

FBGRU

FB 1589.67

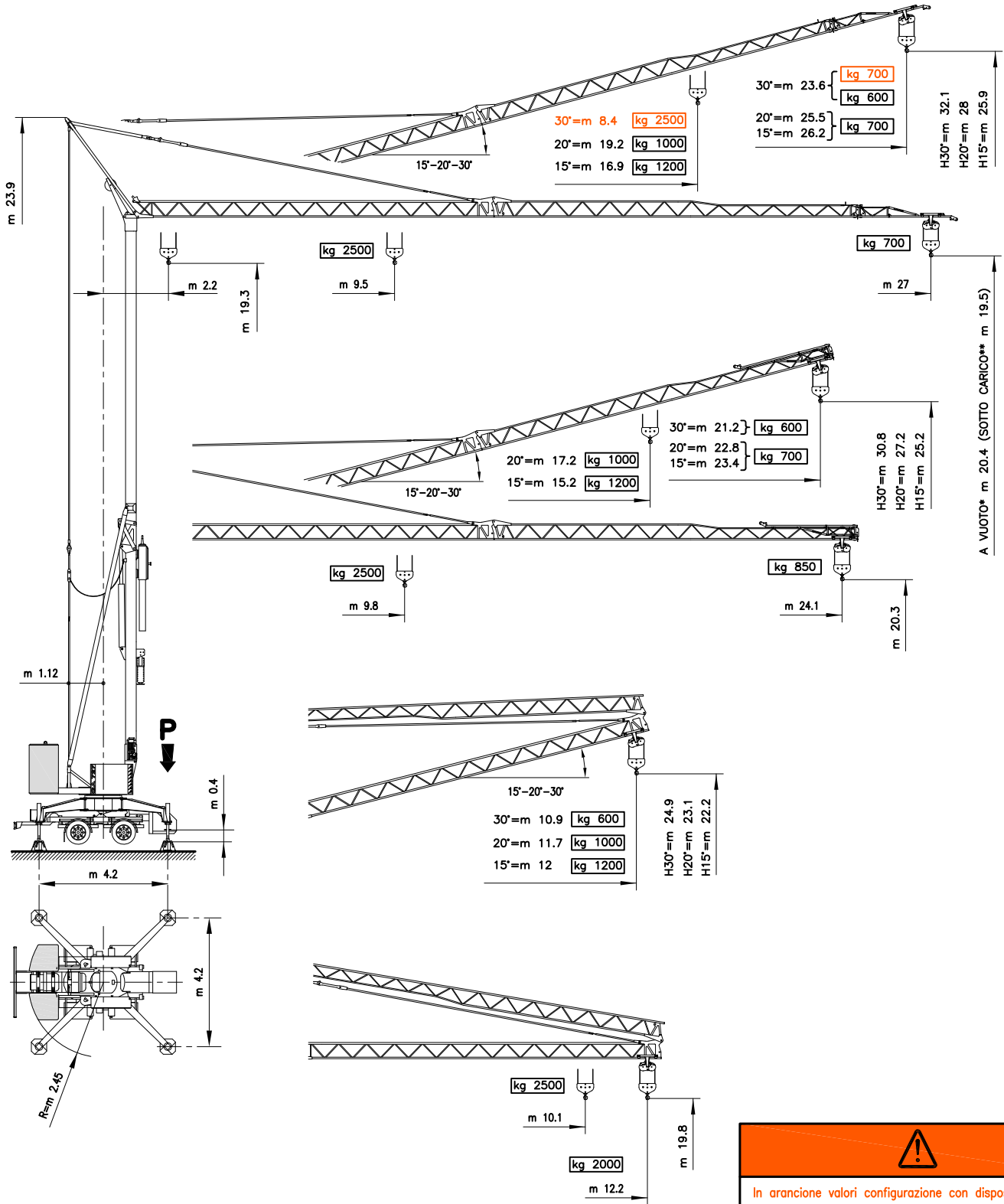
(GA727)



C L S
CREATIVE LIFTING SERVICES

Creative Lifting Services Inc.

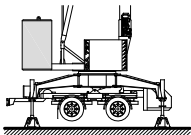
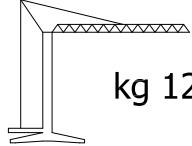
303-659-8102 creativelifting.com



* SIN CARGA OFF-LOAD UNBELASTET A VIDE
 ** CARGADO LOADED BELASTET EN CHARGE

!
 In arancione valori configurazione con dispositivo per 30°
 En valores de configuración naranja con dispositivo para 30°
 In orange, configuration values with device for 30°
 In orange, Konfigurationswerte mit Einrichtung für 30°
 En rouge le valeurs de configuration avec dispositif pour 30°

P	
kg 14780 <i>In servizio</i> En servicio In service In betrieb En service	kg 14380 <i>Fuori servizio</i> Fuera de servicio Out of service Außer betrieb Hors service

E	
	N° 2x4100 kg 21000
	kg 12800

MOVIMENTO MOVIMIENTO MOVEMENT BEWEGUNG MOUVEMENT	ALIMENTAZIONE ALIMENTACION OPERATING VOLTAGE BETRIEBSSPANNUNG TENSION DE SERVICE	PRESTAZIONI FUNCIONAMIENTOS PERFORMANCES LEISTUNGEN EXÉCUTIONS	
---	---	---	--

SOLLEVAMENTO ELEVACION – HOISTING HEBEN – LEVAGE INVERTER	230 V 50 Hz	3 kW	1 ^a m/1' - kg	2 ^a m/1' - kg	3 ^a m/1' - kg	4 ^a m/1' - kg	kW 9.2		
			3.2 ↑ 6 ↓	8 ↑ 11 ↓	19 ↑ 20 ↓				
	2500		2500		700				
	400 V 50 Hz	6 kW	3.2 ↑ 6 ↓	8 ↑ 11 ↓	30 ↑ 32 ↓				
			2500		2500			700	
			3.2 ↑ 6 ↓	21 ↑ 25 ↓	39 ↑ 42 ↓	46 ↑ 50 ↓			
		2500		2500		700		600	

CARRELLO CARRILLO – JIB TROLLEY LAUFKATZE – DISTRIBUTION INVERTER	230 - 400 V 50 Hz	1 ^a m/1'	2 ^a m/1'	3 ^a m/1'	kW 2.2
		15	23	41	

ROTAZIONE ROTACION – SLEWING DREHEN – ORIENTATION INVERTER	230 - 400 V 50 Hz	1 ^a g/1'	2 ^a g/1'	3 ^a g/1'	kW 2.2
		0 → 0.19	0.19 → 0.47	0.47 → 0.87	



Conforme alle direttive
CEE sul livello acustico
2000/14/CE

Conforme con las directivas
CEE sobre el nivel acustico

In compliance with the EEC
instructions on noise levell

Gemass EWG-Richtlinien für
den Schall-Leistungspegel

Conforme aux directives CEE
sur le niveau acoustique

CURVE DI CARICO

CURVAS DE CARGAS – LOAD DIAGRAMS

LASTKURVEN – COURBES DE CHARGES

V27

 2.5°	m	2.2	5	9.5	11	13	15	17	19	21	23	24.1	25	27
	kg	2500			2085	1707	1438	1237	1082	957	856	808	771	700
 15°	m	2.2	5	8	11	13	15	16.9	19	21	23	24	25	26.2
	kg	1200							1043	923	825	778	743	700
 20°	m	2.2	5	8	11	13	15	17	19.2	21	23	24	25	25.5
	kg	1000									893	797	756	718
 30°	m	2.2	5	7	9	11	13	15	17	19	20	21	22	23.6
	kg	600												
 30°	m	2.2	5	7	8.4	11	13	15	17	19	20	21	22	23.6
	kg	2500				1790	1462	1229	1055	919	863	811	765	700

POTENZA RICHIESTA

POTENCIA-ELECTRICA NECESARIA – NECESSARY ELECTRIC POWER

KRAFTBEDARF – PUISSANCE ELECTRIQUE NECESSAIRE

	3 kW	6 kW	12 kW
	230 V - 50 Hz	230 V - 50 Hz	400 V - 50 Hz

GA 727D80 - 2500

Con riserva di modifiche
documento commerciale
non vincolante

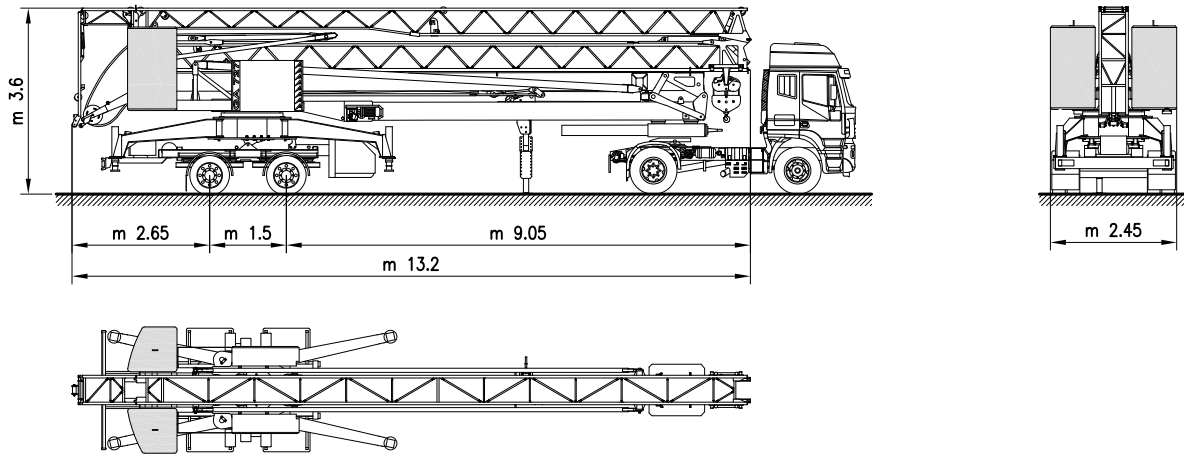
Derecho de modificaciones reservadas
documento commercial no contractual

Subject to change without notice
commercial document not legally
binding

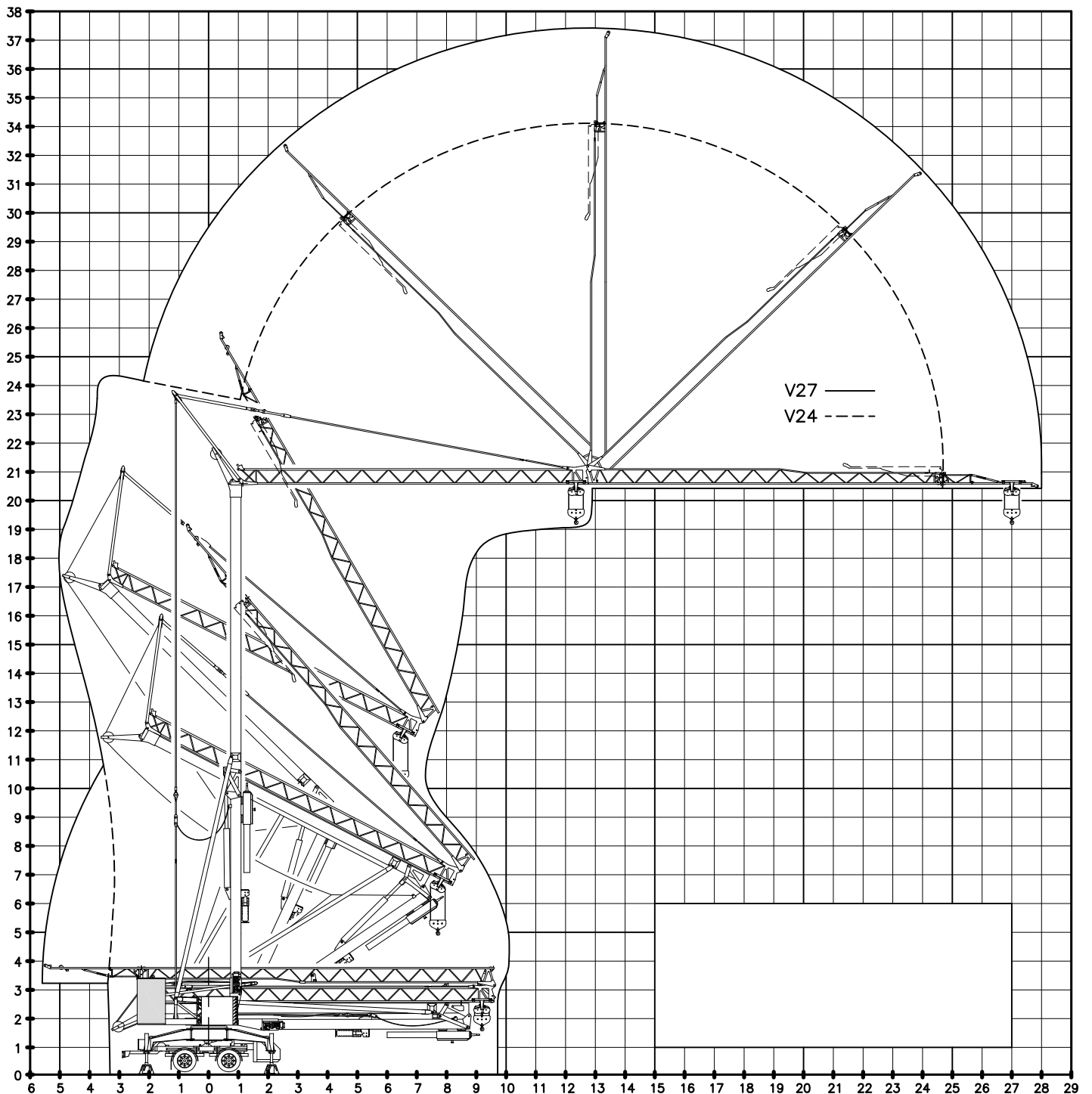
Anderungen vorbehalten
Unverbindliches
Vertriebsdokument

Modifications réservées
document commercial
non contractuel

TRASPORTO TRANSPORTE — TRANSPORT
TRANSPORT — TRANSPORT



MONTAGGIO MONTAJE — ERECTION
MONTAGE — MONTAGE



FBGRU

FB 1589.67 (GA727)

1,545 lb, 89' / 67'

Hydraulic Outriggers



fully self-contained permanent ballast



Creative Lifting Services Inc.

303-659-8102 creativelifting.com