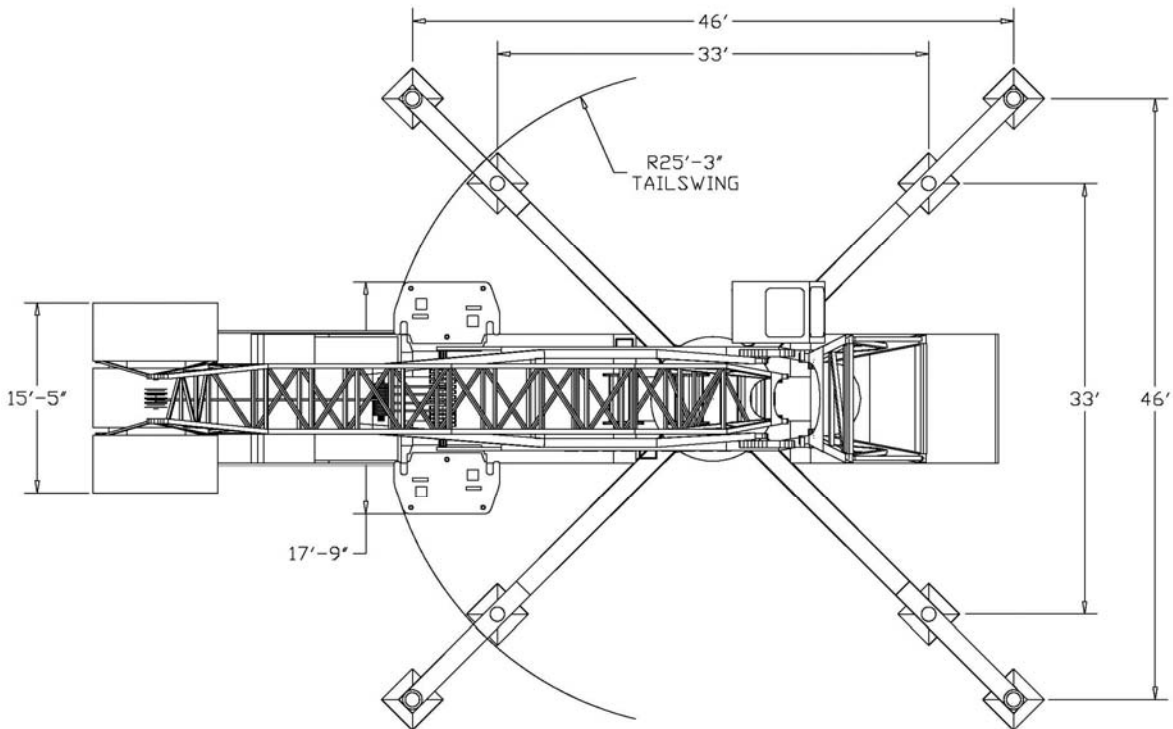
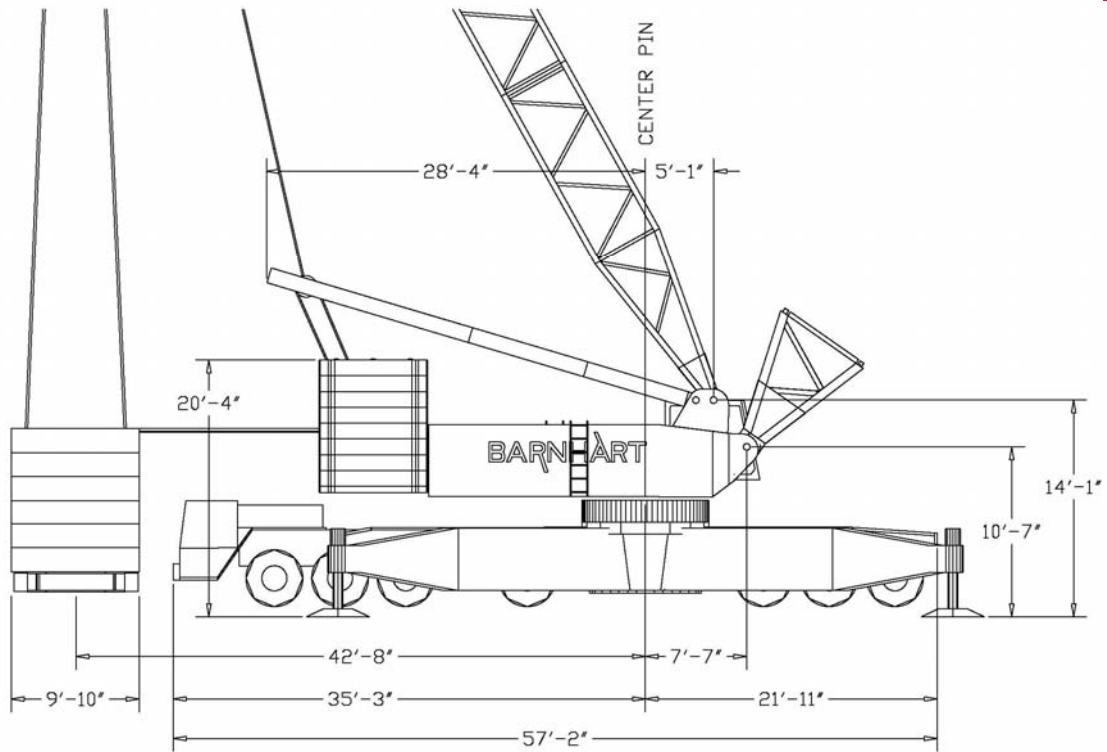


Demag TC3000

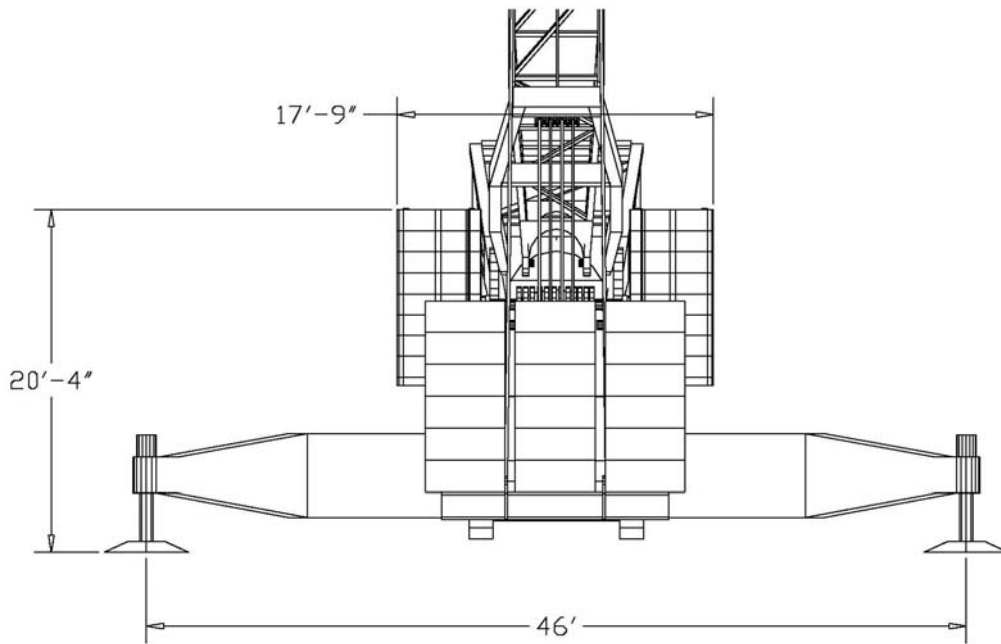
550T

BARNHART



Demag TC3000

550T



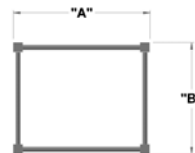
Demag TC3000

550T

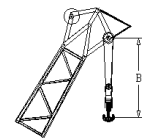
Component Weights	
Weight of counterweighted Machine with 39' (12m) boom	649,000 lbs
Superstructure only (with 4 drums, boom foot section and mast)	127,000 lbs
Truck Carrier	86,000 lbs
Outrigger (per unit)	19,000 lbs
Basic Counterweight	328,800 lbs
Superlift Counterweight (max)	536,800 lbs

Cables	Line Pull	Diameter
Main Hoist	28,000 lbs	28 mm
Aux Hoist	28,000 lbs	28 mm

Boom	"A"	"B"
Main	9'-9"	7'-10"
Luffer	7'-6"	5'-11"
Mast	7'-6"	5'-11"



Hook-Block Capacity	Number of Sheaves	Weight	"B"
550T	2 x 11	20,800 lbs	15'
330T	14	11,243 lbs	11'
122T	6	4,938 lbs	8'
35T	1	2,557 lbs	6'



Symbols & Notes



Crawler Crane



Truck Crane



Ring Mounted Crane



Main Counterweight



Main Boom



Main Boom with Luffing Jib



Tower Configuration



Superlift Attachment with Tray

General Use Notes

1. Capacity charts represent capacities for normal use. Additional load cases, special configurations and engineered lifts are available. Consult Barnhart engineering.
2. All cranes have wind speed restrictions available in the operating manual.
3. Capacities assume level and suitable ground conditions
4. Load block, rigging and other lifting devices are considered part of the lifted load.
5. Some long boom configurations require an assist crane for erection. Consult Barnhart.

Demag TC3000

BARNHART



46' x 46'



163 Tons



Lift Radius (ft)	Lift Capacity (Tons)							
	Main Boom (ft)							
	59'	79'	98'	118'	138'	157'	177'	197'
18	553.4	-	-	-	-	-	-	-
19	503.0	447.8	447.8	-	-	-	-	-
23	418.9	415.6	413.4	385.8	-	-	-	-
26	361.6	359.4	357.2	355.0	352.8	342.8	-	-
29	325.0	323.1	321.9	319.8	317.6	315.6	315.4	313.0
33	283.9	281.7	280.6	278.4	276.2	274.0	272.9	270.7
39	236.6	234.4	232.2	231.1	228.9	226.7	225.6	223.3
46	197.0	194.8	192.6	191.5	189.3	187.1	186.0	184.1
52	172.8	170.6	168.4	166.3	164.1	162.9	161.8	159.6
59	129.3	147.8	145.6	144.5	142.3	140.1	139.0	136.8
65	-	132.7	130.5	129.4	127.2	125.0	123.9	121.7
72	-	111.8	116.1	115.0	112.8	110.5	109.4	107.2
79	-	-	105.5	103.2	101.0	98.7	97.6	95.5
85	-	-	98.4	94.1	93.0	88.6	87.5	86.4
92	-	-	91.3	84.7	83.6	79.2	78.1	77.0
98	-	-	-	77.6	76.5	72.1	71.0	69.9
111	-	-	-	67.6	63.3	58.8	57.8	56.7
124	-	-	-	-	54.4	50.0	47.9	46.8
138	-	-	-	-	-	44.0	40.7	39.5
151	-	-	-	-	-	-	37.4	34.1
164	-	-	-	-	-	-	-	28.6
177	-	-	-	-	-	-	-	25.3

Lift Radius (ft)	Lift Capacity (Tons)		
	Main Boom (ft)		
	216'	236'	256'
33	269.6	247.1	-
39	222.2	219.9	219.2
46	182.7	181.6	180.5
52	158.5	157.3	156.3
59	135.7	134.6	133.5
65	120.6	119.5	118.4
72	106.1	105.0	103.9
79	94.4	93.3	92.2
85	85.3	84.2	83.1
92	77.0	74.8	73.6
98	69.9	67.7	66.6
111	56.7	54.5	53.4
124	46.8	44.6	43.5
138	39.5	36.2	35.1
151	33.0	30.8	28.7
164	27.5	25.4	24.3
177	23.2	22.1	20.6
190	19.9	19.1	17.1
203	-	15.6	14.1
216	-	-	11.6
229	-	-	9.4

Demag TC3000



46' x 46'



163 Tons



Lift Radius (ft)	Lift Capacity (Tons)				
	Main Boom (ft)				
	216	236	256	275	295
32	263.1	-	-	-	-
39	217.7	216.9	187.8	-	-
46	181.5	179.4	179.4	160.8	132.2
53	156.3	156.2	155.2	152.7	132.2
59	134.6	133.5	133.5	132.4	132.2
66	119.5	119.4	119.4	118.3	117.3
72	107.1	105.0	105.0	103.9	102.8
79	94.4	94.4	93.3	92.2	92.2
85	86.3	85.3	85.2	84.1	84.1
92	78.1	77.0	77.0	75.9	75.9
98	71.0	70.9	70.9	69.8	69.8
112	58.9	58.9	58.9	57.8	57.8
125	49.0	49.0	49.0	47.9	47.9
138	40.7	40.6	40.6	39.5	39.5
151	35.2	34.1	34.1	34.1	33.0
164	29.8	29.7	29.7	28.6	28.6
177	26.4	25.4	25.4	24.3	24.3
190	23.5	21.0	22.1	21.0	20.0
203	-	18.8	18.8	17.7	17.4
217	-	-	16.4	14.4	15.2
230	-	-	14.6	12.2	13.3

Note: Long range boom combination SH/LH

Demag TC3000



33' x 33'



163 Tons



Lift Radius (ft)	Lift Capacity (Tons)							
	Main Boom (ft)							
	59	79	96	118	138	157	177	197
18	330.7	-	-	-	-	-	-	-
19	329.4	367.2	-	-	-	-	-	-
23	313.1	347.0	374.8	385.8	-	-	-	-
26	299.8	333.9	358.4	355.0	352.8	332.7	-	-
29	288.5	318.1	320.1	317.1	314.9	307.5	310.7	279.1
33	276.7	275.0	270.7	267.9	263.5	259.1	255.8	252.0
39	223.6	223.6	221.3	216.9	214.5	212.2	206.8	205.6
46	172.7	172.7	169.4	167.2	165.0	162.8	159.5	156.2
52	142.4	142.4	139.1	136.9	134.7	132.5	130.2	127.9
59	117.0	117.0	112.6	110.4	108.2	107.1	106.0	104.9
65	-	100.8	96.4	96.2	94.0	92.9	90.8	89.7
72	-	87.4	85.1	80.8	78.6	77.5	76.4	75.3
79	-	-	74.6	71.3	69.1	68.0	66.9	65.7
85	-	-	66.5	64.2	62.0	60.9	59.8	57.7
92	-	-	59.3	57.2	53.9	52.7	51.6	50.5
98	-	-	-	52.1	49.8	47.7	46.6	44.5
111	-	-	-	42.3	40.1	38.9	37.8	35.6
124	-	-	-	-	33.4	32.3	30.1	29.0
138	-	-	-	-	-	25.4	23.2	21.9
151	-	-	-	-	-	-	20.2	17.6
164	-	-	-	-	-	-	-	15.5
177	-	-	-	-	-	-	-	13.0

Lift Radius (ft)	Lift Capacity (Tons)	
	Main Boom (ft)	
	216	236
33	220.5	-
39	191.3	177.8
46	154.0	149.6
52	125.7	124.4
59	103.7	100.5
65	89.6	87.3
72	75.3	73.1
79	63.6	62.4
85	56.5	54.4
92	49.4	48.3
98	43.4	42.3
111	33.4	32.3
124	25.7	24.6
138	21.1	20.0
151	17.3	16.1
164	14.2	13.0
177	11.8	10.5
190	9.7	8.1

Demag TC3000



46' x 46'



163 Tons

88°



Main Boom (ft)	Lift Radius (ft)	Lift Capacity (Tons)									
		Luffing Jib (ft)									
		79'	98'	118'	138'	157'	177'	197'	216'	236'	256'
98'	39'	209.4	-	-	-	-	-	-	-	-	-
	46'	180.8	176.3	-	-	-	-	-	-	-	-
	52'	157.2	154.7	149.9	129.1	-	-	-	-	-	-
	59'	136.8	133.5	131.3	129.1	103.9	-	-	-	-	-
	65'	123.7	120.4	118.1	114.9	103.9	82.6	-	-	-	-
	72'	110.5	107.2	105.0	102.8	100.4	82.6	69.4	-	-	-
	79'	100.3	98.1	94.8	92.6	90.4	82.6	69.4	-	-	-
	85'	91.9	89.6	87.8	84.1	83.0	81.6	69.4	-	-	-
	92'	83.8	81.5	80.4	78.2	76.0	73.7	69.4	-	-	-
	98'	-	76.4	74.2	72.0	69.8	68.7	67.3	-	-	-
	111'	-	-	64.3	62.2	59.9	58.8	57.7	-	-	-
	124'	-	-	54.5	53.3	52.2	50.0	48.9	-	-	-
	138'	-	-	-	46.3	44.1	42.9	43.0	-	-	-
	151'	-	-	-	-	38.6	38.5	36.4	-	-	-
164'	-	-	-	-	34.1	34.1	33.0	-	-	-	
177'	-	-	-	-	-	29.8	28.7	-	-	-	
190'	-	-	-	-	-	-	25.4	-	-	-	
203'	-	-	-	-	-	-	23.2	-	-	-	
118'	39'	194.0	-	-	-	-	-	-	-	-	-
	46'	177.4	174.1	-	-	-	-	-	-	-	-
	52'	155.0	151.3	145.5	-	-	-	-	-	-	-
	59'	134.6	131.3	129.0	121.2	95.9	-	-	-	-	-
	65'	120.5	119.1	115.9	113.5	95.9	77.1	-	-	-	-
	72'	108.3	105.0	103.9	100.6	95.9	77.1	66.1	-	-	-
	79'	98.1	95.9	92.6	91.5	89.3	77.1	66.1	-	-	-
	85'	89.6	87.4	86.2	84.1	81.9	77.1	66.1	-	-	-
	92'	82.6	80.4	78.2	76.0	73.8	72.7	66.1	-	-	-
	98'	-	75.3	73.1	70.9	69.7	67.6	65.1	-	-	-
	111'	-	-	63.2	61.0	59.9	58.7	56.5	-	-	-
	124'	-	-	54.4	52.2	51.1	50.0	47.8	-	-	-
	138'	-	-	-	46.3	44.1	43.0	41.9	-	-	-
	151'	-	-	-	-	37.5	37.5	36.4	-	-	-
164'	-	-	-	-	34.1	33.0	31.9	-	-	-	
177'	-	-	-	-	-	29.7	28.7	-	-	-	
190'	-	-	-	-	-	-	25.4	-	-	-	
203'	-	-	-	-	-	-	23.2	-	-	-	

Demag TC3000



46' x 46'



163 Tons

88°



Main Boom (ft)	Lift Radius (ft)	Lift Capacity (Tons)									
		Luffing Jib (ft)									
		79'	98'	118'	138'	157'	177'	197'	216'	236'	256'
138	39'	185.2	-	-	-	-	-	-	-	-	-
	46'	174.1	164.2	-	-	-	-	-	-	-	-
	52'	151.7	149.1	136.7	-	-	-	-	-	-	-
	59'	132.4	129.1	126.8	113.5	89.3	-	-	-	-	-
	65'	118.3	116.9	113.7	111.2	89.3	71.6	-	-	-	-
	72'	106.1	103.9	101.7	99.5	89.3	71.6	63.9	-	-	-
	79'	95.9	93.7	92.6	89.3	87.1	71.6	63.9	-	-	-
	85'	88.5	86.3	84.1	81.9	79.7	71.6	63.9	-	-	-
	92'	81.5	79.3	77.1	76.0	73.8	71.6	63.9	-	-	-
	98'	-	73.1	72.0	69.8	67.6	65.4	63.9	-	-	-
	111'	-	63.2	62.1	60.9	58.7	56.5	55.4	-	-	-
	124'	-	-	53.3	51.2	50.0	48.8	47.7	-	-	-
	138'	-	-	-	45.2	43.0	41.9	40.8	-	-	-
	151'	-	-	-	-	37.5	37.5	35.2	-	-	-
164'	-	-	-	-	33.0	31.9	31.9	-	-	-	
177'	-	-	-	-	-	28.7	27.6	-	-	-	
190'	-	-	-	-	-	-	25.4	-	-	-	
203'	-	-	-	-	-	-	23.2	-	-	-	
157'	46'	167.5	-	-	-	-	-	-	-	-	-
	52'	167.5	148.1	-	-	-	-	-	-	-	-
	59'	147.7	146.6	126.7	-	-	-	-	-	-	-
	65'	130.0	126.7	124.5	105.8	-	-	-	-	-	-
	72'	115.7	113.5	110.2	105.8	83.8	65.0	-	-	-	-
	79'	104.7	101.4	99.2	97.0	83.8	68.3	59.5	-	-	-
	85'	93.7	92.6	90.4	87.1	83.8	68.3	59.5	-	-	-
	92'	87.1	83.8	81.5	80.4	78.2	68.2	59.5	-	-	-
	98'	79.3	77.1	76.0	73.8	71.6	65.2	59.5	-	-	-
	111'	-	71.6	69.4	67.2	66.1	65.0	59.5	-	-	-
	124'	-	62.8	60.6	58.4	56.2	56.2	54.0	-	-	-
	138'	-	-	52.9	50.7	48.5	47.4	46.3	-	-	-
	151'	-	-	-	44.1	43.0	41.9	40.8	-	-	-
	164'	-	-	-	-	37.5	36.4	35.2	-	-	-
177'	-	-	-	-	33.0	31.9	30.8	-	-	-	
190'	-	-	-	-	-	28.6	27.5	-	-	-	
203'	-	-	-	-	-	-	24.2	-	-	-	
216'	-	-	-	-	-	-	22.0	-	-	-	

Demag TC3000



46' x 46'



163 Tons



88°

Main Boom (ft)	Lift Radius (ft)	Lift Capacity (Tons)												
		Luffing Jib (ft)												
		79'	98'	118'	138'	157'	177'	197'	216'	236'	256'			
177'	46'	148.8	130.0	-	-	-	-	-	-	-	-	-	-	-
	52'	145.7	130.4	116.8	-	-	-	-	-	-	-	-	-	-
	59'	126.9	124.6	116.9	97.0	-	-	-	-	-	-	-	-	-
	65'	114.7	111.5	108.8	97.2	79.3	66.1	-	-	-	-	-	-	-
	72'	102.8	99.5	97.3	94.8	79.3	66.1	55.1	-	-	-	-	-	-
	79'	92.6	90.4	88.2	86.0	79.3	66.1	55.1	-	-	-	-	-	-
	85'	85.2	83.0	80.8	78.6	76.2	66.1	55.1	-	-	-	-	-	-
	92'	78.2	76.0	73.8	71.6	70.5	66.1	55.1	-	-	-	-	-	-
	98'	-	70.9	68.7	67.5	65.3	63.0	55.1	-	-	-	-	-	-
	111'	-	61.0	58.8	57.7	56.5	54.3	53.0	-	-	-	-	-	-
	124'	-	-	52.1	50.0	48.8	47.7	46.6	-	-	-	-	-	-
	138'	-	-	-	43.0	41.9	40.8	40.8	-	-	-	-	-	-
	151'	-	-	-	38.6	36.4	36.4	35.2	-	-	-	-	-	-
	164'	-	-	-	-	33.0	31.9	30.8	-	-	-	-	-	-
177'	-	-	-	-	-	28.7	27.6	-	-	-	-	-	-	
190'	-	-	-	-	-	-	24.3	-	-	-	-	-	-	
203'	-	-	-	-	-	-	22.1	-	-	-	-	-	-	
197'	46'	137.8	126.7	-	-	-	-	-	-	-	-	-	-	-
	52'	137.8	126.7	115.7	-	-	-	-	-	-	-	-	-	-
	59'	125.7	123.5	115.8	93.7	-	-	-	-	-	-	-	-	-
	65'	113.6	110.4	107.7	93.7	77.1	-	-	-	-	-	-	-	-
	72'	101.7	98.4	96.2	93.7	77.1	63.9	52.9	-	-	-	-	-	-
	79'	91.5	89.3	87.1	84.9	77.1	63.9	52.9	49.6	-	-	-	-	-
	85'	83.8	81.5	79.3	77.1	74.9	63.9	52.9	49.6	49.6	49.6	-	-	-
	92'	78.2	74.9	72.7	70.5	69.4	63.9	52.9	49.6	49.6	49.6	47.4	-	-
	98'	-	69.8	67.6	66.4	64.2	61.8	52.9	49.6	49.6	49.6	47.4	-	-
	111'	-	59.9	57.7	56.6	55.4	53.2	51.8	49.6	49.6	49.6	47.4	-	-
	124'	-	-	51.0	48.8	47.7	46.6	45.5	45.2	45.2	45.2	44.1	-	-
	138'	-	-	-	41.9	41.8	40.7	39.7	38.6	38.6	38.6	37.5	-	-
	151'	-	-	-	37.5	35.2	35.2	34.1	34.1	34.1	34.1	33.0	-	-
	164'	-	-	-	-	31.9	30.8	29.7	29.7	29.7	29.7	28.6	-	-
	177'	-	-	-	-	-	27.6	26.4	26.4	26.4	26.4	25.3	-	-
	190'	-	-	-	-	-	-	23.2	23.2	23.2	23.1	23.1	-	-
203'	-	-	-	-	-	-	21.0	21.0	21.0	21.0	20.9	-	-	
216'	-	-	-	-	-	-	-	18.8	18.7	18.7	18.7	-	-	
230'	-	-	-	-	-	-	-	-	-	-	16.5	-	-	

Demag TC3000



46' x 46'



163 Tons



13m

Main Boom (ft)	Lift Radius (ft)	Lift Capacity (Tons)						
		Superlift Ballast (Tons)						
		55	110	165	193	220	248	
98 ft	23	433.2	496.0	-	-	-	-	-
	26	372.6	444.2	496.0	-	-	-	-
	29	331.8	404.8	445.8	-	-	-	-
	33	289.4	352.7	408.9	440.9	-	-	-
	39	240.0	293.5	345.5	388.9	409.9	431.1	444.0
	46	199.2	243.2	288.4	330.2	348.9	366.6	385.3
	52	174.0	213.0	252.1	290.9	308.6	325.2	341.9
	59	151.2	185.4	219.6	253.8	270.3	285.8	300.1
	66	135.0	166.2	197.3	228.5	244.1	258.5	272.8
	72	120.5	148.1	175.8	204.5	217.8	232.1	245.4
	79	106.5	134.0	159.3	184.5	196.6	209.6	214.9
85	97.4	122.9	147.2	170.4	181.5	188.4	171.9	
92	88.0	113.3	134.2	156.2	161.6	149.9	154.3	
118 ft	23	431.0	-	-	-	-	-	-
	26	370.4	444.3	-	-	-	-	-
	29	329.7	394.6	446.2	-	-	-	-
	33	287.2	350.5	406.7	440.9	-	-	-
	39	238.8	291.3	343.3	386.8	407.7	428.8	444.1
	46	198.1	242.1	286.1	328.0	346.7	365.4	383.1
	52	171.9	210.9	249.9	288.7	307.4	323.1	339.7
	59	148.9	183.2	217.4	251.6	268.1	284.7	299.0
	66	133.8	164.0	195.1	226.3	241.9	257.4	270.7
	72	117.2	145.9	174.6	202.3	215.6	229.9	243.2
	79	104.3	131.8	157.1	182.3	195.5	207.6	220.8
85	95.2	121.7	145.0	168.2	180.4	191.5	203.6	
92	85.8	111.1	132.0	154.1	165.1	176.1	186.0	
98	78.7	103.0	123.0	144.0	154.0	164.0	173.9	
111	65.5	89.8	107.5	125.3	134.2	135.6	124.5	
138 ft	26	368.1	444.5	-	-	-	-	-
	29	327.7	401.1	446.6	-	-	-	-
	33	285.0	347.5	404.5	440.9	-	-	-
	39	236.6	289.1	341.1	384.7	405.5	426.6	444.2
	46	195.9	239.9	283.9	325.8	344.5	363.2	380.9
	52	170.7	208.7	247.7	286.5	305.2	320.9	337.5
	59	146.8	181.0	215.2	249.4	265.9	282.5	296.8
	65	131.6	162.8	192.9	224.1	239.7	255.2	268.5
	72	115.0	144.8	172.4	200.1	213.4	227.7	242.0
	79	102.0	129.6	154.9	180.1	193.3	205.4	218.6
	85	92.0	119.5	142.8	166.0	178.2	189.3	201.4
92	83.6	108.9	129.8	151.8	162.8	173.8	184.8	
98	76.5	100.8	120.8	141.8	151.8	161.8	171.7	
111	63.3	87.6	105.3	123.1	132.0	140.8	149.7	
124	53.4	76.6	92.1	108.7	116.5	124.3	127.9	

Demag TC3000



46' x 46'



163 Tons



13m



Main Boom (ft)	Lift Radius (ft)	Lift Capacity (Tons)						
		Superlift Ballast (Tons)						
		55	110	165	193	220	248	
157 ft	26	365.9			-	-	-	-
	29	326.4	398.2		-	-	-	-
	33	283.9	346.4	402.3	439.1	-	-	-
	39	234.5	286.9	334.0	382.6	403.3	424.4	444.3
	46	193.7	237.7	281.1	324.7	342.3	361.0	379.8
	52	168.5	207.5	240.3	285.4	303.0	319.7	335.4
	59	145.6	179.8	207.2	247.2	264.8	280.3	294.6
	65	129.5	160.7	181.9	222.9	237.6	253.0	267.3
	72	112.8	142.6	160.9	197.9	212.2	225.5	239.9
	79	99.8	128.4	144.4	179.0	191.1	204.3	216.4
	85	89.8	117.4	131.2	163.9	176.0	188.2	199.2
	92	80.3	106.7	119.0	149.6	160.6	171.6	182.7
	98	74.2	98.6	109.1	139.6	149.6	159.5	170.6
	112	62.2	85.4	93.7	120.9	129.8	138.6	147.5
125	52.3	74.4	80.4	106.5	114.3	122.1	130.9	
138	43.9	64.9	71.6	93.5	101.2	107.8	115.5	
177 ft	29	325.5	392.0	-	-	-	-	-
	33	281.7	345.3	384.3	-	-	-	-
	39	233.3	285.8	336.9	381.1	388.3	-	-
	46	192.6	236.6	280.6	323.6	341.2	359.9	370.4
	52	167.4	206.4	245.4	284.3	301.9	317.6	328.5
	59	143.4	177.7	211.9	246.1	263.7	279.1	291.0
	65	128.3	159.5	190.6	220.8	236.4	251.9	261.2
	72	111.7	141.5	169.2	196.8	211.1	224.4	235.9
	79	98.7	126.3	151.6	176.8	190.0	202.1	214.9
	85	88.6	116.2	139.5	162.7	174.9	186.0	196.2
	92	79.2	105.6	127.6	148.5	159.5	170.5	179.7
	98	72.1	97.5	117.5	138.5	148.5	158.4	165.3
	111	60.0	84.3	102.0	119.8	128.7	137.5	141.1
	124	51.1	73.3	88.8	105.4	113.2	121.0	123.4
138	42.8	63.8	78.1	92.4	99.0	106.7	108.0	
151	36.3	56.1	69.3	82.6	89.2	95.5	93.7	
197 ft	33	280.6	329.2	-	-	-	-	-
	39	231.2	282.8	335.3	-	-	-	-
	46	190.4	234.4	279.5	321.4	330.3	-	-
	52	165.2	204.2	243.3	282.1	299.1	315.8	331.3
	59	142.3	176.5	210.8	245.0	261.5	276.9	291.3
	65	126.2	157.4	188.5	219.7	235.2	249.7	264.0
	72	110.6	139.3	166.9	194.6	209.0	223.3	236.5
	79	96.5	125.1	150.4	175.7	187.8	201.0	213.1
	85	86.4	114.1	137.3	161.6	172.7	184.9	195.9
	92	77.0	103.4	125.4	146.3	157.3	168.3	179.4
	98	69.9	95.3	116.3	136.3	146.2	156.2	167.3
	111	57.8	82.1	99.9	117.6	126.4	135.3	144.2
	124	48.9	71.1	86.6	103.2	111.0	118.8	126.5
	138	40.7	61.6	75.9	90.2	97.9	104.5	112.2
151	35.2	53.9	67.2	80.4	87.0	93.6	100.2	
164	29.7	47.4	60.6	72.7	79.3	84.9	90.4	
177	26.4	41.9	55.1	66.2	71.7	77.2	82.7	

Demag TC3000



46' x 46'



163 Tons



13m



Main Boom (ft)	Lift Radius (ft)	Lift Capacity (Tons)						
		Superlift Ballast (Tons)						
		55	110	165	193	220	248	
216 ft	33	274.5	286.6	-	-	-	-	-
	39	229.1	281.4	298.6	-	-	-	-
	46	189.3	233.3	278.4	297.4	-	-	-
	52	164.1	203.1	242.1	179.2	298.0	299.2	-
	59	141.2	175.4	209.7	243.9	260.4	275.7	290.1
	66	125.1	156.3	187.4	218.6	234.1	248.6	262.9
	72	109.5	138.2	165.8	193.5	207.9	222.2	235.4
	79	96.5	124.0	149.3	174.6	186.7	199.9	212.0
	85	86.4	113.0	136.2	160.5	171.6	183.8	194.8
	92	77.0	102.3	124.3	146.3	156.2	167.2	178.3
	98	69.9	95.3	115.2	135.2	145.1	155.1	166.2
	112	57.8	81.0	98.8	116.5	125.3	134.2	143.1
	125	47.9	70.0	85.5	102.1	109.9	117.6	125.4
	138	39.5	60.5	74.8	89.1	95.7	103.4	110.0
	151	34.1	52.8	66.1	79.3	85.9	92.5	99.1
	164	28.6	46.3	59.5	71.6	77.1	83.8	89.3
177	24.3	40.8	54.0	65.1	70.6	76.1	81.6	
190	21.6	36.4	48.6	58.5	64.0	69.5	75.1	
236 ft	33	253.5	-	-	-	-	-	-
	39	228.0	266.3	-	-	-	-	-
	46	188.2	232.2	264.2	-	-	-	-
	52	163.0	202.0	240.0	266.3	-	-	-
	59	140.1	174.3	208.5	241.6	259.3	264.7	-
	65	124.0	155.1	186.3	217.4	232.0	246.5	260.2
	72	108.4	137.1	164.7	192.4	206.7	220.0	234.3
	79	95.4	122.5	148.2	173.5	185.6	198.8	210.9
	85	85.3	101.3	135.1	158.3	170.5	182.7	193.7
	92	75.9	101.2	123.2	144.1	155.1	166.1	177.1
	98	68.8	93.1	114.1	134.1	144.0	154.0	164.0
	111	55.6	79.9	97.7	115.4	124.2	133.1	142.0
	124	46.7	68.9	84.4	101.0	108.8	116.5	124.3
	138	38.4	59.3	73.7	88.0	94.6	102.3	108.9
	151	31.9	50.6	64.9	78.2	84.8	91.4	98.0
	164	26.4	44.1	58.4	70.5	76.0	81.6	88.2
177	23.1	38.6	51.8	62.9	68.4	73.9	79.4	
190	19.8	34.2	47.4	57.4	62.9	67.3	72.9	
203	16.8	29.9	43.1	51.9	57.4	61.9	67.4	

Demag TC3000



46' x 46'



163 Tons



13m



Main Boom (ft)	Lift Radius (ft)	Lift Capacity (Tons)						
		Superlift Ballast (Tons)						
		55	110	165	193	220	248	
256 ft	39	222.3	220.2	-	-	-	-	-
	46	187.1	220.2	-	-	-	-	-
	52	161.9	200.0	221.5	-	-	-	-
	59	139.0	172.1	206.2	220.5	-	-	-
	65	122.9	153.9	185.1	213.4	221.9	-	-
	72	107.3	136.0	163.6	191.3	205.4	218.8	220.7
	79	93.3	120.8	146.0	171.3	184.5	196.6	209.8
	85	84.2	110.7	133.9	157.2	169.4	181.5	192.6
	92	73.6	100.1	122.1	143.0	154.0	165.0	176.0
	98	66.6	92.0	113.0	132.9	142.9	152.9	162.9
	111	54.5	78.8	96.5	114.3	123.1	132.0	140.9
	124	44.6	67.8	83.3	98.9	107.7	115.4	123.2
	138	36.2	58.2	72.6	86.9	93.5	101.2	107.8
	151	30.8	49.5	63.8	77.1	83.7	90.3	96.9
	164	25.3	43.0	56.2	68.3	74.9	80.5	87.1
	177	21.6	37.5	50.7	61.8	67.3	72.8	78.3
190	18.0	33.1	45.3	56.3	60.7	66.2	71.7	
203	14.9	28.8	40.9	50.8	56.3	60.8	65.2	
216	12.4	25.4	37.6	46.4	50.9	55.3	59.7	
229	10.1	22.2	34.3	43.1	47.5	50.9	55.3	
275 ft	46	184.9	198.3	-	-	-	-	-
	52	159.7	196.3	198.4	-	-	-	-
	59	136.8	171.0	198.4	-	-	-	-
	65	121.7	151.8	182.4	199.2	-	-	-
	72	106.2	133.8	162.5	189.8	196.5	-	-
	79	92.2	119.6	144.9	170.2	182.3	193.4	-
	85	83.1	108.5	132.8	156.1	167.2	179.2	191.4
	92	72.5	97.9	119.9	141.9	152.9	162.8	173.8
	98	65.5	90.8	110.8	130.8	140.8	151.8	161.8
	111	53.4	76.6	94.3	112.1	120.9	129.8	138.7
	124	43.5	65.6	81.1	97.7	105.5	113.2	121.0
	138	35.1	56.1	70.4	84.7	92.4	99.0	106.7
	151	28.6	48.4	61.6	74.9	81.5	88.1	94.7
	164	24.2	41.9	55.1	67.2	72.7	79.3	84.9
	177	20.2	36.4	48.5	60.7	66.2	71.7	77.2
	190	16.5	30.9	44.1	54.1	59.6	65.1	69.6
203	13.4	26.5	39.8	49.7	54.1	58.6	64.1	
216	10.6	23.2	35.4	45.3	49.7	54.1	58.6	
229	8.3	20.7	32.1	41.0	45.4	49.8	54.2	
243	6.2	17.9	28.6	37.4	41.8	45.1	49.5	

Demag TC3000



46' x 46'



163 Tons



13m



Main Boom (ft)	Lift Radius (ft)	Lift Capacity (Tons)						
		Superlift Ballast (Tons)						
		55	110	165	193	220	248	
295 ft	46	170.4	-	-	-	-	-	-
	52	157.6	170.9	-	-	-	-	-
	59	135.7	169.7	170.8	-	-	-	-
	65	120.6	150.7	169.8	-	-	-	-
	72	105.1	132.7	161.1	168.6	-	-	-
	79	92.1	118.5	143.8	167.0	-	-	-
	85	82.0	107.4	131.7	154.9	165.9	166.6	-
	92	71.4	96.8	118.8	140.8	151.8	161.7	163.0
	98	64.4	89.7	109.7	129.7	140.7	150.7	159.0
	111	52.3	75.5	93.2	111.0	119.9	128.7	137.6
	124	42.3	64.5	80.0	96.6	104.4	112.1	119.9
	138	34.0	54.9	69.3	83.6	91.3	97.9	105.6
	151	27.5	47.3	60.5	73.8	80.4	87.0	93.6
	164	23.1	40.8	54.0	66.1	71.6	78.2	83.8
	177	18.7	34.2	47.4	59.6	65.1	70.6	76.1
	190	15.1	29.8	43.0	53.0	58.5	63.0	68.5
	203	12.0	25.4	38.7	47.5	53.0	57.4	63.0
	216	9.2	22.1	34.3	43.1	47.6	53.0	57.5
229	6.8	19.2	31.0	39.8	44.2	48.7	52.0	
243		16.2	27.5	36.3	39.6	44.0	48.4	
256		13.8	24.2	33.0	36.3	40.7	44.0	

Demag TC3000



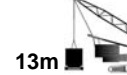
46' x 46'



163 Tons



88°



13m

Main Boom (ft)	Fly Jib (ft)	Lift Radius (ft)	Lift Capacity (Tons)			
			Superlift Ballast (Tons)			
			0	55	110	165
98 ft	79 ft	46	177.4	220.4	-	-
		52	170.2	188.5	211.6	-
		59	147.8	179.6	197.3	-
		65	133.7	163.7	184.1	-
		72	119.4	147.0	166.4	170.8
		79	107.6	132.9	151.8	157.6
		85	99.6	122.8	144.7	143.3
		92	91.3	112.2	134.2	132.3
	118 ft	59	131.3	160.9	176.3	-
		65	131.3	146.8	170.8	-
		72	117.2	144.4	160.9	-
		79	105.4	130.7	148.8	151.0
		85	97.4	120.6	138.6	140.0
		92	89.1	110.0	125.5	128.9
		98	83.1	103.0	120.5	119.0
		111	70.0	89.8	107.4	99.2
	157 ft	124	60.0	78.8	95.4	-
		72	103.2	124.5	-	-
		79	103.2	111.3	122.3	-
		85	95.2	111.3	117.9	-
		92	86.9	108.9	114.6	-
		98	80.9	100.8	111.3	-
		111	68.8	87.6	104.9	-
		124	57.8	76.6	93.2	98.6
	197 ft	138	49.5	68.2	82.5	88.0
		151	44.0	61.6	73.8	77.1
		164	38.6	55.1	67.2	67.2
		85	79.2	89.3	-	-
		92	79.2	87.1	-	-
		98	76.2	83.8	-	-
		112	65.5	79.3	80.4	-
		125	56.6	75.1	79.5	-
	138	48.4	66.0	74.8	-	
	151	41.8	59.4	68.3	-	
	164	37.4	52.9	61.7	-	
	177	33.1	48.5	56.2	-	
190	29.8	44.1	51.9	-		
203	26.5	40.8	46.4	-		

Demag TC3000



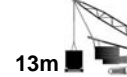
46' x 46'



163 Tons



88°



13m

Main Boom (ft)	Fly Jib (ft)	Lift Radius (ft)	Lift Capacity (Tons)				
			Superlift Ballast (Tons)				
			0	55	110	165	
118 ft	79 ft	46	175.2	214.9	-	-	
		53	147.7	187.4	209.4	-	
		59	144.5	178.7	200.6	-	
		66	130.4	160.3	191.8	-	
		72	116.1	143.7	167.8	170.8	
		79	104.3	129.6	154.9	158.4	
		85	96.3	119.5	143.8	152.4	
		92	88.0	110.0	132.0	146.5	
	98	83.0	103.0	123.0	142.4		
	118 ft	118 ft	59	124.5	159.8	168.6	-
			66	128.0	143.5	165.3	-
			72	113.9	141.1	156.5	-
			79	102.1	127.4	146.6	-
			85	94.1	118.4	138.0	135.6
			92	85.8	107.8	129.8	125.6
			98	79.7	100.8	120.8	117.2
			112	68.8	87.6	105.3	107.4
	157 ft	157 ft	125	58.9	77.6	93.2	87.9
			138	50.5	68.2	82.5	-
			72	94.8	121.2	-	-
			79	101.0	111.3	117.9	-
			85	93.0	102.5	114.6	-
			92	84.7	102.4	110.2	-
			98	78.6	98.3	106.9	-
			112	66.6	85.4	102.5	-
	197 ft	197 ft	125	57.7	75.4	91.0	100.7
			138	49.5	66.0	80.3	92.4
			151	42.9	59.4	72.7	81.5
			164	38.5	54.0	66.1	71.6
			85	74.9	86.0	-	-
			92	74.9	84.9	-	-
			98	74.9	82.6	83.8	-
			111	64.3	74.9	79.3	-
			124	55.5	72.8	77.1	-
			138	47.3	64.9	74.8	-
			151	41.8	57.2	70.5	71.6
			164	36.3	51.8	63.9	68.3
	177	32.0	47.4	58.4	62.9		
	190	28.7	43.0	53.0	58.5		
	203	26.5	39.7	49.7	-		

Demag TC3000



46' x 46'



163 Tons



88°



13m

Main Boom (ft)	Fly Jib (ft)	Lift Radius (ft)	Lift Capacity (Tons)			
			Superlift Ballast (Tons)			
			0	55	110	165
137 ft	79 ft	53	146.6	186.3	207.2	-
		59	144.5	178.7	200.6	-
		65	130.4	160.6	185.2	192.9
		72	116.1	143.7	167.8	170.8
		79	104.3	129.6	154.9	158.4
		85	96.3	119.5	143.8	152.4
		92	88.0	110.0	132.0	146.5
		98	83.0	103.0	123.0	142.4
	118 ft	66	128.0	143.5	154.3	-
		72	113.9	141.1	149.9	-
		79	102.1	127.4	143.0	-
		85	94.1	118.4	138.0	-
		92	85.8	107.8	129.8	131.0
		98	79.7	100.8	120.8	126.0
		112	68.8	87.6	105.3	117.2
		125	58.9	77.6	93.2	107.4
	157 ft	138	50.5	68.2	82.5	87.9
		72	101.0	112.4	-	-
		79	101.0	109.1	-	-
		85	93.0	102.5	106.9	-
		92	84.7	102.4	104.7	-
		98	78.6	98.3	102.5	-
		112	66.6	85.4	102.5	-
		125	57.7	75.4	91.0	100.7
	197 ft	138	49.5	66.0	80.3	92.4
		151	42.9	59.4	72.7	81.5
		164	38.5	54.0	66.1	71.6
		85	74.9	81.5	-	-
		92	74.9	80.4	-	-
		98	74.9	78.2	-	-
		112	64.3	74.9	76.0	-
		125	55.5	72.8	74.9	-
		138	47.3	64.9	74.8	-
		151	41.8	57.2	70.5	71.6
	164	36.3	51.8	63.9	68.3	
	177	32.0	47.4	58.4	62.9	
190	28.7	43.0	53.0	58.5		
203	26.5	39.7	49.7	-		

Demag TC3000



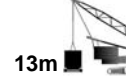
46' x 46'



163 Tons



88°



13m

Main Boom (ft)	Fly Jib (ft)	Lift Radius (ft)	Lift Capacity (Tons)			
			Superlift Ballast (Tons)			
			0	55	110	165
157 ft	79 ft	53	144.4*	185.2*	202.8*	-
		59	123.4*	159.8*	196.2*	-
		66	108.0	141.1*	179.7*	-
		72	95.9	125.6*	163.1*	-
		79	86.0	113.5*	147.7*	-
		85	78.2	102.5	134.5*	-
		92	71.6	93.7	123.4*	-
	98	65.0	87.1	112.4*	-	
	118 ft	66	105.8*	138.9*	147.7*	-
		72	93.7	123.4*	146.6*	-
		79	83.8	111.3*	136.7*	-
		85	76.0	101.4*	127.8*	-
		92	68.3	92.6	119*	-
		98	62.8	84.9	110.2*	-
		112	52.9	72.7	95.9	-
	125	46.3	63.9	83.8	-	
	138	40.8	56.2	74.9	-	
	157 ft	79	81.5	109.1*	-	-
		85	73.8	99.2*	105.8*	-
		92	66.1	90.4*	101.4*	-
		98	60.6	83.8*	98.1*	-
		112	50.7	71.6	90.4*	-
		125	44.1	61.7	79.3	-
		138	37.5	55.1	70.5	-
	151	33.0	48.5	62.8	-	
	164	28.6	43.0	56.2	-	
	177 ft	92	81.4	82.6	-	-
		98	75.3	82.6	-	-
		112	64.3	80.5	83.8	-
		125	56.6	71.0	82.7	-
		138	49.5	62.0	74.8	-
		151	4.0	56.1	68.3	-
		164	38.6	50.7	61.7	-
		177	34.2	46.3	54.1	-
	190	30.9	41.9	45.3	-	
	197 ft	92	65.0	78.2	-	-
		98	58.4	77.1	-	-
		112	48.5	69.4	73.8	-
		125	41.9	60.6	71.6	-
		138	35.2	52.9	65.0	-
151		30.8	46.3	59.5	-	
164		26.4	40.8	54.0	-	
177		23.1	36.4	48.5	-	
190		20.9	33.0	44.1	-	
203	18.7	29.7	40.8	-		

Demag TC3000



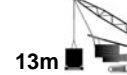
46' x 46'



163 Tons



88°



13m

Main Boom (ft)	Fly Jib (ft)	Lift Radius (ft)	Lift Capacity (Tons)			
			Superlift Ballast (Tons)			
			0	55	110	165
177 ft	79 ft	53	142.2	184.1	192.9	-
		59	140.1	174.3	192.9	-
		66	126.0	157.1	179.6	-
		72	112.7	140.4	167.8	173.2
		79	102.1	127.4	152.0	165.0
		85	94.1	11.3	140.6	157.9
		92	85.8	107.8	128.7	150.7
	98	79.7	99.7	120.7	140.7	
	118 ft	66	110.5	137.8	-	-
		72	110.5	129.0	137.8	-
		79	99.9	125.2	128.9	-
		85	91.5	115.1	128.9	-
		92	83.6	105.6	126.5	128.9
		98	77.5	97.5	118.5	128.9
		112	67.6	85.3	103.1	120.5
	157 ft	125	57.8	75.4	91.0	106.5
		138	49.4	66.0	80.3	94.6
		79	89.5	102.5	-	-
		85	89.5	98.1	100.3	-
		92	82.5	93.6	95.9	-
		98	76.4	93.6	93.9	-
		112	65.5	83.1	93.9	-
		125	56.6	73.2	88.4	93.6
	197 ft	138	48.4	64.9	79.2	93.5
		151	41.8	58.3	71.6	83.7
		164	37.4	52.9	65.0	74.9
		177	33.1	47.4	59.5	62.9
		92	67.3	74.9	-	-
		98	67.3	73.8	-	-
		112	63.0	69.4	70.5	-
		125	54.4	67.2	67.2	-
		138	46.2	62.7	67.2	-
	151	40.7	56.1	66.1	-	
164	35.2	50.7	61.7	-		
177	32.0	46.3	57.3	-		
190	28.7	41.9	51.9	-		
203	25.4	38.6	47.5	-		

Demag TC3000



46' x 46'



163 Tons



88°



13m

Main Boom (ft)	Fly Jib (ft)	Lift Radius (ft)	Lift Capacity (Tons)			
			Superlift Ballast (Tons)			
			0	55	110	165
197 ft	79 ft	59	120.1*	157.6*	174.1*	-
		66	104.7*	137.8*	159.8*	-
		72	92.6	123.4*	146.6*	-
		79	83.8	111.3*	137.8*	-
		85	74.9	100.3*	126.7*	-
		92	68.3	92.6	115.7*	-
		98	62.8	84.9	109.1*	-
	118 ft	66	102.5*	132.3*	-	-
		72	90.4*	121.2*	128.9*	-
		79	80.4	109.1*	121.2*	-
		85	72.7	99.2*	114.6*	-
		92	66.1	90.4*	108*	-
		98	60.6	82.6	101.4*	-
		112	50.7	71.6	89.3*	-
	157 ft	79	79.3	94.8*	-	-
		85	70.5	94.8*	-	-
		92	63.9	89.3*	90.4*	-
		98	58.4	81.5*	87.1*	-
		112	49.6	69.4	79.3	-
		125	41.9	60.6	71.6	-
		138	36.4	52.9	65.0	-
		151	31.9	47.4	59.5	-
		164	27.5	41.9	54.0	-
	197 ft	92	61.7	66.1	-	-
		98	56.2	66.1	-	-
		112	46.3	66.1	-	-
		125	39.7	58.4	63.9	-
		138	34.1	50.7	59.5	-
		151	28.6	44.1	55.1	-
		164	25.3	39.7	50.7	-
		177	22.0	35.2	46.3	-
		190	18.7	31.9	41.9	-
		203	16.5	28.6	38.6	-
217	15.4	25.3	35.2	-		

Demag TC3000



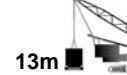
46' x 46'



163 Tons



88°



13m

Main Boom (ft)	Fly Jib (ft)	Lift Radius (ft)	Lift Capacity (Tons)			
			Superlift Ballast (Tons)			
			0	55	110	165
217 ft	79 ft	59	122.3	156.5	159.8	-
		66	122.3	152.3	159.8	-
		72	109.4	137.0	152.1	-
		79	97.8	123.0	148.3	152.1
		85	90.7	113.9	137.2	152.1
		92	82.5	104.5	125.4	147.4
	118 ft	98	76.3	97.5	117.4	137.4
		72	107.1	115.7	-	-
		79	96.6	115.7	115.7	-
		85	88.5	111.5	115.7	-
		92	80.3	102.3	115.7	-
		98	75.3	95.3	114.7	115.8
		112	64.3	82.1	100.9	112.5
	157 ft	125	56.6	72.1	88.8	104.0
		138	48.3	63.8	78.1	92.4
		85	83.9	83.8	-	-
		92	79.2	83.7	-	-
		98	73.1	83.7	83.8	-
		112	63.2	80.6	83.7	-
		125	55.5	71.0	83.7	-
		138	47.2	62.7	77.0	83.7
	197 ft	151	40.7	56.1	69.4	82.6
		164	36.3	50.7	62.8	74.9
		177	32.0	46.3	57.3	66.2
		98	60.6	60.6	-	-
		112	60.6	60.6	-	-
		125	53.3	60.6	-	-
		138	45.1	60.5	60.6	-
		151	39.6	53.9	60.6	-
		164	35.2	48.5	59.5	-
		177	30.9	44.1	55.1	-
	190	27.6	40.8	50.8	-	
	203	24.3	36.5	46.4	-	
	217	22.1	34.2	43.1	-	

Demag TC3000



46' x 46'



163 Tons



88°



13m

Main Boom (ft)	Fly Jib (ft)	Lift Radius (ft)	Lift Capacity (Tons)			
			Superlift Ballast (Tons)			
			0	55	110	165
236 ft	79 ft	66	101.4*	135.6*	149.9*	-
		72	90.4*	121.2*	146.6*	-
		79	80.4	109.1*	137.8*	-
		85	72.7	99.2*	126.7*	-
		92	66.1	90.4*	115.7*	-
		98	60.6	83.8*	109.1*	-
	118 ft	72	88.2*	108.0*	-	-
		79	78.2*	106.9*	108.0*	-
		85	70.5*	97.0*	108.0*	-
		92	63.9	89.3*	108.0*	-
		98	58.4	81.5*	101.4*	-
		112	49.6	70.5*	89.3*	-
		125	41.9	60.6	78.2*	-
	157 ft	85	68.3	79.3*	-	-
		92	61.7	79.3*	-	-
		98	56.2	79.3*	-	-
		112	47.4	68.3	79.3*	-
		125	39.7	59.5	71.6*	-
		138	34.1	51.8	65.0	-
		151	29.7	45.2	59.5	-
		164	26.4	40.8	54.0	-
	197 ft	177	23.1	36.4	49.6	-
		98	54.0	57.3	-	-
		112	45.2	57.3	-	-
		125	37.5	57.3	-	-
		138	3.4	49.6	56.2	-
		151	27.5	43.0	55.1	-
		164	24.2	38.6	50.7	-
		177	21.1	34.1	46.3	-
		190	18.5	29.7	41.9	-
	203	16.3	27.5	38.6	-	
	217	14.4	24.2	35.2	-	

Demag TC3000



46' x 46'



163 Tons



88°



13m

Main Boom (ft)	Fly Jib (ft)	Lift Radius (ft)	Lift Capacity (Tons)			
			Superlift Ballast (Tons)			
			0	55	110	165
256 ft	79 ft	66	100.3	134.5	136.7	-
		72	88.2	120.1	136.7	-
		79	79.3	108.0	134.5	-
		85	71.6	98.1	126.7	-
		92	65.0	90.4	115.7	-
		98	59.5	82.6	109.1	-
	118 ft	79	77.1*	102.5*	-	-
		85	69.4*	95.9*	102.5*	-
		92	62.8	88.2*	102.5*	-
		98	57.3	80.4*	101.4*	-
		112	48.5	69.4*	89.3*	-
		125	41.9	60.6	78.2*	-
	157 ft	85	68.3	73.8	-	-
		92	66.1	73.8	-	-
		98	65.1	72.7	-	-
		112	59.7	69.4	72.7	-
		125	52.2	62.9	71.6	-
		138	45.1	58.3	70.5	-
		151	40.7	52.8	65.0	-
		164	36.3	47.4	58.4	-
	197 ft	92	50.7	-	-	-
		98	48.5	50.7	-	-
		112	48.5	50.7	-	-
		125	48.5	48.5	50.7	-
		138	44.0	47.3	50.7	-
		151	38.5	46.2	50.7	-
		164	34.1	45.1	50.7	-
		177	29.8	41.9	46.3	-
		190	26.5	37.5	41.9	-
		203	23.2	34.2	38.6	-
	216	21.0	32.0	-	-	

Demag TC3000



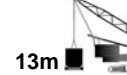
46' x 46'



163 Tons



88°



13m

Main Boom (ft)	Fly Jib (ft)	Lift Radius (ft)	Lift Capacity (Tons)			
			Superlift Ballast (Tons)			
			0	55	110	165
256	236 ft	112	38.6	-	-	-
		125	36.3	22.0	-	-
		138	36.3	38.6	-	-
		151	36.3	38.6	-	-
		164	30.8	36.3	40.8	-
		177	27.6	35.2	40.8	-
		190	2.3	33.1	40.8	-
		203	21.0	30.9	40.8	-
		217	17.7	27.6	37.5	-
		230	1.5	25.4	34.1	-
		243	14.2	23.1	30.8	-
	256	12.1	20.9	28.6	-	
	256 ft	125	30.8	-	-	-
		138	30.8	30.8	-	-
		151	30.8	30.8	-	-
		164	30.8	30.8	-	-
		177	26.5	29.7	30.8	-
		190	23.2	28.6	30.8	-
		203	19.9	26.5	30.8	-
		217	17.7	24.3	30.8	-
		230	15.5	23.2	30.8	-
		243	13.1	20.9	28.6	-
256		11.0	19.8	27.5	-	
256 75°	256 ft	229	-	15.5	25.4	30.8
		243	-	13.1	23.1	30.8
		256	-	11.0	20.9	27.5
		269	-	9.9	19.8	25.3
		282	-	8.8	17.6	22.0
		295	-	6.6	16.5	18.8
		308	-	-	14.3	-
		321	-	-	11.1	-