



# Montalift M21-4WDS

## Potain IGO MA21 Self-Erecting Tower Crane Mounted on 4WD/4WS Self-Propelled Montalift Carrier



### Specifications

- 85 ft. Maximum Radius
- 61 ft. Maximum Under Hook Height (Jib Horizontal)
- 85 ft. Maximum Under Hook Height (Jib Offset)
- 3,968 lb. Maximum Capacity
- Erected within 10 minutes
- Crane Fully Radio Remote Operated
- 4 Outriggers with 13' 1" x 13' 1" Base
- Electro-mechanical 4WD/ 4WS
- 2 Speed Transmission
- Can be Driven Fully Erected
- Carrier Uses Tethered Controls



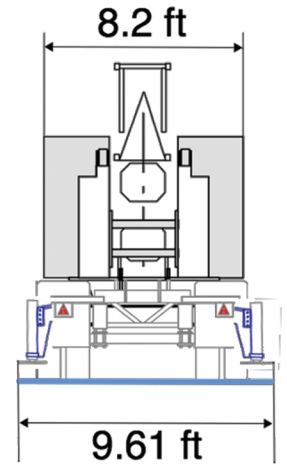
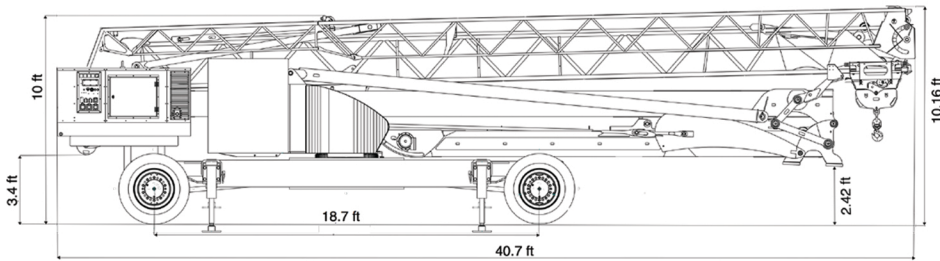
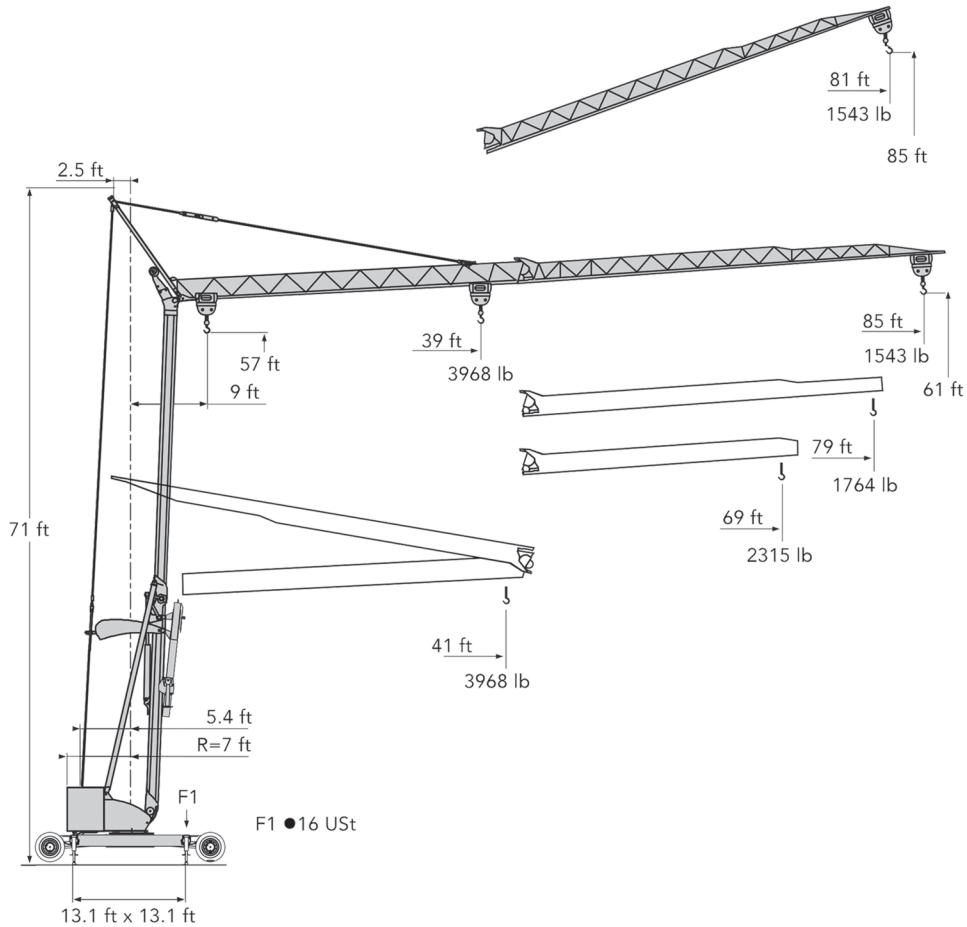
### Loadchart

Radius (ft)	39	43	46	49	52	56	59	62	66	69	72	75	79	82	85
Capacity (lb)	3968	3594	3285	3020	2789	2590	2414	2260	2127	2006	1896	1797	1709	1620	1543

NOTE: Dimensions and weights may vary due to manufacturing tolerances.



# Montalift M21-4WDS



	GVW	Front axle	Rear axle
Base crane including: <ul style="list-style-type: none"> <li>counterweights</li> <li>outrigger pads</li> <li>generator with full tank of fuel</li> <li>frame for genset</li> </ul>	49,384 lbs	25,243 lbs	24,141 lbs

THIS CHART IS ONLY A GUIDE AND SHOULD NOT BE USED TO OPERATE THE CRANE.  
 The individual crane's load chart, operating instructions and other instructional plates must be read and understood prior to operating the crane



**Pennsylvania**  
**Harrisburg**  
 7201 Paxton Street  
 Harrisburg, PA 17111  
 800-325-6455

**Philadelphia**  
 135 Lincoln Avenue  
 Prospect Park, PA 19076  
 800-220-4033

**Pittsburgh**  
 8181 Noblestown Road  
 McDonald, PA 15057  
 800-692-7600

**Wilkes-Barre**  
 600 Sathers Drive  
 Pittston, PA 18640  
 866-667-6756

**New York**  
**Albany**  
 3 Industry Drive  
 Waterford, NY 12188  
 518-357-2200

**Syracuse**  
 6018 Drott Drive  
 Syracuse, NY 13057  
 800-368-6455