



## Performance and ease of use

- Best lifting speed of 48 seconds
- Industry leading working envelope and outreach
- Fully proportional and simultaneous movements
- Easy transport

## Excellent durability

- Rugged hoods with ergonomic handle
- Long lasting structural design

## Easy maintenance

- Fully modular basket with upper control box cover and tool tray
- Easy access to all components
- Self-diagnosis tool on lower control box



# HA61 RTJ 0

ROUGH TERRAIN ARTICULATING BOOMS



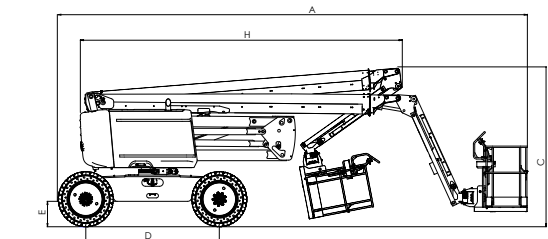
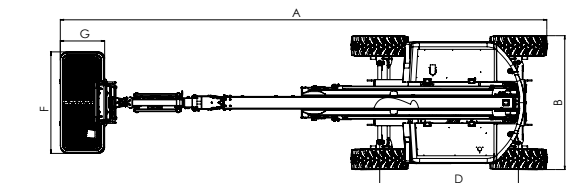
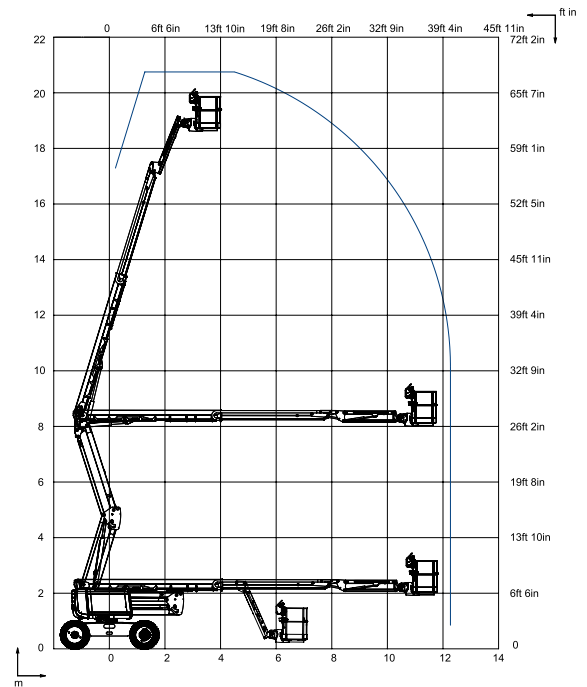
## TECHNICAL DATA

## HA61 RTJ 0

Working height	67 ft 7 in
Platform height	61 ft
Horizontal outreach	40 ft
Up and over height	27 ft 7 in
Lift capacity	500 lbs
<b>F x G</b> Platform size	8 ft x 2 ft 7 in
<b>A</b> Length	28 ft 10 in
<b>B</b> Width	7 ft 11 in
Height - stowed	8 ft 3 in
<b>H</b> Transport length	21 ft 4 in
<b>C</b> Transport height	9 ft 7 in
Vertical jib rotation	140° (+70°/-70°)
Platform rotation	180° (+90°/-90°)
Turntable rotation	360° continuous
Tailswing	5.6 in
<b>D</b> Wheelbase	8 ft
<b>E</b> Ground clearance	15 in
Tilt alarm	5°
Drive speed	0.5 - 3.1 mph
Gradeability	45 %
Tires - solid rough terrain	14x17.5"
Turning radius - outside	13 ft 1 in
Engine	Kubota 37.4 kW – 50.1 hp Tier 4
Weight	20,500 lbs

## STANDARD EQUIPMENT

- 4 wheel drive, 2 wheel steer
- Permanent limited slip differential
- 500 lb (2 person) load capacity
- 4 simultaneous movements
- Lateral swing door entry gate
- Flashing beacon
- Fully modular large basket
- Upper control box protection cover and tool tray in ultra-solid plastic
- AC Power to the platform
- Self-diagnosis tool on lower control box
- Swing out engine tray for easy maintenance
- Hourmeter
- Low fuel level indicator (upper control box)
- Engine pre-heater with light indicator
- Tilt / load alarm and light
- 12 V battery / electric control system
- Electric pump system and emergency descent
- Travel alarm



## OPTIONS AND ACCESSORIES

- Narrow platform
- Lateral swing door entry gate (Standard on US machines)
- Hydraulic generator Dynaset 3.5 kW or 12 kW
- Air line to platform
- 55 W working light
- Power to the platform (Standard on US machines)
- Flashing beacon
- Cold weather kit
- Warm environment kit
- Biodegradable hydraulic oil
- Non-marking tires
- Glazier pack
- Spark arrestor and electric one-way valve
- Welder and welder support
- Haulotte Activ'Shield™ Bar

4000424850 - Non-contractual document - We reserve the right to modify the technical characteristics of this document without notice - 09/2016