

Aichi RZ-090 and RZ-150

The 500kg load capacity and wide platform of the RZ-150 and RZ-090, make them ideal for equipment installation and for both work on the outside of buildings, interior furnishing and tunnel construction.



Model Number And Model Name		
Model Number	RZ-090	RZ-150
Model Name	Crawler type self propelled aerial platform	Crawler type self propelled aerial platform
Platform		
Max. Load	500kg	500kg
Max. Working Radius	6.5m	12.1m
Max. Height	9.1m	15.0m
Boom		
Type	Three stage telescopic type	Three stage telescopic type
Length	3.485m - 7.185m	6.19m - 13.05m
Extension Stroke	3.3m	6.86m
Boom Angle	-20° to 70°	-14° to 71°
Telescopic Speed (extension and retraction)	15 sec/str	25 sec/str
Elevation Speed (raising and lowering)	35 sec/str	55 sec/str

Aichi Sales Office B.V. - Nijverheidsweg 5 - 4906 CM - Oosterhout (NB) NL
Tel.: 0162-431543 - Fax: 0162-451189 - e-mail: info@aichiplatforms.nl

Rotation Device

Rotation Angle	360°	360°
Rotation Speed	1 r.p.m.	125 sec/360°

Travel Mechanism

Gradability	24°	22°
Max. Speed	1.5km/h	0.9km/h

Dimensions And Weight

Min. Ground Clearance	380mm	400mm
Gross Weight	8,300kg	14,500kg
Ground Contact pressure	0.4kg/cm ²	0.80kg/cm ²

Engine

Max. Power	55ps / 2,200 r.p.m.	90ps / 2,000 r.p.m.
Max. Torque	18kgf-m / 1,800 r.p.m.	32.5kgf-m / 1,600 r.p.m.

Safety Devices

- ? Relief valve
- ? Motion alarm buzzer
- ? Tilt warning buzzer
- ? Emergency stop switch
- ? Foot switch
- ? Travel speed regulator
- ? Control lever guard
- ? Emergency pump

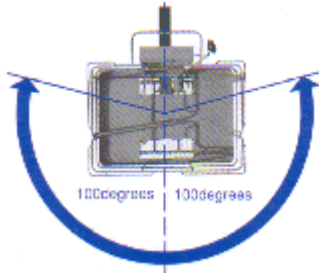
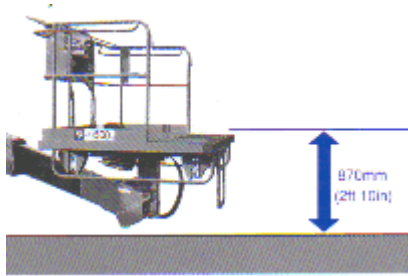
Standard Accessories

- ? Working light

Optional Accessories

- ? Black or white rubber pads
- ? Remote control travel device
- ? Engine generator (RZ-090 only)

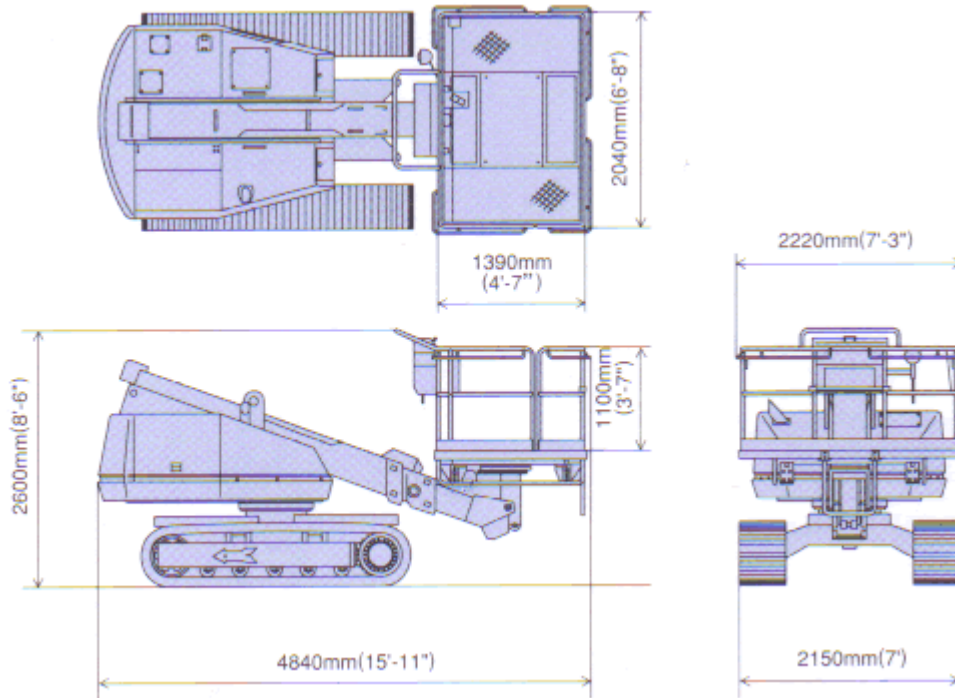
Features of the RZ-090 and RZ-150



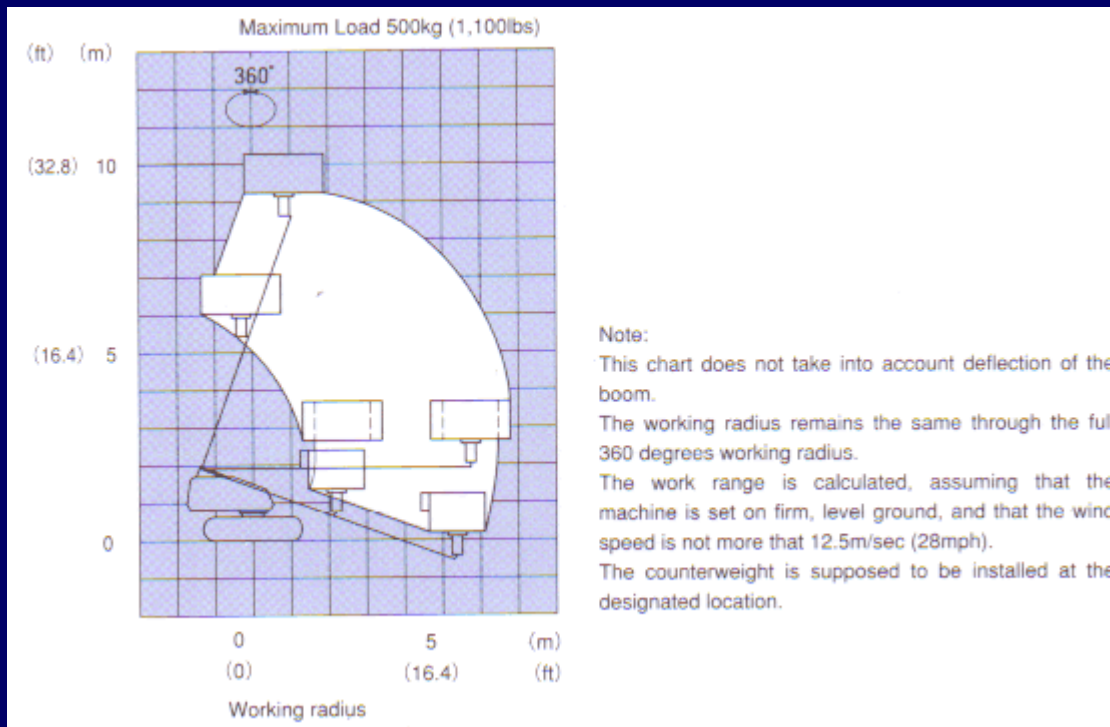
To make the loading and unloading of equipment and materials easy, the platform for both the RZ-090 and RZ-150 can be set at a minimum height of 870mm and the guard rail can be removed to enable easy access by forklift

The wide 100 degrees swinging angle to both sides on both the RZ-090 and RZ-150 allows the operator to locate themselves in the most optimum and convenient position for carrying out work easily.

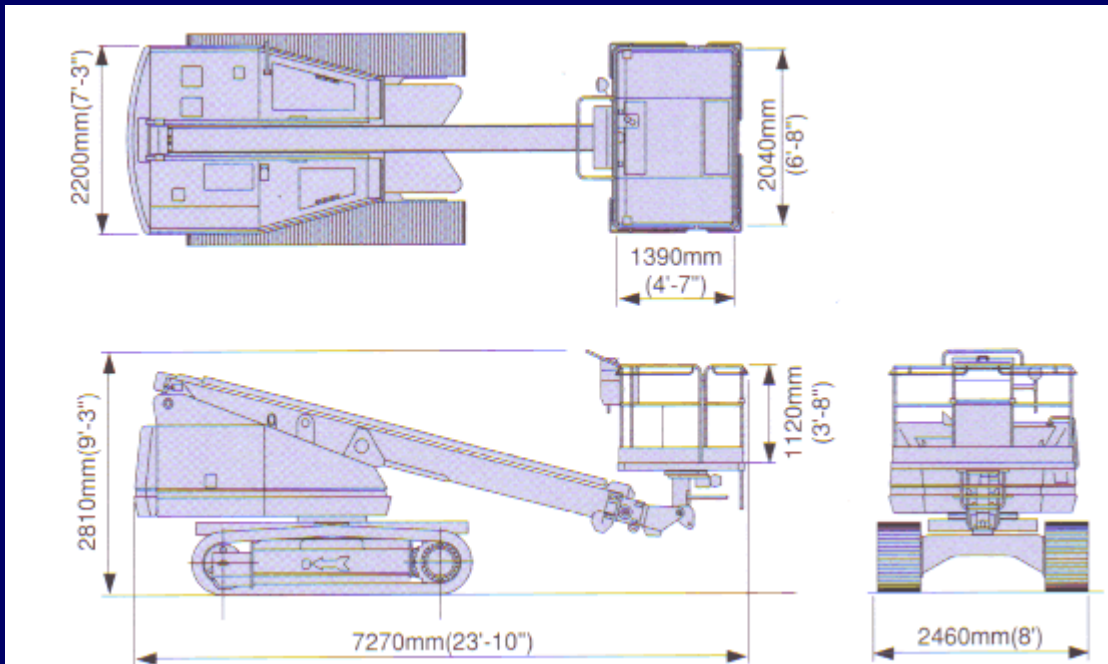
RZ-090 Overall Dimensions



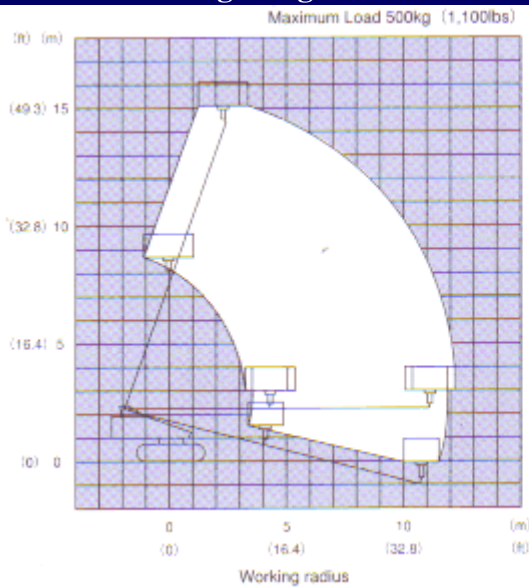
RZ-090 Working Range Chart



RZ-150 Overall Dimensions



RZ-150 Working Range Chart



Note:

This chart does not take into account deflection of the boom.

The working radius remains the same through the full 360 degrees working radius.

The work range is calculated, assuming that the machine is set on firm, level ground, and that the wind speed is not more than 12.5m/sec (28mph).

The counterweight is supposed to be installed at the designated location.