



FOR NEW EQUIPMENT SALES, CALL  
**800.958.2555**  
TO SPEAK WITH AN ALTEC REPRESENTATIVE  
or visit us online at [altec.com](http://altec.com)

 **Altec**  
OVERCENTER  
AERIAL DEVICE

*Courtesy of Crane.Market*



# LR7 SERIES

## FEATURES

- Altec ISO-Grip® Control System
- Mounts On Below-FET Chassis
- Full Size Chip Box Provides Excellent Payload Capacity
- Insulating, ANSI Category C
- Insulated Lower Boom Insert
- Maintenance-Free Elbow
- Round Upper Boom Reduces Potential Boom Damage
- Compact 10 ft (3 m) Compensated Vertical Elevator (LR760-E70)
- Outrigger Boom Interlock System
- Outrigger Motion Alarm
- Back Up Alarm
- No Required Major Scheduled Maintenance
- Lifetime Platform Leveling System
- Lifetime Structural Warranty

## OPTIONS

- Dual Hydraulic Tool Circuits
- Under-CDL Rear Mount Package
- Insulating, ANSI Category B
- Automatic Lower And Upper Boom Stow Systems



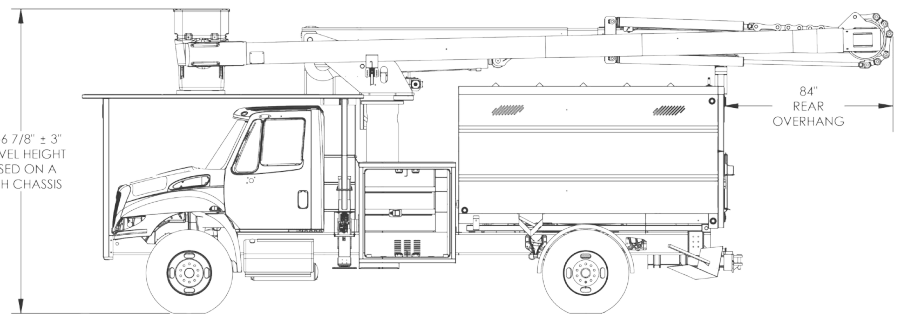
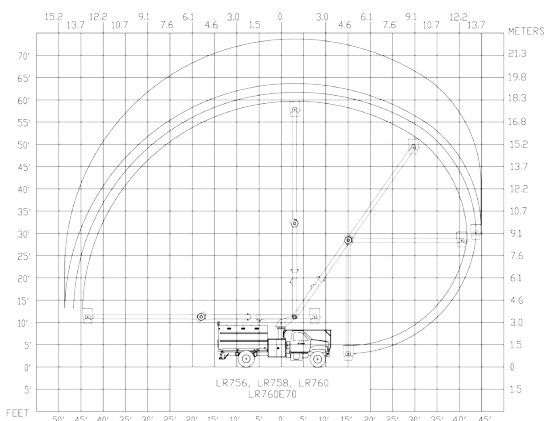
Recommended safety equipment, available through Altec Supply, include a platform liner, fall protection system, wheel chocks and outrigger pads.

## CONFIGURATIONS

	LR756 FM	LR756 RM	LR758 FM	LR758 RM	LR760 FM	LR760 RM	LR760-E70 (FM&RM)
Ground to Bottom of Platform*	56.3 ft (17.2 m)	55.7 ft (17 m)	58.3 ft (17.8 m)	57.7 ft (17.6 m)	60.3 ft (18.4 m)	59.7 ft (18.2 m)	70.3 ft (21.4 m)
Working Height*	61.3 ft (18.7 m)	60.7 ft (18.5 m)	63.3 ft (19.3 m)	62.7 ft (19.1 m)	65.3 ft (19.9 m)	64.7 ft (19.7 m)	75.3 ft (23 m)
Maximum Reach from Centerline of Rotation	44.4 ft (13.5 m)	44.4 ft (13.5 m)	46.4 ft (14.2 m)	46.4 ft (14.2 m)	48.4 ft (14.8 m)	48.4 ft (14.8 m)	48.4 ft (14.8 m)
Maximum Reach Upper Boom, Non-Overcenter	41.6 ft (12.7 m)	41.6 ft (12.7 m)	43.6 ft (13.3 m)	42.8 ft (13 m)	44.8 ft (13.6 m)	44.8 ft (13.6 m)	44.8 ft (13.6 m)
Stowed Travel Height*	12.4 ft (3.8 m)	11.7 ft (3.6 m)	12.4 ft (3.8 m)	11.7 ft (3.6 m)	12.4 ft (3.8 m)	11.7 ft (3.6 m)	12.4 ft (3.8 m)
Upper Boom Isolation Gap	15.7 ft (4.8 m)	15.7 ft (4.8 m)	17.7 ft (5.4 m)	15.7 ft (4.8 m)	17.7 ft (5.4 m)	17.7 ft (5.4 m)	17.7 ft (5.4 m)
Lower Boom Isolation Gap	15 in (381 mm)	15 in (381 mm)	15 in (381 mm)	15 in (381 mm)	15 in (381 mm)	15 in (381 mm)	15 in (381 mm)
Platform Capacity	400 lb (181.4 kg)	400 lb (181.4 kg)	400 lb (181.4 kg)	400 lb (181.4 kg)	400 lb (181.4 kg)	400 lb (181.4 kg)	400 lb (181.4 kg)
Platform Dimensions	24 x 24 x 39 in (610 x 610 x 991 mm)	24 x 24 x 39 in (610 x 610 x 991 mm)	24 x 24 x 39 in (610 x 610 x 991 mm)	24 x 24 x 39 in (610 x 610 x 991 mm)	24 x 24 x 39 in (610 x 610 x 991 mm)	24 x 24 x 39 in (610 x 610 x 991 mm)	24 x 24 x 39 in (610 x 610 x 991 mm)
Upper Boom Articulation	-2 to 268°	-2 to 268°	-2 to 268°	-2 to 268°	-2 to 268°	-2 to 268°	-2 to 268°
Lower Boom Articulation	0 to 125°	0 to 125°	0 to 125°	0 to 125°	0 to 125°	0 to 125°	0 to 125°
Rotation	Continuous	Continuous	Continuous	Continuous	Continuous	Continuous	Continuous

\*Based on a 40 in (1016 mm) chassis frame height. Also available in 52 ft (15.8 m) working height.

## REACH DIAGRAM



For more complete information on Altec products and services, visit us on the web at [www.altec.com](http://www.altec.com). Material and specifications are subject to change without notice. Featured units in photos may include optional features. Please contact an Altec representative for all available options. Altec® and the Altec logo are registered trademarks of Altec Inc. in the United States and various other countries and may not be used without permission.  
© 2015 Altec Inc. All Rights Reserved. AIOSLR7-1014-v2