



VT-70

Compact Track Loader



VT-70

Brief Specifications

Operating weight:	8,060 lbs 3656 kg
Tipping load:	6,650 lbs 3016 kg
Ground pressure:	4.6 psi 31.7 kPa
Gross engine power:	65 hp 48.6 kW

OPERATING SPECIFICATIONS

Loader arms	Vertical
Operating weight	8,060 lbs 3656 kg
Shipping weight	7,339 lbs 3328 kg
Ground pressure @ operating weight	4.6 psi 31.7 kPa
Rated operating capacity, 35% of tipping load	2,328 lbs 1056 kg
Operating capacity, 50% of tipping load	3,325 lbs 1508 kg
Tipping load	6,650 lbs 3016 kg
Travel speed, maximum - 1 st speed	7.7 mph 12.4 kph
Travel speed, maximum - 2 nd Speed	11 mph 17.7 kph

ENGINE

Type	Diesel, 4-cylinder, aftercooled, turbocharged
Model	Kubota V2403-CR-TIE4
Displacement	148.5 in ³ 2.43 L
Gross power rating @ 2800 rpm	65 hp 48.6 kW
Torque, peak	146 ft-lb 198.5 Nm
Cooling system	Temperature-controlled variable speed hydraulically-driven fan and coolant/anti-freeze-filled radiator
Intake air cleaner	Dual stage
Emission controls	Meets all U.S. EPA Tier 4 final standards

UNDERCARRIAGE

Track type: General purpose track constructed of rubber compound with embedded co-polymer cords and all-purpose treads.	
Track width	15 in. 381 mm
Length of track on ground	59 in 1499 mm
Ground contact area	1,770 in ² 1.14 m ²
Drive system	Two hydrostatic direct drive sprockets controlled by a single joystick
Track drive sprockets	Elevated with low-friction, replaceable sprocket rollers
Undercarriage suspension	Two independent torsion axles per undercarriage
Roller wheels	24 high-density polyurethane and rubber wheels per track. Wheels include sealed bearings.
Roller wheel diameter:	
Front and rear wheels	14 in. 355.6 mm
Middle wheels	10 in. 254 mm

AUX. HYDRAULIC SYSTEM

Pump capacity:	Low - variable from 0 - 23 gpm (87.1 lpm) Optional High Flow - 28.4 gpm (107.5 lpm)
System pressure, max.	3,300 psi 22 753 kPa
Controls	Variable flow via joystick rocker switch, or continuous via console switch
Couplers	Push-to-connect quick couplers mounted on loader arms Pressure relief valve mounted to coupler block
Cooling system	High efficiency side-by-side radiator and oil cooler

ELECTRICAL SYSTEM

Nominal charge	12 V
Battery	800 CCA
Charging system	90 amp alternator
Outlets	1-12 V port inside operator station
Wiring	Pre-wired for all factory-available accessories

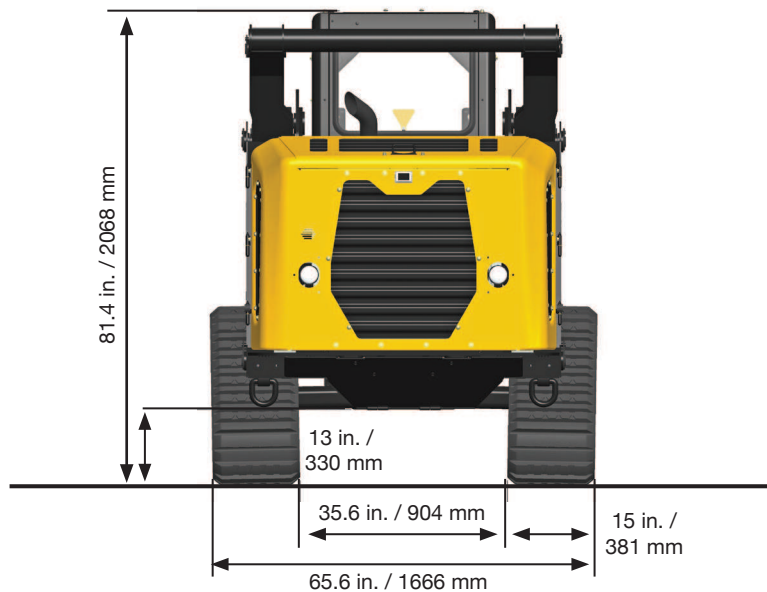
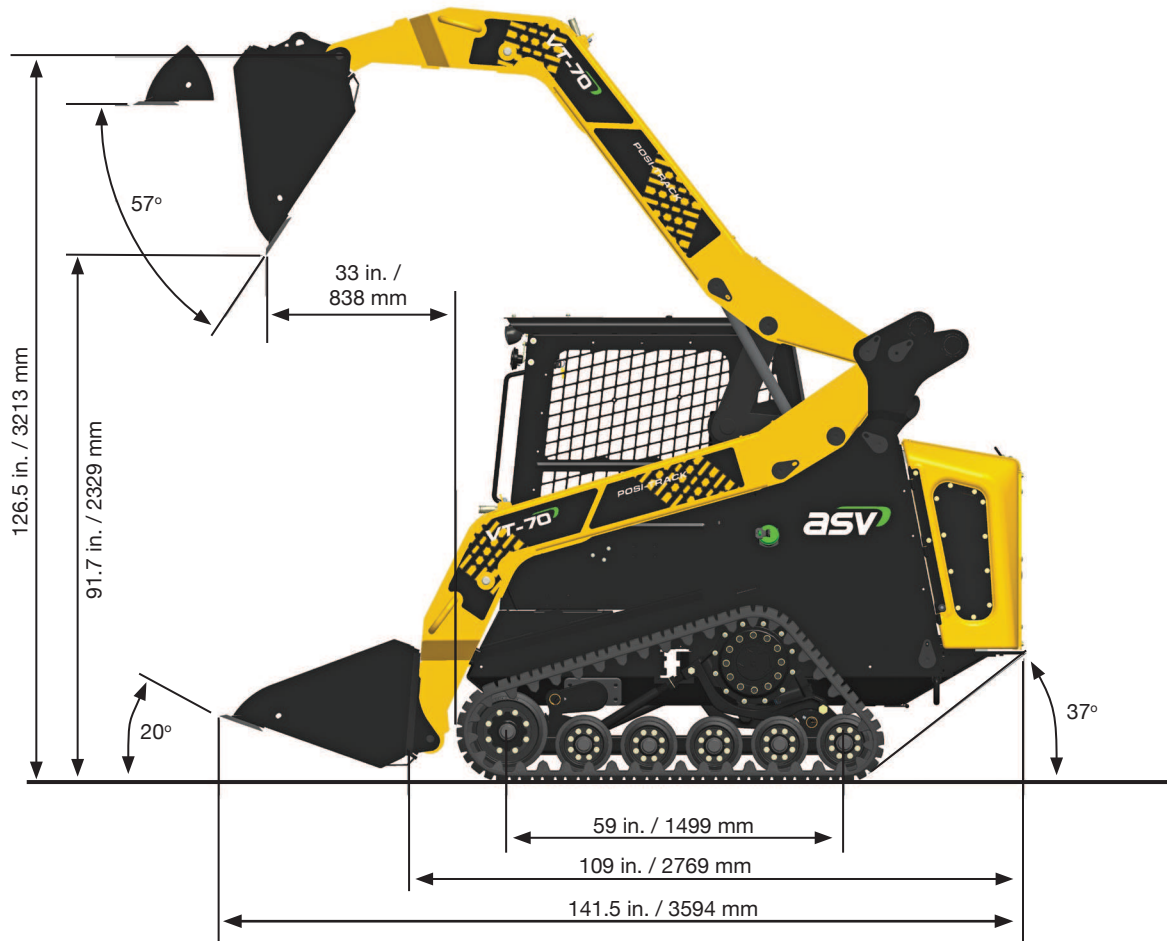
OPERATOR STATION

Seat: Adjustable contour vinyl with built-in operator presence switch, lap bar and 2 in 51 mm wide seat belt	
Loader control: Right-hand pilot hydraulic joystick controls loader lift, lower and tilt, plus variable control of auxiliary hydraulic	
Drive control: Left-hand pilot hydraulic joystick controls machine speed and direction	
Engine speed	Hand-operated throttle
Machine display	Engine RPM Engine coolant temperature Engine oil pressure Hydraulic oil temperature Battery voltage Hour meter Fuel level
ROPS	Meets SAE J1040 MAY94, ISO 3471
FOPS	Meets SAE J1043 SEPT87, ISO 3449
Illumination	2 adjustable forward-facing halogen lights 2 adjustable rear-facing halogen lights 1 Interior light
Convenience	12 V power port
Horn	
Backup alarm	

* Machine tested with foundry bucket

DIMENSIONS

VT-70



SERVICE REFILL CAPACITIES

Fuel tank	23.2 gal 87.8 L
Hydraulic tank	3.3 gal 12.5 L
Engine coolant/antifreeze	2.5 gal 9.5 L
Engine oil, including filter	9 quarts 8.5 L

OPTIONAL ATTACHMENTS

Auger drive and bits	Grapple bucket
Backhoe	Pallet forks
Broom, rotary	Power box rake
Bucket, general purpose	Snow blade
Bucket, light material	Snow blower
Bucket, multi-purpose	Stump grinder
Brush cutter, rotary	Trencher
Dozer blade	Vibratory roller
Eliminator rake	



Effective Date: September, 2016.

Product specifications and prices are subject to change without notice or obligation. The photographs and/or drawings in this document are for illustrative purposes only. Refer to the appropriate Operator's Manual for instructions on the proper use of this equipment. Failure to follow the appropriate Operator's Manual when using our equipment or to otherwise act irresponsibly may result in serious injury or death. The only warranty applicable to our equipment is the standard written warranty applicable to the particular product and sale and ASV makes no other warranty, express or implied. © 2016, ASV LLC. ASV, the ASV logo design and Positrack are trademarks of ASV, LLC.