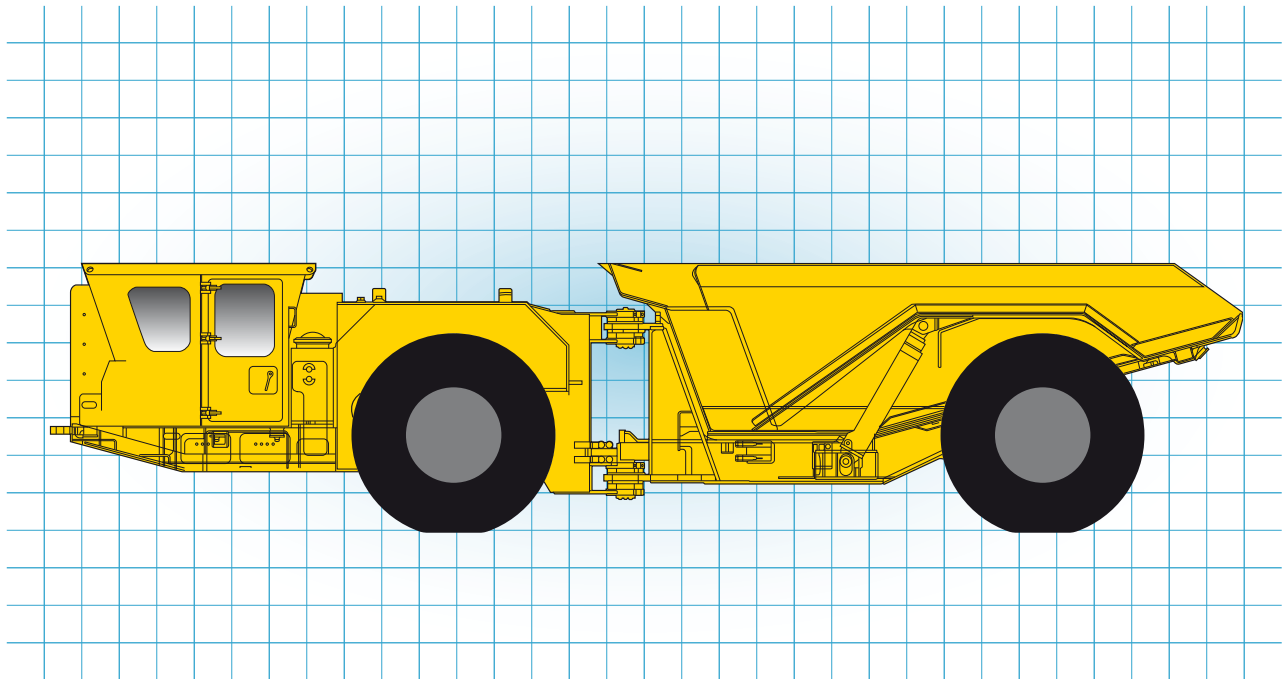


Minetruck MT436LP

Technical specification



The Minetruck MT436LP is a 32.6 metric ton capacity low profile underground truck, designed to work in low seam mining applications where the back height can get down to 2.8 m.

Features

Operator's compartment

Ergonomically and spacious designed compartment for maximum safety and minimal operator fatigue with:

- ROPS/FOPS canopy with back protection and sound suppression.
- Comfortable operator's seat providing improved ergonomic positioning, body orientation and generous shoulder and hip room.
- Enhanced operator visibility with the use of - forward and rear viewing cameras, each coupled to a canopy mounted monitor and linked to the transmission providing good visibility in both tramping directions.

Power frame

- Converter lockup offers better power transfer, less heat and longer component life.

- Jacobs engine brake provides increased brake life, automatic engine overspeed protection, and reduced heat from braking.
- Electric transmission shift control for convenient shifting.
- SAHR brake system offers long component life and very reliable braking.

General

- Long-life tapered roller bearing centre hinge.
- Maximum operating ambient temperature 52°C (125°F).
- Central manual lubrication.
- Hydraulic hoses, electric cables and hot surfaces are well protected.

Specifications

Capacity		Motion times		Matching vehicles	
Tramming	32 650 kg	Dump box		For Minetruck MT436LP	
		Dumping	14 seconds	Scooptram ST1030LP	

Engine

- Detroit Diesel engine DDEC IV Series 60
- Power Rating at 2 100 rpm 298 kW/400 hp
- Maximum torque at 1 350 rpm 1 898 Nm
- MSHA Part 7 ventilation rate 793 m³/min
- MSHA Part 7 particulate index 241 m³/min
- Dry type air cleaner.
- Exhaust heat protection.
- Remote engine oil drain.
- Cooling package with V-core radiator.

Transmission

- Full Power Shift, 4 Speed Forward/reverse.
- Dana 6000 Series

Torque Converter

Single stage with lock up.

- Dana CL-8000 Series

Axles

- Spiral bevel differential, full floating, planetary wheel end drive.
- Rock Tough 508
- Conventional front differential.
- Rear axle, trunnion mounted, self-lubricating bushings.
- Degree of oscillation 18° (9° each side)

Brakes

Fully enclosed, force cooled, multiple wet discs at each wheel end.

- Service/parking/emergency SAHR

Tyres

Tubeless, nylon, smooth tread design for underground mine service, on demountable rims

- Dimension 26.5R25*

* As applications and conditions vary, Atlas Copco recommends that the user consults with tyre suppliers to obtain the optimum tyre selection.

Operator's compartment

- Canopy; MSHA-ISO ROPS/FOPS approved.
- Forward facing seat with steering wheel.
- Grammer seat with retractable seat belts.
- Forward and back up camera, with monitor.

Hydraulic system

- System pressure 15.8 MPa
- Hydraulic tank capacity 238 litres
- Filtration, return line 4.0 µm
- Heavy duty gear type pumps
- Cylinders, double acting, chrome plated stems, diameter:
 - Steer cylinders (2) 152 mm
 - Dump cylinders (2) 228 mm

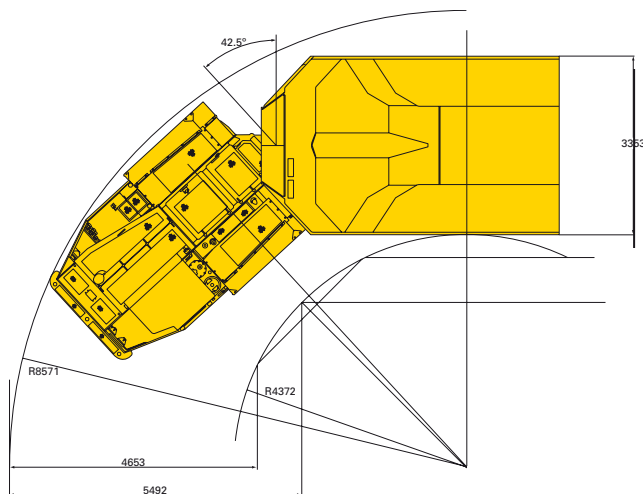
Electrical system

- Voltage, system start & accessories 24 V
- Alternator, high output 140 A
- Hydraulic warning system level, hyd. temp.
- Hella projection lights.
- Isolation switch lockout.

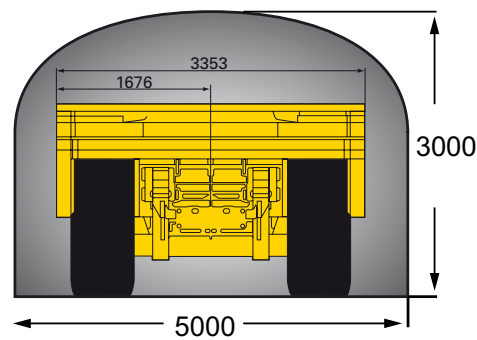
Fuel

- Fuel tank capacity 439 litres
- Fuel consumption, full load 95 litres/hour
- Fuel filtration 8.0 µm
- Anti-siphon fuel supply.

Turning radius



Recommended drift size



Rear view

- Turning angle +/- 42.5°.
- Turning radius left and right are symmetrical.
- Dimensions shown are based on standard vehicle configuration with 25 mm tyre deflection.
- All dimensions are shown in millimetres.

Grade performance

NB. 3% rolling resistance assumed. Actual performance may vary depending on the application.

Standard configuration, box empty

Percent grade	0.0	2.0	4.0	6.0	8.3	10.0	12.5	14.3	16.0	18.0	20.0
Ratio					1:12	1:10	1:8	1:7			1:5
1st gear (kph)	4.8	4.7	4.7	4.6	4.5	4.4	4.4	4.3	4.3	4.3	4.2
2nd gear (kph)	8.5	8.2	8.0	7.8	7.7	7.6	7.4	7.3	7.2	7.1	6.9
3rd gear (kph)	14.5	13.9	13.5	13.2	12.7	12.3	11.8	11.3	10.7	9.8	8.9
4th gear (kph)	24.8	23.6	22.2	20.9	18.3	15.6	12.0				

Standard configuration, box loaded

Percent grade	0.0	2.0	4.0	6.0	8.0	10.0	12.5	14.3	16.0	18.0	20.0
Ratio					1:12	1:10	1:8	1:7			1:5
1st gear (kph)	4.7	4.5	4.4	4.3	4.2	4.2	4.1	4.0	3.9	3.8	3.7
2nd gear (kph)	8.1	7.7	7.5	7.2	6.9	6.7	6.2	5.8	5.2	4.6	4.0
3rd gear (kph)	13.6	12.9	12.0	10.8	8.7	7.1					
4th gear (kph)	22.8	19.4	13.4								

Optional equipment

Main frame

- Wheel chocks.

System

- Ansul dual bottle fire suppression with Engine kill.
- Lincoln auto lube with timer.

Electrical system

- Amber strobe light - power on.
- Side light.
- Tail and brake lights.

Controls and instruments

- Blockout 4th gear.
- DDEC - Diagnostic data reader.

Power unit

- Epoxy coated radiator.

Documentation

- LinkOne parts catalogue, CD.
- Operator's and maintenance manual - plasticised.

Parts kit

- 1 000 hour consumables.
- Articulation Repair Kit.

Other

- Face mechanics tool set.
- Tool box.

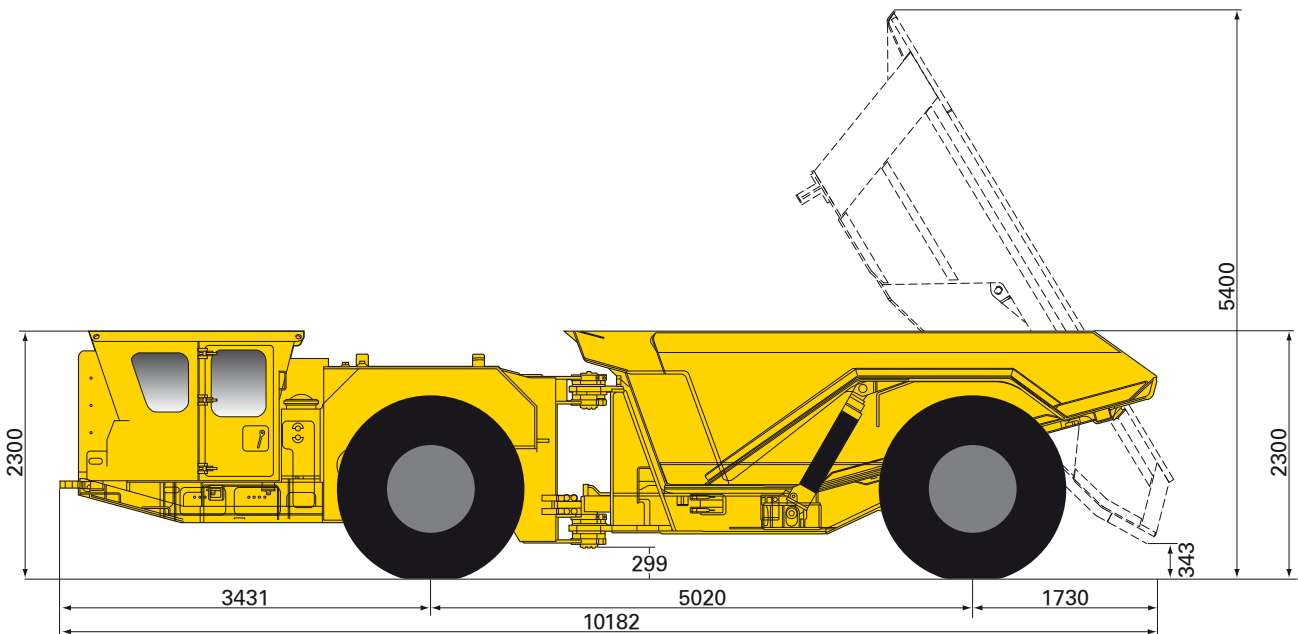
Dump boxes

Dump box data		STD
Material density (t/m ³)		2.2
Volume, SEA struck (m ³)		13.0
Volume, Semi-heaped (m ³)		14.8
Volume, SAE heaped (m ³)		16.7
Width, dump box (mm)		3353
Dump position: Box height, max (mm)		5402
Tramming position: Dump box height (mm)		2 300
Dump position: Tailgate clearance (mm)		343

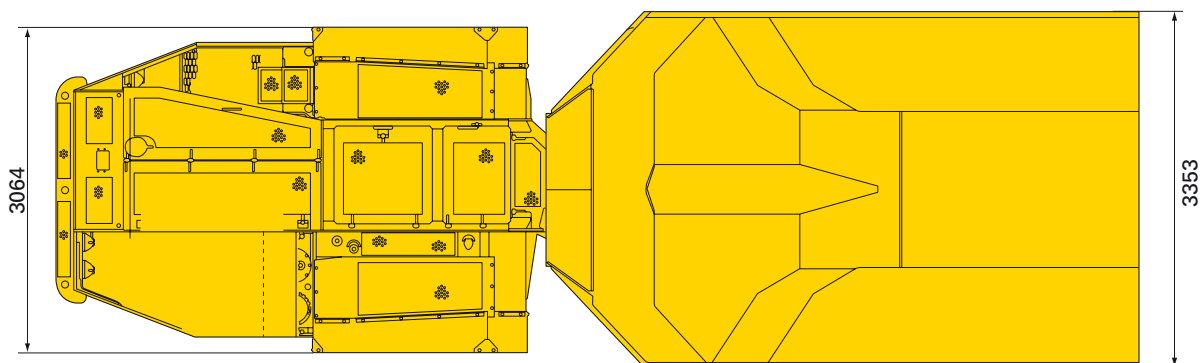
Dimensions and weights

Approximate gross weight30 600 kg
 Axle load, front end20 500 kg
 Axle load, back end.....10 100 kg

Standard equipped vehicle with empty box.



Side view



Top view

- Dimensions shown are based on standard vehicle configuration with 25 mm tyre deflection.
- All dimensions are shown in millimetres.



© Copyright 2009, Atlas Copco Rock Drills AB, Örebro, Sweden. All product names in this publication are trademarks of Atlas Copco. Any unauthorized use or copying of the contents or any part thereof is prohibited. Illustrations and photos in this brochure may show equipment with optional extras. No warranty is made regarding specifications or otherwise. Specifications and equipment are subject to change without notice. Consult your Atlas Copco Customer Center for specific information.

9851 2531 01 C
 11/2007