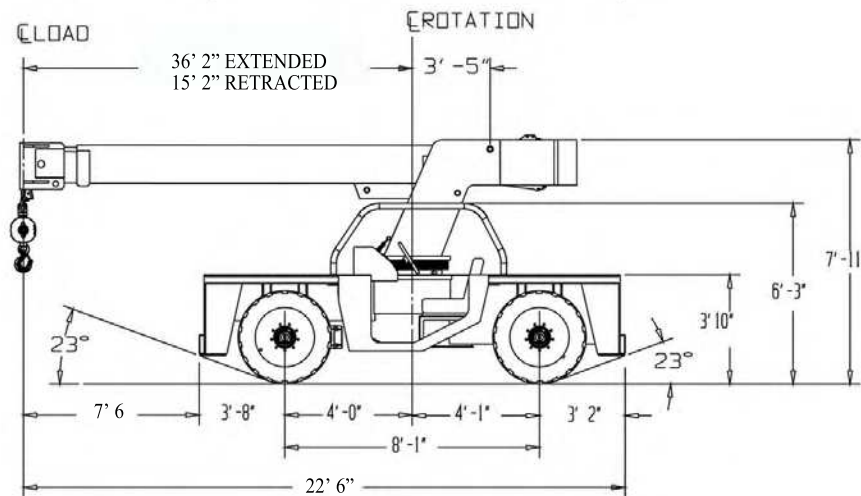
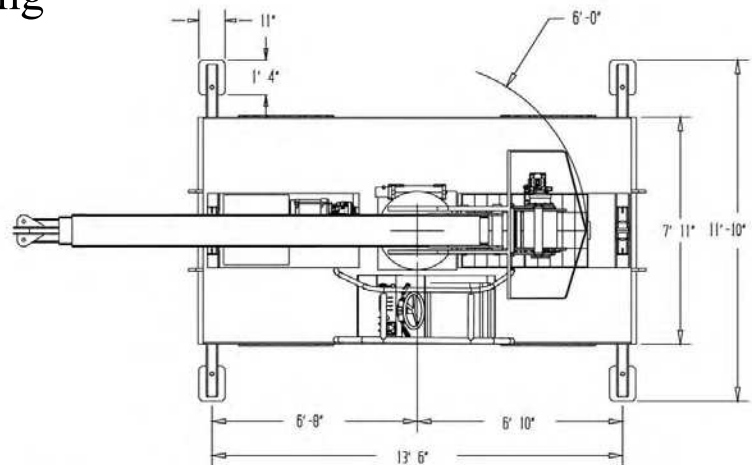
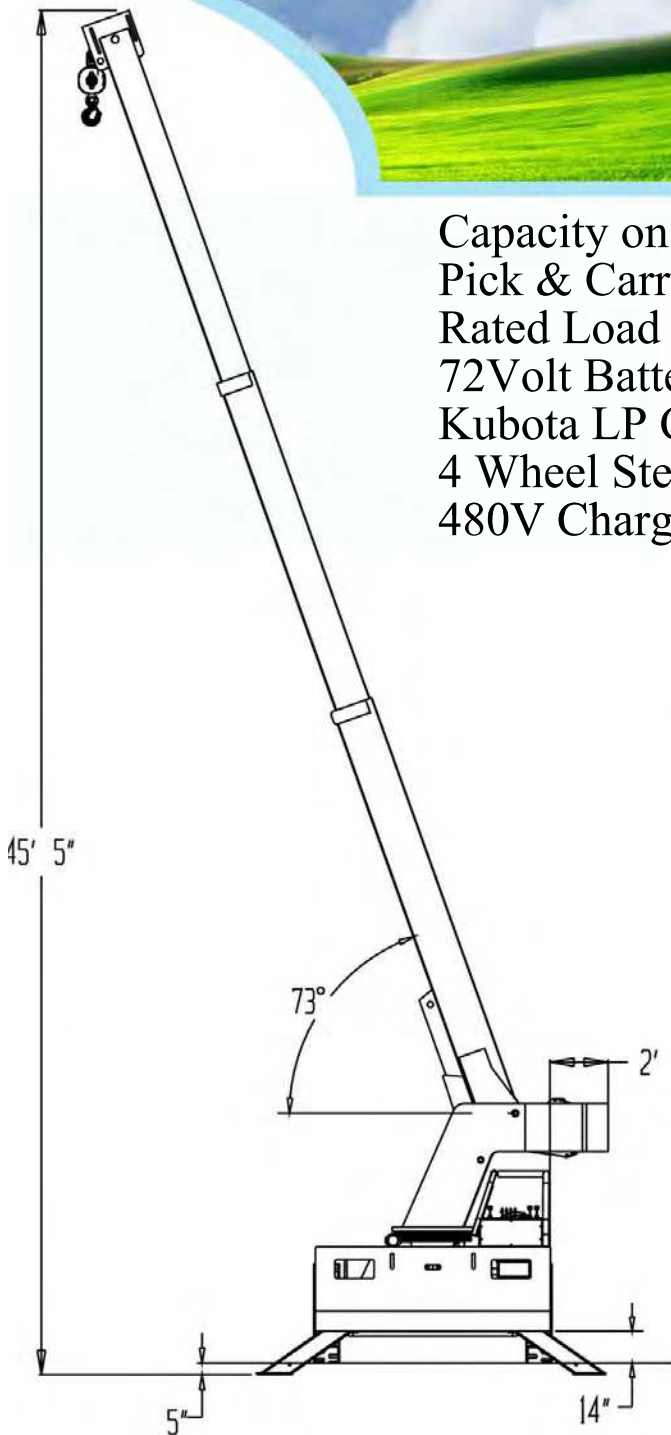


Environmentally Friendly & People-Safe Carry-Deck Cranes

✓ Battery Power Mode for Zero Emissions & Quiet Operation

✓ Propane Engine Mode for Continuous Operation (Hybrid Option)

Capacity on Outriggers30,000 lbs
Pick & Carry Capacity16,200 lbs
Rated Load Limiter
72Volt Battery Power
Kubota LP Charging Engine
4 Wheel Steering
480V Charger



CAPACITIES APPLY TO OPERATION ON FIRM LEVEL SURFACE					
RADIUS FEET	LOAD	MAIN BOOM OR EXTENSION CAPACITIES IN POUNDS			
		360 ROTATION		OVER FRONT	
		ON RUBBER	ON OUTRIGGERS	ON RUBBER	ON OUTRIGGERS
MAIN BOOM	6	16200	30000	16200	30000
	8	13200	24000	13200	24000
	10	11000	19800	11000	19800
	12	8100	16100	8250	16100
	14	6250	13500	7100	13500
	16	5000	11200	6000	11200
	18	4100	10000	4950	10000
	20	3400	8800	4100	8800
	22	2850	7700	3450	7800
	24	2400	6600	2900	6900
	26	2100	5750	2500	6200
	28	1850	5150	2200	5700
	30	1650	4650	1950	5300
15' BOOM EXT.	32	1450	4200	1700	4900
	36	1150	3400	1400	4200
	40	900	3050	1200	3600
	44	650	2600	950	3100
	51	250	1900	600	2400

BC-30 OPTIONS

- Hybrid Charging Engine
- 15' Boom Extension
- Non-Marking Tires
- Clean Room Package
- Strobe Light
- Hazardous Environment
- Omni-Directional Steering

BAILEY CRANES

8111 W BRADLEY ROAD

MILWAUKEE, WI 53223

414-446-8412

WWW.BAILEYCRANES.COM

SALES@BAILEYCRANES.COM

BOOM EXTENSION ANGLE	15-FOOT BOOM EXTENSION - STRAIGHT OR OFFSET						
	MAIN BOOM ANGLE						
	0°	15°	30°	40°	50°	60°	70°
0°	--	3100	3450	3900	4650	6000	7500
15°	--	3000	3100	3300	3650	4250	5200
30°	--	--	3000	3050	3200	3450	3900

