



**Bobcat**®

**S175**

Compact Loaders



## Machine Rating

Rated operating capacity	895 kg
Tipping load	1872 kg
Pump capacity – S175	64 l/min
Pump capacity – S175H	100 l/min
System relief at quick couplers	22.4-23.1 MPa
Max. travel speed (low range)	11.8 km/h
Max. travel speed (high range - option)	17.9 km/h

## Engine

Make / Model	Kubota / V2203-M-DI-E2B-BC-3
Fuel / Cooling	Diesel / Liquid
Power	34.3 kW
Torque at 1700 RPM (SAE J1 995 Gross)	145 Nm
Number of cylinders	4
Displacement	2196 cm <sup>3</sup>
Fuel tank capacity	90.8 l

## Weights

Operating weight, S175	2853 kg
Operating weight, S175H	2873 kg

## Controls

Vehicle steering	Direction and speed controlled by two hand levers
Loader hydraulics tilt and lift	Separate foot pedals or optional Advanced Control System (ACS)
Front auxiliary	Electrical switch on right-hand steering lever

## Drive System

Transmission	Infinitely variable tandem hydrostatic piston pumps, driving two fully reversing hydrostatic motors
--------------	---

## Standard Features

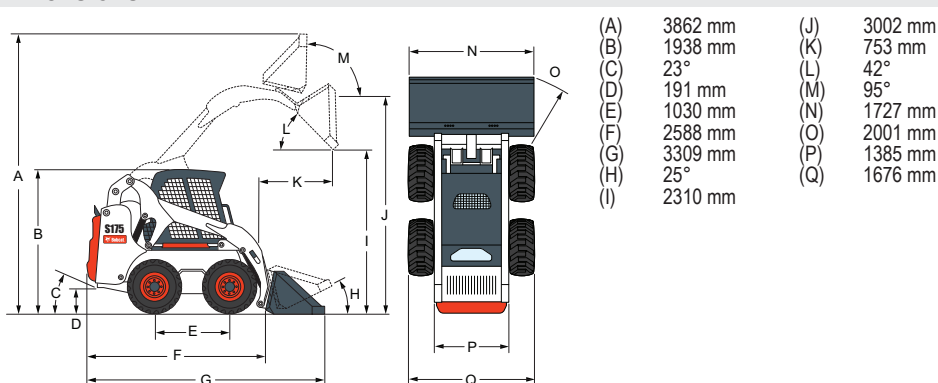
High-back cushion suspension seat	Engine/hydraulics system shutdown
Automatically activated glow-plugs	Hydraulic bucket positioning
Bob-Tach™ frame	Instrumentation
Bobcat Interlock Control System (BICS)	Lift arm support
Deluxe ROPS operator cab	Operating lights, front and rear
Includes interior cab foam, side, top and rear windows	Parking brake
Horn	Seat belt
Electrically activated proportional front auxiliary hydraulics	Seat bar
	Spark arrestor muffler
	10 x 16.5, 10-ply, Heavy duty tyres
	CE certification

\* Roll Over Protective Structure (ROPS) – meets requirements of SAE-J1040 and ISO 3471; Falling Object Protective Structure (FOPS) - meets requirements of SAE-J1043 and ISO 3449, Level I

## Options

Deluxe instrument panel	10 x 16.5, 10-ply, Severe duty tyres
High Flow Hydraulics	10 x 16.5, 10-ply, Severe duty tyres, poly filled
Power Bob-Tach™	Advanced Control System (ACS)
Cab enclosure with heat	Advanced Hand Controls (AHC)
31 x 12-16.5, 10-ply, Superflotation tyres	Selectable Joystick Controls (SJC)
10 x 16.5, 10-ply, Heavy duty tyres, offset rims	Two speed

## Dimensions



## Attachments

- Angle blade
- Angle broom\*†
- Auger
- Backhoe
- Box blade
- Brushcat rotary cutter
- Buckets
- Chipper\*
- Combination bucket
- Concrete pump\*
- Cutter crusher\*
- Digger
- Dozer blade\*
- Dumping hopper
- Farm grapple
- Grader\*
- Hydraulic breaker\*\*
- Industrial grapple
- Landplane
- Landscape rake
- Mixing bucket\*
- Pallet fork – standard
- Pallet fork – hydraulic
- Planer\*
- Rear stabiliser
- Scarifier
- Snow blower\*
- Sod layer\*
- Soil conditioner\*
- Spreader
- Stump grinder\*
- Super scraper
- Sweeper
- Three-point hitch
- Tiller
- Tilt-Tatch™
- Tracks, steel
- Tree transplanter\*
- Trench compactor
- Trencher
- Utility forks
- Vibratory roller
- Water kit
- Wheel saw
- Whisker broom

\*Attachment control kit required.

\*\*When operating the loader with this attachment, a Special Applications Kit, which includes a 12 mm Lexan front door with 6 mm top and rear windows, must be used.

†Optional water kit.



[www.bobcat.eu](http://www.bobcat.eu)