

Specifications

Performance

Rated Operating Capacity¹
 ROC with Optional Counterweight
 Tipping Load
 Hydraulic Pump Capacity
 High Flow Option
 Travel Speed
 Operating Weight

S175

1750 lb. (794 kg)
 1850 lb. (839 kg)
 3900 lb. (1769 kg)
 16.9 GPM (63 L/min.)
 26.4 GPM (102 L/min.)
 7.3 MPH (11.3 km/hr.)
 5808 lb. (2635 kg)

S185 Turbo

1850 lb. (839 kg)
 1950 lb. (885 kg)
 3900 lb. (1769 kg)
 16.9 GPM (63 L/min.)
 26.4 GPM (102 L/min.)
 7.3 MPH (11.3 km/hr.)
 5808 lb. (2635 kg)

Dimensions

Length (with bucket)
 Width (with bucket)
 Height
 Height to Bucket Pin

130.3 in. (3309 mm)
 68.0 in. (1727 mm)
 76.3 in. (1938 mm)
 118.2 in. (3002 mm)

Engine

Make/Model
 Fuel/Cooling
 Cylinders
 SAE NET HP/Displacement
 Fuel Tank Capacity

Kubota/V2203M-DI
 Diesel/Liquid
 4
 46/134 in.³ (2.2 L)
 23 gal. (87.1 L)

Kubota/V2203M-DI-T
 Diesel/Liquid
 4
 56/122 in.³ (2.0 L)
 23 gal. (87.1 L)

Operation

Steering and Drive

Forward, reverse, travel speed and steering controlled by two hand levers.

Hydraulics

Raise/lower lift arms and dump/rollback bucket controlled by two foot pedals or optional hand controls.

Transmission

Hydrostatic, four-wheel drive.

Standard Features

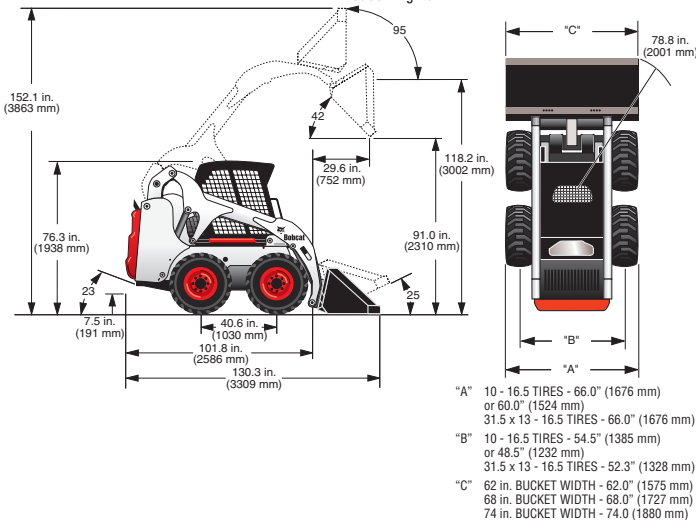
Adjustable Cushion Seat
 Automatically Activated
 Glow Plugs
 Bobcat Interlock Control System (BICS™)
 Bob-Tach
 Deluxe Cab
 Dual Path Cooling System
 Engine/Hydraulic Shutdown
 Front Auxiliary Hydraulics
 Front & Rear Lights

Lift Arm Support
 Gauges/Warning Lights
 Operator Cab
 Parking Brake
 Seat Bar (available for all Bobcat loaders)
 Seat Belt
 Spark Arrestor Muffler (S175 only)
 10-16.5 Bobcat Standard Duty Tires
 Turbo-Charger (S185 only)
 (Approved Spark Arrestor)

Options/Accessories

Advanced Control System (ACS)
 Air Conditioning (S185 only)
 Alarm Package (backup alarm and horn)
 Attachment Control Kit
 Bobcat Heavy Duty Tires
 Heavy Duty Offset
 Bobcat Poly-Fill Tires
 Bobcat Severe Duty Tires
 Bobcat Super Float Tires
 Cab Enclosure
 Cab Heater
 Catalytic Purifier
 Counterweight
 Deluxe Instrument Panel
 Flasher/Strobe/Rotating Beacon Lights

Gold Package Option
 High Flow Auxiliary Hydraulics Package
 Hydraulic Bucket Positioning²
 Keyless Start System
 Power Bob-Tach
 Radio Kit
 Rear Auxiliary Hydraulics
 Service Safety/Training Kit
 Side Windows
 Skid-Steer Loader Operator Training Kit
 Sound Cab
 Special Applications Kit³
 Suspension Seat (vinyl or cloth cover)



Bobcat S175 and S185 skid-steer loaders...greater performance, visibility, comfort and value!

Greater Performance

Vertical-path lift arms deliver added performance on every jobsite:

- More lift capacity.
- More lift height and reach for truck loading.
- More auxiliary hydraulic flow for better attachment operation.

Greater Visibility

The low-profile, vertical-path lift arm design and innovative cab enhance the operator's view to key areas during operation: the sides, front and rear corners of the loader.

Even with the optional front door, the S175 and S185 offer good visibility. As any operator will tell you, a better view of the work area means greater efficiency.

Greater Comfort

The cab is designed with the operator in mind, for optimum comfort and functionality. And with its larger opening and dual-tilt cylinder lift arm design, it's easy to enter and exit.

The seat bar pivots from the rear, providing secondary restraint protection; it's also a comfortable armrest for operators of all sizes. Plus, the worklight design doubles the amount of illumination to the work area for better operation in low-light areas.

Greater Options

- Factory- or field-installed, easy-to-read deluxe instrument panel.
- High-flow auxiliary hydraulics to operate attachments requiring high hydraulic horsepower, such as planers and stump grinders.
- Full suspension seat for all-day operator comfort.

Greater Value

Couple these features with proven power, smooth ride and vertical lift path capabilities and you've got skid-steer loaders that deliver top performance, no matter what the job. Get in the seat of a S175 or S185 today for a great view and an even greater value!

S175

1750 LB.
 Rated Operating Capacity
118.2 IN.
 Lift Height
46 HP
 Liquid-Cooled Diesel Engine

S185 Turbo

1850 LB.
 Rated Operating Capacity
118.2 IN.
 Lift Height
56 HP
 Turbo-Charged, Liquid-Cooled Diesel Engine

Optional Deluxe Instrument Package includes:

- Multi-language capability
- System diagnostic capability
- All gauges read in metric or English units
- Feature lockouts
- Keyless start security
- Digital and job clocks
- Help screens
- Attachment information

NOTE - Where applicable, dimensions are in accordance with Society of Automotive Engineers (SAE) and ISO standards. Specifications and design are subject to change without notice. Pictures of Bobcat loaders may show other than standard equipment. All dimensions are given for loader equipped with standard tires. All dimensions are shown in inches. Respective metric dimensions are enclosed by parentheses. Bobcat Company complies with the requirements of ISO 9001 as registered with BSI.

¹ Operating capacity rated with standard digging bucket according to SAE standard J818 - OPERATING CAPACITY TO EQUAL NO MORE THAN ONE HALF THE TIP LOAD.

² Bucket positioning helps operator keep the same tilt of the load during lifting.

³ Includes Lexan front door, top and rear windows.

⁴ Special application kit (see #3) must be used.

Bobcat Attachments for these models:

Angle Broom*
 Auger
 Backhoe
 Box Blade
 Brushcat
 Rotary Cutter
 Buckets
 Chipper*
 Combination Bucket
 Concrete Mixer*
 Concrete Pump*
 Digger
 Dozer Blade*
 Drop Hammer
 Dumping Hopper
 Ejector Bucket
 Farm Grapple (for use with utility fork or bucket)

Front Scarifier
 Grader*
 Hydraulic Breaker⁴
 Hydraulic Pallet Fork
 Industrial Grapple
 Landplane
 Landscape Rake
 Mower
 Packer Wheel
 Pallet Fork
 Planer*
 Rear Stabilizer
 Root Rake
 Scarifier
 Scraper
 Seeder
 Snow Blade
 Snowblower*
 Sod Layer*
 Soil Conditioner*
 Spreader
 Stump Grinder*
 Sweeper
 Three-Point Hitch
 Tiller
 Tilt-Tatch
 Tracks
 Tree Spade*
 Trench Compactor
 Trencher
 Utility Fork
 Vibratory Roller
 Water Kit
 Wheel Saw
 Whisker
 Push Broom

* Attachment Control Kit Required.