

Performance

Lifting height — on stabilisers	13656.0 mm
Lifting height — on tyres	13300.0 mm
Rated capacity	4100 kg
Capacity (at max. height on stabilisers)	4100 kg
Capacity (at max. height on tyres)	2500 kg
Capacity (at max. reach on stabilisers)	1250 kg
Capacity (at max. reach on tyres)	500 kg
Max. reach on tyres	9449.0 mm

Weights

Weight (unladen)	10530 kg
------------------	----------

Traction

Standard tyres	DUNLOP 400/80-24 156B T37
1st gear / low range	8.5 km/h
1st gear / high range	30.0 km/h

Drive System

Transmission	Hydrostatic with electronic regulation
Main drive	Hydrostatic motor

Engine

Make / Model	Bobcat D34
Fuel	Diesel
Cooling	Coolant
Rated power (ISO 14396:2002) at 2400 RPM	100.0 HP
Rated power (ISO 14396:2002) at 2400 RPM	74.5 kW
Maximum torque at 1400 RPM	430.0 Nm
Number of cylinders	4
Displacement	3.40 L

*Stage IIIB Bobcat D34 also available in 55kW/75HP version (without SCR/Ad-Blue after-treatment)

Hydraulic System

Pump type	Gear pump with LS valve
Pump capacity	100.00 L/min
Relief valve pressure setting	255.00 bar

Cycle Times

Lift time - no load	12.8 s
Lower time - no load	8.4 s
Telescope in time at max. reach - no load	12.9 s
Telescope in time at max. height - no load	11.3 s
Telescope out time at max. reach - no load	18.8 s
Telescope out time at max. height - no load	18.8 s

Brakes

Engine braking	Hydrostatic
Parking and emergency brake	Passive brake

Fluid Capacities

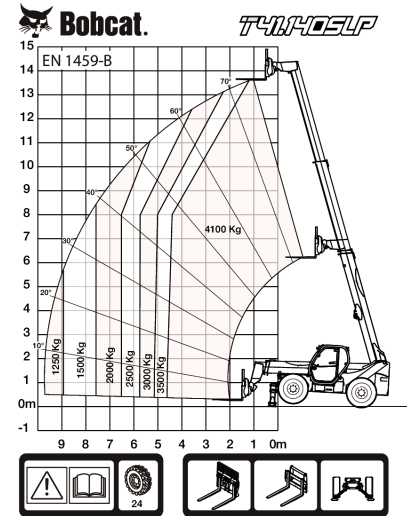
Fuel tank	145.00 L
Hydraulic reservoir	76.00 L

Environmental

Operator noise level (LpA) (EN 12053)	78 dB(A)
Level of acoustic power (LWA)	106 dB(A)
Whole body vibration (EN 13059)	1.20 ms ⁻²

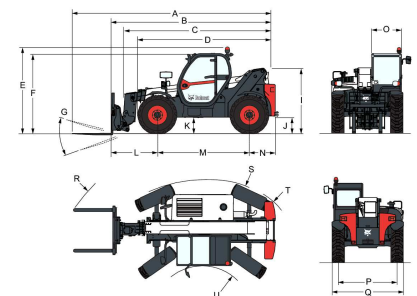
Load Charts

With forks and standard 400/80x24 tyres, on stabilisers



99001 G7

7294818

Dimensions


(-) 857.0 mm	(L) 2151.0 mm
(A) 7313.0 mm	(M) 2850.0 mm
(B) 6108.0 mm	(N) 1107.0 mm
(C) 5709.0 mm	(O) 930.0 mm
(D) 4573.0 mm	(P) 1992.0 mm
(E) 2673.0 mm	(Q) 2418.0 mm
(F) 2480.0 mm	(R) 5745.0 mm
(G) 124.0°	(S) 4150.0 mm
(I) 1956.0 mm	(U) 1519.0 mm
(J) 509.0 mm	