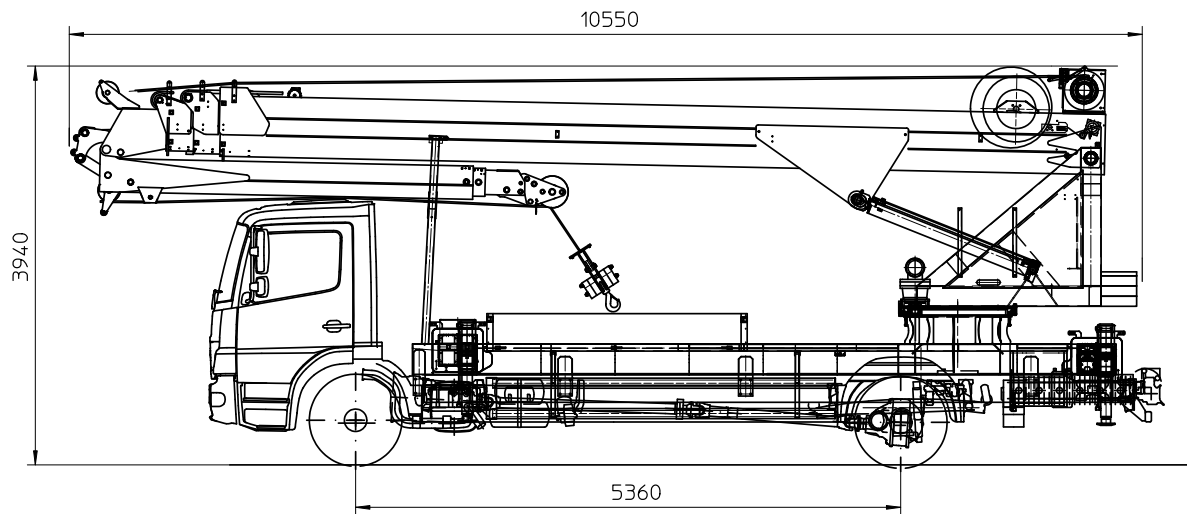


Böcker Truck Crane AK 44/4000 PLC on a 15,5t truck

07/2010

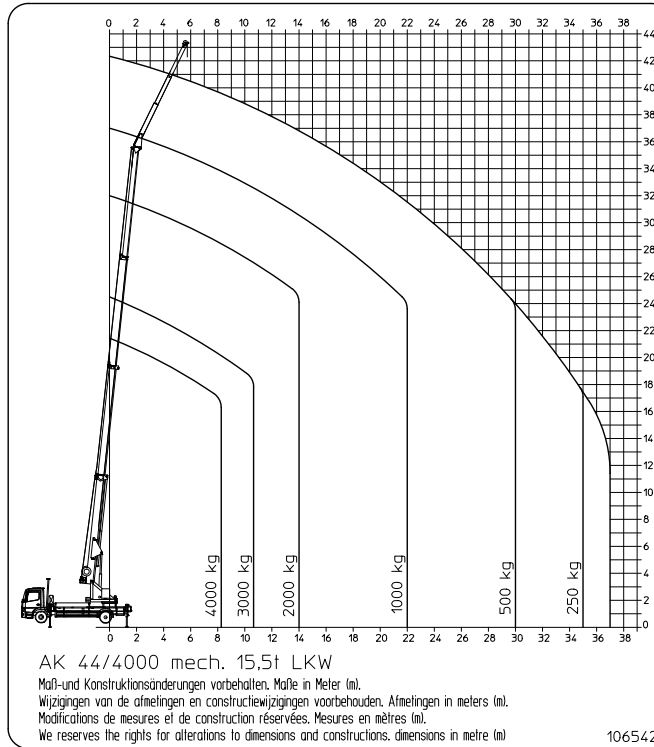


Dimensions / Specifications

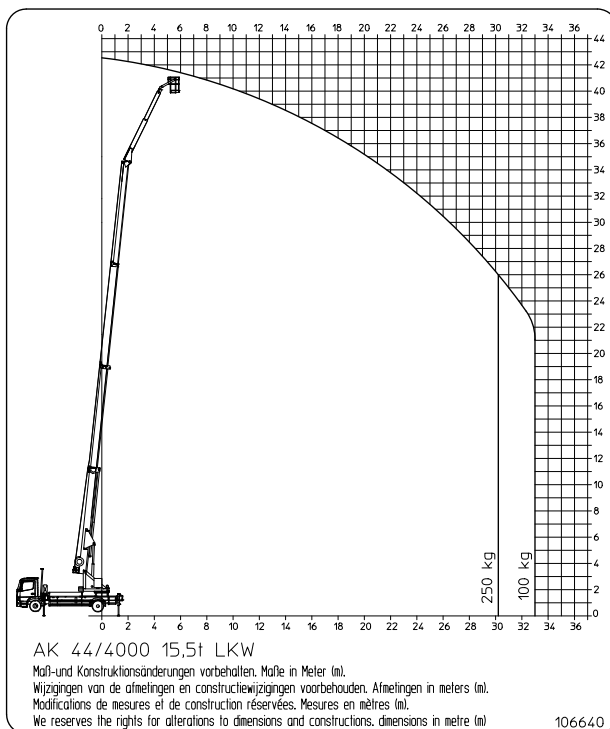
| | | | |
|---|-----------------------|--|-----------------------|
| Telescope arm angle | approx. 87 degrees | <i>Max. Range of crane operation with 15,5 t truck</i> | |
| Jib angle | approx. 165 degrees | | |
| Swivel area | approx. 620 degrees | 500 kg Lifting capacity | approx. 30.00 m |
| Working height up to jib | approx. 33.00 m | 1000 kg Lifting capacity | approx. 22.00 m |
| Max. extension length including mech. extension (2,0 m) | approx. 44.00 m | 2000 kg Lifting capacity | approx. 14.00 m |
| | | 4000 kg Lifting capacity | approx. 8.20 m |
| Max. extension length | approx. 42.00 m | | |
| Extendible Jib | | | |
| Basic length | approx. 4.55 m | | |
| max. extendible length | approx. 8.90 m | <i>Max. Range of platform operation</i> | |
| Current of hydraulic pump | approx. 100 litres | | PK 250-1 PK 250-D |
| Hook speed | approx. 60 m/min | 100 kg Lifting capacity | approx. 33.00 33.00 m |
| Support length | approx. 6.05 m | 250 kg Lifting capacity | approx. 30.00 30.00 m |
| Support width | approx. 5.74 m | Max. working height | approx. 41.50 38.00 m |
| One-sided support | approx. 4.15 m | | |
| Length vehicle | approx. 10.55 m | <i>Truck Data</i> | |
| Width vehicle | approx. 2.55 m | Min. wheelbase | 5360 mm |
| Height vehicle DB/MAN | approx. 3.94 / 3.99 m | Gross vehicle weight | 15.5 t |
| Body weight | approx. 9,600 kg | Max. dead weight | 5.3 t |

All rights reserved for changes in dimension and construction!

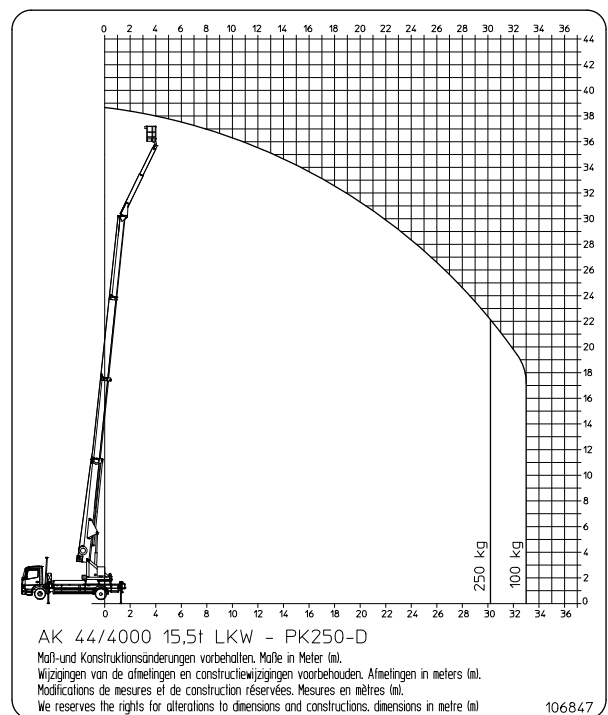
Work diagram



PK 250-1



PK 250-D



All rights reserved for changes in dimension and construction!