



BOMAG
FAYAT GROUP

Refuse Compactors

BC672RB-3, BC772RB-3



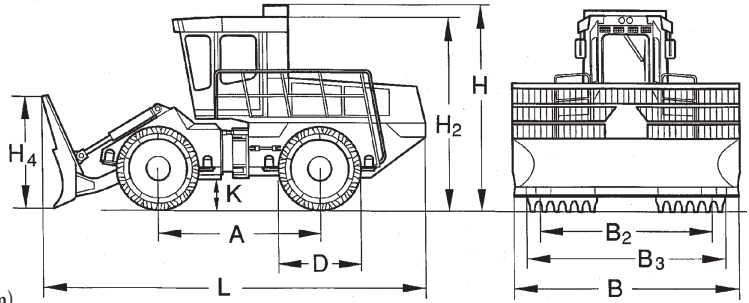
KEY FEATURES

- Mercedes Tier 4i engine
- BOMAG Pakall polygonal wheels
- Premium chill cast teeth
- 2 wire cutters per wheel
- Adjustable front and rear wheel scrapers
- Center joint oscillation / articulation
- Sealed front and rear frame design
- Automatic central lubrication system
- Quiet operation – quiet cab
- Efficient hydrostatic drive system
- Stable and safe operation on slopes
- High compaction densities



Technical Specifications

BC672 / 772RB-3



Dimensions in inches (mm)

	A	B	B ₂	B ₃	D	H	H ₂	H ₄	K	L
BC672 / 772RB-3	137.8 (3500)	170 (4318)	139.8 (3550)	148.6 (3775)	65.3 (1660)	162.2 (4120)	150.4 (3820)	76.8 (1950)	23.6 (600)	329.5 (8370)

Standard Equipment

- Mercedes Tier 4i Engine
- SCR Technology
- Hydraulic fan drive

Optional Equipment

- 170 in Straight Blade
- 169 in Semi-U Blade



Technical

Weights

Operating weight CECE	lbs (kg)
Axle load, front CECE	lbs (kg)
Axle load, rear CECE	lbs (kg)

Driving Characteristics

Speed (1), forward / reverse	mph (km/h)
Speed (2), forward / reverse	mph (km/h)
Speed (3), forward / reverse	mph (km/h)
Max. gradeability	%

Drive

Engine manufacturer	Type	Tier Compliance	Cooling	Number of cylinders	Performance SAE J 1349 / ISO 9249	Speed	Operating voltage	Travel drive system	Number of driven wheels
---------------------------	------------	-----------------------	---------------	---------------------------	---	-------------	-------------------------	---------------------------	-------------------------------

Compaction Wheels

Front width	in (mm)
Rear width	in (mm)
Number of front teeth	
Number of rear teeth	

Brakes

Service brake	Parking brake
---------------------	---------------------

Steering

Steering system	Steering method	Track radius, inner	Steering / oscillating angle +/-
-----------------------	-----------------------	---------------------------	--

Dozer Blade

Height adjustment over ground level	Height adjustment below ground level
---	--

Capacities

Fuel	Engine oil	Hydraulic oil	Diesel exhaust fluid
------------	------------------	---------------------	----------------------------

Shipping Dimensions

With blade

BOMAG BC672RB-3

71870 (32600)	33730 (15300)	38140 (17300)
---------------	---------------	---------------

0 - 2.5 (0 - 4)	0 - 4.7 (0 - 7.5)	0 - 7.5 (0 - 12)	100
-----------------	-------------------	------------------	-----

Mercedes	OM 460 LA	Tier 4i	Water	6 Inline	449 (335)	1800	24	hydrostatic	4
----------	-----------	---------	-------	----------	-----------	------	----	-------------	---

53.1 (1350)	44.3 (1125)	60	50
-------------	-------------	----	----

hydrostatic	hydromechanical
-------------	-----------------

oscil. artic.	hydraulic	121.7 (3090)	40 / 15
---------------	-----------	--------------	---------

47.2 (1200)	4.7 (120)
-------------	-----------

132.1 (500)	10.3 (39)	92.5 (350)	25 (95)
-------------	-----------	------------	---------

4290.7 (121.5)

BOMAG BC772RB-3

81570 (37000)	38360 (17400)	43210 (19600)
---------------	---------------	---------------

0 - 2.5 (0 - 4)	0 - 4.7 (0 - 7.5)	0 - 7.5 (0 - 12)	100
-----------------	-------------------	------------------	-----

Mercedes	OM 460 LA	Tier 4i	Water	6 Inline	449 (335)	1800	24	hydrostatic	4
----------	-----------	---------	-------	----------	-----------	------	----	-------------	---

53.1 (1350)	44.3 (1125)	60	50
-------------	-------------	----	----

hydrostatic	hydromechanical
-------------	-----------------

oscil. artic.	hydraulic	121.7 (3090)	40 / 15
---------------	-----------	--------------	---------

47.2 (1200)	4.7 (120)
-------------	-----------

132.1 (500)	10.3 (39)	92.5 (350)	25 (95)
-------------	-----------	------------	---------

4290.7 (121.5)

Technical modifications reserved. Machines may be shown with options.