

BOMAG

FAYAT GROUP

FINISHER
BF 300 C, S340 E-TV
S340 E-V
S340 G-TV
S340 G-V

PERFORMANCE DATA



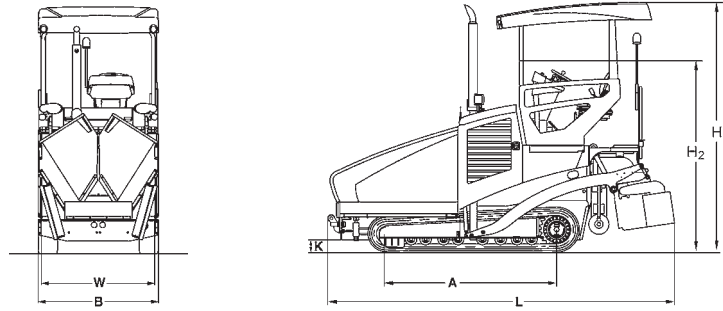
BOMAG

FAYAT GROUP

Technical Data

Shipping dimensions in m³

BF 300 C, S340-E	22,394
BF 300 C, S340-G	22,394



Standard equipment

- ECOMODE
- Lateral seat and platform adjustment, Side View System
- GRP-roof, hydr. tiltable, 4-fold roof lighting
- L.C.S. Screed relief system
- Individually controlled hopper wings
- Reversible and individually controlled scraper belts
- Reversible and individually controlled augers
- Continuous tamper and vibration adjustment
- Fully automatic screed heating (gas or electric)
- BOMAG central electrics, service and fault code display
- Hydraulic pre-tensioning of crawler tracks with overload protection
- Remote control of material flow sensors from the lateral screed control panels
- Mechanical crown adjustment
- Electro-mechanical sensors for scraper belts
- Ultrasound sensors for augers
- Central lubrication for screed and auger

Optional equipment

- Screed S340 G (gas heating)
- Screed S340 E (electric heating)
- Screed with tamper and vibration
- Screed with vibration only
- Screed extension 30 cm (3.4 m to 4.0 m)
- Cleaning kit
- Hydraulic auger lift
- Ultrasound sensors for scraper belts
- Hydraulic crown adjustment
- Optional generator 230 V, 50 Hz, frequency stabilized
- Optional paint finish
- Ultrasound or electro-mechanical levelling systems
- Cross-slope levelling system
- Electric side plate heating for screed S340E
- Automatic central lubrication system for screed and auger

Dimensions in mm

	A	B	H	H ₂	K	L	W
BF 300 C	2200	1740	3350	2700	170	4950	1700

Technical Data

Weights

Operating weight CECE kg

Dimensions

Transport length mm 4950
 Transport width mm 1740
 Transport height mm 2700

Travel characteristics

Travel speed (1) km/h 0-4.9
 Working speed (1) m/min 0-26

Drive

Engine manufacturer	Kubota	Kubota
Type	V3307 T	V3307 T
Cooling	Water	Water
Number of cylinders	4	4
Rated power ISO 3046	55.4 kW	55.4
Speed	2200 min ⁻¹	2200

Crawler assembly

Crawler track		
-Axle base	mm 2200	2200
-Width	mm 260	260

Hopper

Capacity	m ³ 4.8	4.8
Width (wings open)	mm 3075	3075
Width (wings closed)	mm 1740	1740
Length	mm 1660	1660
Filling height (middle)	mm 540	540

Scraper belt / auger

Number	2	2
Width	mm 220	220
Speed	m/min 30	30
Individual control	Standard	Standard
Reversing operation	Standard	Standard

Conveyor auger

->Number	2	2
->Auger diameter	mm 280	280
->Rotary speed	l/min 100	100
->Reversing operation	Standard	Standard

Screed

Screed type	S340-E	S340-G
Basic width retracted	mm 1700	1700
Basic width extended	mm 3400	3400
Max. working width	mm 4000	4000
min. width with reduction skids	mm 750	750
Mat thickness	mm 250	250
Smoothing plate depth	mm 305	305
Smoothing plate thickness	mm 12	12
Heating	Electric	Gas
Crown	% -3 ... +4,5	-3 ... +4,5
Tamper frequency	Hz 0-30	0-30
Vibration frequency	Hz 20-50	20-50
Basic weight	kg 1000	1000
Max. weight	kg 1200	1200

Filling capacities

Fuel	l 100	100
Hydraulic oil	l 80	80

Operating/control elements

Number of driver's seats	1	1
Side View	Standard	Standard
LCS System	Standard	Standard

Technical modifications reserved. Machines may be shown with options.

BOMAG
 Hellerwald
 D-56154 Boppard
 Postfach 5162
 D-56149 Boppard
 Tel. (0)6742 - 1000
 Fax (0)6742 - 3090

BOMAG
FAYAT GROUP