

Bronto Skylift S 112 HLA

Data sheet

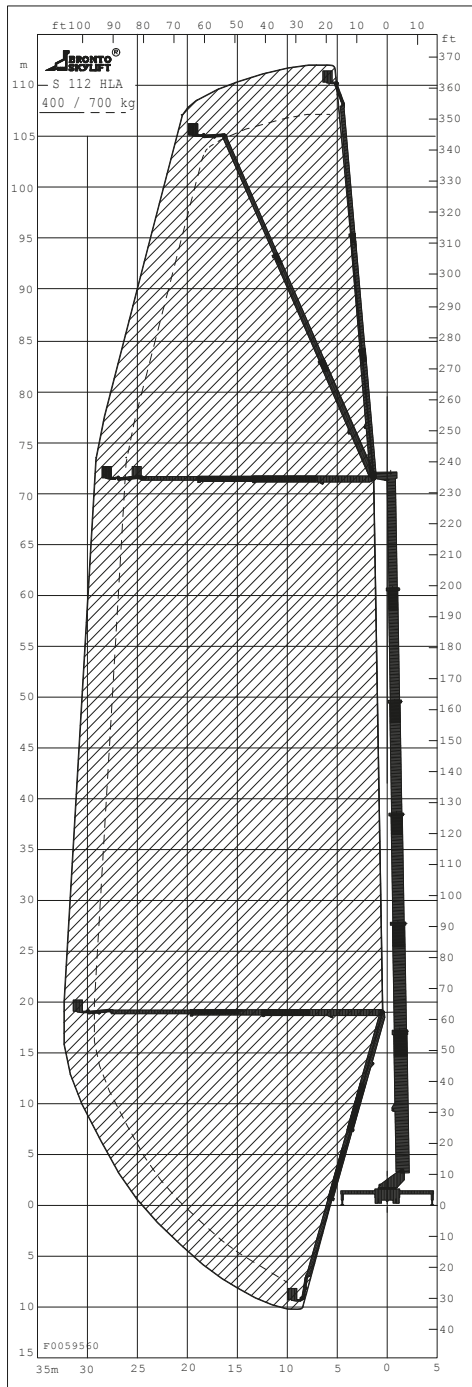


Technical data

- Max. working height 112 m
- Max. outreach 33 m
- Max up and over 27 m
- Max. cage load 700 kg
- Typical chassis GVW 74 t
- Max. permitted wind speed 12,5m/s

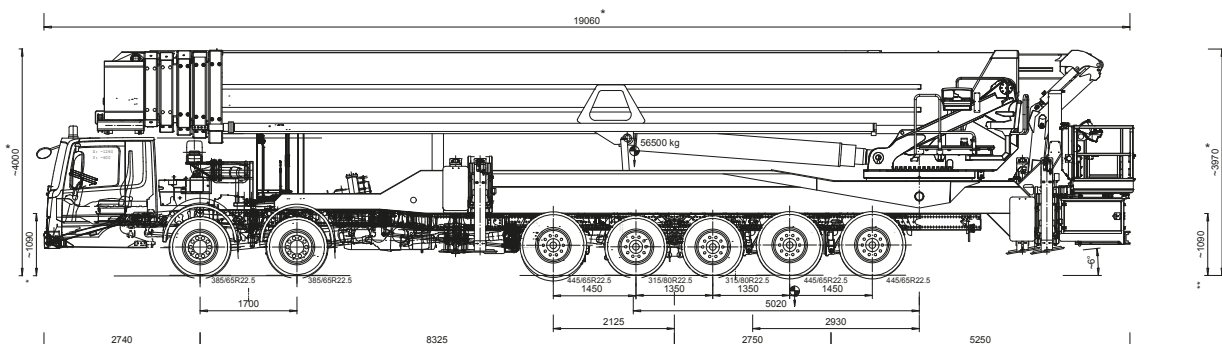
Features

- Automatic levelling
- Easy and precise control system
- Variety of optional equipment
- Spare part available for at least 25 years
- skyliftfleet.com
- Bronto Compass remote diagnostics



Optional equipment

- Extendable working cage with hydraulic extension up to 3,7 meters
- CW-300, detachable winch in the working cage 300 kg and winch arm slewing +/- 45 degrees (only for materials).
- Ultrasonic collision guard, 4 sensors
- Element lifting system. 1 pc capacity 150 kg.
- Lighting rig, capacity 300 kg
- B-WRC Wireless Remote Control
- A 6,5 kVA (230 V / 400 V / 50Hz) hydraulically driven generator.
- Bronto Loadman, portable device for measuring the bearing capacity of ground.
- Electric motor drive for the hydraulics



www.brontoskylift.com

e-mail: sales@brontoskylift.com

Technical data and illustrations subject to change without notice.

**BRONTO
SKYLIFT**