

CASE
CONSTRUCTION



N SERIES LOADER BACKHOE
580 N | 580 Super N | 580 Super N WT | 590 Super N



Power where you need it most – Everywhere!

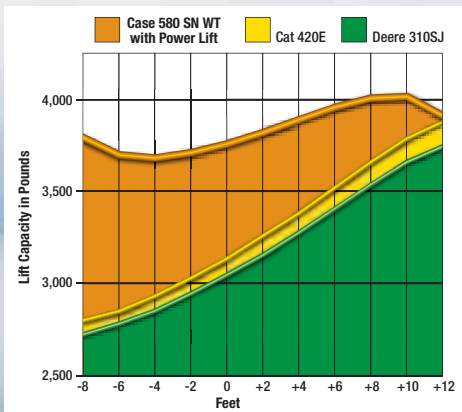
Put the industry's toughest loader/backhoe to work on your jobsite.

Proven performance

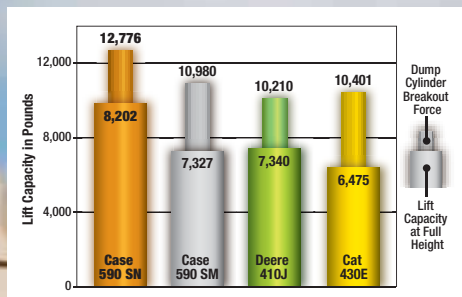
Long before we launched the new Case N Series loader/backhoes, veteran backhoe operators put our machines to work. And they agree. They're four tough machines. Re-engineered from the ground up, the new Case loader/backhoes deliver industry-leading backhoe breakout force, increased loader lift capacity/reach and best-in-class cab visibility.

Power lift

Our N Series machines out-muscle the competition with as much as 65 percent greater backhoe lift power. With our industry exclusive Power Lift, you'll think twice about hauling an excavator to the job. Plus, Power Lift can be used to break through extreme conditions such as a frost line, dry clay or roots. With the flick of a switch, a 580 Super N WT with Power Lift has up to 40 percent more capacity than the competition



Industry-leading backhoe boom lift



Superior loader lift and breakout force

to lift, curl, crane and move objects.

Best-in-class productivity

Our new loader arm design will boost your productivity. The loader delivers more breakout force. It has superior reach to dump material into the center of haul trucks with rail extensions. Our new machines have 36 percent greater lift capacity. Plus, we reach deeper dig depths than the previous market leader!

Superior comfort and visibility

When your operation runs day and night, our new cab keeps your operators productive. Floor-to-ceiling windows provide superior visibility. New rear-quarter windows provide easy communication to the back of the machine and improve cross-ventilation comfort. The high-intensity lighting package improves performance by 28 percent,



New rear-quarter windows and side lighting

providing superior visibility and overlapping field coverage. And our 'easy flex' side lights offer 45 degree rotation to deliver extra lighting where it's needed most.





Optimized hose routing for demolition work

New powershift transmission family

The N Series introduces a new transmission family, the Powershift H-type and Powershift S-type, allowing operators to shift from the column. The transmission provides a standard kick-down feature and introduces the industry exclusive SmartClutch modulation. The SmartClutch feature lets operators customize the transition from forward to reverse to meet the demands of their specific application.

Easy maintenance

Case is famous for easy ground line daily maintenance. Swing-out coolers are easy to access. Axles, with

outboard-mounted wet disc brakes, are serviceable without complete disassembly. Add a flip-up hood, spin-on filters, grouped site gauges, and you're saving routine maintenance time. Our customer support team also provides a Customer Assistance Hotline nearly 24 hours a day.

Want more info? Visit www.CompareCase.com or www.Casece.com. Then, see your Case dealer for a demonstration, climb inside and put a new N Series loader/backhoe to work.

STRONGER EVERYWHERE

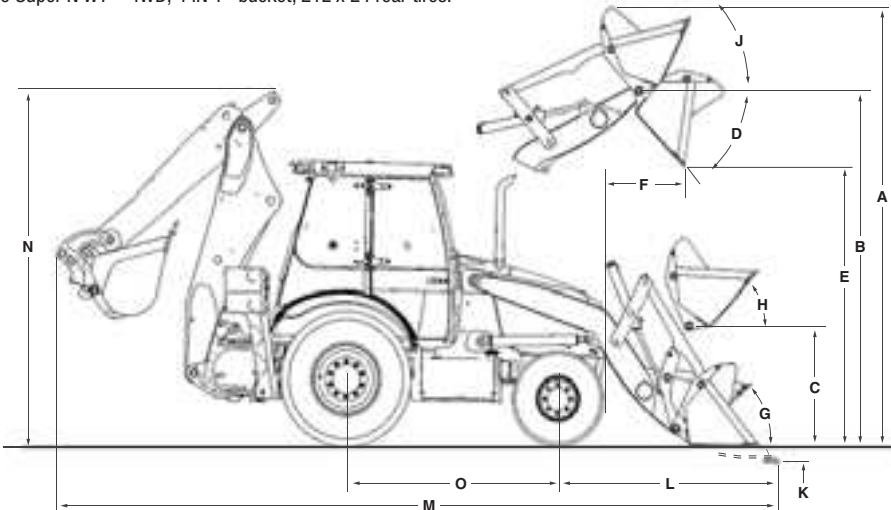


SPECIFICATIONS	580 N	580 Super N	580 Super N WT	590 Super N
Engine	Case 445T/M3		Case 445TA/E3	
Net hp (kW) @ rpm	79 hp (59 kW) @ 2200 rpm	95 hp (71 kW) @ 2200 rpm	95 hp (71 kW) @ 2200 rpm	108 hp (81 kW) @ 2200 rpm
Net max. torque @ 1400 rpm	366 Nm w/33° fan 364 Nm w/39° fan	328 lb-ft (445 N-m) 333 lb-ft (452 N-m) w/viscous fan	328 lb-ft (445 N-m) 333 lb-ft (452 N-m) w/viscous fan	380 lb-ft (515 N-m)
Dig Depth Classification	14 to 15 ft.	14 to 15 ft.	14 to 15 ft.	15 to 16 ft.
Standard Transmission	Powershuttle	Powershuttle	Powershift S-Type	Powershift S-Type
Optional Transmission	Powershift S-Type	Powershift S-Type	Powershuttle	Powershuttle
Optional Transmission	—	Powershift H-Type	Powershift H-Type	Powershift H-Type
Backhoe Breakout				
Bucket	11,333 lbf	14,223 lbf**	14,831 lbf**	15,652 lbf**
Dipper	6,710 lbf	9,069 lbf**	9,457 lbf**	9,478 lbf**
Loader Breakout				
Bucket	9,517 lbf	9,807 lbf	11,271 lbf	11,104 lbf
Dipper	10,622 lbf	10,947 lbf	10,873 lbf	12,776 lbf
Power Lift Option	—	Available	Available	Available
Lift capacity to full height ¹	6,454 lb (2930 kg)	6,703 lb (3040 kg)	8,025 lb (3640 kg)	7,807 lb (3541 kg)
Bucket cutting edge width ¹	82 in (2.08 m)	82 in (2.08 m)	93 in (2.36 m)	93 in (2.36 m)
Departure angle - 2WD/4WD	15.3° / 19°	15.3° / 19°	NA / 18.6	NA / 18.4°
Operating Weight*	14,564 lb (6,607 kg)	17,226 lb (7,814 kg)	19,985 lb (9065 kg)	20,458 lb (9280 kg)

* Operating weight may vary depending on machine configuration. ** Equipped with Power Lift Option. ¹ With 4 IN 1 bucket.

Loader Dimensions

580 Super N WT – 4WD, 4 IN 1[®] bucket, 21L x 24 rear tires.



A. Overall operating height –	
Fully raised	13 ft 10.3 in (4.22 m)
Height to bucket hinge pin –	
B. Fully raised	11 ft 5.7 in (3.50 m)
C. SAE carry	12.75 in (324 mm)
D. Dump angle @ full height	45°
E. Dump clearance @ full height, 43° dump –	
Bucket	9 ft 1.1 in (2.77 m)
Clam open	9 ft 10.7 in (3.01 m)
F. Dump reach @ full height, 45° dump (from bumper) –	
Bucket	27.0 in (685 mm)
Clam open	13.9 in (353 mm)
G. Bucket rollback @ groundline	41°
H. Bucket rollback @ SAE carry	46°
J. Bucket rollback @ full height	Adjustable
K. Digging depth below grade –	
Bucket flat	5.9 in (151 mm)
Clam open (dozing)	3.5 in (88 mm)
L. Reach from front axle centerline –	
Bucket on ground	6 ft 0.5 in (1.99 m)
M. Overall transport length	23 ft 1.2 in (7.04 m)
N. Height - Transport	11 ft 6.9 in (3.53 m)



CNH INTERNATIONAL SA
Riva Paradiso, 14
6902 Paradiso
SWITZERLAND



NOTE: Standard and optional fittings can vary according to the demands and specific regulations of each country. The illustrations may include optional rather than standard fittings - consult your Case dealer. Furthermore, CNH reserves the right to modify machine specifications without incurring any obligation relating to such changes.

Conforms to directive 98/37/CE **CE**

