



# Cat<sup>®</sup> 299D2

## COMPACT TRACK LOADER

### FEATURES:

The Cat<sup>®</sup> 299D2 Compact Track Loader, with its vertical lift design, delivers extended reach and lift height for quick and easy truck loading. Its standard, suspended undercarriage system provides superior traction, flotation, stability and speed to work in a wide range of applications and underfoot conditions. The 299D2 features the following:

- **Industry leading sealed and pressurized cab option** provides a cleaner and quieter operating environment with excellent Work Tool visibility.
- **Available high-back, heated, air ride seat with seat mounted adjustable joystick controls** makes Cat Compact Track Loaders the industry leader in operator comfort.
- **High performance power train** provides maximum performance and production capability through the Electronic Torque Management system, standard two speed travel and an electronic hand/foot throttle with decel pedal capability.
- **High Flow XPS hydraulic system** is available for applications that demand maximum hydraulic work tool performance.
- **Electronically controlled Cat C3.8 engine** provides high horsepower and torque while meeting U.S. EPA Tier 4 Final/EU Stage IV emission standards.
- **Cat "Intelligent Leveling" system (ILEV)** provides industry leading technology, integration and optional features such as dual direction self level, work tool return to dig and work tool positioner.
- **Standard fully independent torsion axle suspension** combined with the optional Speed Sensitive Ride Control system improves operation on rough terrain, enabling better load retention, increased productivity and greater operator comfort.
- **Maximize machine capability and control** with the standard Advanced Display providing on-screen adjustments for implement response, hystat response, and creep control, multi-language functionality with customizable layouts, security system, and rearview camera.
- **Ground level access** to all daily service and routine maintenance points helps reduce machine downtime for greater productivity.
- **Broad range of performance matched Cat Work Tools** make the Cat Compact Track Loader the most versatile machine on the job site.

## Specifications

### Engine

|                                    |                      |                     |
|------------------------------------|----------------------|---------------------|
| Engine Model                       | Cat C3.8 DIT (turbo) |                     |
| Gross Power SAE J1995              | 73 kW                | 98 hp               |
| Net Power SAE 1349                 | 71 kW                | 95 hp               |
| Net Power ISO 9249                 | 71 kW                | 95 hp               |
| Peak Torque at 1,500 rpm SAE J1995 | 334 N-m              | 246 lbf-ft          |
| Displacement                       | 3.8 L                | 232 in <sup>3</sup> |
| Stroke                             | 120 mm               | 4.7 in              |
| Bore                               | 100 mm               | 3.9 in              |

### Weights\*

|                  |         |           |
|------------------|---------|-----------|
| Operating Weight | 5114 kg | 11,275 lb |
|------------------|---------|-----------|

### Power Train

|                                    |           |         |
|------------------------------------|-----------|---------|
| Travel Speed (Forward or Reverse): |           |         |
| One Speed                          | 8.4 km/h  | 5.2 mph |
| Two Speed                          | 13.5 km/h | 8.4 mph |

\*Operating Weight, Operating Specifications and Dimensions all based on 75 kg (165 lb) operator, all fluids, two speed, 1981 mm (78 in) dirt bucket, 400 mm (15.7 in) tracks, dual flange front idler/single flange rear idler, standard flow hydraulics, enclosed cab with glass door, side windows, heater, mechanical suspension seat, advanced display, 880 CCA battery, no optional counterweights and manual quick coupler (unless otherwise noted).

### Hydraulic System

|                                   |            |            |  |
|-----------------------------------|------------|------------|--|
| Hydraulic Flow – Standard:        |            |            |  |
| Loader Hydraulic Pressure         | 23 000 kPa | 3,335 psi  |  |
| Loader Hydraulic Flow             | 86 L/min   | 23 gal/min |  |
| Hydraulic Power (calculated)      | 33 kW      | 44 hp      |  |
| Hydraulic Flow – High Flow XPS:   |            |            |  |
| Maximum Loader Hydraulic Pressure | 28 000 kPa | 4,061 psi  |  |
| Maximum Loader Hydraulic Flow     | 121 L/min  | 32 gal/min |  |
| Hydraulic Power (calculated)      | 57 kW      | 76 hp      |  |

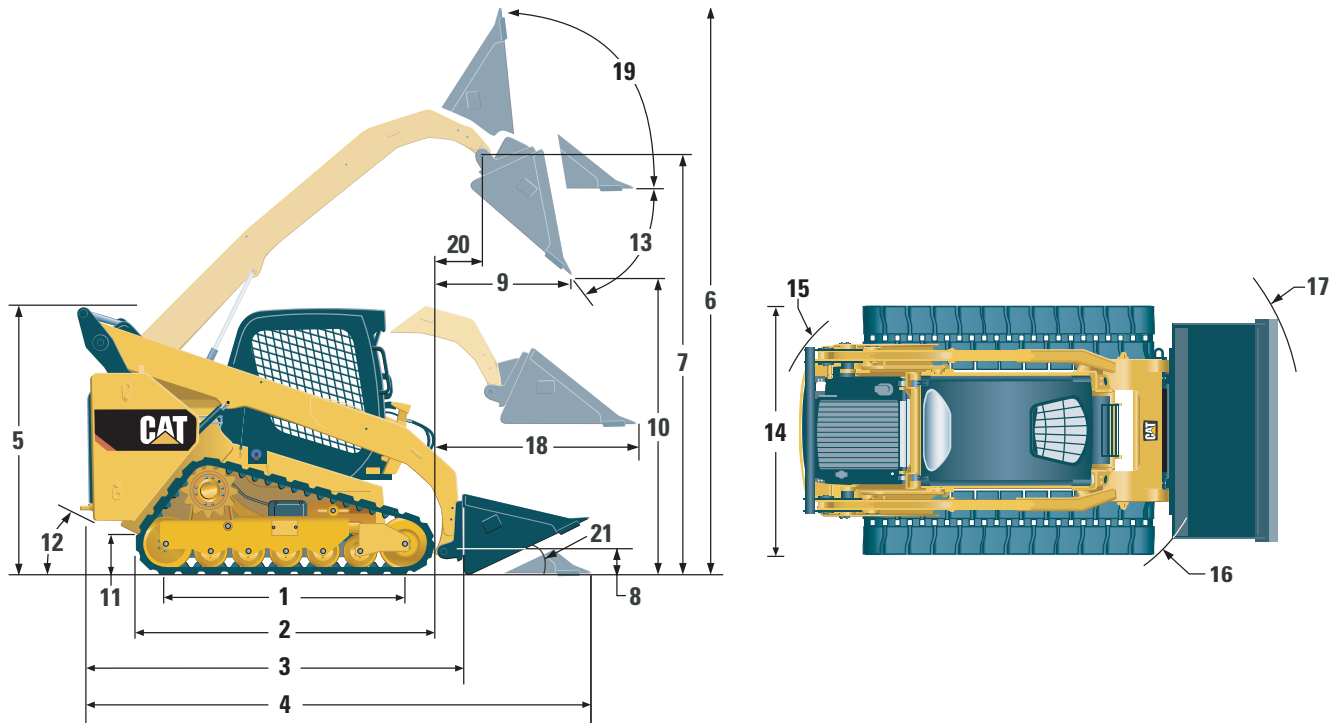
### Operating Specifications\*

|  |                     |                       |  |
|--|---------------------|-----------------------|--|
| Rated Operating Capacity:                            |                     |                       |  |
| 35% Tipping Load                                     | 1451 kg             | 3,200 lb              |  |
| 50% Tipping Load                                     | 2087 kg             | 4,600 lb              |  |
| Rated Operating Capacity with Optional Counterweight |                     |                       |  |
| Tipping Load   | 2204 kg             | 4,860 lb              |  |
| Breakout Force, Tilt Cylinder                        | 4173 kg             | 9,200 lb              |  |
| Breakout Force, Lift Cylinder                        | 3298 kg             | 7,270 lb              |  |
| Breakout Force, Lift Cylinder                        | 2795 kg             | 6,162 lb              |  |
| Ground Contact Area (400 mm/15.7 in track)           | 1.41 m <sup>2</sup> | 2,184 in <sup>2</sup> |  |
| Ground Contact Area (450 mm/17.7 in track)           | 1.59 m <sup>2</sup> | 2,463 in <sup>2</sup> |  |
| Ground Pressure (400 mm/15.7 in track)               | 35.6 kPa            | 5.2 psi               |  |
| Ground Pressure (450 mm/17.7 in track)               | 31.5 kPa            | 4.6 psi               |  |



Courtesy of Machine.Market

# 299D2 Compact Track Loader



## Dimensions\*

|    |  |         |          |
|----|--|---------|----------|
| 1  | Length of Track on Ground                    | 1767 mm | 69.6 in  |
| 2  | Overall Length of Track                      | 2270 mm | 89.4 in  |
| 3  | Length without Bucket                        | 3189 mm | 125.5 in |
| 4  | Length with Bucket on Ground                 | 3931 mm | 154.7 in |
| 5  | Height to Top of Cab                         | 2125 mm | 83.6 in  |
| 6  | Maximum Overall Height                       | 4032 mm | 158.7 in |
| 7  | Bucket Pin Height at Maximum Lift            | 3208 mm | 126.3 in |
| 8  | Bucket Pin Height at Carry Position          | 180 mm  | 7.1 in   |
| 9  | Reach at Maximum Lift and Dump               | 852 mm  | 33.6 in  |
| 10 | Clearance at Maximum Lift and Dump           | 2399 mm | 94.5 in  |
| 11 | Ground Clearance                             | 245 mm  | 9.6 in   |
| 12 | Departure Angle                              |         | 33°      |
| 13 | Maximum Dump Angle                           |         | 54°      |
| 14 | Vehicle Width (400 mm/15.7 in tracks)        | 1931 mm | 76.0 in  |
|    | Vehicle Width (450 mm/17.7 in tracks)        | 1981 mm | 78.0 in  |
| 15 | Turning Radius from Center – Machine Rear    | 1881 mm | 74.0 in  |
| 16 | Turning Radius from Center – Coupler         | 1476 mm | 58.1 in  |
| 17 | Turning Radius from Center – Bucket (racked) | 2314 mm | 91.1 in  |
| 18 | Maximum Reach with Arms Parallel to Ground   | 1319 mm | 51.9 in  |
| 19 | Rack Back Angle at Maximum Height            |         | 81°      |
| 20 | Bucket Pin Reach at Maximum Lift             | 493 mm  | 19.4 in  |
| 21 | Roll Back Angle                              |         | 25°      |

## Cab

|               |                        |
|---------------|------------------------|
| ROPS          | ISO 3471:2008          |
| FOPS          | ISO 3449:2005 Level I  |
| FOPS Level II | ISO 3449:2005 Level II |

## Service Refill Capacities

|                                 |       |          |
|---------------------------------|-------|----------|
| Cooling System                  | 16 L  | 4.1 gal  |
| Diesel Exhaust Fluid (DEF) Tank | 19 L  | 5 gal    |
| Engine Crankcase                | 13 L  | 3.5 gal  |
| Fuel Tank                       | 122 L | 32.2 gal |
| Hydraulic System                | 55 L  | 14.5 gal |
| Hydraulic Tank                  | 39 L  | 10.3 gal |

## MANDATORY EQUIPMENT

- Hydraulics, Standard or High Flow XPS
- Quick Coupler, Mechanical or Electric
- Seat Belt, 50 mm (2 in) or 75 mm (3 in)
- Steel Imbed Rubber Track – 400 mm (15.7 in) or 450 mm (17.7 in)
- Dual Flange Front Idler/Single Flange Rear Idler or Triple Flange Front/Rear Idlers

### PERFORMANCE PACKAGE *(must select one of the following)*

- Performance Package H1: *Standard Flow (No Self Level)*
- Performance Package H2: *Standard Flow, Dual Direction Electronic Self Level (Raise and Lower, Electronic Snubbing (Raise and Lower)*
- Performance Package H3: *High Flow XPS, Dual Direction Electronic Self Level (Raise and Lower), Electronic Snubbing (Raise and Lower)*

## STANDARD EQUIPMENT

### ELECTRICAL

- 12 volt Electrical System
- 100 ampere Alternator
- Ignition Key Start/Stop Switch
- Lights: *Gauge Backlighting, Two Rear Tail Lights, Two Rear Halogen Working Lights, Two Adjustable Front Halogen Lights, Dome Light*
- Backup Alarm
- Heavy Duty Battery, 880 CCA

### OPERATOR ENVIRONMENT

- Gauges: *Fuel Level, DEF Level, Hour Meter*
- Operator Warning System Indicators: *Air Filter Restriction, Alternator Output, Armrest Raised/Operator Out of Seat, Engine Coolant Temperature, Engine Oil Pressure, Air Inlet Heater Activation, Hydraulic Filter Restriction, Hydraulic Oil Temperature, Park Brake Engaged, Engine Emission System*
- Adjustable Vinyl Seat
- Fold In Ergonomic Contoured Armrest
- Control Interlock System, when operator leaves seat or armrest raised: *Hydraulic System Disables, Hydrostatic Transmission Disables, Parking Brake Engages*
- ROPS Cab, Open, Tilt Up
- FOPS, Level I
- Top and Rear Windows
- Floor Mat
- Interior Rearview Mirror
- 12 volt Electric Socket
- Horn
- Hand (Dial) Throttle, Electronic
- Adjustable Joystick Controls
- Advanced Display: *Full Color, 127 mm (5 in) LCD Screen, Advanced Multi-operator Security System, On-screen Adjustments for Implement Response, Hystat Drive Response, and Creep Control*
- Storage Compartment with Netting

### COMFORT PACKAGE *(must select one of the following)*

- Open ROPS (C0): *Static Seat (No Foot Throttle, Headliner, Heater or Door)*
- Open ROPS (C1): *Foot Throttle, Headliner, Cup Holder, and choice of Seat (Mechanical Suspension or High Back, Heated, Air Ride Seat) (No Heater or Door)*
- Enclosed ROPS with Heater (C2): *Foot Throttle, Headliner, Heater and Defroster, Side Windows, Cup Holder, Radio Ready, choice of Seat (Mechanical Suspension or High Back, Heated, Air Ride Seat) and Door (Glass or Polycarbonate)*
- Enclosed ROPS with A/C (C3): *C2 + Air Conditioner*

### POWER TRAIN

- Cat C3.8, Turbo Diesel Engine, Meeting Tier 4 Final/Stage IV Emission Standards
- Air Cleaner, Dual Element, Radial Seal
- S-O-S<sup>SM</sup> Sampling Valve, Hydraulic Oil
- Filters, Cartridge-type, Hydraulic
- Filters, Cartridge-type, Fuel and Water Separator
- Radiator/Hydraulic Oil Cooler (side-by-side)
- Spring Applied, Hydraulically Released, Wet Multi Disc Parking Brakes
- Hydrostatic Transmission, Two Speed Travel
- Suspension – Independent Torsion Axles (4)

### OTHER

- Engine Enclosure, Lockable
- Extended Life Antifreeze, –37° C (–34° F)
- Machine Tie Down Points (6)
- Support, Lift Arm
- Hydraulic Oil Level Sight Gauge
- Radiator Coolant Level Sight Gauge
- Radiator, Expansion Bottle
- Cat ToughGuard™ Hose
- Auxiliary, Hydraulics, Continuous Flow
- Heavy Duty, Flat Faced Quick Disconnects with Integrated Pressure Release
- Split D-Ring to Route Work Tool Hoses Along Side of Left Lift Arm
- Electrical Outlet, Beacon
- Belly Pan Cleanout
- Variable Speed Demand Fan

# 299D2 Compact Track Loader

---

## OPTIONAL ATTACHMENTS

---

- External Counterweights
- Beacon, Rotating
- Engine Block Heater – 120V
- Oil, Hydraulic, Cold Operation
- Paint, Custom
- Heavy Duty Battery, 880 CCA, with Battery Disconnect
- Heavy Duty Battery, 1,000 CCA, with Battery Disconnect
- Product Link™, Cellular
- Variable Speed Demand Fan with Reversing Functionality
- Speed Sensitive Ride Control
- Advanced Display: Rearview Camera Included
- Work Tool Return to Dig and Work Tool Positioner
- Bluetooth Radio with Microphone (AM/FM/Weather Band Receiver with USB and Auxiliary Input Jack)
- Full Steel Track (Sealed and Lubricated – SALT) with Triple Grouser Shoes; One Speed Travel Only

For more complete information on Cat products, dealer services, and industry solutions, visit us on the web at [www.cat.com](http://www.cat.com)

© 2015 Caterpillar  
All Rights Reserved

Materials and specifications are subject to change without notice. Featured machines in photos may include additional equipment. See your Cat dealer for available options.

CAT, CATERPILLAR, SAFETY.CAT.COM, their respective logos, “Caterpillar Yellow” and the “Power Edge” trade dress, as well as corporate and product identity used herein, are trademarks of Caterpillar and may not be used without permission.

AEHQ7441 (03-15)  
(NACD, EU, ANZ)



Courtesy of Machine.Market