



Cat[®] 906H2, 907H2, 908H2

COMPACT WHEEL LOADER

FEATURES:

The Cat[®] 906H2, 907H2, 908H2 deliver high performance with outstanding versatility. Spacious cab with joystick control keeps you comfortable throughout the work day, allowing you to get more done. Loader design delivers strength and durability with superior control.

- **High Performance** – With its high full turn tipping loads and breakout forces, the H2 Series delivers a powerful solution for all customer applications.
- **Ease of Operation** – Great visibility, simple controls and the ergonomically designed, low effort joystick help reduce fatigue and increase comfort.

- **Power Train** – The standard hydrostatic driveline is a 20 km/h (12.4 mph) transmission. Heavy duty axles and 100% diff-lock are standard with ride control and 35 km/h (21.7 mph) high speeder available as options.
- **Versatility** – The standard skid steer loader style coupler combined with standard flow or optional high flow hydraulics allow the Cat[®] Compact Wheel Loaders to use a large range of work tools including hydro mechanical work tools.
- **Serviceability** – The design of the H2 Series allows quick and easy servicing. Tilt up engine hood and side service doors give exceptional access to the major components safely from ground level. S·O·SSM oil ports and pressure test points enable easy preventative maintenance.

Specifications

Engine

Engine Model	Cat [®] C3.3B DIT*	
Rated Net Power @ 2,500 rpm		
SAE J1349	51 kW	68 hp
Maximum Gross Power		
SAE J1995	55 kW	74 hp

*The Cat C3.3B DIT engine meets Tier 4 Interim emission standards.

Weight

Operating Weight		
906H2	5630 kg	12,412 lb
907H2	5810 kg	12,809 lb
908H2	6465 kg	14,253 lb

Buckets

Bucket Capacities		
906H2	0.75-1.2 m	0.98-1.6 yd ³
907H2	0.75-1.2 m	0.98-1.6 yd ³
908H2	0.9-1.5 m	1.2-2.0 yd ³

Travel Speeds

		906H2	907H2	908H2
Speed 1	km/h	7	7	7
	mph	4.3	4.3	4.3
Speed 2	km/h	20	20	20
	mph	12.4	12.4	12.4
High Speed	km/h	35	35	35
	mph	21.7	21.7	21.7

Hydraulic System

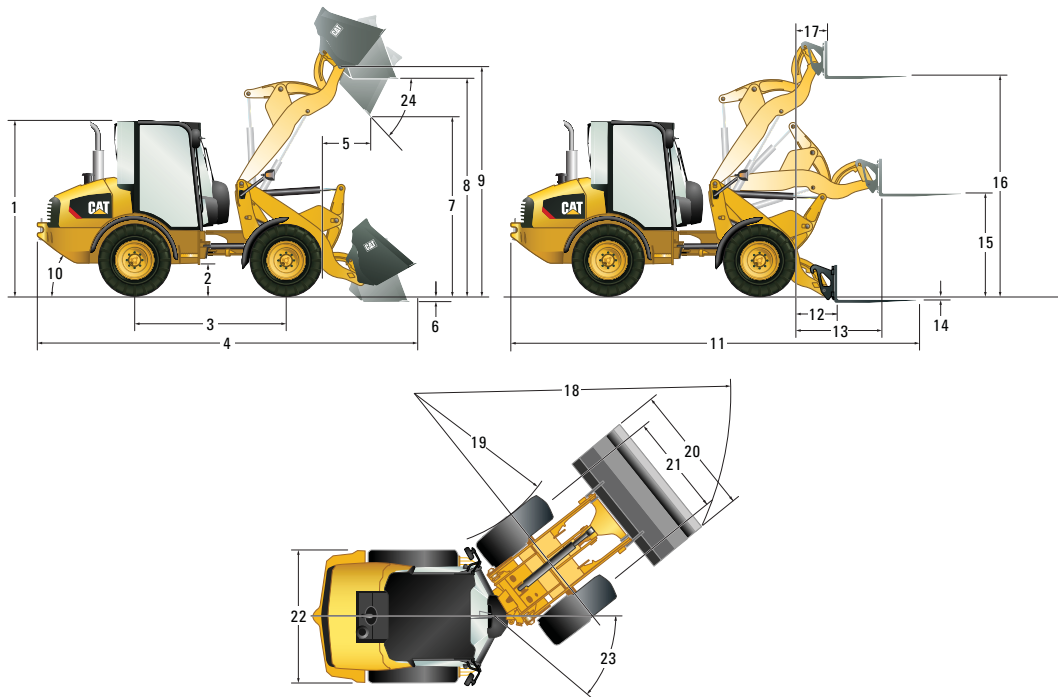
		906H2	907H2	908H2	
Main Relief – 3rd Aux Flow	bar	235	235	235	
	psi	3,400	3,400	3,400	
Standard	L/min	83	83	83	
	gal/min	22	22	22	
High Flow	L/min	125	125	125	
	gal/min	33	33	33	
Hydraulic Cycle Time	Lift	seconds	5	5	5
	Lower	seconds	4	4	4
	Dump	seconds	2	2	2
	Rack Back	seconds	2.5	2.5	2.5

Service Refill Capacities

		906H2	907H2	908H2
Cooling System	L	24	24	24
	gal	6.3	6.3	6.3
Fuel Tank	L	52	78	78
	gal	13.7	20.6	20.6
Hydraulic System	L	95	95	95
	gal	25	25	25
Engine Oil	L	10	10	10
	gal	2.6	2.6	2.6



906H2, 907H2, 908H2 Compact Wheel Loader



Dimensions

(All dimensions are approximate. Dimensions shown are based on the machine equipped with general purpose bucket and standard 405/70 SPT9 tires.)

	With SSL Coupler					
	906H2		907H2		908H2	
1 Cab Height	2465 mm	8 ft 1 in	2585 mm	8 ft 6 in	2650 mm	8 ft 8 in
2 Ground Clearance	300 mm	11.8 in	300 mm	11.8 in	340 mm	13 in
3 Wheelbase	2170 mm	7 ft 1 in	2170 mm	7 ft 1 in	2170 mm	7 ft 1 in
4 Overall Length with Bucket	5585 mm	18 ft 4 in	5585 mm	18 ft 4 in	5760 mm	18 ft 11 in
5 Reach at Maximum Dump Height	810 mm	2 ft 8 in	810 mm	2 ft 8 in	855 mm	2 ft 10 in
6 Dig Depth	90 mm	3.5 in	90 mm	3.5 in	95 mm	3.7 in
7 Maximum Dump Height	2395 mm	7 ft 10 in	2395 mm	7 ft 10 in	2540 mm	8 ft 4 in
8 Load Over Height	3025 mm	9 ft 11 in	3025 mm	9 ft 11 in	3215 mm	10 ft 7 in
9 Hinge Pin at Maximum Height	3230 mm	10 ft 7 in	3230 mm	10 ft 7 in	3410 mm	11 ft 2 in
10 Departure Angle (Degrees)	34°		34°		34°	
11 Overall Length with Forks	5945 mm	19 ft 6 in	5945 mm	19 ft 6 in	6150 mm	20 ft 2 in
12 Reach at Ground Level	750 mm	2 ft 6 in	750 mm	2 ft 6 in	925 mm	3 ft
13 Maximum Reach	1265 mm	4 ft 2 in	1265 mm	4 ft 2 in	1445 mm	4 ft 9 in
14 Fork Depth Below Ground (Above Ground)	45 mm	1.8 in	45 mm	1.8 in	30 mm	1.2 in
15 Fork Height at Maximum Reach	1490 mm	4 ft 11 in	1490 mm	4 ft 11 in	1525 mm	5 ft
16 Maximum Fork Height	3160 mm	10 ft 4 in	3160 mm	10 ft 4 in	3300 mm	10 ft 10 in
17 Fork Reach at Maximum Height	505 mm	1 ft 8 in	505 mm	1 ft 8 in	595 mm	1 ft 11 in
18 Turning Radius Over Bucket	4445 mm	14 ft 7 in	4515 mm	14 ft 10 in	4560 mm	15 ft
19 Turning Radius Inside Tire	2240 mm	7 ft 4 in	2240 mm	7 ft 4 in	2080 mm	6 ft 10 in
20 Width Over Bucket	1880 mm	6 ft 2 in	2035 mm	6 ft 8 in	2060 mm	6 ft 9 in
21 Tire Gauge	1420 mm	4 ft 8 in	1420 mm	4 ft 8 in	1570 mm	5 ft 2 in
22 Machine Width	1840 mm	6 ft	1840 mm	6 ft	1985 mm	6 ft 6 in
23 Articulation Angle (Degrees)	39°		39°		39°	
24 Dump Angle at Maximum Height (Degrees)	45°		45°		45	

906H2, 907H2, 908H2 Compact Wheel Loader

Operating Specifications

Machine with full fuel tank, ROPS/FOPS cab, 75 kg operator, skid steer loader coupler (SSL) and general purpose bucket (GP).

Coupler Type	906H2		907H2		908H2	
	SSL		SSL		SSL	
Tire Size	405/70 R18		405/70 R18		405/70 R20	
Operating Weight	5630 kg	12,412 lb	5810 kg	12,809 lb	6465 kg	14,253 lb
Rated Bucket Capacity	0.9 m ³	1.18 yd ³	1.0 m ³	1.3 yd ³	1.1 m ³	1.4 yd ³
Breakout Force, Bucket	42 kN	9,442 lb	42 kN	9,442 lb	47 kN	10,566 lb
Rated Operating Load at Full Turn, Bucket	1580 kg	3,483 lb	1585 kg	3,494 lb	1705 kg	3,759 lb
Straight Tipping Load, Bucket)	3985 kg	8,785 lb	4320 kg	9,524 lb	4775 kg	10,527 lb
Full Turn Static Tipping Load, Bucket	3160 kg	6,967 lb	3170 kg	6,989 lb	3410 kg	7,518 lb
Rack Back, Transport Position	52°		52°		52°	
Rated Operating Load at Full Turn, Forks (EN 474-3:2006, firm and level ground, 1.25 stability and 500 mm [20 in] load center)	2065 kg	4,553 lb	2120 kg	4,674 lb	2355 kg	5,192 lb
Rated Operating Load at Full Turn, Forks (EN 474-3:2006, firm and level ground, 1.25 stability and 500 mm [20 in] load center, transport 100 mm [4 in] above ground)	2720 kg	5,997 lb	2785 kg	6,140 lb	2990 kg	6,592 lb

Cab Features

Standard Cab Features	Comfort Cab	Deluxe Cab	Canopy
Two Access Doors	•	•	
Fixed Steering Column			•
Adjustable Steering Column	•	•	
Vinyl Suspension Seat			•
Cloth Suspension Seat, Arm Rest	•		
Cloth, Electric Air Suspension, Arm/Head Rest, Lumbar Support and Heated Back Seat		•	
Left Window – Sliding	•	•	
Right Window – Sliding		•	
Heated Rear Window	•	•	
Coat Hook	•	•	•
Cabin Light	•	•	
Sun Visor	•	•	•
Radio-ready Kit (wiring, speaker, aerial and grilles)	•	•	
External Knock Back Mirrors	•	•	•
Heater	•	•	
Lockable Storage Box	•	•	•
Adjustable Internal Mirror	•	•	•
Optional Cab Features			
Cat Radio/CD/MP3/WMA/AUX	•	•	
Rear Blind	•	•	
Heater and Air Conditioning	•	•	
Radio-ready Kit (wiring, speaker, aerial and grilles)	•	•	

Maximum Material Densities

Based on ISO 7546:1983, and rated operating loads at full turn.

Model	Bucket Type	General Purpose			Multi Purpose			Light Material		
		906H2	907H2	908H2	906H2	907H2	908H2	906H2	907H2	908H2
Rated Capacity	m ³	0.90	1.00	1.10	0.75	0.75	0.90	1.20	1.20	1.50
	yd ³	1.18	1.3	1.4	0.98	0.98	1.18	1.6	1.6	2.0
Dump Height	mm	2395	2395	2540	2470	2470	2630	2285	2285	2345
	in	94	94	100	97	97	104	90	90	92
Maximum Material Density	kg/m ³	1755	1584	1549	2131	2149	1929	1208	1218	1034
	lb/yd ³	2,958	2,670	2,611	3,592	3,622	3,251	2,036	2,053	1,743
Bucket Width	mm	1880	2035	2060	1880	1880	2060	2080	2080	2080
	in	74	80	81	74	74	81	82	82	82

906H2, 907H2, 908H2 Compact Wheel Loader

STANDARD EQUIPMENT

TRANSMISSION

- Transmission, 20 km/h (12.4 mph) with heavy duty axles
- Transmission inching function
- Hydrostatic drive
- Loader
- Skid steer loader style quick coupler
- Proportional auxiliary hydraulic circuit
- Loader arm float function
- Connect under pressure hydraulic quick connector
- Parallel lift Z-bar loader

ENGINE

- Cat® C3.3B DIT Tier 4 Interim engine
- Two stage air cleaner with visual indicator
- Cat extended life coolant
- Lockable engine compartments
- Easy quick release fuel filter/water separator
- Engine oil drain valve (non spill eco drain)
- Closed circuit breather

ELECTRICAL

- Battery disconnect switch
- Heavy duty battery, 12V
- Engine cold starter aid
- Alternator 90 amp
- Service point connector for electronic diagnostics (Electronic Technician™)

GENERAL

- E-coat paint primer
- Pressure test points
- Recovery hitch and pin
- Scheduled Oil Sampling S-O-SSM ports

OPERATOR ENVIRONMENT

- Radio ready kit including speakers
- Two doors
- Cup holder
- Sun visor
- Heated rear window
- ROPS and FOPS certified cab

- Adjustable wrist rest
- Retractable seat belt
- Cabin light
- Auxiliary power sockets
- Coat hook
- Pressurized cab
- On board digital display cluster
- Heater with window, side and feet vents
- Sound suppression
- Multifunction joystick with direction control
- Proportional auxiliary control
- Two external knock back mirrors
- Warning indicators for major systems
- Wiper/washer front and rear
- Easy clean cab floor
- Lockable storage box
- Adjustable internal mirror

OPTIONAL EQUIPMENT

TRANSMISSION

- Transmission control upgrade (includes creeper control, rimpull control and hand throttle)
- 100% Differential lock on both axles, selectable on the move
- Ride control
- Speeder, 35 km/h (21.7 mph) with secondary steering

LOADER

- High flow auxiliary hydraulics
- Load check valves
- Return to dig work tool positioner

ENGINE

- Engine block heater 120V
- Precleaner for engine air filter

ELECTRICAL

- Reverse alarm
- Machine Security System (MSS)
- Magnetic rotating beacon
- Work tool wiring harness
- Working lights, two front and two rear

GENERAL

- Custom color
- Rear light guards
- Heavy duty coupler guard
- Tire options including heavy duty tires

FLUIDS

- Biodegradable hydraulic oil
- Cat extended life coolant (-50° C/-58° F)

OPERATOR ENVIRONMENT

- Air conditioning
- Cat radio/CD/MP3/WMA/AUX
- ROPS and FOPS certified canopy
- Comfort and deluxe cabs
- Rear blind

Work Tools

- For all work tools and standard/high flow options (consult your Cat dealer)

For more complete information on Cat products, dealer services, and industry solutions, visit us on the web at www.cat.com

AEHQ6773 (05-12)

© 2012 Caterpillar
All Rights Reserved
Printed in U.S.A.

Materials and specifications are subject to change without notice. Featured machines in photos may include additional equipment. See your Cat dealer for available options.

CAT, CATERPILLAR, SAFETY.CAT.COM, their respective logos, "Caterpillar Yellow" and the "Power Edge" trade dress, as well as corporate and product identity used herein, are trademarks of Caterpillar and may not be used without permission.



Courtesy of Machine.Market