

# 980K

## Block Handler Arrangement



### Engine

Engine Model	Cat® C13 ACERT™	
Power ISO 14396	300 kW	402 hp
Maximum Net Power (1,600 rpm) – SAE J1349	274 kW	369 hp

### Weights

Operating Weight	34 660 kg-	76,388 lb-
	36 805 kg	81,118 lb
Implement System – Maximum Operating Pressure	31 000 kPa	4,496 psi

**Operator Environment**

*The new four post ROPS cab provides enhanced comfort, visibility, and productivity resulting in a more efficient operator.*

**Heavy Duty Design**

*The Cat K Series™ Block Handler is built strong and tough. With the counterweight, transmission, hydraulics and third valve, the new block handler is ready for any environment.*

**Block Handler Work Tools**

*The Block Handler work tools include a quick coupler, breaker tines, forks, cleaning rate, rock bucket, marble bucket and heavy duty block bucket – a large variety to meet your needs.*

**Heavy Duty Powershift Transmission**

*The K Series transmissions incorporate a new shifting strategy that delivers smoother shifts, faster acceleration, and increased travel speed when climbing a grade.*

**Fuel Efficiency**

*The 980K Block Handler wheel loaders have been integrated as a system; from the linkage and work tool carrying the payload, to the engine, transmission and torque converter moving the machine, the system has been optimized to achieve the lowest cost per ton.*



**Contents**

Durability .....4  
Productivity .....5  
Versatility .....6  
Operator Environment .....8  
Safety .....9  
Serviceability .....10  
Customer Support .....11  
Sustainability .....11  
Owning Costs .....12  
Operating Costs .....13  
Specifications .....14  
Standard Equipment .....22  
Optional Equipment .....23



**The Cat 980K Block Handler Arrangement is designed to withstand the demanding and harsh environment of block handling applications. Various work tools are available to assist operators in all block handling applications. The features of the 980K Block Handler Arrangement work together to provide a durable and reliable machine to meet your block handling needs.**

# Durability

Built Strong and Tough.



## Counterweight

The 980K Block Handler offers operators and customers stability and durability with a greater counterweight at the bottom of the machine. The K Series Block Handler Arrangement adds 2860 kg (6,305 lb) of counterweight and the rear counterweight is protected by a rear guard.

## Heavy Duty Transmission

The Heavy Duty Planetary Transmission, from the Block Handler Arrangement, provides a special design of larger discs in order to increase heat dissipation generated during block load and carry cycles. This Heavy Duty transmission utilizes 432 mm (17") planetary drives for all gears, and includes slightly larger gears and bearings than the standard transmission that uses 330 mm (13") planetary gear sets.

## Quick Coupler Activation

The Block Handler Arrangement includes an additional hydraulic valve with the Quick Coupler, allowing the operator to switch work tools and immediately lock the work tool during load and carry applications.

## Larger Tilt Cylinders

The 980H Block Handler comes equipped with larger tilt cylinders on the linkage that help improve load control and ensure safe and long lasting operation.

# Productivity

## Move More. All Day. Every Day.

### Load-Sensing Hydraulics

New load sensing hydraulics produce flow and pressure for the implement system upon demand and only in amounts necessary to perform the needed work functions, enhancing machine productivity and fuel efficiency. Implement controllability is improved through simultaneous implement operation and repeatable fine modulation, enabling greater operator comfort through ease of operation.

### Ride Control

Ride control works by using an accumulator to dampen the linkage motion, acting as a shock absorber. It provides the operator with a smoother ride over rough terrain, enabling a more comfortable ride at higher speeds.

### Lock-up Clutch Torque Converter

The optional lockup torque converter significantly enhances productivity and fuel efficiency while performing load and carry applications, especially on grades. The lockup clutch eliminates torque converter losses, ultimately resulting in lower fuel consumption while achieving higher travel speeds up a grade.

### Transmission Shift Strategy

The new shifting strategy that delivers smoother shifts, faster acceleration, and better performance climbing a grade. When placing the transmission into forward gear, the machine will automatically start in second gear. With the further enhancement of a torque based 2 to 1 downshift, the downshift will only occur based on machine load. Owners and operators will fully benefit from utilizing the automatic 1-4 transmission mode, which results in lower fuel consumption and optimal machine performance.



# Versatility

Work Tool Options to Meet Your Needs.



### ① Quick Coupler

The quick coupler is designed for optimal utilization of lifting and break-out forces with Cat cylinder, safety valves, pressure and isolating valves, safety covers and lock indicators. It has enhanced visibility and has been optimized for handling large rocks and blocks.

### ② Breaker Tine

Center-mounted, heavy-duty single-piece forged fork tine is used for prying loose large stone blocks. It is built with an extra thick tine to handle a variety of materials in this demanding application.

### ③ Forks

Heavy-duty pallet forks are engineered to handle weight and load stress when maneuvering and placing blocks in quarry operations. Dual tine forks are designed to allow blocks to be placed close to the machine for greater balance and safe handling.

### ④ Clearing Rake

Used primarily for clearing and controlling loose objects at the quarry face and working levels, the block handling rake is designed with a curved boom for enhanced operator visibility and object placement.

### ⑤ Rock Bucket

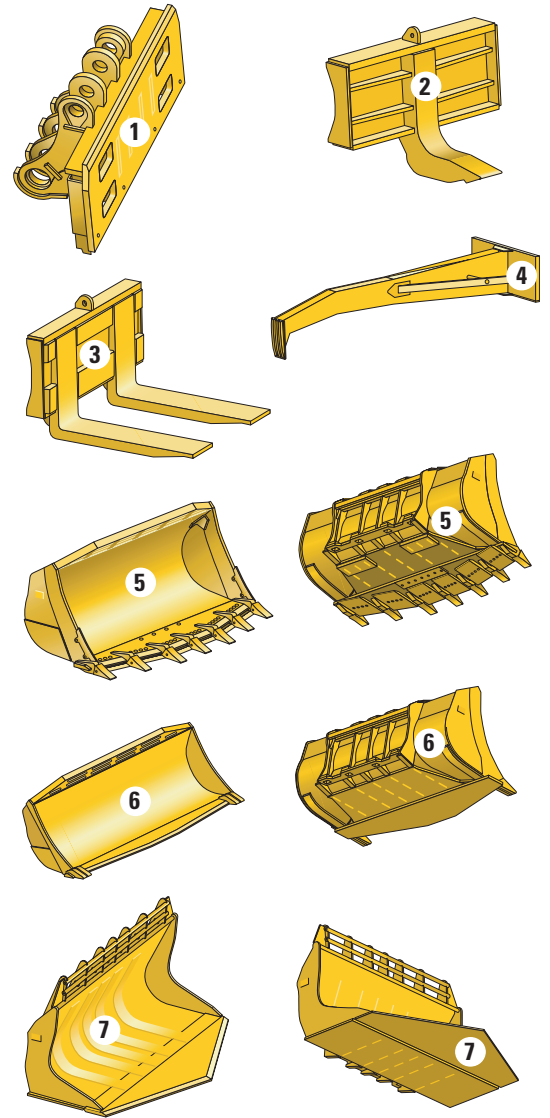
Heavy-duty bucket offers superior durability, protection and performance in rock and overburden operations in block quarries. It includes large size teeth and segments. Its HD400 (high wear resistant) metal shell and bottom offer maximum strength, durability and wear life.

### ⑥ Marble Bucket

Special bucket construction including the HD400-metal shell and bottom help the bucket effectively load large blocks and boulders while maintaining durability. The corner teeth ease block tilting and handling. The heavy-duty V-edge is particularly suited for handling high-value breakable marbles before cutting operations.

### ⑦ Block Bucket Heavy-Duty

Special bucket construction loads very large squared blocks and boulders. The deep carved sides and extra long heavy-duty bottom allow the special V-edge to penetrate under large blocks. The interior bucket profile allows blocks to further fit back in the bucket for increased load and lift capabilities and better balance and rack-back. Its HD400-metal shell and bottom offers maximum strength, durability and wear life.



# Operator Environment

Safe. Comfortable. Efficient.



## **Electro-Hydraulic (EH) Joystick Steering with Force Feedback (Speed Sensitive)**

The industry leading EH joystick steering system combines operator comfort and precision control to provide a sustainable work environment for the operator. The system incorporates a force feedback motor that automatically adjusts the effort needed to tilt the ergonomic joystick based on ground speed, resulting in superior control in all applications and climates.

## **Implement Controls (EH)**

Seat mounted single axis implement control levers provide the operator with precise control of the work tool, all while moving with the seat for maximum comfort. In cab programmable kick-outs and automatic cylinder snubbing maximize operator comfort and productivity throughout their shift.

## **Information Display**

The central display panel has a large text box, five analog like gauges, and LED warning indicators.

The large text box provides in-language information about machine operation, feature activation and system troubleshooting and calibration.

With the five large analog-type gauges the operator can easily identify if key systems are within normal operating range. A resettable trip totals function has been incorporated to display information for average fuel consumed, total fuel consumed, idle fuel, idle time, operating hours, odometer, etc.



# Safety

## Built to Protect You.



### Entry and Exit

Well-placed grab bars and a ladder inclination angle of 10-degrees forward makes the walk into the cab feel more like a staircase than a ladder. The new wider front hinged door can be opened and closed while seated, greatly improving ingress and egress. Two new left-hand and right-hand sliding windows can also be opened while seated for comfortable communication to personnel on the ground.

### Visibility

The cab has a clean and clear panoramic view for safe operation of the machine. External rearview mirrors are mounted on the cab to provide all around visibility. Optional heated and powered mirrors are available to further improve visibility in cold climates.

### Lights

The K Series standard lighting package includes roading lights (with high and low beam as well as turn signals), four work lights located at the four corners of the cab. Optional lights include the HID lighting package or Halogen work light package, that includes four high intensity discharge or halogen lights and a strobe beacon.

### Rearview Camera

With the new standard rearview camera, visibility is greatly enhanced. The camera is located in a pocket on the grill to protect it from damage and the elements. The camera can be set to activate only when the transmission is in reverse to help eliminate distractions in the cab, especially when in dark environments.



# Serviceability

Easy to Maintain. Easy to Service.



## Cooling System

The cooling system is readily accessible for clean out and maintenance. With six cooling fins per inch and a perforated grill, most airborne debris entering the system passes through the cooler cores. The cooler cores swing out providing easy access for cleaning; an option variable pitch fan is available to automatically purge the cooler cores by periodically reversing the airflow.

## Hydraulic Service Center

The hydraulic components are all conveniently located behind the hinged right side access ladder at a new single ground level service center improving safety and reducing service time.

## Engine Access

The Cat sloped "one-piece" tilting hood, provides industry-leading access to the engine, Cat Clean Emissions Module (CEM) and other components. A new rear clamshell hood design allows quick access to the engine oil dipstick and fill, fuel fill port, and cooler cores.

## Electrical Service Center

The electrical service center provides grouped ground level access to numerous electrical features, enhancing safety and convenience for operators and service technicians. The ground level engine shutdown switch is located near the cab access ladder.

# Customer Support

Ready to Help. Anytime. Anywhere.

## Machine Selection

Cat dealers are ready to help evaluate machine options; from new or used machine sales, to rental or rebuild options, Cat dealers can provide an optimal solution to meet customer business needs.

## Product Support

Cat dealers are with customers every step of the way to maximize machine uptime by providing unsurpassed worldwide parts support, trained technicians and customer support agreements.

## Operation

To help maximize the return on your investment, Cat dealers offer various training resources to improve operating techniques.

## Financing

Cat dealers offer financing options to meet a variety of customer needs.



# Sustainability

## Conserving Resources.

The 980K is designed to compliment your business plan, reduce emissions and minimize the consumption of natural resources.

- Improved fuel efficiency – less fuel consumed results in lower emissions.
- Engine air filter life doubled to reduce cost and waste.
- Machine is built with a 96% recyclability rate (ISO 16714) to conserve valuable natural resources and further enhance machine end of life value.
- Improved operator efficiency through enhanced visibility and reduced noise/vibration levels.
- Product Link™ family of products and solutions that collect, communicate, store and deliver product and job-site information to maximize productivity and reduce costs.
- Major components are rebuildable, eliminating waste and saving money by giving the machine and/or major components a second – and even third – life.



# Owning Costs

## Proven Best Investment.

### Monitoring Systems

Monitoring product health is key to optimizing the life of an investment into a Cat wheel loader.

- **Cat Product Link** – Cat Product Link allows remote monitoring of equipment to improve overall fleet management effectiveness. Product Link is deeply integrated into machine systems. Events and diagnostic codes, as well as hours, fuel, idle time and other detailed information are transmitted to a secure web based application, VisionLink®. VisionLink includes powerful tools to convey information to users and dealers, including mapping, working and idle time, fuel level and more.
- **S.O.S<sup>SM</sup> Services** – Helps manage component life and decrease machine downtime, increasing productivity and efficiency. Regular fluid sampling can help track what is going on inside your machine. Wear related problems are predictable and easily repairable. Maintenance can be done to accommodate your schedule, resulting in increased uptime and flexibility in maintenance repairs before failure.

### Parts Availability

Caterpillar provides an unsurpassed level of personalized service to help you work more cost effective and efficient. By utilizing a worldwide parts network Cat dealers help minimize machine downtime and save money by delivering replacement parts within 24 hours.

### Resale Value

Owning quality equipment is an important factor in maintaining resale value. Caterpillar is not only known for machines that are better built, but provides product and dealer support to maintain the reliability and durability of your machine.



### Customer Support Agreements

A Customer Support Agreement (CSA) is an arrangement between you and your Cat dealer that helps you lower your total cost per ton. CSAs are flexible, allowing them to be tailored to your business needs. They can range from simple Preventive Maintenance Kits to elaborate Total Cost Performance Guarantees. Having a CSA with your Cat dealer enables more time for you to do what you do best – run your business.



## Operating Costs

Save Time and Money by Working Smart.

Data from customer machines show Cat wheel loaders are among the most fuel efficient machines in the industry. Several features contribute to this excellent fuel efficiency:

- **Load-Sensing Hydraulics** – Provides only the hydraulic flow required by the implement and steering systems for improved fuel efficiency and greater rimpull.
- **ACERT Engine** – Power dense engine enables a more fuel-efficient method to meet emissions regulations.
- **Fuel Management System (FMS)** – Optimizes power for maximum fuel savings with minimal impact on production.
- **Engine Idle Shutdown** – Automatic engine and electrical system shutdown conserves fuel.
- **Lockup Torque Converter** – Transfers more power to the ground and optimizes fuel efficiency in all applications.
- **Shift Strategy** – Reduced torque interruption increases driveline efficiency, conserving fuel. Auto 1-4 transmission mode keeps engine rpm low, reducing fuel consumption while delivering optimal machine performance.

Machine configuration, operator technique, and job site layout can impact fuel consumption by as much as 30 percent.

- **Machine Configuration** – Select the correct work tool and tire type based on machine application. Radial tires are preferred; ensure proper inflation pressures. Heavier tires burn more fuel. Keep engine rpm low by using auto 1-4 transmission mode.
- **Job Site Layout** – Spot loading targets in the right position. Avoid traveling more than twice the machine length during short cycle loading. Reduce transport distance for load and carry cycles by optimizing job site layout.
- **Loading Truck** – Do not raise the work tool any higher than necessary. Keep engine rpm low and unload in controlled manner.
- **Idle** – Set the parking brake to engage Engine Idle Management System which lowers engine rpm while idling thereby saving fuel.

# 980K Block Handler Arrangement Specifications

## Engine

Engine Model	Cat® C13 ACERT™	
Max Gross Power (1,600 rpm) – SAE J1995	303 kW	406 hp
Max Gross Power (1,600 rpm) – SAE J1995 (metric)		412 hp
Max Gross Power – ISO 14396	300 kW	402 hp
Max Gross Power – ISO 14396 (metric)		408 hp
Max Net Power (1,600 rpm) – ISO 9249	274 kW	369 hp
Max Net Power (1,600 rpm) – ISO 9249 (metric)		373 hp
Max Net Power (1,600 rpm) – SAE J1349	274 kW	369 hp
Max Net Power (1,600 rpm) – SAE J134 (metric)		373 hp
Max Net Power (1,800 rpm) – EEC 80/1269	274 kW	369 hp
Max Net Power (1,800 rpm) – EEC 80/1269 (metric)		373 hp
Peak Gross Torque (1,300 rpm) – SAE J1995	2089 N·m	1,541 ft-lb
Peak Net Torque (1,200 rpm) – SAE J1349	1959 N·m	1,445 ft-lb
Bore	130 mm	5.1 in
Stroke	157 mm	6.2 in
Displacement	12.5 L	762.8 in <sup>3</sup>

- Cat engine with ACERT Technology – meets Tier 4 Interim/ Stage IIIB emission standards.
- All non-road Tier 4/Stage IIIB and IV diesel engines are required to use:
  - Ultra Low Sulfur Diesel (ULSD) fuels containing 15 ppm (mg/kg) sulfur or less. Biodiesel blends up to B20 are acceptable when blended with 15 ppm (mg/kg) sulfur or less ULSD and when the biodiesel feedstock meets ASTM D7467 specifications.
  - Cat DEO-ULS™ or oils that meet the Cat ECF-3, API CJ-4, and ACEA E9 specifications are required.

## Transmission

Standard Torque Converter		
Forward 1	6.8 km/h	4.2 mph
Forward 2	12.1 km/h	7.5 mph
Forward 3	21.5 km/h	13.4 mph
Forward 4	37.8 km/h	23.5 mph
Reverse 1	7.8 km/h	4.8 mph
Reverse 2	13.9 km/h	8.6 mph
Reverse 3	24.5 km/h	15.2 mph
Reverse 4	42.8 km/h	26.6 mph
Lockup Torque Converter		
Forward 1	6.9 km/h	4.3 mph
Forward 2	13 km/h	8.1 mph
Forward 3	23 km/h	14.3 mph
Forward 4	40.7 km/h	25.3 mph
Reverse 1	7.9 km/h	4.9 mph
Reverse 2	14.8 km/h	9.2 mph
Reverse 3	26.1 km/h	16.2 mph
Reverse 4	40.0 km/h	24.9 mph

- Maximum travel speed in standard vehicle with empty bucket and standard L4 tires with 930 mm (37 in) roll radius.

## Hydraulic System

Steering System Pump Type	Piston	
Implement System – Maximum Pump Output (2,200 rpm)	460 L/min	121.5 gal/min
Implement System – Maximum Operating Pressure	31 000 kPa	4,496 psi
Hydraulic Cycle Time – Raise from Carry Position	6.4 Seconds	
Hydraulic Cycle Time – Dump, at Maximum Raise	1.7 Seconds	
Hydraulic Cycle Time – Lower, Empty, Float Down	3.3 Seconds	
Hydraulic Cycle Time – Total	11.4 Seconds	

- Cycle time with rated payload.

# 980K Block Handler Arrangement Specifications

## Brakes

Brakes	Meet OSHA, SAE J1473 OCT90 and ISO 3450-1985 required standards
--------	---

## Axles

Front	Fixed
Rear	Oscillating $\pm$ 13 degrees
Maximum Single-Wheel Rise and Fall	548 mm      21.6 in

## Tires

- Choose from a variety of tires to match your application.
- Choices include:
  - 29.5R25 VMT BS L3 Radial
  - 29.5R25 XHA2 MX L3 Radial
  - 29.5R25 VSDL BS L5 Radial
  - 29.5R25 XLDD2 MX L5 Radial
  - 29.5R25 X MINE D2 MX L5 Radial
- NOTE: In certain applications (such as load and carry), the loader's productive capabilities might exceed the tires' tonnes-km/h (ton-mph) capabilities. Caterpillar recommends that you consult a tire supplier to evaluate all conditions before selecting a tire model. Other special tires are available on request.

## Cab

ROPS/FOPS	Meets SAE and ISO standards
-----------	-----------------------------

- Cat cab with a four post integrated Rollover Protective Structure (ROPS) are standard in North America and Europe.
- ROPS meets SAE J1040 APR88 and ISO 3471:1994 criteria.
- Falling Objects Protective Structure (FOPS) meets SAE J231 JAN81 and ISO:1992 Level II criteria.

## Sound

- The sound values indicated below are for specific operating conditions only. Machine and operator sound levels will vary at different engine and/or cooling fan speeds. Hearing protection may be needed when the machine is operated with a cabin that is not properly maintained, or when the doors and/or windows are open for extended periods or in a noisy environment.
- The dynamic operator sound pressure level for a standard machine configuration, measured according to the procedures specified in "ISO 6396:2008," is 72 dB(A) with a cooling fan speed set at 70 percent of the maximum value.
- The sound power level that is labeled on the machine is 109 LWA. The measurement of the sound power level was made according to the test procedures and conditions that are specified in the European Union Directive "2000/14/EC" as amended by "2005/88/EC."

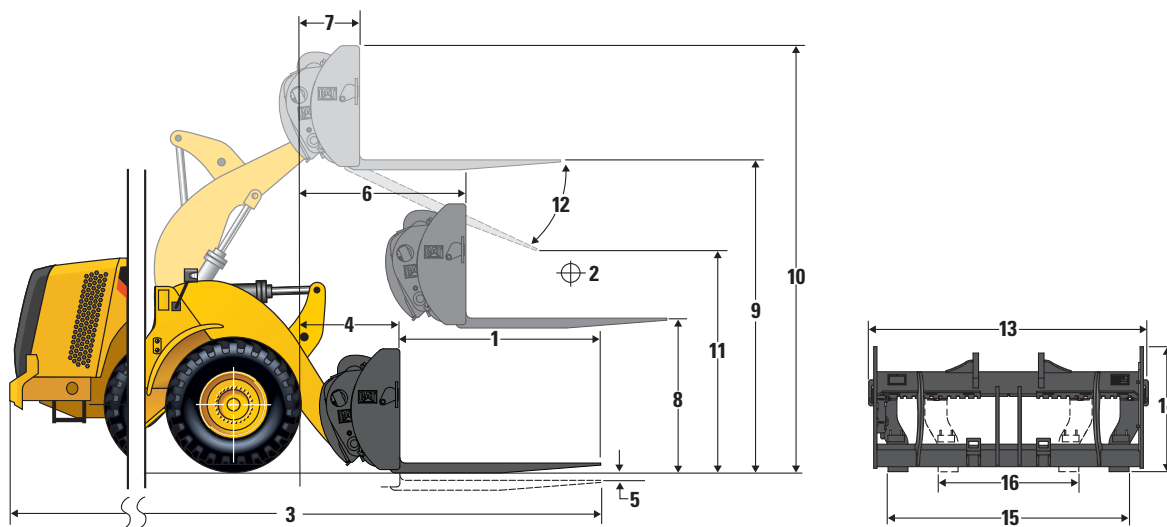
## Service Refill Capacities

Fuel Tank – Standard	447 L	118.1 gal
Cooling System	63 L	16.6 gal
Crankcase	37 L	9.8 gal
Transmission	66 L	17.4 gal
Differentials and Final Drives – Front	84 L	22.2 gal
Differentials and Final Drives – Rear	84 L	22.2 gal
Hydraulic Tank	170 L	44.9 gal

# 980K Block Handler Arrangement Specifications

## Dimensions – Block Handler Quick Coupler with Block Handler Quick Coupler Fork

All dimensions are approximate.

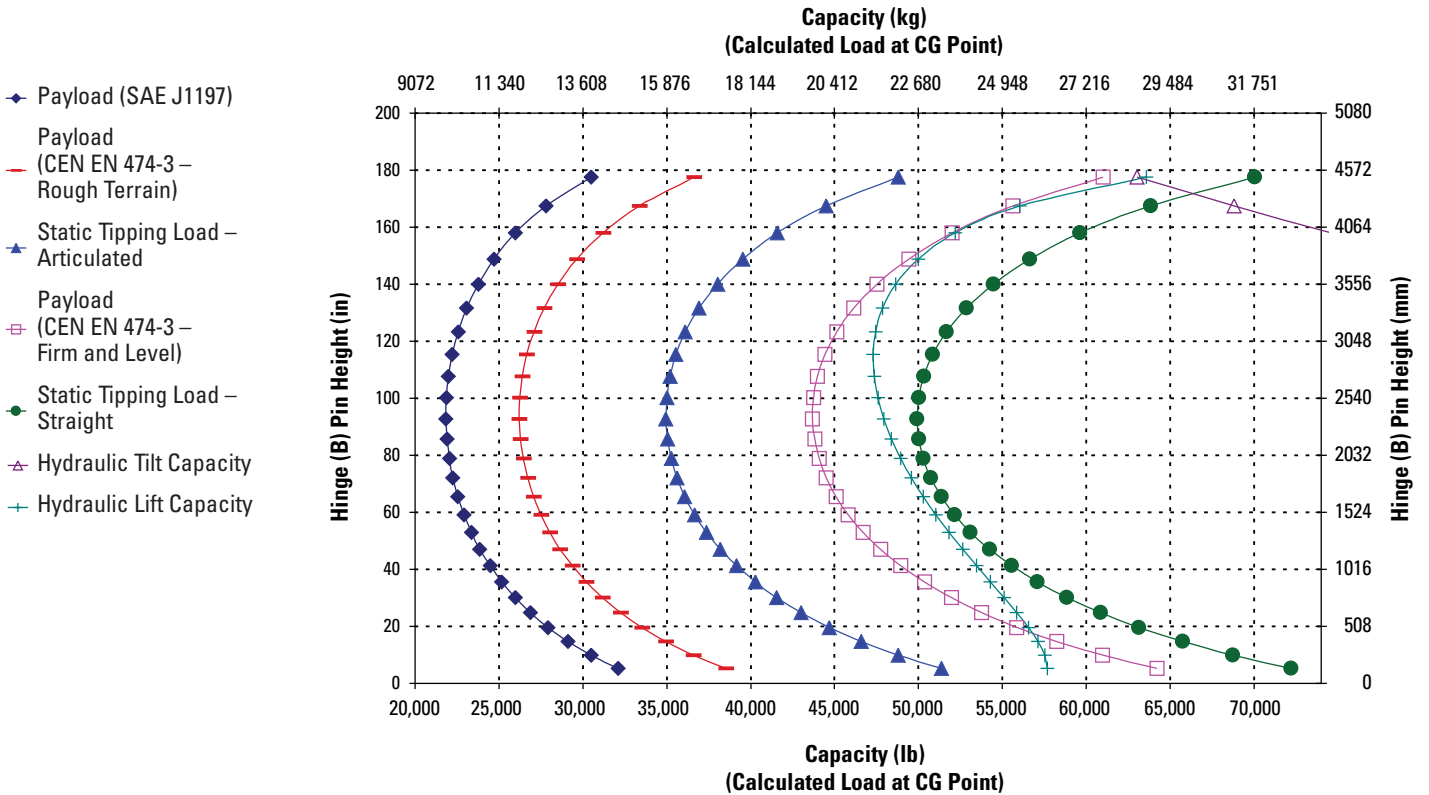


Fork Specifications	<b>L3 Tires with Chains Fork at 25 Degree Rack 1505 mm (59.3 in) Tine</b>	
<b>1</b> Tine Length	1505 mm	59.3 in
<b>2</b> Load Center	900 mm	35.4 in
Static Tipping Load – Straight (Forks Level)	22 642 kg	49,903 lb
Static Tipping Load – Articulated (Forks Level)	19 819 kg	43,681 lb
Rated Load (SAE J1197 – 50% FTSTL)	9910 kg	21,841 lb
Rated Load (CEN EN 474-3 Rough Terrain – 60% FTSTL)	11 892 kg	26,209 lb
Rated Load (CEN EN 474-3 Firm and Level Ground – 80% FTSTL)	15 855 kg	34,945 lb
<b>3</b> Maximum Overall Length	8953 mm	352.5 in
<b>4</b> Reach with Forks at Ground Level	450 mm	17.7 in
<b>5</b> Ground to Top of Tine at Minimum Height and Fork Level	791 mm	31.1 in
<b>6</b> Reach with Arms Horizontal and Forks Level	1894 mm	74.6 in
<b>7</b> Reach with Fork at Maximum Height	967 mm	38.1 in
<b>8</b> Ground to Top of Tine with Arms Horizontal and Fork Level	2900 mm	114.2 in
<b>9</b> Ground to Top of Tine at Maximum Height and Fork Level	5169 mm	203.5 in
<b>10</b> Overall Height of Fork at Full Lift (Top of Carriage to Ground)	4680 mm	184.3 in
<b>11</b> Clearance at Full Lift and Maximum Dump	2924 mm	115.1 in
<b>12</b> Maximum Discharge Angle from Horizontal	47 degree	
<b>13</b> Overall Carriage Width	3850 mm	151.6 in
<b>14</b> Overall Carriage Height	1238 mm	48.7 in
<b>15</b> Outside Tine Width (Maximum Spread)	3600 mm	141.7 in
<b>16</b> Outside Tine Width (Maximum Spread)	3600 mm	141.7 in
Tine Width (Single Tine)	304.8 mm	12.0 in
Tine Thickness	101.6 mm	4.0 in
<b>Operating Weight</b>	<b>36 599 kg</b>	<b>80,663 lb</b>



## Load Capacity Curves

L3 Tires with Chains, Fork at 25 Degree Rack, 1505 mm (59.3 in) Tine, Block Handler Quick Coupler with Block Handler Quick Coupler Fork.



### NOTE:

Static tipping loads and operating weight are based on the following loader configuration: L3 Michelin XHA tires, air conditioning, ride control, power train guard, full fluids, fuel tank, coolant, lubricants, and operator.

Specifications and ratings conform to the following standards: SAE\* J1197, SAE J732, CEN\*\* EN 474-3.

The rated operating load for a loader equipped with a pallet fork is determined by:

SAE J1197: 50% of full turn static tipping load or hydraulic limit.

CEN EN 474-3: 60% of full turn static tipping load on rough terrain or hydraulic limit.

CEN EN 474-3: 80% of full turn static tipping load on firm and level ground or hydraulic limit.

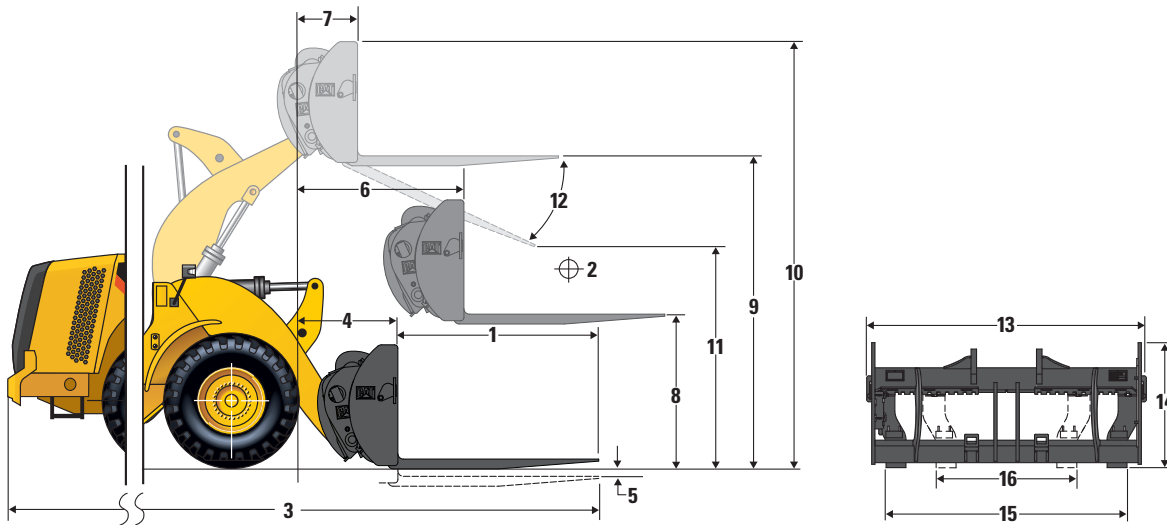
\*SAE – Society of Automotive Engineers

\*\*CEN – European Committee for Standardization

# 980K Block Handler Arrangement Specifications

## Dimensions – Block Handler Quick Coupler with Block Handler Quick Coupler Fork

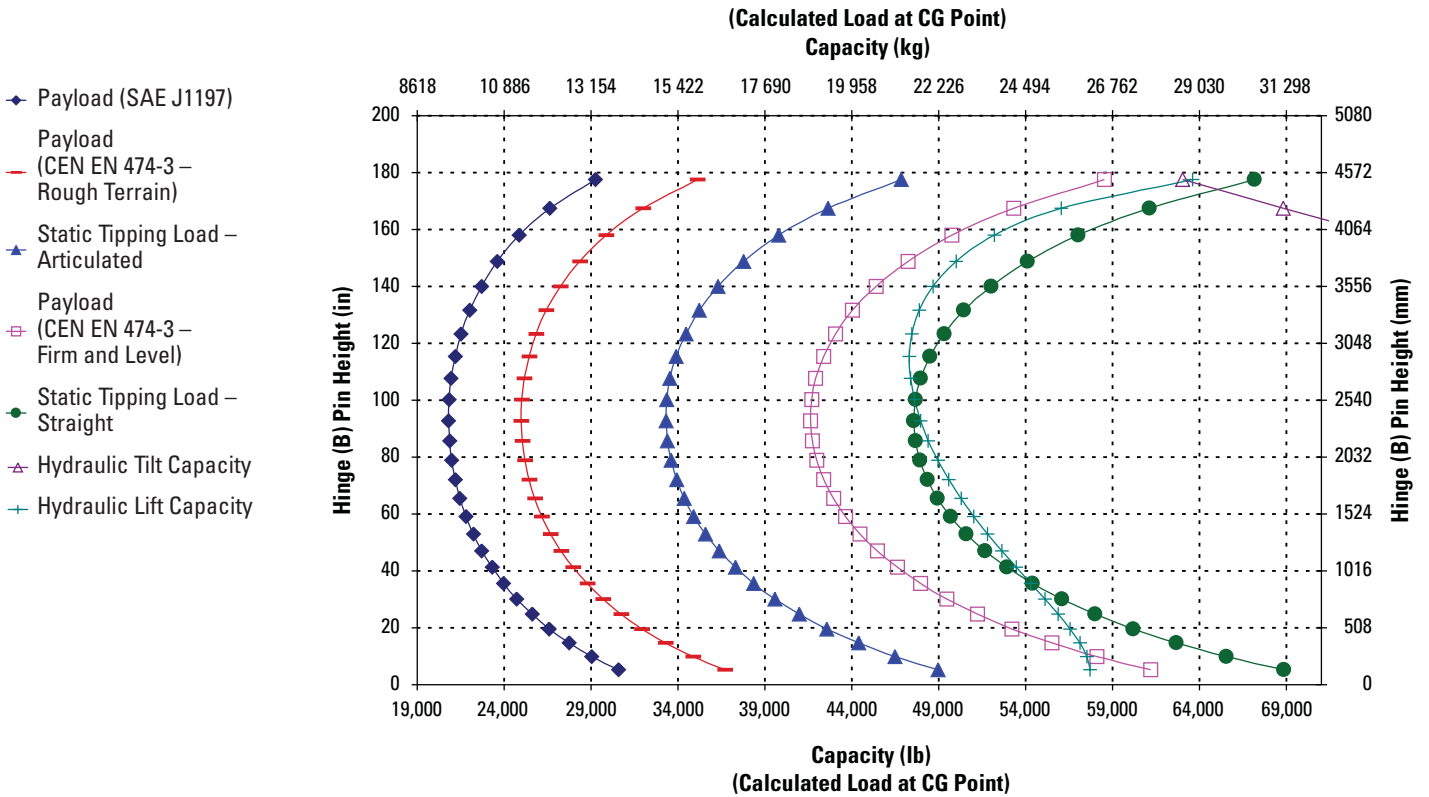
All dimensions are approximate.



Fork Specifications	L5 Tires Fork at 25 Degree Rack 1505 mm (59.3 in) Tine	
	mm	in
<b>1</b> Tine Length	1505 mm	59.3 in
<b>2</b> Load Center	900 mm	35.4 in
Static Tipping Load – Straight (Forks Level)	21 576 kg	47,553 lb
Static Tipping Load – Articulated (Forks Level)	18 879 kg	41,610 lb
Rated Load (SAE J1197 – 50% FTSTL)	9440 kg	20,805 lb
Rated Load (CEN EN 474-3 Rough Terrain – 60% FTSTL)	11 328 kg	24,966 lb
Rated Load (CEN EN 474-3 Firm and Level Ground – 80% FTSTL)	15 104 kg	33,288 lb
<b>3</b> Maximum Overall Length	8953 mm	352.5 in
<b>4</b> Reach with Forks at Ground Level	450 mm	17.7 in
<b>5</b> Ground to Top of Tine at Minimum Height and Fork Level	791 mm	31.1 in
<b>6</b> Reach with Arms Horizontal and Forks Level	1894 mm	74.6 in
<b>7</b> Reach with Fork at Maximum Height	967 mm	38.1 in
<b>8</b> Ground to Top of Tine with Arms Horizontal and Fork Level	2900 mm	114.2 in
<b>9</b> Ground to Top of Tine at Maximum Height and Fork Level	5169 mm	203.5 in
<b>10</b> Overall Height of Fork at Full Lift (Top of Carriage to Ground)	4680 mm	184.3 in
<b>11</b> Clearance at Full Lift and Maximum Dump	2924 mm	115.1 in
<b>12</b> Maximum Discharge Angle from Horizontal	47 degree	
<b>13</b> Overall Carriage Width	3850 mm	151.6 in
<b>14</b> Overall Carriage Height	1238 mm	48.7 in
<b>15</b> Outside Tine Width (Maximum Spread)	3600 mm	141.7 in
<b>16</b> Outside Tine Width (Maximum Spread)	3600 mm	141.7 in
Tine Width (Single Tine)	304.8 mm	12.0 in
Tine Thickness	101.6 mm	4.0 in
<b>Operating Weight</b>	<b>34 659 kg</b>	<b>76,388 lb</b>

## Load Capacity Curves

L5 Tires, Fork at 25 Degree Rack, 1505 mm (59.3 in) Tine, Block Handler Quick Coupler with Block Handler Quick Coupler Fork.



### NOTE:

Static tipping loads and operating weight are based on the following loader configuration: L3 Michelin XHA tires, air conditioning, ride control, power train guard, full fluids, fuel tank, coolant, lubricants, and operator.

Specifications and ratings conform to the following standards: SAE\* J1197, SAE J732, CEN\*\* EN 474-3.

The rated operating load for a loader equipped with a pallet fork is determined by:

SAE J1197: 50% of full turn static tipping load or hydraulic limit.

CEN EN 474-3: 60% of full turn static tipping load on rough terrain or hydraulic limit.

CEN EN 474-3: 80% of full turn static tipping load on firm and level ground or hydraulic limit.

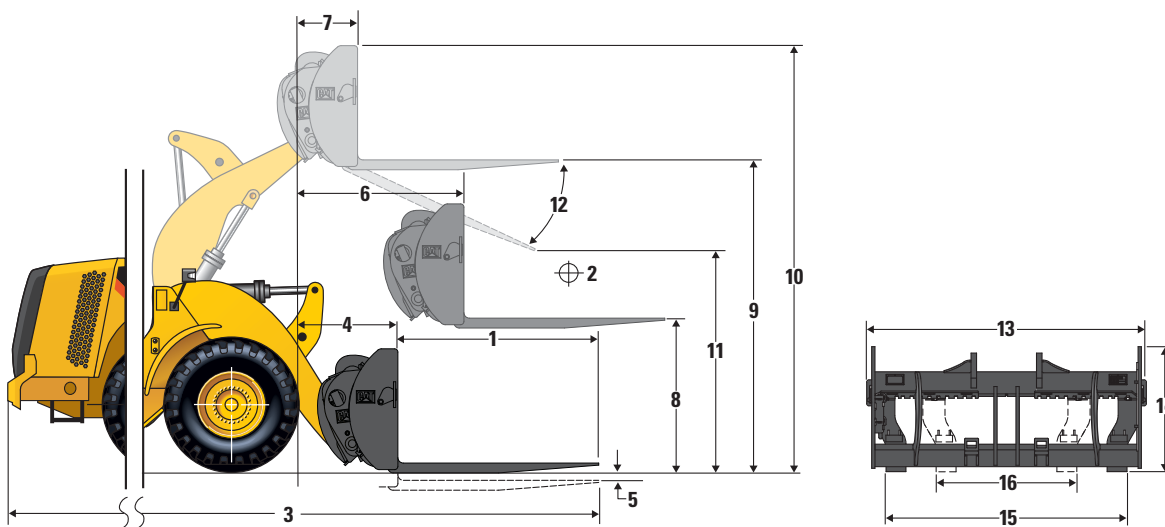
\*SAE – Society of Automotive Engineers

\*\*CEN – European Committee for Standardization

# 980K Block Handler Arrangement Specifications

## Dimensions – Block Handler Quick Coupler with Block Handler Quick Coupler Fork

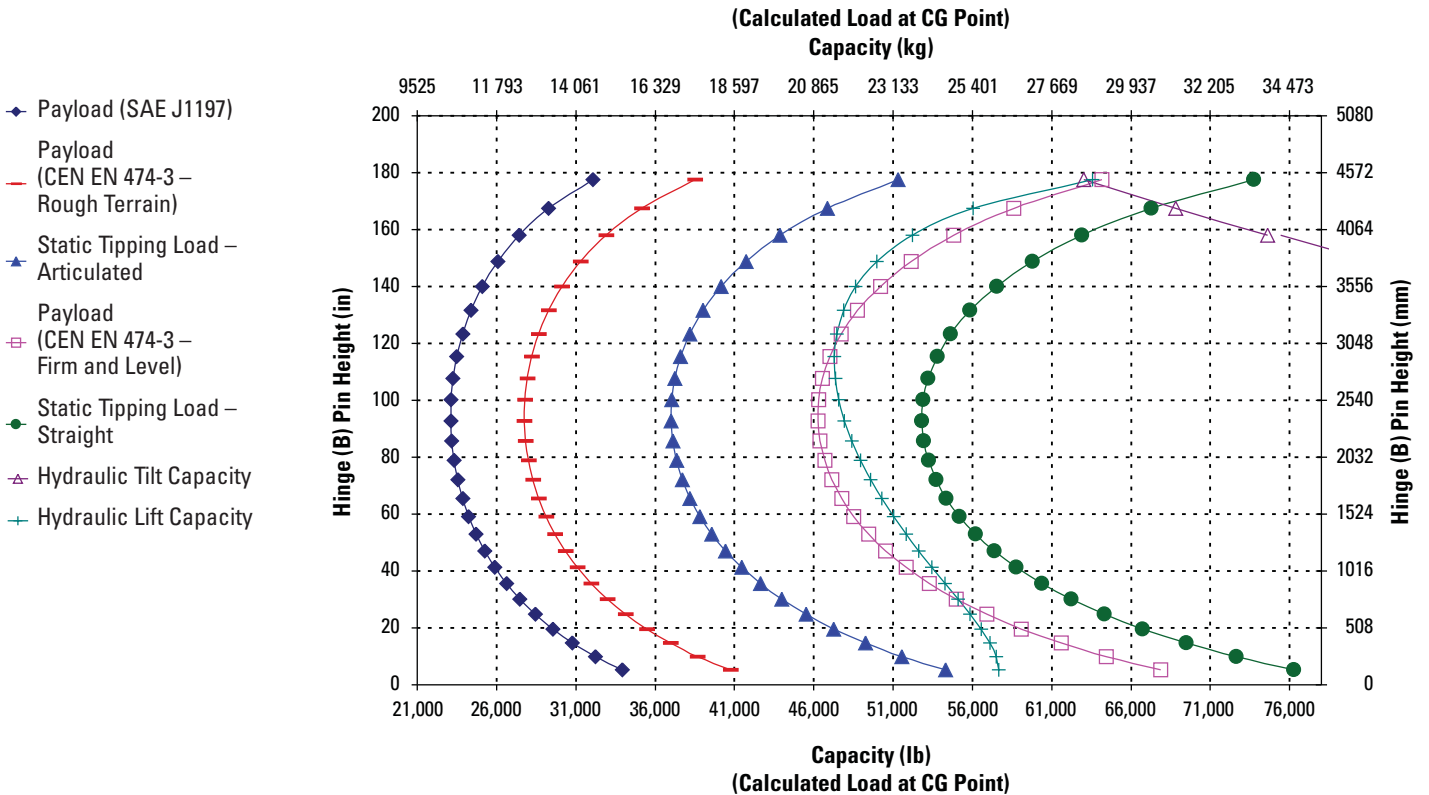
All dimensions are approximate.



Fork Specifications	L5 Tires With Rear Tire Ballast Fork at 25 Degree Rack 1505 mm (59.3 in) Tine	
<b>1</b> Tine Length	1505 mm	59.3 in
<b>2</b> Load Center	900 mm	35.4 in
Static Tipping Load – Straight (Forks Level)	23 958 kg	52,804 lb
Static Tipping Load – Articulated (Forks Level)	20 981 kg	46,243 lb
Rated Load (SAE J1197 – 50% FTSTL)	10 491 kg	23,121 lb
Rated Load (CEN EN 474-3 Rough Terrain – 60% FTSTL)	12 589 kg	27,746 lb
Rated Load (CEN EN 474-3 Firm and Level Ground – 80% FTSTL)	16 785 kg	36,994 lb
<b>3</b> Maximum Overall Length	8953 mm	352.5 in
<b>4</b> Reach with Forks at Ground Level	450 mm	17.7 in
<b>5</b> Ground to Top of Tine at Minimum Height and Fork Level	791 mm	31.1 in
<b>6</b> Reach with Arms Horizontal and Forks Level	1894 mm	74.6 in
<b>7</b> Reach with Fork at Maximum Height	967 mm	38.1 in
<b>8</b> Ground to Top of Tine with Arms Horizontal and Fork Level	2900 mm	114.2 in
<b>9</b> Ground to Top of Tine at Maximum Height and Fork Level	5169 mm	203.5 in
<b>10</b> Overall Height of Fork at Full Lift (Top of Carriage to Ground)	4680 mm	184.3 in
<b>11</b> Clearance at Full Lift and Maximum Dump	2924 mm	115.1 in
<b>12</b> Maximum Discharge Angle from Horizontal	47 degree	
<b>13</b> Overall Carriage Width	3850 mm	151.6 in
<b>14</b> Overall Carriage Height	1238 mm	48.7 in
<b>15</b> Outside Tine Width (Maximum Spread)	3600 mm	141.7 in
<b>16</b> Outside Tine Width (Maximum Spread)	3600 mm	141.7 in
Tine Width (Single Tine)	304.8 mm	12.0 in
Tine Thickness	101.6 mm	4.0 in
<b>Operating Weight</b>	<b>36 805 kg</b>	<b>81,118 lb</b>

## Load Capacity Curves

L5 Tires With Rear Tire Ballast, Fork at 25 Degree Rack, 1505 mm (59.3 in) Tine, Block Handler Quick Coupler with Block Handler Quick Coupler Fork.



### NOTE:

Static tipping loads and operating weight are based on the following loader configuration: L3 Michelin XHA tires, air conditioning, ride control, power train guard, full fluids, fuel tank, coolant, lubricants, and operator.

Specifications and ratings conform to the following standards: SAE\* J1197, SAE J732, CEN\*\* EN 474-3.

The rated operating load for a loader equipped with a pallet fork is determined by:

SAE J1197: 50% of full turn static tipping load or hydraulic limit.

CEN EN 474-3: 60% of full turn static tipping load on rough terrain or hydraulic limit.

CEN EN 474-3: 80% of full turn static tipping load on firm and level ground or hydraulic limit.

\*SAE – Society of Automotive Engineers

\*\*CEN – European Committee for Standardization

# 980K Block Handler Standard Equipment

## Standard Equipment

Standard equipment may vary. Consult your Cat dealer for details.

### POWER TRAIN

- Brakes, full hydraulic enclosed wet-disc with Integrated Braking System (IBS)
- Brake wear indicators
- Diesel Particulate Filter (DPF)
- Engine, Cat C13 that meets Tier 4 Interim/ Stage IIIB emission standards
- Fast fuel system ready
- Fan, radiator, electronically controlled, hydraulically driven, temperature sensing, on demand
- Fuel Management System (FMS)
- Fuel priming pump (electric)
- Fuel/water separator
- Guard, vandalism
- Power train guard
- Precleaner, engine air intake
- Radiator, unit core (6 fpi) with ATAAC
- Secondary Steering
- Switch, transmission neutralizer lockout
- Torque converter (free wheel stator)
- Transmission, automatic planetary power shift (4F/4R)
- Variable Shift Control (VSC)
- Extreme service heavy duty planetary powershift transmission

### ELECTRICAL

- Alarm, back-up
- Alternator, 150-amp brushless
- Batteries, (4) maintenance free 1,000 CCA
- Ignition key; start/stop switch
- Lighting system:
  - Four halogen work lights
  - Two halogen roading lights (with signals)
  - Two halogen rear vision lights (hood mounted)
- Lights, signal LED Rear
- Main disconnect switch
- Receptacle start (cables not included)
- Starter, electric, heavy duty
- Starting and charging system (24-volt)

### OPERATOR ENVIRONMENT

- Air conditioner, heater, and defroster (auto temp and fan)
- Beverage holders (2) with storage compartment for cell phone/MP3 player
- Bucket/Work tool function lockout
- Cab, pressurized and sound suppressed, (ROPS/FOPS) radio ready (entertainment) includes antenna, speakers and converter (12-volt 10-amp)
- Camera, rearview
- Coat hook (2)
- EH controls, lift and tilt function
- EH parking brake
- Computerized Monitoring System
- Instrumentation, gauges:
  - Digital gear range indicator
  - DPF soot loading percent
  - Engine coolant temperature
  - Fuel level
  - Hydraulic oil temperature
  - Speedometer/tachometer
  - Transmission oil temperature
- Instrumentation, warning indicators:
  - Axle oil temperature
  - Battery voltage hi/low
  - Engine air filter restriction
  - Engine intake manifold temperature
  - Engine oil pressure
  - Fuel level and pressure hi/low
  - Hydraulic oil filter restriction
  - Hydraulic oil low
  - Parking brake
  - Primary steering oil pressure
  - Service brake oil pressure
  - Transmission filter bypass
- Horn, electric
- Light, two dome (cab)
- Mirrors, rearview external (includes spot mirrors)
- Post mounted membrane switch keypads
- Receptacle, 12-Volt (3)
- Seat, Cat Comfort (cloth) air suspension
- Seat belt, retractable, 51 mm (2") wide
- Steering, EH joystick, speed sensing with force feedback
- Sun visor, front
- Wet-arm wipers/washers (front and rear)
  - Intermittent front wiper
- Window, sliding (left and right side)
- Viscous cab mounts

### TIRES

- A tire must be selected from the mandatory attachments section. Base machine price includes a tire allowance

### FLUIDS

- Premixed 50% concentration of Extended Life Coolant with freeze protection to  $-34^{\circ}\text{C}$  ( $-29^{\circ}\text{F}$ )

### OTHER STANDARD EQUIPMENT

- Auto idle shutdown
- Couplings, Cat O-ring face seals
- Engine Idle Management system
- Ecology drains for engine, transmission, axles, and hydraulics
- Ether aid
- Fenders, steel front with mud-flap/rear with extension
- Filters:
  - Fuel, primary/secondary
  - Engine air, primary/secondary
  - Engine oil
  - Hydraulic oil
  - Transmission
- Fuel cooler
- Grease zerks
- Grill, airborne debris
- Guard, crankcase
- Hitch, drawbar with pin
- Hood, non-metallic power tilting with rear clamshell
- Hoses, Cat XT™
- Hydraulic oil cooler (swing out)
- Hydraulic system, load sensing
- Kickout, lift and tilt, automatic (adjustable in cab)
- Linkage, Z-bar, cast crosstube/tilt lever
- Oil sampling valves
- Platform, window washing
- Product Link
- Remote diagnostic pressure taps
- Ride control, 2V
- Service center (electrical and hydraulic)
- Sight gauges: engine coolant, hydraulic oil, and transmission oil level
- Steering, load sensing
- Toolbox
- Trap seals
- Vandalism protection caplocks

## Optional Equipment

Optional equipment may vary. Consult your Cat dealer for details.

- Power Train
  - Differentials
  - Open, front or rear
  - Limited slip, front or rear
  - Extreme temperature seals
  - Seal guards
  - Axle oil cooler
  - Axle oil cooler ready
- Cold start/high altitude package (240V)
- Comfort package
- Work lighting package, halogen
- Work lighting package, HID
- Cab protection package
- Quick coupler (contact Cat Work Tools)
- Lockup clutch torque converter
- Bucket and work tool options (contact Cat Work Tools)
- Lights, Signal LED Front
- Product Link, satellite
- Control, aggregate autodig
- Payload control system
- Radio, AM/FM CD/MP3 player
- Radio, AM/FM CD/MP3 player (Bluetooth)
- Filter, carbon fresh air
- RESPA air filtration
- Sun visor, rear
- Security system, machine
- Cooling, high ambient
- Guard, front window
- Guard, complete cab
- Guard, front window (Logger)
- Autolube
- Fenders, roading with fender extensions front/rear
- Precleaner, HVAC
- Precleaner, turbine
- Precleaner, turbine/trash
- Oil change system, high speed
- Fan, variable pitch
- Antifreeze, -50° C (-58° F)
- EH steering wheel
- Retractable, 18-degree inclined ladder

For more complete information on Cat products, dealer services, and industry solutions, visit us on the web at [www.cat.com](http://www.cat.com)

AEHQ7003 (04-2013)

© 2013 Caterpillar Inc.  
All rights reserved

Materials and specifications are subject to change without notice. Featured machines in photos may include additional equipment. See your Cat dealer for available options.

CAT, CATERPILLAR, SAFETY.CAT.COM, their respective logos, "Caterpillar Yellow" and the "Power Edge" trade dress, as well as corporate and product identity used herein, are trademarks of Caterpillar and may not be used without permission.



*Courtesy of Machine.Market*