

279C, 289C, 299C

Compact Track Loaders

CATERPILLAR[®]



	279C	289C	299C
Cat[®] C3.4 DIT Diesel Engine			
Net Power (SAE J1349)	61 kW (82 hp)	61 kW (82 hp)	67 kW (90 hp)
Weights			
Operating Weight	4487 kg (9,892 lb)	4702 kg (10,365 lb)	4867 kg (10,730 lb)
Operating Specifications			
Rated Operating Capacity at 50% Tipping Load	1451 kg (3,200 lb)	1746 kg (3,850 lb)	1882 kg (4,150 lb)

Courtesy of Machine.Market

Features

Sealed and Pressurized Cab

Sealed and pressurized cab option provides a cleaner and quieter operating environment.

Seat Mounted Adjustable Controls

Ergonomic seat mounted adjustable controls and available air ride seat can be adjusted to meet your personal preference.

Suspended Undercarriage

Suspended undercarriage features low ground pressure so you can work on sensitive surfaces and in soft underfoot conditions.

High Performance Power Train

Increased horsepower and higher torque deliver outstanding performance.

High Flow XPS Hydraulic System

High flow XPS hydraulic system available on all models for applications demanding maximum hydraulic work tool performance.

More Work Tools

The broad range of performance matched Cat Work Tools make the Cat Compact Track Loader the most versatile machine on the job site.



Contents

Operator Station	3
Hydraulics	4
Undercarriage	4
Power Train	5
Lift Linkages.....	5
Work Tools	6
Serviceability.....	7
Customer Support.....	7
Specifications	8
Standard Equipment.....	11
Optional Equipment	11

The new Cat C-Series Compact Track Loaders lead the industry in operator comfort, performance and versatility. Inside the spacious operator station, feel the superior comfort of a sealed and pressurized cab. Adjustable seat mounted controls and an available air ride seat keep you comfortable throughout the work day. Low ground pressures, increased rated operating capacities, higher horsepower and excellent drawbar performance help you get more done and increase your bottom line.

Operator Station

Superior comfort to keep you productive throughout the work day.

Superior Comfort

Comfort and ease of operation have been designed into every aspect of the operator station. The wide, spacious interior and uncluttered floor provide a comfortable work environment with excellent head, shoulder and leg room to keep productivity high and fatigue low.

Sealed and Pressurized Cab

Operators spend long hours in the machine. The new optional sealed and pressurized cab keeps dust out and clean air in for greater operator comfort. Reduced sound levels within the cab also help reduce fatigue.

Seat Mounted Joystick Controls

Ergonomic, seat mounted joystick controls enable a wide range of comfortable operating positions for operators of any size. The seat and controls are independently adjustable to meet the specific needs of the operator.

Advanced Machine Information and Control System

The optional Advanced Machine Information and Control System (AMICS) provides easy to read analog gauges for hydraulic oil and engine coolant temperature. The electronic display provides additional operating information such as engine speed, job clock and diagnostic service codes. This display also provides the user interface for the optional AccuGrade Grade Control System. The Selectable Work Speed Control, Selectable Implement Control and Selectable Hystat Response Control modes allow the operator to “dial in” his machine to maximize production.

Additional Features for Maximum Comfort

The C-Series machines offer the following additional features to help you on the job:

- Air ride seat available for an unparalleled level of comfort in a compact track loader.
- Easy to read instrument panels.
- Optional air conditioner and heater for greater comfort in extreme conditions.
- Optional Selectable Pattern Control which allows the operator to select the control pattern they are most familiar with for greater productivity.



Hydraulics

Exceptional lift, breakout and power to meet your needs.



High Performance Hydraulic System

Maximum power and reliability are built into the Cat Compact Track Loader hydraulic system. In addition to providing power to the tracks, this system also powers the loader lift and tilt functions, powers the auxiliary circuit to drive work tools and drives the engine cooling fan. The C-Series hydraulic system features increased lift and tilt breakout forces allowing you to move more material and get more done. The continuous demand fan provides improved fuel efficiency, increased horsepower, reduced sound levels and improved cold weather performance. Cat ToughGuard™ hoses increase reliability and durability. High capacity hydraulic tank and side-by-side cooling package keep components cool for maximum durability.

High Flow XPS

High flow XPS hydraulic system is available on all models for greater machine versatility. Maximum performance can be maintained regardless of the work tool speed or conditions with this load sensing, pressure compensating system. Cat cooling systems are sized to allow the operator to continuously power high flow work tools in conditions that cause competitive machines to overheat.

Selectable Implement Control

The Selectable Implement Control option with three levels of control gives the operator the ability to adjust the responsiveness and speed of the lift and tilt functions for more precise implement control.

Standard Two Speed

Two speed, offered as standard equipment, increases top speed up to 13.6 km/h (8.5 mph) allowing you to finish jobs faster.

Steel Embedded Rubber Track Undercarriage

Industry-first suspended undercarriage for versatility, durability, comfort.

Caterpillar introduces the industry's first fully suspended undercarriage for a Compact Track Loader. The heavy-duty torsion axles suspend the CTL undercarriage and can move independently relative to the machine and each other. These axles absorb most of the shock to the undercarriage, machine and operator, especially over rough terrain. This means smooth travel, even at high speeds, as well as better load retention and greater productivity. The tread design ensures a smooth ride and a great combination of traction and flotation. The C-Series CTL offers ground pressures ranging from 27.2 kPa (4.0 psi) to 29.6 kPa (4.3 psi).

The CTL undercarriage system features highly durable and easily maintained components. Steel imbeds provide a rigid support for the entire width of the track and provide excellent durability in a wide variety of applications. Continuously wound cables hold these imbeds in place and provide tensile strength, ensuring the track does not stretch. Following the same philosophy as Cat Track-Type Tractors, the elevated external positive drive system keeps drive components away from ground debris. Planetary final drive motors improve torque and drawbar performance, delivering more power to the ground. Steel rollers with metal face seals provide maximum protection for wheel bearings resulting in long-term durability and reliability in even the toughest conditions. The simple recoil grease tensioning system allows quick track tension adjustment.



Power Train

Aggressive performance with fuel efficiency.

Cat Engine

The high performance power train provides high engine horsepower and torque. The C-Series features the Cat C3.4 DIT engine – a rugged, reliable engine that meets U.S. EPA Tier 3 emissions requirements. The 299C is equipped with an Air-to-Air After Cooler (ATAAC) for better fuel efficiency and lower emissions as well as increased horsepower and torque.

Hand and Foot Throttles

Hand and foot throttles allow the operator to match engine speed to the task. The hand throttle is ideal for jobs requiring constant engine speed such as cold planing, trenching or snow blowing. The foot throttle lets the operator vary engine speed and minimize fuel consumption for other tasks such as load and carry, truck loading, grading and dozing.

Electronic Torque Management

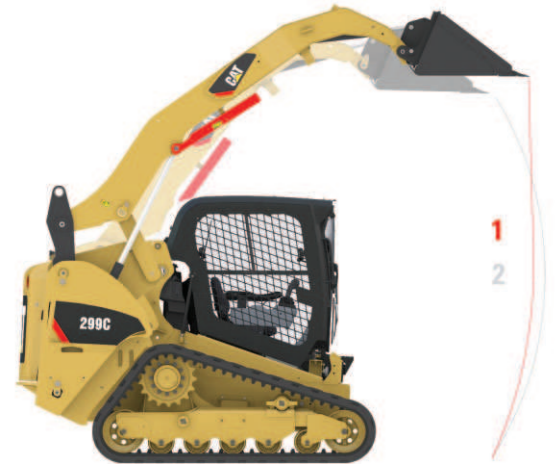
The Electronic Torque Management system maximizes power to the ground and prevents the engine from stalling in tough digging and dozing applications for maximum productivity. The system allows part throttle operation which provides smoother machine operation and reduces fuel consumption.

Selectable Work Speed Control

The optional Selectable Work Speed Control lets you select the ground speed that is best suited for the application. This feature is useful in operations such as trenching and cold planing that require precise machine control at relatively slow and constant speeds.

Selectable Hystat Response Control

The optional Selectable Hystat Response Control lets the operator select one of three modes to match the machine's drive response to the operator's preference, skill level and application requirements.



Lift Linkages

Built for tough working conditions.

Choice of Lift Designs

Two types of lifting arrangements are available on the C-Series Compact Track Loaders – vertical lift (path #1 above) and radial lift (path #2) – to meet your specific application needs.

Vertical Lift

The 289C and 299C feature the vertical lift design which provides extended reach and lift height for quick and easy truck loading and material placement. The lift height is 3239 mm (127 in) on the 289C and 3286 mm (129 in) on the 299C.

Radial Lift

The 279C, with its radial lift design, delivers excellent digging performance and superior mid-lift reach.



Work Tools

Do more jobs with one machine using Cat Work Tools.

The Right Tool for the Job

Designed and built for optimum performance and durability, Cat Work Tools deliver high productivity in a variety of applications to maximize versatility:

- Augers
- Backhoes
- Blades (angle, dozer)
- Buckets (general purpose, high capacity, dirt, utility, light material, multi purpose, industrial grapple, utility grapple)
- Brooms (angle, pickup, utility)
- Brushcutters
- Cold Planers
- Forks (pallet, industrial grapple, utility grapple, utility)
- Hydraulic Hammers
- Landscape Tillers
- Landscape Rakes
- Material Handling Arm
- Mulcher
- Power Box Rakes
- Shear
- Snow Blowers
- Stump Grinders
- Trenchers
- Vibratory Compactors
- Wheel Saws

Quick Couplers

Work tools can be changed quickly and easily with the Cat Compact Track Loader's quick coupler system. The standard quick coupler features manual engagement and disengagement of work tools using two high leverage handles. The optional hydraulic quick coupler allows the operator to quickly change tools without leaving the cab.

AccuGrade™ Grade Control System for Skid Steer, Multi Terrain and Compact Track Loaders

Common to AccuGrade systems for Track-Type Tractors and Motor Graders, this deeply integrated solution automates the machine's electrohydraulic controls to achieve a consistent grade across the work site, improve accuracy and increase productivity, ultimately lowering operating and material costs.



Serviceability

Simplified service and maintenance save you time and money.



Easy Service

Convenient service features make maintenance easy, reducing your downtime:

- Rear door opens 90 degrees for easy access to both sides of the engine.
- Cooling package tilts up to provide excellent access to the engine compartment.
- Cab tilts rearward for easy access to all hydraulic pumps, motors, valves, lines and hydraulic tank.
- Daily maintenance points are easily accessible.
- Wires are color coded and numbered for easy identification.
- S•O•SSM oil sampling valves are standard to allow regular monitoring of the hydraulic oil quality.

Customer Support

Unmatched support makes the difference.

Superior Dealer Service

Your Cat dealer is ready to assist you with your purchase decision and everything after.

- Make detailed comparisons of the machines you are considering before you buy – with estimates of component life, preventative maintenance and the true cost of production.
- Customize the machine that is right for you using the Build and Quote application on your dealer's website or www.cat.com.
- Financing packages are flexible to meet your needs.
- Repair option programs guarantee the cost of repairs up front.
- Nearly all parts are available at the dealer parts counter.
- Operator training can improve your operator's techniques and boost your profits.
- Your Cat dealer can evaluate the cost involved in repairing, rebuilding and replacing your machine so you can make the right choice.



279C, 289C, 299C Compact Track Loaders Specifications

Engine

Engine Model	Cat C3.4 DIT	
Net Power (SAE J1349)		
279C / 289C	61 kW	82 hp
299C	67 kW	90 hp
Gross Power (SAE J1995)		
279C / 289C	63 kW	84 hp
299C	70 kW	94 hp
Displacement	3.3 L	201 in ³
Stroke	120 mm	4.7 in
Bore	94 mm	3.7 in

Weights

Operating Weight		
279C	4487 kg	9,892 lb
289C	4702 kg	10,365 lb
299C	4867 kg	10,730 lb

Operating Specifications

Rated Operating Capacity (50% Tipping Load)		
279C	1451 kg	3,200 lb
289C	1746 kg	3,850 lb
299C	1882 kg	4,150 lb

Rated Operating Capacity (35% Tipping Load)		
279C	1016 kg	2,240 lb
289C	1222 kg	2,695 lb
299C	1318 kg	2,905 lb

Rated Operating Capacity w/Optional Counterweight		
279C	1572 kg	3,465 lb
289C	1860 kg	4,101 lb
299C	2004 kg	4,418 lb

Tipping Load		
279C	2941 kg	6,483 lb
289C	3502 kg	7,721 lb
299C	3782 kg	8,338 lb

Breakout Force, Tilt Cylinder	3315 kg	7,308 lb
-------------------------------	---------	----------

Ground Contact Area	1.62 m ²	2,504 in ²
---------------------	---------------------	-----------------------

Ground Pressure		
279C	27.2 kPa	4.0 psi
289C	28.5 kPa	4.1 psi
299C	29.6 kPa	4.3 psi

Hydraulic System

Hydraulic Flow	Standard	
Loader Hydraulic Pressure	23 000 kPa	3,335 psi
Loader Hydraulic Flow	84 L/min	22 gal/min
Hydraulic Power	31.9 kW	42.8 hp
Hydraulic Flow	High Flow XPS	
Max. Loader Hydraulic Pressure	28 000 kPa	4,061 psi
Max. Loader Hydraulic Flow	125 L/min	33 gal/min

Cab

ROPS	SAE J1040 MAY94, ISO 3471:1994	
FOPS	SAE J1043 SEPT87, ISO 3449:1992 Level I	
FOPS Level II	SAE J231 JAN81, ISO 3449:1992 Level II	

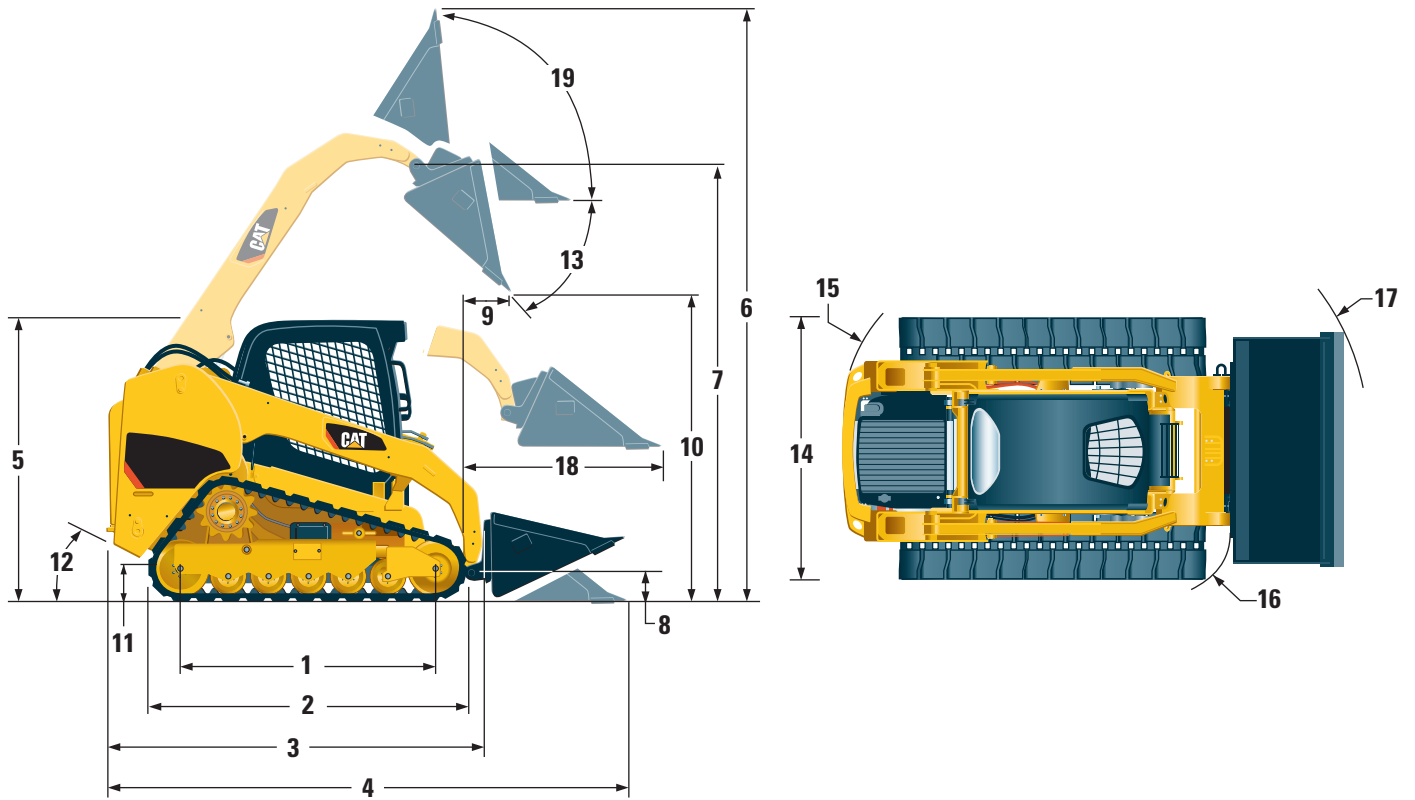
Power Train

Travel Speed (Forward or Reverse)	8.1 km/h	5.0 mph
Travel Speed – 2-Speed (Forward or Reverse)	13.6 km/h	8.5 mph

Service Refill Capacities

Cooling System	14 L	3.7 gal
Engine Crankcase	10 L	2.6 gal
Fuel Tank	98 L	26 gal
Hydraulic System	57 L	15 gal
Hydraulic Tank	42 L	11 gal

Dimensions

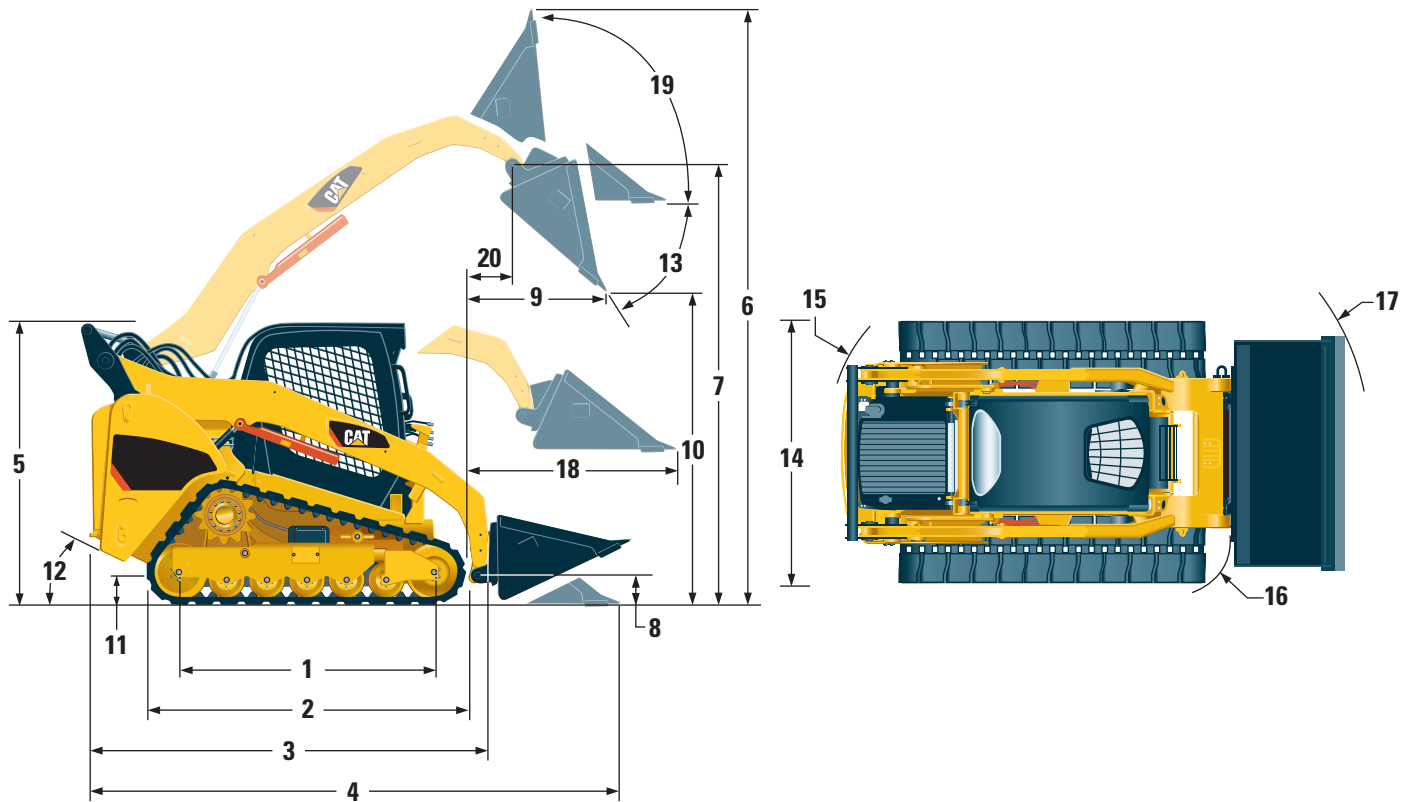


279C

1	Length of Track on Ground	1767 mm	69.6 in
2	Overall Length of Track	2270 mm	89.4 in
3	Length w/o Bucket	2960 mm	116.5 in
4	Length w/Bucket on Ground	3679 mm	144.8 in
5	Height to Top of Cab	2117 mm	83.3 in
6	Max. Overall Height	4005 mm	157.7 in
7	Bucket Pin Height at Max. Lift	3128 mm	123.2 in
8	Bucket Pin Height at Carry Position	195 mm	7.7 in
9	Reach at Max. Lift and Dump	594 mm	23.4 in
10	Clearance at Max. Lift and Dump	2427 mm	95.6 in
11	Ground Clearance	231 mm	9.1 in
12	Departure Angle		44°
13	Maximum Dump Angle		40°
14	Vehicle Width	1981 mm	78.0 in
15	Turning Radius from Center – Machine Rear	1640 mm	64.6 in
16	Turning Radius from Center – Coupler	1471 mm	57.9 in
17	Turning Radius from Center – Bucket	2314 mm	91.1 in
18	Max. Reach w/Arms Parallel to Ground	1387 mm	54.6 in
19	Rack Back Angle at Max. Height		85°

279C, 289C, 299C Compact Track Loaders Specifications

Dimensions



	289C		299C	
1 Length of Track on Ground	1767 mm	69.6 in	1767 mm	69.6 in
2 Overall Length of Track	2270 mm	89.4 in	2270 mm	89.4 in
3 Length w/o Bucket	2960 mm	116.5 in	3101 mm	122.1 in
4 Length w/Bucket on Ground	3679 mm	144.8 in	3820 mm	150.4 in
5 Height to Top of Cab	2117 mm	83.3 in	2117 mm	83.3 in
6 Max. Overall Height	4081 mm	160.7 in	4121 mm	162.3 in
7 Bucket Pin Height at Max. Lift	3239 mm	127.5 in	3286 mm	129.4 in
8 Bucket Pin Height at Carry Position	195 mm	7.7 in	195 mm	7.7 in
9 Reach at Max. Lift and Dump	781 mm	30.7 in	763 mm	30.0 in
10 Clearance at Max. Lift and Dump	2456 mm	96.7 in	2493 mm	98.1 in
11 Ground Clearance	231 mm	9.1 in	231 mm	9.1 in
12 Departure Angle	44°		38°	
13 Maximum Dump Angle	50°		51°	
14 Vehicle Width	1981 mm	78.0 in	1981 mm	78.0 in
15 Turning Radius from Center - Machine Rear	1640 mm	64.6 in	1775 mm	69.9 in
16 Turning Radius from Center - Coupler	1471 mm	57.9 in	1471 mm	57.9 in
17 Turning Radius from Center - Bucket	2314 mm	91.1 in	2314 mm	91.1 in
18 Max. Reach w/Arms Parallel to Ground	1282 mm	50.5 in	1269 mm	49.9 in
19 Rack Back Angle at Max. Height	85°		83°	
20 Bucket Pin Reach at Max. Lift	371 mm	14.6 in	374 mm	14.7 in

279C, 289C, 299C Standard Equipment

Standard equipment may vary. Consult your Cat dealer for details.

ELECTRICAL

12 volt Electrical System
90 ampere Alternator
Automatic Glow Plug Activation
Ignition Key Start/Stop Switch
Lights: Gauge backlighting, two rear tail lights, two rear working lights, two adjustable front halogen lights, dome light.
Backup Alarm
Heavy Duty Battery, 880 CCA

OPERATOR ENVIRONMENT

Gauges: Fuel level, hour meter
Operator Warning System Indicators:
Air filter restriction, alternator output, armrest raised/operator out of seat, engine coolant temperature, engine oil pressure, glow plug activation, hydraulic filter restriction, hydraulic oil temperature, parking brake engaged
Vinyl seat, mechanical suspension
Fold-in Ergonomic Contoured Armrest
Control Interlock System, when operator leaves seat or armrest raised: Hydraulic system disables, hydrostatic transmission disables, parking brake engages
ROPS Cab, Open, Tilt Up
FOPS, Level I
Top and Rear Windows
Headliner, Deluxe
Floor Mat
Interior Rear View Mirror
12 volt Electric Socket
Horn

POWER TRAIN

Cat C3.4 DIT Tier 3 Compliant Diesel Engine
Air Cleaner, Dual Element, Radial Seal
S•O•SSM Sampling Valve, Hydraulic Oil Filters, Spin-on, Hydraulic
Filters, Bayonet-type, Fuel and Water Separator
Tilt Up Radiator/Hydraulic Oil Cooler
Spring Applied, Hydraulically Released, Wet Multi Disc Parking Brake
Hydrostatic Transmission, 2 Speed

OTHER

Suspension, Torsion Axles
Engine Enclosure, Lockable
Extended Life Antifreeze, -37° C (-34° F)
Machine Tie Down Points (4)
Support, Lift Arm
Hydraulic Oil Level Sight Gauge
Radiator Coolant Level Sight Gauge
Radiator, Expansion Bottle
Cat ToughGuard™ Hose
Auxiliary, Hydraulics, Continuous Flow
Heavy Duty, Flat Faced Quick Disconnects
Split D-Ring to Route Work Tool Hoses Along Side of Left Lift Arm
Electrical Outlet, Beacon
Belly Pan Cleanout
Variable Speed Demand Fan

MANDATORY EQUIPMENT

Hydraulics, Standard or High Flow XPS
Quick Coupler, Mechanical or Hydraulic
Seat Belt, 50 mm (2 in) or 75 mm (3 in)

Comfort Package

(must select one of the following):

- Open ROPS (C1): Radio Ready, Suspension Seat (no heater or door)
- Enclosed ROPS with Heat (C2): Cup Holder, Radio Ready, Seat (choice of Suspension or Air Ride), Heater and Defroster, Side Windows, Door (either Glass or Polycarbonate)
- Enclosed ROPS with A/C (C3): Features of C2 Package plus Air Conditioner

Performance Package

(must select one of the following):

- TL1: Two Speed
- TL2: Two Speed, Self Level
- TL3: Two Speed, Self Level, Advanced Machine Information and Control System (AMICS)

279C, 289C, 299C Optional Equipment

Optional equipment may vary. Consult your Cat dealer for details.

Counterweight
Beacon, Rotating
Engine Block Heater – 120V or 240V
Oil, Hydraulic, Cold Operation
Paint, Custom
Work Tool Electrical Control
AM/FM/Weather Band Radio with CD Player and Auxiliary Input Jack

279C, 289C, 299C Compact Track Loaders

For more complete information on Cat products, dealer services, and industry solutions, visit us on the web at www.cat.com

© 2010 Caterpillar Inc.
All rights reserved
Printed in the U.S.A.

AEHQ5987-02 (05-2010)
Replaces AEHQ5987-01

Materials and specifications are subject to change without notice. Featured machines may include additional equipment. See your Caterpillar dealer for available options.

CAT, CATERPILLAR, SAFETY.CAT.COM, their respective logos, "Caterpillar Yellow" and the "Power Edge" trade dress, as well as corporate and product identity used herein, are trademarks of Caterpillar and may not be used without permission.

CATERPILLAR[®]
Courtesy of Machine.Market