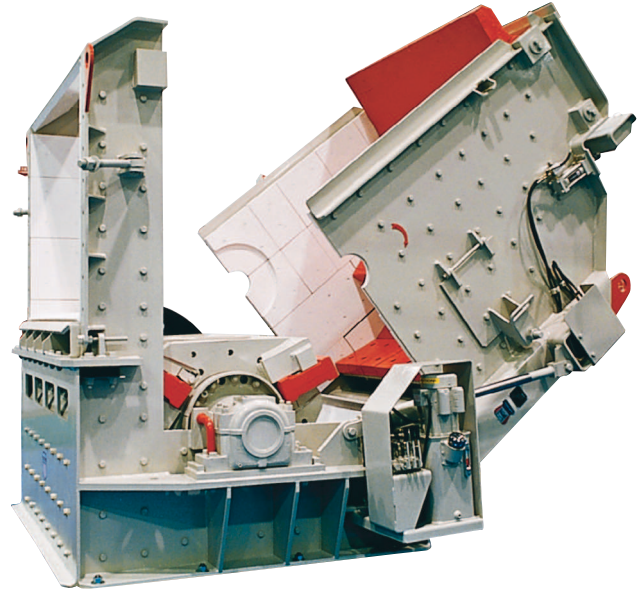




## 50" Family | Horizontal Shaft Impactor



Unit shown with optional hydraulic adjust assist



### Standard Features

- Large feed opening
- Hydraulically raised front section for ease of accessibility
- Simple wrench adjustment of breaker plates
- Three or four bar rotor
- Massive backer bar with replaceable insert bar
- Simple quick impeller bar repositioning and replacement
- 4" (102 mm) high-chrome impeller bars have four wear sides for maximum service life
- Dual locking impact bar wedge system
- Cast manganese "monoblock" primary apron
- 3" (76 mm) thick high-chrome breaker apron liners on secondary apron

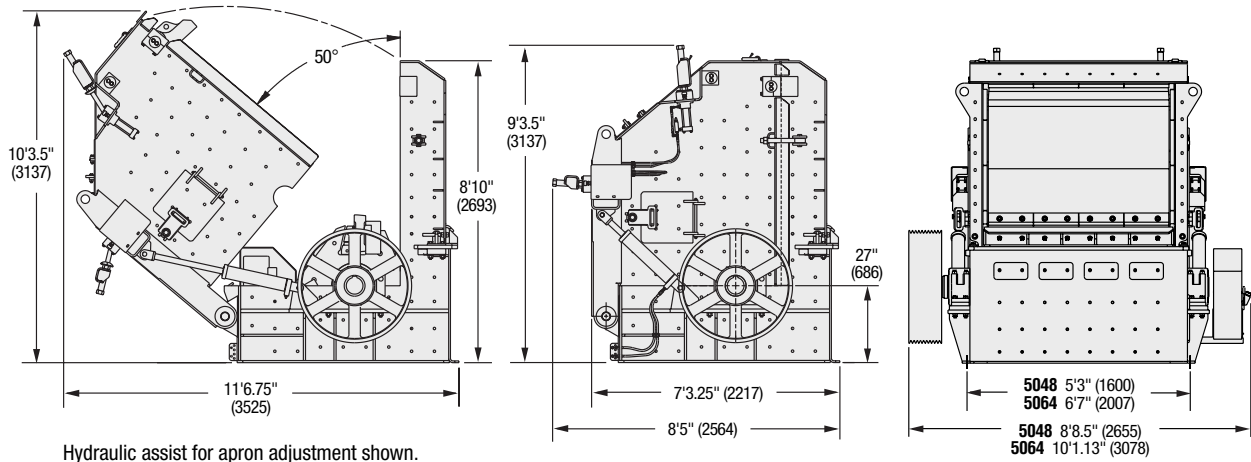
- Interchangeable breaker apron liners
- Interchangeable frame liners
- 45° bolt in feed plate
- Easily replaceable, adjustable stripper bar
- Chrome-nickel-moly-steel tapered shaft
- Balanced, high strength, high inertia open-disc type rotor
- Large spherical roller bearings, hydraulically removable, with taconite-type labyrinth seals
- Inspection doors for all critical areas
- Large, clear discharge opening
- Left hand drive

### Optional Equipment

- Fabricated primary apron with chrome liners for hard rock
- 4" (102 mm) manganese impeller bars
- 5" (127 mm) tool steel impeller bars
- 5" (127 mm) high-chrome impeller bars
- Tool steel breaker apron liners
- V-belt drive
- High inertia sheave, 53" (1346 mm)

- 55° bolt in feed plate
- 40" (1016 mm) crusher sheave for 1200 rpm power; 360-610 crusher rpm depending on motor drive sheave
- 44.5" (1130 mm) crusher sheave for 1800 rpm power; 500-560 crusher rpm depending on motor drive sheave
- 53" (1346 mm) crusher sheave for 1800 rpm power; 420-470 crusher rpm depending on motor drive sheave
- Right hand drive

## 50" Family | Horizontal Shaft Impactor



### Specifications

	5048 HSI	5064 HSI
Maximum Feed Opening	43-1/4" x 48-3/4" (1099 x 1238 mm)	43-1/4" x 64-3/4" (1099 x 1645 mm)
Discharge Opening	65-5/8" x 48-3/4" (1667 x 1238 mm)	65-5/8" x 64-3/4" (1667 x 1645 mm)
Maximum Feed Size	12"-22" (304-560 mm)	12"-22" (304-560 mm)
Tonnage	150-300 (136-272 tonnes)	250-400 (227-363 tonnes)
Horsepower	250-300 (186-224 kW)	300-400 (224-298 kW)
Rotor Speed*	350-610 rpm 4600-8000 fpm (23.3-40.6 m/s)	350-610 rpm 4600-8000 fpm (23.3-40.6 m/s)
Approximate Weights	three bar rotor 33,700 lbs (15,286 kg)	three bar rotor 40,700 lbs (18,462 kg)
	four bar rotor 35,800 lbs (16,239 kg)	four bar rotor 42,800 lbs (19,414 kg)
Bearing Size	6.3" (160 mm)	6.3" (160 mm)
Rotor		
Diameter	50" (1270 mm)	50" (1270 mm)
Width	48" (1219 mm)	64" (1626 mm)
Standard Impact Bars		
Weight	three or four rows 615 lbs (279 kg) each	three or four rows 410 lbs (186 kg) each
Length	48" (1219 mm) each	32" (813 mm) each
Thickness	4" (102 mm)	4" (102 mm)
Cast Primary "Monoblock" Apron Approximate Weight	4600 lbs (2087 kg)	6500 lbs (2949 kg)
Breaker Plate Liners (each)		
Weight	100 lbs (45 kg)	100 lbs (45 kg)
Size	8" x 16" (203 x 406 mm)	8" x 16" (203 x 406 mm)
Thickness	3" (76 mm)	3" (76 mm)
Side Plate Liners		
Weight Range	34 - 106 lbs (15.4 - 48.1 kg)	34 - 106 lbs (15.4 - 48.1 kg)
Thickness	1-1/2" (38 mm)	1-1/2" (38 mm)

\*For other speeds, consult factory.

Design and specifications subject to change without notice.  
Design features may be covered by patents issued and/or patents applied for.