

# SPECIFICATION

## **B-LIFT 150 PRO**

**(version with A-frame outriggers)**

### **TECHNICAL DATA**

- Telescopic boom (2 elements) (main boom + 1 telescopic extension)
- 380° non continuous turret rotation on bearing turntable
- Fully hydraulic controls with bi-directional levers on the basket
- Fully hydraulic controls at ground level fixed on subframe
- Engine Start/Stop control from basket
- Anti slip aluminium flatbed decking
- Aluminium basket
- 75° Right + 75° Left hydraulic rotating basket
- Automatic basket levelling by hydraulic parallelogram
- Basket load sensing device
- N° 4 hydraulic outriggers with ground pressure sensors
- 230 V AC CE Electric socket in the basket
- Buzzer indicating PTO engaged
- Hour meter
- N° 1 flashing beacon

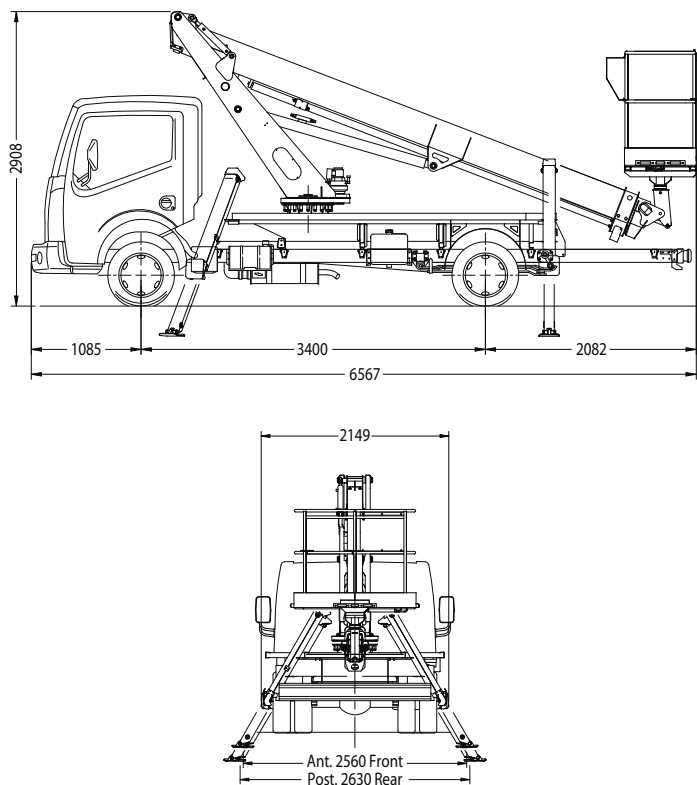
### **PERFORMANCE**

Working height	14,6 m
Platform height	12,6 m
Working outreach	8,9 m
Capacity	200/250 kg
Basket dim.	1400x700x1100 mm
GVW minimum	3,5 t

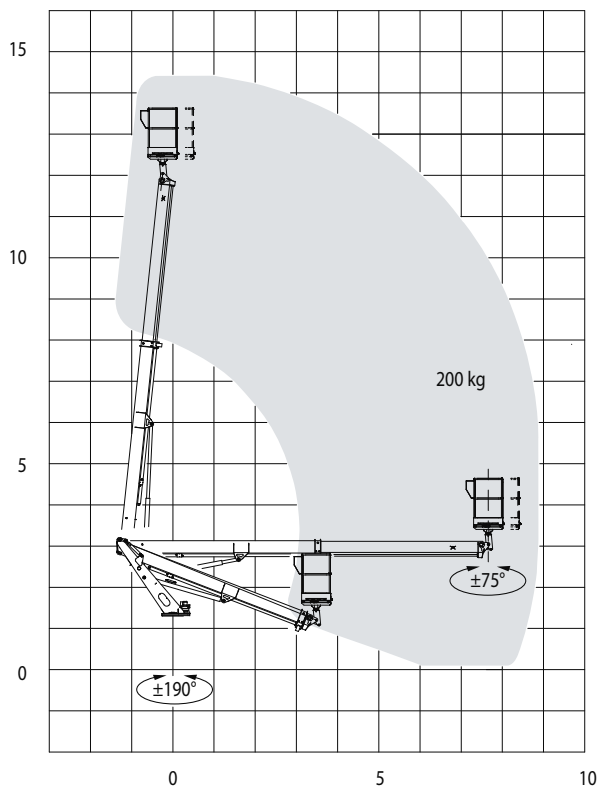
*The KIT EASY version is available for assembly on trucks with a g.v.w. of more than 3,5 ton, outside the CE countries.*



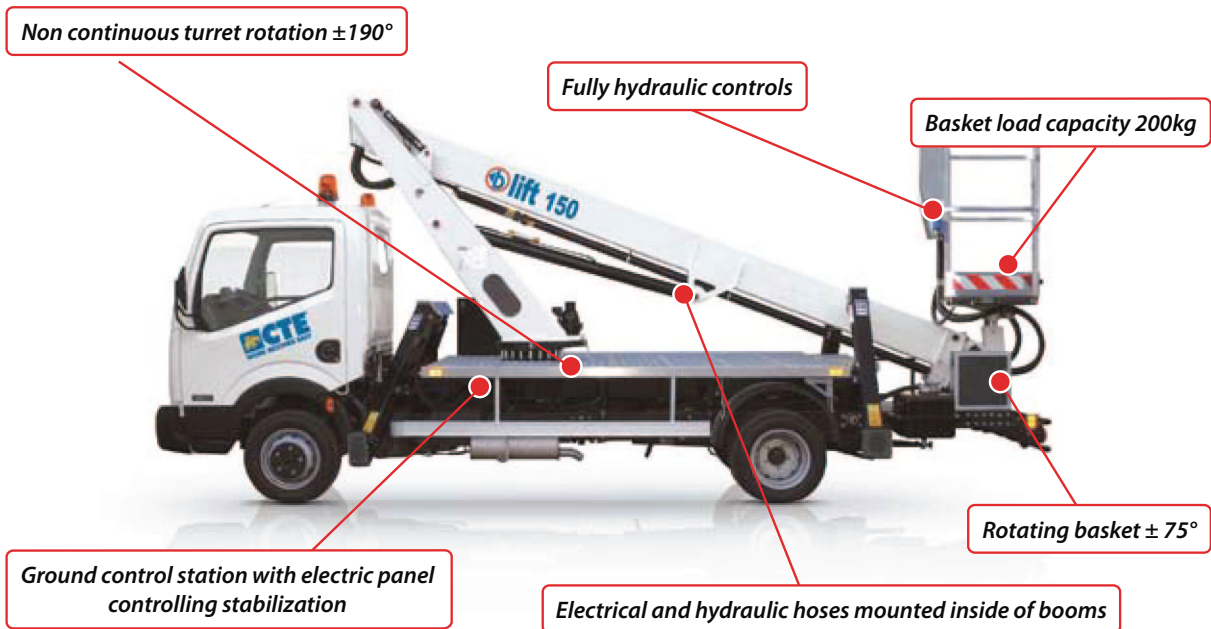
## DIMENSIONS - OUTRIGGER FOOTPRINT



## WORKING ENVELOPE



## KEY POINTS



CTE S.p.A. | [www.ctelift.com](http://www.ctelift.com)

Sales Office Dolo (Ve) - [dolo@ctelift.com](mailto:dolo@ctelift.com)  
 ph. +39 041 51.00.130 - fax +39 041 41.38.44  
 Headquarter Rovereto (Tn) - [info@ctelift.com](mailto:info@ctelift.com)  
 ph. +39 0464 48.50.50 - fax +39 0464 48.50.99  
 Milano Branch S. Giuliano Milanese (Mi) - [milano@ctelift.com](mailto:milano@ctelift.com)  
 ph. +39 02 98.81.100 - fax +39 02 98.28.20.96  
 Bertinoro Branch & Factory (FC) - [bertinoro@ctelift.com](mailto:bertinoro@ctelift.com)  
 ph. +39 0543 44.88.30 - fax +39 0543 44.83.43



Courtesy of Crane.Market

Product specifications are subject to change without notice or obligation. Technical features and drawings in this brochure are for illustrative purposes only. B150P00A - ed. 07/09



Branches: Rovereto, Dolo and S. Giuliano Milanese