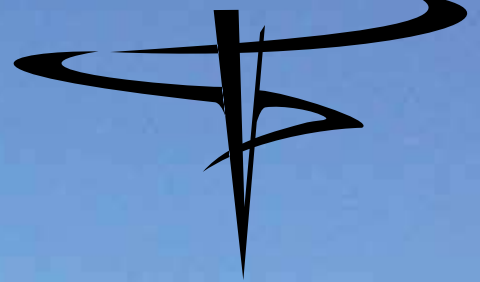


CZM

FOUNDATION EQUIPMENT



EK200LS SOIL MIXING

Courtesy of Crane.Market



SAVANNAH • GEORGIA • USA

THE COMPANY

- CZM has over 40 years of foundation equipment manufacturing experience with a wide range of models for multiple applications: drilled shafts, CFA, driven piles with hydraulic hammers, secant piles, micro piles, and anchoring, among others.
- CZM Foundation Equipment's USA manufacturing facility is located in Savannah, Georgia.
- CZM Foundation Equipment has designed their models with the after sales being priority. Quality and service are the main ingredients to a quality machine, this is one of the direct reasons CZM uses Caterpillar as a base, the Caterpillar bases are not only operator and maintenance friendly but by using Caterpillar it enables the customer access to the large and already nationally established Caterpillar Network.
- CZM is the world's largest manufacturer of CFA drilling rigs, featuring the revolutionary torque mechanism "Bottom Drive CFA", an internationally recognized CZM patent.





EK200LS

EK200LS is in fact a multipurpose rig that has a long stroke capability, with diversified possibilities of feed and extraction forces and speeds.

Different types of rotaries can be mounted, for different applications.

Including: Single and double rotary soil mixing, Jet Grouting and Vibratory hammers.

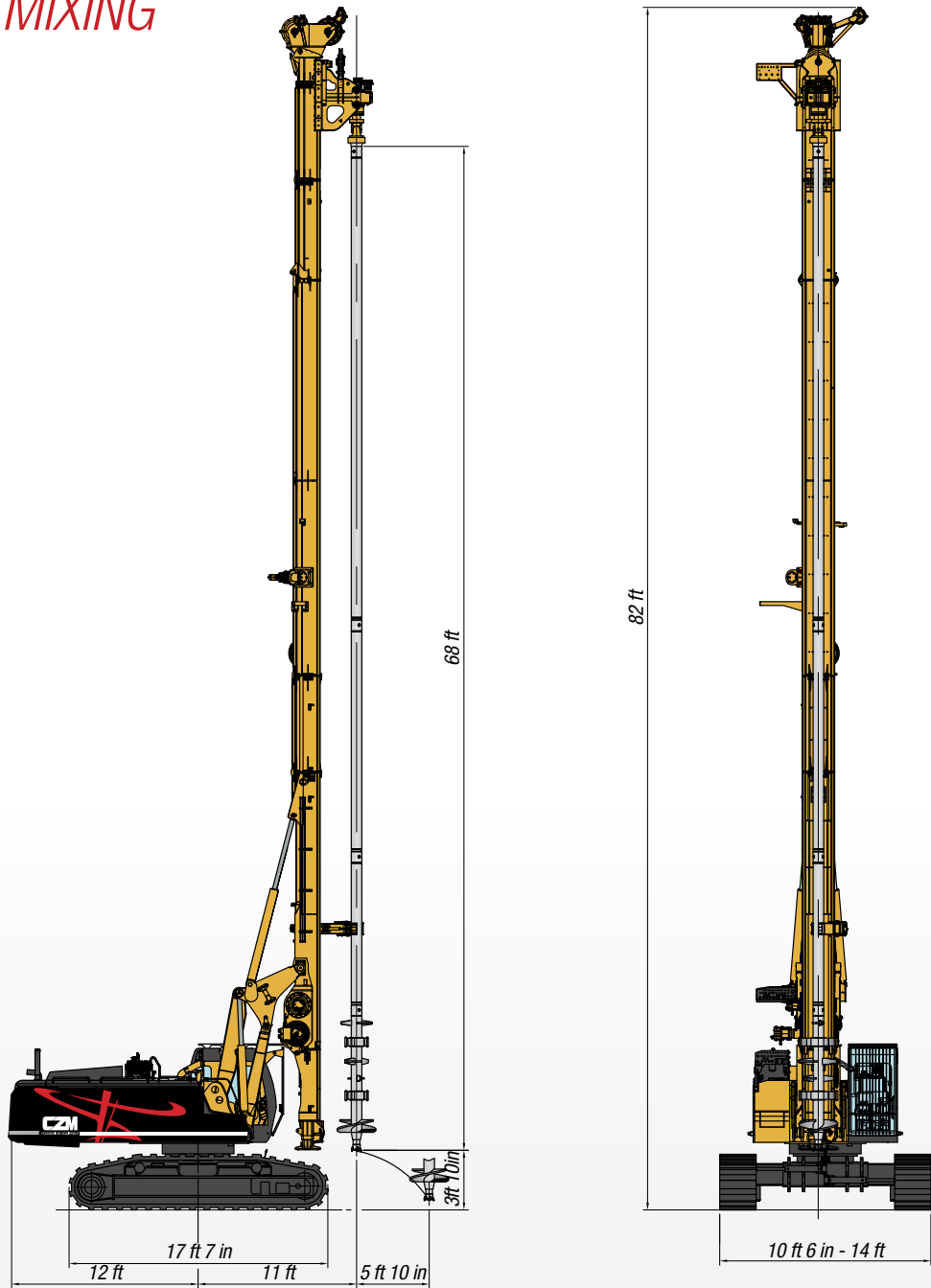
TECHNICAL SPECIFICATIONS

GENERAL DATA

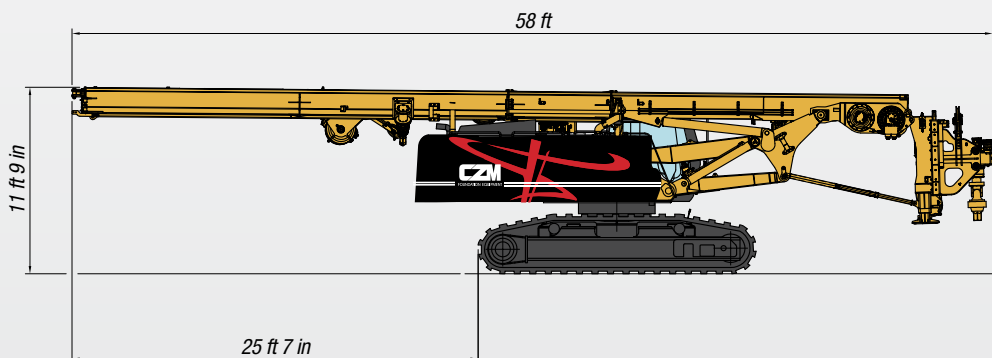
Base	CAT® 336 - Extended crawler	Extraction speed	29 ft/min
Engine	CAT® C9.3 ACERT	Feed / Extraction stroke	65 ft
Net power	300 HP	Mast inclination - Forward	3,5°
Rotary model	Eurodrill RH4300	Mast inclination - Sideways	3,5°
Maximum torque	25.200 ft.lb at 57 RPM	Transport weight	127.000 lb
Maximum RPM	86 RPM at 17.000 ft.lb	Transport width	10 ft 8 inches
Maximum depth	65 ft	Track shoes width	35.5 inches
Feed force	44.000 lb	Auxiliary winch	8.400 lb
Feed speed	39 ft/min	Ground pressure	14 psi
Extraction force	79.000 lb	Main circuit pressure	5.000 psi



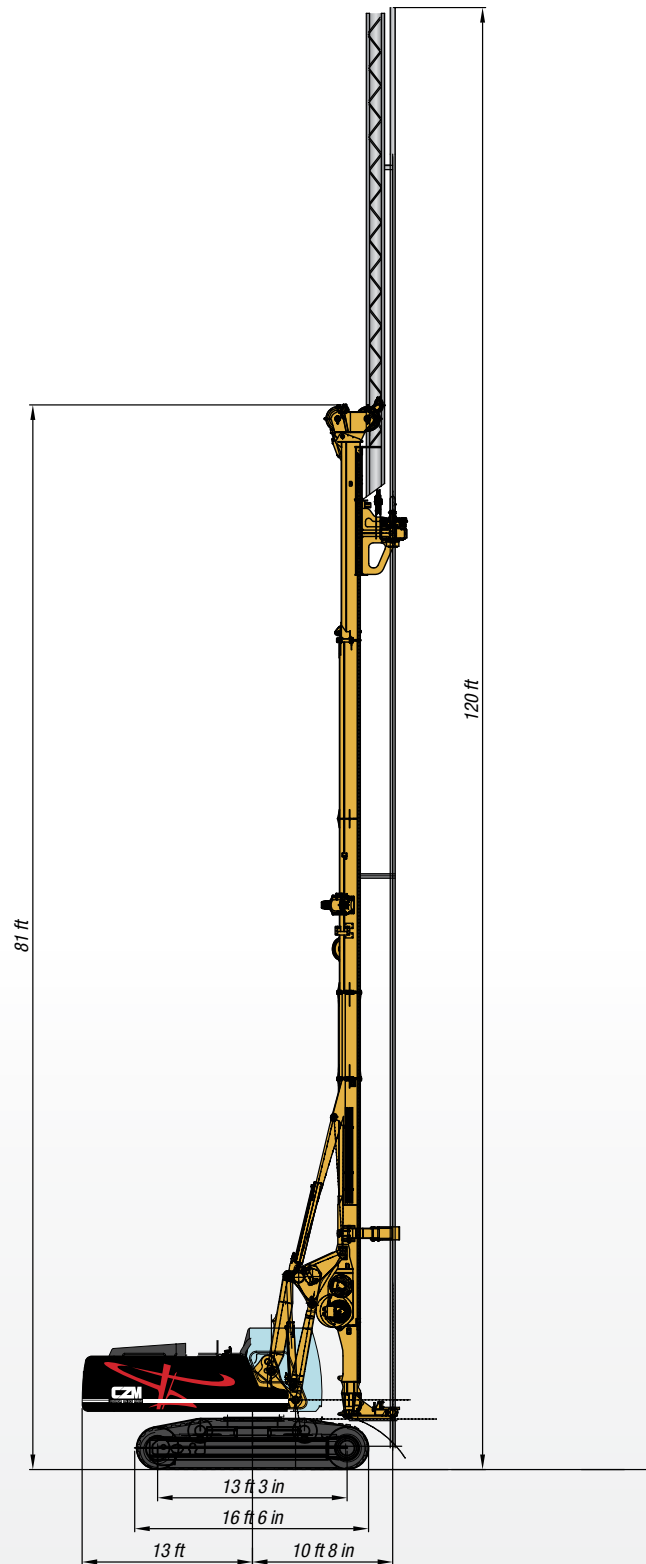
GENERAL DIMENSIONS SOIL MIXING



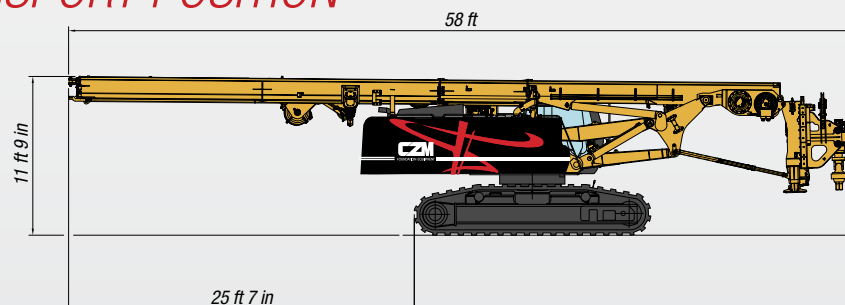
TRANSPORT POSITION



GENERAL DIMENSIONS JET GROUTING



TRANSPORT POSITION







**USA
SAVANNAH**

WWW.CZM-US.COM

145 East Industrial Boulevard
Pembroke • Georgia • 31321
United States • Phone: (912) 200-7654

CZM
FOUNDATION EQUIPMENT

Specifications are subject to change without notice.

Courtesy of Crane.Market