

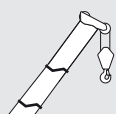
AC 160-5



All Terrain Crane

180UST CAPACITY CLASS

	Page:
Dimensions.....	4
Specifications.....	5
Equipment.....	6
Counterweight.....	7



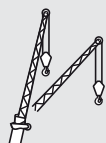
HA

Main boom.....	8
----------------	---



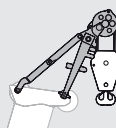
HAV

Folding swing-away jib.....	20
-----------------------------	----



HAV-VA

Variable extension with swing-away jib.....	24
---	----



MS

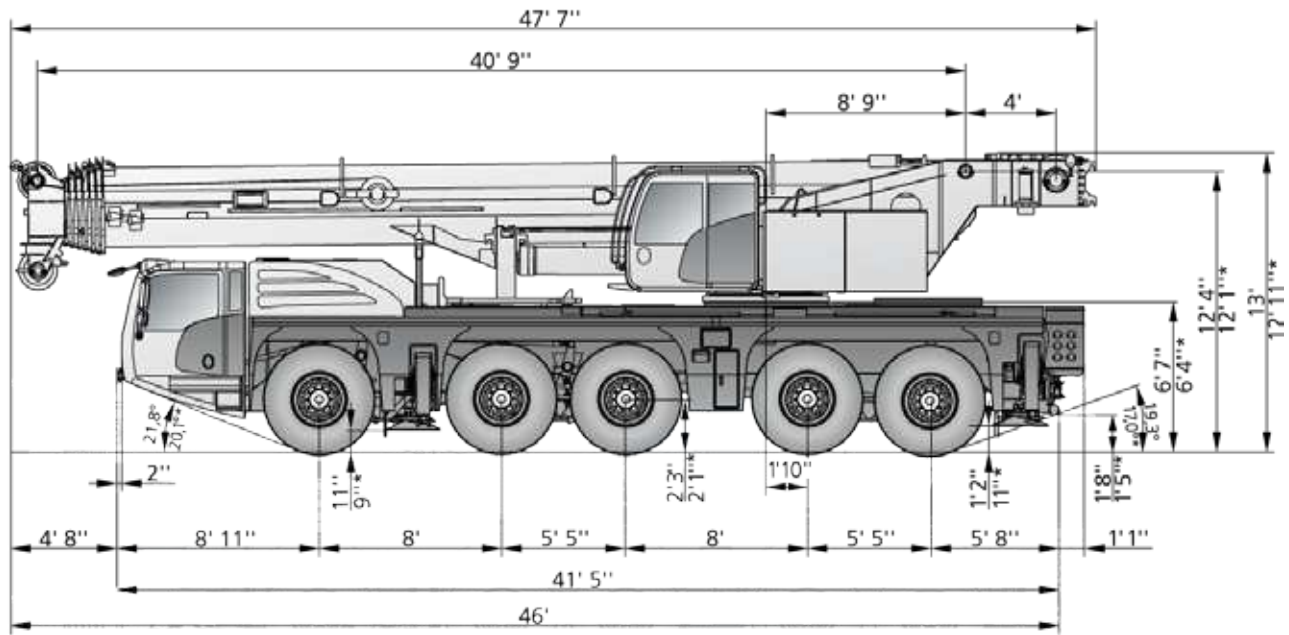
Runner.....	28
-------------	----

Technical description.....	34
----------------------------	----

	Counterweight		Boom telescoping
	Lifting capacities on outriggers - 360°		Boom elevation
	Radius		Working speeds
	Main boom		Max. line pull
	Folding swing-away jib		Rope diameter
	Runner		Rope length
	Max. axle loads		Hook block (capacity-sheaves-rope diameter)
	Mechanism		Number of lines
	Tires		Possible load of hook block
	Hook block		Weight of hook block
	Hoist		Distance head sheave axle – hook ground
	Dolly		Number of sheaves in boom head
	Travel speed		Supporting force
	Gradeability – road		Length of stroke (support cylinders)
	Gradeability – off road		Payload incl. rear storage box
	Slewing		

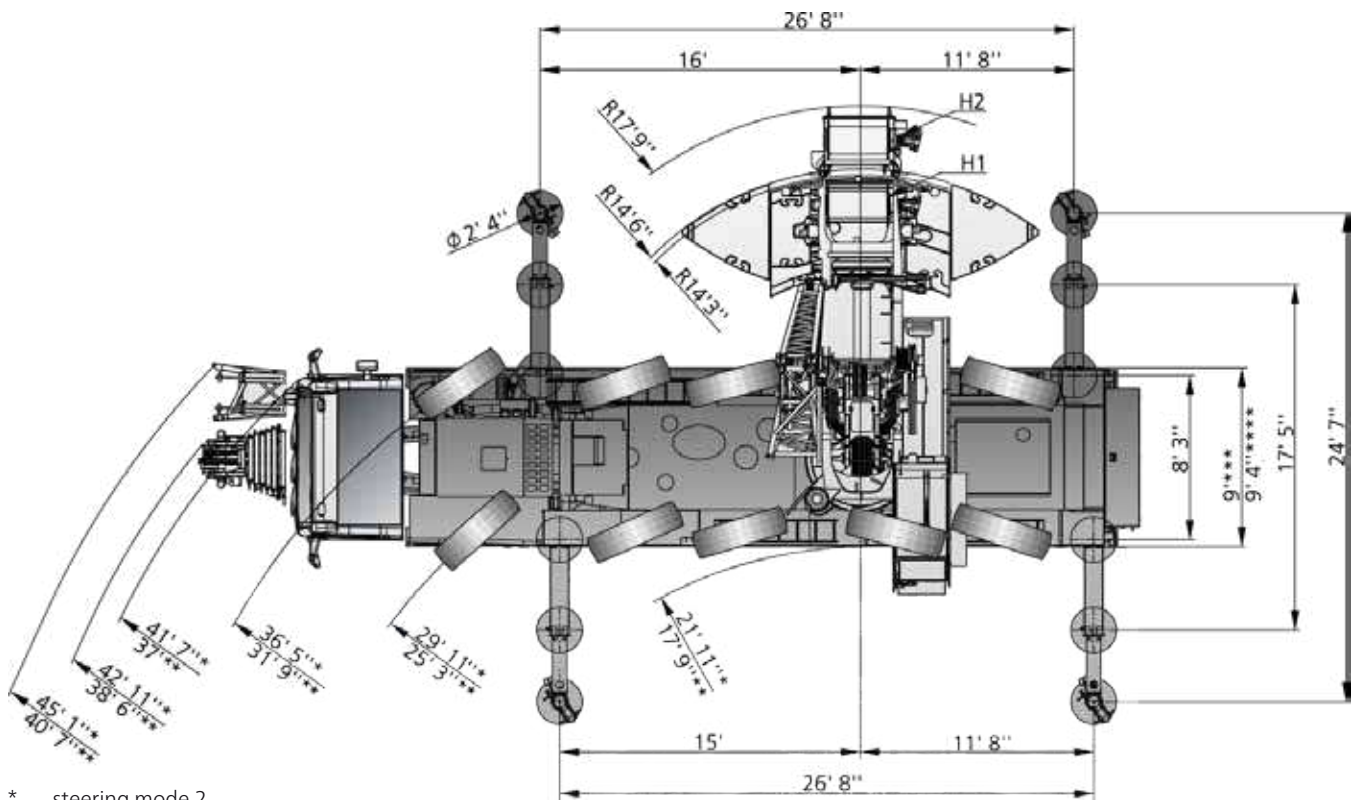
DIMENSIONS

AC 160-5



⊙ 445/95 R25 / 525/80 R25

* ⊙ 385/95 R25



* steering mode 2

** steering mode 3



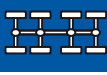







*** ⊙ 385/95 R25 / 445/95 R25







**** ⊙ 525/80 R25

see page 5

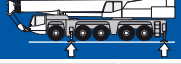


SPECIFICATIONS

AC 160-5




										
	Total									
< 20,000 lb				On request!						X
18,100 lb	83,800 lb	10 x 6 x 10	385/95R25	–	–	8,200 lb	–	–	–	
26,500 lb	132,300 lb	10 x 8 x 10	445/95R25	223.1 ft	32-1-21	13,900 lb	–	770 lb	–	
26,500 lb	132,300 lb	10 x 8 x 10	445/95R25	223.1 ft	80-3-21	8,200 lb	68.9 ft	1430 lb	–	
36,400 lb	180,800 lb	10 x 8 x 10	445/95R25	223.1 ft	80-3-21	56,000 lb	68.9 ft	1985 lb	–	









	1 Highway > 28 mph		4* Off-wall
	2 City < 28 mph		5* Crab steer mode
	3* Minimum turning radius < 3.1 mph		6* All wheel steering





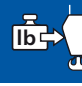

*must be activated

	163,200 lb	183,000 lb	
	19.7 in	23 in	

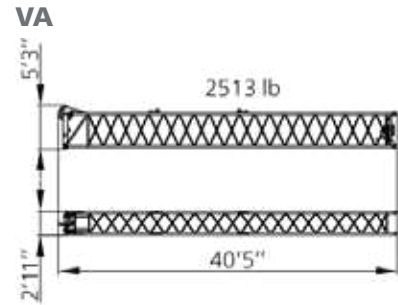
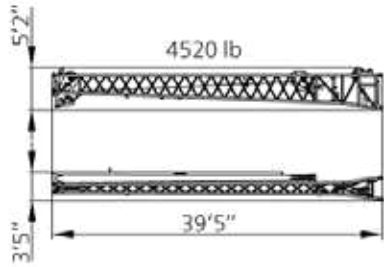
¹⁾ Depending on tire type, size and country specific legislation

	385 / 95 R 25 14.00 R 25	445 / 95 R 25 16.00 R 25	525 / 80 R 25 20.50 R 25
	47 %	40 %	40 %
	64 %	53 %	53 %

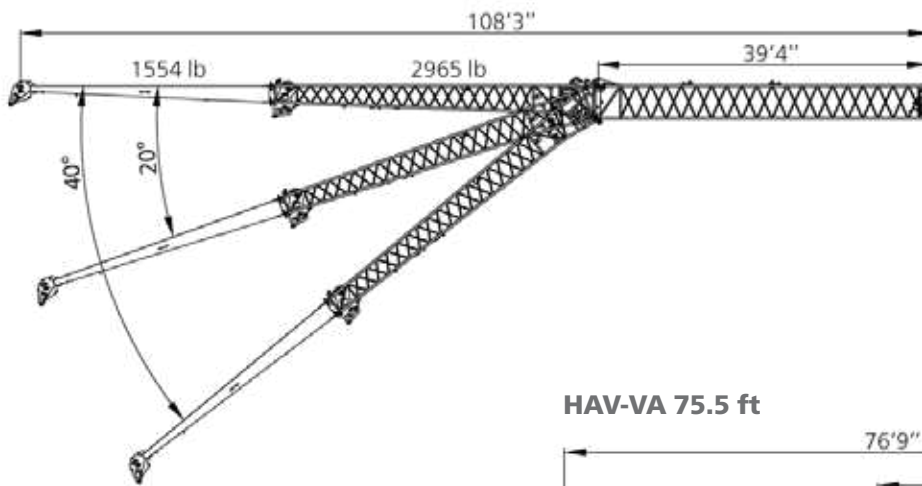
				
1	394 ft/min	22,076 kN	0.83 in	1083 ft
2	394 ft/min	22,076 kN	0.83 in	1083 ft
	1,60 min ⁻¹			
	ca. 516 s (40.7-223.1 ft)			
	ca. 33 s (-1,5° - 82°)			

					
1	21,800	12-0-21	4	770 lb	6.6 ft
2	43,400	32-1-21	4	1320 lb	8.9 ft
3	64,800	32-1-21	4	1320 lb	8.9 ft
4	86,200	80-3-21	4	1870 lb	9.8 ft
5	107,200	80-3-21	4	1870 lb	9.8 ft
6	127,900	80-3-21	4	1870 lb	9.8 ft
7	148,400	80-3-21	4	1870 lb	9.8 ft
8	168,900	125-5-21	4	2480 lb	9.8 ft
9	189,000	125-5-21	4 + S1	2480 lb	9.8 ft
10	209,000	125-5-21	4 + S1	2480 lb	9.8 ft
11	228,700	160-7-21	4 + S1	3310 lb	9.8 ft
12	248,300	160-7-21	4 + S1	3310 lb	9.8 ft

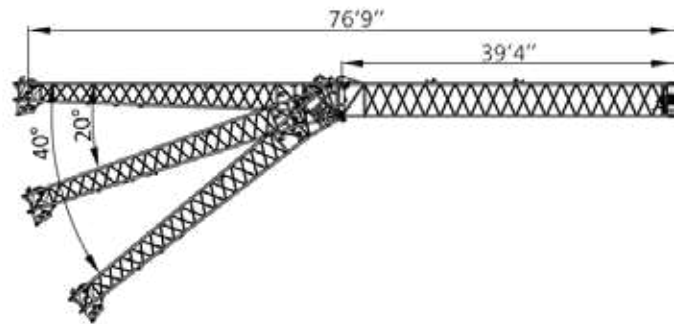
HAV / HAV-VA



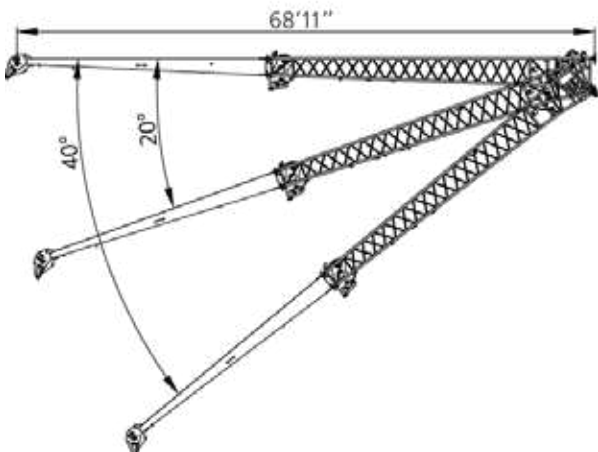
HAV-VA 108.3 ft



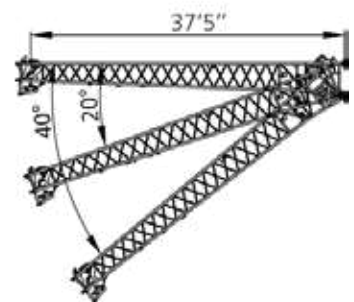
HAV-VA 75.5 ft



HAV 68.9 ft



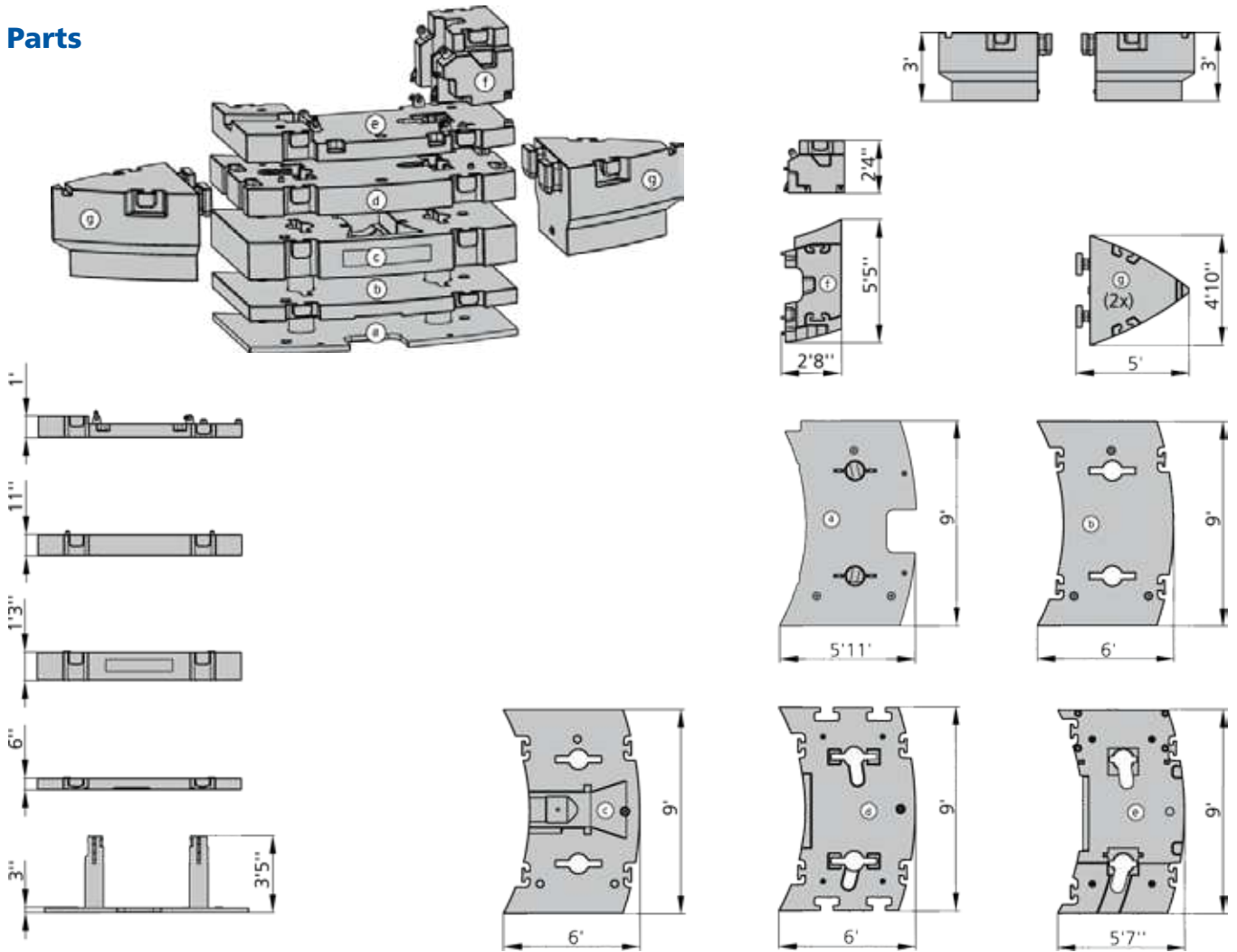
HAV 36.1 ft



COUNTERWEIGHT

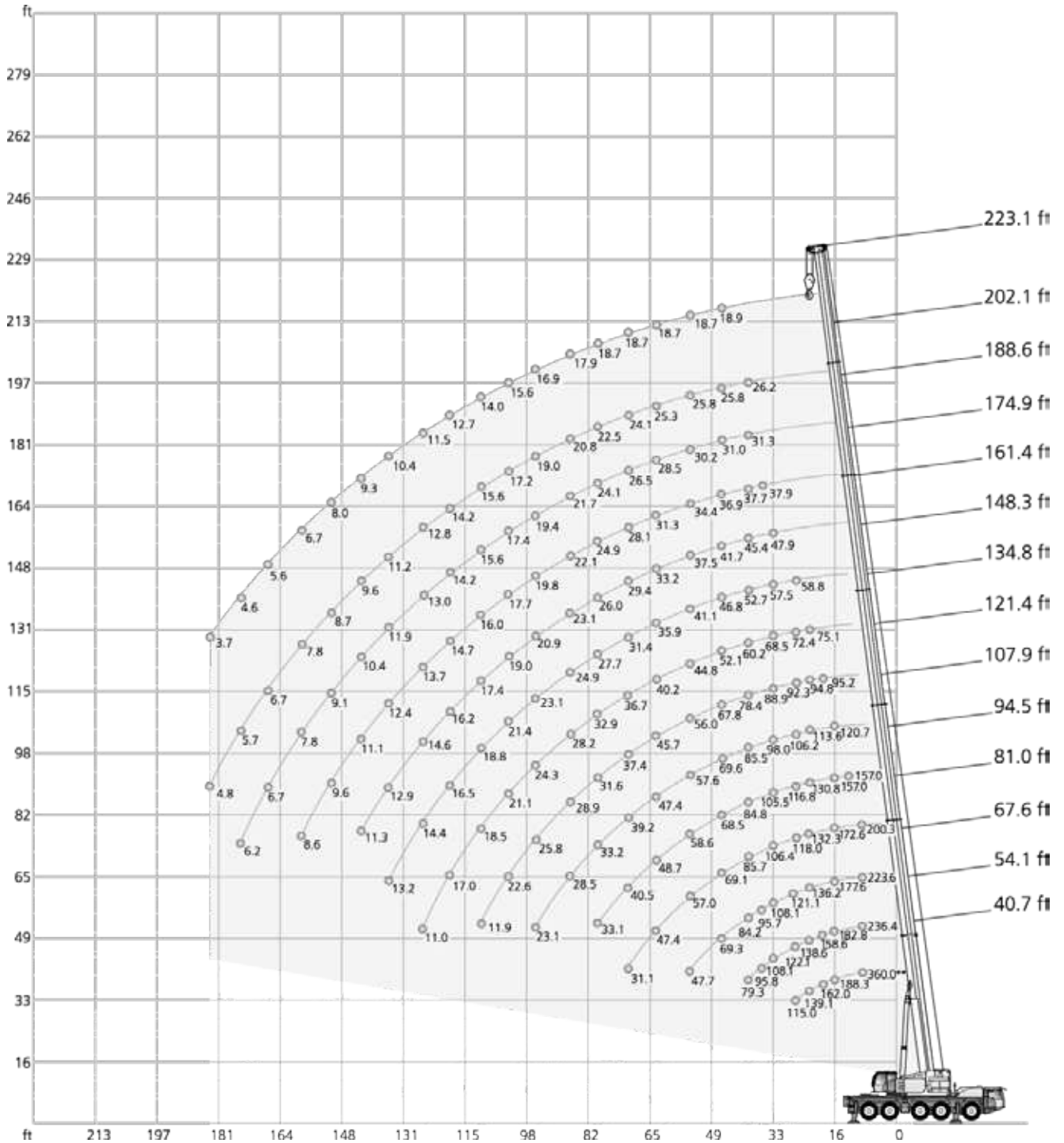
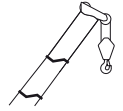
AC 160-5

Parts



Configurations

	(a) 5,700 lb	(b) 9,500 lb	(c) 21,400 lb	(d) 15,900 lb	(e) 11,250 lb	(f) 8,200 lb	(g) 14,800 lb	(h) 14,800 lb
0 lb								
5,700 lb	X							
8,200 lb						X		
13,900 lb	X					X		
15,200 lb	X	X						
19,400 lb					X	X		
23,400 lb	X	X				X		
25,100 lb	X				X	X		
34,600 lb	X	X			X	X		
36,600 lb	X	X	X					
44,800 lb	X	X	X			X		
52,500 lb	X	X	X	X				
56,000 lb	X	X	X		X	X		
60,600 lb	X	X	X	X		X		
63,700 lb	X	X	X	X	X			
71,900 lb	X	X	X	X	X	X		
82,000 lb	X	X	X	X			X	X
90,200 lb	X	X	X	X		X	X	X
93,300 lb	X	X	X	X	X		X	X
101,400 lb	X	X	X	X	X	X	X	X



** Capacity class

101,400 lb		26.70 ft x 24.60 ft										360°				85%		
		(ft)																
		40.7*	40.7	54.1	67.6	81.0	94.5	107.9	121.4	134.8	148.3	161.4	174.9	188.6	202.1	223.1		
ft		1,000 lb															ft	
10	360.0**	-	-	-	-	-	-	-	-	-	-	-	-	-	-	-	-	10
10	243.0	243.0	236.4	223.6	200.3	-	-	-	-	-	-	-	-	-	-	-	-	10
12	222.1	222.0	215.4	207.8	196.5	157.0	-	-	-	-	-	-	-	-	-	-	-	12
14	204.1	202.7	197.8	192.5	184.0	157.0	-	-	-	-	-	-	-	-	-	-	-	14
16	188.3	185.4	182.8	177.6	172.6	157.0	120.7	-	-	-	-	-	-	-	-	-	-	16
18	174.8	171.3	170.4	165.5	161.2	151.9	120.4	-	-	-	-	-	-	-	-	-	-	18
20	162.0	158.1	158.6	154.2	150.0	145.5	119.9	95.2	-	-	-	-	-	-	-	-	-	20
24	139.1	137.0	138.6	136.2	132.3	130.8	113.6	94.8	75.1	-	-	-	-	-	-	-	-	24
28	115.0	115.0	122.1	121.7	118.0	116.8	106.2	92.3	72.4	58.8	-	-	-	-	-	-	-	28
32	-	-	108.1	108.1	106.4	105.5	98.0	88.9	68.5	57.5	47.9	-	-	-	-	-	-	32
36	-	-	95.8	95.7	95.0	95.0	92.0	83.8	64.4	55.3	46.7	37.9	-	-	-	-	-	36
40	-	-	79.3	84.2	85.7	84.8	85.5	78.4	60.2	52.7	45.4	37.7	31.3	26.2	-	-	-	40
48	-	-	-	69.3	69.1	68.5	69.6	67.8	52.1	46.8	41.7	36.9	31.0	25.8	18.9	-	-	48
56	-	-	-	47.7	57.0	58.6	57.6	56.0	44.8	41.1	37.5	34.4	30.2	25.8	18.7	-	-	56
64	-	-	-	-	47.4	48.7	47.4	45.7	40.2	35.9	33.2	31.3	28.5	25.3	18.7	-	-	64
72	-	-	-	-	31.1	40.5	39.2	37.4	36.7	31.4	29.4	28.1	26.5	24.1	18.7	-	-	72
80	-	-	-	-	-	33.1	33.2	31.6	32.9	27.7	26.0	24.9	24.1	22.5	18.7	-	-	80
88	-	-	-	-	-	-	28.5	28.9	28.2	24.9	23.1	22.1	21.7	20.8	17.9	-	-	88
96	-	-	-	-	-	-	23.1	25.8	24.3	23.1	20.9	19.8	19.4	19.0	16.9	-	-	96
104	-	-	-	-	-	-	-	22.6	21.1	21.4	19.0	17.7	17.4	17.2	15.6	-	-	104
112	-	-	-	-	-	-	-	11.9	18.5	18.8	17.4	16.0	15.6	15.6	14.0	-	-	112
120	-	-	-	-	-	-	-	-	17.0	16.5	16.2	14.7	14.2	14.2	12.7	-	-	120
128	-	-	-	-	-	-	-	-	11.0	14.4	14.6	13.7	13.0	12.8	11.5	-	-	128
136	-	-	-	-	-	-	-	-	-	13.2	12.9	12.4	11.9	11.2	10.4	-	-	136
144	-	-	-	-	-	-	-	-	-	-	11.3	11.1	10.4	9.6	9.3	-	-	144
152	-	-	-	-	-	-	-	-	-	-	-	9.6	9.1	8.7	8.0	-	-	152
160	-	-	-	-	-	-	-	-	-	-	-	8.6	7.8	7.8	6.7	-	-	160
168	-	-	-	-	-	-	-	-	-	-	-	-	6.7	6.7	5.6	-	-	168
176	-	-	-	-	-	-	-	-	-	-	-	-	6.2	5.7	4.6	-	-	176
184	-	-	-	-	-	-	-	-	-	-	-	-	-	4.8	3.7	-	-	184
1)		45.0	45.0	32.8	25.6	20.3	16.5	13.2	10.6	7.9	6.0	4.9	2.9	-	-	-	-	1)

1) Capacities with horizontal boom

* over rear

** Capacity class

71,900 lb		26.70 ft x 24.60 ft										360° / Max.*				85%
ft	360° 40.7ft	Max. 40.7ft	360° 54.1ft	Max. 54.1ft	360° 67.6ft	Max. 67.6ft	360° 81.0ft	Max. 81.0ft	360° 94.5ft	Max. 94.5ft	360° 107.9ft	Max. 107.9ft	360° 121.4ft	Max. 121.4ft	ft	
1,000 lb																
10	242.9	243.0	236.4	236.4	223.6	223.6	200.3	200.3	-	-	-	-	-	-	10	
12	220.6	222.0	215.4	215.4	207.8	207.8	196.5	196.5	157.0	157.0	-	-	-	-	12	
14	200.9	202.7	197.8	197.8	192.5	192.5	184.0	184.0	157.0	157.0	-	-	-	-	14	
16	183.6	185.4	182.8	182.8	177.6	177.6	172.6	172.6	157.0	157.0	120.7	120.7	-	-	16	
18	169.5	171.3	169.9	170.4	165.5	165.5	161.2	161.2	151.9	151.9	120.4	120.4	-	-	18	
20	156.4	158.1	157.7	158.6	154.2	154.2	150.0	150.0	145.5	145.5	119.9	119.9	95.2	95.2	20	
24	134.9	136.3	136.4	137.9	135.4	135.8	132.3	132.3	130.8	130.8	113.6	113.6	94.8	94.8	24	
28	113.3	114.1	116.8	117.5	117.0	117.4	116.3	116.3	116.1	116.1	106.2	106.2	92.3	92.3	28	
32	-	-	101.1	101.1	100.4	100.4	101.9	101.9	100.9	100.9	98.0	98.0	88.9	88.9	32	
36	-	-	88.8	88.9	87.6	87.8	89.3	89.3	88.1	88.3	88.7	88.7	82.1	83.6	36	
40	-	-	69.6	72.3	78.1	78.5	77.6	78.1	78.8	79.2	78.5	78.7	74.1	77.4	40	
48	-	-	-	-	57.9	63.2	59.8	62.8	59.6	64.3	58.3	63.4	56.2	62.1	48	
56	-	-	-	-	37.5	45.1	47.1	53.4	46.4	53.4	45.2	52.3	43.3	50.8	56	
64	-	-	-	-	-	-	38.0	44.8	37.3	44.2	36.2	43.1	36.9	41.5	64	
72	-	-	-	-	-	-	28.7	30.1	30.8	36.8	31.6	35.7	31.0	34.2	72	
80	-	-	-	-	-	-	-	-	26.4	30.4	27.1	30.1	26.0	31.1	80	
88	-	-	-	-	-	-	-	-	-	-	23.3	26.8	22.1	27.1	88	
96	-	-	-	-	-	-	-	-	-	-	20.1	23.1	19.2	23.5	96	
104	-	-	-	-	-	-	-	-	-	-	-	-	17.8	20.6	104	
112	-	-	-	-	-	-	-	-	-	-	-	-	11.9	11.9	112	
1)	45.0	45.0	32.8	32.8	25.6	25.6	20.3	20.3	16.5	16.5	13.2	13.2	10.6	10.6	1)	

ft	360° 134.8ft	Max. 134.8ft	360° 148.3ft	Max. 148.3ft	360° 161.4ft	Max. 161.4ft	360° 174.9ft	Max. 174.9ft	360° 188.6ft	Max. 188.6ft	360° 202.1ft	Max. 202.1ft	360° 223.1ft	Max. 223.1ft	ft
1,000 lb															
24	75.1	75.1	-	-	-	-	-	-	-	-	-	-	-	-	24
28	72.4	72.4	58.8	58.8	-	-	-	-	-	-	-	-	-	-	28
32	68.5	68.6	57.5	57.5	47.9	47.9	-	-	-	-	-	-	-	-	32
36	64.4	64.4	55.3	55.3	46.7	46.7	37.9	37.9	-	-	-	-	-	-	36
40	60.2	60.2	52.7	52.7	45.4	45.4	37.7	37.7	31.3	31.3	26.2	26.2	-	-	40
48	51.7	52.1	46.8	46.8	41.7	41.7	36.9	36.9	31.0	31.0	25.8	25.8	18.9	18.9	48
56	43.6	44.8	40.4	41.1	37.5	37.5	34.4	34.4	30.2	30.2	25.8	25.8	18.7	18.7	56
64	36.0	40.2	33.6	35.9	32.4	33.2	31.3	31.3	28.5	28.5	25.3	25.3	18.7	18.7	64
72	29.2	35.4	29.4	31.4	27.9	29.4	27.0	28.1	26.5	26.5	24.1	24.1	18.7	18.7	72
80	25.0	29.9	25.1	27.5	23.5	26.0	23.6	24.9	22.9	24.1	22.4	22.5	18.7	18.7	80
88	22.5	25.6	21.1	24.9	21.3	23.0	20.7	22.1	20.3	21.7	19.7	20.8	17.9	17.9	88
96	19.6	22.1	18.8	22.5	18.2	20.6	18.0	19.7	17.3	19.4	16.6	19.0	15.9	16.9	96
104	16.9	19.6	16.8	19.7	15.9	18.5	15.7	17.6	14.4	17.4	14.6	17.2	13.3	15.6	104
112	14.7	18.4	14.4	17.1	14.2	17.3	13.3	16.0	12.7	15.6	12.2	15.5	11.1	14.0	112
120	13.5	16.5	12.6	15.0	12.2	15.2	11.9	14.7	11.5	14.2	10.2	13.7	9.1	12.7	120
128	11.0	11.0	11.3	14.0	10.6	13.3	10.6	13.1	9.7	12.6	8.6	11.8	7.5	11.5	128
136	-	-	10.0	13.0	9.1	11.8	9.1	11.4	8.2	10.9	7.1	10.4	6.0	10.1	136
144	-	-	-	-	8.4	10.8	7.8	10.0	6.9	9.5	5.8	9.5	4.7	8.4	144
152	-	-	-	-	-	-	6.7	9.2	5.8	8.2	4.7	8.2	3.6	7.3	152
160	-	-	-	-	-	-	5.7	8.3	4.8	7.2	3.6	7.2	-	6.1	160
168	-	-	-	-	-	-	-	-	4.0	6.6	-	6.1	-	5.0	168
176	-	-	-	-	-	-	-	-	3.2	6.2	-	5.2	-	4.1	176
184	-	-	-	-	-	-	-	-	-	-	-	4.4	-	3.4	184
1)	7.9	7.9	6.0	6.0	4.9	4.9	2.9	2.9	-	-	-	-	-	-	1)

1) Capacities with horizontal boom

* Max. values are valid only for specific superstructure positions

56,000 lb		26.70 ft x 24.60 ft										360° / Max.*				85%
ft	360° 40.7ft	Max. 40.7ft	360° 54.1ft	Max. 54.1ft	360° 67.6ft	Max. 67.6ft	360° 81.0ft	Max. 81.0ft	360° 94.5ft	Max. 94.5ft	360° 107.9ft	Max. 107.9ft	360° 121.4ft	Max. 121.4ft	ft	
1,000 lb																
10	242.8	243.0	236.4	236.4	223.6	223.6	200.3	200.3	-	-	-	-	-	-	10	
12	219.5	222.0	215.4	215.4	207.8	207.8	196.5	196.5	157.0	157.0	-	-	-	-	12	
14	199.8	202.7	197.8	197.8	192.5	192.5	184.0	184.0	157.0	157.0	-	-	-	-	14	
16	182.7	185.4	182.8	182.8	177.6	177.7	172.6	172.6	157.0	157.0	120.7	120.7	-	-	16	
18	168.7	171.3	169.5	170.4	165.5	165.5	161.2	161.2	151.9	151.9	120.4	120.4	-	-	18	
20	155.4	157.8	156.5	158.4	154.0	154.2	150.0	150.0	145.5	145.5	119.9	119.9	95.2	95.2	20	
24	130.3	132.3	132.2	134.0	132.5	133.9	130.8	130.9	130.3	130.3	113.6	113.6	94.8	94.8	24	
28	110.1	110.4	111.7	111.9	111.8	111.9	113.4	113.4	112.0	112.4	102.9	106.2	92.3	92.3	28	
32	-	-	96.6	96.6	96.3	96.3	97.0	97.0	93.9	95.9	91.8	96.0	84.4	88.9	32	
36	-	-	80.9	84.7	81.8	85.2	81.4	85.0	81.8	85.0	79.4	85.7	73.5	81.6	36	
40	-	-	58.5	68.9	67.0	74.6	69.9	74.4	69.0	75.9	67.7	75.0	63.1	73.5	40	
48	-	-	-	-	51.5	60.1	51.7	60.9	51.1	61.2	49.7	60.2	47.8	58.9	48	
56	-	-	-	-	30.5	43.7	40.2	51.1	39.5	50.7	38.7	49.7	39.6	48.4	56	
64	-	-	-	-	-	-	32.3	43.3	31.6	42.7	32.9	41.8	31.8	40.5	64	
72	-	-	-	-	-	-	26.6	29.7	27.6	36.7	27.0	35.6	25.9	34.2	72	
80	-	-	-	-	-	-	-	-	23.5	30.4	22.8	30.1	22.9	31.1	80	
88	-	-	-	-	-	-	-	-	-	-	19.3	26.8	19.9	27.1	88	
96	-	-	-	-	-	-	-	-	-	-	17.4	23.1	16.9	23.5	96	
104	-	-	-	-	-	-	-	-	-	-	-	-	14.6	20.6	104	
112	-	-	-	-	-	-	-	-	-	-	-	-	11.9	11.9	112	
1)	45.0	45.0	32.8	32.8	25.6	25.6	20.3	20.3	16.5	16.5	13.2	13.2	10.6	10.6	1)	

ft	360° 134.8ft	Max. 134.8ft	360° 148.3ft	Max. 148.3ft	360° 161.4ft	Max. 161.4ft	360° 174.9ft	Max. 174.9ft	360° 188.6ft	Max. 188.6ft	360° 202.1ft	Max. 202.1ft	360° 223.1ft	Max. 223.1ft	ft
1,000 lb															
24	75.1	75.1	-	-	-	-	-	-	-	-	-	-	-	-	24
28	72.4	72.4	58.8	58.8	-	-	-	-	-	-	-	-	-	-	28
32	68.5	68.6	57.5	57.5	47.9	47.9	-	-	-	-	-	-	-	-	32
36	64.4	64.4	55.3	55.3	46.7	46.7	37.9	37.9	-	-	-	-	-	-	36
40	59.7	60.2	52.5	52.7	45.4	45.4	37.7	37.7	31.3	31.3	26.2	26.2	-	-	40
48	48.0	52.1	44.3	46.8	41.0	41.7	36.9	36.9	31.0	31.0	25.8	25.8	18.9	18.9	48
56	38.0	44.8	35.8	41.1	35.2	37.5	33.1	34.4	30.2	30.2	25.8	25.8	18.7	18.7	56
64	30.3	40.2	30.6	35.9	28.8	33.2	28.6	31.3	26.9	28.5	25.3	25.3	18.7	18.7	64
72	26.5	35.0	25.2	31.4	25.2	29.4	25.0	28.1	24.3	26.5	22.8	24.1	18.7	18.7	72
80	22.2	29.9	22.2	27.3	21.0	25.9	21.3	24.9	20.1	24.1	19.7	22.5	17.7	18.7	80
88	18.9	25.6	18.8	24.9	18.5	23.0	17.8	22.1	17.5	21.7	16.2	20.8	14.4	17.9	88
96	16.7	22.1	16.1	22.5	15.6	20.6	15.4	19.4	14.8	19.4	13.5	19.0	11.8	16.9	96
104	14.4	19.6	13.9	19.7	13.1	18.5	13.3	17.6	12.2	17.0	11.1	17.2	9.5	15.6	104
112	12.7	18.4	11.8	17.1	11.8	17.3	11.1	16.0	10.3	15.6	8.9	15.1	7.6	14.0	112
120	10.9	16.5	10.0	15.0	10.3	15.2	9.4	14.7	8.4	14.2	7.3	13.4	6.1	12.3	120
128	9.4	11.0	8.7	14.0	8.8	13.3	7.9	13.1	6.9	12.6	5.8	11.7	4.7	10.6	128
136	-	-	7.4	13.0	7.5	11.6	6.6	11.4	5.6	10.9	4.5	10.4	3.4	9.1	136
144	-	-	-	-	6.4	10.8	5.4	10.0	4.5	9.5	3.4	9.5	-	7.8	144
152	-	-	-	-	-	-	4.5	9.2	3.4	8.2	-	8.2	-	6.5	152
160	-	-	-	-	-	-	3.6	8.3	-	7.2	-	6.7	-	5.6	160
168	-	-	-	-	-	-	-	-	-	6.5	-	5.7	-	4.6	168
176	-	-	-	-	-	-	-	-	-	5.8	-	4.8	-	3.7	176
184	-	-	-	-	-	-	-	-	-	-	-	3.9	-	2.8	184
1)	7.9	7.9	6.0	6.0	4.9	4.9	2.9	2.9	-	-	-	-	-	-	1)

1) Capacities with horizontal boom

* Max. values are valid only for specific superstructure positions

13,900 lb		26.70 ft x 24.60 ft								360° / Max.*				85%	
ft	360° 40.7ft	Max. 40.7ft	360° 54.1ft	Max. 54.1ft	360° 67.6ft	Max. 67.6ft	360° 81.0ft	Max. 81.0ft	360° 94.5ft	Max. 94.5ft	360° 107.9ft	Max. 107.9ft	360° 121.4ft	Max. 121.4ft	ft
1,000 lb															
10	240.5	243.0	236.4	236.4	223.6	223.6	200.3	200.3	-	-	-	-	-	-	10
12	216.3	222.0	215.4	215.4	207.8	207.8	196.5	196.5	157.0	157.0	-	-	-	-	12
14	197.0	202.7	197.6	197.8	192.5	192.5	184.0	184.0	157.0	157.0	-	-	-	-	14
16	176.6	182.9	178.2	182.8	177.1	177.7	164.8	172.6	150.5	157.0	120.7	120.7	-	-	16
18	157.8	162.1	159.3	163.5	153.0	160.9	143.3	158.1	130.5	151.9	113.8	120.4	-	-	18
20	139.3	142.1	140.4	143.8	132.0	143.8	120.7	144.4	115.2	144.3	104.9	119.9	93.5	95.2	20
24	99.0	114.6	102.7	117.6	97.9	116.9	95.1	118.0	88.3	116.2	81.0	110.4	74.8	94.8	24
28	69.4	95.3	74.9	98.0	78.0	98.6	75.3	97.8	70.5	98.5	64.8	96.1	63.1	85.3	28
32	-	-	57.9	83.4	60.3	84.0	60.4	84.4	57.5	83.8	56.5	77.8	52.8	68.7	32
36	-	-	46.7	71.8	48.9	72.3	49.4	73.9	48.4	71.1	48.6	64.9	44.8	58.5	36
40	-	-	28.4	54.9	40.7	64.2	41.0	64.0	41.8	59.9	40.9	54.5	40.0	52.6	40
48	-	-	-	-	29.6	49.5	30.5	49.1	30.2	45.9	30.9	43.3	30.3	41.4	48
56	-	-	-	-	22.3	30.1	23.1	36.5	23.5	35.4	24.0	36.4	23.5	33.0	56
64	-	-	-	-	-	-	17.9	27.8	18.6	29.2	18.6	28.7	18.6	27.9	64
72	-	-	-	-	-	-	14.2	23.7	14.8	23.3	14.8	23.2	14.6	23.3	72
80	-	-	-	-	-	-	-	-	11.7	19.4	11.7	19.8	11.5	19.3	80
88	-	-	-	-	-	-	-	-	-	9.4	17.1	9.2	16.7	16.7	88
96	-	-	-	-	-	-	-	-	-	7.5	14.5	7.3	14.2	14.2	96
104	-	-	-	-	-	-	-	-	-	-	-	-	5.7	12.1	104
112	-	-	-	-	-	-	-	-	-	-	-	-	4.3	10.5	112
1)	45.0	45.0	29.3	32.8	19.8	25.6	13.7	20.3	9.9	16.5	6.6	13.2	4.2	10.1	1)

ft	360° 134.8ft	Max. 134.8ft	360° 148.3ft	Max. 148.3ft	360° 161.4ft	Max. 161.4ft	360° 174.9ft	Max. 174.9ft	360° 188.6ft	Max. 188.6ft	360° 202.1ft	Max. 202.1ft	360° 223.1ft	Max. 223.1ft	ft
1,000 lb															
24	68.3	75.1	-	-	-	-	-	-	-	-	-	-	-	-	24
28	57.5	72.4	52.0	58.8	-	-	-	-	-	-	-	-	-	-	28
32	48.9	62.7	46.4	56.4	41.7	47.9	-	-	-	-	-	-	-	-	32
36	43.2	54.9	40.4	49.0	37.6	43.9	33.9	37.9	-	-	-	-	-	-	36
40	37.9	48.0	37.0	45.2	34.4	41.1	32.2	37.1	28.9	31.2	25.7	26.2	-	-	40
48	29.6	38.1	28.2	36.2	27.7	34.6	25.7	32.2	23.3	28.8	20.8	25.5	17.8	18.9	48
56	23.2	32.4	21.9	30.5	21.8	29.0	19.9	27.5	17.8	24.9	15.5	22.7	13.2	18.7	56
64	18.1	26.7	17.0	25.7	17.2	24.3	15.4	23.4	13.4	21.4	11.2	19.1	8.9	16.7	64
72	14.2	22.8	13.1	21.9	13.3	20.2	11.8	19.7	10.0	17.7	7.8	15.5	5.8	13.5	72
80	11.1	19.1	10.0	18.5	10.4	17.8	9.1	16.6	7.4	14.6	5.4	12.6	3.5	10.6	80
88	8.8	16.3	7.7	15.6	8.1	15.6	6.9	14.0	5.3	12.2	3.4	10.2	-	8.0	88
96	6.7	14.0	5.9	13.1	6.1	13.2	5.1	11.7	3.6	9.9	-	7.9	-	5.9	96
104	5.2	11.7	4.4	10.8	4.6	11.1	3.7	9.7	-	7.9	-	6.0	-	4.2	104
112	3.9	9.8	-	9.0	3.2	9.4	-	8.1	-	6.3	-	4.6	-	-	112
120	-	8.3	-	7.6	-	7.8	-	6.6	-	5.0	-	3.3	-	-	120
128	-	7.0	-	6.2	-	6.4	-	5.5	-	4.0	-	-	-	-	128
136	-	-	-	5.1	-	5.3	-	4.4	-	2.9	-	-	-	-	136
144	-	-	-	-	-	4.2	-	3.4	-	-	-	-	-	-	144
1)	-	7.7	-	4.9	-	3.3	-	-	-	-	-	-	-	-	1)

1) Capacities with horizontal boom

* Max. values are valid only for specific superstructure positions

8,200 lb		26.70 ft x 24.60 ft										360° / Max.*				85%
ft	360° 40.7ft	Max. 40.7ft	360° 54.1ft	Max. 54.1ft	360° 67.6ft	Max. 67.6ft	360° 81.0ft	Max. 81.0ft	360° 94.5ft	Max. 94.5ft	360° 107.9ft	Max. 107.9ft	360° 121.4ft	Max. 121.4ft	ft	
1,000 lb																
10	239.5	243.0	236.4	236.4	223.6	223.6	200.3	200.3	-	-	-	-	-	-	10	
12	216.2	222.0	215.4	215.4	207.8	207.8	196.5	196.5	157.0	157.0	-	-	-	-	12	
14	195.9	202.7	197.1	197.8	192.5	192.5	182.4	184.0	157.0	157.0	-	-	-	-	14	
16	174.0	180.3	176.0	180.8	170.8	177.7	156.1	172.6	140.8	157.0	120.7	120.7	-	-	16	
18	155.0	158.8	151.8	160.6	143.1	159.5	133.2	156.7	119.1	150.6	109.3	120.4	-	-	18	
20	135.7	139.1	130.7	140.8	120.7	141.0	112.7	142.8	105.2	141.4	95.8	119.7	86.2	95.2	20	
24	89.3	112.2	93.4	115.1	91.4	115.9	86.8	115.0	80.5	112.2	73.6	107.8	69.1	92.1	24	
28	62.2	93.2	69.2	96.0	71.0	96.7	68.6	94.1	63.9	95.7	61.7	88.3	57.8	77.1	28	
32	-	-	52.1	81.8	54.6	80.8	54.7	82.2	54.3	77.6	51.7	69.8	48.1	63.1	32	
36	-	-	41.9	68.4	44.1	70.1	44.5	70.2	46.1	64.9	43.7	58.6	41.6	55.0	36	
40	-	-	24.1	52.7	37.0	61.7	37.9	59.6	37.7	54.7	37.9	50.1	36.3	48.9	40	
48	-	-	-	-	26.4	44.9	27.3	44.5	27.9	41.4	28.2	41.4	27.7	37.5	48	
56	-	-	-	-	19.7	30.1	20.5	32.5	21.3	33.5	21.3	32.5	21.1	31.2	56	
64	-	-	-	-	-	-	15.6	26.3	16.5	26.4	16.5	26.0	16.3	26.3	64	
72	-	-	-	-	-	-	12.0	21.7	12.9	21.3	12.6	21.9	12.6	21.3	72	
80	-	-	-	-	-	-	-	-	10.0	18.3	10.0	18.5	9.8	18.1	80	
88	-	-	-	-	-	-	-	-	-	7.7	15.5	7.5	15.2	88		
96	-	-	-	-	-	-	-	-	-	6.0	13.1	5.8	12.9	96		
104	-	-	-	-	-	-	-	-	-	-	-	4.4	10.6	104		
112	-	-	-	-	-	-	-	-	-	-	-	3.2	9.0	112		
1)	45.0	45.0	25.8	32.8	17.4	25.6	11.7	20.3	8.4	16.1	5.3	11.9	3.1	8.8	1)	

ft	360° 134.8ft	Max. 134.8ft	360° 148.3ft	Max. 148.3ft	360° 161.4ft	Max. 161.4ft	360° 174.9ft	Max. 174.9ft	360° 188.6ft	Max. 188.6ft	360° 202.1ft	Max. 202.1ft	360° 223.1ft	Max. 223.1ft	ft
1,000 lb															
24	64.4	75.1	-	-	-	-	-	-	-	-	-	-	-	-	24
28	52.9	68.3	48.9	58.8	-	-	-	-	-	-	-	-	-	-	28
32	46.2	58.8	43.5	51.8	39.4	46.9	-	-	-	-	-	-	-	-	32
36	39.7	50.9	37.9	46.5	34.9	41.5	31.9	36.4	-	-	-	-	-	-	36
40	34.8	44.5	32.8	42.2	31.6	39.0	29.8	35.3	26.0	30.9	23.1	26.2	-	-	40
48	26.3	36.7	24.9	34.2	24.4	32.3	22.5	30.8	20.1	27.8	17.8	24.6	15.3	18.9	48
56	20.5	29.4	19.1	28.4	18.9	26.6	17.2	25.8	15.0	23.4	12.6	20.6	10.2	17.7	56
64	15.7	24.9	14.7	23.5	14.5	22.6	12.9	21.2	10.9	18.9	8.6	16.6	6.4	14.6	64
72	12.0	20.8	11.1	19.5	11.1	19.0	9.6	17.3	7.8	15.3	5.8	13.3	3.6	11.3	72
80	9.3	17.8	8.3	16.3	8.7	16.1	7.2	14.4	5.4	12.6	3.5	10.6	-	8.4	80
88	7.1	14.8	6.2	13.7	6.4	13.5	5.2	12.0	3.6	10.1	-	8.0	-	6.1	88
96	5.3	12.4	4.5	11.5	4.7	11.2	3.6	9.7	-	7.9	-	6.0	-	4.2	96
104	3.9	10.2	3.0	9.3	3.3	9.3	-	7.9	-	6.2	-	4.4	-	2.6	104
112	-	8.5	-	7.6	-	7.6	-	6.3	-	4.8	-	3.0	-	-	112
120	-	7.0	-	6.1	-	6.3	-	5.0	-	3.5	-	-	-	-	120
128	-	5.7	-	5.0	-	5.1	-	4.1	-	2.5	-	-	-	-	128
136	-	-	-	3.9	-	4.0	-	3.1	-	-	-	-	-	-	136
144	-	-	-	-	-	3.1	-	2.2	-	-	-	-	-	-	144
1)	-	5.7	-	3.5	-	2.4	-	-	-	-	-	-	-	-	1)

1) Capacities with horizontal boom

* Max. values are valid only for specific superstructure positions

101,400 lb		26.70 ft x 17.40 ft		360° / Max.*										85%	
ft	360° 40.7ft	Max. 40.7ft	360° 54.1ft	Max. 54.1ft	360° 67.6ft	Max. 67.6ft	360° 81.0ft	Max. 81.0ft	360° 94.5ft	Max. 94.5ft	360° 107.9ft	Max. 107.9ft	360° 121.4ft	Max. 121.4ft	ft
1,000 lb															
10	-	243.0	-	236.4	-	223.6	-	200.3	-	-	-	-	-	-	10
12	-	222.0	-	215.4	-	207.8	-	196.5	-	157.0	-	-	-	-	12
14	-	202.7	-	197.8	-	192.4	-	184.0	-	157.0	-	-	-	-	14
16	-	185.4	-	182.8	-	177.7	-	172.6	-	157.0	-	120.7	-	-	16
18	153.8	171.3	155.3	170.4	155.3	165.5	154.6	161.2	150.9	151.9	120.4	120.4	-	-	18
20	140.8	158.1	142.3	158.6	142.3	154.2	143.6	150.0	142.2	145.5	119.4	119.9	95.2	95.2	20
24	117.5	137.0	120.3	138.6	119.2	136.2	120.8	132.3	115.5	130.8	108.5	113.6	94.3	94.8	24
28	91.2	115.0	94.5	122.1	95.4	121.7	95.2	118.0	96.5	116.8	93.6	106.2	86.4	92.3	28
32	-	-	76.2	108.1	77.3	108.2	79.1	106.5	78.5	105.5	77.4	98.0	74.1	88.9	32
36	-	-	64.8	95.8	66.8	95.7	66.9	94.9	66.4	95.0	65.3	92.0	63.4	83.8	36
40	-	-	48.5	79.3	56.4	84.0	56.4	85.4	56.0	84.7	54.9	85.4	54.2	78.3	40
48	-	-	-	-	43.1	67.4	43.3	67.0	42.8	67.4	42.9	67.7	43.1	65.9	48
56	-	-	-	-	30.1	45.4	34.4	53.4	34.8	54.4	35.1	53.3	34.2	51.6	56
64	-	-	-	-	-	-	28.0	44.8	29.2	44.2	28.7	43.1	27.9	41.5	64
72	-	-	-	-	-	-	24.5	30.1	24.6	36.8	23.9	35.7	24.5	34.2	72
80	-	-	-	-	-	-	-	-	20.9	30.4	20.8	30.1	20.9	31.1	80
88	-	-	-	-	-	-	-	-	-	-	18.4	26.8	17.9	27.1	88
96	-	-	-	-	-	-	-	-	-	-	16.1	23.1	15.6	23.5	96
104	-	-	-	-	-	-	-	-	-	-	-	-	14.1	20.6	104
112	-	-	-	-	-	-	-	-	-	-	-	-	11.9	11.9	112
1)	45.0	45.0	32.8	32.8	25.6	26.5	20.3	20.3	16.5	16.5	13.2	13.2	10.6	10.6	1)

ft	360° 134.8ft	Max. 134.8ft	360° 148.3ft	Max. 148.3ft	360° 161.4ft	Max. 161.4ft	360° 174.9ft	Max. 174.9ft	360° 188.6ft	Max. 188.6ft	360° 202.1ft	Max. 202.1ft	360° 223.1ft	Max. 223.1ft	ft
1,000 lb															
24	75.1	75.1	-	-	-	-	-	-	-	-	-	-	-	-	24
28	72.4	72.4	58.8	58.8	-	-	-	-	-	-	-	-	-	-	28
32	68.5	68.6	57.5	57.5	47.9	47.9	-	-	-	-	-	-	-	-	32
36	60.8	64.4	54.9	55.3	46.7	46.7	37.9	37.9	-	-	-	-	-	-	36
40	54.5	60.2	51.2	52.7	45.3	45.4	37.7	37.7	31.3	31.3	26.2	26.2	-	-	40
48	41.7	52.1	40.0	46.8	39.3	41.7	36.4	36.9	31.0	31.0	25.8	25.8	18.9	18.9	48
56	33.5	44.8	33.4	41.1	31.8	37.5	31.4	34.4	29.8	30.2	25.8	25.8	18.7	18.7	56
64	28.3	40.2	27.4	35.9	27.3	33.2	27.1	31.3	26.1	28.5	25.1	25.3	18.7	18.7	64
72	23.7	35.4	23.7	31.4	23.4	29.4	23.0	28.1	21.9	26.5	21.6	24.1	18.7	18.7	72
80	20.5	29.9	20.0	27.5	19.8	26.0	19.3	24.9	19.4	24.1	18.5	22.5	17.6	18.7	80
88	17.8	25.6	17.5	24.9	17.0	23.0	16.9	22.1	16.5	21.7	15.6	20.8	14.8	17.9	88
96	15.4	22.1	15.2	22.5	14.5	20.6	14.8	19.7	14.1	19.4	13.2	19.0	12.6	16.9	96
104	13.8	19.6	13.2	19.7	13.0	18.5	12.8	17.6	12.1	17.4	11.3	17.2	10.6	15.6	104
112	12.0	18.4	11.6	17.1	11.6	17.3	11.2	16.0	10.5	15.6	9.6	15.5	8.9	14.0	112
120	10.7	16.5	10.1	15.0	10.3	15.2	9.6	14.7	9.0	14.2	8.3	13.7	7.5	12.7	120
128	9.5	11.0	8.9	14.0	9.0	13.3	8.4	13.1	7.8	12.6	7.0	11.8	6.3	11.5	128
136	-	-	7.9	13.0	8.0	11.8	7.3	11.4	6.8	10.9	6.0	10.4	4.9	10.1	136
144	-	-	-	-	7.1	10.8	6.4	10.0	5.8	9.5	4.7	9.5	3.8	8.4	144
152	-	-	-	-	-	-	5.6	9.2	4.9	8.2	3.8	8.2	2.8	7.3	152
160	-	-	-	-	-	-	4.8	8.3	3.9	7.2	2.8	7.2	-	6.1	160
168	-	-	-	-	-	-	-	-	3.2	6.6	-	6.1	-	5.0	168
176	-	-	-	-	-	-	-	-	2.5	6.2	-	5.2	-	4.1	176
184	-	-	-	-	-	-	-	-	-	-	-	4.4	-	3.4	184
1)	7.9	7.9	6.0	5.0	4.9	4.9	2.9	2.9	-	-	-	-	-	-	1)

1) Capacities with horizontal boom

* Max. values are valid only for specific superstructure positions

71,900 lb		26.70 ft x 17.40 ft		360° / Max.*										85%	
ft	360° 40.7ft	Max. 40.7ft	360° 54.1ft	Max. 54.1ft	360° 67.6ft	Max. 67.6ft	360° 81.0ft	Max. 81.0ft	360° 94.5ft	Max. 94.5ft	360° 107.9ft	Max. 107.9ft	360° 121.4ft	Max. 121.4ft	ft
1,000 lb															
10	225.1	243.0	226.2	236.4	223.2	223.6	200.3	200.3	-	-	-	-	-	-	10
12	200.7	222.0	202.1	215.4	202.1	207.8	196.5	196.5	157.0	157.0	-	-	-	-	12
14	180.4	202.7	181.8	197.8	181.8	192.4	179.1	184.0	157.0	157.0	-	-	-	-	14
16	163.5	185.4	164.8	182.8	164.8	177.7	157.6	172.6	143.5	157.0	120.7	120.7	-	-	16
18	146.7	171.3	148.6	170.4	146.9	165.5	139.5	161.2	126.3	151.9	114.2	120.4	-	-	18
20	129.1	158.1	133.6	158.6	131.9	154.2	121.6	150.0	115.7	145.5	106.0	119.9	94.0	95.2	20
24	92.2	136.3	96.1	137.9	97.1	135.8	99.6	132.3	93.9	130.8	86.6	113.6	79.2	94.8	24
28	70.4	114.1	75.0	117.5	76.8	117.4	77.1	116.2	76.3	116.0	72.5	106.2	67.6	92.3	28
32	-	-	60.1	100.9	61.7	100.2	62.0	101.7	61.3	100.8	60.1	97.9	60.2	88.9	32
36	-	-	50.5	88.9	52.0	87.8	52.2	89.2	51.6	88.3	51.6	88.6	52.0	83.6	36
40	-	-	35.8	72.3	43.6	78.5	43.8	78.1	45.2	79.2	44.7	78.7	43.6	77.4	40
48	-	-	-	-	33.6	63.2	34.4	62.8	34.4	64.3	33.9	63.4	34.5	62.1	48
56	-	-	-	-	26.7	44.6	27.4	52.9	27.2	52.7	27.7	51.5	27.3	50.0	56
64	-	-	-	-	-	-	22.3	44.1	22.5	43.3	22.6	42.2	22.5	40.5	64
72	-	-	-	-	-	-	18.4	29.5	18.8	36.7	18.8	35.6	18.8	34.2	72
80	-	-	-	-	-	-	-	-	15.9	30.0	15.9	29.7	15.9	30.9	80
88	-	-	-	-	-	-	-	-	-	-	13.6	26.8	13.5	26.8	88
96	-	-	-	-	-	-	-	-	-	-	11.7	23.1	11.6	23.3	96
104	-	-	-	-	-	-	-	-	-	-	-	-	9.9	20.2	104
112	-	-	-	-	-	-	-	-	-	-	-	-	8.5	11.9	112
1)	45.0	45.0	32.8	32.8	24.5	25.6	18.1	20.3	14.1	16.5	10.8	13.2	8.6	10.6	1)

ft	360° 134.8ft	Max. 134.8ft	360° 148.3ft	Max. 148.3ft	360° 161.4ft	Max. 161.4ft	360° 174.9ft	Max. 174.9ft	360° 188.6ft	Max. 188.6ft	360° 202.1ft	Max. 202.1ft	360° 223.1ft	Max. 223.1ft	ft
1,000 lb															
24	72.6	75.1	-	-	-	-	-	-	-	-	-	-	-	-	24
28	63.6	72.4	56.8	58.8	-	-	-	-	-	-	-	-	-	-	28
32	55.7	68.6	51.5	57.5	46.7	47.9	-	-	-	-	-	-	-	-	32
36	48.8	64.4	46.4	55.3	41.9	46.7	37.1	37.9	-	-	-	-	-	-	36
40	42.5	60.2	41.7	52.7	39.1	45.4	35.5	37.7	31.1	31.3	26.2	26.2	-	-	40
48	33.6	52.1	33.6	46.8	32.3	41.7	31.7	36.9	28.5	31.0	25.4	25.8	18.9	18.9	48
56	27.1	44.8	26.8	41.1	26.3	37.5	25.9	34.4	24.5	30.2	22.4	25.8	18.7	18.7	56
64	22.1	40.2	21.6	35.9	21.8	33.2	21.2	31.3	20.5	28.5	19.1	25.3	16.9	18.7	64
72	18.4	35.4	17.7	31.4	17.9	29.4	17.3	28.1	16.6	26.5	15.7	24.1	14.0	18.7	72
80	15.5	29.2	14.8	27.2	15.1	25.9	14.4	24.9	13.7	24.1	12.8	22.5	11.3	18.7	80
88	13.2	25.3	12.5	24.9	12.7	23.0	12.1	22.1	11.4	21.7	10.5	20.8	9.2	17.9	88
96	11.2	21.8	10.6	22.4	10.7	20.3	10.2	19.4	9.5	19.4	8.6	19.0	7.3	16.9	96
104	9.6	19.6	9.0	19.3	9.2	18.5	8.6	17.6	7.9	17.1	7.0	17.2	5.7	15.6	104
112	8.3	18.4	7.7	17.1	7.9	17.3	7.2	16.0	6.6	15.6	5.7	15.5	4.3	14.0	112
120	7.1	16.5	6.6	15.0	6.6	15.2	6.1	14.7	5.4	14.2	4.3	13.7	3.1	12.6	120
128	6.2	11.0	5.6	14.0	5.7	13.3	5.1	13.1	4.2	12.4	3.1	11.7	-	11.1	128
136	-	-	4.8	13.0	4.8	11.6	4.0	11.4	3.3	10.9	-	10.4	-	9.9	136
144	-	-	-	-	4.0	10.8	3.1	10.0	2.3	9.5	-	9.5	-	8.4	144
152	-	-	-	-	-	-	-	9.2	-	8.2	-	8.2	-	6.9	152
160	-	-	-	-	-	-	-	8.3	-	7.2	-	6.7	-	6.0	160
168	-	-	-	-	-	-	-	-	-	6.6	-	5.8	-	4.9	168
176	-	-	-	-	-	-	-	-	-	6.2	-	5.2	-	4.1	176
184	-	-	-	-	-	-	-	-	-	-	-	4.4	-	3.2	184
1)	6.2	7.9	4.4	6.0	3.1	4.9	-	2.9	-	-	-	-	-	-	1)

1) Capacities with horizontal boom

* Max. values are valid only for specific superstructure positions

56,000 lb		26.70 ft x 17.40 ft										360° / Max.*				85%
ft	360° 40.7ft	Max. 40.7ft	360° 54.1ft	Max. 54.1ft	360° 67.6ft	Max. 67.6ft	360° 81.0ft	Max. 81.0ft	360° 94.5ft	Max. 94.5ft	360° 107.9ft	Max. 107.9ft	360° 121.4ft	Max. 121.4ft	ft	
1,000 lb																
10	221.8	243.0	222.9	236.4	222.9	223.6	200.3	200.3	-	-	-	-	-	-	10	
12	197.9	222.0	199.2	215.4	199.2	207.8	190.2	196.5	156.3	157.0	-	-	-	-	12	
14	177.8	202.7	179.2	197.8	175.8	192.4	162.0	184.0	144.2	157.0	-	-	-	-	14	
16	161.2	185.4	162.5	182.8	150.2	177.7	137.5	172.6	125.6	157.0	114.9	120.7	-	-	16	
18	136.4	171.3	139.0	170.4	132.3	165.5	119.9	161.2	113.1	151.9	102.7	120.4	-	-	18	
20	110.7	157.8	115.3	158.4	113.4	154.2	108.4	150.0	99.4	145.5	90.7	119.9	83.4	95.2	20	
24	78.7	132.3	83.5	134.0	86.0	133.9	85.6	130.9	80.3	130.3	73.8	113.6	69.6	94.8	24	
28	59.6	110.4	64.2	111.9	66.0	111.9	66.2	113.4	65.4	112.4	63.3	106.2	60.2	92.3	28	
32	-	-	51.2	96.5	52.8	96.1	53.0	97.0	53.8	95.9	54.1	96.0	51.5	88.9	32	
36	-	-	42.8	84.7	44.3	85.2	44.5	85.0	46.1	85.0	45.5	85.7	43.9	80.8	36	
40	-	-	29.0	68.8	38.0	74.5	38.9	74.3	38.7	75.9	38.2	74.9	38.7	71.6	40	
48	-	-	-	-	28.6	58.0	29.4	59.9	29.6	59.5	29.7	58.3	29.7	55.2	48	
56	-	-	-	-	22.5	38.8	23.0	47.8	23.5	47.1	23.7	46.0	23.4	44.1	56	
64	-	-	-	-	-	-	18.5	39.3	19.1	38.6	19.1	37.5	18.9	37.5	64	
72	-	-	-	-	-	-	15.3	28.7	15.7	31.9	15.7	31.6	15.5	32.1	72	
80	-	-	-	-	-	-	-	-	13.1	27.2	13.1	28.4	12.9	27.5	80	
88	-	-	-	-	-	-	-	-	-	-	11.1	24.4	10.8	23.3	88	
96	-	-	-	-	-	-	-	-	-	-	9.3	21.0	9.2	19.9	96	
104	-	-	-	-	-	-	-	-	-	-	-	-	7.9	17.8	104	
112	-	-	-	-	-	-	-	-	-	-	-	-	6.6	11.9	112	
1)	45.0	45.0	28.9	32.8	20.3	25.6	15.0	20.3	11.5	16.5	8.6	13.2	6.6	10.6	1)	

ft	360° 134.8ft	Max. 134.8ft	360° 148.3ft	Max. 148.3ft	360° 161.4ft	Max. 161.4ft	360° 174.9ft	Max. 174.9ft	360° 188.6ft	Max. 188.6ft	360° 202.1ft	Max. 202.1ft	360° 223.1ft	Max. 223.1ft	ft
1,000 lb															
24	65.0	75.1	-	-	-	-	-	-	-	-	-	-	-	-	24
28	55.7	72.4	51.1	58.8	-	-	-	-	-	-	-	-	-	-	28
32	48.9	68.6	45.9	57.5	41.7	47.9	-	-	-	-	-	-	-	-	32
36	43.3	64.4	40.9	55.3	38.1	46.7	34.3	37.9	-	-	-	-	-	-	36
40	37.8	60.2	37.4	52.7	35.3	45.4	33.2	37.7	29.3	31.3	26.0	26.2	-	-	40
48	29.1	51.6	28.8	46.8	28.5	41.7	27.6	36.9	24.8	31.0	22.0	25.8	18.7	18.9	48
56	23.2	43.9	22.5	40.3	22.7	37.5	22.0	34.4	20.4	30.2	18.3	25.8	16.4	18.7	56
64	18.7	37.3	17.8	33.9	18.2	32.3	17.6	31.3	16.6	28.5	14.8	25.3	13.0	18.7	64
72	15.3	30.5	14.4	29.4	14.6	28.1	14.2	26.5	13.3	26.5	11.7	24.1	10.2	18.7	72
80	12.7	26.0	12.0	26.1	12.2	23.5	11.6	23.7	10.9	22.6	9.4	22.2	7.9	18.7	80
88	10.6	23.0	9.9	22.3	10.2	21.6	9.5	20.7	8.8	20.3	7.5	19.1	6.0	17.7	88
96	8.9	20.5	8.2	18.8	8.4	19.2	7.8	18.5	7.1	17.6	5.8	16.6	4.2	15.4	96
104	7.4	17.7	6.8	17.4	7.0	16.4	6.3	16.0	5.7	15.0	4.4	14.4	2.8	12.9	104
112	6.3	15.3	5.7	15.3	5.9	14.5	5.2	14.4	4.3	13.1	3.0	12.5	-	10.7	112
120	5.3	13.6	4.6	13.2	4.8	13.2	3.9	12.1	3.3	11.7	-	10.9	-	9.3	120
128	4.4	11.0	3.6	11.5	3.7	11.2	3.0	10.9	-	10.4	-	9.2	-	7.8	128
136	-	-	2.8	10.4	2.8	9.6	-	9.8	-	8.9	-	7.8	-	6.5	136
144	-	-	-	-	-	8.4	-	8.4	-	7.6	-	6.5	-	5.1	144
152	-	-	-	-	-	-	-	7.4	-	6.5	-	5.4	-	4.1	152
160	-	-	-	-	-	-	-	6.4	-	5.6	-	4.3	-	3.3	160
168	-	-	-	-	-	-	-	-	-	4.7	-	3.4	-	-	168
176	-	-	-	-	-	-	-	-	-	3.9	-	2.7	-	-	176
1)	4.4	7.9	2.4	6.0	-	4.9	-	2.9	-	-	-	-	-	-	1)

1) Capacities with horizontal boom

* Max. values are valid only for specific superstructure positions

13,900 lb		26.70 ft x 17.40 ft								360° / Max.*				85%	
ft	360° 40.7ft	Max. 40.7ft	360° 54.1ft	Max. 54.1ft	360° 67.6ft	Max. 67.6ft	360° 81.0ft	Max. 81.0ft	360° 94.5ft	Max. 94.5ft	360° 107.9ft	Max. 107.9ft	360° 121.4ft	Max. 121.4ft	ft
1,000 lb															
10	213.9	243.0	206.5	236.4	172.6	223.6	143.6	200.3	-	-	-	-	-	-	10
12	178.3	222.0	153.6	215.4	131.7	207.8	118.7	196.5	103.0	157.0	-	-	-	-	12
14	133.1	202.7	119.0	197.8	109.3	192.4	97.1	184.0	87.4	157.0	-	-	-	-	14
16	100.2	182.9	98.5	182.8	90.3	177.7	81.4	172.6	76.7	157.0	68.9	120.7	-	-	16
18	78.4	162.1	81.7	163.5	77.3	160.9	70.9	158.1	67.1	150.1	61.7	120.4	-	-	18
20	60.3	142.1	66.6	143.8	65.8	143.8	63.5	143.8	58.5	139.5	55.3	117.9	51.4	94.8	20
24	41.4	114.6	46.7	117.6	50.3	115.0	49.6	111.7	47.8	106.9	44.5	98.4	41.9	85.2	24
28	30.2	90.3	34.7	94.7	37.9	91.8	38.9	90.8	38.8	84.7	36.7	77.0	34.8	69.9	28
32	-	-	26.9	75.0	29.8	76.5	30.6	75.4	31.4	69.6	30.7	62.5	29.2	59.4	32
36	-	-	21.8	62.6	24.6	64.6	25.2	63.0	26.1	58.3	25.9	53.4	25.0	51.5	36
40	-	-	11.0	42.5	20.0	54.9	20.7	52.0	21.5	48.3	21.5	48.1	21.1	44.0	40
48	-	-	-	-	14.3	37.7	14.9	37.9	15.6	38.7	15.6	36.3	15.4	34.9	48
56	-	-	-	-	10.5	28.4	10.9	29.5	11.6	29.4	11.6	28.6	11.5	28.6	56
64	-	-	-	-	-	-	8.2	23.1	8.9	23.2	8.9	23.4	8.6	23.0	64
72	-	-	-	-	-	-	6.2	18.8	6.7	19.2	6.7	19.3	6.7	19.0	72
80	-	-	-	-	-	-	-	-	5.1	16.1	5.1	15.9	5.0	15.8	80
88	-	-	-	-	-	-	-	-	-	-	3.7	13.3	3.5	13.1	88
96	-	-	-	-	-	-	-	-	-	-	-	11.2	-	10.9	96
104	-	-	-	-	-	-	-	-	-	-	-	-	-	9.1	104
112	-	-	-	-	-	-	-	-	-	-	-	-	-	7.6	112
1)	22.7	45.0	13.4	32.8	9.0	25.6	6.2	18.5	4.0	13.9	-	10.1	-	7.5	1)

ft	360° 134.8ft	Max. 134.8ft	360° 148.3ft	Max. 148.3ft	360° 161.4ft	Max. 161.4ft	360° 174.9ft	Max. 174.9ft	360° 188.6ft	Max. 188.6ft	360° 202.1ft	Max. 202.1ft	360° 223.1ft	Max. 223.1ft	ft
1,000 lb															
24	38,2	73,0	-	-	-	-	-	-	-	-	-	-	-	-	24
28	31,7	63,7	29,6	56,0	-	-	-	-	-	-	-	-	-	-	28
32	26,7	54,1	24,9	50,3	24,2	45,0	-	-	-	-	-	-	-	-	32
36	22,9	46,7	21,3	43,8	20,8	39,5	18,6	34,9	-	-	-	-	-	-	36
40	19,5	42,2	18,1	39,1	17,7	36,5	15,8	34,2	13,8	30,0	10,7	26,1	-	-	40
48	14,8	32,7	13,6	32,2	13,2	30,1	11,7	28,7	9,7	25,2	7,8	22,9	-	18,9	48
56	11,2	27,0	10,0	25,6	9,9	25,1	8,5	23,5	6,9	21,4	5,1	18,9	-	16,7	56
64	8,4	22,2	7,3	20,9	7,3	20,7	6,0	19,1	4,6	17,3	2,7	15,3	-	13,2	64
72	6,2	18,6	5,3	17,3	5,3	17,1	4,0	15,5	2,5	14,0	-	12,0	-	10,0	72
80	4,6	15,4	3,7	14,5	3,8	14,2	-	12,6	-	11,0	-	9,1	-	7,3	80
88	3,1	12,6	-	11,8	-	12,1	-	10,5	-	8,7	-	6,9	-	5,1	88
96	-	10,5	-	9,6	-	9,9	-	8,7	-	7,0	-	5,1	-	3,4	96
104	-	8,6	-	7,7	-	7,9	-	7,0	-	5,5	-	3,5	-	-	104
112	-	7,0	-	6,3	-	6,5	-	5,7	-	4,1	-	-	-	-	112
120	-	5,9	-	5,0	-	5,3	-	4,4	-	3,1	-	-	-	-	120
128	-	4,7	-	4,0	-	4,2	-	3,3	-	-	-	-	-	-	128
136	-	-	-	3,0	-	3,1	-	2,4	-	-	-	-	-	-	136
144	-	-	-	-	-	2,2	-	-	-	-	-	-	-	-	144
1)	-	4,9	-	2,6	-	-	-	-	-	-	-	-	-	-	1)

1) Capacities with horizontal boom

* Max. values are valid only for specific superstructure positions

8,200 lb		26.70 ft x 17.40 ft										360° / Max.*				85%
ft	360° 40.7ft	Max. 40.7ft	360° 54.1ft	Max. 54.1ft	360° 67.6ft	Max. 67.6ft	360° 81.0ft	Max. 81.0ft	360° 94.5ft	Max. 94.5ft	360° 107.9ft	Max. 107.9ft	360° 121.4ft	Max. 121.4ft	ft	
1,000 lb																
10	211.2	243.0	190.4	236.4	156.0	223.6	136.0	200.3	-	-	-	-	-	-	10	
12	160.7	222.0	138.3	215.4	123.2	207.8	107.2	196.5	94.5	157.0	-	-	-	-	12	
14	118.8	202.7	108.0	197.8	98.4	192.4	87.5	184.0	81.2	157.0	-	-	-	-	14	
16	89.5	180.3	88.4	180.8	81.1	177.7	75.5	172.6	69.0	157.0	61.9	120.7	-	-	16	
18	70.0	158.8	73.3	160.6	69.4	159.5	66.0	154.3	60.3	144.2	56.4	119.2	-	-	18	
20	53.6	139.1	59.7	140.8	60.4	140.3	56.9	141.1	53.7	127.8	49.4	115.5	46.2	93.9	20	
24	36.4	111.7	41.6	113.0	45.2	109.5	44.5	104.6	42.7	100.3	39.7	89.9	37.4	78.1	24	
28	26.2	84.5	30.8	88.3	33.9	86.0	34.8	86.1	34.6	77.2	32.6	68.9	30.8	64.3	28	
32	-	-	23.6	71.7	26.4	72.5	27.3	68.1	28.1	62.7	27.2	58.3	25.7	54.4	32	
36	-	-	18.9	58.7	21.6	59.9	22.5	56.3	23.2	52.0	22.8	50.8	21.9	46.5	36	
40	-	-	8.6	36.7	17.4	49.1	18.3	47.2	18.9	45.7	18.9	42.9	18.5	40.6	40	
48	-	-	-	-	12.3	34.5	12.8	34.6	13.5	35.4	13.5	32.9	13.5	32.1	48	
56	-	-	-	-	8.8	25.9	9.4	26.6	9.9	26.4	9.9	27.0	9.9	26.3	56	
64	-	-	-	-	-	-	6.9	21.0	7.5	21.5	7.5	21.8	7.3	21.3	64	
72	-	-	-	-	-	-	5.1	16.8	5.6	17.5	5.6	17.5	5.3	17.3	72	
80	-	-	-	-	-	-	-	-	4.0	14.4	4.0	14.3	3.8	14.1	80	
88	-	-	-	-	-	-	-	-	-	-	-	11.8	-	11.6	88	
96	-	-	-	-	-	-	-	-	-	-	-	9.8	-	9.6	96	
104	-	-	-	-	-	-	-	-	-	-	-	-	-	7.9	104	
112	-	-	-	-	-	-	-	-	-	-	-	-	-	6.5	112	
1)	19.4	45.0	11.2	32.8	7.5	23.4	4.9	16.8	2.9	12.3	-	8.8	-	6.2	1)	

ft	360° 134.8ft	Max. 134.8ft	360° 148.3ft	Max. 148.3ft	360° 161.4ft	Max. 161.4ft	360° 174.9ft	Max. 174.9ft	360° 188.6ft	Max. 188.6ft	360° 202.1ft	Max. 202.1ft	360° 223.1ft	Max. 223.1ft	ft
1,000 lb															
24	34.0	69.0	-	-	-	-	-	-	-	-	-	-	-	-	24
28	28.0	59.3	25.9	52.5	-	-	-	-	-	-	-	-	-	-	28
32	23.4	49.3	21.7	46.6	21.0	41.7	-	-	-	-	-	-	-	-	32
36	19.9	43.8	18.5	40.9	17.9	37.5	15.9	33.7	-	-	-	-	-	-	36
40	16.8	38.4	15.5	37.4	15.1	34.3	13.4	31.8	11.4	29.2	8.3	25.8	-	-	40
48	12.5	30.6	11.2	29.2	11.1	28.6	9.5	26.2	7.8	23.5	5.8	21.3	-	18.1	48
56	9.3	24.5	8.1	23.3	8.1	22.9	6.7	21.1	5.1	19.0	-	16.4	-	14.5	56
64	6.8	20.0	5.7	18.7	5.7	18.5	4.4	17.1	2.9	15.3	-	13.2	-	11.0	64
72	4.9	16.4	3.8	15.3	3.8	15.1	2.5	13.7	-	12.0	-	10.0	-	8.0	72
80	3.3	13.9	-	12.6	-	12.3	-	10.9	-	9.1	-	7.4	-	5.6	80
88	-	11.2	-	10.3	-	10.4	-	8.8	-	7.1	-	5.3	-	3.6	88
96	-	9.2	-	8.3	-	8.5	-	7.1	-	5.3	-	3.6	-	-	96
104	-	7.5	-	6.6	-	6.8	-	5.7	-	3.9	-	-	-	-	104
112	-	5.9	-	5.2	-	5.4	-	4.3	-	-	-	-	-	-	112
120	-	4.8	-	3.9	-	4.2	-	3.3	-	-	-	-	-	-	120
128	-	3.7	-	3.0	-	3.1	-	-	-	-	-	-	-	-	128
1)	-	3.7	-	-	-	-	-	-	-	-	-	-	-	-	1)

1) Capacities with horizontal boom

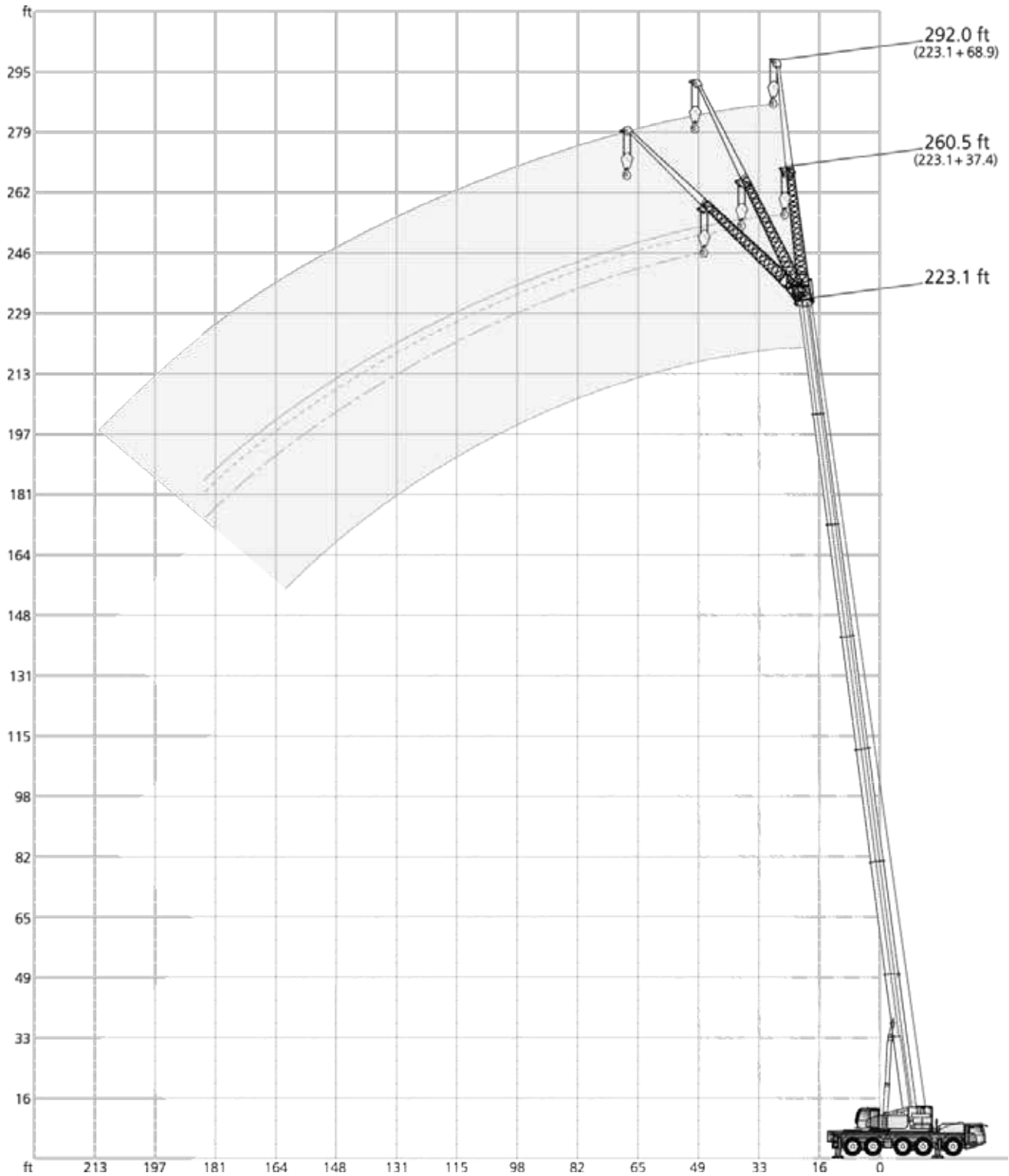
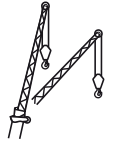
* Max. values are valid only for specific superstructure positions

8,200 lb		26.70 ft x 8.30 ft										360° / Max.*				85%
ft	360° 40.7ft	Max. 40.7ft	360° 54.1ft	Max. 54.1ft	360° 67.6ft	Max. 67.6ft	360° 81.0ft	Max. 81.0ft	360° 94.5ft	Max. 94.5ft	360° 107.9ft	Max. 107.9ft	360° 121.4ft	Max. 121.4ft	ft	
1,000 lb																
10	56.7	243.0	55.3	236.4	52.6	170.6	48.3	107.3	-	-	-	-	-	-	10	
12	42.9	222.0	44.7	215.4	43.4	171.9	40.3	109.0	36.2	78.7	-	-	-	-	12	
14	31.6	202.7	36.3	197.8	36.3	176.1	34.0	110.8	32.1	79.5	-	-	-	-	14	
16	24.1	180.3	29.0	180.8	30.8	175.7	29.1	112.9	27.7	80.5	23.4	59.6	-	-	16	
18	19.2	158.8	23.7	160.6	26.1	159.0	25.3	114.1	24.3	78.1	22.1	61.1	-	-	18	
20	15.0	139.1	19.1	140.2	22.0	138.3	21.8	113.7	21.2	79.3	19.3	61.0	18.0	49.4	20	
24	9.5	108.1	13.4	108.4	16.0	99.1	16.7	95.3	16.4	78.8	15.2	62.4	14.2	49.7	24	
28	5.4	75.8	9.6	78.0	11.9	77.2	12.6	72.2	13.0	66.4	12.1	61.3	11.2	49.5	28	
32	-	-	6.7	59.7	8.9	60.6	9.6	57.1	10.2	54.8	9.5	52.5	8.8	47.9	32	
36	-	-	4.3	46.8	6.9	48.4	7.5	47.1	8.2	47.1	7.6	44.0	7.0	41.6	36	
40	-	-	-	27.6	5.0	39.3	5.7	40.2	6.4	39.4	6.0	38.0	5.3	36.3	40	
48	-	-	-	-	-	28.2	-	28.6	3.6	29.2	3.4	28.9	-	28.3	48	
56	-	-	-	-	-	21.5	-	22.1	-	22.5	-	22.2	-	22.1	56	
64	-	-	-	-	-	-	-	17.4	-	17.8	-	17.6	-	17.4	64	
72	-	-	-	-	-	-	-	14.2	-	14.4	-	14.2	-	13.9	72	
80	-	-	-	-	-	-	-	-	-	11.7	-	11.6	-	11.3	80	
88	-	-	-	-	-	-	-	-	-	-	-	9.4	-	9.1	88	
96	-	-	-	-	-	-	-	-	-	-	-	7.5	-	7.3	96	
104	-	-	-	-	-	-	-	-	-	-	-	-	-	5.9	104	
112	-	-	-	-	-	-	-	-	-	-	-	-	-	4.6	112	
1)	2.2	45.0	-	28.7	-	19.6	-	13.9	-	10.1	-	7.1	-	4.6	1)	

360°		Max.	360°	Max.	360°	Max.	360°	Max.	360°	Max.	360°	Max.	360°	Max.	
ft	134.8ft	134.8ft	148.3ft	148.3ft	161.4ft	161.4ft	174.9ft	174.9ft	188.6ft	188.6ft	202.1ft	202.1ft	223.1ft	223.1ft	
1,000 lb															
24	12.0	39.6	-	-	-	-	-	-	-	-	-	-	-	-	24
28	9.5	40.3	8.2	32.7	-	-	-	-	-	-	-	-	-	-	28
32	7.4	41.1	6.1	33.2	6.1	28.2	-	-	-	-	-	-	-	-	32
36	5.8	38.2	4.6	33.4	4.6	28.5	-	23.1	-	-	-	-	-	-	36
40	4.2	34.4	-	32.9	-	28.6	-	23.4	-	17.9	-	13.3	-	-	40
48	-	26.7	-	25.4	-	24.9	-	22.8	-	18.2	-	13.8	-	10.0	48
56	-	21.2	-	19.9	-	19.8	-	18.2	-	16.3	-	13.4	-	10.3	56
64	-	17.0	-	15.9	-	15.8	-	14.4	-	12.6	-	10.6	-	8.5	64
72	-	13.3	-	12.4	-	12.6	-	11.1	-	9.3	-	7.6	-	5.8	72
80	-	10.9	-	9.8	-	10.0	-	8.7	-	7.2	-	5.2	-	3.5	80
88	-	8.6	-	7.7	-	7.8	-	6.6	-	5.2	-	3.4	-	-	88
96	-	6.7	-	6.0	-	6.2	-	5.0	-	3.6	-	-	-	-	96
104	-	5.4	-	4.4	-	4.6	-	3.7	-	2.3	-	-	-	-	104
112	-	4.1	-	3.2	-	3.5	-	-	-	-	-	-	-	-	112
120	-	3.1	-	-	-	-	-	-	-	-	-	-	-	-	120
1)	-	2.2	-	-	-	-	-	-	-	-	-	-	-	-	1)

1) Capacities with horizontal boom

* Max. values are valid only for specific superstructure positions



101,400 lb		26.70 ft x 24.60 ft		360°		85%							
40.7 ft													
37.4 ft				68.9 ft									
0°		20°		40°		0°		20°		40°			
ft	1,000 lb						ft	1,000 lb					
10	41.2	-	-	22.2	-	-	24	39.0	-	-	-	-	-
12	41.2	-	-	22.0	-	-	28	38.6	-	-	16.6	-	-
14	41.2	-	-	21.9	-	-	32	38.2	-	-	16.4	-	-
16	41.2	-	-	21.7	-	-	36	37.7	-	-	16.1	-	-
18	41.2	-	-	21.4	-	-	40	37.2	29.2	-	15.9	-	-
20	41.2	34.8	-	21.1	-	-	48	35.6	27.3	21.4	15.5	-	-
24	41.2	31.9	-	20.5	-	-	56	33.0	25.5	20.6	15.1	12.8	-
28	39.6	29.5	-	19.7	-	-	64	30.1	23.9	20.0	14.7	12.1	-
32	35.8	27.5	22.5	18.9	-	-	72	27.4	22.5	19.4	14.1	11.5	-
36	32.7	25.8	21.5	17.9	-	-	80	25.3	21.2	18.9	13.8	10.9	9.0
40	29.9	24.3	20.6	16.8	13.6	-	88	23.5	20.1	18.3	13.3	10.4	8.7
48	25.7	21.7	19.3	14.9	12.3	-	96	21.9	19.1	17.8	12.7	9.9	8.5
56	22.3	19.9	18.6	13.2	11.2	9.7	104	20.6	18.2	17.3	12.0	9.5	8.4
64	19.8	18.7	-	11.7	10.3	9.1	112	18.4	17.4	17.0	11.2	9.2	8.2
72	-	-	-	10.6	9.5	8.6	120	16.0	16.5	16.5	10.7	9.0	8.1
80	-	-	-	9.8	9.0	8.3	128	13.9	14.5	7.6	10.1	8.7	7.9
88	-	-	-	9.1	8.5	8.2	136	12.3	12.5	-	9.6	8.4	7.9
96	-	-	-	8.5	8.2	-	144	11.3	11.3	-	9.3	8.2	7.9
							152	5.9	-	-	8.8	8.2	7.9
							160	-	-	-	8.5	8.2	4.7
							168	-	-	-	8.0	7.8	-
							176	-	-	-	7.6	7.0	-

202.1 ft													
37.4 ft				68.9 ft									
0°		20°		40°		0°		20°		40°			
ft	1,000 lb						ft	1,000 lb					
48	13.2	-	-	-	-	-	56	13.2	-	-	7.7	-	-
56	13.2	-	-	-	-	-	64	13.2	-	-	7.7	-	-
64	13.2	-	-	-	-	-	72	13.2	-	-	7.7	-	-
72	13.2	-	-	-	-	-	80	13.2	13.2	-	7.7	-	-
80	13.2	13.2	-	-	-	-	88	13.2	13.2	13.2	7.7	-	-
88	13.2	13.2	13.2	-	-	-	96	13.2	13.2	13.2	7.7	7.7	-
96	13.2	13.2	13.2	-	-	-	104	13.2	13.2	13.2	7.7	7.7	-
104	13.2	13.2	13.2	-	-	-	112	12.7	12.7	12.5	7.7	7.7	7.5
112	12.7	12.7	12.5	-	-	-	120	11.9	11.9	11.9	7.7	7.7	7.5
120	11.9	11.9	11.9	-	-	-	128	11.1	11.1	11.1	7.7	7.7	7.5
128	11.1	11.1	11.1	-	-	-	136	10.3	10.3	10.3	7.7	7.7	7.5
136	10.3	10.3	10.3	-	-	-	144	9.1	9.5	9.7	7.5	7.5	7.5
144	9.1	9.5	9.7	-	-	-	152	7.8	8.6	8.7	7.2	7.2	7.2
152	7.8	8.6	8.7	-	-	-	160	6.5	7.3	7.7	6.6	6.9	6.7
160	6.5	7.3	7.7	-	-	-	168	5.8	6.1	6.5	5.5	6.3	6.5
168	5.8	6.1	6.5	-	-	-	176	5.0	5.4	5.4	4.7	5.6	6.2
176	5.0	5.4	5.4	-	-	-	184	4.2	4.6	4.7	4.1	4.7	5.5
184	4.2	4.6	4.7	-	-	-	192	3.4	3.8	4.0	3.4	4.0	4.6
192	3.4	3.8	4.0	-	-	-	200	2.5	3.0	3.0	2.5	3.4	3.7
200	2.5	3.0	3.0	-	-	-	208	-	-	-	-	-	3.1
208	-	-	-	-	-	-	216	-	-	-	-	-	2.5
216	-	-	-	-	-	-							

223.1 ft													
37.4 ft				68.9 ft									
0°		20°		40°		0°		20°		40°			
ft	1,000 lb						ft	1,000 lb					
56	9.5	-	-	-	-	-	64	9.5	-	-	-	-	-
64	9.5	-	-	-	-	-	72	9.5	-	-	5.7	-	-
72	9.5	-	-	-	-	-	80	9.5	9.5	-	5.7	-	-
80	9.5	9.5	-	-	-	-	88	9.5	9.5	-	5.7	-	-
88	9.5	9.5	-	-	-	-	96	9.5	9.5	9.5	5.7	-	-
96	9.5	9.5	9.5	-	-	-	104	9.5	9.5	9.5	5.7	-	-
104	9.5	9.5	9.5	-	-	-	112	9.5	9.5	9.5	5.7	-	-
112	9.5	9.5	9.5	-	-	-	120	9.5	9.5	9.5	5.7	-	-
120	9.5	9.5	9.5	-	-	-	128	9.4	9.5	9.5	5.7	-	-
128	9.4	9.5	9.5	-	-	-	136	8.8	9.2	9.2	5.7	-	-
136	8.8	9.2	9.2	-	-	-	144	8.2	8.4	8.4	5.7	-	-
144	8.2	8.4	8.4	-	-	-	152	7.3	7.6	7.8	5.7	-	-
152	7.3	7.6	7.8	-	-	-	160	6.1	6.8	7.0	5.5	-	-
160	6.1	6.8	7.0	-	-	-	168	5.0	5.9	6.1	4.6	-	-
168	5.0	5.9	6.1	-	-	-	176	3.9	4.8	5.0	3.7	-	-
176	3.9	4.8	5.0	-	-	-	184	3.1	3.7	4.0	3.0	-	-
184	3.1	3.7	4.0	-	-	-							

71,900 lb		26.70 ft x 24.60 ft		360°		85%					
40.7 ft											
37.4 ft				68.9 ft							
0°		20°		40°		0°		20°		40°	
ft	1,000 lb										
10	41.2	-	-	22.2	-	-	-	-	-	-	-
12	41.2	-	-	22.0	-	-	-	-	-	-	-
14	41.2	-	-	21.9	-	-	-	-	-	-	-
16	41.2	-	-	21.7	-	-	-	-	-	-	-
18	41.2	34.8	-	21.4	-	-	-	-	-	-	-
20	41.2	31.9	-	21.1	-	-	-	-	-	-	-
24	41.2	29.5	-	20.5	-	-	-	-	-	-	-
28	39.6	27.5	-	19.7	-	-	-	-	-	-	-
32	35.8	25.8	22.5	18.9	-	-	-	-	-	-	-
36	32.7	24.3	21.5	17.9	-	-	-	-	-	-	-
40	29.9	21.7	20.6	16.8	13.6	-	-	-	-	-	-
48	25.7	19.9	19.3	14.9	12.3	-	-	-	-	-	-
56	22.3	18.7	18.6	13.2	11.2	9.7	-	-	-	-	-
64	19.8	-	-	11.7	10.3	9.1	-	-	-	-	-
72	-	-	-	10.6	9.5	8.6	-	-	-	-	-
80	-	-	-	9.8	9.0	8.3	-	-	-	-	-
88	-	-	-	9.1	8.5	8.2	-	-	-	-	-
96	-	-	-	8.5	8.2	-	-	-	-	-	-

121.4 ft											
37.4 ft				68.9 ft							
0°		20°		40°		0°		20°		40°	
ft	1,000 lb										
24	39.0	-	-	-	-	-	-	-	-	-	-
28	38.6	-	-	16.6	-	-	-	-	-	-	-
32	38.2	-	-	16.4	-	-	-	-	-	-	-
36	37.7	-	-	16.1	-	-	-	-	-	-	-
40	37.2	29.2	-	15.9	-	-	-	-	-	-	-
48	35.6	27.3	21.4	15.5	-	-	-	-	-	-	-
56	33.0	25.5	20.6	15.1	12.8	-	-	-	-	-	-
64	30.1	23.9	20.0	14.7	12.1	-	-	-	-	-	-
72	27.4	22.5	19.4	14.1	11.5	-	-	-	-	-	-
80	24.7	21.2	18.9	13.8	10.9	9.0	-	-	-	-	-
88	21.4	20.1	18.3	13.3	10.4	8.7	-	-	-	-	-
96	18.2	18.8	17.8	12.7	9.9	8.5	-	-	-	-	-
104	15.8	16.5	16.9	12.0	9.5	8.4	-	-	-	-	-
112	14.0	14.4	15.1	11.2	9.2	8.2	-	-	-	-	-
120	12.6	12.7	12.7	10.6	9.0	8.1	-	-	-	-	-
128	11.0	11.6	7.6	10.0	8.7	7.9	-	-	-	-	-
136	9.6	9.8	-	9.0	8.4	7.9	-	-	-	-	-
144	9.1	8.8	-	8.2	8.2	7.9	-	-	-	-	-
152	5.9	-	-	7.6	7.5	7.8	-	-	-	-	-
160	-	-	-	6.5	6.9	4.7	-	-	-	-	-
168	-	-	-	5.9	4.3	-	-	-	-	-	-
176	-	-	-	5.6	3.8	-	-	-	-	-	-

202.1 ft											
37.4 ft				68.9 ft							
0°		20°		40°		0°		20°		40°	
ft	1,000 lb										
48	13.2	-	-	-	-	-	-	-	-	-	-
56	13.2	-	-	7.7	-	-	-	-	-	-	-
64	13.2	-	-	7.7	-	-	-	-	-	-	-
72	13.2	-	-	7.7	-	-	-	-	-	-	-
80	13.2	13.2	-	7.7	-	-	-	-	-	-	-
88	13.2	13.2	13.2	7.7	-	-	-	-	-	-	-
96	13.2	13.2	13.2	7.7	7.7	-	-	-	-	-	-
104	12.5	13.2	13.2	7.7	7.7	-	-	-	-	-	-
112	11.1	12.0	12.5	7.7	7.7	7.5	-	-	-	-	-
120	9.3	10.3	11.2	7.5	7.7	7.5	-	-	-	-	-
128	7.7	9.0	9.6	6.5	7.7	7.5	-	-	-	-	-
136	6.4	7.6	8.3	5.5	7.1	7.5	-	-	-	-	-
144	5.1	6.0	6.9	4.5	6.2	7.5	-	-	-	-	-
152	4.0	4.9	5.6	3.4	5.1	6.5	-	-	-	-	-
160	3.0	3.9	4.3	-	4.2	5.6	-	-	-	-	-
168	-	-	-	-	3.3	4.5	-	-	-	-	-
176	-	-	-	-	2.3	3.5	-	-	-	-	-

223.1 ft											
37.4 ft				68.9 ft							
0°		20°		40°		0°		20°		40°	
ft	1,000 lb										
56	9.5	-	-	-	-	-	-	-	-	-	-
64	9.5	-	-	-	-	-	-	-	-	-	-
72	9.5	-	-	5.7	-	-	-	-	-	-	-
80	9.5	9.5	-	5.7	-	-	-	-	-	-	-
88	9.5	9.5	-	5.7	-	-	-	-	-	-	-
96	9.5	9.5	9.5	5.7	-	-	-	-	-	-	-
104	9.5	9.5	9.5	5.7	-	-	-	-	-	-	-
112	9.4	9.5	9.5	5.7	-	-	-	-	-	-	-
120	7.6	9.1	9.4	5.7	-	-	-	-	-	-	-
128	6.1	7.5	8.6	5.2	-	-	-	-	-	-	-
136	4.7	6.0	7.1	3.8	-	-	-	-	-	-	-
144	3.6	4.7	5.8	2.7	-	-	-	-	-	-	-
152	-	3.6	4.5	-	-	-	-	-	-	-	-
160	-	2.6	3.4	-	-	-	-	-	-	-	-

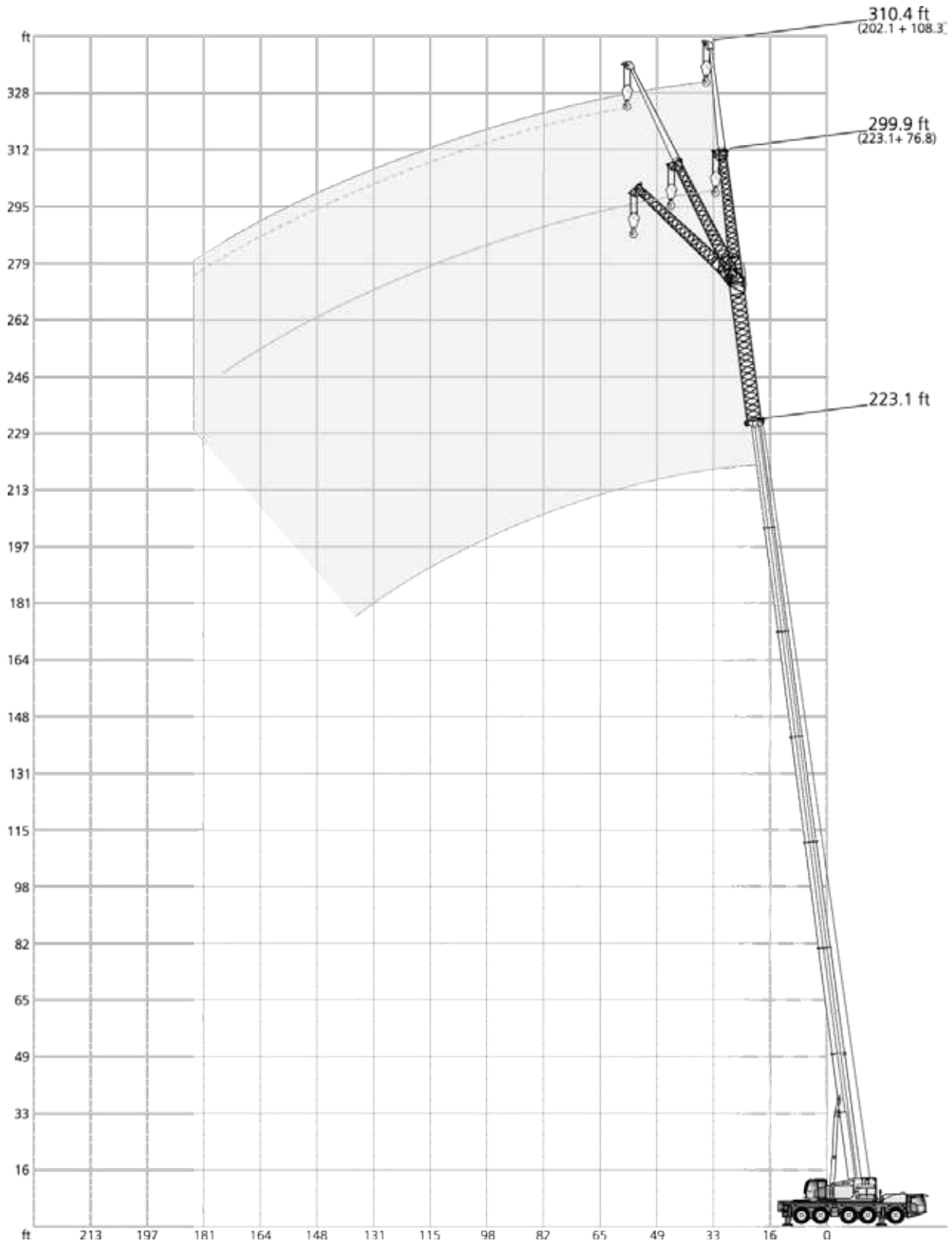
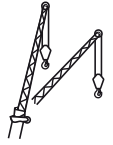
56,000 lb		26.70 ft x 24.60 ft		360°		85%	
40.7 ft				121.4 ft			
		37.4 ft		68.9 ft			
		0°	20°	40°	0°	20°	40°
ft	1,000 lb			1,000 lb			ft
10	41.2	-	-	22.2	-	-	24
12	41.2	-	-	22.0	-	-	28
14	41.2	-	-	21.9	-	-	32
16	41.2	-	-	21.7	-	-	36
18	41.2	-	-	21.4	-	-	40
20	41.2	34.8	-	21.1	-	-	48
24	41.2	31.9	-	20.5	-	-	56
28	39.6	29.5	-	19.7	-	-	64
32	35.8	27.5	22.5	18.9	-	-	72
36	32.7	25.8	21.5	17.9	-	-	80
40	29.9	24.3	20.6	16.8	13.6	-	88
48	25.7	21.7	19.3	14.9	12.3	-	96
56	22.3	19.9	18.6	13.2	11.2	9.7	104
64	19.8	18.7	-	11.7	10.3	9.1	112
72	-	-	-	10.6	9.5	8.6	120
80	-	-	-	9.8	9.0	8.3	128
88	-	-	-	9.1	8.5	8.2	136
96	-	-	-	8.5	8.2	-	144
							152
							160
							168
							176

202.1 ft				223.1 ft			
		37.4 ft		68.9 ft			
		0°	20°	40°	0°	20°	40°
ft	1,000 lb			1,000 lb			ft
48	13.2	-	-	-	-	-	56
56	13.2	-	-	7.7	-	-	64
64	13.2	-	-	7.7	-	-	72
72	13.2	-	-	7.7	-	-	80
80	13.2	13.2	-	7.7	-	-	88
88	12.8	13.2	13.2	7.7	-	-	96
96	11.0	12.5	13.2	7.7	7.7	-	104
104	9.3	10.9	11.9	7.5	7.7	-	112
112	7.6	9.2	10.3	6.5	7.7	7.5	120
120	6.0	7.3	8.4	5.0	7.1	7.5	128
128	4.6	5.8	6.9	3.7	6.1	7.4	136
136	3.5	4.7	5.6	2.7	4.7	6.5	144
144	2.5	3.6	4.2	-	3.6	5.4	152
152	-	-	3.2	-	-	4.3	160
160	-	-	-	-	-	3.2	

202.1 ft				223.1 ft			
		37.4 ft		68.9 ft			
		0°	20°	40°	0°	20°	40°
ft	1,000 lb			1,000 lb			ft
56	9.5	-	-	-	-	-	64
64	9.5	-	-	-	-	-	72
72	9.5	-	-	5.7	-	-	80
80	9.5	9.5	-	5.7	-	-	88
88	9.5	9.5	-	5.7	-	-	96
96	9.2	9.5	9.5	5.7	-	-	104
104	7.5	9.1	9.5	5.7	-	-	112
112	5.9	7.4	8.9	4.8	-	-	120
120	4.3	5.8	7.1	3.2	-	-	128
128	3.0	4.3	5.5	-	-	-	136
136	-	3.1	4.2	-	-	-	144
144	-	-	2.9	-	-	-	

HAV-VA

AC 160-5



101,400 lb								26.70 ft x 24.60 ft				360°				85%			
40.7 ft								121.4 ft											
76.8 ft				108.3 ft				76.8 ft				108.3 ft							
		0°		20°		40°		0°		20°		40°		0°		20°		40°	
ft																			
16		38.0	-	-	-	-	-	-	-	-	-	-	-	-	-	-	-	-	-
18		36.5	-	-	-	-	-	-	-	-	-	-	-	-	-	-	-	-	-
20		35.0	-	-	-	17.2	-	-	-	-	-	-	-	-	-	-	-	-	-
24		32.0	-	-	-	16.8	-	-	-	-	-	-	-	-	-	-	-	-	-
28		28.8	-	-	-	16.4	-	-	-	-	-	-	-	-	-	-	-	-	-
32		25.9	22.4	-	-	16.1	-	-	-	-	-	-	-	-	-	-	-	-	-
36		23.6	20.7	-	-	15.9	-	-	-	-	-	-	-	-	-	-	-	-	-
40		21.5	19.0	17.5	-	15.5	-	-	-	-	-	-	-	-	-	-	-	-	-
48		18.0	16.6	15.4	14.1	13.0	-	-	-	-	-	-	-	-	-	-	-	-	-
56		15.6	14.4	13.7	12.5	11.5	-	-	-	-	-	-	-	-	-	-	-	-	-
64		13.6	12.8	12.4	11.1	10.2	-	-	-	-	-	-	-	-	-	-	-	-	-
72		12.2	11.5	11.1	9.9	9.1	-	-	-	-	-	-	-	-	-	-	-	-	-
80		10.9	10.4	10.2	8.9	8.3	-	-	-	-	-	-	-	-	-	-	-	-	-
88		9.8	9.4	9.4	7.9	7.4	-	-	-	-	-	-	-	-	-	-	-	-	-
96		8.8	8.8	-	7.1	6.6	-	-	-	-	-	-	-	-	-	-	-	-	-
104		8.2	8.2	-	6.5	6.0	-	-	-	-	-	-	-	-	-	-	-	-	-
112		-	-	-	5.7	5.5	-	-	-	-	-	-	-	-	-	-	-	-	-
120		-	-	-	5.2	5.2	-	-	-	-	-	-	-	-	-	-	-	-	-
128		-	-	-	5.0	4.7	-	-	-	-	-	-	-	-	-	-	-	-	-
136		-	-	-	4.5	-	-	-	-	-	-	-	-	-	-	-	-	-	-
36		21.4	-	-	-	-	-	-	-	-	-	-	-	-	-	-	-	-	-
40		21.1	-	-	-	11.9	-	-	-	-	-	-	-	-	-	-	-	-	-
48		20.8	-	-	-	11.8	-	-	-	-	-	-	-	-	-	-	-	-	-
56		19.9	17.7	-	-	11.6	-	-	-	-	-	-	-	-	-	-	-	-	-
64		18.7	16.4	14.5	-	11.3	-	-	-	-	-	-	-	-	-	-	-	-	-
72		17.4	15.0	13.7	11.0	10.2	-	-	-	-	-	-	-	-	-	-	-	-	-
80		16.1	14.0	12.9	10.7	9.6	-	-	-	-	-	-	-	-	-	-	-	-	-
88		14.8	13.2	12.2	10.1	8.9	-	-	-	-	-	-	-	-	-	-	-	-	-
96		13.8	12.4	11.5	9.4	8.3	-	-	-	-	-	-	-	-	-	-	-	-	-
104		12.9	11.6	10.9	8.9	7.8	-	-	-	-	-	-	-	-	-	-	-	-	-
112		12.1	11.0	10.3	8.3	7.3	-	-	-	-	-	-	-	-	-	-	-	-	-
120		11.3	10.5	10.0	7.9	6.9	-	-	-	-	-	-	-	-	-	-	-	-	-
128		10.6	9.9	9.6	7.5	6.5	-	-	-	-	-	-	-	-	-	-	-	-	-
136		10.0	9.4	9.2	7.0	6.2	-	-	-	-	-	-	-	-	-	-	-	-	-
144		9.5	9.1	8.8	6.6	5.8	-	-	-	-	-	-	-	-	-	-	-	-	-
152		9.0	8.6	8.5	6.1	5.5	-	-	-	-	-	-	-	-	-	-	-	-	-
160		8.3	8.3	5.6	5.8	5.2	-	-	-	-	-	-	-	-	-	-	-	-	-
168		7.4	7.6	-	5.4	5.0	-	-	-	-	-	-	-	-	-	-	-	-	-
176		6.7	6.9	-	5.1	4.9	-	-	-	-	-	-	-	-	-	-	-	-	-
184		2.6	2.7	-	4.8	4.6	-	-	-	-	-	-	-	-	-	-	-	-	-
192		-	-	-	4.6	4.4	-	-	-	-	-	-	-	-	-	-	-	-	-
200		-	-	-	4.3	4.2	-	-	-	-	-	-	-	-	-	-	-	-	-
208		-	-	-	4.0	-	-	-	-	-	-	-	-	-	-	-	-	-	-
216		-	-	-	3.6	-	-	-	-	-	-	-	-	-	-	-	-	-	-

202.1 ft							
76.8 ft				108.3 ft			
		0°		20°		40°	
ft							
64		7.5	-	-	-	-	-
72		7.5	-	-	3.7	-	-
80		7.5	7.3	-	3.7	-	-
88		7.5	7.3	6.4	3.7	-	-
96		7.5	7.3	6.3	3.7	-	-
104		7.5	7.3	6.2	3.7	3.7	-
112		7.5	7.3	6.0	3.7	3.7	-
120		7.5	7.3	6.0	3.7	3.7	-
128		7.5	7.3	5.8	3.7	3.7	-
136		7.3	7.3	5.7	3.7	3.7	-
144		6.9	6.9	5.7	3.7	3.7	-
152		6.5	6.5	5.5	3.7	3.7	-
160		5.9	6.1	5.5	3.7	3.7	-
168		5.0	5.6	5.4	3.6	3.7	-
176		4.1	4.7	5.3	3.3	3.7	-
184		3.5	3.8	4.4	-	3.5	-
192		-	3.2	3.4	-	-	-
200		-	2.7	2.9	-	-	-

223.1 ft							
76.8 ft							
		0°		20°		40°	
ft							
72		4.9	-	-	-	-	-
80		4.9	-	-	-	-	-
88		4.9	-	-	-	-	-
96		4.9	-	-	-	-	-
104		4.9	-	-	-	-	-
112		4.9	-	-	-	-	-
120		4.9	-	-	-	-	-
128		4.9	-	-	-	-	-
136		4.9	-	-	-	-	-
144		4.9	-	-	-	-	-
152		4.9	-	-	-	-	-
160		4.8	-	-	-	-	-
168		4.2	-	-	-	-	-
176		3.2	-	-	-	-	-

71,900 lb								26.70 ft x 24.60 ft								360°								85%											
40.7 ft																121.4 ft																			
76.8 ft								108.3 ft								76.8 ft								108.3 ft											
0°				20°				40°				0°				20°				40°				0°				20°				40°			
ft																ft																			
1,000 lb																1,000 lb																			
16	38.0	-	-	-	-	-	-	-	-	-	-	-	-	-	-	36	21.4	-	-	-	-	-	-	-	-	-	-	-	-	-					
18	36.5	-	-	-	-	-	-	-	-	-	-	-	-	-	-	40	21.1	-	-	11.9	-	-	-	-	-	-	-	-	-	-					
20	35.0	-	-	-	-	-	17.2	-	-	-	-	-	-	-	48	20.8	-	-	11.8	-	-	-	-	-	-	-	-	-	-	-					
24	32.0	-	-	-	-	16.8	-	-	-	-	-	-	-	56	19.9	17.7	-	-	11.6	-	-	-	-	-	-	-	-	-	-	-					
28	28.8	-	-	-	-	16.4	-	-	-	-	-	-	-	64	18.7	16.4	14.5	-	11.3	-	-	-	-	-	-	-	-	-	-	-					
32	25.9	22.4	-	-	-	16.1	-	-	-	-	-	-	-	72	17.4	15.0	13.7	-	11.0	10.2	-	-	-	-	-	-	-	-	-	-					
36	23.6	20.7	-	-	-	15.9	-	-	-	-	-	-	-	80	16.1	14.0	12.9	-	10.7	9.6	-	-	-	-	-	-	-	-	-	-					
40	21.5	19.0	17.5	-	-	15.5	-	-	-	-	-	-	-	88	14.8	13.2	12.2	-	10.1	8.9	-	-	-	-	-	-	-	-	-	-					
48	18.0	16.6	15.4	14.1	13.0	-	-	-	-	-	-	-	-	96	13.8	12.4	11.5	-	9.4	8.3	-	-	-	-	-	-	-	-	-	-					
56	15.6	14.4	13.7	12.5	11.5	-	-	-	-	-	-	-	-	104	12.9	11.6	10.9	-	8.9	7.8	-	-	-	-	-	-	-	-	-	-					
64	13.6	12.8	12.4	11.1	10.2	-	-	-	-	-	-	-	-	112	12.1	11.0	10.3	-	8.3	7.3	-	-	-	-	-	-	-	-	-	-					
72	12.2	11.5	11.1	9.9	9.1	-	-	-	-	-	-	-	-	120	11.2	10.5	10.0	-	7.9	6.9	-	-	-	-	-	-	-	-	-	-					
80	10.9	10.4	10.2	8.9	8.3	-	-	-	-	-	-	-	-	128	10.2	9.8	9.6	-	7.5	6.5	-	-	-	-	-	-	-	-	-	-					
88	9.8	9.4	9.4	7.9	7.4	-	-	-	-	-	-	-	-	136	8.7	9.2	9.1	-	7.0	6.2	-	-	-	-	-	-	-	-	-	-					
96	8.8	8.8	-	7.1	6.6	-	-	-	-	-	-	-	-	144	7.3	8.0	8.4	-	6.6	5.8	-	-	-	-	-	-	-	-	-	-					
104	8.2	8.2	-	6.5	6.0	-	-	-	-	-	-	-	-	152	6.6	6.9	7.1	-	6.1	5.5	-	-	-	-	-	-	-	-	-	-					
112	-	-	-	5.7	5.5	-	-	-	-	-	-	-	-	160	6.1	6.1	5.6	-	5.4	5.2	-	-	-	-	-	-	-	-	-	-					
120	-	-	-	5.2	5.2	-	-	-	-	-	-	-	-	168	5.1	5.5	-	-	4.8	4.9	-	-	-	-	-	-	-	-	-	-					
128	-	-	-	5.0	4.7	-	-	-	-	-	-	-	-	176	4.7	4.7	-	-	4.3	4.5	-	-	-	-	-	-	-	-	-	-					
136	-	-	-	4.5	-	-	-	-	-	-	-	-	-	184	2.6	2.7	-	-	3.5	4.0	-	-	-	-	-	-	-	-	-	-					
														192	-	-	-	-	3.0	3.4	-	-	-	-	-	-	-	-	-	-					
														200	-	-	-	-	2.6	3.0	-	-	-	-	-	-	-	-	-	-					

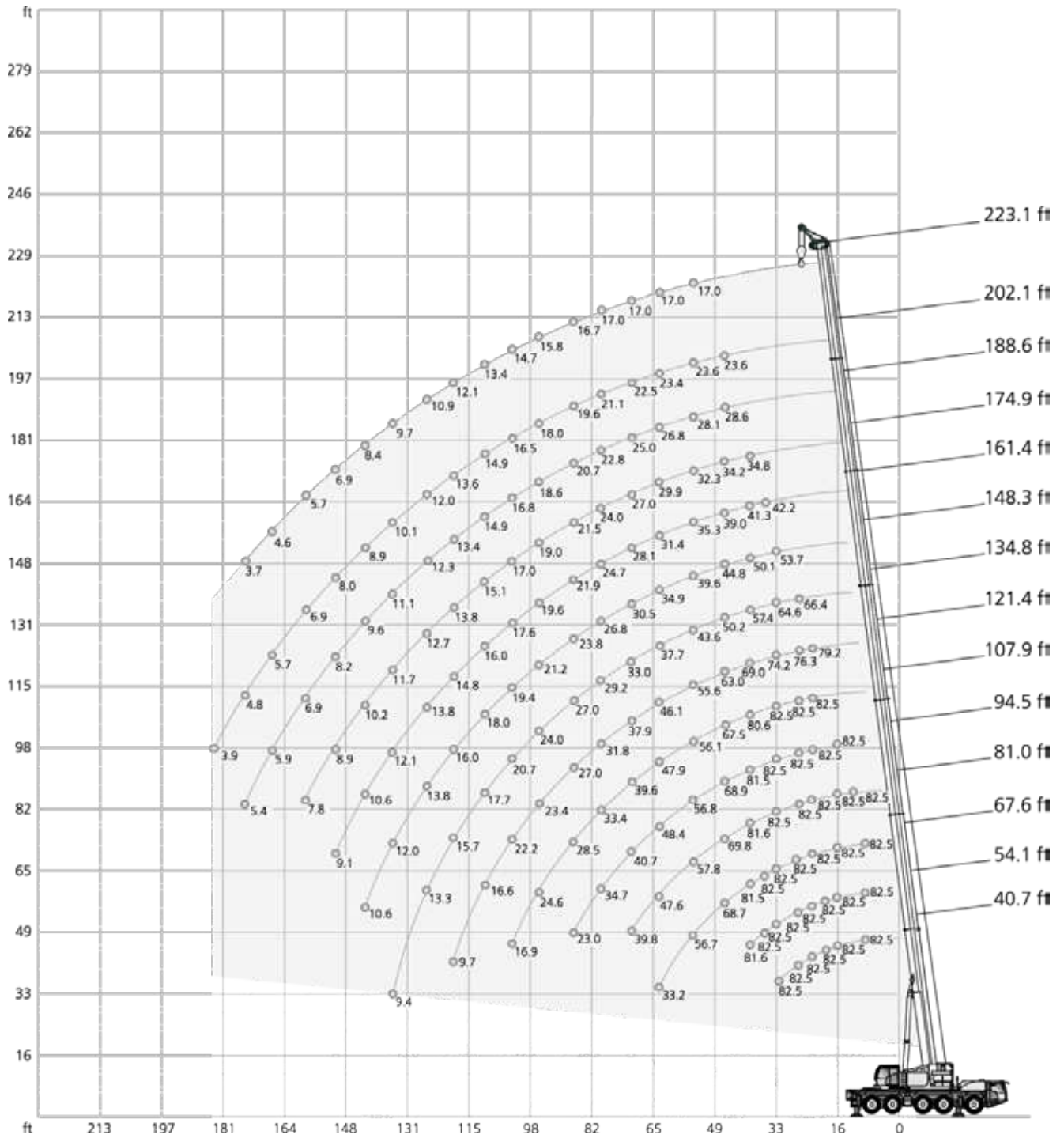
202.1 ft																							
76.8 ft								108.3 ft															
0°				20°				40°				0°				20°				40°			
ft																							
1,000 lb																							
64	7.5	-	-	-	-	-	-	-	-	-	-	-	-	-	-								
72	7.5	-	-	-	-	3.7	-	-	-	-	-	-	-	-	-								
80	7.5	7.3	-	-	-	3.7	-	-	-	-	-	-	-	-	-								
88	7.5	7.3	6.4	-	-	3.7	-	-	-	-	-	-	-	-	-								
96	7.5	7.3	6.3	-	-	3.7	-	-	-	-	-	-	-	-	-								
104	7.5	7.3	6.2	-	-	3.7	3.7	-	-	-	-	-	-	-	-								
112	7.5	7.3	6.0	-	-	3.7	3.7	-	-	-	-	-	-	-	-								
120	7.2	7.3	6.0	-	-	3.7	3.7	-	-	-	-	-	-	-	-								
128	6.1	6.9	5.8	-	-	3.7	3.7	-	-	-	-	-	-	-	-								
136	4.9	6.0	5.7	-	-	3.3	3.7	-	-	-	-	-	-	-	-								
144	3.8	4.9	5.5	-	-	2.3	3.7	-	-	-	-	-	-	-	-								
152	2.8	3.9	4.7	-	-	-	3.4	-	-	-	-	-	-	-	-								
160	-	3.0	3.7	-	-	-	-	-	-	-	-	-	-	-	-								

223.1 ft															
76.8 ft															
0°				20°				40°							
ft															
1,000 lb															
72	4.9	-	-	-	-	-	-	-	-	-	-	-	-	-	-
80	4.9	-	-	-	-	-	-	-	-	-	-	-	-	-	-
88	4.9	-	-	-	-	-	-	-	-	-	-	-	-	-	-
96	4.9	-	-	-	-	-	-	-	-	-	-	-	-	-	-
104	4.9	-	-	-	-	-	-	-	-	-	-	-	-	-	-
112	4.9	-	-	-	-	-	-	-	-	-	-	-	-	-	-
120	4.9	-	-	-	-	-	-	-	-	-	-	-	-	-	-
128	4.4	-	-	-	-	-	-	-	-	-	-	-	-	-	-
136	3.3	-	-	-	-	-	-	-	-	-	-	-	-	-	-

56,000 lb		26.70 ft x 24.60 ft		360°		85%	
40.7 ft				121.4 ft			
		76.8 ft			108.3 ft		
		0°	20°	40°	0°	20°	40°
ft	1,000 lb						
16	38.0	-	-	-	-	-	-
18	36.5	-	-	-	-	-	-
20	35.0	-	-	17.2	-	-	-
24	32.0	-	-	16.8	-	-	-
28	28.8	-	-	16.4	-	-	-
32	25.9	22.4	-	16.1	-	-	-
36	23.6	20.7	-	15.9	-	-	-
40	21.5	19.0	17.5	15.5	-	-	-
48	18.0	16.6	15.4	14.1	13.0	-	-
56	15.6	14.4	13.7	12.5	11.5	-	-
64	13.6	12.8	12.4	11.1	10.2	-	-
72	12.2	11.5	11.1	9.9	9.1	-	-
80	10.9	10.4	10.2	8.9	8.3	-	-
88	9.8	9.4	9.4	7.9	7.4	-	-
96	8.8	8.8	-	7.1	6.6	-	-
104	8.2	8.2	-	6.5	6.0	-	-
112	-	-	-	5.7	5.5	-	-
120	-	-	-	5.2	5.2	-	-
128	-	-	-	5.0	4.7	-	-
136	-	-	-	4.5	-	-	-
36	21.4	-	-	-	-	-	-
40	21.1	-	-	11.9	-	-	-
48	20.8	-	-	11.8	-	-	-
56	19.9	17.7	-	11.6	-	-	-
64	18.7	16.4	14.5	11.3	-	-	-
72	17.4	15.0	13.7	11.0	10.2	-	-
80	16.1	14.0	12.9	10.7	9.6	-	-
88	14.8	13.2	12.2	10.1	8.9	-	-
96	13.8	12.4	11.5	9.4	8.3	-	-
104	12.7	11.6	10.9	8.9	7.8	-	-
112	10.9	10.9	10.3	8.3	7.3	-	-
120	9.6	10.0	9.9	7.8	6.9	-	-
128	8.3	8.9	9.0	7.3	6.5	-	-
136	7.2	7.6	8.0	6.7	6.2	-	-
144	6.4	6.6	6.8	5.8	5.8	-	-
152	5.5	5.8	6.0	5.0	5.5	-	-
160	5.0	5.1	5.0	4.4	5.0	-	-
168	4.2	4.5	-	3.6	4.1	-	-
176	3.8	3.8	-	3.1	3.6	-	-
184	2.6	2.7	-	2.6	3.0	-	-

202.1 ft		76.8 ft			108.3 ft		
		0°	20°	40°	0°	20°	40°
ft	1,000 lb						
64	7.5	-	-	-	-	-	-
72	7.5	-	-	3.7	-	-	-
80	7.5	7.3	-	3.7	-	-	-
88	7.5	7.3	6.4	3.7	-	-	-
96	7.5	7.3	6.3	3.7	-	-	-
104	7.1	7.3	6.2	3.7	3.7	-	-
112	5.9	7.2	6.0	3.7	3.7	-	-
120	4.5	5.9	6.0	-	3.7	-	-
128	3.2	4.5	5.4	-	3.6	-	-
136	-	3.3	4.4	-	2.9	-	-
144	-	2.3	3.1	-	-	-	-

223.1 ft		76.8 ft		
		0°	20°	40°
ft	1,000 lb			
72	4.9	-	-	-
80	4.9	-	-	-
88	4.9	-	-	-
96	4.9	-	-	-
104	4.9	-	-	-
112	4.1	-	-	-



101,400 lb		26.70 ft x 24.60 ft														360°		85%	
ft		(ft)														ft			
ft		40.7	54.1	67.6	81.0	94.5	107.9	121.4	134.8	148.3	161.4	174.9	188.6	202.1	223.1	ft			
		1,000 lb																	
10		82.5	82.5	82.5	-	-	-	-	-	-	-	-	-	-	-	-	10		
12		82.5	82.5	82.5	82.5	-	-	-	-	-	-	-	-	-	-	-	12		
14		82.5	82.5	82.5	82.5	-	-	-	-	-	-	-	-	-	-	-	14		
16		82.5	82.5	82.5	82.5	82.5	-	-	-	-	-	-	-	-	-	-	16		
18		82.5	82.5	82.5	82.5	82.5	-	-	-	-	-	-	-	-	-	-	18		
20		82.5	82.5	82.5	82.5	82.5	82.5	-	-	-	-	-	-	-	-	-	20		
24		82.5	82.5	82.5	82.5	82.5	82.5	79.2	-	-	-	-	-	-	-	-	24		
28		82.5	82.5	82.5	82.5	82.5	82.5	76.3	66.4	-	-	-	-	-	-	-	28		
32		82.5	82.5	82.5	82.5	82.5	82.5	74.2	64.6	53.7	-	-	-	-	-	-	32		
36		-	82.5	82.5	82.5	82.5	82.0	71.7	61.2	52.1	42.2	-	-	-	-	-	36		
40		-	81.6	81.5	81.6	81.5	80.6	69.0	57.4	50.1	41.3	34.8	-	-	-	-	40		
48		-	-	68.7	69.8	68.9	67.5	63.0	50.2	44.8	39.0	34.2	28.6	23.6	-	-	48		
56		-	-	56.7	57.8	56.8	56.1	55.6	43.6	39.6	35.3	32.3	28.1	23.6	17.0	-	56		
64		-	-	33.2	47.6	48.4	47.9	46.1	37.7	34.9	31.4	29.9	26.8	23.4	17.0	-	64		
72		-	-	-	39.8	40.7	39.6	37.9	33.0	30.5	28.1	27.0	25.0	22.5	17.0	-	72		
80		-	-	-	-	34.7	33.4	31.8	29.2	26.8	24.7	24.0	22.8	21.1	17.0	-	80		
88		-	-	-	-	23.0	28.5	27.0	27.0	23.8	21.9	21.5	20.7	19.6	16.7	-	88		
96		-	-	-	-	-	24.6	23.4	24.0	21.2	19.6	19.0	18.6	18.0	15.8	-	96		
104		-	-	-	-	-	16.9	22.2	20.7	19.4	17.6	17.0	16.8	16.5	14.7	-	104		
112		-	-	-	-	-	-	16.6	17.7	18.0	16.0	15.1	14.9	14.9	13.4	-	112		
120		-	-	-	-	-	-	9.7	15.7	16.0	14.8	13.8	13.4	13.6	12.1	-	120		
128		-	-	-	-	-	-	-	13.3	13.8	13.8	12.7	12.3	12.0	10.9	-	128		
136		-	-	-	-	-	-	-	9.4	12.0	12.1	11.7	11.1	10.1	9.7	-	136		
144		-	-	-	-	-	-	-	-	10.6	10.6	10.2	9.6	8.9	8.4	-	144		
152		-	-	-	-	-	-	-	-	-	9.1	8.9	8.2	8.0	6.9	-	152		
160		-	-	-	-	-	-	-	-	-	-	7.8	6.9	6.9	5.7	-	160		
168		-	-	-	-	-	-	-	-	-	-	-	5.9	5.7	4.6	-	168		
176		-	-	-	-	-	-	-	-	-	-	-	5.4	4.8	3.7	-	176		
184		-	-	-	-	-	-	-	-	-	-	-	-	3.9	-	-	184		
1)		39.0	29.1	22.9	18.1	14.6	11.5	9.0	6.8	4.9	3.7	-	-	-	-	-	1)		

1) Capacities with horizontal boom

71,900 lb		26.70 ft x 24.60 ft														360°		85%	
		(ft)																	
		40.7	54.1	67.6	81.0	94.5	107.9	121.4	134.8	148.3	161.4	174.9	188.6	202.1	223.1				
ft		1,000 lb														ft			
10		82.5	82.5	82.5	-	-	-	-	-	-	-	-	-	-	-	-	10		
12		82.5	82.5	82.5	82.5	-	-	-	-	-	-	-	-	-	-	-	12		
14		82.5	82.5	82.5	82.5	-	-	-	-	-	-	-	-	-	-	-	14		
16		82.5	82.5	82.5	82.5	82.5	-	-	-	-	-	-	-	-	-	-	16		
18		82.5	82.5	82.5	82.5	82.5	-	-	-	-	-	-	-	-	-	-	18		
20		82.5	82.5	82.5	82.5	82.5	82.5	-	-	-	-	-	-	-	-	-	20		
24		82.5	82.5	82.5	82.5	82.5	82.5	79.2	-	-	-	-	-	-	-	-	24		
28		82.5	82.5	82.5	82.5	82.5	82.5	76.3	66.4	-	-	-	-	-	-	-	28		
32		82.5	82.5	82.5	82.5	82.5	82.5	74.2	64.6	53.7	-	-	-	-	-	-	32		
36		-	81.5	81.0	81.5	81.1	79.3	71.7	61.2	52.1	42.2	-	-	-	-	-	36		
40		-	78.7	77.6	78.8	77.8	74.5	68.6	57.4	50.1	41.3	34.8	-	-	-	-	40		
48		-	-	59.2	58.7	57.4	58.7	57.0	50.2	44.8	39.0	34.2	28.6	23.6	-	-	48		
56		-	-	45.9	47.3	47.1	45.9	43.9	42.2	39.6	35.3	32.3	28.1	23.6	17.0	-	56		
64		-	-	30.1	38.5	37.8	36.7	34.7	34.4	33.0	31.4	29.9	26.8	23.4	17.0	-	64		
72		-	-	-	31.7	31.0	29.9	29.6	29.2	27.3	27.0	26.5	25.0	22.5	17.0	-	72		
80		-	-	-	-	26.0	25.2	25.8	24.2	24.0	22.6	22.6	22.3	21.1	17.0	-	80		
88		-	-	-	-	16.0	22.8	22.0	21.0	20.8	20.0	19.4	19.2	18.9	16.7	-	88		
96		-	-	-	-	-	19.9	18.6	18.8	17.3	17.5	17.0	16.4	15.7	14.8	-	96		
104		-	-	-	-	-	13.8	16.3	16.2	15.8	14.9	14.8	13.6	13.5	12.2	-	104		
112		-	-	-	-	-	-	10.5	14.0	14.0	13.3	12.7	12.0	11.3	10.0	-	112		
120		-	-	-	-	-	-	9.7	12.5	11.9	11.5	11.0	10.6	9.3	8.2	-	120		
128		-	-	-	-	-	-	-	10.0	10.4	9.7	9.8	8.8	7.5	6.4	-	128		
136		-	-	-	-	-	-	-	9.4	9.3	8.3	8.3	7.4	6.0	4.9	-	136		
144		-	-	-	-	-	-	-	-	5.8	7.5	7.1	6.0	4.7	3.6	-	144		
152		-	-	-	-	-	-	-	-	-	4.7	5.8	4.9	3.6	-	-	152		
160		-	-	-	-	-	-	-	-	-	-	5.0	3.9	-	-	-	160		
1)		39.0	29.1	22.9	18.1	14.6	11.5	9.0	6.8	4.9	3.7	-	-	-	-	-	1)		

1) Capacities with horizontal boom

56,000 lb		26.70 ft x 24.60 ft														360°		85%	
		(ft)																	
		1,000 lb																	
ft		40.7	54.1	67.6	81.0	94.5	107.9	121.4	134.8	148.3	161.4	174.9	188.6	202.1	223.1	ft			
10		82.5	82.5	82.5	-	-	-	-	-	-	-	-	-	-	-	10			
12		82.5	82.5	82.5	82.5	-	-	-	-	-	-	-	-	-	-	12			
14		82.5	82.5	82.5	82.5	-	-	-	-	-	-	-	-	-	-	14			
16		82.5	82.5	82.5	82.5	82.5	-	-	-	-	-	-	-	-	-	16			
18		82.5	82.5	82.5	82.5	82.5	-	-	-	-	-	-	-	-	-	18			
20		82.5	82.5	82.5	82.5	82.5	82.5	-	-	-	-	-	-	-	-	20			
24		82.5	82.5	82.5	82.5	82.5	82.5	79.2	-	-	-	-	-	-	-	24			
28		82.5	82.5	82.5	82.5	82.5	82.5	76.3	66.4	-	-	-	-	-	-	28			
32		82.5	82.5	82.5	82.5	82.5	82.5	74.2	64.6	53.7	-	-	-	-	-	32			
36		-	76.2	76.6	76.3	75.7	73.8	69.2	61.2	52.1	42.2	-	-	-	-	36			
40		-	68.1	68.8	68.3	67.0	65.8	63.2	57.1	50.1	41.3	34.8	-	-	-	40			
48		-	-	50.8	52.4	51.9	50.6	48.6	46.2	43.5	38.9	34.2	28.6	23.6	-	48			
56		-	-	40.7	40.7	40.1	39.0	37.6	37.0	35.5	33.5	31.5	28.1	23.6	17.0	56			
64		-	-	24.0	32.6	31.9	30.8	31.4	30.1	29.0	28.1	27.5	25.8	23.4	17.0	64			
72		-	-	-	26.6	25.9	27.0	25.9	24.7	24.8	23.9	23.4	23.2	21.7	17.0	72			
80		-	-	-	-	22.9	22.6	21.5	21.9	20.7	20.4	20.6	19.2	18.5	16.5	80			
88		-	-	-	-	14.4	19.1	19.1	18.3	18.2	17.6	17.0	16.6	15.2	13.3	88			
96		-	-	-	-	-	16.1	16.5	16.1	15.3	14.8	14.5	13.9	12.4	10.7	96			
104		-	-	-	-	-	13.8	14.0	14.0	13.3	12.3	12.4	11.3	10.0	8.4	104			
112		-	-	-	-	-	-	10.5	11.8	11.1	10.9	10.3	9.4	8.1	6.5	112			
120		-	-	-	-	-	-	9.7	10.2	9.4	9.5	8.4	7.6	6.2	4.9	120			
128		-	-	-	-	-	-	-	8.7	7.9	7.9	6.9	6.1	4.7	3.5	128			
136		-	-	-	-	-	-	-	7.5	6.6	6.6	5.8	4.7	3.4	-	136			
144		-	-	-	-	-	-	-	-	3.4	5.6	4.7	3.6	2.3	-	144			
152		-	-	-	-	-	-	-	-	-	-	3.6	-	-	-	152			
160		-	-	-	-	-	-	-	-	-	-	2.8	-	-	-	160			
1)		39.0	29.1	22.9	18.1	14.6	11.5	9.0	6.8	4.9	3.7	-	-	-	-	1)			

1) Capacities with horizontal boom

☰ 13,900 lb		☰ 26.70 ft x 24.60 ft														360°		85%	
📏		(ft)														📏			
ft		40.7	54.1	67.6	81.0	94.5	107.9	121.4	134.8	148.3	161.4	174.9	188.6	202.1	223.1	ft			
1,000 lb																			
10	82.5	82.5	82.5	-	-	-	-	-	-	-	-	-	-	-	-	-	10		
12	82.5	82.5	82.5	82.5	-	-	-	-	-	-	-	-	-	-	-	-	12		
14	82.5	82.5	82.5	82.5	-	-	-	-	-	-	-	-	-	-	-	-	14		
16	82.5	82.5	82.5	82.5	82.5	-	-	-	-	-	-	-	-	-	-	-	16		
18	82.5	82.5	82.5	82.5	82.5	82.5	-	-	-	-	-	-	-	-	-	-	18		
20	82.5	82.5	82.5	82.5	82.5	82.5	82.5	-	-	-	-	-	-	-	-	-	20		
24	82.5	82.5	82.5	81.3	79.4	78.8	73.1	-	-	-	-	-	-	-	-	-	24		
28	73.3	75.3	75.7	72.0	70.4	65.1	60.8	56.6	-	-	-	-	-	-	-	-	28		
32	55.4	59.0	60.3	61.6	57.8	53.8	51.2	47.9	43.7	-	-	-	-	-	-	-	32		
36	-	48.0	50.5	50.7	48.6	46.0	44.6	41.0	38.7	35.2	-	-	-	-	-	-	36		
40	-	39.1	40.7	40.9	40.5	41.0	38.1	36.9	35.0	33.1	30.9	-	-	-	-	-	40		
48	-	-	29.8	30.8	30.6	30.0	30.3	29.4	27.6	26.7	24.6	22.3	19.4	-	-	-	48		
56	-	-	22.6	23.4	23.3	23.5	23.4	22.6	21.5	20.7	18.9	16.8	14.5	12.2	-	-	56		
64	-	-	17.5	18.1	18.5	18.4	18.2	17.5	16.7	16.2	14.5	12.5	10.3	8.0	-	-	64		
72	-	-	-	14.2	14.6	14.4	14.2	13.5	12.7	12.4	10.9	8.9	6.9	4.9	-	-	72		
80	-	-	-	-	11.5	11.3	11.1	10.4	9.5	9.5	8.2	6.5	4.5	-	-	-	80		
88	-	-	-	-	9.2	9.0	8.8	8.1	7.2	7.2	6.0	4.2	-	-	-	-	88		
96	-	-	-	-	-	7.0	6.7	6.1	5.3	5.3	4.2	-	-	-	-	-	96		
104	-	-	-	-	-	5.5	5.0	4.4	3.7	3.7	2.8	-	-	-	-	-	104		
112	-	-	-	-	-	-	3.9	3.0	-	-	-	-	-	-	-	-	112		
1)	39.0	24.3	16.8	11.5	8.2	5.1	2.9	-	-	-	-	-	-	-	-	-	1)		

☰ 8,200 lb		☰ 26.70 ft x 24.60 ft														360°		85%	
📏		(ft)														📏			
ft		40.7	54.1	67.6	81.0	94.5	107.9	121.4	134.8	148.3	161.4	174.9	188.6	202.1	223.1	ft			
1,000 lb																			
10	82.5	82.5	82.5	-	-	-	-	-	-	-	-	-	-	-	-	-	10		
12	82.5	82.5	82.5	82.5	-	-	-	-	-	-	-	-	-	-	-	-	12		
14	82.5	82.5	82.5	82.5	-	-	-	-	-	-	-	-	-	-	-	-	14		
16	82.5	82.5	82.5	82.5	82.5	-	-	-	-	-	-	-	-	-	-	-	16		
18	82.5	82.5	82.5	82.5	82.5	82.5	-	-	-	-	-	-	-	-	-	-	18		
20	82.5	82.5	82.5	82.5	82.3	82.1	-	-	-	-	-	-	-	-	-	-	20		
24	80.4	81.8	80.8	79.1	77.4	74.0	68.1	-	-	-	-	-	-	-	-	-	24		
28	66.8	70.7	69.9	67.9	64.1	59.2	55.1	51.9	-	-	-	-	-	-	-	-	28		
32	49.7	53.4	56.2	55.9	52.2	49.6	47.3	44.5	40.7	-	-	-	-	-	-	-	32		
36	-	44.0	45.7	45.9	43.7	43.4	39.9	38.6	35.8	33.4	-	-	-	-	-	-	36		
40	-	35.0	36.8	36.8	38.3	36.6	35.7	34.3	32.4	29.8	27.5	-	-	-	-	-	40		
48	-	-	27.0	27.9	27.5	27.9	27.6	25.9	24.3	23.5	21.5	19.3	16.8	-	-	-	48		
56	-	-	20.0	20.8	21.1	21.2	21.0	19.9	18.6	17.9	16.2	14.1	11.8	9.5	-	-	56		
64	-	-	15.0	15.9	16.5	16.3	15.9	15.2	14.3	13.6	12.0	10.0	7.8	5.6	-	-	64		
72	-	-	-	12.0	12.6	12.4	12.2	11.5	10.7	10.2	8.7	6.9	4.7	2.7	-	-	72		
80	-	-	-	-	9.8	9.5	9.3	8.7	7.8	7.6	6.3	4.5	-	-	-	-	80		
88	-	-	-	-	7.7	7.3	7.1	6.4	5.7	5.6	4.2	-	-	-	-	-	88		
96	-	-	-	-	-	5.6	5.3	4.7	3.8	3.9	-	-	-	-	-	-	96		
104	-	-	-	-	-	4.1	3.9	3.1	-	2.4	-	-	-	-	-	-	104		
1)	34.8	21.4	14.6	9.7	6.6	4.0	-	-	-	-	-	-	-	-	-	-	1)		

1) Capacities with horizontal boom

Ratings are in compliance with ASME B30.5.
Lifting capacities do not exceed 85 % of tipping load.

Consult operation manual for further details.

Note: Data published herein is intended as a guide only and shall not be construed to warrant applicability for lifting purposes. Crane operation is subject to the computer charts and operation manual both supplied with the crane.

Basic machine

Equipment carrier

Engine 368-4; Euromot 4/Tier 4F	Scania DC13; Diesel engine; 368 kW / 2100 1/min (500 HP), torque 2373 Nm / 1300 1/min; The engine complies with Euromot 4/Tier 4F; Exhaust system complete stainless steel.
Fuel tank	Fuel tank 127 gallons Diesel (no RME / biodiesel); 16 gallons AdBlue tank.
Transmission AS12INT	ZF AS-Tronic; Automated gearbox with integrated hydraulic retarder, 12 forward speeds and 2 reverse; 1-stage transfer case with switchable longitudinal lock.
Axles 10 x 6 x 10	10 x 6 x 10; Five axles, axles 2, 4, 5 are driven and dispose of a selectable transverse lock; Axle 4 with selectable longitudinal lock; All axles steered.
Suspension	Hydropneumatic suspension with axle load compensation; Hydraulically lockable.
Steering	Dual-circuit steering system with independent rear axle steering; Axles 1, 2, 3 mechanically connected; Axles 4 and 5 electro-hydraulically connected, all axles steered with 6 different steering programs.
Brakes	Pneumatic dual circuit service brake, acting on all wheels; Disc brakes; Hydraulic retarder integrated into transmission as wear-free sustained-action brake; Additional exhaust brake; Parking brake.
Tires size 385/95 R25 (14.00R25)	Tires size 385/95 R25 (14.00R25); Steel rim 9,5-25/1,7"; Magna MA03 170F or similar.
Carrier cab 2500	S-PACE type 8.20 ft; Adjustable driver seat, armrests and pneumatic suspension; Height and tilt-adjustable steering wheel; Auxiliary / passenger seat; Powered door windows; Tinted glass; Central door locking; Electrically adjustable rear-view mirrors, heated; Preparation for radio.
Carrier heating	Engine-dependent warm water heating with 12 kW heating power.
Drive lights	Including low beams, high beams, daytime running lights.
Electronic immobilizer system	Prevents uncontrolled carrier mobilization; Incl. 3 electronic keys.
Pneumatic system adapter for inflating tires	Pneumatic system adapter for inflating tires makes it possible for operators to inflate tires by themselves.
Jump starting device	Jump starting installation designed to make it possible to jump-start using a separate source of power.
Contour safety marking	Continuous reflective strips on the sides of the chassis and on the rear.

Equipment superstructure

Telescopic boom HA68	40.7 ft - 223.1 ft; Single cylinder telescoping system, automatic telescoping; Attachments for all equipment and extensions; 4 sheaves integrated in boom head for max. capacity of 168,900 lb.
Boom luffing	1 luffing cylinder with automatic lowering brake valve.
Rotary drive	Single slewing gear unit with spring-loaded multi-disc brake; Different operating modes selectable.
H1	Hoist with spring-loaded multi-disc brake; Resolver (hoist rotation indicator); Rope twist prevention is not included.
Counterweight 71,900 lb	Counterweight 71,900 lb, 6 pieces (a-f).
Outriggers	H-4-point design; Vertical and horizontal movement fully hydraulic; 3 outrigger bases: 8.3 ft, 17.4 ft, 24.6 ft.
Outrigger pads 038PA	4 round polyamide outrigger pads A = 1.25 ft ² with transport position at vertical cylinder.
Outrigger basis monitoring	Individual monitoring of horizontal stroke; Deviation warning in crane cab.
Control system	Enabling 4 simultaneous working movements; Electric pilot controls via 2 two-axis joysticks; Different control modes selectable for hydraulic circuits.
Operator aids	IC-1, with integrated electronic load moment indicator in accordance with EN13000; Color display; Displaying of current operating conditions, load charts, fault indicator; Signal lights indicating LMI-load; Crane data logger.
Crane cab 875	S-PACE type 875; Tilt infinitely variable 16°; Sliding window rear; Fold-out front window; Extendable side pedestal, front pedestal; Handrails; Tinted safety glass; Pull-down sun visor; Preparation for radio.
Heating crane cab	Engine-independent warm water heating with 5 kW heating power.
Anemometer	Removable, to be used with all extensions.

Additional equipment

Carrier

Engine 331-3a; Euromot 3a / Tier 3	Scania DC13; Diesel engine; 331 kW / 2100 ¹ /min (450 HP), torque 2007 Nm / 1575 ¹ /min; The engine complies with Euromot 3a / Tier 3; Exhaust system optional with spark arrester.
Axles 10 x 8 x 10	10 x 8 x 10; Five axles, axles 1, 2, 4, 5 are driven and dispose of a selectable transverse lock; Axles 2 and 4 with selectable longitudinal lock; All axles steered.
Additional fuel tank	Additional fuel tank 37 gallons; For 164 gallons diesel total in carrier (no RME / biodiesel).
Air conditioning	Air conditioning for carrier cab, 7 kW rated cooling power.

Superstructure

S1 Heavy lift attachment, stage 1	2 additional sheaves; Dis-/connectable; For total 6 sheaves at boom head; Max. capacity 244,800 lb.
2. hoist (H2)	2. hoist; Spring-loaded multi-disc brake; Integrated resolver (hoist rotation indicator); Incl. quick couplings and transport rack; Rope twist prevention is not included.
Additional counterweight 29,600 lb	Additional counterweight 29,600 lb; 2 pieces; for total 101,400 lb, 8 pieces.
Air conditioning	Air conditioning in crane cab with 5 kW rated cooling power.

Handling

Remote control	Control of superstructure movements via wireless remote control.
Outrigger load indicator	The outrigger load is indicated in the operator cab and the outrigger control box.
Working range limiter	Displaying and programmability of the work range limits by IC-1.
IC-1 Plus	Smart crane control system enabling higher lifting capacities especially over outriggers. Enables safe use of the full capacity of the crane even in asymmetric outrigger configurations. Outriggers can be positioned independently. Capacity precalculation for +/- 30° slewing angle and radius area. Provided with graphical lift planning application. In-cab lift simulation.

Extensions

HAV 36.1 ft	37.4 ft; Lattice swing-away jib, manually offsettable 20°/40°; 1-sheaved head; Incl. transport storage; Cannot be carried while maintaining 26,500 lb axle load.
HAV 68.9 ft	68.9 ft; Double folding swing-away jib, manually offsettable 20°/40°; 1-sheaved head; Incl. transport storage; Cannot be carried while maintaining 26,500 lb axle load; Includes HAV 36.1 ft.
HAV-VA 108.3 ft	108.3 ft; Variable extension; Single piece, 39.4 ft lattice boom extension and double folding swing-away jib, manually offsettable 20°/40°; 1-sheaved head; Incl. transport storage for double folding swing-away jib; Includes HAV 36.1 ft, HAV 68.9 ft and HAV-VA 75.5 ft.
HAV-HY	Hydraulic offset 0°-40° instead of manual offset 20°/40°; available for HAV 36.1 ft, HAV 68.9 ft, HAV-VA 108.3 ft.
MS (runner)	5.25 ft; Fixed angle runner; 2 sheaves, for max. 86,200 lb lifting capacity; Incl. transport storage at boom head.

Hook Blocks

Hook block 160-7-21-D-1500	160-7-21-D (3310 lb); Hook block with ramshorn hook; white with red signal stripes.
Hook block 125-5-21-D-1125	125-5-21-D (2480 lb); Hook block with ramshorn hook; white with red signal stripes.
Hook block 80-3-21-D-850	80-3-21-D (1870 lb); Hook block with ramshorn hook; white with red signal stripes.
Hook block 32-1-21-D-600	32-1-21-D (1320 lb); Hook block with ramshorn hook; white with red signal stripes.
Hook 12-0V-E-350	12-0V-E (770 lb); Single hook with vertical swivel; red.

Further additional equipment on request!

Weight data may deviate from posted values based on road / travel configuration, equipment configuration, and component weight tolerances.

A large rectangular area with horizontal lines, intended for taking notes.

A large rectangular area with horizontal lines, intended for taking notes.

Effective Date: July 2016.

Product specifications and prices are subject to change without notice or obligation. The photographs and/or drawings in this document are for illustrative purposes only. Refer to the appropriate Operator's Manual for instructions on the proper use of this equipment. Failure to follow the appropriate Operator's Manual when using our equipment or to otherwise act irresponsibly may result in serious injury or death. The only warranty applicable to our equipment is the standard written warranty applicable to the particular product and sale and Terex makes no other warranty, express or implied. Products and services listed may be trademarks, service marks or trade-names of Terex Corporation and/or its subsidiaries in the USA and other countries. All rights are reserved. Terex® is a registered trademark of Terex Corporation in the USA and many other countries.

Copyright Terex Cranes 2016



Terex Cranes
Global Marketing
Dinglerstraße 24 · 66482 Zweibrücken / Germany
Phone +49 (0) 6332 830
Email: info.cranes@terex.com

www.terex.com/cranes