



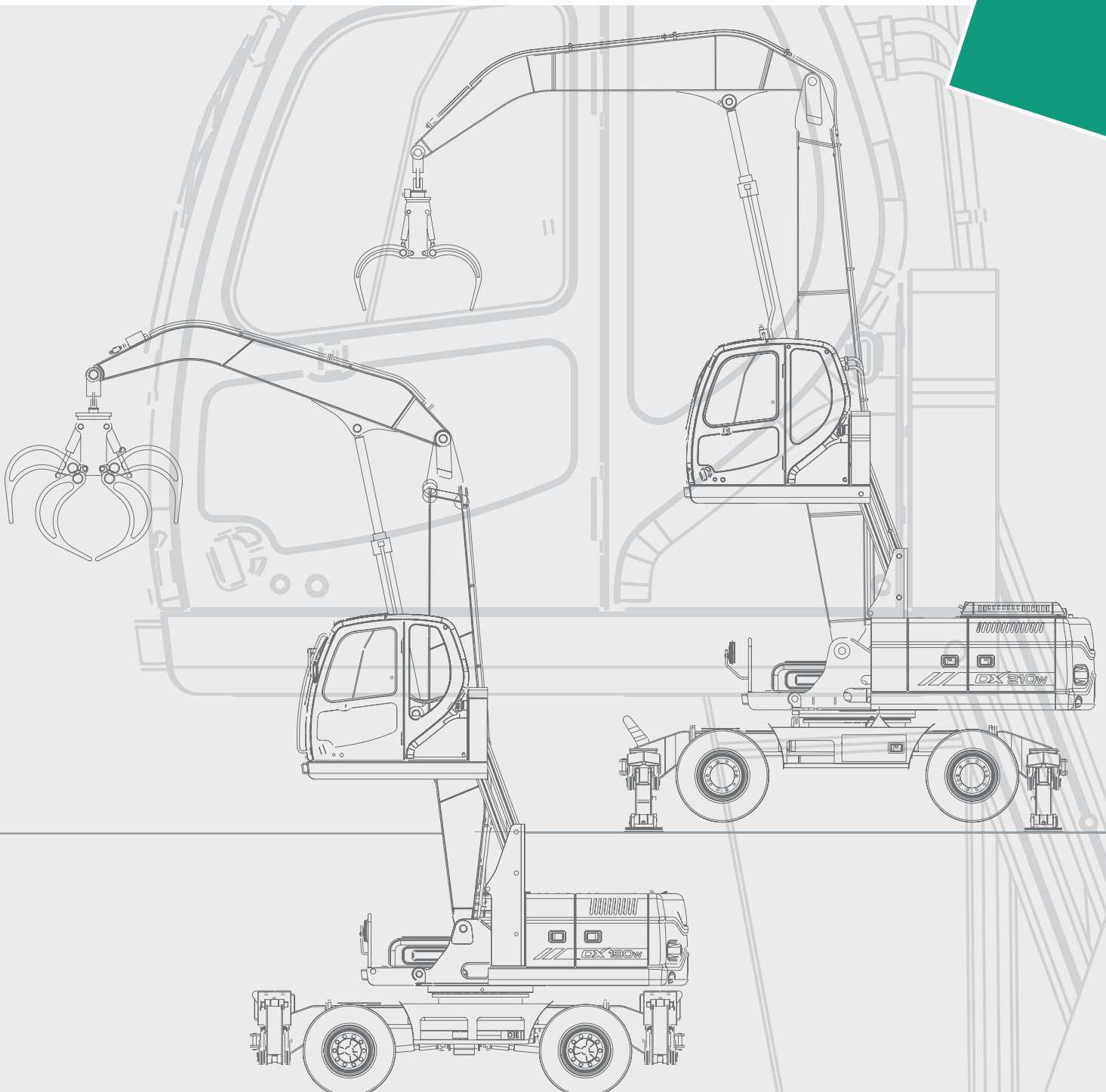
Doosan Infracore
Construction Equipment

DX190W MATERIAL HANDLING

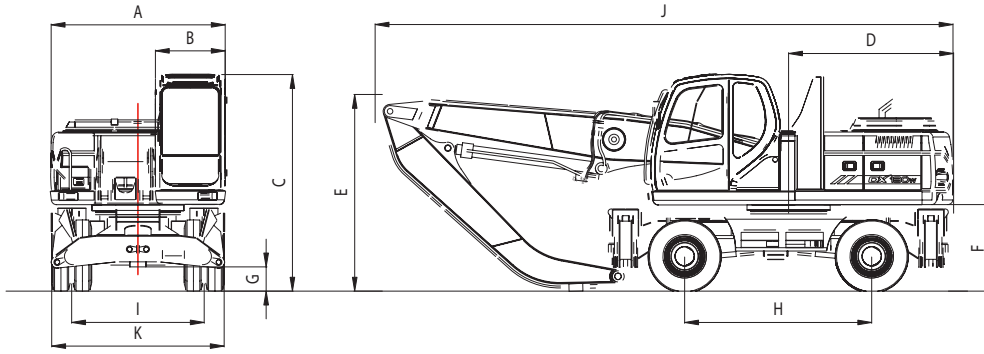
Engine power: 116 kW / 155 Hp at 1.900 rpm
Operational weight: 21.400 kg

DX210W MATERIAL HANDLING

Engine power: 120 kW / 164 Hp at 2.000 rpm
Operational weight: 19.500 ~ 24.470 kg



Dimensions & working ranges



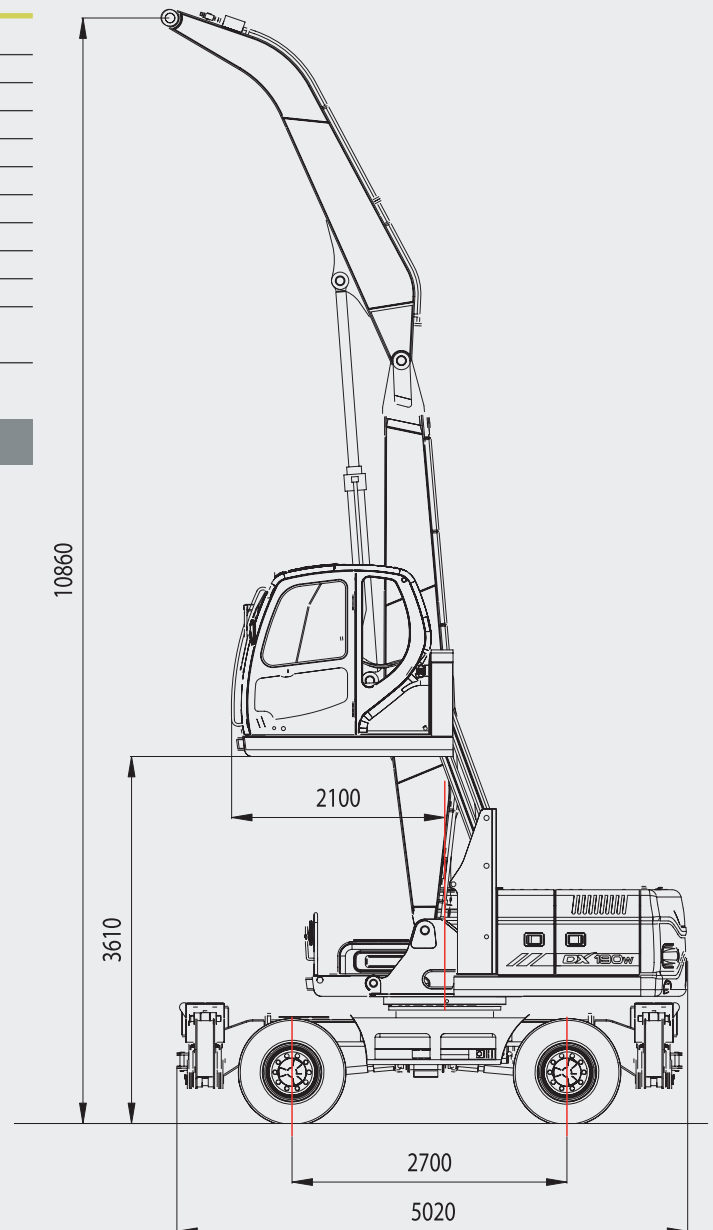
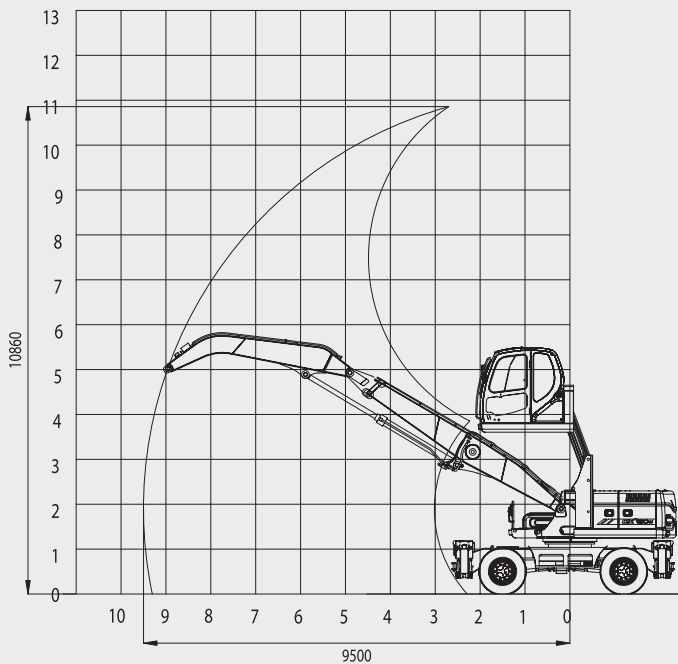
DX190W
MATERIAL HANDLING

Dimensions – Boom: 5,6 m - Arm: 4 m - Counter weight: 3.600 kg

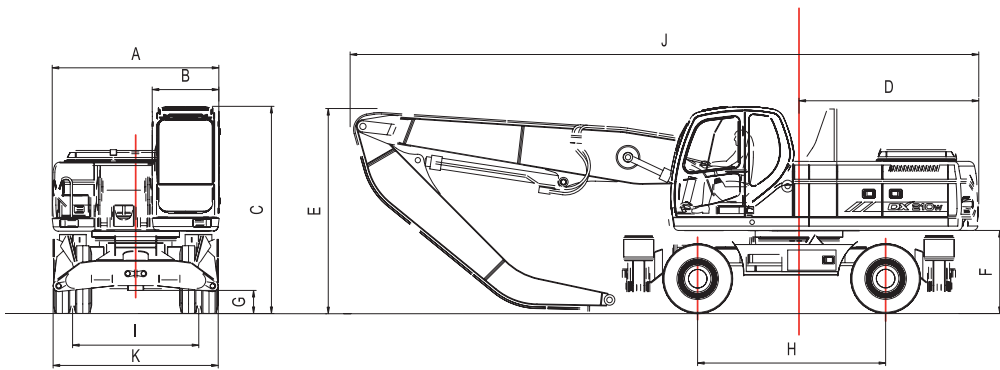
* Dimensions

A	Overall width of upper structure	mm	2.494
B	Overall width of cab	mm	1.010
C	Overall height of cab	mm	3.135
D	Tail swing radius	mm	2.450
E	Overall height of boom	mm	2.870
F	Clearance under counterweight	mm	1.249
G	Ground clearance	mm	350
H	Wheel base	mm	2.700
I	Tread	mm	1.944
J	Overall length	mm	8.350
K	Overall tire width with fender	mm	2.496
	Solid Tires 10.00-20-14PR		

Working ranges



Dimensions & working ranges



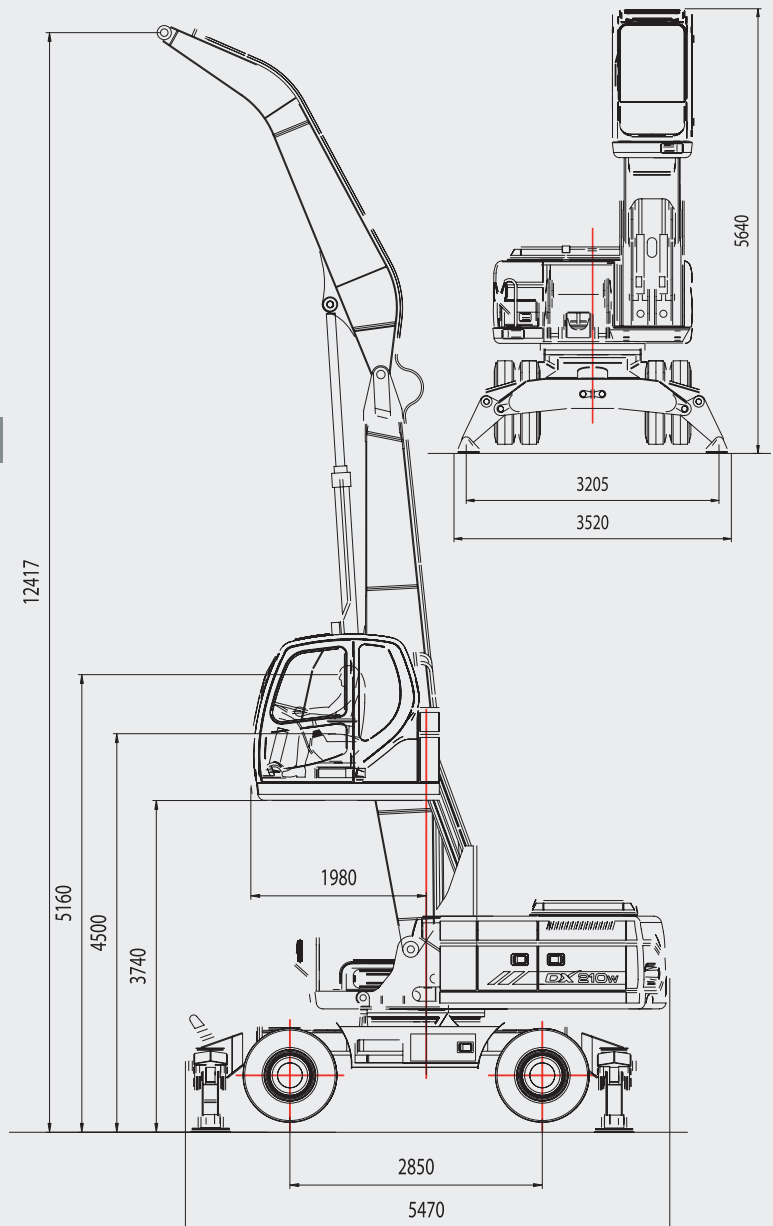
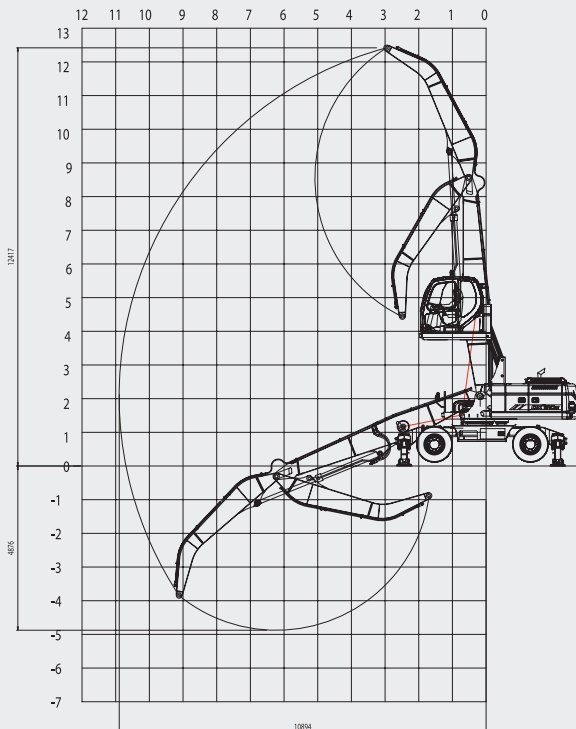
DX 210W
MATERIAL HANDLING

Dimensions – Boom: 6,5 m - Arm: 4,57 m - Counter weight: 4.200 kg

* Dimensions

A	Overall width of upper structure	mm	2.530
B	Overall width of cab	mm	1.010
C	Overall height of cab	mm	3.140
D	Tail swing radius	mm	2.750
E	Overall height of boom	mm	3.100
F	Clearance under counterweight	mm	1.259
G	Ground clearance	mm	350
H	Wheel base	mm	2.850
I	Tread	mm	1.914
J	Overall length	mm	9.550
K	Overall tire width with fender	mm	2.500
Solid Tires 10.00-20-14PR			

Working ranges



DOOSAN Infracore Europe S.A.

1^à, rue Achille Degrâce
7080 Frameries, Belgium
Tel : +32-65-61 32 30 • Fax : +32-65-67 73 38

DOOSAN Infracore France SA

ZAC la clé St Pierre, Buroplus 2
Avenue Jean d'Alembert, 1^à
78990 Elancourt, France
Tel : +33-1-30 16 21 41 • Fax : +33-1-30 16 21 44

DOOSAN Infracore U.K., Ltd.

Doosan House, Unit 6, 3 Heol-Y-Gamlas, Parc Nantgarw,
Nantgarw, Cardiff CF15 7QU, U.K.
Tel : +44-1443-84-2273 • Fax : +44-1443-84-1933

DOOSAN Infracore Europe S.A. Germany

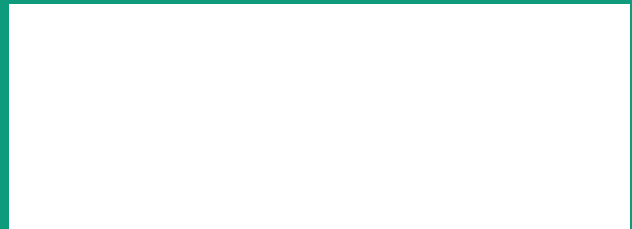
Heinrich-von-Stephan-Str. 2
D-40764, Langenfeld, Germany
Tel : +49-2173-2035212 • Fax : +49-2173-2035219

Head Office

Doosan Tower 26TH FL. 18-12, Euljiro-6Ga,
Jung-Gu, Seoul, Korea 100-730
Tel : +82-2-3389-8114 • Fax : +82-2-3389-8117

www.doosaninfracore.com

www.doosaneurope.com



The illustrations do not necessary show the product in standard version.
All products and equipments are not available in all markets.
Materials and specifications are subjects to change without prior notice.
29-11_DX190-210MH_UK_12/06 • Design by SizeCommunication.com