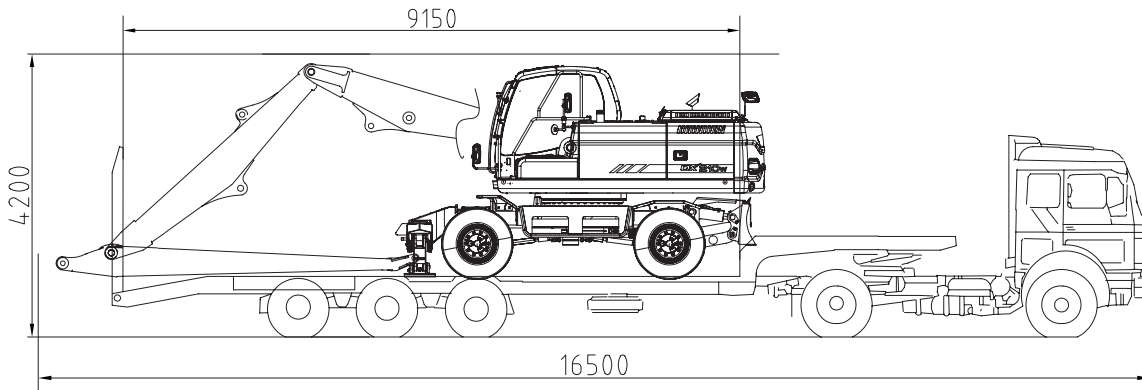


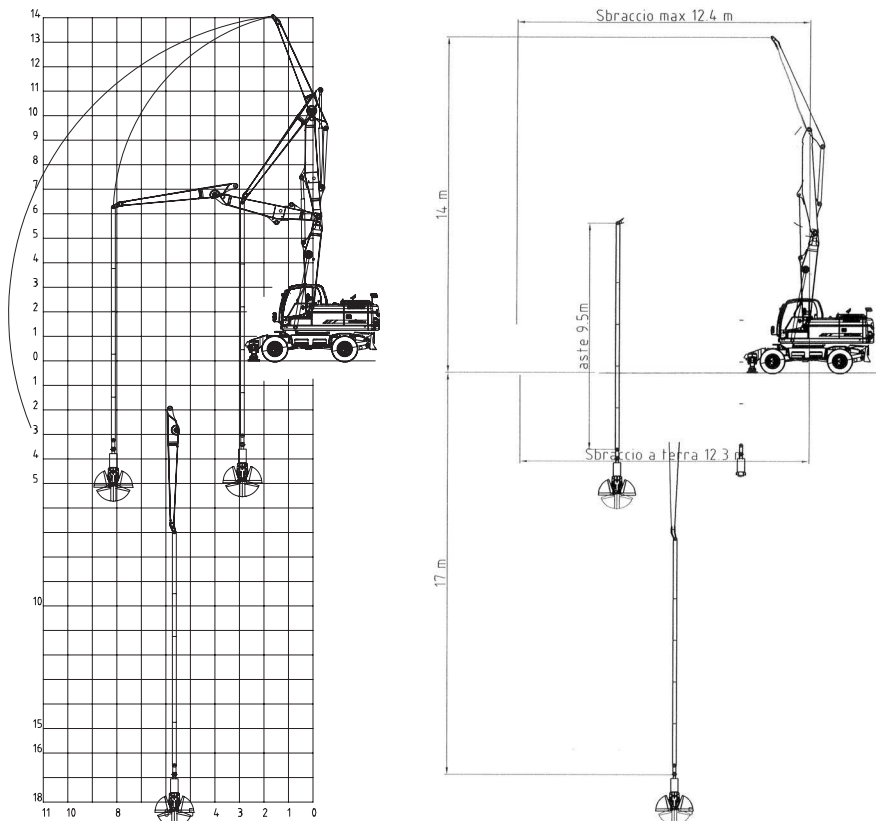
DX210W Bati Long

Engine power: 120 kW / 162 Hp at 2.000 rpm
Operational weight: 20.737 kg

Dimensions



Working Ranges



Operating weight	kg	20.737
Engine		
Model		DOOSAN DLo6
Displacement	cc	5.890
Rated power/R.P.M.	Hp/rpm	162 / 2.000
	kW/rpm	120 / 2.000
Transport Dimension		
Length	mm	9.150
Height (boom)	mm	4.200
Width	mm	2.530
Working Range		
Max. digging depth	mm	17.000
Max. digging height	mm	14.000
Max. digging reach	mm	12.300
Performance		
Travelling speed	km/h	36/33/9/4
Swing speed	rpm	11
Hydraulics		
Pump type		Tandem, Axial Piston
Max. flow rate	l/min	2 x 231,7
Control		
Lever control type		Hydraulic pilot
Lever pattern		SAE
Tank		
Fuel tank	l	350
Hydraulic tank	l	122