

URBAN FORESTRY UNIT

DTAX-45 | DTAXS-45

DUR-A-LIFT®

CATEGORIES
C, D, & E
NOW AVAILABLE
TO MEET NEW
ANSI A92.2
STANDARDS



**ARTICULATING,
TELESCOPIC AERIAL LIFT**
(INSULATED OR NON-INSULATED)



180° rotating basket

Superior
HEIGHT & REACH

Experience the compact capabilities of the DTAX lightweight and maneuverable (Class 5) design with a side reach of 30 feet and

**A WORKING HEIGHT OF
50 FEET**

*Experience.
Quality.
Dependability.
Service.*



sales@dur-a-lift.com
www.dur-a-lift.com

Dur-A-Lift Inc., P.O. Box 31, George, Iowa 51237
(877) 4-DURALIFT (877) 438-7254 | Fax: (712) 475-2809

URBAN FORESTRY UNIT

DTAX-45

(INSULATED)

DTAXS-45

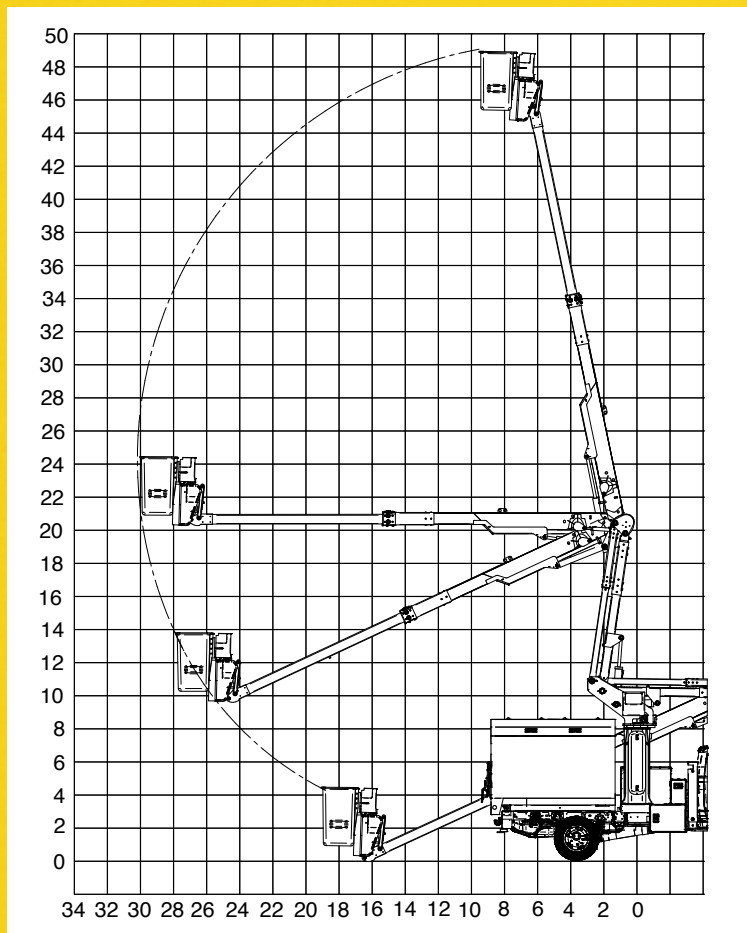
(NON-INSULATED)

SPECIFICATIONS

Height to bottom of platform	45'
Working height	50'
Side reach	30'
Stowed travel height	11'1"
Basket capacity	350#
Articulating arm travel	0° to 80°
Main boom travel	-25° to +78°
Extension travel	120"

Minimum GVWR will change significantly depending on make of chassis and stabilizer option. Dur-A-Lift Inc. reserves the right to improve models and change specifications without notice or obligation. Dur-A-Lift equipment meets or exceeds all applicable ANSI Standards as of the date of manufacture.

REACH DIAGRAM



END HUNG BASKET CONFIGURATION SHOWN.
SUBTRACT 2 FT FOR ACCURATE SIDE REACH
VALUE FOR SIDE HUNG BASKET.

CONTROLS

- Proportional controls
- Lower controls with override located at the turntable
- **Engine start/stop from the basket**
- Individual control levers

HYDRAULIC SYSTEM

- Rated pressure is 2200 PSI
- Operating pressure is 2000 PSI
- Open center hydraulic system
- **180° rotating basket**

MECHANICAL SYSTEM

- **Telescoping and articulating boom action**
- Offset main boom reduces travel height
- Shear ball rotation driven
- Fully enclosed worm gear box
- Non-continuous rotation
- Insulated extension boom 46 kV DTAX
- 24" x 24" x 42" basket
- 110V outlet at upper controls DTAXS

OPTIONS

- **Single hand joystick upper control**
- Outrigger or torsion bars
- 12 volt DC backup
- Fixed basket position (side or end)
- Basket offered in various sizes and configurations
- Basket liner 50 kV DTAX
- Main boom fiberglass insert DTAX
- Chassis isolator art boom fiberglass insert DTAX
- Continuous rotation
- Tool trays of various sizes
- Basket and control cover
- Upper and lower hydraulic tool circuits
- Lower stow/dump control
- Special paint color



This aerial lift is sold and serviced by:



sales@dur-a-lift.com
www.dur-a-lift.com

Dur-A-Lift Inc., P.O. Box 31, George, Iowa 51237
(877) 4-DURALIFT (877) 438-7254 | Fax: (712) 475-2809