

Dynapac CC1200

Double drum vibratory rollers

Atlas Copco



Technical data

| Masses | |
|-----------------------------|---------------------|
| Max. operating mass | 6,000 lbs |
| Operating mass (incl. ROPS) | 5,700 lbs |
| Module mass (front/rear) | 2,800 lbs/2,900 lbs |

| Propulsion | |
|----------------------|---------|
| Speed range | 0-6 mph |
| Vertical oscillation | ±10° |
| Theor. gradeability | 43 % |

| Compaction | |
|---------------------------------|-----------------|
| Centrifugal force | 7,420/8,170 lb |
| Nominal amplitude | 0.020 in |
| Static linear load (front/rear) | 59 /63 lbs/in |
| Vibration frequency | 3,780/3,960 vpm |
| Water tank | 42 gal |

| Engine | |
|------------------------|----------------------|
| Manufacturer/Model | Kubota D1703-M (T4i) |
| Type | Water cooled |
| Rated power, SAE J1995 | 35 hp @ 2,800 rpm |
| Fuel tank capacity | 13 gal |

| Hydraulic system | |
|-------------------------|---|
| Driving | Axial piston pump with variable displacement. Radial piston motors (2) with constant displacement. |
| Vibration | Gear pump/motors with constant displacement. |
| Steering | Gear pump with constant displacement. |
| Service brake | Hydrostatic in forward and reverse lever. |
| Parking/Emergency brake | Failsafe multidisc brake in both drums. |

Find us locally at www.atlascopco.com

We reserve the right to change specifications without notice. Photos and illustrations do not always show standard versions of machines. The above information is a general description only, all informations are supplied without liability.

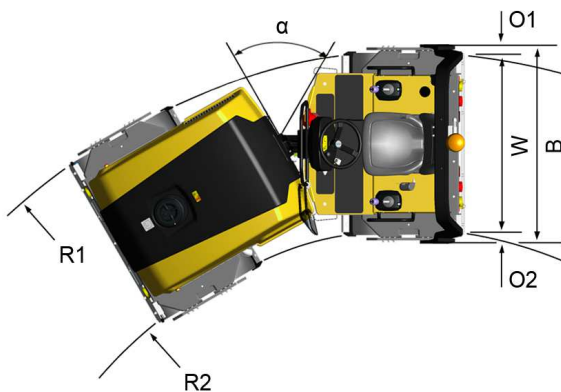
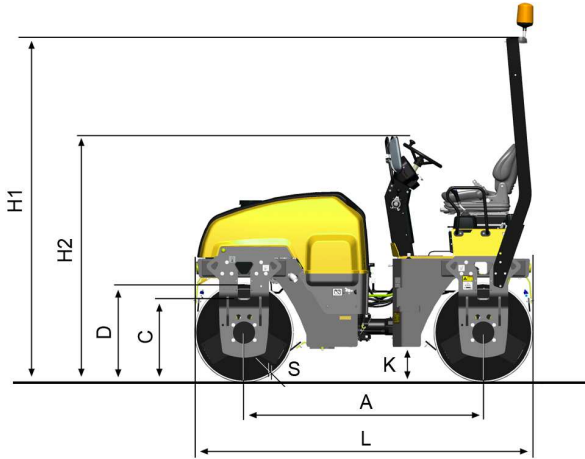
rce_cc1200_us-20160418.111428.pdf 2016-04-18 11:14

Dynapac CC1200

Double drum vibratory rollers

Atlas Copco

Technical data



| Dimensions | |
|-----------------------------|----------------|
| A. Wheelbase | 68 in |
| B. Width | 52 in |
| C. Curb clearance | 22 in |
| D. Drum diameter | 27 in |
| H1. Height, with ROPS/cab | 104 in |
| H2. Height, w/o ROPS/cab | 69 in |
| K. Ground clearance | 7 in |
| L. Length | 94 in |
| O1. Overhang, right | 2 in |
| O2. Overhang, left | 2 in |
| R1. Turning radius, outside | 150 in |
| R2. Turning radius, inside | 102 in |
| S. Drum shell thickness | 0.5 in |
| W. Drum width | 47 in |
| α . Steering angle | $\pm 30^\circ$ |



Standard equipment

Backup alarm, Foldable ROPS incl. 3" seatbelt, Working lights



Optional equipment

Biodegradable hydraulic fluid, Fire extinguisher, Foot rest, Hearing protectors, Licence plate light, Rear view mirror (traffic view), Service kit 50/500/1000H, Side direction lights (driving lights required), Slow moving vehicle sign, Special color (one or two), Tool set, Towing eyelet, Water tank cover (lockable)

Find us locally at www.atlascopco.com

We reserve the right to change specifications without notice. Photos and illustrations do not always show standard versions of machines. The above information is a general description only, all informations are supplied without liability.

rce_cc1200_us-20160418.111428.pdf 2016-04-18 11:14