

MS30 Technical Specification

EDGE® reserve the right to alter any details contained without notice. COPYRIGHT© 2011



GENERAL TECHNICAL DATA

OPERATION MODE

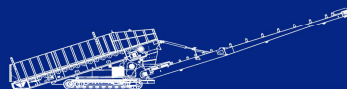
- Machine Width (Fully Extended).....3489mm / 11 ft 4 ins
- Length.9144mm / 30ft
- Maximum Discharge Height:5180mm / 17 ft
- Minimum Discharge Height:3297mm / 10ft 10ins
- Working Angle:14-30 degrees

TRANSPORT MODE

- Machine Width.....2450mm/ 8ft
- Transport Length7803 mm / 25ft 7ins
- Transport Height Machine Folded:..... 3192mm / 10ft 6ins
- Transport Height Machine Unfolded:mm / ft ins

WEIGHTS

- Hydraulic Drive Machine2160KG (2.3 US Tons)





EDGE® Design & Engineering Innovation

30 Farlough Road, Newmills, Dungannon, Co. Tyrone, BT71 4DT.

E-mail: info@edgeinnovate.com Web: www.edgeinnovate.com

Tel: +44 28 8774 0525 Fax: +44 28 8774 7244

MAIN CONVEYOR

- Belt Width:32ins
- Belt Type:EP 400 3 ply belt
- Drum centres:9.15metres
- Drive drum Diameter:295mm with lagging, 283mm without.
- Tail drum Diameter:215.5mm

HYDRAULICS

- Hydraulic Motor.....Danfoss OMT500

CHASSIS

- Tyres.....11.5/80 x 15.3 RIM & TYRE 6 STUD

ALL-ELECTRIC

- 3 phase.....380 - 415 Volts

ELECTRIC MOTOR

- Type:7.5kw
- Motor rpm:1400 rpm
- Gearbox Torque:1570nm,
- Ratio: 7.5kw at 20.23/1 which produces 1022nm
- Output rpm:71

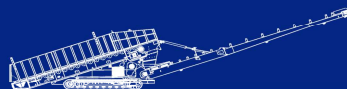
STANDARD

- 30ft Coupling Hose Kit
- Tow Bar and Ground Pivot Stand
- Danfoss / Eaton Motor
- Hydraulic Angle Adjustment (only on hydraulic conveyors)
- 2.5" Self Lube Triple Seal Bearings
- Variable angle wing rollers
- Hydraulically driven

OPTIONAL

- Belt: (Chevron / Heavy Duty)
- Anti-Roll Back Flaps
- Power Source: (Diesel Hydraulic / Electric)
- Scraper Upgrade
- Enclosed Skirting
- Feedboot Extension

MS30 Page 2/4



EDGE ARE GLOBAL LEADERS IN THE DESIGN INDUSTRY - MATERIALS RECYCLING - AGGREGATE PROCESSING - MINERALS HANDLING



EDGE® Design & Engineering Innovation

30 Farlough Road, Newmills, Dungannon, Co. Tyrone, BT71 4DT.

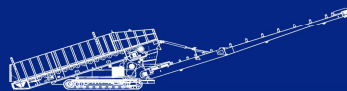
E-mail: info@edgeinnovate.com Web: www.edgeinnovate.com

Tel: +44 28 8774 0525 Fax: + 44 28 8774 7244

ADVANTAGES:

- 6 No. easily fitted in & out of a 40ft container minimising transport costs
- Can be used for a variety of applications including:
Crushed aggregate, top soil, bark, coal, sand & fines
- Low cost radial stacking solution
- Reduced operating fuel costs
- Greater operating efficiency; less re-handling of material
- Easy to move around site
- Natural stockpile capacity increased
- Quick set-up time

MS30 Page 3/4



EDGE ARE GLOBAL LEADERS IN THE DESIGN INDUSTRY - MATERIALS RECYCLING - AGGREGATE PROCESSING - MINERALS HANDLING

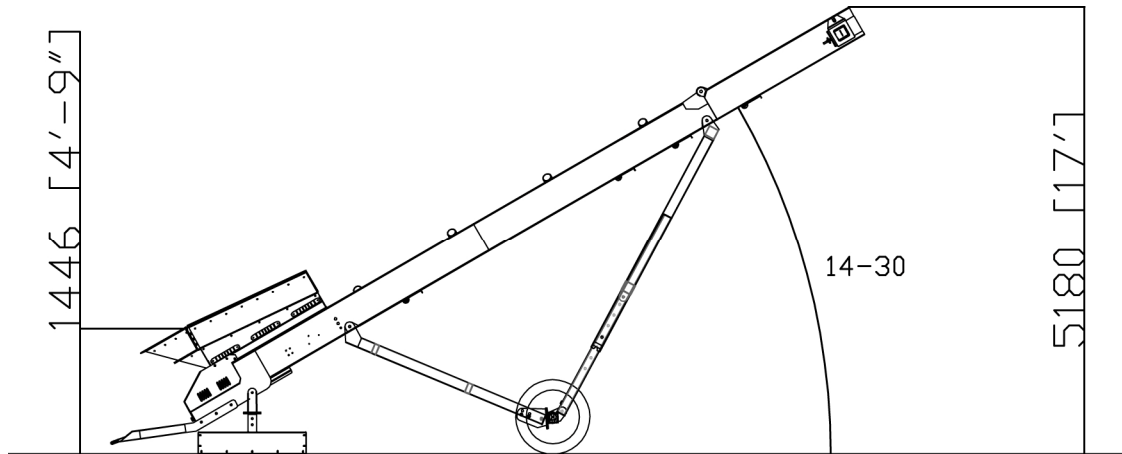


Fig. 1. Maximum Working Height Dimensions

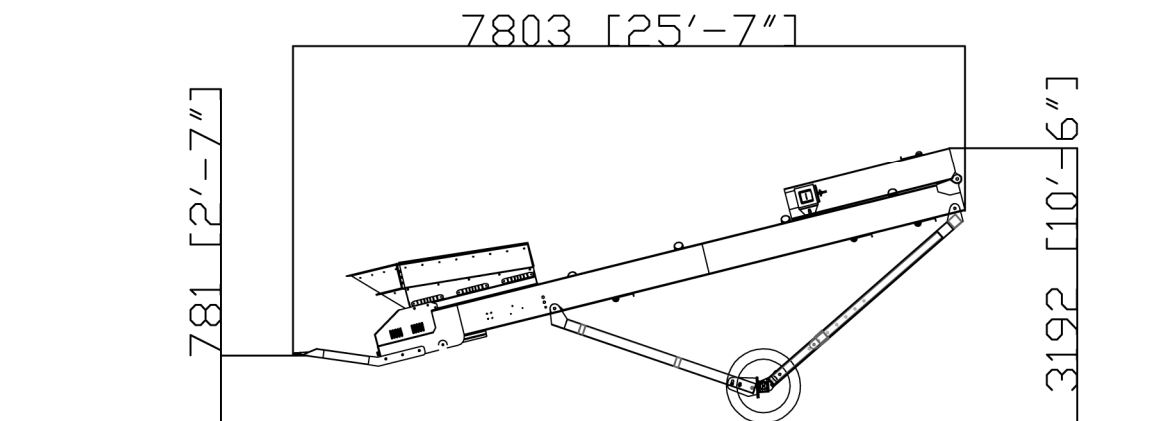


Fig. 2. MS30 Transit Dimensions