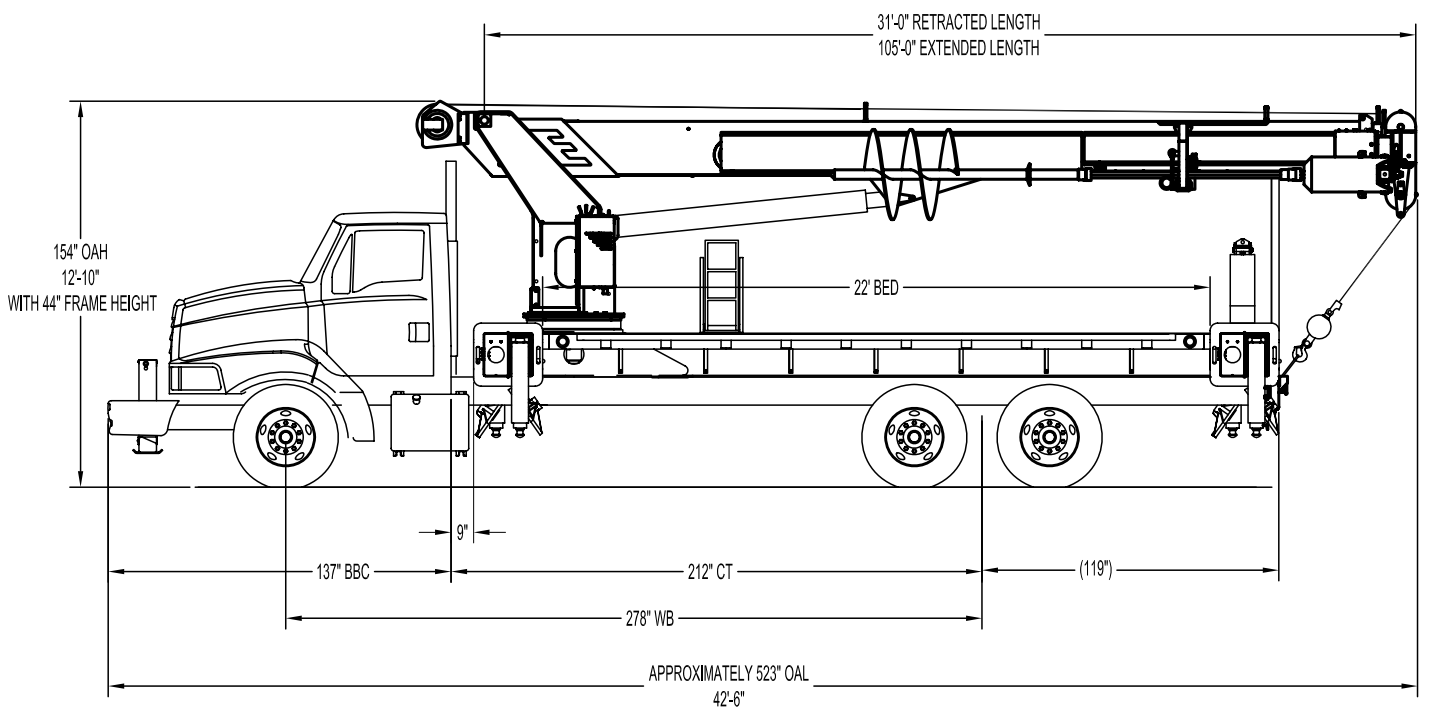




30105F-D SIDE VIEW DIAGRAM



- | | | | |
|----------------------------------|-------------------------------------|---------------------------------|------------------|
| • Maximum Vertical Reach | 162' / 49 m | • Powered Boom Sections | 4 |
| • Working Area | 180 Degrees Standard (360 Optional) | • Overall Height | 13' / 4 m |
| • Lifting Capacity | 60,000 lbs / 27 216 kg | • Operator Controls | Rotating Standup |
| • Boom Length | 105' / 32 m | • Outrigger Type Front | Out-Down |
| • Crane Weight (Standard) | 29,785 lbs / 13 510 kg | • Outrigger Spread Front | 20' / 6 m |
| • Jib Lengths | 26', 26-45' / 8-14 m | • Outrigger Type Rear | Out-Down |
| • Winch Bare Drum Pull | 12,800 lbs / 5806 kg | • Outrigger Spread Rear | 20' / 6 m |
| • Hydraulic Digger Radius | 44' / 13,4 m | | |

TECHNICAL SPECIFICATIONS

Crane Capacity: 60,000 lbs at 5' load radius.

Maximum Tip Height: 117' height (162' with optional 45' jib)

Control Console: Rotating turret single operator standup control station equipped with four single axis control levers for the main crane controls. Operator station includes LMI display, bubble level gauge, engine start/stop switch, signal horn button, variable speed throttle switch, lifting capacity chart, range diagram chart, boom angle indicator, system pressure gauge, 12V DC power source, and cup holder. Independent ground level electric operated outrigger controls.

Boom: Four-section fully proportional, high strength steel plated rectangular tube sections. A maximum boom tip height of 117' mounted on a truck. The boom nose contains one floating upper sheave and three lower sheaves. Assembly includes heavy-duty cylinder fittings, pivot pins, and replaceable wear pads.

Winch: Mounted at the base of the boom for a long fleet angle and flat level spooling of cable. Winch is driven by a planetary reducer and powered by a hydraulic motor. The winch brake is spring applied, pressure release design. Supplied with 425' of 9/16" diameter rotation resistant wire rope with a single line pull of 9,060 pounds, and a downhaul ball with swivel hook for single part line.

Auger System: 20,000 lb. automatic two-speed auger with 2 5/8" hex drive mounted at end of boom. Auger equipped with a 2 5/8" Kelly bar (auger extension bar) able to accept 24", 36", or 48" flightings. Auger and flighting to be stowed on side of boom from controls operated at main control station. Up to a 36" flighting to be stowed during transport. The auger provides a 44' digging radius. Auger will be provided with alternate radio remote control

Elliott Equipment Company reserves the right to change the specification of any unit at any time without prior notice. This brochure is only a statement of general specifications on the date of this publication. For more detailed info on specific Elliott trucks go to www.elliottequip.com

system with integral LMI display in radio transmitter.

Load Moment Indicator System: System senses hoist cylinder pressures, boom length and boom angle with hydraulic function lockout. The display console is equipped with a bar graph showing crane utilization, boom angle or boom length, a mode select controls for main boom and jib operation, and an anti-two block with an audio/visual warning and shut-off functions to limit hook-boom point contact.

Outriggers: Two sets of out and down overframe outriggers with 20' span. Outriggers are configured for full span or mid span operation. Outriggers equipped with ball socket aluminum removable pads that stow on vertical outrigger legs. Front stabilizer provides 360 degree area of operation.

Frame: Full length, all welded rigid 4-plate design sub-frame. Sub-frame allows for bolt-on addition of 22' bed wings, with top plate of subbase serving as a portion of the bed deck, to form a three-piece bed.

Turret: Reverse offset turret is one-piece weldment. Turret rotates on large diameter ball bearing.

Rotation: Hydraulic motor drives turret through double reduction planetary swing drive for 372-degree non-continuous rotation.

Lift: One double-acting long stroke cylinder provides smooth and stable boom elevation. Holding valve prevents boom from falling in event of hose failure.

Boom Extension: Incorporates a 2-stage hydraulic extension cylinder, attached to the largest boom section, with a proportional cable extension system driving the outermost sections.

Hoses: All high pressure hoses are wire braid reinforced with a minimum safety factor of 4 to 1.

Cylinders: All cylinders use microhoned cylinder tubing, chrome shafts, top grade packing and protective rod wipers. Cylinder-mounted holding valves provided on all load-holding cylinders.

Hydraulic System: Equipped with air-shift PTO, piston pump, SAE O-ring face seals on pressure lines, and a 10-micron return line filter. The control valve distributes all flow to hoist system, swing circuit, and other crane functions. System is closed center type.

Oil Tank Capacity: 120 gallon mounted to truck frame on streetside.

Cab Equipment: PTO switch with indicator lights installed in truck cab. U/L approved 5:BC dry chemical fire extinguisher installed in truck cab.

Operators Manual & Video: Two CD copies and one hard copy of operation, maintenance, safety and parts manual provided with each unit. Operational and safety video provided at delivery.

Installation: Unit installed on chassis, painted, system and tank filled with oil, tested, inspected, and ready to operate.

Standard Paint: Paint turret and boom white, outriggers red, and bed and boxes black. Top of bed painted with black nonskid surface.

Bumper: Bureau of Motor Carrier Safety rear bumper.

Weight: Approximately 29,785 lbs. with 22' steel-floor bed less truck.

Truck Chassis Required: Approx. 204" C.T. RBM 3,300,000 in-lb. per rail, 20,000 lb. front axle and 60,000 lb. GVWR required. Trucks must have front frame extension, 12V electrical system with high capacity alternator, cab clearance stop/tail/backup lights, and I.D. lamps. Recommended GVWR is minimum for BoomTruck with flatbed only. Contact factory when additional equipment is to be added.

LOAD CHART - MAIN BOOM + DIGGER, FULL-SPAN OUTRIGGERS



MODEL 3000 105-ft BOOM WITH DIGGER

MAIN BOOM LOAD RATINGS WITH FULLY EXTENDED OUTRIGGERS

MAIN BOOM LOAD RATINGS													JIB LOAD RATINGS									
LOAD RATINGS IN lbs WITH OUTRIGGERS AND STABILIZERS EXTENDED													LOAD RATINGS IN lbs WITH OUTRIGGERS AND STABILIZERS EXTENDED									
LOAD RADIUS IN FEET	LOADED BOOM ANGLE	31-ft		46-ft		58-ft		70-ft		82-ft		94-ft		105-ft		26-ft FIXED LENGTH JIB			26-45 ft EXTENDABLE JIB			
		LOAD RADIUS IN FEET	LOADED BOOM ANGLE	LOAD RADIUS IN FEET	LOADED BOOM ANGLE	LOAD RADIUS IN FEET	LOADED BOOM ANGLE	LOAD RADIUS IN FEET	LOADED BOOM ANGLE	LOAD RADIUS IN FEET	LOADED BOOM ANGLE	LOAD RADIUS IN FEET	LOADED BOOM ANGLE	LOAD RADIUS IN FEET	LOADED BOOM ANGLE	LOAD RADIUS IN FEET	LOADED BOOM ANGLE	26-ft JIB	26-ft JIB RETRACTED	45-ft JIB EXTENDED		
5	80	58,650																				
6	78	46,650																				
8	74.2	37,250	79.2	31,050																		
10	70.3	30,650	76.6	27,050																		
12	66.2	26,150	74	25,050	77.4	24,550																
14	62	22,650	71.3	23,050	75.4	22,950	78	21,050														
16	57.6	19,450	68.6	21,550	73.3	21,450	76.3	19,750	78.3	16,950												
18	52.9	16,550	65.8	20,050	71.1	19,850	74.5	18,350	76.9	16,050	78.6	14,500										
20	47.8	14,250	62.9	18,050	69	18,350	72.8	17,150	75.4	14,950	77.3	13,100										
22	42.3	11,750	60	16,050	66.8	16,850	71	15,850	74	13,950	76.1	12,300	78	7,950								
25	32.2	8,850	55.3	13,050	63.5	14,550	68.4	13,950	71.7	12,450	74.2	11,300	76.1	7,950								
30			46.9	10,050	58.1	11,550	64.2	10,850	68.3	10,950	71.2	9,700	73.2	7,950								
35			37.8	8,050	51.8	9,150	59.4	8,650	64.4	8,750	67.9	8,400	70.3	7,950								
40			24.3	5,350	44.9	7,950	54.4	7,050	60.3	7,100	64.5	7,150	67.4	6,900								
45					36.9	6,750	49	5,850	56.1	5,900	61	5,900	64.3	5,800								
50					26.7	5,250	43.1	4,850	51.7	4,900	57.4	4,900	61.2	4,750								
55							36.3	4,050	46.9	4,100	53.6	4,100	58	3,750								
60							28.1	3,400	41.7	3,450	49.6	3,450	54.6	2,850								
65							16.1	2,850	35.9	2,900	45.4	2,900	51.1	2,500								
70									30	2,450	40.7	2,300	47.4	1,900								
75									19.9	1,750	35.6	1,500	43.5	1,400								
80											29.7	500	39.2	1,000								
85											22.3	100	34.5	700								
90													29.1	400								
95													22.4	150								
0		7,450	0	5,250	0	3,350																
DEDUCTIONS FOR STOWED JIB (lbs)		850		600		450		400		350		300		250								
		550		350		300		250		200		150		150								

ELLIOTT EQUIPMENT CO. SUPPLIED
 LOADLINE EQUIPMENT DEDUCTIONS:
 DOWNHAUL WEIGHT180 lbs
 ONE SHEAVE BLOCK.....375 lbs
 TWO SHEAVE BLOCK.....640 lbs
 THREE SHEAVE BLOCK.....870 lbs
 AUXILIARY SHEAVE.....100 lbs

DEDUCTIONS FOR STOWED JIB (lbs)		DEDUCTIONS FOR STOWED EXTENDABLE JIB (lbs)		DEDUCTIONS FOR STOWED FIXED LENGTH JIB (lbs)		NOTICE	
1-PART LINE	2-PART LINE	3-PART LINE	4-PART LINE	5-PART LINE	6-PART LINE	7-PART LINE	- DO NOT DEADEND LINE BLOCK AGAINST BOOM TIP WHEN OPERATING BOOM. - KEEP AT LEAST 5 FEET OF CABLE ON THE WINCH DRUM AT ALL TIMES. - USE ONLY THE DIAMETER WIRE ROPE AS SPECIFIED BELOW WITH THE PROPER BREAKING STRENGTHS LISTED. - WEAR PHYSICAL LOCK SYSTEM MUST BE USED. OPERATE IN THE CORRECT MANNER BEFORE OPERATING CRANE. SEE OPERATOR'S SAFETY MANUAL. *WIRE ROPE BREAKING STRENGTH *WIRE ROPE BREAKING STRENGTH **DO NOT PAINT OVER ANY LABELS
MAX PULL: 9,600 lbs	19,200 lbs	28,800 lbs	38,400 lbs	48,000 lbs	57,600 lbs	60,000 lbs	
MAX PULL: 9,060 lbs	18,120 lbs	27,180 lbs	36,240 lbs	45,300 lbs	54,360 lbs	60,000 lbs	



Elliott Equipment Company
 4427 South 76th Circle
 Omaha, NE 68127
 Phone: 402-592-4500
 Fax: 402-592-4553
 Email: sales@elliottequip.com

Built for You.
 www.elliottequip.com

LOAD CHART - MAIN BOOM + DIGGER, MID-SPAN OUTRIGGERS



MODEL 3000 105-ft BOOM WITH DIGGER

MAIN BOOM LOAD RATINGS WITH OUTRIGGERS AT MID-SPAN POSITION

MAIN BOOM LOAD RATINGS

LOAD RATINGS IN lbs WITH OUTRIGGERS AND STABILIZERS EXTENDED

LOAD RADIUS IN FEET	LOADED BOOM ANGLE	31-ft	A	LOADED BOOM ANGLE	B	LOADED BOOM ANGLE	C	LOADED BOOM ANGLE	D	LOADED BOOM ANGLE	E	LOADED BOOM ANGLE	F	
		46-ft		58-ft		70-ft		82-ft		94-ft		105-ft		
5	80	58,650												
6	78	46,650												
8	74.2	37,250	79.2	31,050										
10	70.3	30,650	76.6	27,050										
12	66.2	26,150	74	25,050	77.4	24,550								
14	62	19,950	71.3	23,050	75.4	22,950	78	21,050						
16	57.6	18,150	68.6	19,050	73.3	19,250	76.3	19,750	78.3	16,950				
18	52.9	14,450	65.8	14,850	71.1	15,850	74.5	15,650	76.9	16,050	78.6	14,500		
20	48.9	10,850	62.9	12,050	69	12,550	72.8	12,750	75.4	13,350	77.3	13,100		
22	42.3	8,150	60	9,550	66.8	10,250	71	10,350	74	10,650	76.1	10,500	78	7,950
25	33.8	6,450	55.3	7,250	63.5	7,550	68.7	8,100	72	8,250	74.2	8,500	76.1	7,950
30			46.9	4,950	58.1	5,350	64.2	5,500	68.3	5,650	71.2	5,900	73.2	6,050
35			37.8	3,050	51.8	3,550	59.4	3,700	64.4	3,850	67.9	4,100	70.3	4,250
40			24.3	1,850	44.9	2,350	54.4	2,500	60.3	2,650	64.5	2,800	67.4	2,950
45					36.9	1,450	49	1,600	56.1	1,750	61	1,900	64.3	2,050
50					26.7	700	43.1	900	51.7	1,050	57.4	1,200	61.2	1,350
55							36.3	350	46.9	500	53.6	650	58	750
60									41.7	100	49.6	200	54.6	300
0		3,850	0	1,250										
DEDUCTIONS FOR STOWED JIB (lbs)		850	600	450	400	350	300	250						
		550	350	300	250	200	150	150						

JIB LOAD RATINGS

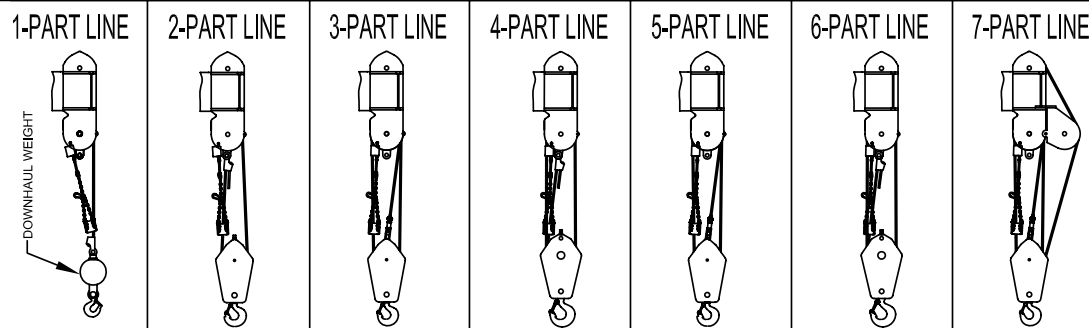
LOAD RATINGS IN lbs WITH OUTRIGGERS AND STABILIZERS EXTENDED

LOAD RADIUS IN FEET	LOADED BOOM ANGLE	26-ft FIXED LENGTH JIB		26-45 ft EXTENDABLE JIB		
		26-ft JIB	LOADED BOOM ANGLE	26-ft JIB RETRACTED	LOADED BOOM ANGLE	45-ft JIB EXTENDED
30	78.7	4,750	78.5	4,500		
35	76.5	4,350	76.3	4,100	77.4	2,600
40	74.3	3,950	74.1	3,600	75.4	2,500
45	72	2,950	71.7	2,700	74	2,400
50	69.5	2,200	69.3	1,900	72.2	2,250
55	67.1	1,550	66.8	1,300	70.3	2,000
60	64.6	1,050	64.3	800	68.3	1,450
65					66.2	1,050
70					64.2	750

ELLIOTT EQUIPMENT CO. SUPPLIED
LOADLINE EQUIPMENT DEDUCTIONS:
DOWNHAUL WEIGHT 180 lbs
ONE SHEAVE BLOCK..... 375 lbs
TWO SHEAVE BLOCK..... 640 lbs
THREE SHEAVE BLOCK..... 870 lbs
AUXILIARY SHEAVE..... 100 lbs

DEDUCTIONS FOR STOWED EXTENDABLE JIB (lbs)

DEDUCTIONS FOR STOWED FIXED LENGTH JIB (lbs)



MAX PULL: 9,600 lbs	19,200 lbs	28,800 lbs	38,400 lbs	48,000 lbs	57,600 lbs	60,000 lbs
MAX PULL: 9,060 lbs	18,120 lbs	27,180 lbs	36,240 lbs	45,300 lbs	54,360 lbs	60,000 lbs

NOTICE
- DO NOT DEADHEAD LINE BLOCK AGAINST BOOM TIP WHEN EXTENDING BOOM.
- KEEP AT LEAST 5 WRAPS OF LOADLINE ON THE WINCH DRUM AT ALL TIMES.
- USE ONLY 9/16" DIAMETER WIRE ROPE, AS SPECIFIED BELOW, WITH THE PROPER BREAKING STRENGTHS LISTED.
- ANTI-TWO-BLOCK SYSTEM MUST BE IN GOOD OPERATING CONDITION BEFORE OPERATING CRANE. SEE OPERATION & SAFETY MANUAL.

9/16" - 6 x 37 IWRC (3.5:1 S.F.)
33,600-lbs. BREAKING STRENGTH
9/16" - SPIN RESISTANT (5:1 S.F.)
45,300-lbs. BREAKING STRENGTH

CRANE MEETS ASME B30.5 REQUIREMENTS AT TIME OF MANUFACTURE

DO NOT PAINT OVER ANY LABELS 1148880 111308



Elliott Equipment Company Phone: 402-592-4500
4427 South 76th Circle Fax: 402-592-4553
Omaha, NE 68127 Email: sales@elliottequip.com

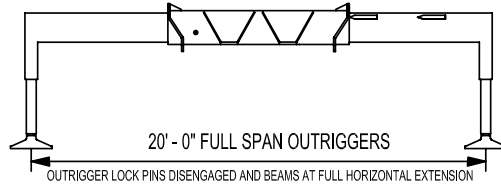
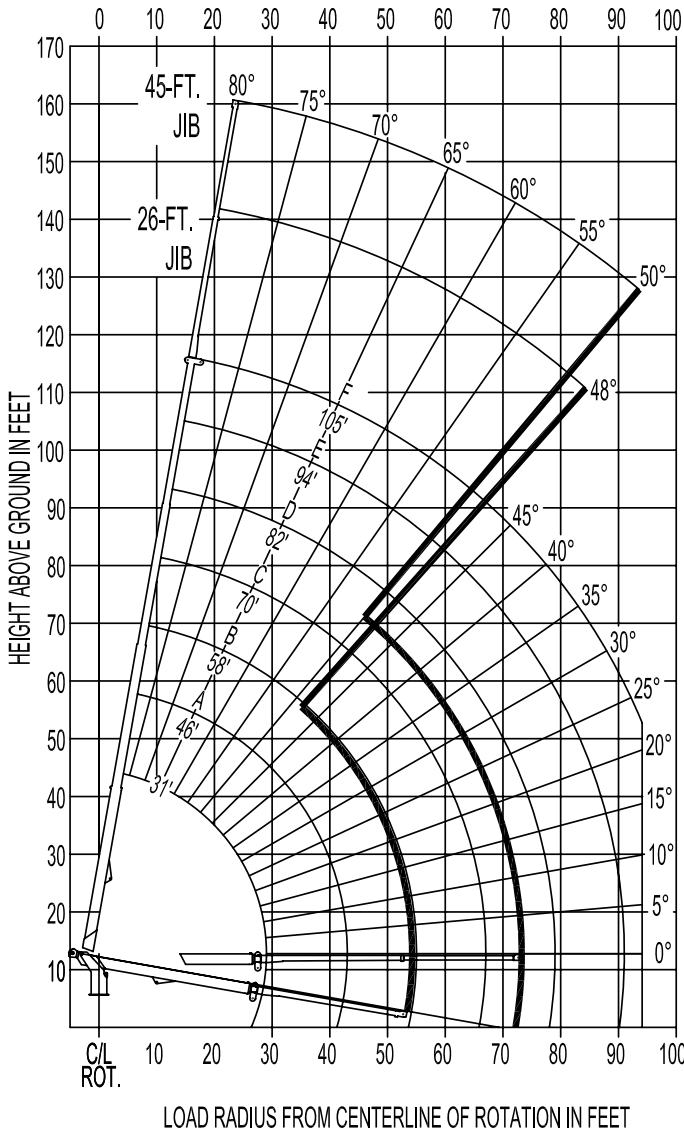
Built for You.
www.elliottequip.com

RANGE CHART - MAIN BOOM + JIB, FULL-SPAN OUTRIGGERS



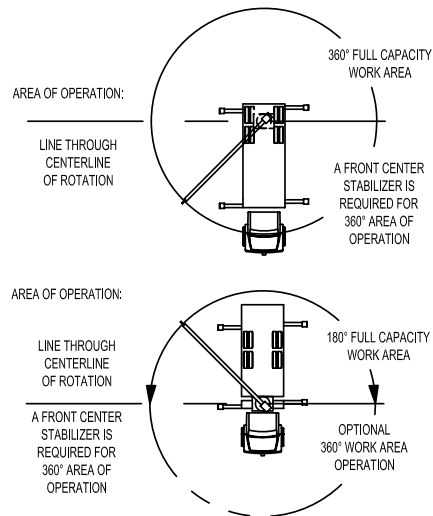
MODEL 3000 105-ft BOOM WITH DIGGER

RANGE DIAGRAM WITH FULL SPAN OUTRIGGERS



NOTE:

1. Operate jib by radius when main boom is full extended. Increase boom angle if necessary to maintain load radius.
2. When boom is retracted, operate jib by boom angles. Do not exceed any rated jib capacities at reduced boom lengths.
3. Capacities do not exceed 85% stability.
4. Load ratings above bold line are structurally limited.
5. Personnel handling is allowed only with full span outriggers.
6. Boom load ratings are based on loaded boom radius. Loaded boom angles are given as reference only.



DO NOT PAINT OVER ANY LABELS 1148880 111308



Elliott Equipment Company
 4427 South 76th Circle
 Omaha, NE 68127
 Phone: 402-592-4500
 Fax: 402-592-4553
 Email: sales@elliottequip.com

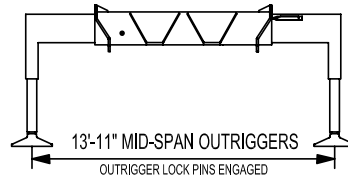
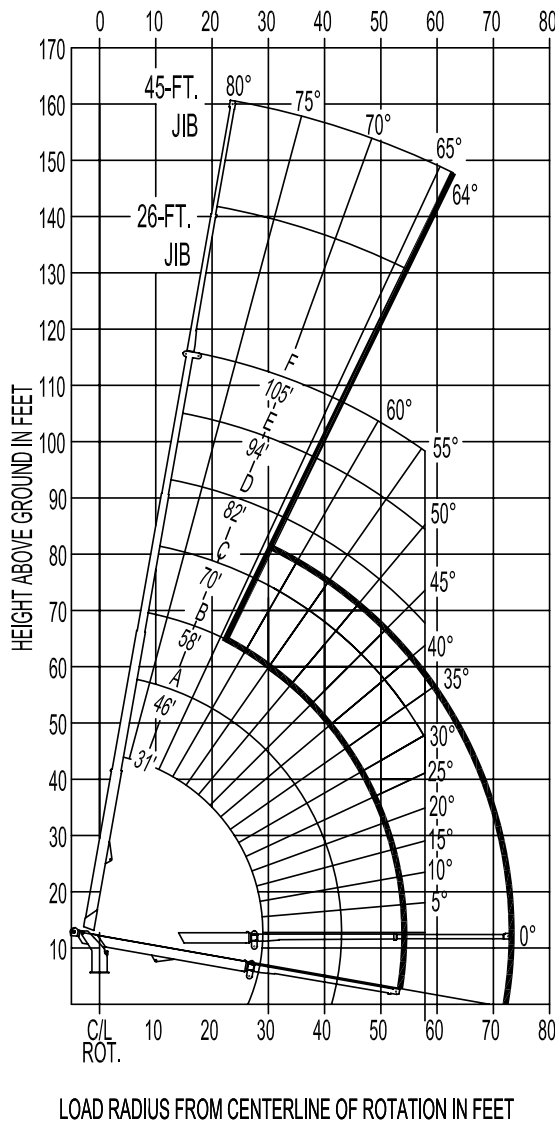
Built for You.
www.elliottequip.com

RANGE CHART - MAIN BOOM + JIB, MID-SPAN OUTRIGGERS



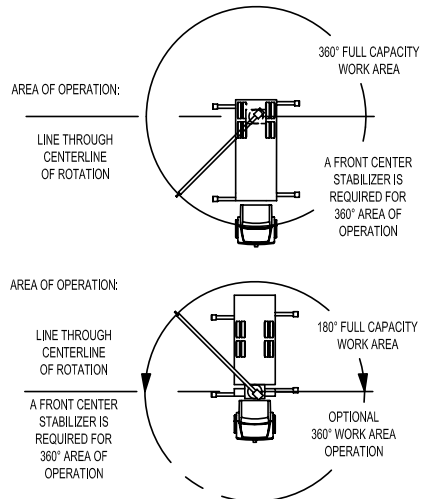
MODEL 3000 105-ft BOOM WITH DIGGER

RANGE DIAGRAM WITH OUTRIGGERS AT MID-SPAN POSITION



NOTE:

1. Operate jib by radius when main boom is full extended. Increase boom angle if necessary to maintain load radius.
2. When boom is retracted, operate jib by boom angles. Do not exceed any rated jib capacities at reduced boom lengths.
3. Capacities do not exceed stability based on ISO 4305-1991.
4. Load ratings above bold line are structurally limited.
5. Personnel handling is allowed only with full span outriggers.
6. Boom load ratings are based on loaded boom radius. Loaded boom angles are given as reference only.



DO NOT PAINT OVER ANY LABELS 1148880 111308



Elliott Equipment Company Phone: 402-592-4500
 4427 South 76th Circle Fax: 402-592-4553
 Omaha, NE 68127 Email: sales@elliottequip.com

Built for You.
www.elliottequip.com

TRUCK CHASSIS SPECIFICATIONS

	30105F-D BoomTruck
Wheelbase (WB)	268" / 681 cm
Cab to Tandem (CT)	204" / 518 cm
Cab to End of Frame (EOF)	334" / 594 cm
Frame Section Modulus	30.0 in3-110,000 psi
Front Axle Gross Weight Rating	20,000 lb / 9,071 kg
Rear Axle Gross Weight Rating	40,000 lb / 18,143 kg
Integral Front Frame Rails	Required for Front Stabilizer

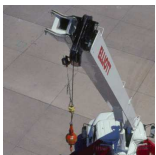
Chassis data is minimum general requirements-not for engineering.
 Actual dimensions and truck data will depend on truck selection and axle configuration.
 *Minimum chassis weight is required to meet 85% stability requirements.

OPTIONS



Hydraulic Pole Claw

Combine Elliott's digger system with a hydraulic pole claw to dig holes and place poles with a single machine.



Pin-On Jib Attachments

One piece & two piece telescoping or fixed jibs that stow on the side of the boom for easy placement while on the worksite.



Continuous Boom Rotation

Add the convenience of 360 degree continuous rotation by adding a special boom rotation bearing for swinging without stops.



Hydraulic Digger / Auger

Dig faster and deeper with Elliott's selection of auger flightings up to 48" in diameter that provide an industry-leading 44' digging radius and more power out of the hole.



Tool Boxes

Optional tool boxes and bed storage can accommodate any storage need for tools, work materials and more.



Hook Block for Multi-Part Line

Elliott can install a 2-3 part hook block or a 4 part-hook block to improve lifting capabilities. The block can be stored at the rear of the bed.



Gravity Levelled Basket

Elliott's pin-on work platform pins onto the boom for easy installation and removal. Gravity leveling and mechanical rotation makes it a great accessory for any worksite.



Body Mounted Hose Reels and Circuits

Let us work with you to customize your tool compatibility by adding hose reels or hydraulic circuits to the crane bed.