

GEHL®

RS8-44 GEN:2 TELESCOPIC HANDLER

KEY FEATURES

- ✓ 8,000 lbs. (3629 kg) Rated Capacity
- ✓ 44'0" (13.4 m) Lift Height
- ✓ 120-hp Tier IV Cummins Engine
- ✓ Multi-Function Engine Diagnostic Display
- ✓ 3-Speed Powershift Transmission
- ✓ Exceptional Visibility and Spacious Cab -
17% Increase in Cab Width
- ✓ Four-Wheel Drive / Four-Wheel Steer
- ✓ Steering Wheel Mounted Horn
- ✓ Power Port in Cab
- ✓ Single Key Start
- ✓ Lockable Storage Area in Cab
- ✓ Air Intake Heater



RS8-44 GEN:2

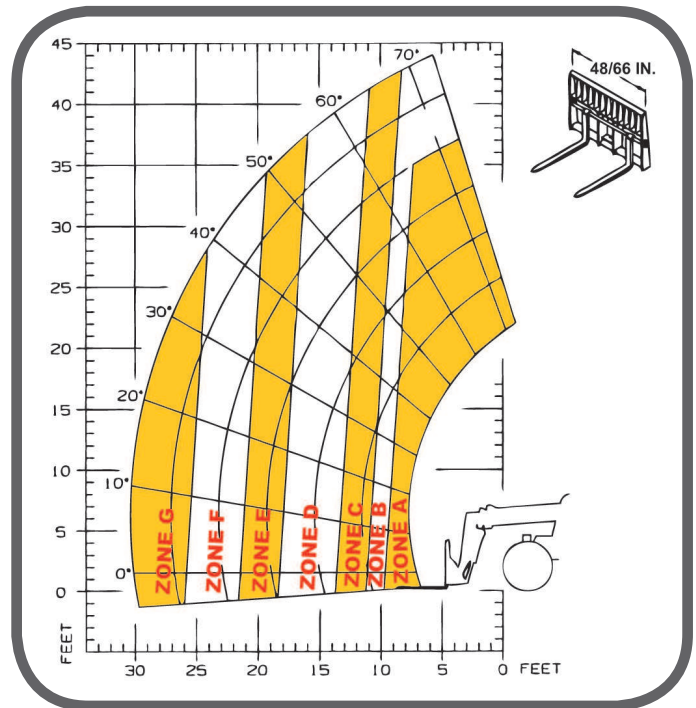
TELESCOPIC HANDLER

SPECIFICATIONS

CAPACITIES	Lift Capacity (kg)	8,000 lbs. (3629)
	Maximum Lift Height (m)	44'0" (13.4)
	Capacity at Maximum Lift Height (kg)	7,000 lbs. (3176)
	Maximum Forward Reach (m)	30'5" (9.3)
	Capacity at Max. Forward Reach (kg)	1,000 lbs. (454)
	Max. Reach Below Grade (mm)	16" (406)
ENGINE	Manufacturer	Cummins
	Power (kW)	120 hp (89)
	Aspiration	Turbocharged
	Model	QSF 3.8 Tier IV
	Rated Speed	2500 rpm
COMPONENTS	Transmission	Dana 3-speed Powershift
	Maximum Travel Speed (km/hr)	19.6 mph (31.5)
	Selective Steering	4-wheel 2-wheel Crab
	Hydraulically Actuated Internal Wet-Disc Brakes	4-Wheel
	Parking Brake	Spring-Applied, Hydraulic Release (SAHR) on Front Axle
	Axle Manufacturer	Dana
HYDRAULIC SYSTEM	Pump Type	Gear
	Total Capacity (L/min)	41.5 gpm (157)
	System Pressure (bar)	3,000 psi (207)
	Hydraulic Reservoir Capacity (L)	45 gal. (170)
GENERAL SPECIFICATIONS	Approximate Weight (kg)	23,500 lbs. (10,659)
	Length – Less Forks (m)	19'10" (6.1)
	Width (m)	8'0" (2.4)
	Ground Clearance (mm)	16" (400)
	Wheelbase (m)	10'0" (3)
	Turning Radius (m)	13'8" (4.2)
	Overall Height (m)	7'10" (2.4)
	Frame Leveling	±10°
	Fuel Capacity (L)	47 gal. (178)
	TIRE OPTIONS	13.00 x 24/12 PR
13.00 x 24/12 PR - Foam Filled		
13.00 x 24/12 PR - Rock		
13.00 x 24 Solid Rubber		

LOAD CHARTS

Load charts are based on a 24" (610 mm) load center per ANSI/ITSDF B56.6



- A** 8,000 / 8,000 lbs. (3629 / 3629 kg)
 - B** 7,000 / 8,000 lbs. (3175 / 3629 kg)
 - C** 6,000 / 8,000 lbs. (2722 / 3629 kg)
 - D** 4,000 / 6,000 lbs. (1814 / 2722 kg)
 - E** 3,000 / 4,000 lbs. (1361 / 1814 kg)
 - F** 2,000 / 4,000 lbs. (907 / 1814 kg)
 - G** 1,000 / 3,000 lbs. (454 / 1361 kg)
- outriggers up / optional outriggers down*

Gehl reminds users to read and understand the operator's manual before operating any equipment. Also, make sure all safety devices and shields are in place and functioning properly.

Gehl reserves the right to add improvements or make changes in features and specifications at any time without notice or obligation.

