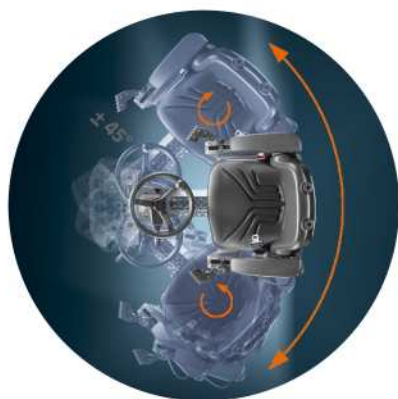


# HD 90 / 90 K



## Articulated tandem roller

- ▶ Ergonomic driver's seat with 2 multifunction control levers
- ▶ Driver's seat including steering wheel and instrument panel rotatable and pivotable
- ▶ Outstanding visibility to the surface and edge of the drum and surroundings
- ▶ Crab steering to extend the working with
- ▶ Hydrostatic all-wheel drive ensures great climbing pave
- ▶ Turbo-Diesel with high performance and low noise level
- ▶ Sprinkler system with 2 water pumps, spraying jets visible from the driver's seat



# HD 90 / HD 90K



TECHNICAL DATA	HD 90	HD 90K
----------------	-------	--------

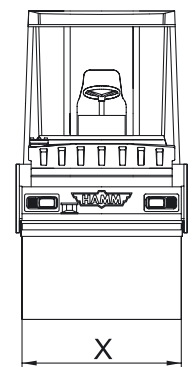
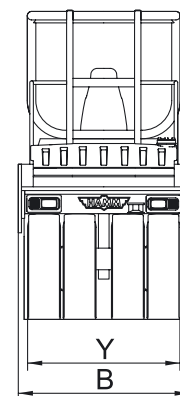
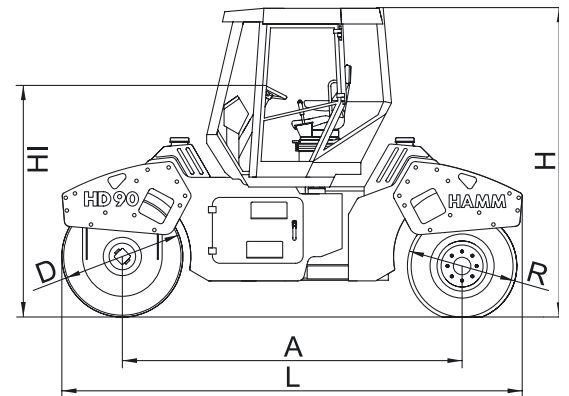
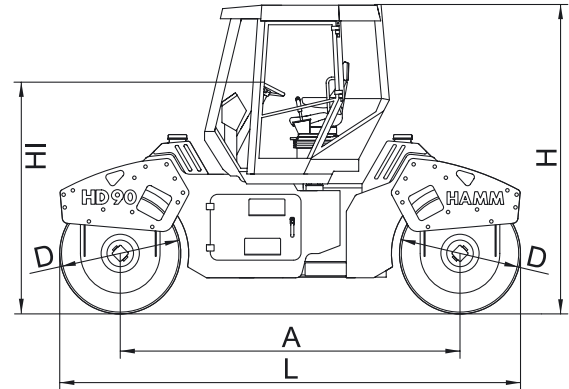
Weights			
Operating weight	kg	9190	8585
Maximum weight	kg	11900	11400
Axle load, front/rear	kg	4630/4560	4625/3960
Load per tire, rear	kg		990
Static linear load, front/rear	kg/cm	27,6/27,1	
Static linear load, front	kg/cm		27,5
Machine dimensions			
Max. working width	mm	1780	1750
Turning radius, inside	mm	3961	3961
Size of tires, rear			11.00-20
Diesel engine			
Manufacturer		DEUTZ	DEUTZ
Type		TCD 2012 L04 2V	TCD 2012 L04 2V
Number of cylinders		4	4
Power rat. ISO 14396, kW/PS/rpm		100,0/136,0/2300	100,0/136,0/2300
Power rating SAE J1349, kW/HP/rpm		100,0/134,0/2300	100,0/134,0/2300
Drive			
Hydrostatic drive, front/rear		Hydr. motor/hydr. motor	Hydr. motor/hydr. motor
Speed, working gear	km/h	0-7,4	0-7,4
Speed, transportation gear	km/h	0-14,8	0-14,8
Climbing ability, vibration on/off	%	30/40	30/40
Vibration system			
Hydrostatic drive, double drum vibration			
Vibration			
Vibration frequency, front, I/II	Hz	42/50	42/50
Vibration frequency, rear, I/II	Hz	42/50	
Amplitude, front, I/II	mm	0,65/0,36	0,65/0,36
Amplitude, rear, I/II	mm	0,65/0,36	
Centrifugal force, front, I/II	kN	75/59	75/59
Centrifugal force, rear, I/II	kN	75/59	
Steering			
Steering, type		Pivoted steering	Pivoted steering
Steering, actuation		hydrostatic, steer. wheel	hydrostatic, steer. wheel
Steering lock +/-	Grad	39	39
Oscillation angle +/-	Grad	10	10
Brake system			
Service brake, mode of action		hydrostatic	hydrostatic
Service brake, actuation		Drive lever	Drive lever
Parking brake, mode of action		Spring-loaded/mechanical	Spring-loaded/mechanical
Parking brake, actuation		electr. a. autom.	electr. a. autom.
Emergency brake, mode of action		hydr./mech.	hydr./mech.
Emergency brake, actuation		Emergency stop	Emergency stop
Sprinkler system			
Water sprinkler, type		Pressure	Pressure
Actuation, sprinkling		interval/manual	interval/manual
Water tank, capacity	Ltr.	900	900
Additive sprinkling, type			Pressure
Actuation, additive sprinkling			Push button
Additive tank, capacity	Ltr.		22

**Equipment**  
 Spring loaded driving position, 1 swivelling and turning driver seat, 2 multifunctional levers, left and right at seat. Indicators for: engine temperature, working hours, fuel tank, control lights and emergency stop button, 2 working lights rear, main battery switch, triple oil filter, indicators for: hydraulic oil temperature, water level. CE prepared.

**Optional**  
 Panoramic ROPS cabin with: heating, dust-free ventilation, sun shade interior lighting, front and rear wipers, interior mirror, beacon, lighting according to German Road Regulation ROPS/FOPS, safety belt, speedometer, sound insulation, sun top, pressing and cutting equipment, radio, special paint, sponge roll, bitumen-temperature gauge, back-up alarm, adjustable vibration: front/rear/double.

Further data on request / subject to change

HD 90 - Articulated tandem roller  
 HD 90K - Articulated combination tandem roller



	HD 90	HD 90K
Total length	L 4600	4600
Width	B 1810	1810
Total height	H 3040	3050
Wheel base	A 3400	3400
Roller drum width	X 1680	1680
Drum diameter	D 1200	1200
Width over tires	Y 1620	1620
Diameter of tires	R 1030	1030
Height loading, min.	HI 2360	2360