

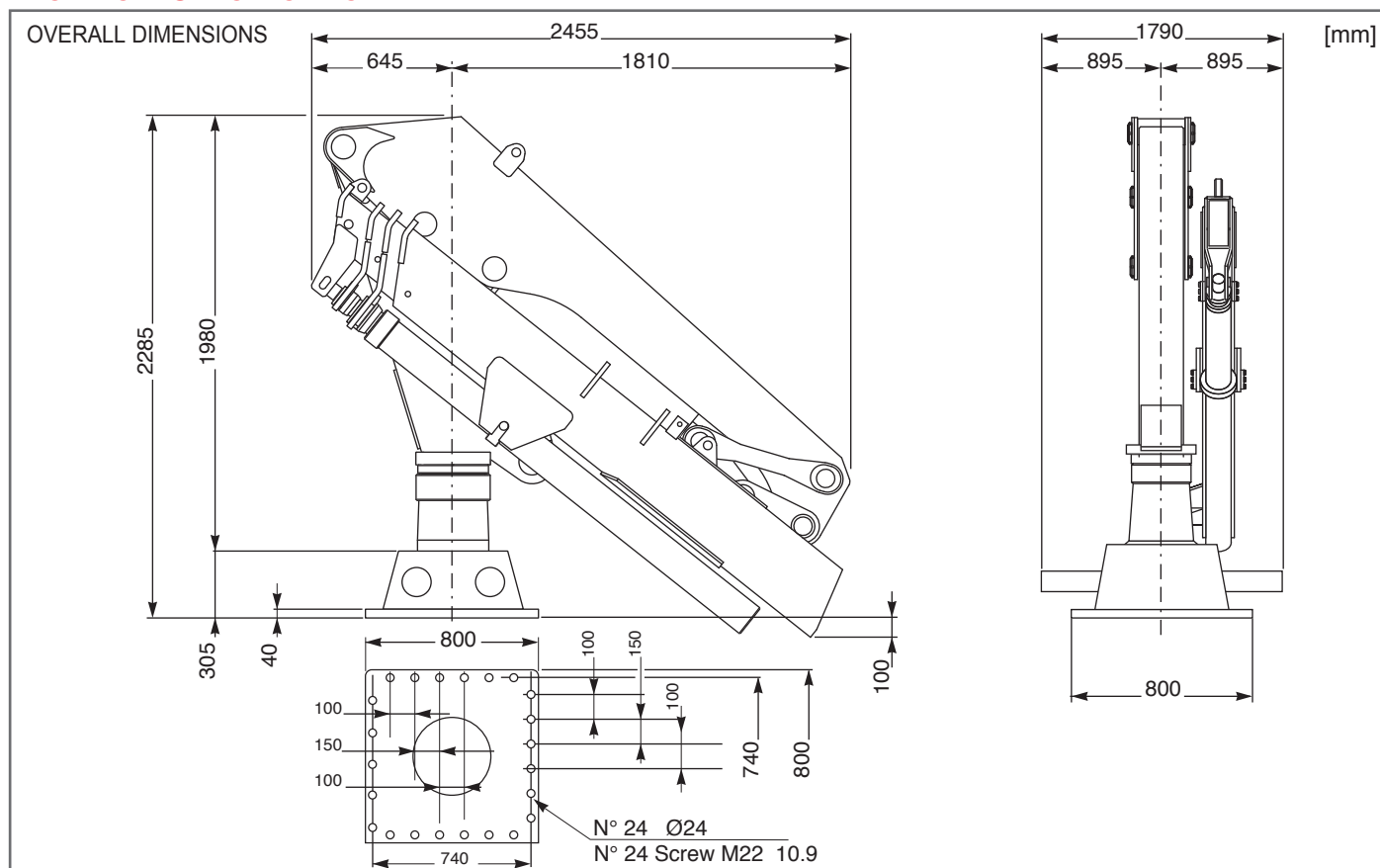


Custom Built Marine & Offshore Cranes

FULLY FOLDABLE CRANE

# HLM 20-3S MODEL

## TECHNICAL SPECIFICATION



TECHNICAL DATA					
Hydraulic extensions	N°	3	Empty weight of the crane	kg	3050
Net lifting moment	t-m	14,5	Recommended amount of oil	lt	200
Slewing torque	kg-m	2900	Slewing speed	rpm	0,8
Slewing angle (continuous)	°	400	Main boom lifting time	sec	35
Pump capacity	lt/min	45	Secondary boom articulation time	sec	35
Max working pressure	bar	260	Boom element extension time	sec	70
STANDARD FEATURES			AVAILABLE OPTIONS		
			2000 kg direct pull winch rope Ø 14		
			Winch limit switch		
			Column-mounted control panel		
			Moment limiting device		
			Size 5 electrohydraulic power pack (22 kW)		
			Control panel out of the crane		
			1st manual extension 1320 kg @ 12,65 m (**)		
			2nd manual extension 900 kg @ 14,74 m (**)		
			(**) The use is not allowed for winching purposes		

June 2014

HLM20-3S Rev.00

The technical data contained in this card are only indicative and can be changed without notice.

HEILA CRANES S.p.A. | Via Romana 34/6 - 42028 Poviglio (RE) Italy | info@heila.com | www.heila.com

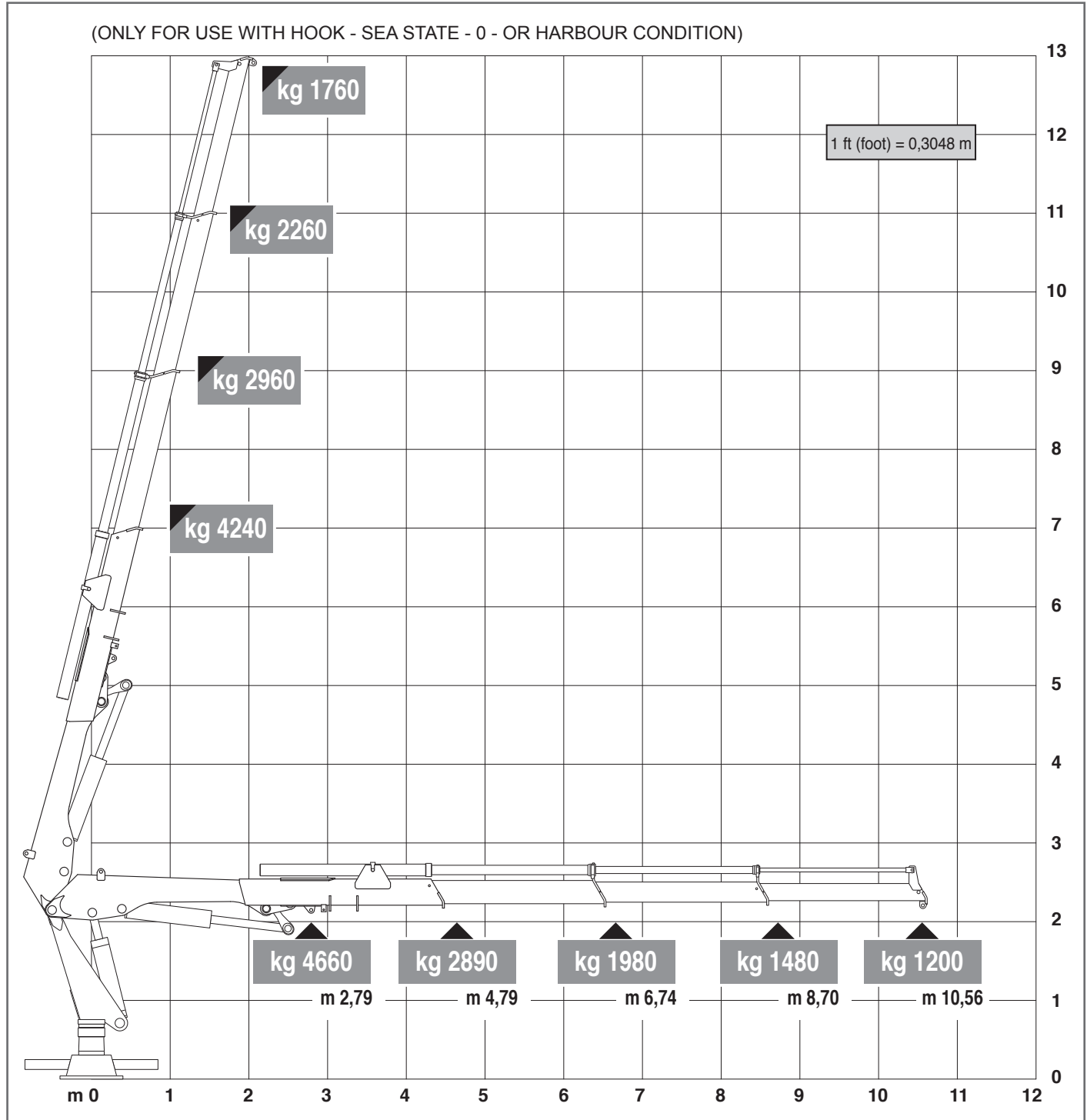


Custom Built Marine & Offshore Cranes

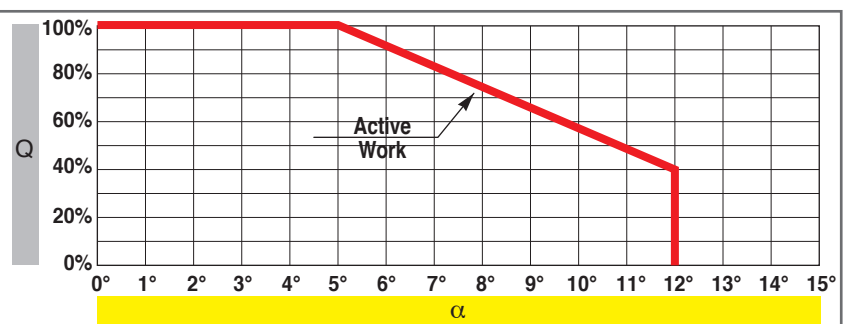
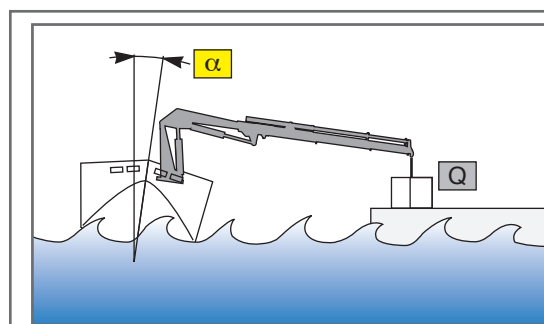
FULLY FOLDABLE CRANE

# HLM 20-3S MODEL

## TECHNICAL SPECIFICATION



June 2014



The technical data contained in this card are only indicative and can be changed without notice.

HLM20-3S Rev.00

HEILA CRANES S.p.A. | Via Romana 34/6 - 42028 Poviglio (RE) Italy | info@heila.com | www.heila.com