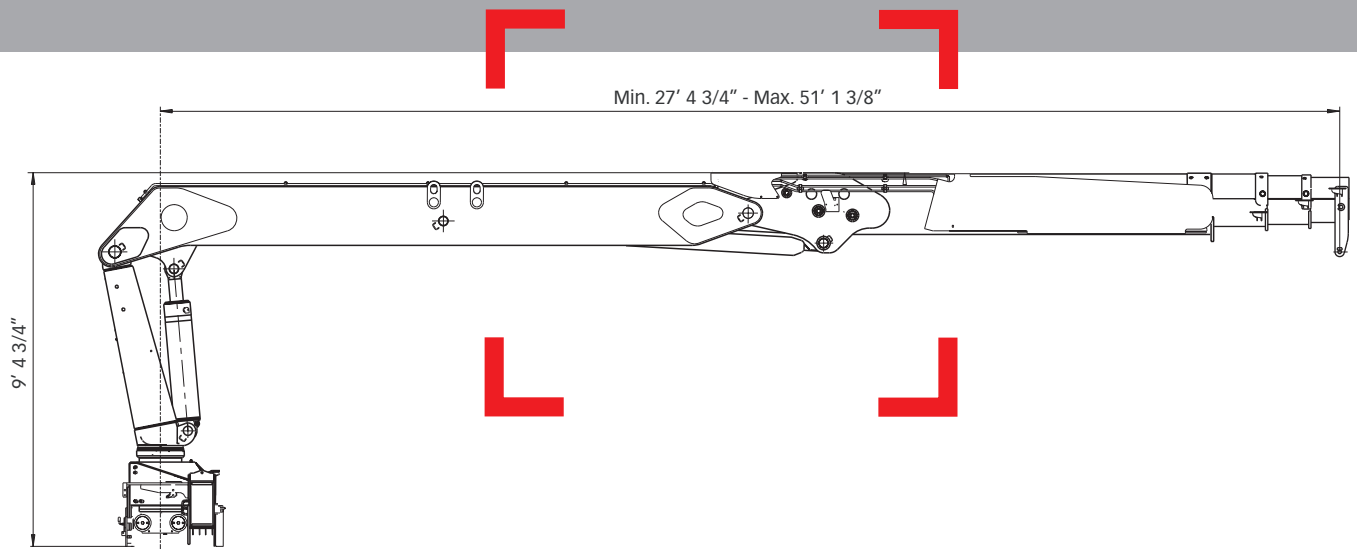


# HIAB 255 K Range 167,000-180,000 ft-lbs (23-25 tm)



Basic data

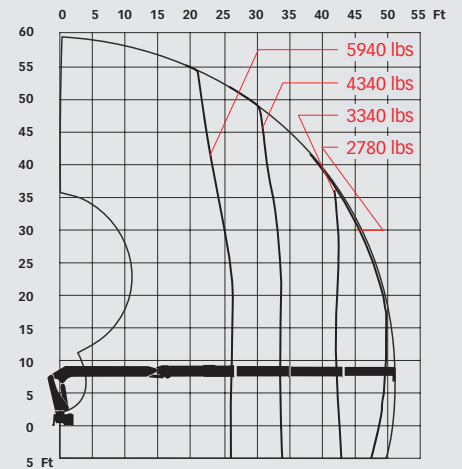
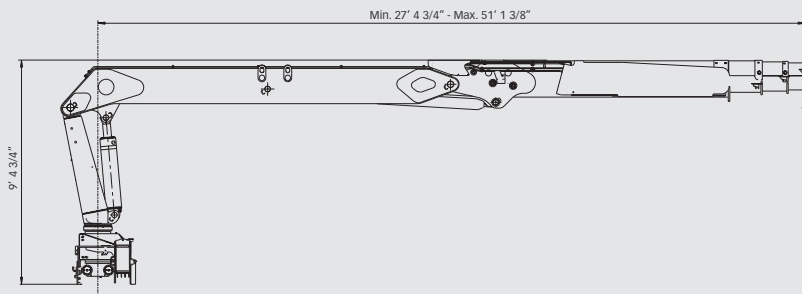
# HIAB 255 K Basic data

## Technical data

K-3

Max. lifting capacity (ft-lbs)	156400
Outreach - hydraulic extensions	51' 1"
Outreach - manual extensions	-
Outreach / Lifting capacity, standard (lbs)	26' 6" / 5940
	33' 8" / 4340
	41' 9" / 3340
	49' 6" / 2780
Slewing angle	450°
Height with horizontal boom	9' 5"
Width in folded position	-
Installation space needed	2' 9"
Weight - "standard" crane without stabilizers (lbs)	8217
Weight - stabilizer equipment (lbs)	1285

## HIAB 255 K-3



### Disclaimer

Hiab cranes have been built to meet the highest standards of safety and service life and have been thoroughly tested. Strength calculations for this model have been carried out in accordance with EN13001. Hiab's certified Quality Assurance System complies with the ISO 9001. Some of the items in our literature may be extra equipment. Certain applications may require an official permit. We reserve the right to change technical specifications without prior notice. Hiab cranes produced for EU-countries are CE-marked and comply with the European Standard EN 12999.