

ZAXIS | DASH-5 UTILITY-CLASS EXCAVATORS

ZX350LC-5

202 kW (271 hp)

ZX350LC



HITACHI

Courtesy of Machine.Market

| | | | |
|--|---|---------------------|--------------------|
| Engine | | ZX350LC-5 | |
| Manufacturer and Model | Isuzu 6HKIXYSA-S2 | | |
| Non-Road Emission Standard | EPA Interim Tier 4/EU Stage IIIB | | |
| Net Rated Power (ISO 9249) | 202 kW (271 hp) @ 1,900 rpm | | |
| Cylinders | 6 | | |
| Displacement | 7.79 L (475 cu. in.) | | |
| Off Level Capacity | 70% (35 deg.) | | |
| Aspiration | Turbocharged, air-to-air charge-air cooler | | |
| Cooling | | | |
| Direct-driven, high-efficiency, low-noise, suction-type fan | | | |
| Powertrain | | | |
| 2-speed propel with automatic shift | | | |
| Maximum Travel Speed | | | |
| Low | 3.2 km/h (2.0 mph) | | |
| High | 5.0 km/h (3.1 mph) | | |
| Drawbar Pull | 29 200 kg (64,375 lb.) | | |
| Hydraulics | | | |
| Open center, load sensing | | | |
| Main Pumps | | | |
| 2 variable-displacement pumps | | | |
| Maximum Rated Flow | 288 L/m (76.1 gpm) x 2 | | |
| Pilot Pump | | | |
| One gear | | | |
| Maximum Rated Flow | 34 L/m (8.9 gpm) | | |
| Pressure Setting | 3900 kPa (566 psi) | | |
| System Operating Pressure | | | |
| Circuits | | | |
| Implement | 34 300 kPa (4,975 psi) | | |
| Travel | 35 500 kPa (5,149 psi) | | |
| Swing | 33 300 kPa (4,830 psi) | | |
| Power Boost | 38 000 kPa (5,511 psi) | | |
| Controls | | | |
| Pilot levers, short-stroke, low-effort hydraulic pilot controls with shutoff lever | | | |
| Cylinders | | | |
| | Bore | Rod Diameter | Stroke |
| Boom (2) | 145 mm (5.7 in.) | 100 mm (3.9 in.) | 1520 mm (59.8 in.) |
| Arm (1) | 170 mm (6.7 in.) | 115 mm (4.5 in.) | 1740 mm (68.5 in.) |
| Bucket (1) | 140 mm (5.5 in.) | 95 mm (3.7 in.) | 1250 mm (49.2 in.) |
| Electrical | | | |
| Number of Batteries (12 volt) | 2 | | |
| Battery Capacity | 1,400 CCA | | |
| Alternator Rating | 50 amp | | |
| Work Lights | 2 halogen (one mounted on boom, one on frame) | | |
| Undercarriage | | | |
| Rollers (each side) | | | |
| Carrier | 2 | | |
| Track | 8 | | |
| Shoes, Triple Semi-Grousers (each side) | 48 | | |
| Track | | | |
| Adjustment | Hydraulic | | |
| Guides | Front, center, and rear | | |
| Chain | Sealed and lubricated | | |
| Ground Pressure | | | |
| 800-mm (32 in.) Triple Semi-Grouser Shoes | 52.6 kPa (7.63 psi) | | |
| Swing Mechanism | | | |
| Speed | 10.7 rpm | | |
| Torque | 120 000 Nm (88,507 lb.-ft.) | | |

DASH-5

Serviceability ZX350LC-5

| Refill Capacities | |
|------------------------|-------------------|
| Fuel Tank | 630 L (166 gal.) |
| Cooling System | 40 L (11 gal.) |
| Engine Oil with Filter | 48 L (13 gal.) |
| Hydraulic Tank | 180 L (48 gal.) |
| Hydraulic System | 290 L (77 gal.) |
| Swing Drive | 11.8 L (12.5 qt.) |
| Gearbox | |
| Propel (each) | 8.5 L (9.0 qt.) |
| Pump Drive | 1.1 L (1.2 qt.) |

Operating Weights

With full fuel tank; 79-kg (175 lb.) operator; 1.76-m³ (2.3 cu. yd.), 1370-mm (54 in.), 1160-kg (2,557 lb.) bucket; 4.0-m (13 ft. 1 in.) arm; 6928-kg (15,274 lb.) counterweight; and 800-mm (32 in.) triple semi-grouser shoes

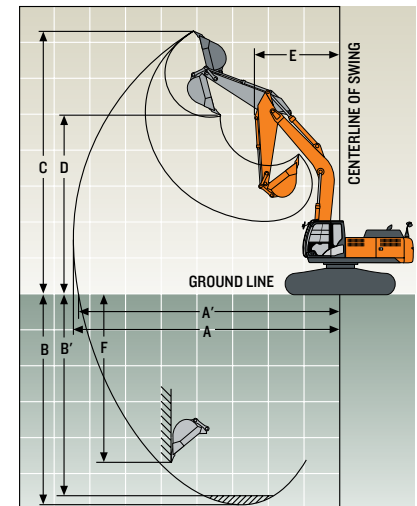
| | |
|------------------|------------------------|
| Operating Weight | 34 590 kg (76,258 lb.) |
|------------------|------------------------|

Optional Components

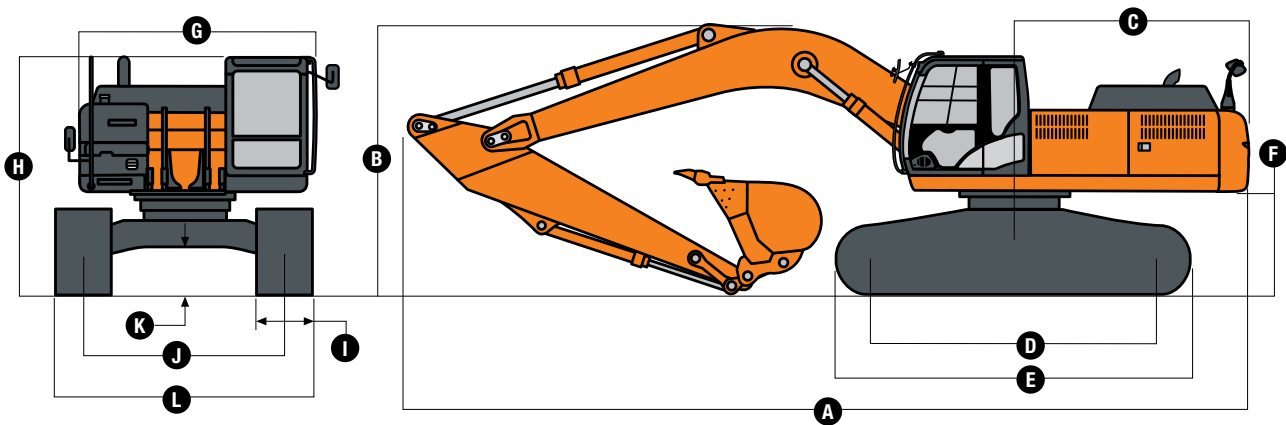
| Undercarriage w/ Triple Semi-Grouser Shoes | |
|---|------------------------|
| 800 mm (32 in.) | 12 710 kg (28,020 lb.) |
| One-Piece Boom (with arm cylinder) | |
| 3031 kg (6,682 lb.) | |
| Arm with Bucket Cylinder and Linkage | |
| 2.66 m (8 ft. 9 in.) | 1649 kg (3,635 lb.) |
| 3.2 m (10 ft. 6 in.) | 1758 kg (3,876 lb.) |
| 4.0 m (13 ft. 1 in.) | 1898 kg (4,184 lb.) |
| Boom Lift Cylinders (2) Total Weight | |
| 624 kg (1,376 lb.) | |
| 1.76 m ³ (2.3 cu. yd.), 1370 mm (54 in.) | |
| Heavy-Duty Bucket | 1160 kg (2,557 lb.) |
| Counterweight, Standard | 6928 kg (15,274 lb.) |

Operating Dimensions

| Arm Length | 2.66 m (8 ft. 9 in.) | 3.2 m (10 ft. 6 in.) | 4.0 m (13 ft. 1 in.) |
|---|------------------------|------------------------|-------------------------|
| Arm Digging Force | | | |
| SAE | 204.2 kN (45,914 lb.) | 177.6 kN (39,930 lb.) | 152.6 kN (34,314 lb.) |
| ISO | 222 kN (49,908 lb.) | 185 kN (41,590 lb.) | 159 kN (35,745 lb.) |
| Bucket Digging Force | | | |
| SAE | 225.2 kN (50,628 lb.) | 225.2 kN (50,628 lb.) | 225.2 kN (50,628 lb.) |
| ISO | 246 kN (55,303 lb.) | 246 kN (55,303 lb.) | 246 kN (55,303 lb.) |
| A Maximum Reach | 10.57 m (34 ft. 8 in.) | 11.10 m (36 ft. 5 in.) | 11.86 m (38 ft. 11 in.) |
| A' Maximum Reach at Ground Level | 10.36 m (34 ft.) | 10.89 m (35 ft. 9 in.) | 11.67 m (38 ft. 3 in.) |
| B Maximum Digging Depth | 6.84 m (22 ft. 5 in.) | 7.38 m (24 ft. 3 in.) | 8.18 m (26 ft. 10 in.) |
| B' Maximum Digging Depth at 2.44-m (8 ft.) Flat Bottom | 6.64 m (21 ft. 9 in.) | 7.21 m (23 ft. 8 in.) | 8.04 m (26 ft. 5 in.) |
| C Maximum Cutting Height | 9.99 m (32 ft. 9 in.) | 10.36 m (34 ft.) | 10.75 m (35 ft. 3 in.) |
| D Maximum Dumping Height | 6.94 m (22 ft. 9 in.) | 7.24 m (23 ft. 9 in.) | 7.63 m (25 ft.) |
| E Minimum Swing Radius | 4.61 m (15 ft. 1 in.) | 4.46 m (14 ft. 8 in.) | 4.47 m (14 ft. 8 in.) |
| F Maximum Vertical Wall | 5.51 m (18 ft. 1 in.) | 6.42 m (21 ft. 1 in.) | 7.27 m (23 ft. 10 in.) |



| Machine Dimensions | ZX350LC-5 | |
|---|------------------------|--|
| A Overall Length | | |
| 2.66 m (8 ft. 9 in.) | 11.33 m (37 ft. 2 in.) | |
| 3.2 m (10 ft. 6 in.) | 11.20 m (36 ft. 9 in.) | |
| 4.0 m (13 ft. 1 in.) | 11.29 m (37 ft. 1 in.) | |
| B Overall Height | | |
| 2.66 m (8 ft. 9 in.) | 3.47 m (11 ft. 5 in.) | |
| 3.2 m (10 ft. 6 in.) | 3.27 m (10 ft. 9 in.) | |
| 4.0 m (13 ft. 1 in.) | 3.60 m (11 ft. 10 in.) | |
| C Rear-End Length/Swing Radius | | |
| | 3.60 m (11 ft. 10 in.) | |
| D Distance Between Idler/Sprocket Centerline | | |
| | 4.05 m (13 ft. 3 in.) | |
| E Undercarriage Length | | |
| | 4.94 m (16 ft. 2 in.) | |
| F Counterweight Clearance | | |
| | 1.18 m (3 ft. 10 in.) | |
| G Upperstructure Width | | |
| | 2.99 m (9 ft. 10 in.) | |
| H Cab Height | | |
| | 3.14 m (10 ft. 4 in.) | |
| I Track Width w/ Triple Semi-Grouser Shoes | | |
| | 800 mm (32 in.) | |
| J Gauge Width | | |
| | 2.59 m (8 ft. 6 in.) | |
| K Ground Clearance | | |
| | 0.50 m (20 in.) | |
| L Overall Width w/ Triple Semi-Grouser Shoes | | |
| 800 mm (32 in.) | 3.39 m (11 ft. 2 in.) | |



DASH-5

Lift Charts

ZX350LC-5

Boldface type indicates hydraulically limited capacity; lightface type indicates stability-limited capacities, in kg (lb.). Ratings at bucket lift hook; machine equipped with 1160-kg (2,557 lb.) bucket and 800-mm (32 in.) shoes; standard gauge; and situated on firm, uniform supporting surface. Total load includes weight of cables, hook, etc. Figures do not exceed 87 percent of hydraulic capacities or 75 percent of weight needed to tip machine. All lift capacities are based on ISO 10567.

| Load Point Height | 1.5 m (5 ft.) | | 3.0 m (10 ft.) | | 4.5 m (15 ft.) | | 6.0 m (20 ft.) | | 7.5 m (25 ft.) | | 9.0 m (30 ft.) | |
|---|-----------------|-----------------|-----------------|-----------------|-----------------|-----------------|-----------------|-----------------|-----------------|-----------------|-----------------|----------------|
| Horizontal Distance from Centerline of Rotation | Over Front | Over Side | Over Front | Over Side | Over Front | Over Side | Over Front | Over Side | Over Front | Over Side | Over Front | Over Side |
| With 2.66-m (8 ft. 9 in.) arm | | | | | | | | | | | | |
| 6.0 m (20 ft.) | | | | | | | 9496 | 9213 | 8705 | 6162 | | |
| | | | | | | | (20,636) | (19,803) | (19,093) | (13,179) | | |
| 4.5 m (15 ft.) | | | | | 14 206 | 14 021 | 10 894 | 8801 | 9279 | 6021 | | |
| | | | | | (30,447) | (30,255) | (23,562) | (18,960) | (20,190) | (12,922) | | |
| 3.0 m (10 ft.) | | | | | 17 742 | 12 827 | 12 506 | 8285 | 9573 | 5798 | | |
| | | | | | (38,067) | (27,693) | (27,011) | (17,857) | (20,571) | (12,462) | | |
| 1.5 m (5 ft.) | | | | | | | 13 399 | 7868 | 9319 | 5570 | | |
| | | | | | | | (28,794) | (16,949) | (20,037) | (11,982) | | |
| Ground Line | | | | | 18 814 | 11 932 | 13 127 | 7634 | 9155 | 5423 | | |
| | | | | | (42,867) | (25,647) | (28,197) | (16,432) | (19,685) | (11,666) | | |
| -1.5 m (-5 ft.) | | | 12 495 | 12 495 | 18 754 | 11 959 | 13 059 | 7575 | 9117 | 5389 | | |
| | | | (28,545) | (28,545) | (40,705) | (25,693) | (28,045) | (16,301) | (19,617) | (11,605) | | |
| -3.0 m (-10 ft.) | | | 21 868 | 21 868 | 16 665 | 12 147 | 12 606 | 7679 | | | | |
| | | | (47,544) | (47,544) | (36,066) | (26,109) | (27,142) | (16,540) | | | | |
| -4.5 m (-15 ft.) | | | 16 500 | 16 500 | 12 776 | 12 551 | | | | | | |
| | | | (35,354) | (35,354) | (27,209) | (27,027) | | | | | | |
| With 3.2-m (10 ft. 6 in.) arm | | | | | | | | | | | | |
| 6.0 m (20 ft.) | | | | | | | | | 8008 | 6249 | | |
| | | | | | | | | | (17,528) | (13,381) | | |
| 4.5 m (15 ft.) | | | | | | | 10 108 | 8940 | 8700 | 6077 | | |
| | | | | | | | (21,858) | (19,242) | (18,923) | (13,042) | | |
| 3.0 m (10 ft.) | | | | | 16 457 | 13 179 | 11 834 | 8402 | 9604 | 5832 | 7003 | 4180 |
| | | | | | (35,331) | (28,428) | (25,561) | (18,102) | (20,664) | (12,529) | (15,009) | (8936) |
| 1.5 m (5 ft.) | | | | | 19 033 | 12 300 | 13 321 | 7933 | 9338 | 5579 | 6882 | 4069 |
| | | | | | (41,053) | (26,492) | (28,796) | (17,084) | (20,070) | (11,995) | (14,768) | (8714) |
| Ground Line | | | | | 19 818 | 11 930 | 13 140 | 7635 | 9132 | 5395 | 6794 | 3988 |
| | | | | | (42,912) | (25,649) | (28,219) | (16,430) | (19,628) | (11,598) | (14,592) | (8,553) |
| -1.5 m (-5 ft.) | | | 11 956 | 11 956 | 19 291 | 11 864 | 13 002 | 7516 | 9042 | 5314 | | |
| | | | (27,138) | (27,138) | (41,824) | (25,490) | (27,916) | (16,168) | (19,442) | (11,431) | | |
| -3.0 m (-10 ft.) | 14 280 | 14 280 | 19 673 | 19 673 | 17 649 | 11 988 | 13 051 | 7558 | 9105 | 5371 | | |
| | (32,048) | (32,048) | (44,674) | (44,674) | (38,194) | (25,762) | (28,032) | (16,269) | (19,608) | (11,580) | | |
| -4.5 m (-15 ft.) | | | 19 521 | 19 521 | 14 491 | 12 307 | 10 645 | 7794 | | | | |
| | | | (41,956) | (41,956) | (31,054) | (26,481) | (22,511) | (16,823) | | | | |
| With 4.0-m (13 ft. 1 in.) arm | | | | | | | | | | | | |
| 6.0 m (20 ft.) | | | | | | | | | 7015 | 6409 | 5727 | 4442 |
| | | | | | | | | | (15,348) | (13,734) | (11,021) | (9,453) |
| 4.5 m (15 ft.) | | | | | | | | | 7813 | 6203 | 7212 | 4370 |
| | | | | | | | | | (16,997) | (13,312) | (15,462) | (9,335) |
| 3.0 m (10 ft.) | | | | | 14 409 | 13 717 | 10 708 | 8612 | 8838 | 5923 | 7070 | 4234 |
| | | | | | (30,952) | (29,563) | (23,138) | (18,543) | (19,174) | (12,721) | (15,160) | (9,058) |
| 1.5 m (5 ft.) | | | | | 17 673 | 12 624 | 12 469 | 8065 | 9401 | 5626 | 6904 | 4082 |
| | | | | | (38,094) | (27,185) | (26,955) | (17,362) | (20,198) | (12,090) | (14,815) | (8,741) |
| Ground Line | | | 6735 | 6735 | 19 386 | 12 004 | 13 195 | 7669 | 9133 | 5386 | 6766 | 3955 |
| | | | (15,416) | (15,416) | (41,927) | (25,812) | (28,331) | (16,500) | (19,623) | (11,573) | (14,526) | (8,476) |
| -1.5 m (-5 ft.) | 6807 | 6807 | 10 880 | 10 880 | 19 638 | 11 769 | 12 949 | 7458 | 8974 | 5244 | 6692 | 3887 |
| | (15,227) | (15,227) | (24,662) | (24,662) | (42,536) | (25,286) | (27,797) | (16,037) | (19,285) | (11,269) | (14,381) | (8,342) |
| -3.0 m (-10 ft.) | 11 398 | 11 398 | 16 291 | 16 291 | 18 694 | 11 779 | 12 899 | 7414 | 8945 | 5218 | | |
| | (25,572) | (25,572) | (36,941) | (36,941) | (40,455) | (25,307) | (27,693) | (15,947) | (19,236) | (11,226) | | |
| -4.5 m (-15 ft.) | 16 873 | 16 873 | 23 293 | 23 293 | 16 436 | 11 987 | 12 165 | 7536 | 8817 | 5356 | | |
| | (38,021) | (38,021) | (50,183) | (50,183) | (35,373) | (25,775) | (26,067) | (16,233) | (18,456) | (11,576) | | |
| -6.0 m (-20 ft.) | | | 16 669 | 16 669 | 12 038 | 12 038 | | | | | | |
| | | | (35,135) | (35,135) | (25,239) | (25,239) | | | | | | |

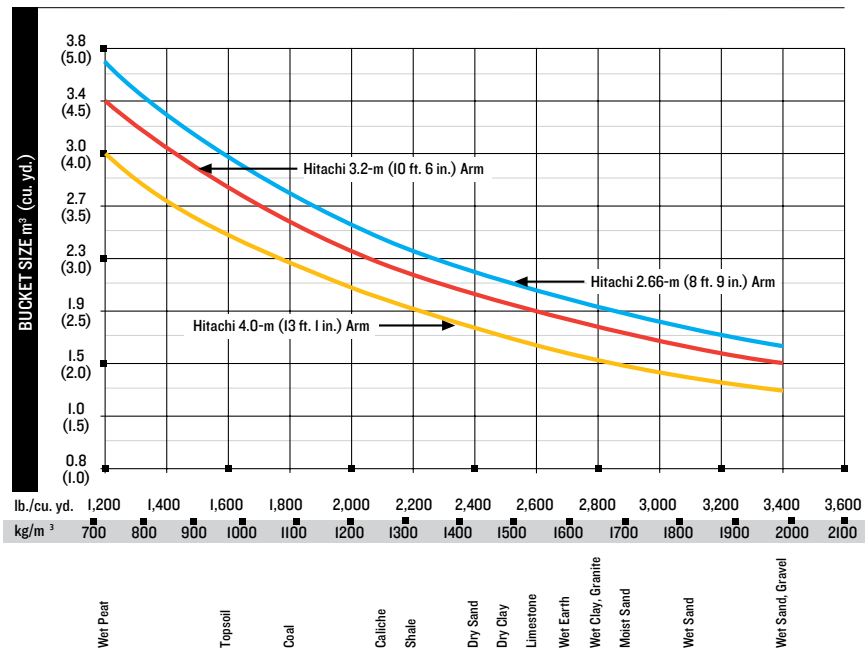
Buckets

ZX350LC-5

A full line of buckets is offered to meet a wide variety of applications. Digging forces are with power boost. Buckets are equipped with ESCO teeth standard. Replaceable cutting edges and a variety of teeth are available through Hitachi parts. Optional side cutters add 150 mm (6 in.) to bucket widths. Capacities are SAE heaped ratings.

| Type Bucket | Bucket Width | | Bucket Capacity | | Bucket Weight | | Bucket Dig Force | | Arm Dig Force 2.66 m (8 ft. 9 in.) | | Arm Dig Force 3.2 m (10 ft. 6 in.) | | Arm Dig Force 4.0 m (13 ft. 1 in.) | | Bucket Tip Radius | | Number of Teeth |
|--------------------------|--------------|-----|-----------------|---------|---------------|-------|------------------|--------|---------------------------------------|--------|---------------------------------------|--------|---------------------------------------|--------|-------------------|------|-----------------|
| | mm | in. | m ³ | cu. yd. | kg | lb. | kN | lb. | kN | lb. | kN | lb. | kN | lb. | mm | in. | |
| Heavy Duty | 914 | 36 | 1.13 | 1.5 | 971 | 2,140 | 225.2 | 50,627 | 204.2 | 45,906 | 177.6 | 39,926 | 152.6 | 34,306 | 1600 | 63.0 | 4 |
| | 1067 | 42 | 1.34 | 1.7 | 1003 | 2,212 | 225.2 | 50,627 | 204.2 | 45,906 | 177.6 | 39,926 | 152.6 | 34,306 | 1600 | 63.0 | 5 |
| | 1219 | 48 | 1.55 | 2.0 | 1055 | 2,326 | 225.2 | 50,627 | 204.2 | 45,906 | 177.6 | 39,926 | 152.6 | 34,306 | 1600 | 63.0 | 6 |
| | 1372 | 54 | 1.76 | 2.3 | 1161 | 2,559 | 225.2 | 50,627 | 204.2 | 45,906 | 177.6 | 39,926 | 152.6 | 34,306 | 1600 | 63.0 | 6 |
| Heavy Duty High Capacity | 760 | 30 | 0.96 | 1.3 | 1142 | 2,518 | 204.2 | 45,906 | 196.6 | 44,197 | 171.7 | 38,600 | 148.3 | 33,339 | 1765 | 69.5 | 4 |
| | 915 | 36 | 1.19 | 1.6 | 1263 | 2,783 | 204.2 | 45,906 | 196.6 | 44,197 | 171.7 | 38,600 | 148.3 | 33,339 | 1765 | 69.5 | 4 |
| | 1065 | 42 | 1.41 | 1.8 | 1416 | 3,123 | 204.2 | 45,906 | 196.6 | 44,197 | 171.7 | 38,600 | 148.3 | 33,339 | 1765 | 69.5 | 5 |
| | 1220 | 48 | 1.64 | 2.1 | 1506 | 3,321 | 204.2 | 45,906 | 196.6 | 44,197 | 171.7 | 38,600 | 148.3 | 33,339 | 1765 | 69.5 | 6 |
| | 1372 | 54 | 1.87 | 2.4 | 1617 | 3,565 | 204.2 | 45,906 | 196.6 | 44,197 | 171.7 | 38,600 | 148.3 | 33,339 | 1765 | 69.5 | 6 |

Bucket Selection Guide*



*Contact your Hitachi dealer for optimum bucket and attachment selections. These recommendations are for general conditions and average use. Does not include optional equipment such as thumbs or couplers. Larger buckets may be possible when using light materials, for flat and level operations, less compacted materials, and volume loading applications such as mass-excavation applications in ideal conditions. Smaller buckets are recommended for adverse conditions such as off-level applications, rocks, and uneven surfaces. Bucket capacity indicated is SAE heaped.

DASH-5

ADDITIONAL EQUIPMENT

Key: ● Standard ▲ Optional or special key

350 Engine

- Auto-idle system
- Batteries (2 – 12 volt)
- Coolant recovery tank
- Dual-element dry-type air filter
- Electronic engine control
- Enclosed fan guard (conforms to SAE J1308)
- Engine coolant to -37 deg. C (-34 deg. F)
- Programmable auto shutdown
- Fuel filter with water separator
- Full-flow oil filter
- Turbocharger with charge air cooler
- High-efficiency, low-noise fan
- 500-hour engine-oil-change interval
- 70% (35 deg.) off-level capability
- Severe-duty fuel filter
- ▲ Chrome exhaust stack
- ▲ Engine coolant heater

Hydraulic System

- Reduced-drift valve for boom down, arm in
- Auxiliary hydraulic valve section
- Spring-applied, hydraulically released automatic swing brake
- Auxiliary hydraulic-flow adjustments through monitor
- Auto power lift
- 5,000-hour hydraulic-oil-change interval
- ▲ Auxiliary hydraulic lines
- ▲ Auxiliary pilot and electric controls
- ▲ Hydraulic filter restriction indicator kit
- ▲ Load-lowering control / Anti-drift device
- ▲ Single-pedal propel control
- ▲ Control pattern change valve

Undercarriage

- Planetary drive with axial piston motors
- Propel motor shields
- Spring-applied, hydraulically released automatic propel brake
- Track guides, front idler and 3 additional
- 2-speed propel with automatic shift
- Upper carrier rollers (2)
- Sealed and lubricated track chain
- Triple semi-grouser shoes, 800 mm (32 in.)
- ▲ Undercarriage frame opening guard

350 Upperstructure

- Right-hand, left-hand, and counterweight mirrors
- Vandal locks with ignition key: Cab door / Service doors / Toolbox
- Debris screen
- Remote-mounted engine oil and fuel filters

Front Attachments

- Centralized lubrication system
- Dirt seals on all bucket pins
- Less boom and arm
- Oil-impregnated bushings
- Reinforced resin thrust plates
- Tungsten carbide thermal coating on arm-to-bucket joint
- ▲ Arm, 2.66 m (8 ft. 9 in.)
- ▲ Arm, 3.2 m (10 ft. 6 in.)
- ▲ Arm, 4.0 m (13 ft. 1 in.)
- ▲ Attachment quick-couplers
- ▲ Boom cylinder with plumbing to mainframe less boom and arm
- ▲ Buckets: Heavy duty / Heavy-duty high capacity / Side cutters and teeth
- ▲ "D" channel guard
- ▲ Material clamps
- ▲ Super-long fronts

Operator's Station

- Adjustable independent-control positions (levers-to-seat, seat-to-pedals)
- AM/FM radio
- Auto climate control/air conditioner/heater/pressurizer
- Built-in Operator's Manual storage compartment and manual
- Cell-phone power outlet, 12 volt, 60 watt, 5 amp
- Coat hook
- Deluxe suspension cloth seat with 100-mm (4 in.) adjustable armrests
- Floor mat
- Front windshield wiper with intermittent speeds
- Gauges (illuminated): Engine coolant / Fuel
- Horn, electric
- Hour meter, electric
- Hydraulic shutoff lever, all controls
- Hydraulic warm-up control
- Interior light
- Large cup holder
- Machine Information Center (MIC)

350 Operator's Station (continued)

- Mode selectors (illuminated): Power modes (3) / Travel modes (2 with automatic shift) / Work mode (1)
- Multifunction, color LCD monitor with: Diagnostic capability / Multiple-language capabilities / Maintenance tracking / Clock / System monitoring with alarm features: Auto-idle indicator, engine air cleaner restriction indicator light, engine check, engine coolant temperature indicator light with audible alarm, engine oil pressure indicator light with audible alarm, low-alternator-charge indicator light, low-fuel indicator light, fault code alert indicator, fuel-rate display, wiper-mode indicator, work-lights-on indicator, and work-mode indicator
- Motion alarm with cancel switch (conforms to SAE J994)
- Power-boost switch on right console lever
- Auxiliary hydraulic control switches in right console lever
- SAE 2-lever control pattern
- Seat belt, 51 mm (2 in.), retractable
- Tinted glass
- Transparent tinted overhead hatch
- ▲ Hot/cold beverage compartment
- ▲ Air-suspension heated seat
- ▲ Hydraulic oil filter restriction indicator light
- ▲ Protection screens for cab front, rear, and side
- ▲ Seat belt, 76 mm (3 in.), non-retractable
- ▲ Window vandal-protection covers

Electrical

- 50-amp alternator
- Blade-type multi-fused circuits
- Positive-terminal battery covers
- ZLink™ wireless communication system (available in specific countries; see your dealer for details)
- ▲ Rearview camera
- ▲ Cab extension wiring harness

Lights

- Work lights: Halogen / One mounted on boom / One mounted on frame
- ▲ 2 lights mounted on cab / One mounted on right side of boom

See your Hitachi dealer for further information.

Net engine power is with standard equipment including air cleaner, exhaust system, alternator, and cooling fan, at test conditions specified per ISO 9249. No derating is required up to 2000-m (6,560 ft.) altitude. Specifications and design subject to change without notice. Wherever applicable, specifications are in accordance with SAE standards. Except where otherwise noted, these specifications are based on a unit with 1370-mm (54 in.) bucket, 800-mm (32 in.) triple semi-grouser shoes, 6928-kg (15,274 lb.) counterweight, full fuel tank, and 79-kg (175 lb.) operator.

HITACHI

hitachiconstruction.com