

---

Manual # 99904622

# 24/169SL Technical Specifications

Revision Date 20120503



**IOWA MOLD TOOLING CO., INC.**

PO Box 189

Garner, IA 50438

Tel: 641-923-3711 FAX: 641-923-2424

Website: <http://www.imt.com>

Copyright © 2011 Iowa Mold Tooling Co., Inc.  
All rights reserved

No part of this publication may be reproduced, stored in a retrieval system, or transmitted in any form or by any means, electronic, mechanical, photocopying, recording or otherwise without the prior written permission of Iowa Mold Tooling Co., Inc.

**Iowa Mold Tooling Co., Inc. is an Oshkosh Corporation company.**

*Printed on 3 May, 2012*

*Courtesy of Crane.Market*



# Contents

Revisions .....	ii
-----------------	----

---

## Technical Data and Charts 3

---

24/169SL Technical Specifications .....	4
22/153SL-24/169SL Pressure Settings (Hydrocontrol HC-D4).....	5
24/169SL Pressure Settings, Danfoss RC .....	6
24/169SL K2 Capacity Chart.....	7
24/169SL K3 Capacity Chart.....	8
24/169SL K4 Capacity Chart.....	9
24/169SL K5 Capacity Chart.....	10
24/169SL K6 Capacity Chart.....	11
24/169SL K7 Capacity Chart.....	12
24/169SL K8 Capacity Chart.....	13
24/169SL Dimensional Drawing .....	14
Stabilizer Dimensions, Fixed Legs, 18 tm up .....	15
Stabilizer Dimensions, Swing-up, 18 tm up .....	16
22/153SL - 24/169SL Swing Clearance.....	17

---

## Hydraulic Schematics 19

---

Hydraulic Diagram - 24/169SL Danfoss 6-Function Radio.....	20
Hydraulic Diagram - 24/169SL Danfoss 7-Function Radio.....	21
Hydraulic Diagram - 24/169SL Hydrocontrol 6-Function Manual.....	22
Hydraulic Diagram - 24/169SL Hydrocontrol 6-Function Radio .....	23

---

## Revisions

<b>DATE</b>	<b>LOCATION</b>	<b>DESCRIPTION</b>
20100118	Geometric configuration	Added stabilizer length and extension, stabilizer dimensions.
20111214	Specs, Stabilizer drawings.	ECN 11628 - Updated stabilizer wording.
20120502	Specifications	Updated crane weight to include mtg. kit, tank.

## CHAPTER 1

# Technical Data and Charts

## In This Chapter

24/169SL Technical Specifications .....	3
22/153SL-24/169SL Pressure Settings (Hydrocontrol HC-D4) .....	5
24/169SL Pressure Settings, Danfoss RC .....	5
24/169SL K2 Capacity Chart.....	7
24/169SL K3 Capacity Chart.....	8
24/169SL K4 Capacity Chart.....	9
24/169SL K5 Capacity Chart.....	10
24/169SL K6 Capacity Chart.....	11
24/169SL K7 Capacity Chart.....	12
24/169SL K8 Capacity Chart.....	13
24/169SL Dimensional Drawing .....	14
Stabilizer Dimensions, Fixed Legs, 18 tm up .....	15
Stabilizer Dimensions, Swing-up, 18 tm up.....	16
22/153SL - 24/169SL Swing Clearance .....	17

## 24/169SL Technical Specifications

24/169SL	2 - Hydraulic	3 - Hydraulic	4 - Hydraulic	5 - Hydraulic	6 - Hydraulic	7 - Hydraulic	8 - Hydraulic
Crane Rating*	164,910 ft lb (22.8 tm)	161,295 ft lb (22.3 tm)	156,955 ft lb (21.7 tm)	154,065 ft lb (21.3 tm)	150,445 ft lb (20.8 tm)	148,275 ft lb (20.5 tm)	145,385 ft lb (20.1 tm)
Maximum Horizontal Reach	27' 3" (8.3 m)	33' 10" (10.3 m)	41' 0" (12.5 m)	48' 7" (14.8 m)	56' 5" (17.2 m)	63' 8" (19.4 m)	71' 2" (21.7 m)
Maximum Vertical Reach	35' 1" (10.7 m)	42' 0" (12.8 m)	49' 3" (15.0 m)	56' 5" (17.2 m)	64' 4" (19.6 m)	71' 10" (21.9 m)	79' 1" (24.1 m)
Maximum Capacity	18,940 lb (8590 kg)	17,945 lb (8140 kg)	17,000 lb (7710 kg)	16,160 lb (7330 kg)	15,895 lb (7210 kg)	15,190 lb (6890 kg)	14,485 lb (6570 kg)
Max Cap @ Max Reach	6085 lb (2760 kg)	4,565 lb (2070 kg)	3,460 lb (1570 kg)	2,600 lb (1180 kg)	1,920 lb (870 kg)	1,475 lb (670 kg)	1,125 lb (510 kg)
Crane Weight **	4420 lb (2005 kg)	4795 lb (2175 kg)	5235 lb (2375 kg)	5565 lb (2525 kg)	5875 lb (2665 kg)	6105 lb (2770 kg)	6295 lb (2855 kg)
Hook Approach							
Vertical	7' 3" (2.21 m)	7' 6" (2.29 m)	7' 10" (2.38 m)	8' 1" (2.47 m)	8' 5" (2.56 m)	8' 8" (2.65 m)	9' 0" (2.74 m)
Horizontal	2' 3" (0.69 m)	2' 5" (0.74 m)	2' 7" (0.79 m)	2' 9" (0.84 m)	2' 11" (0.89 m)	3' 1" (0.94 m)	3' 3" (1.0 m)
Center of Gravity - Stored							
Vertical	2' 6" (760 mm)	2' 7" (785 mm)	2' 8" (810 mm)	2' 9" (830 mm)	2' 9" (845 mm)	2' 10" (865 mm)	2' 11" (880 mm)
Horizontal (C/L RotTo Bridge)	13.6" (345 mm)	13.4" (340 mm)	12.8" (325 mm)	12.2" (310 mm)	11.8" (300 mm)	11.2" (285 mm)	11.0" (280 mm)

\* Crane rating (ft-lb) is the rated load (lb) multiplied by the respective distance (ft) from centerline of rotation with all extensions retracted and the inner and outer booms in a horizontal position, per ANSI B30.22. \*\* Crane weight is for standard crane with tank & 4-bolt mounting kit. Does not include stabilizers, oil.

24/169SL Specifications	
Stabilizer Pad Diameter	7" (175 mm)
Crane Storage Height	7' 6" (2295 mm)
Mounting Space ***	2' 11" (880 mm)
Rotational Torque	19,990 ft lb (2.8 tm)
Rotation	400°
Optimum Pump Performance	15.9 gpm (60 L/min)
System Pressure	4,785 psi (330 Bar)
Oil Reservoir Capacity	23.8 gal (90 L)
Stabilizer Extension Span	
Standard (manual out / hydraulic down)	18' 3" (5575 mm)
Weight	640 lb (290 kg)
Option (hydraulic out / hydraulic down)	21' 2" (6455 mm)
Weight	805 lb (365 kg)
*** Maximum swing clearance radius required is 25" (640 mm) at 8' (2430 mm) at 8' (2445 mm) from top of chassis frame.	
Minimum Chassis Specifications	
Front Axle Rating (GAWR)	14,000 lb (6350 kg)
Rear Axle Rating (GAWR)	40,000 lb (18,145 kg)
Resistance To Bending Moment	2,700,000 in-lb (311,075 kg-m)

## 22/153SL-24/169SL Pressure Settings (Hydrocontrol HC-D4)

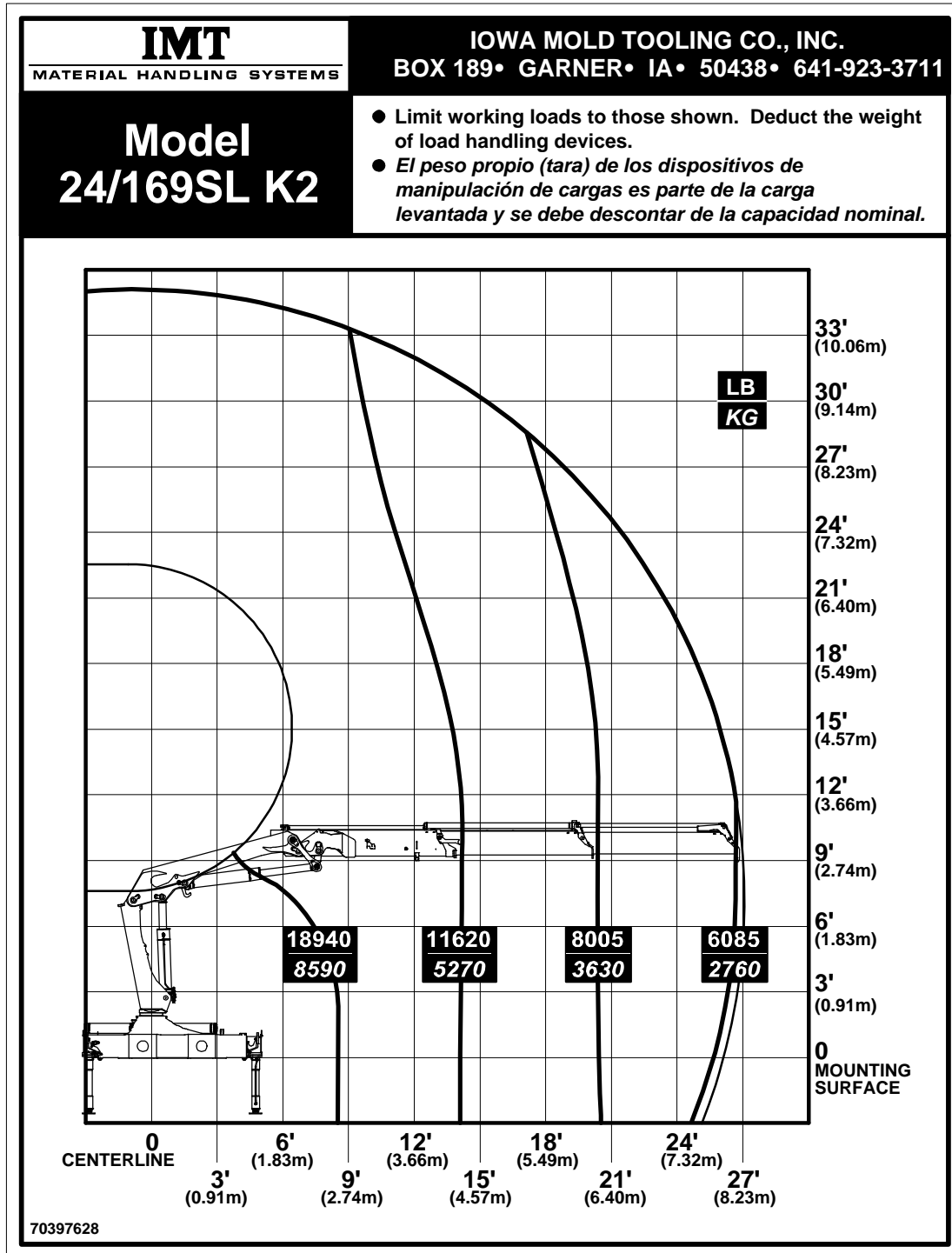
<b>WORKING PRESSURE ON MAIN-RELIEF VALVE &amp; PORT RELIEF VALVES</b>				
<b>FUNCTION</b>	<b>DIRECTION</b>	<b>PORT</b>	<b>22/153SL</b>	<b>24/169SL</b>
Main-relief valve			4350 psi (300 bar)	4785 psi (330 bar)
Slewing system	Right	A	P	P
	Left	B	P	P
Boom cylinder	Down	A	1450 psi (100 bar)	1450 psi (100 bar)
	Up	B	4715 psi (325 bar)	4930 psi (340 bar)
Jib cylinder	Up	A	4715 psi (325 bar)	4930 psi (340 bar)
	Down	B	2900 psi (200 bar)	2900 psi (200 bar)
Extension cylinders	Extend	A	P	P
	Retract	B	P	P
Rotator	Right	A	2900 psi (200 bar)	2900 psi (200 bar)
	Left	B	2900 psi (200 bar)	2900 psi (200 bar)
Grab	Open	A	2900 psi (200 bar)	2900 psi (200 bar)
	Close	B	2900 psi (200 bar)	2900 psi (200 bar)
Separate stabilizer valve		All	2175 psi (150 bar)	2175 psi (150 bar)
<b>WORKING PRESSURE ON LOAD-HOLDING VALVES</b>				
Function	Direction	Port	Opening Pressure	
Jib cylinder			4785 psi (330 bar)	5075 psi (350 bar)
Slewing system			3045 psi (210 bar)	3045 psi (210 bar)
Extension cylinders	Extend	A	3045 psi (210 bar)	3045 psi (210 bar)
	Retract	B	6235 psi (430 bar)	6235 psi (430 bar)
<b>PRESSURE SETTING FOR LOAD MOMENT LIMITATION (LMB)</b>				
Load moment limitation (LMB)			4205 psi (290 bar)	4640 psi (320 bar)
HDL			-	4205 psi (290 bar)
<b>MAXIMUM PUMP PERFORMANCE</b>				
Pump performance			15.9 gpm (60 l/min)	15.9 gpm (60 l/min)

## 24/169SL Pressure Settings, Danfoss RC

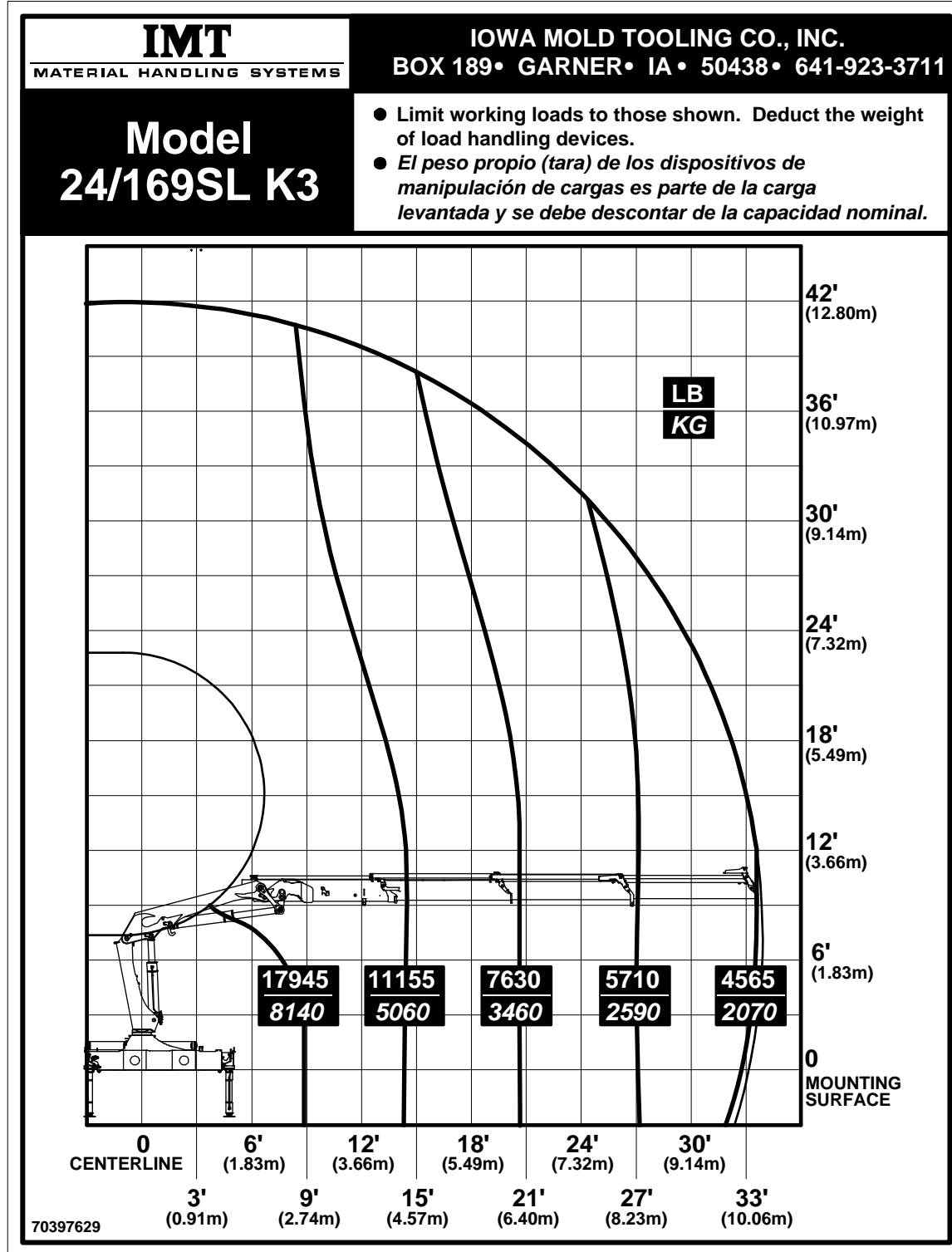
<b>WORKING PRESSURE ON MAIN-RELIEF VALVE &amp; PORT RELIEF VALVES</b>				
<b>FUNCTION</b>	<b>DIRECTION</b>	<b>PORT</b>	<b>PORT-RELIEF VALVES</b>	<b>LS-PRESSURE ADJUSTMENT</b>
Main-relief valve			4785 psi (330 bar)	4785 psi (330 bar)
Slewing system	Right	A	P	2975 psi (205 bar)
	Left	B	P	2975 psi (205 bar)
Boom cylinder	Down	A	1815 psi (125 bar)	1450 psi (100 bar)
	Up	B	5075 psi (350 bar)	5075 psi (350 bar)
Jib cylinder	Up	A	5075 psi (350 bar)	5075 psi (350 bar)
	Down	B	2755 psi (190 bar)	2320 psi (160 bar)
Extension cylinders	Extend	A	P	-
	Retract	B	P	-
Rotator	Right	A	P	725-4350 psi (50-300 bar)
	Left	B	P	725-4350 psi (50-300 bar)
Grab	Open	A	P	725-4350 psi (50-300 bar)
	Close	B	P	725-4350 psi (50-300 bar)
Winch 1.5T	Lift	A	P	2320 psi (160 bar)
	Lower	B	P	2320 psi (160 bar)
Winch 2.5T	Lift	A	P	2685 psi (185 bar)
	Lower	B	P	2685 psi (185 bar)
Separate stabilizer valve		All	2175 psi (150 bar)	2175 psi (150 bar)
<b>WORKING PRESSURE ON LOAD-HOLDING VALVES</b>				
Function	Direction	Port	Opening Pressure	
Slewing system	Right		3045 psi (210 bar)	
	Left		3045 psi (210 bar)	
Boom cylinder	Up		5075 psi (350 bar)	
	Down		-	
Jib cylinder	Up		5075 psi (350 bar)	
	Down		3045 psi (210 bar)	
Extension cylinders	Retract		6235 psi (430 bar)	
	Extend		3045 psi (210 bar)	
<b>PRESSURE SETTING FOR LOAD MOMENT LIMITATION (LMB)</b>				
Load moment limitation (LMB)			4570 psi (315 bar)	
HDL			4135 psi (285 bar)	
<b>MAXIMUM PUMP PERFORMANCE</b>				
Pump performance (1 x fixed)			18.5 gpm (70 l/min)	



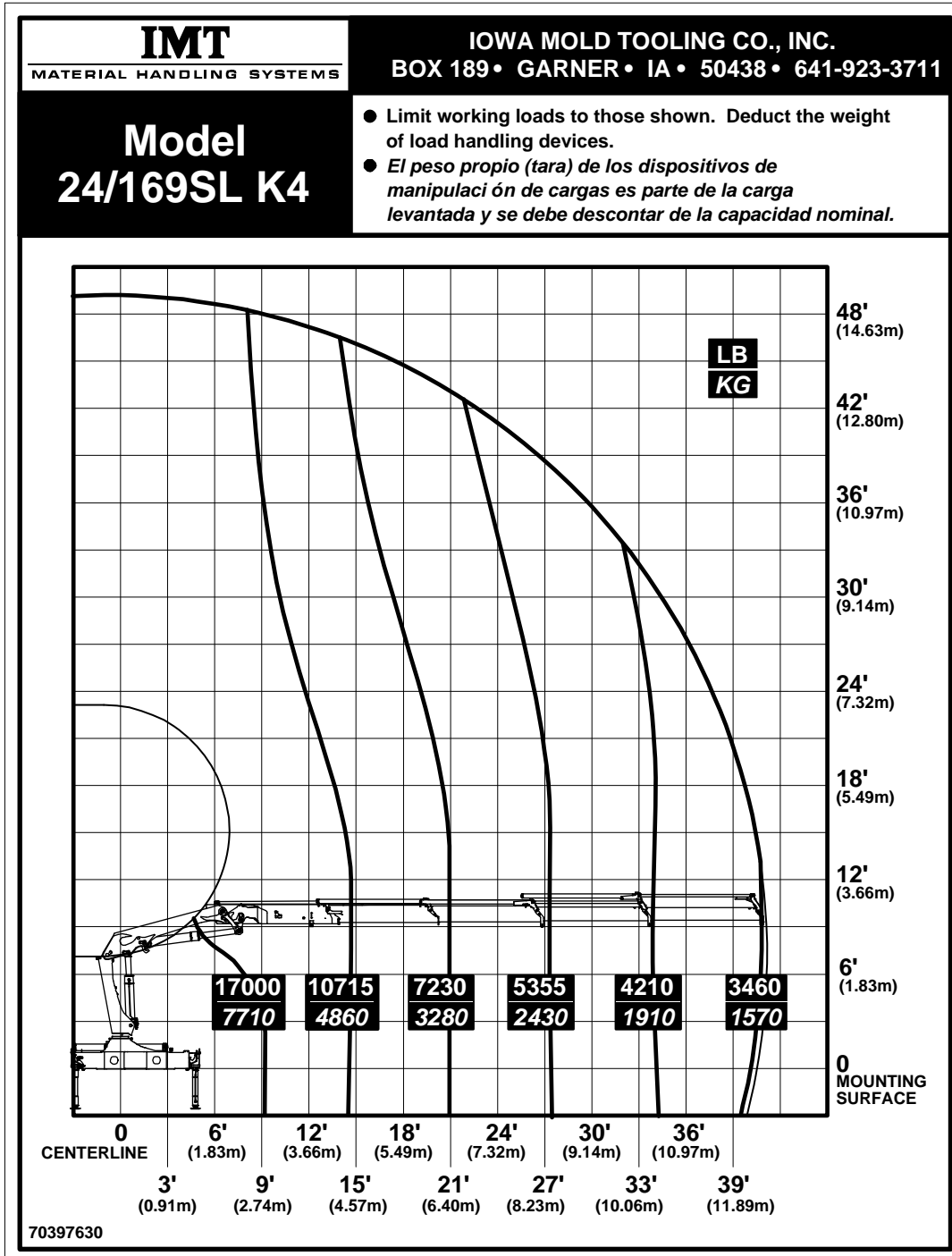
# 24/169SL K2 Capacity Chart



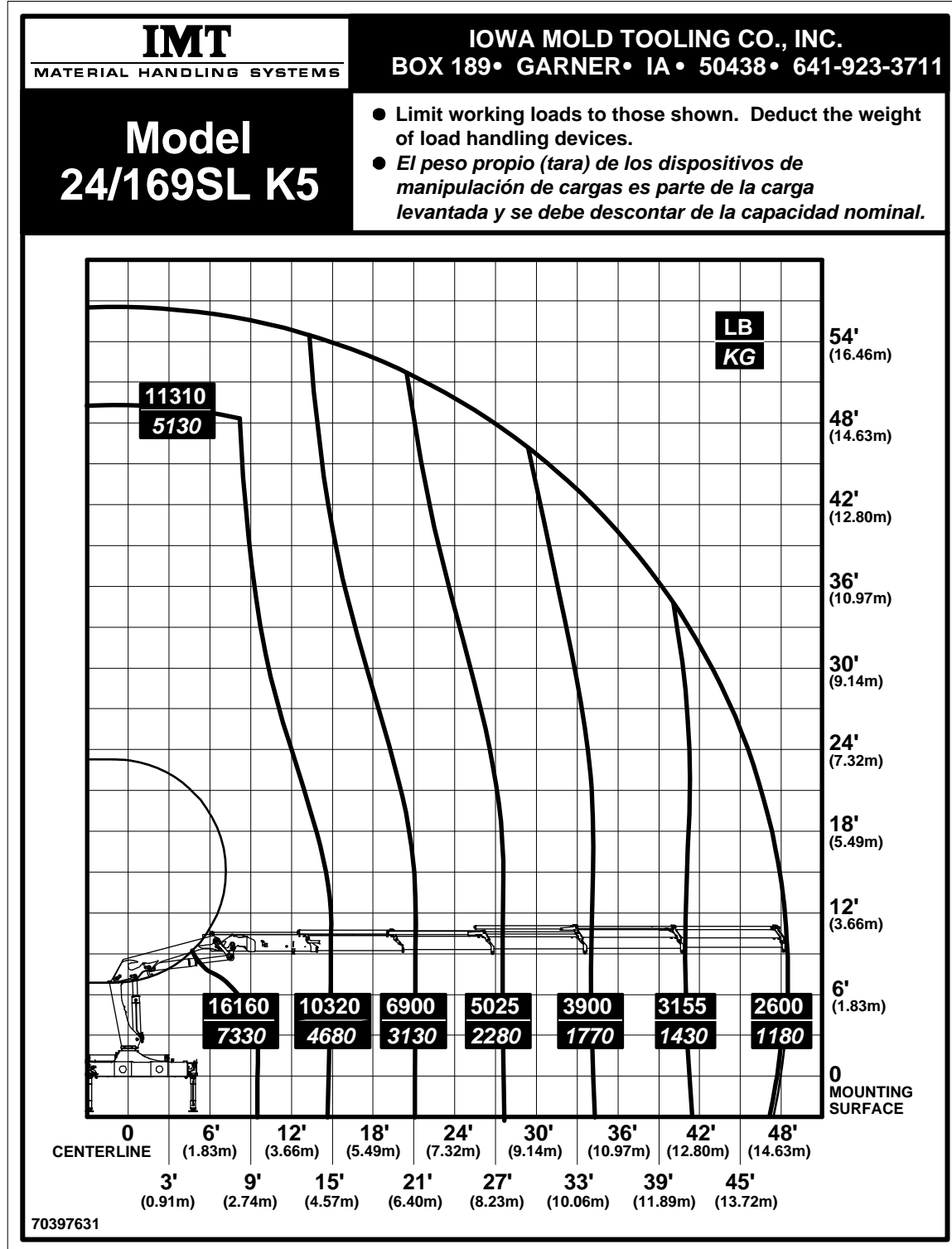
# 24/169SL K3 Capacity Chart



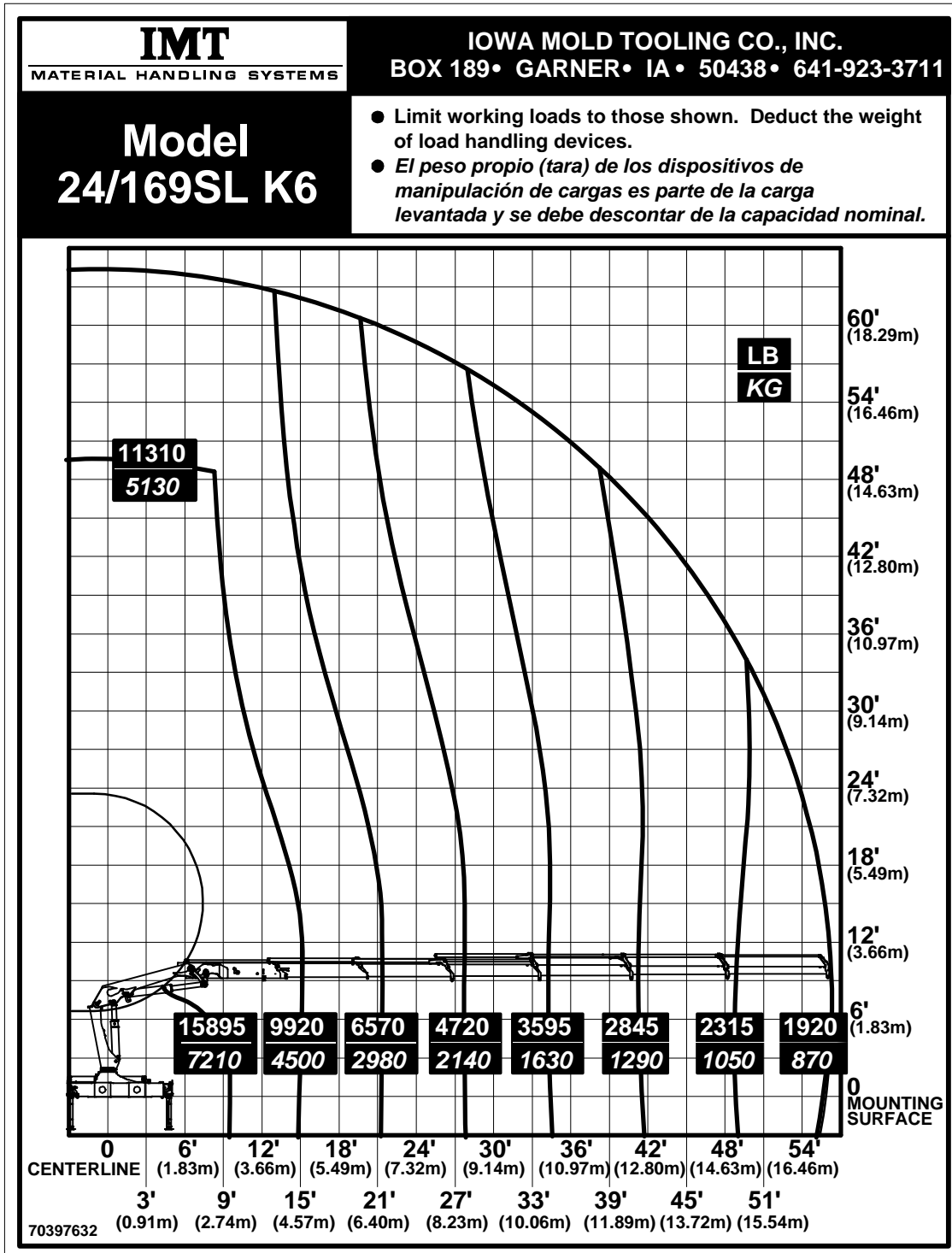
# 24/169SL K4 Capacity Chart



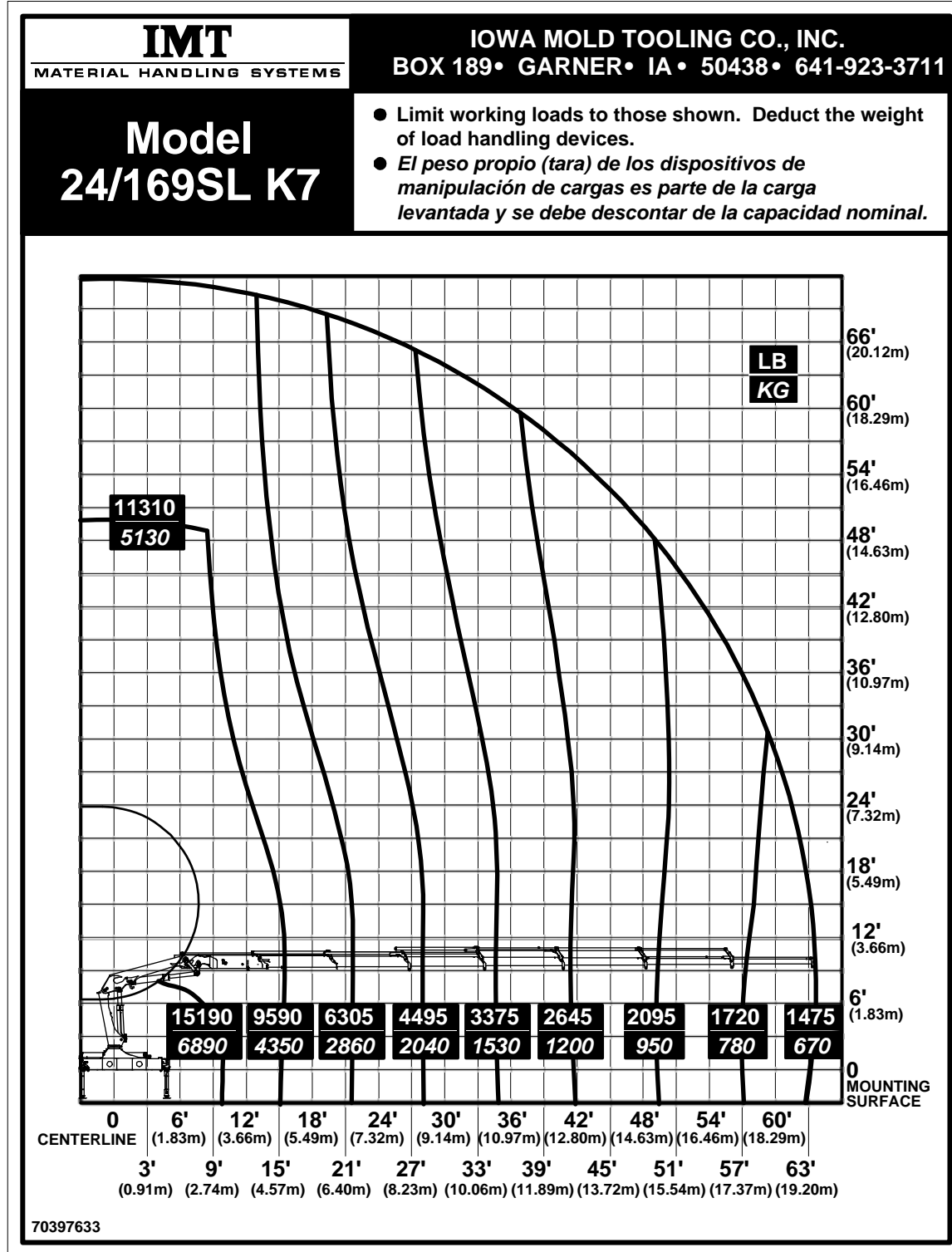
# 24/169SL K5 Capacity Chart



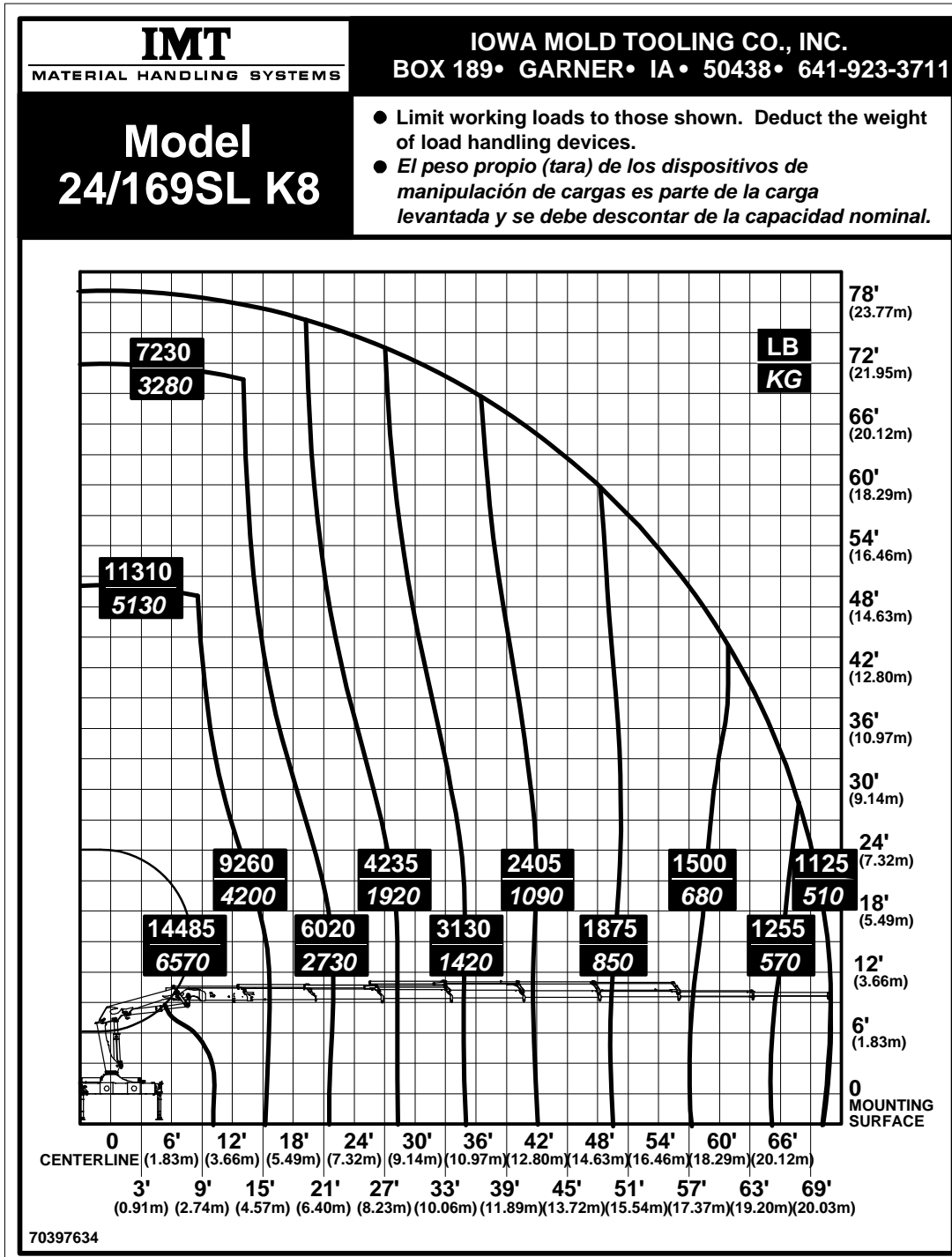
# 24/169SL K6 Capacity Chart



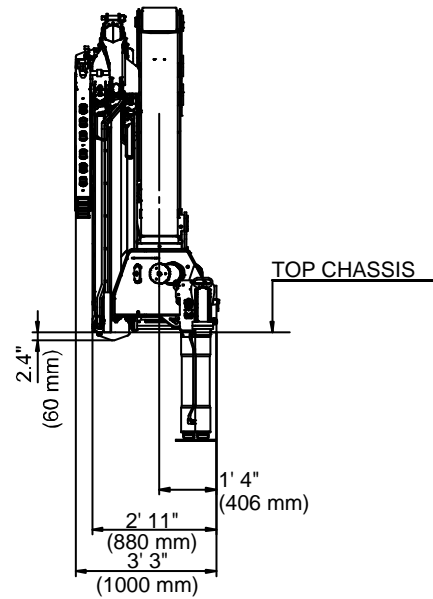
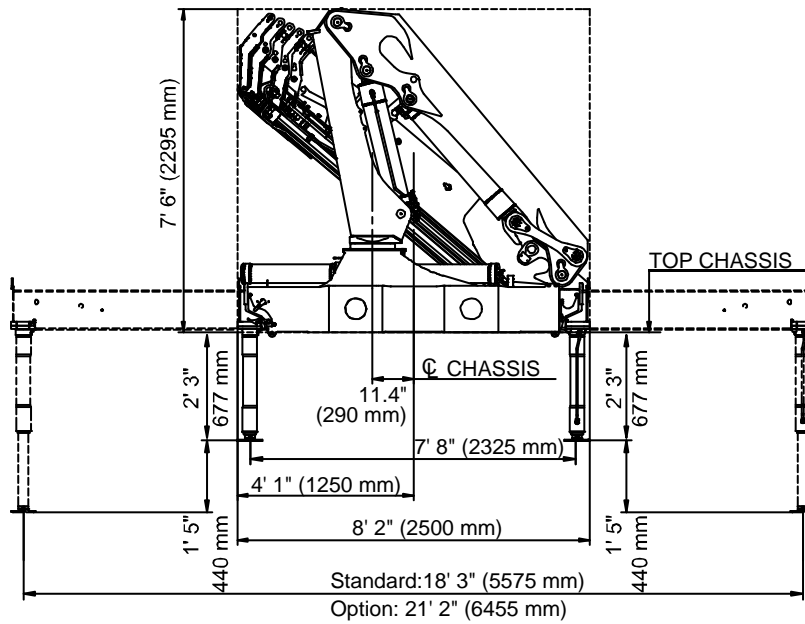
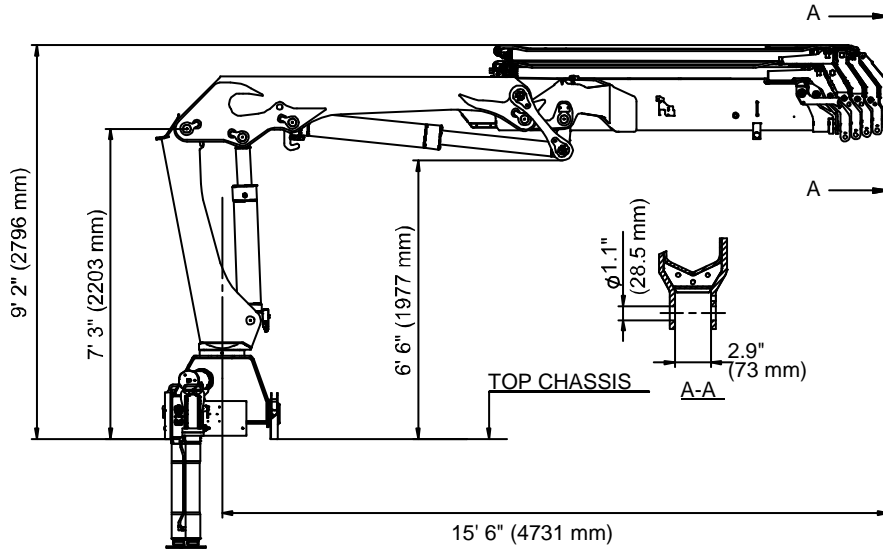
# 24/169SL K7 Capacity Chart



# 24/169SL K8 Capacity Chart

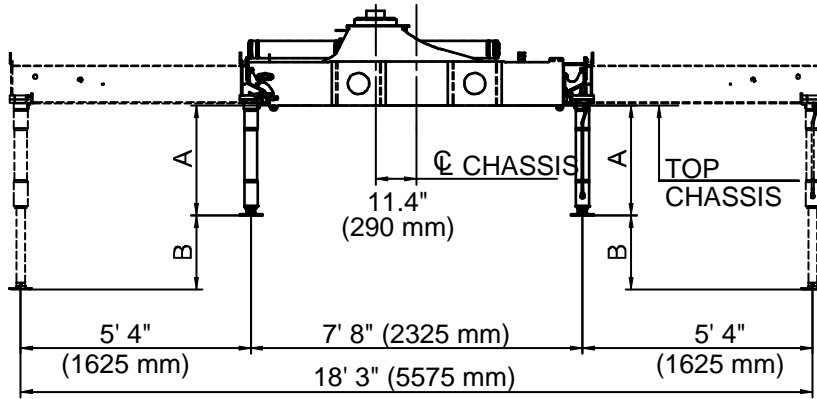


# 24/169SL Dimensional Drawing

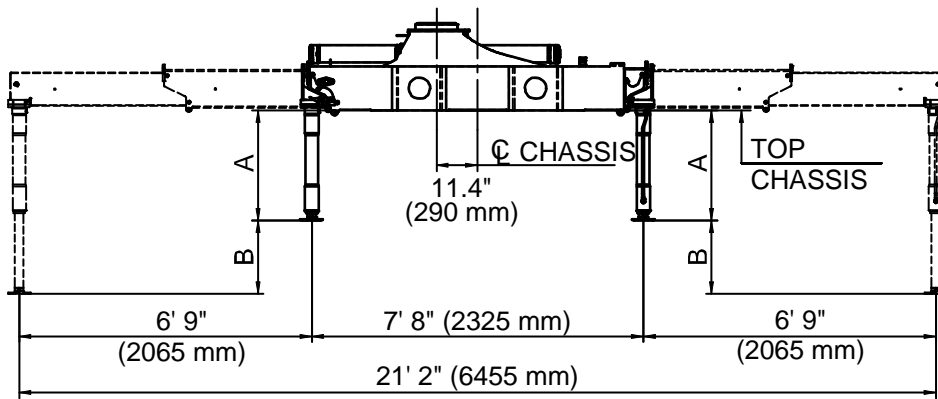







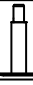
# Stabilizer Dimensions, Fixed Legs, 18 tm up



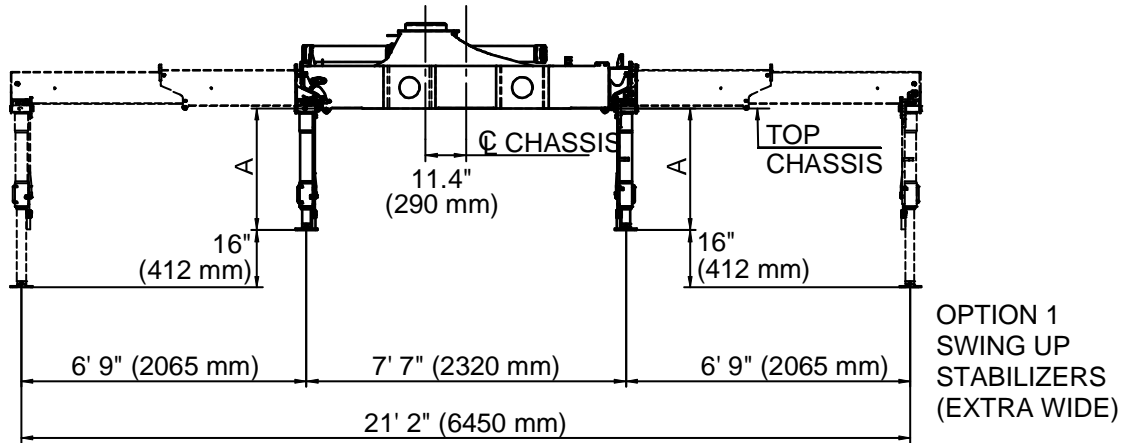
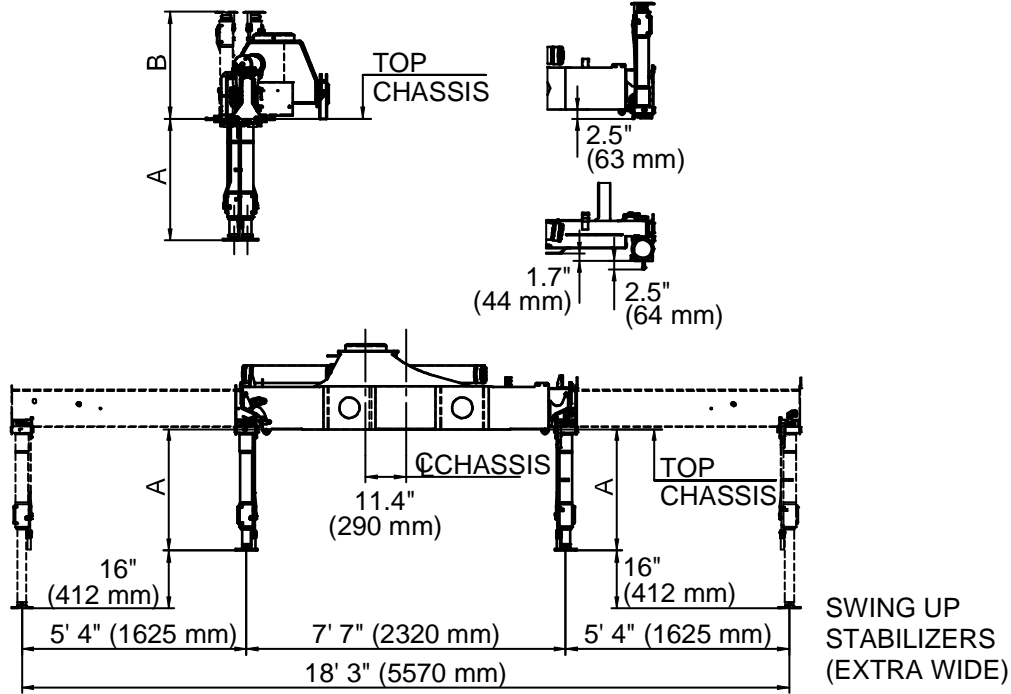
STANDARD  
(Hydraulic Out /  
Hydraulic Down)



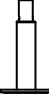


OPTION 1  
(Extra Wide  
Hydraulic Out /  
Hydraulic Down)

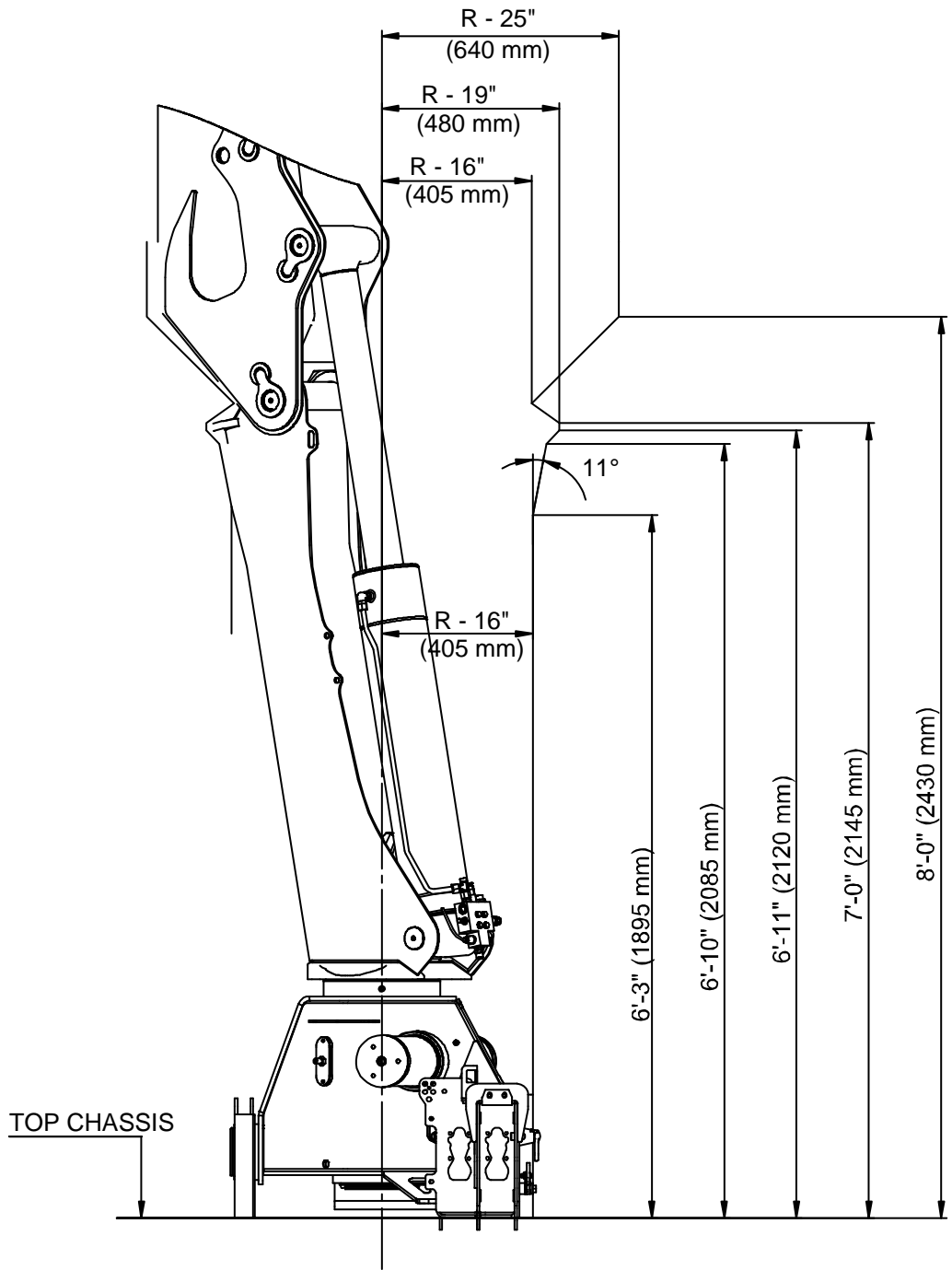
				
A	2' 3" (677 mm)	2' 6" (777 mm)	2' 11" (877 mm)	3' 2" (977 mm)
B	1' 5" (440 mm)	1' 8" (515 mm)	1' 8" (515 mm)	1' 8" (515 mm)

# Stabilizer Dimensions, Swing-up, 18 tm up



			
A	35" (879 mm)	39" (979 mm)	42.5" (1079 mm)
B	30.5" (777 mm)	34.4" (877 mm)	38.4" (977 mm)

# 22/153SL - 24/169SL Swing Clearance





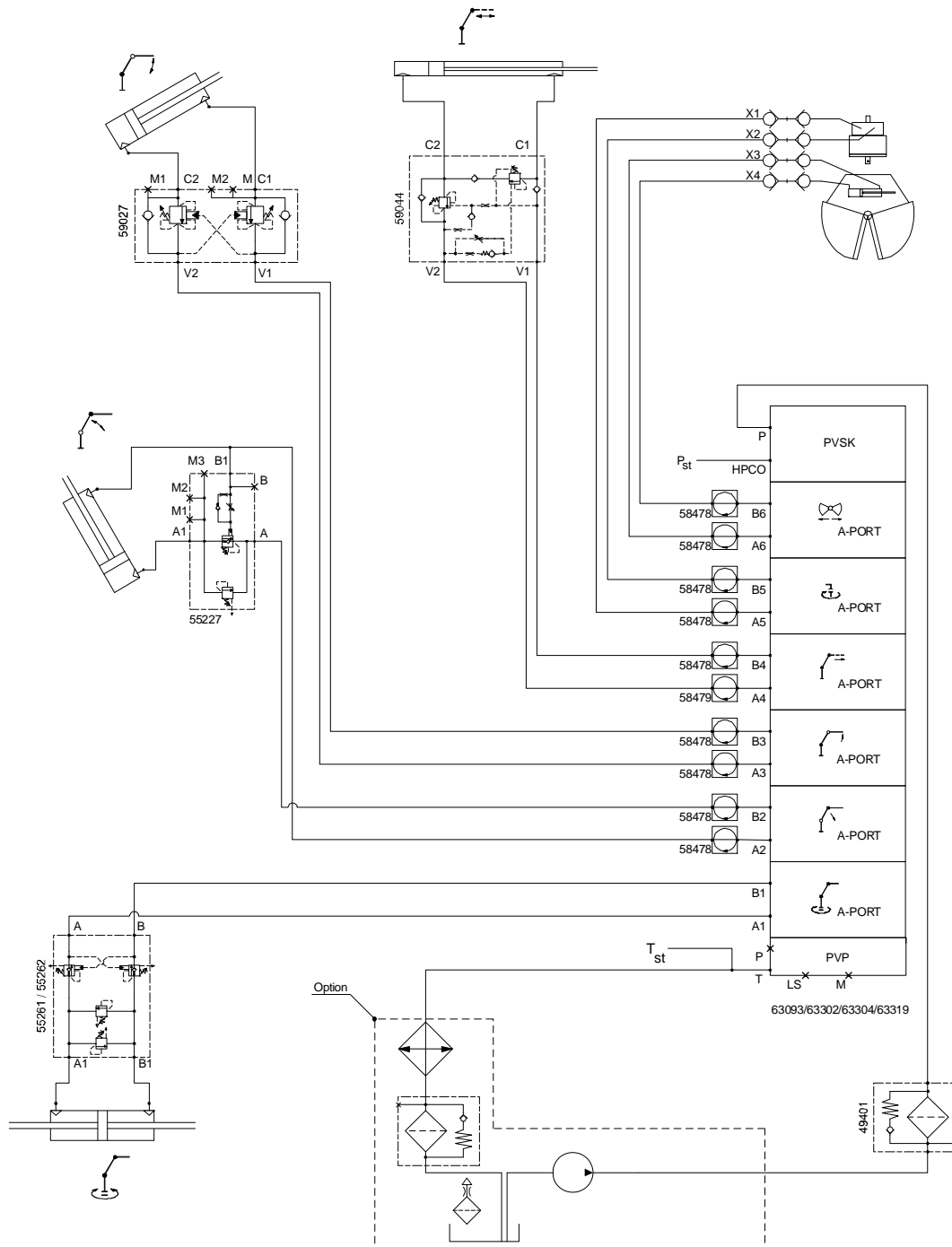
## CHAPTER 2

# Hydraulic Schematics

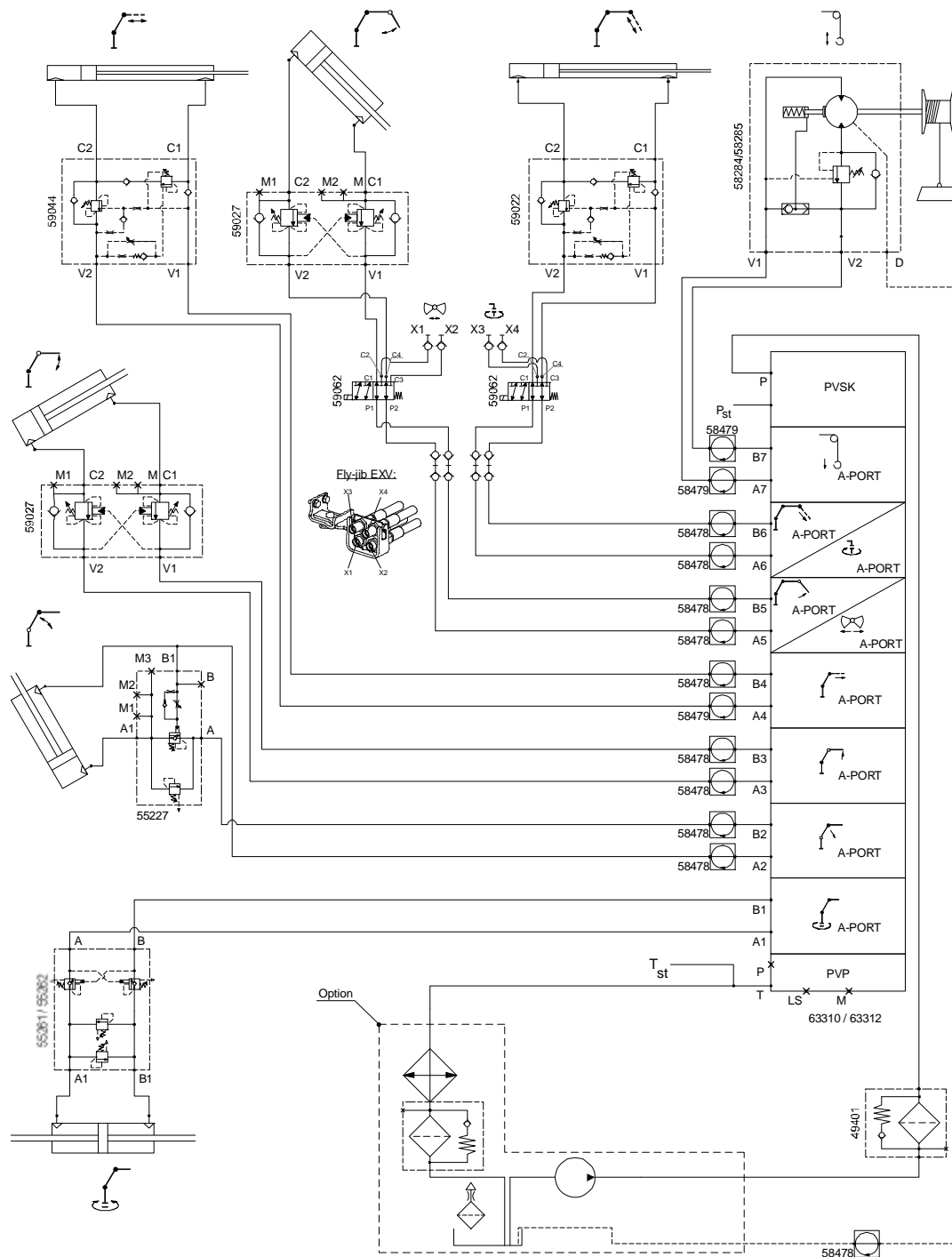
## In This Chapter

Hydraulic Diagram - 24/169SL Danfoss 6-Function Radio.....	20
Hydraulic Diagram - 24/169SL Danfoss 7-Function Radio.....	21
Hydraulic Diagram - 24/169SL Hydrocontrol 6-Function Manual .....	22
Hydraulic Diagram - 24/169SL Hydrocontrol 6-Function Radio .....	23

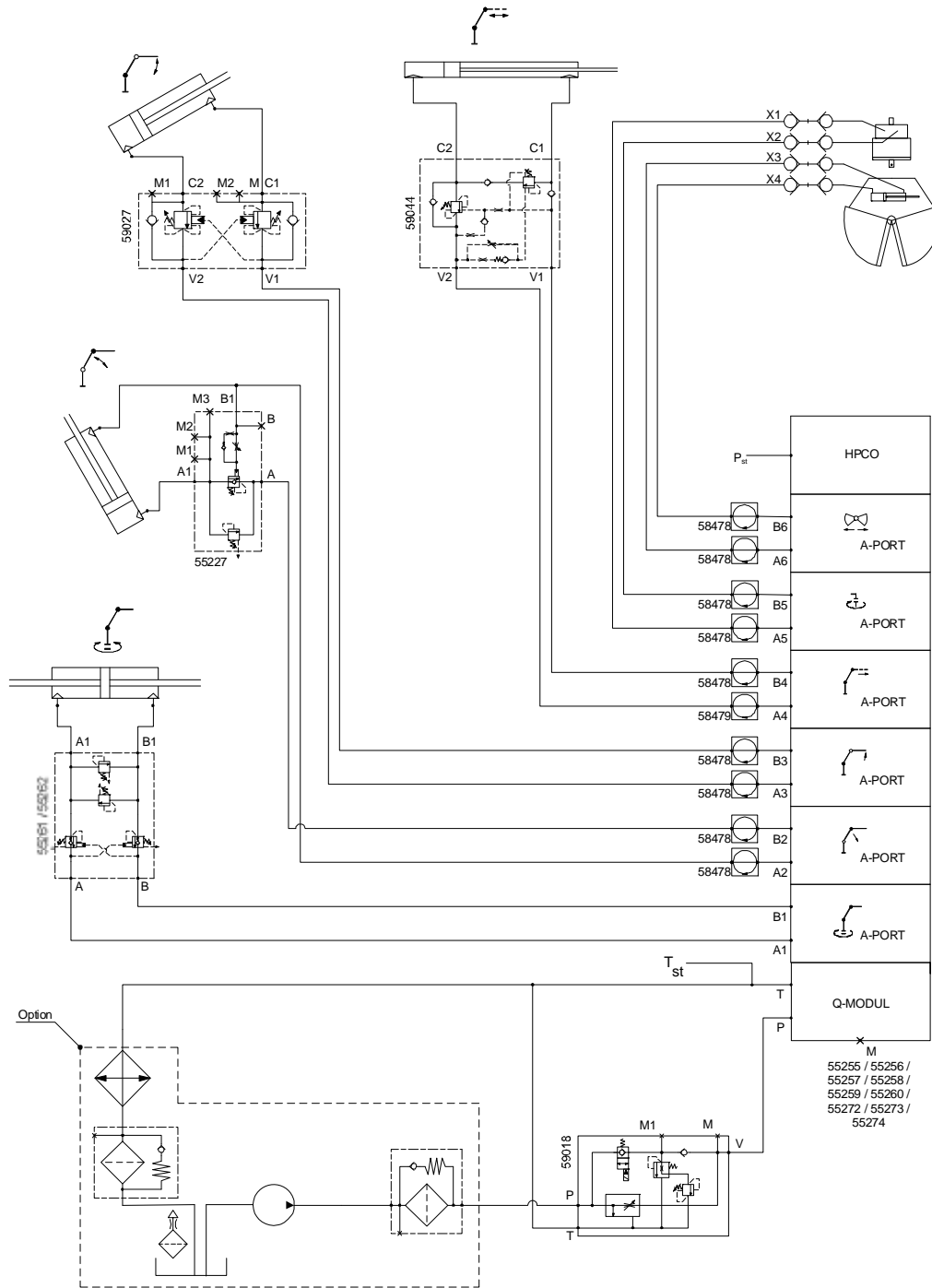
# Hydraulic Diagram - 24/169SL Danfoss 6-Function Radio



# Hydraulic Diagram - 24/169SL Danfoss 7-Function Radio



# Hydraulic Diagram - 24/169SL Hydrocontrol 6-Function Manual





# Hydraulic Diagram - 24/169SL Hydrocontrol 6-Function Radio

