



Spare Parts Manual  
**32/222 Parts**

IMT MANUAL # 99905814

IOWA MOLD TOOLING CO., INC.  
PO Box 189  
Garner, IA 50438  
Tel: 641-923-3711 FAX: 641-923-2424  
Website: <http://www.imt.com>

Copyright © 2014 Iowa Mold Tooling Co., Inc. All rights reserved.

No part of this publication may be reproduced, stored in a retrieval system, or transmitted in any form or by any means, electronic, mechanical, photocopying, recording or otherwise without the prior written permission of Iowa Mold Tooling Co., Inc.

Iowa Mold Tooling Co., Inc. is an Oshkosh Corporation company.

*Courtesy of Crane.Market*



## 32/222

<b>Description</b>	<b>Page no.</b>	<b>From loader</b>	<b>To loader</b>
<b><u>Basic loader</u></b>			
Base and column, complete incl. link arm system	540 01 010	1130001	
Main boom, cpl. for link arm system, boom	540 01 400	1130001	
Boom cylinder with LHV	540 01 510	1130001	
Jib cylinder with LHV	540 01 610	1130001	
<b><u>Stabilizers</u></b>			
Stabilizer beam type S 1625	540 02 010	1130001	
Stabilizer beam type D 2065	540 02 040	1130001	
Stabilizer safety lock	540 02 140	1130001	
Safety lock (CE)	540 02 160	1130001	
Stabilizer cylinder, C90-520	540 02 200	1130001	
Beam cylinder C32 - 1625	540 02 300	1130001	
Beam cylinder C32 - 2065	540 02 310	1130001	
<b><u>Boom System</u></b>			
Jib and K1 extension, complete	540 03 100	1130001	
K2 extension, complete	540 03 110	1130001	
K3 extension, complete	540 03 120	1130001	
K4 extension, complete	540 03 130	1130001	
K5 extension, complete	540 03 140	1130001	
K6 extension, complete	540 03 150	1130001	
K7 extension, complete	540 03 160	1130001	
K8 extension, complete	540 03 170	1130001	
Separate hook suspension, K2	540 03 200	1130001	
Separate hook suspension, K3	540 03 210	1130001	
Separate hook suspension, K4	540 03 220	1130001	
Separate hook suspension, K5	540 03 230	1130001	
Separate hook suspension, K6	540 03 240	1130001	
Separate hook suspension, K7	540 03 250	1130001	

## 32/222

<b>Description</b>	<b>Page no.</b>	<b>From loader</b>	<b>To loader</b>
Separate hook suspension, K8	540 03 260	1130001	
Hook suspension incl. hook	540 03 290	1130001	
Extension cylinder I (C80/63 x 1778h)	540 03 300	1130001	
Extension cylinder II (C80/63 x 1902h)	540 03 310	1130001	
Extension cylinder III (C80/60x2013h)	540 03 320	1130001	
Extension cylinder IV (C80/60 x 2044h)	540 03 330	1130001	
Extension cylinder V (C70/50x2097h)	540 03 340	1130001	
Extension cylinder VI (C70/50x2158h)	540 03 350	1130001	
Extension cylinder VII (C70/45 x 2209h)	540 03 360	1130001	
Extension cylinder VIII (C70/45S x 2234h)	540 03 370	1130001	
Manual extension, F7	540 03 430	1130001	
Manual extension, F8	540 03 440	1130001	
Manual extension, F9	540 03 450	1130001	
Manual extension, F10 cpl.	540 03 460	1130001	
<b><u>Hydraulic systems, valve brackets and dual controls</u></b>			
Stabilizer valve block, 5 available functions	540 05 200	1130001	
Stabilizer valve block, 6 available functions	540 05 210	1130001	
Stabilizer valve block, 7 available functions	540 05 220	1130001	
Stabilizer valve block, 8 available functions	540 05 230	1130001	
<b><u>Hydraulic systems, loader functions</u></b>			
Hose kit, winch and extra valves	540 05 660	1130001	
Hose kit, loader functions	540 05 670	1130001	
<b><u>Hydraulic systems, stabilizer beams</u></b>			
Hydraulic system, stabilizers	540 05 700	1130001	
<b><u>Hydraulic systems, pump and tank</u></b>			
Tank, cpl.	540 06 020	1130001	
Tank incl. fittings	540 06 030	1130001	
Hydraulic system, pump and return hoses, 1 circuit	540 06 060	1130001	



## 32/222

<b>Description</b>	<b>Page no.</b>	<b>From loader</b>	<b>To loader</b>
	540 06 070	1130001	
<b><u>Hydraulic systems, valve blocks</u></b>			
Valve block, 4 sects. fixed/variable	540 06 300	1130001	
Valve block, 5 sects. fixed/variable	540 06 310	1130001	
Valve block, 6 sects. EXV, fixed/variable	540 06 340	1130001	
Valve block, 7 sects. EXV, fixed/variable	540 06 350	1130001	
Valve block (stabilizer control valve)	540 06 400	1130001	
<b><u>Hydraulic systems, miscellaneous</u></b>			
Extra RC-function on the base	540 06 540	1130001	
<b><u>Labels and mounting kits</u></b>			
Mounting kit	540 07 050	1130001	
Mounting kit	540 07 060	1130001	
	540 07 080	1130001	
	540 07 090	1130001	
	540 07 100	1130001	
<b><u>Accessories, extra valves</u></b>			
2 extra valves, hose reel K7	540 09 490	1130001	
2 extra valves, hose reel K8	540 09 500	1130001	
Multi- and quick-release couplings for EXV K7 and K8	540 09 510	1130001	
Internal hose routing, cpl. 2 EXV	540 09 530	1130001	
	540 09 540	1130001	
Hose guides, K2-K6, cpl.	540 09 880	1130001	
Quick-release couplings, 2 EXV, guides K2-K6	540 09 900	1130001	
	540 09 905	1130001	
Multi-couplings, 2 EXV, guides K2-K6	540 09 910	1130001	
Kit, 3 EXV, hose guides K2-K6	540 09 920	1130001	
<b><u>Accessories, top seat, TS</u></b>			
	540 11 010	1130001	

## 32/222

<b>Description</b>	<b>Page no.</b>	<b>From loader</b>	<b>To loader</b>
<b><u>Accessories, winch</u></b>			
Wire roller guide	540 13 040	1130001	
Wire roller guide (with FJ)	540 13 050	1130001	
Wire pulley, double snatch block	540 13 060	1130001	
Wire pulley 3.2 t	540 13 070	1130001	
Winch 2.5 T + mounting fittings and weighing cell	540 13 100	1130000	
<b><u>Accessories, personnel basket</u></b>			
	540 15 040	1130001	
<b><u>Accessories, miscellaneous</u></b>			
Swivel hook, 2.5 t and 3.2 t	540 16 010	1130001	
Shield at the end of the jib	540 16 020	1130001	
	540 16 090	1130001	
	540 16 100	1130001	
<b><u>EI-dele, generelt GB</u></b>			
RCL 5300	540 20 320	1130001	
Plugs in RCL	540 20 330	1130001	
	540 20 340	1130001	
BEHEW	540 20 350	1130001	
	540 20 380	1130001	
CYBEL	540 20 390	1130001	
	540 20 400	1130001	
	540 20 410	1130001	
Temperature monitoring for oil cooler	540 20 420	1130001	
Spotlight, boom	540 20 430	1130001	
Spotlight, jib	540 20 440	1130001	
Spotlight, radio remote controlled.	540 20 450	1130001	
<b><u>EI-dele, RC GB</u></b>			
	540 22 290	1130001	

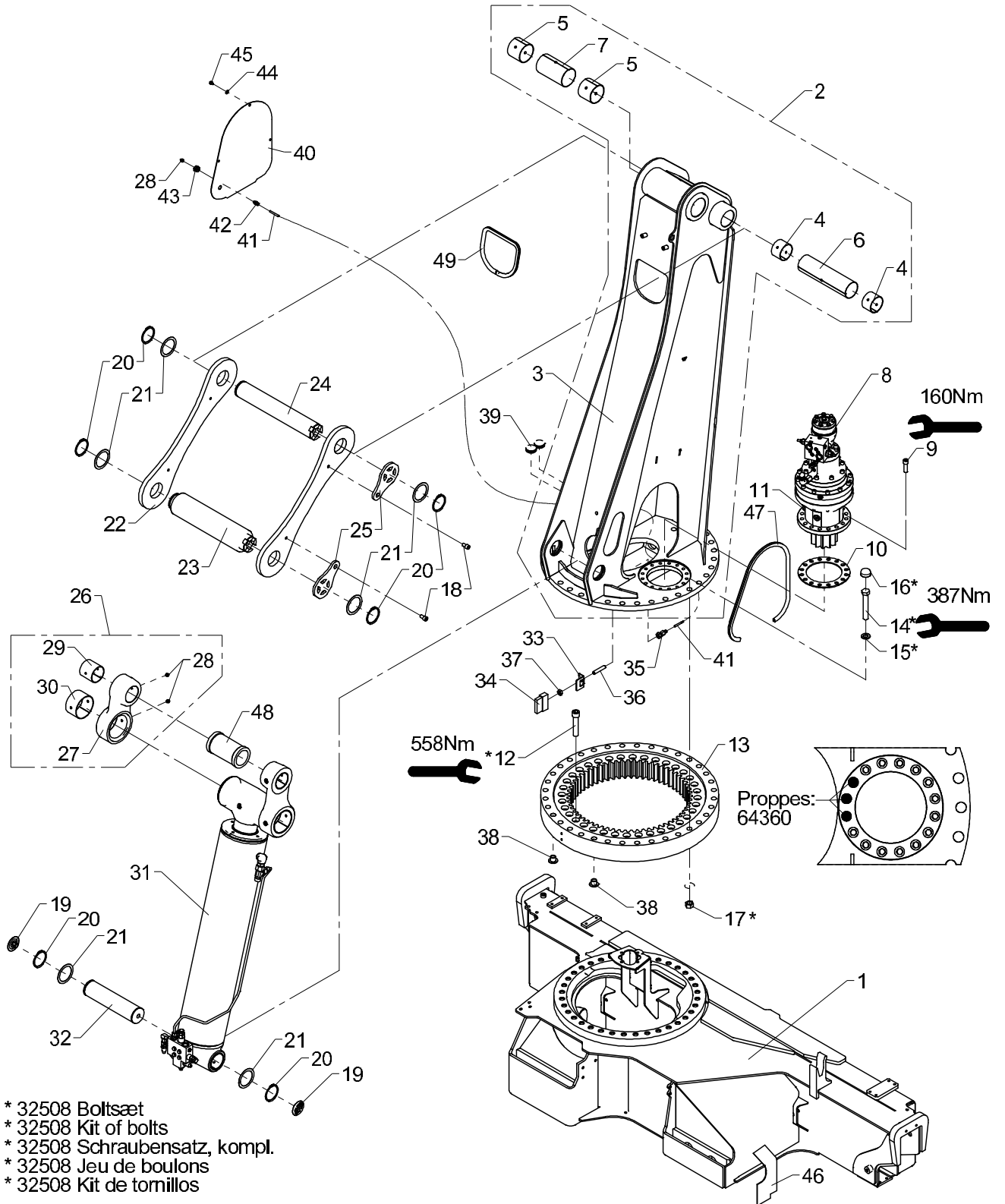
Description	Page no.	From loader	To loader
	540 22 300	1130001	
	540 22 310	1130001	
	540 22 320	1130001	
	540 22 330	1130001	
2-stage LMB	540 22 340	1130001	
EVS	540 22 350	1130001	
	540 22 360	1130001	
	540 22 390	1130001	
	540 22 400	1130001	
Winch	540 22 410	1130001	
Fly-Jib supply Column	540 22 420	1130001	
FJ supply, hose guides	540 22 430	1130001	
3rd extra valve	540 22 450	1130001	
	540 22 460	1130001	
Light tower	540 22 480 A		



540 01 010

# 32/222 PARTS

Internal ref. 63 94 000



**540 01 010**

From loader 1130001

To loader

**Base and column, complete incl. link arm system**

Created 20-03-2013

Modified

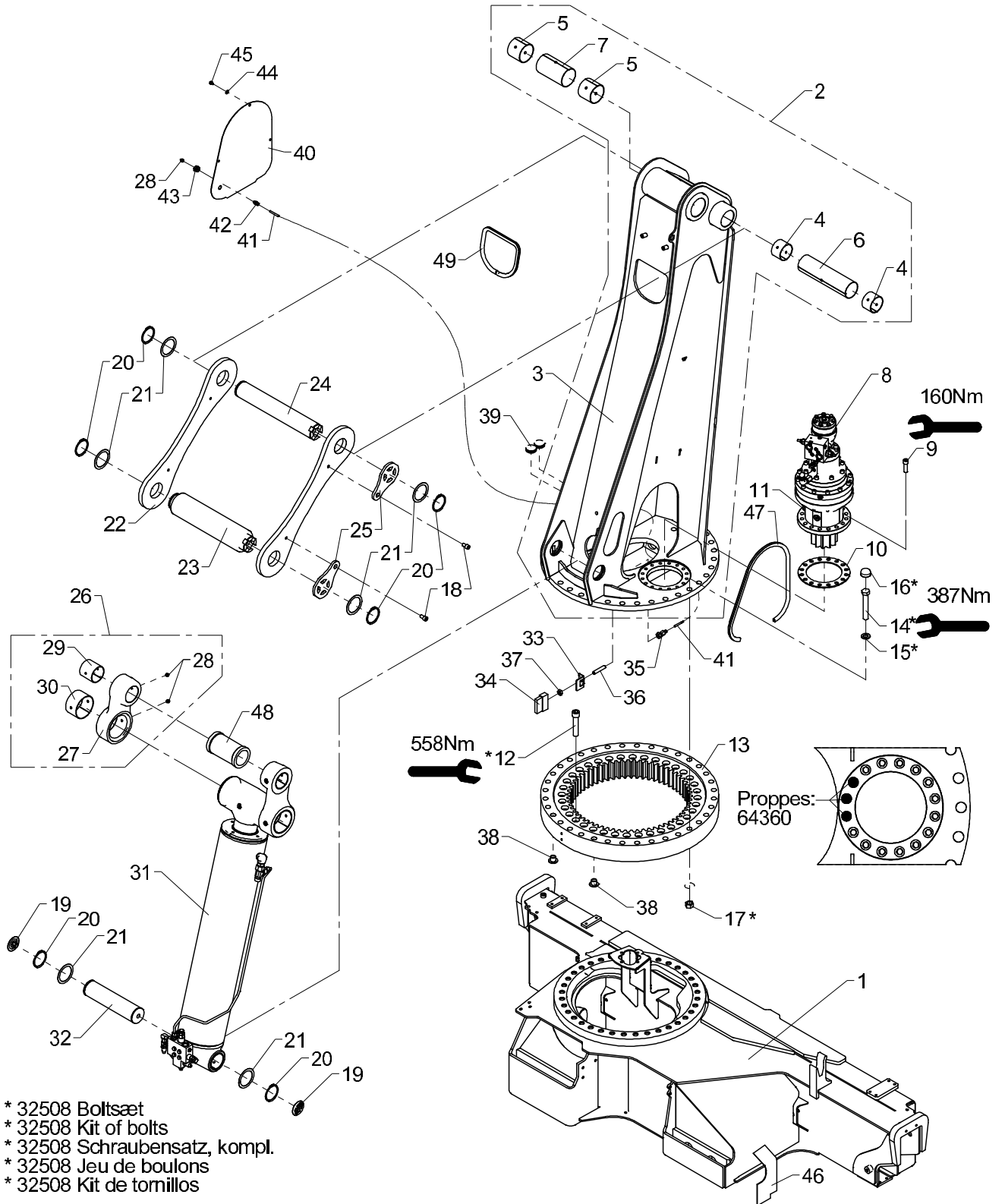
Pos	Qty.	Part no.	Description	Remarks
		6394000	Base/column + link arm, boom	
1	1	6394010	Base, painted	
2	1	6394020	Column with bushings	
3	1	6394030	Column, painted	
4	2	23337	Bushing	PM 7050 DX
5	2	23942	Bushing	PM 8070 DX
6	1	68054		
7	1	68053		
8	1	49188		
9	13	32487	Screw	MC14 x 45
10	1	6390069		
11	3	64360	Plug	
12	36	30474	Sockethead screw	MC20 x 100
13	1	50401	Pinion, painted	
14	34	32374	Steel bolt	M20 x 130
15	34	31761	Washer	20 mm
16	34	63413	Cover for nut	
17	34	32333	Nut	M20
18	2	31034		MC12 x 20
19	3	68033		
20	6	33139	Circlip	70U
21	6	33248	Washer	PS 70 x 90 x 1,0
22	2	6394402	Link arm N	
23	1	6394405	Link arm pin (Ø100 - CII)	
24	1	6394404	Link arm pin (Ø70 - L1)	
25	2	6394418		
26	2	6394050	Push rod, complete	
27	2	6394246	Push rod	
28	5	31318	Lubricator	1/8" RG
29	2	23338	Bushing	PM 7070 DX
30	2	23346	Bushing	PM 10060 DX
31	1	6395110	Boom cylinder with LHV	
32	1	6394406	Pin (Ø70 - CI)	
33	1	6394061	Safety device, lubrica. brush	
34	1	31395	Brush	
35	1	25580	Union nut	
36	1	6394069	Threaded pipe - 1/4"x65mm	
37	2	25354	Counter nut	1/4"
38	2	64350	Plug	
39	2	64381	Ferrule	
40	1	6394046		



540 01 010

# 32/222 PARTS

Internal ref. 63 94 000



**540 01 010**

From loader 1130001

To loader

## Base and column, complete incl. link arm system

Created 20-03-2013

Modified

---

Pos	Qty.	Part no.	Description	Remarks
41	1	62821	Nylon pipe	6 x 1,5 x 500 mm
42	1	25523	Connection	
43	1	25586	Lead-in	
44	3	32306	Washer	6 mm
45	3	30997	Screw	M6 x 10
46	1	19599		150mm
47	1	46587	Rubber protection	1000 mm
48	1	68068		
49	1	46587	Rubber protection	640 mm



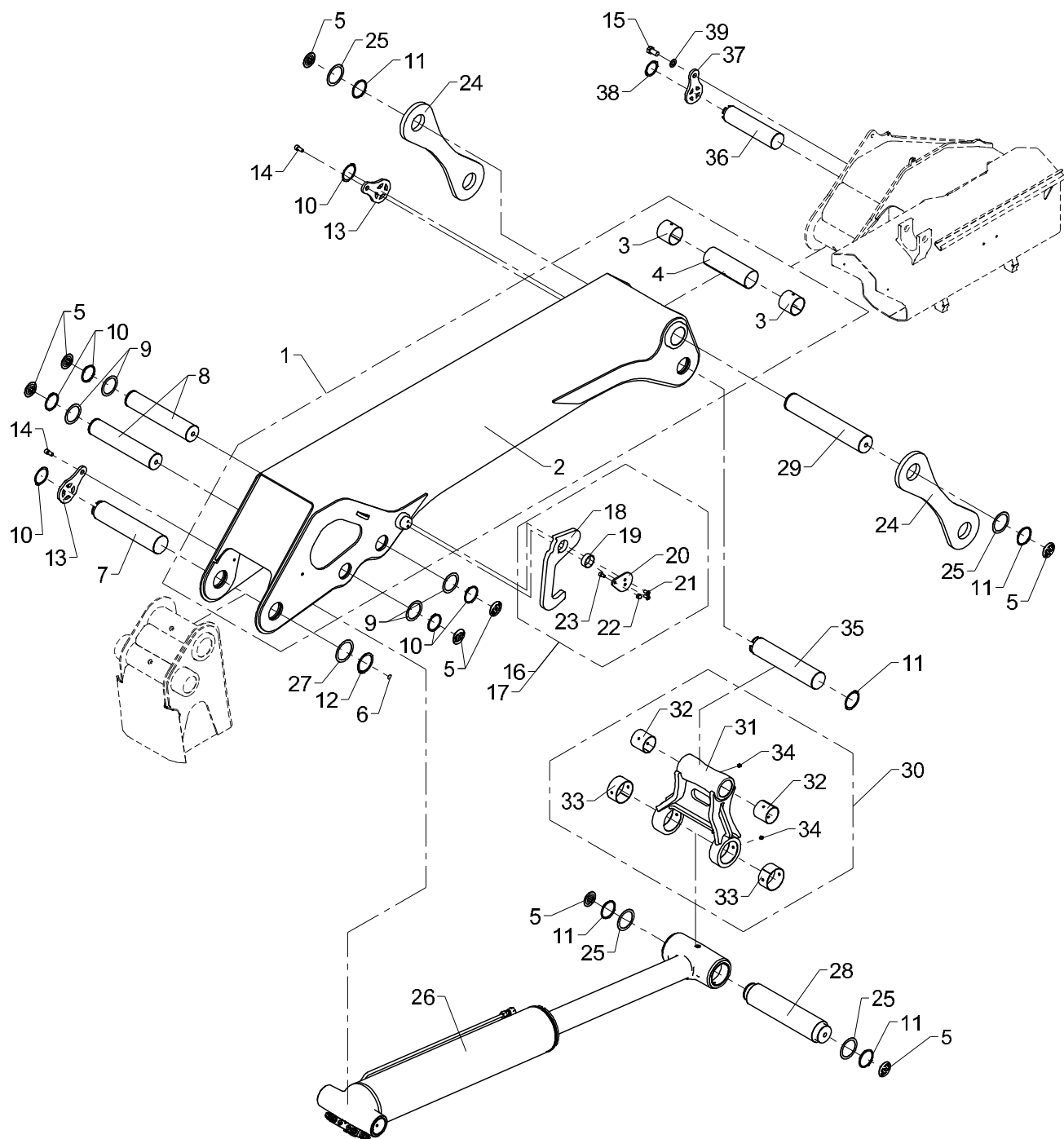
540 01 400

### 32/222 PARTS

63 95 180

63 95 080

Internal ref. 63 94 060





**540 01 400**

From loader 1130001

To loader

**Main boom, cpl. for link arm system, boom**

Created 20-03-2013

Modified

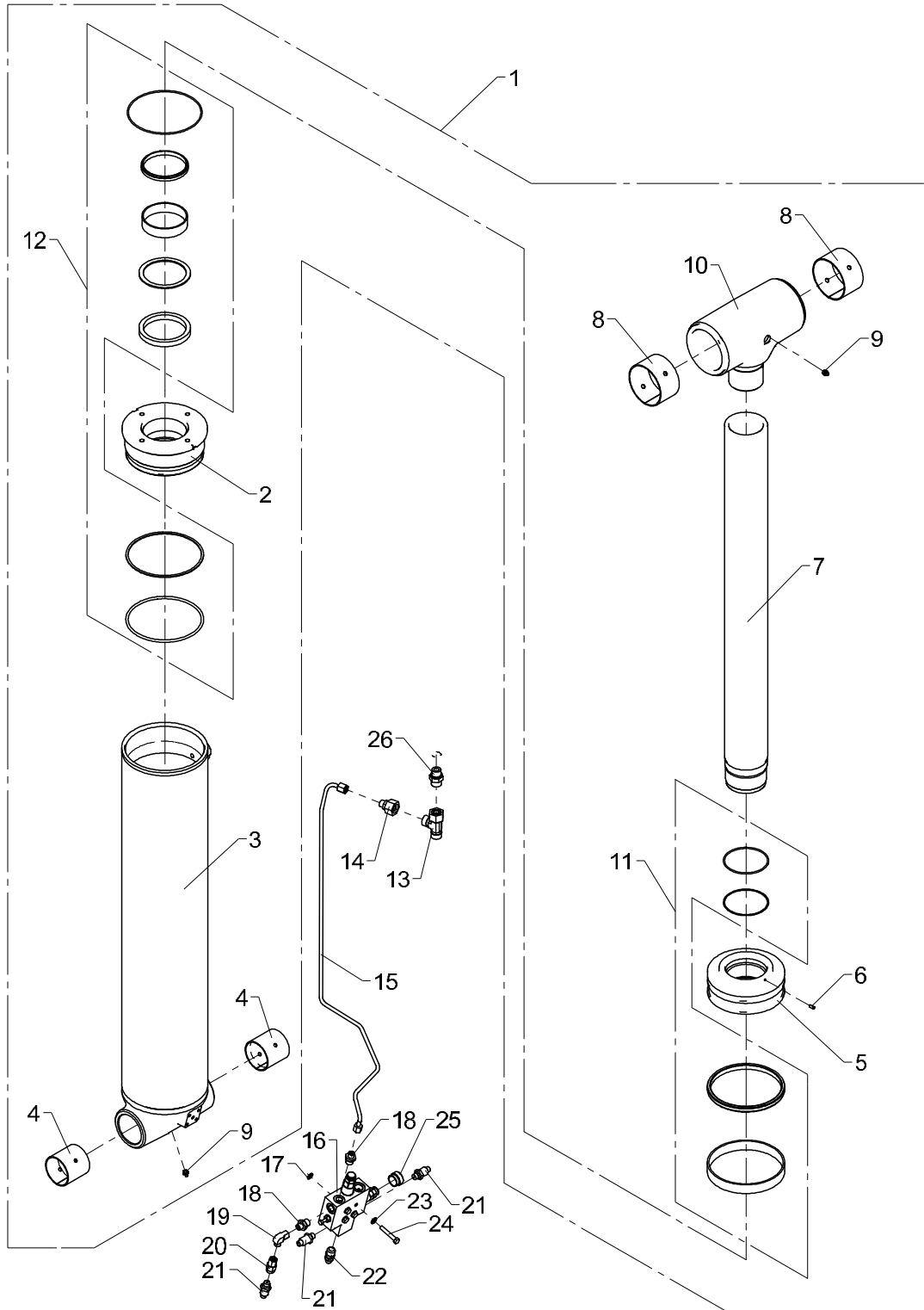
Pos	Qty.	Part no.	Description	Remarks
1	1	6394070	Main boom incl. bushings	
2	1	6394080		
3	2	23943	Bushing	PM 7570 DX
4	1	68052		
5	9	68033		
6	1	68034	Plug	
7	1	6394408		
8	2	6394411	Pin Ø70	
9	4	33248	Washer	PS 70 x 90 x 1,0
10	6	33139	Circlip	70U
11	5	33141	Circlip Din 471	70U
12	1	33143	Circlip	80U
13	2	6394418		
14	2	30537	Screw	MC12 x 25
15	1	30186	Set screw	M18 x 35
16	1	6395180		Ved indiv. slangeføring
17	1	6395080		
18	1	6394199		
19	1	23964		MB 5020 DU
20	1	6390198	End plate	
21	2	30926	Steel bolt	M10 x 20
22	1	30902	Nut	M10
23	1	30964	Screw	MC10 x 16
24	2	6394414	Link arm K	
25	4	33281		PS 75 x 95 x 1,0
26	1	6395130	Jib cylinder with LHV	
27	1	33247	Washer	PS 80 x 100 x 1,0
28	1	6394413		
29	1	6394409		
30	1	6394090		63 90 171
31	1	6394313	Push rod	
32	2	23338	Bushing	PM 7070 DX
33	2	23965	Bushing	PM 9550 DX
34	3	31318	Lubricator	1/8" RG
35	1	6394417		
36	1	6394412		
37	1	6394419		
38	1	33135	Circlip	60U
39	1	31132	Washer	18 mm



540 01 510

# 32/222 PARTS

Internal ref. 63 95 110



**540 01 510**

From loader 1130001

To loader

Created 20-03-2013

Modified

**Boom cylinder with LHV**

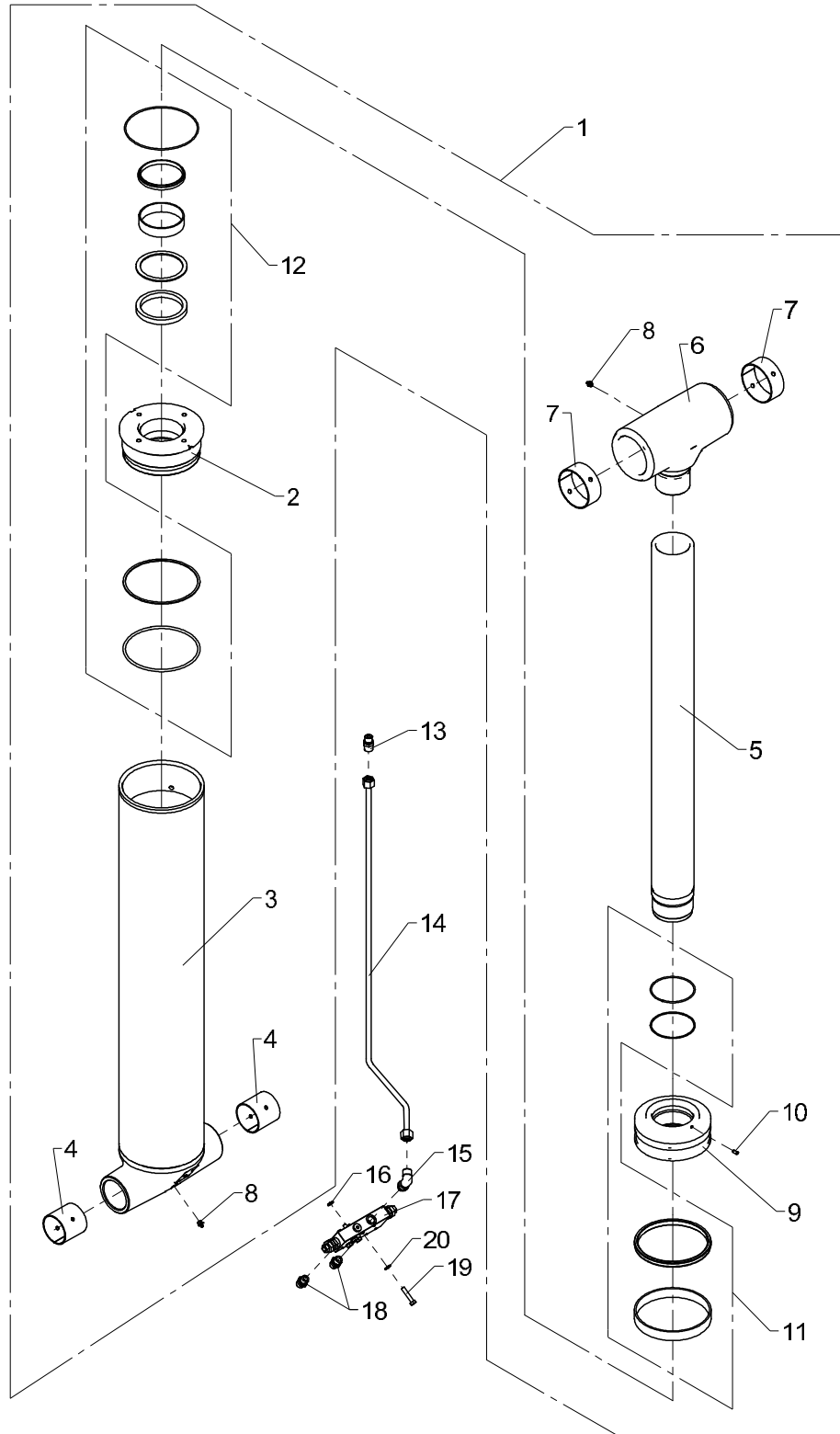
Pos	Qty.	Part no.	Description	Remarks
1	1	6395100		
2	1	6393125		
3	1	6395101		
4	2	23338	Bushing	PM 7070 DX
5	1	6346145	Piston	
6	1	32256	Pointed screw	MSP6 x 12
7	1	6395106		
8	2	23346	Bushing	PM 10060 DX
9	2	31318	Lubricator	1/8" RG
10	1	6395107		
11	1	6894040	Seal kit	
12	1	6894740		
13	1	26342	Connection	ELSD 16 S
14	1	26879	Reducing connection	REDSDN 16/8 S
15	1	6394208		
16	1	55227	Valve	
17	1	20138	O-ring	OR 10,77 x 2,62
18	2	25244	Connection	GES 8 LR 3/8-WD
19	1	26170	Elbow connection	EWSD 8 L
20	1	26370	Pressure gauge connection	EMASD 8 LR
21	3	28850	Pressure transducer	
22	1	26103	Pressure-gauge connect.	
23	4	31147	Face washer, 8 mm	
24	4	30139	Steel bolt, stainless	M8 x 50
25	1	55369	Cover for sealing	
26	1	26334	Connection	P-GEV 16 SR-WD



540 01 610

# 32/222 PARTS

Internal ref. 63 95 130



**540 01 610**

From loader 1130001

To loader

Created 20-03-2013

Modified

**Jib cylinder with LHV**

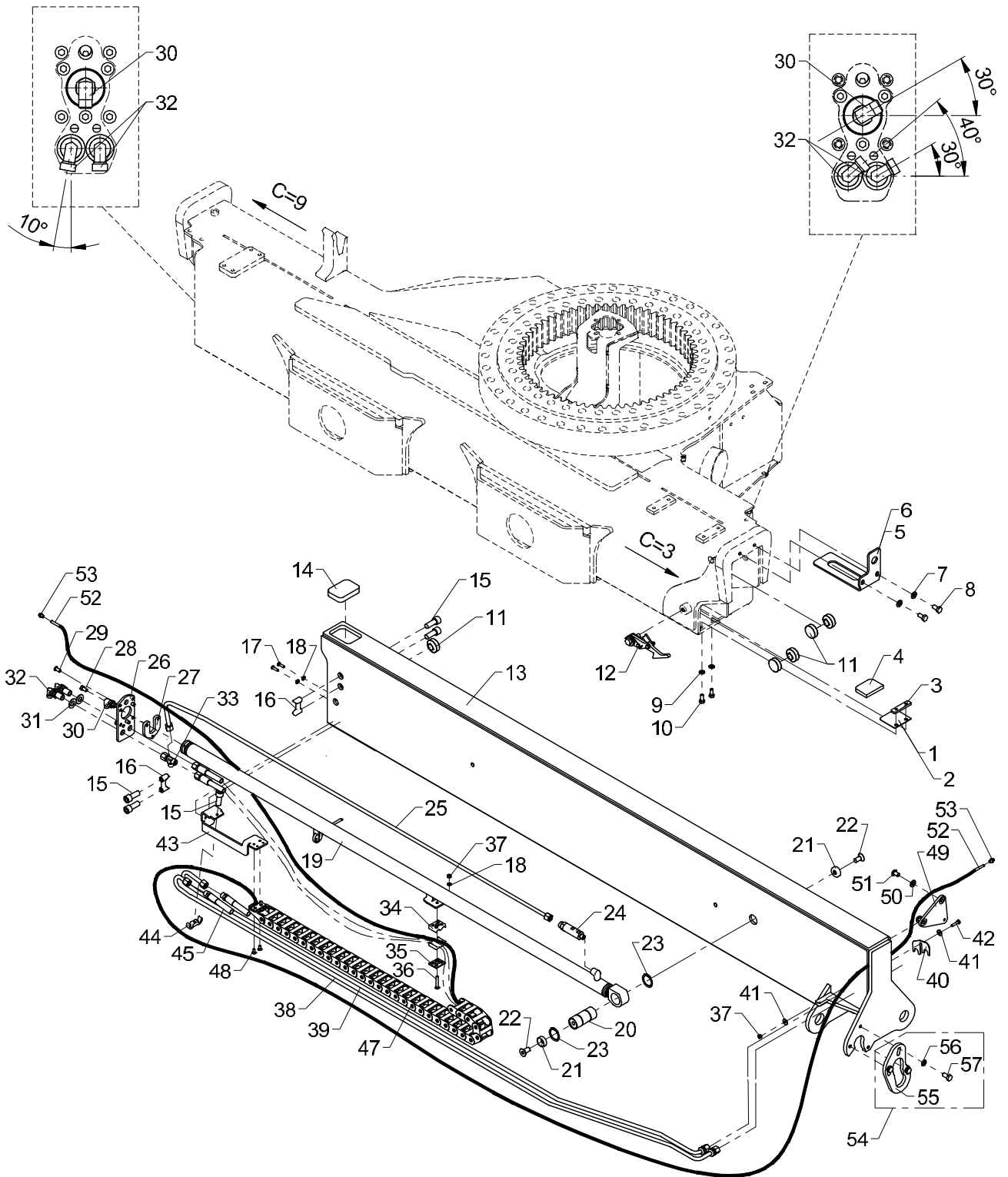
Pos	Qty.	Part no.	Description	Remarks
1	1	6395120		
2	1	6393125		
3	1	6395121		
4	2	23338	Bushing	PM 7070 DX
5	1	6395126		
6	1	6395127		
7	2	23941	Bushing	PM 9540 DX
8	2	31318	Lubricator	1/8" RG
9	1	6346145	Piston	
10	1	32256	Pointed screw	MSP6 x 12
11	1	6894040	Seal kit	
12	1	6894740		
13	1	26396	Straight connection	P-GEV 12 SR-WD
14	1	6394228		
15	1	26895	Elbow connection	12 mm - 3/8"
16	1	20138	O-ring	OR 10,77 x 2,62
17	1	59027	Load-holding valve	
18	2	25127	Connection	P-GEV 12 LR-WD
19	4	30137	Set screw, stainless	M8 x 40
20	4	31147	Face washer, 8 mm	



540 02 010

# 32/222 PARTS

63 94 240  
Internal ref. 63 94 120



**540 02 010**

From loader 1130001

To loader

**Stabilizer beam type S 1625**

Created 11-07-2012

Modified 19-02-2013

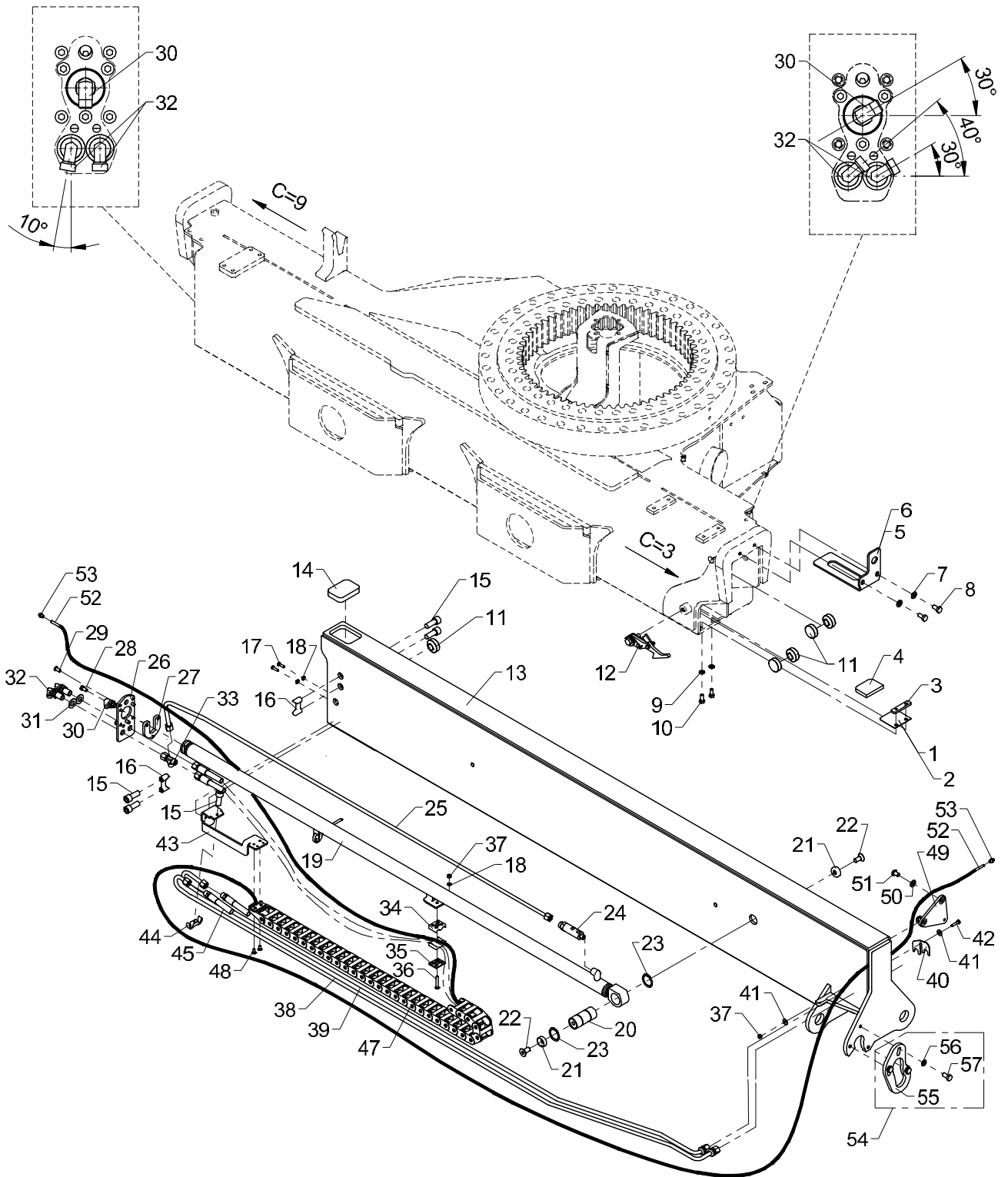
Pos	Qty.	Part no.	Description	Remarks
1	1	6394108	Division plate, 1mm	
2	1	6394105	Division plate, 2mm	
3	1	6394109	Spacer	
4	1	68061	Slide block	
5	1	6394128	Spacer, 5mm	
6	1	6394129	Spacer, 6mm	
7	2	31565	Washer, stainless	10 mm
8	2	31517	Set screw, stainless	M10 x 20
9	2	31147	Face washer, 8 mm	
10	2	30132	Set screw, stainless	
11	6	63500	Guide 12 mm	
12	1	6306140	Safety lock	
13	1	6394091	Stabilizer beam	
14	1	63497	Slide block	
15	5	30482	Screw	MC14 x 35
16	2	63556	Guide	
17	2	32491	Round-head screw	M6 x 20
18	3	32302	Face washer, stainless	6 mm
19	1	6344210	Beam cylinder	
20	1	6392147	Pin	
21	2	6306241	Mounting plate	
22	2	30586	Countersunk screw	MK12 x 25
23	2	33117	Circlip	35U
24	1	55294	Counter-balance valve	
25	1	6390195	Pipe	
26	1	6344097	End plate	
27	1	6344098	Bracket	
28	3	32478	Screw	M8 x 16
29	4	32481	Screw	MCL8 x 16
30	1	26898	Elbow connection	8 mm - 1/4"
31	2	31195	Washer	14 mm
32	2	26894	Elbow connection	10mm - 90 gr.
33	1	26878	Connection	ELSD 10L
34	2	64408	Clamp	
35	1	6344106	Welding plate	
36	1	32352	Countersunk screw	MK6 x 40
37	2	30884	Lock nut, stainless	M6
38	1	6394151	Pipe	
39	1	6394152	Pipe	
40	1	6306164	Bracket	
41	2	31134	Washer, stainless	



540 02 010

### 32/222 PARTS

63 94 240  
Internal ref. 63 94 120





**540 02 010**

From loader 1130001

To loader

**Stabilizer beam type S 1625**

Created 11-07-2012

Modified 19-02-2013

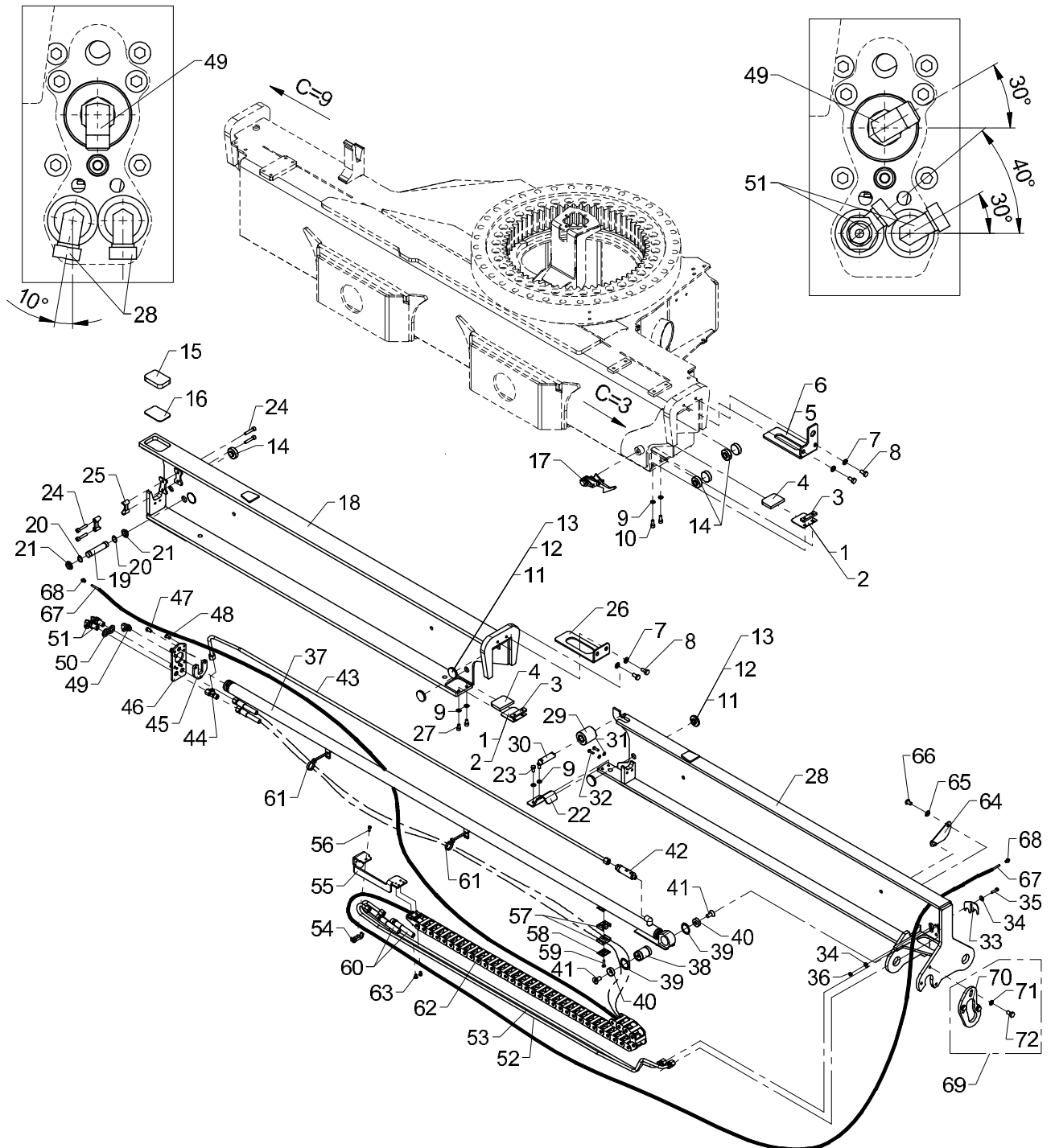
Pos	Qty.	Part no.	Description	Remarks
42	1	30114	Set screw, stainless	M6 x 25
43	1	6344096	Clamp	
44	1	6306097	Clamp	
45	2	56364	Hose	5/16" x 2300 mm L/S - 10
46	1	27275	Cable tie, black, 7.6x385mm	
47	1	28886	Nylon drag chain	
48	2	30542	Counter-sunk screw	MK6 x 12
49	1	6394336	Shim	
50	2	31177	Washer	10 mm
51	2	31081	Screw	M10 x 16
52	1	29436	Cable 2 x 0.75	4 m
53	2	29437		
54	1	6394240	Parts for stab. cyl., type R	
55	1	6394106	Shim	
56	3	30933	Nordlock washer	
57	3	31517	Set screw, stainless	M10 x 20



540 02 040

# 32/222 PARTS

63 94 240  
Internal ref. 63 94 130



**540 02 040**

From loader 1130001

To loader

**Stabilizer beam type D 2065**

Created 03-07-2012

Modified 19-02-2013

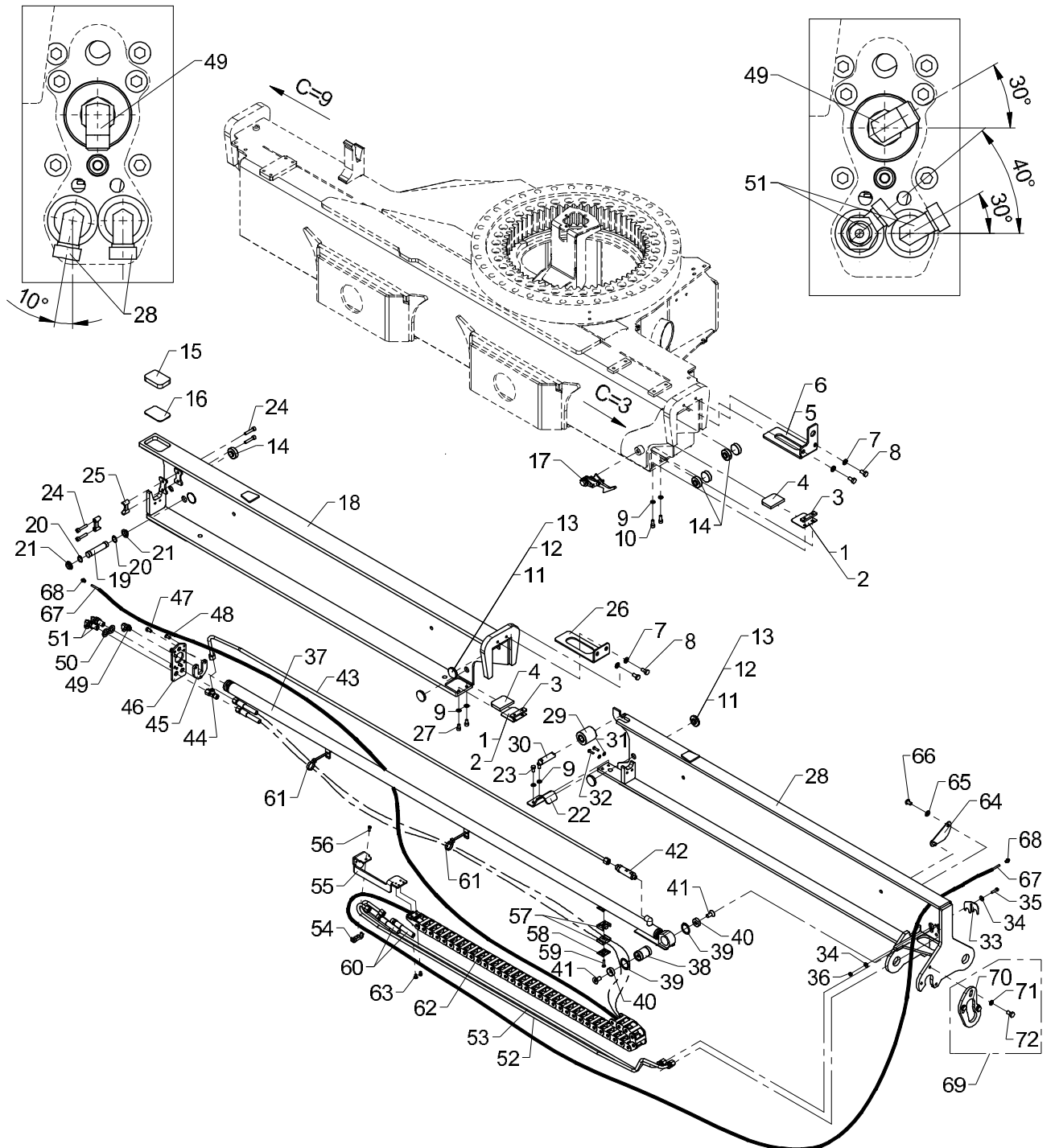
Pos	Qty.	Part no.	Description	Remarks
1	2	6394108	Division plate, 1mm	
2	2	6394105	Division plate, 2mm	
3	2	6394109	Spacer	
4	2	68061	Slide block	
5	1	6394129	Spacer, 6mm	
6	1	6394128	Spacer, 5mm	
7	4	31565	Washer, stainless	10 mm
8	4	31517	Set screw, stainless	M10 x 20
9	6	31147	Face washer, 8 mm	
10	2	30438	Screw	MC8 x 20
11	6	63494	Guide 6.5 mm	
12	4	63495	Guide 7.5 mm	3 mm
13	4	63496	Guide 8.5 mm	3 mm
14	6	63500	Guide 12 mm	
15	1	63497	Slide block	
16	1	6394177		
17	1	6306140	Safety lock	
18	1	6394111		
19	1	6394156		
20	2	33108	Circlip	20U
21	2	23423	Bushing	GFM 2023
22	1	6390155	Spring	
23	2	30131	Set screw, stainless	M8 x 16
24	4	30445	Sockethead screw	MC8 x 40
25	2	63556	Guide	
26	1	6394126		
27	2	32415	Sockethead screw	MC8 x 14
28	1	6394131		
29	1	68056	Guide roller	
30	1	6394146		
31	2	32302	Face washer, stainless	6 mm
32	2	32491	Round-head screw	M6 x 20
33	1	6306164	Bracket	
34	2	31134	Washer, stainless	
35	1	30114	Set screw, stainless	M6 x 25
36	1	30884	Lock nut, stainless	M6
37	1	6344220	Beam cylinder	
38	1	6340119	Pin	
39	2	33117	Circlip	35U
40	2	6306241	Mounting plate	
41	2	30586	Countersunk screw	MK12 x 25



540 02 040

# 32/222 PARTS

63 94 240  
Internal ref. 63 94 130



**540 02 040**

From loader 1130001

To loader

**Stabilizer beam type D 2065**

Created 03-07-2012

Modified 19-02-2013

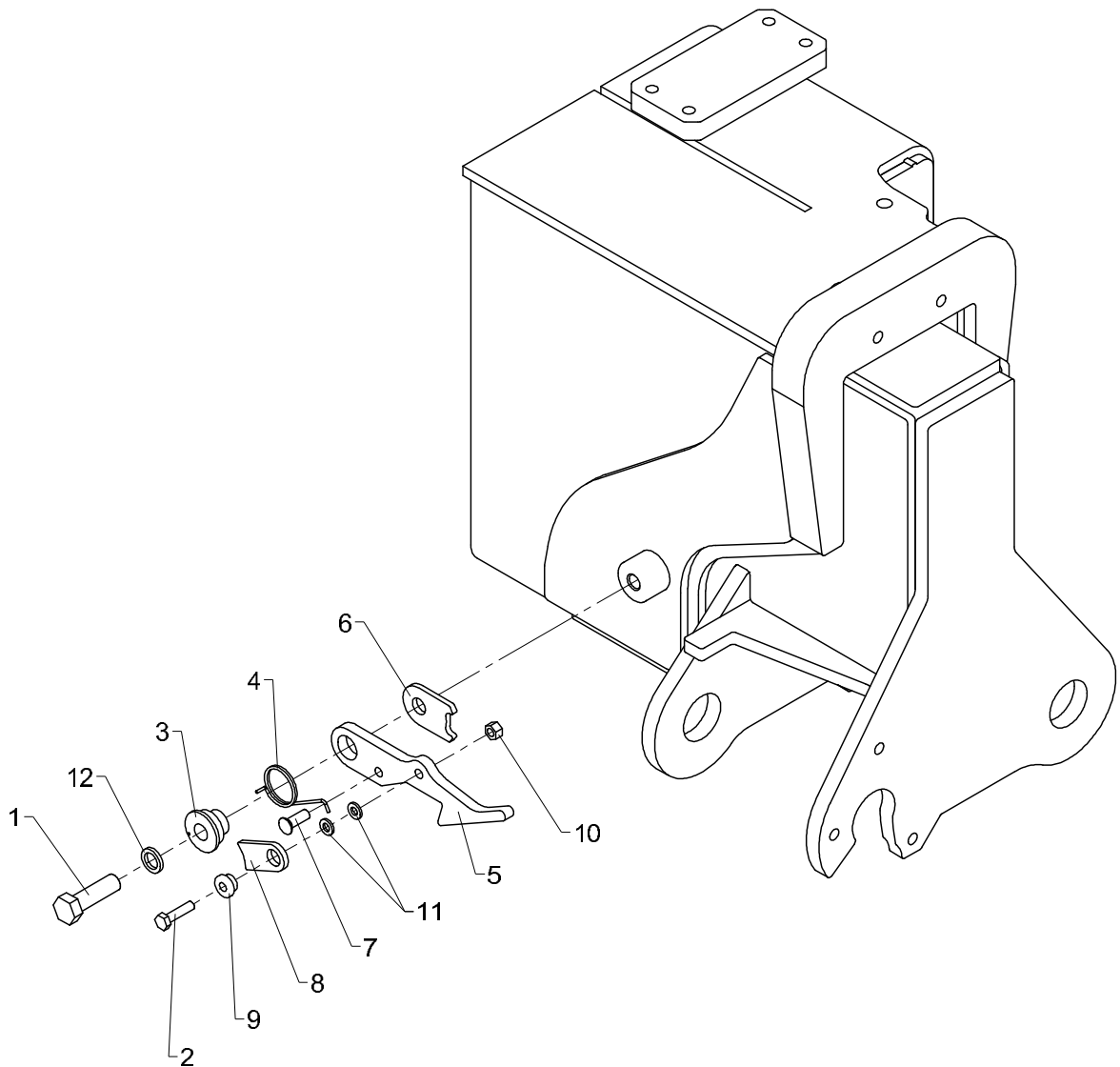
Pos	Qty.	Part no.	Description	Remarks
42	1	55294	Counter-balance valve	
43	1	6390196		
44	1	26878	Connection	ELSD 10L
45	1	6344098	Bracket	
46	1	6344097	End plate	
47	3	32478	Screw	M8 x 16
48	4	32481	Screw	MCL8 x 16
49	1	26898	Elbow connection	8 mm - 1/4"
50	2	31135	Washer	16 mm
51	2	26894	Elbow connection	10mm - 90 gr.
52	1	6394153		
53	1	6394154		
54	1	6306097	Clamp	
55	1	6344096	Clamp	
56	1	32490	Screw	MCL6 x 16
57	2	64408	Clamp	
58	1	6344106	Welding plate	
59	1	32261		MK6 x 25
60	2	56365	Hose	5/16" x 3340 mm L/S - 10
61	2	27275	Cable tie, black, 7.6x385mm	
62	1	28887	Nylon drag chain	
63	2	30542	Counter-sunk screw	MK6 x 12
64	1	6394262		
65	2	31177	Washer	10 mm
66	2	31081	Screw	M10 x 16
67	1	29436	Cable 2 x 0.75	4 m
68	2	29437		
69	1	6394240	Parts for stab. cyl., type R	
70	1	6394106	Shim	
71	3	31517	Set screw, stainless	M10 x 20
72	3	30933	Nordlock washer	



540 02 140

### 32/222 PARTS

Internal ref. 63 94 140



**540 02 140**

From loader 1130001

To loader

Created 13-03-2013

Modified

## Stabilizer safety lock

---

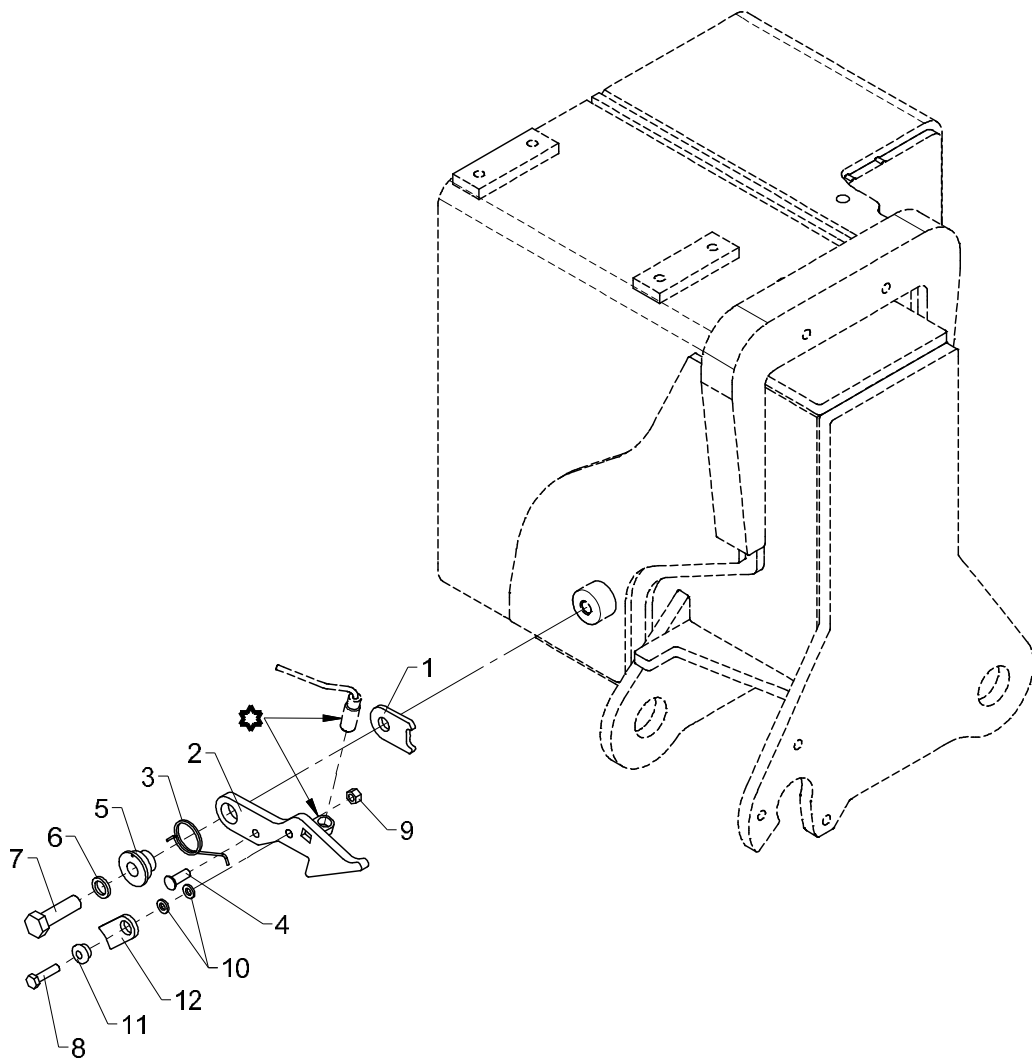
Pos	Qty.	Part no.	Description	Remarks
1	1	30179	Set screw	M12 x 40
2	1	30114	Set screw, stainless	M6 x 25
3	1	6245264	Bushing	
4	1	33473	Spring	6179044
5	1	6245244	Hook	
6	1	6236044	Plate	
7	1	31290	Spike, galvanized	7 x 20
8	1	6236054	Click	
9	1	63440	Washer	
10	1	30884	Lock nut, stainless	M6
11	2	31154	Spring washer, stainless	6 mm
12	1	31576	Spring washer, stainless	12 mm



540 02 160

# 32/222 PARTS

Internal ref. 63 91 810



 Loctite 243



**540 02 160**

From loader 1130001

To loader

Created 13-02-2012

Modified

## Safety lock (CE)

---

Pos	Qty.	Part no.	Description	Remarks
1	1	6236044	Plate	
2	1	6390374		
3	1	33473	Spring	6179044
4	1	31290	Spike, galvanized	7 x 20
5	1	6245264	Bushing	
6	1	31576	Spring washer, stainless	12 mm
7	1	30179	Set screw	M12 x 40
8	1	30114	Set screw, stainless	M6 x 25
9	1	30884	Lock nut, stainless	M6
10	2	31154	Spring washer, stainless	6 mm
11	1	63440	Washer	
12	1	6236054	Click	



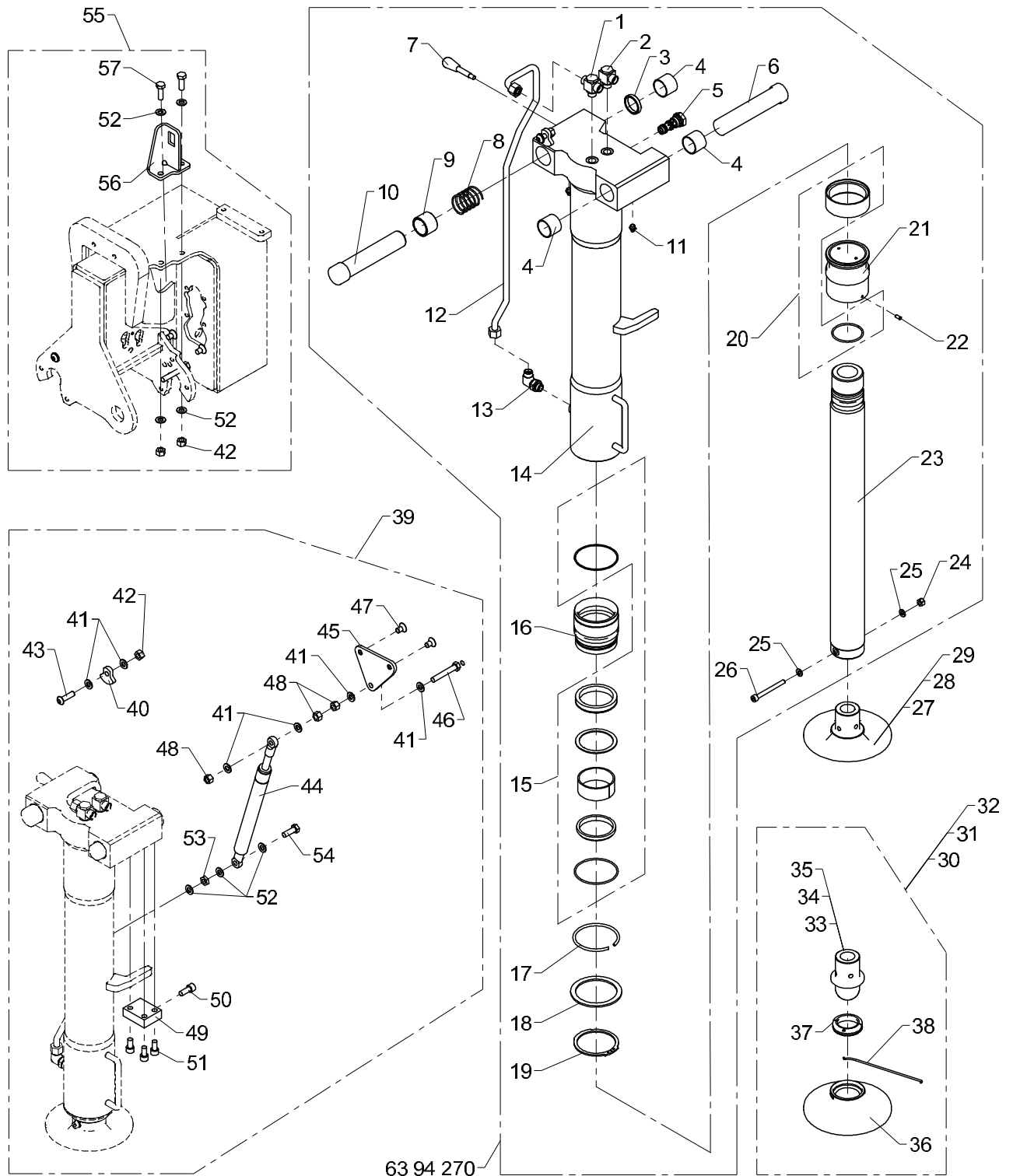
540 02 200

# 32/222 PARTS

63 90 180

63 95 270

Internal ref. 63 94 270



**Stabilizer cylinder, C90-520**

Pos	Qty.	Part no.	Description	Remarks
		6394270	Stabilizer cylinder C110-550	
		6395270	Gas spring R180 f. stab. cyl.	
		6390180	Parts for stowing bracket	
1	1	26877	T banjo union	RSTS 12 LR
2	1	25130	Banjo connection	RSWV 12 LR
3	1	6390258	Distance ring	
4	3	23408	Composite bearing	ø35/39 x 30
5	1	58496	Cartridge	
6	1	6390256	Pin	
7	1	64352	Lever with knob	
8	1	33495	Compression spring	
9	1	6390257	Bushing	
10	1	6390255	Pin	
11	2	31318	Lubricator	1/8" RG
12	1	6394268		
13	1	26897	Elbow connection	12 mm - 3/8"
14	1	6394251		
15	1	6893840	Seal kit, guide	
16	1	6306501	Guide	
17	1	33488	Lock ring, black	
18	1	33236	Back ring	SS 85 x 105 x 3,5
19	1	33145	Circlip	80U
20	1	6893850	Seal kit, piston + rod	
21	1	6306502	Piston	
22	1	32256	Pointed screw	MSP6 x 12
23	1	6306503	Piston rod	
24	1	30886	Lock nut, stainless	M8
25	2	31147	Face washer, 8 mm	
26	1	30965	Screw	MC8 x 80
27	1	6306506	Footplate, standard	
28	1	6306509	Footplate, 100mm. extension	
29	1	6306512	Footplate, 200mm. extension	
30	1	6346680	Footplate + ball joint std.	
31	1	6346690		
32	1	6346700		
33	1	6306517	Ball joint	
34	1	6306518	Ball joint, (100mm ext)	
35	1	6306519	Ball joint (200 mm ext.)	
36	1	68026	Footplate ø 180 mm	
37	2	6306516	Ball seat catch	
38	1	33927	Locking wire	



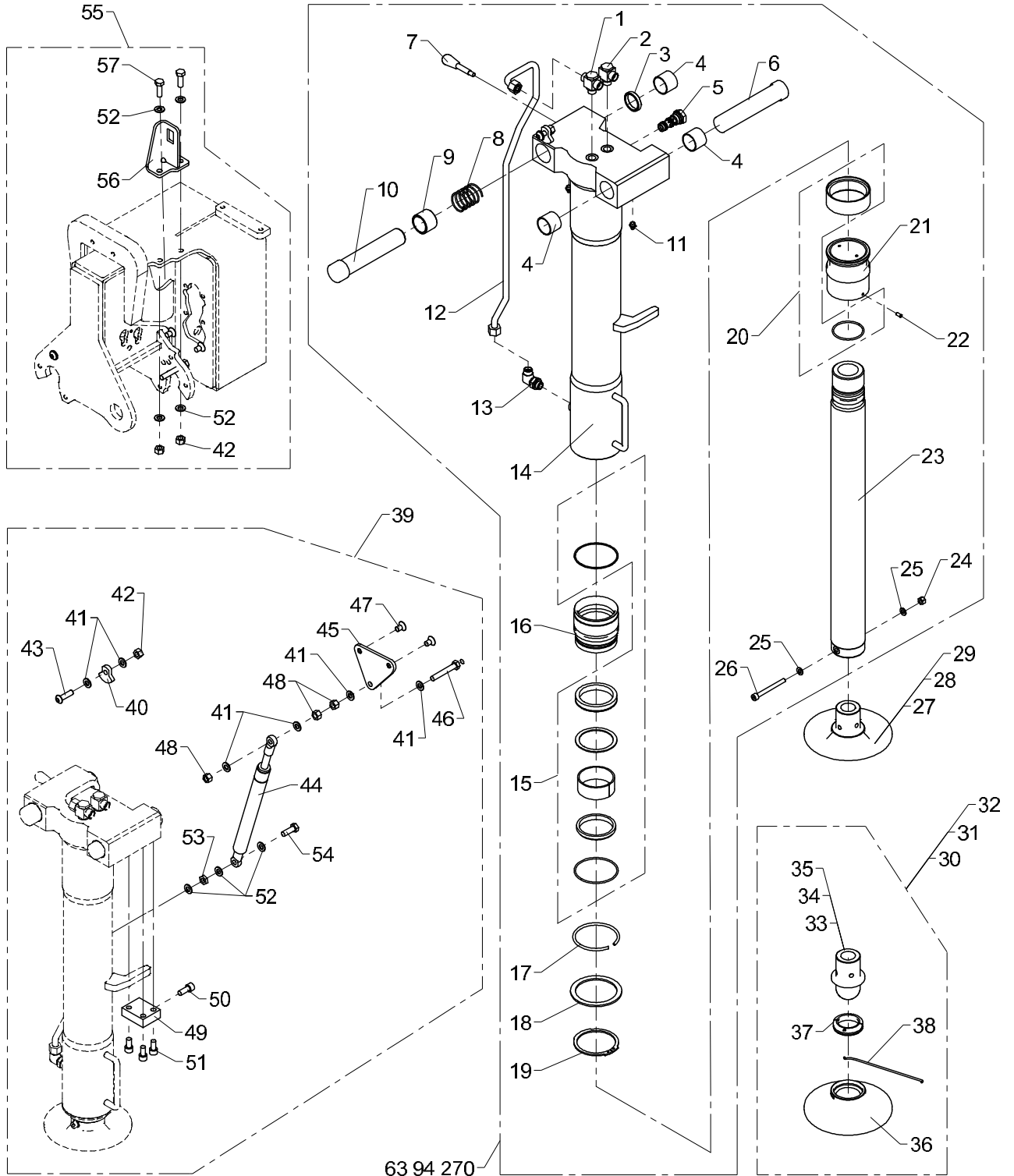
540 02 200

# 32/222 PARTS

63 90 180

63 95 270

Internal ref. 63 94 270



**540 02 200**

From loader 1130001

To loader

Created 20-03-2013

Modified

**Stabilizer cylinder, C90-520**

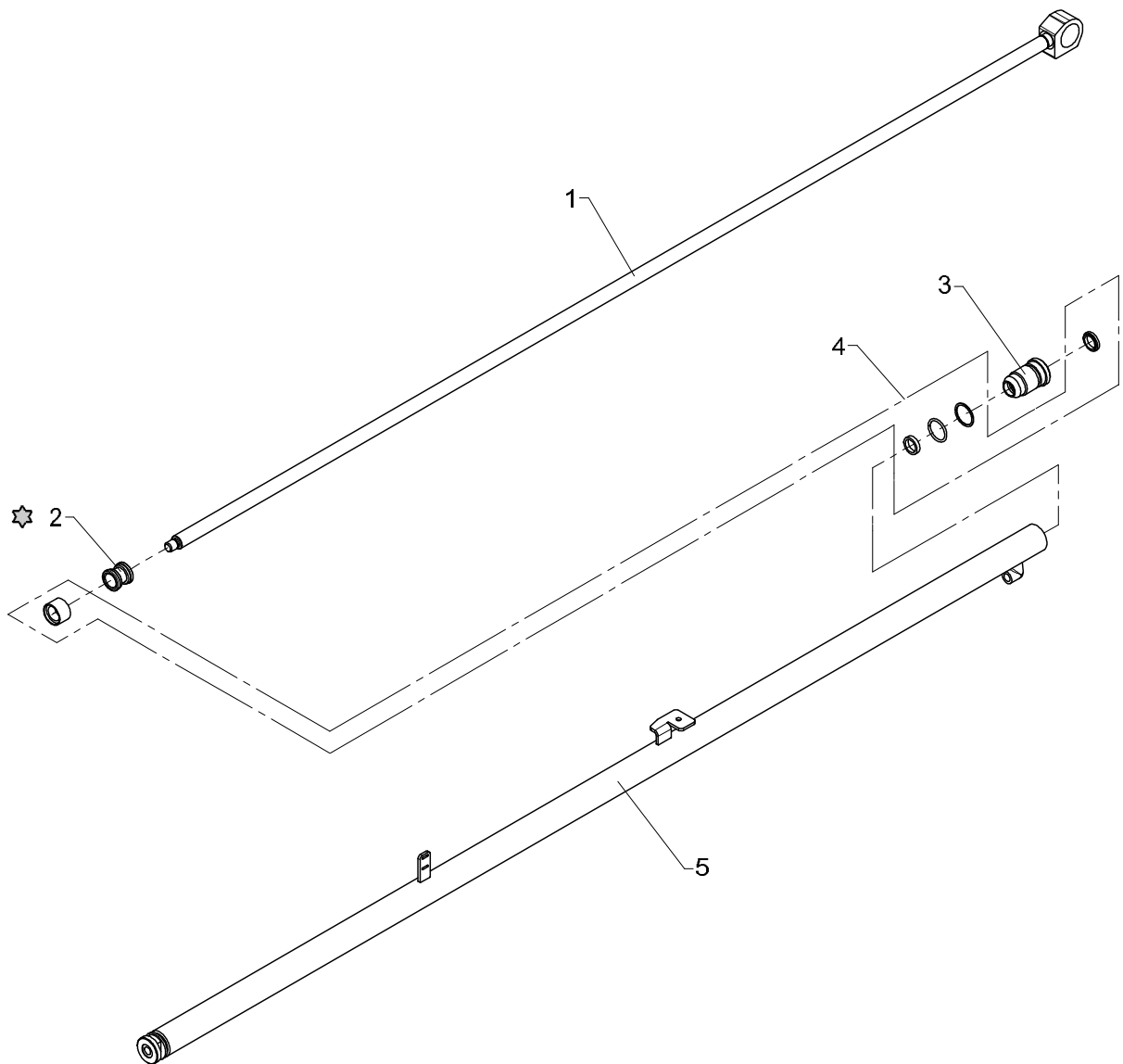
Pos	Qty.	Part no.	Description	Remarks
39	1	6395270		
40	1	6390272		
41	6	31177	Washer	10 mm
42	3	31564	Lock nut, stainless	M10
43	1	31772	Screw	M10 x 35
44	1	48487	Gas spring	
45	1	6394336	Shim	
46	1	32303	Set screw	M10 x 65
47	2	30553	Countersunk screw	MK10 x 16
48	3	30888	Lock nut	
49	1	6394279		
50	1	30453	Screw	MC10 x 25
51	3	30451	Screw	MC10 x 20
52	7	31565	Washer, stainless	10 mm
53	1	32111	Counter nut	M10
54	1	30156	Set screw, stainless	M10 x 30
55	1	6390180		
56	1	6390271	Bracket	
57	2	30156	Set screw, stainless	M10 x 30



540 02 300

### 32/222 PARTS

Internal ref. 63 44 210



☆ Loctite 243

**540 02 300**

From loader 1130001

To loader

Created 12-11-2008

Modified 08-02-2012

## Beam cylinder C32 - 1625

---

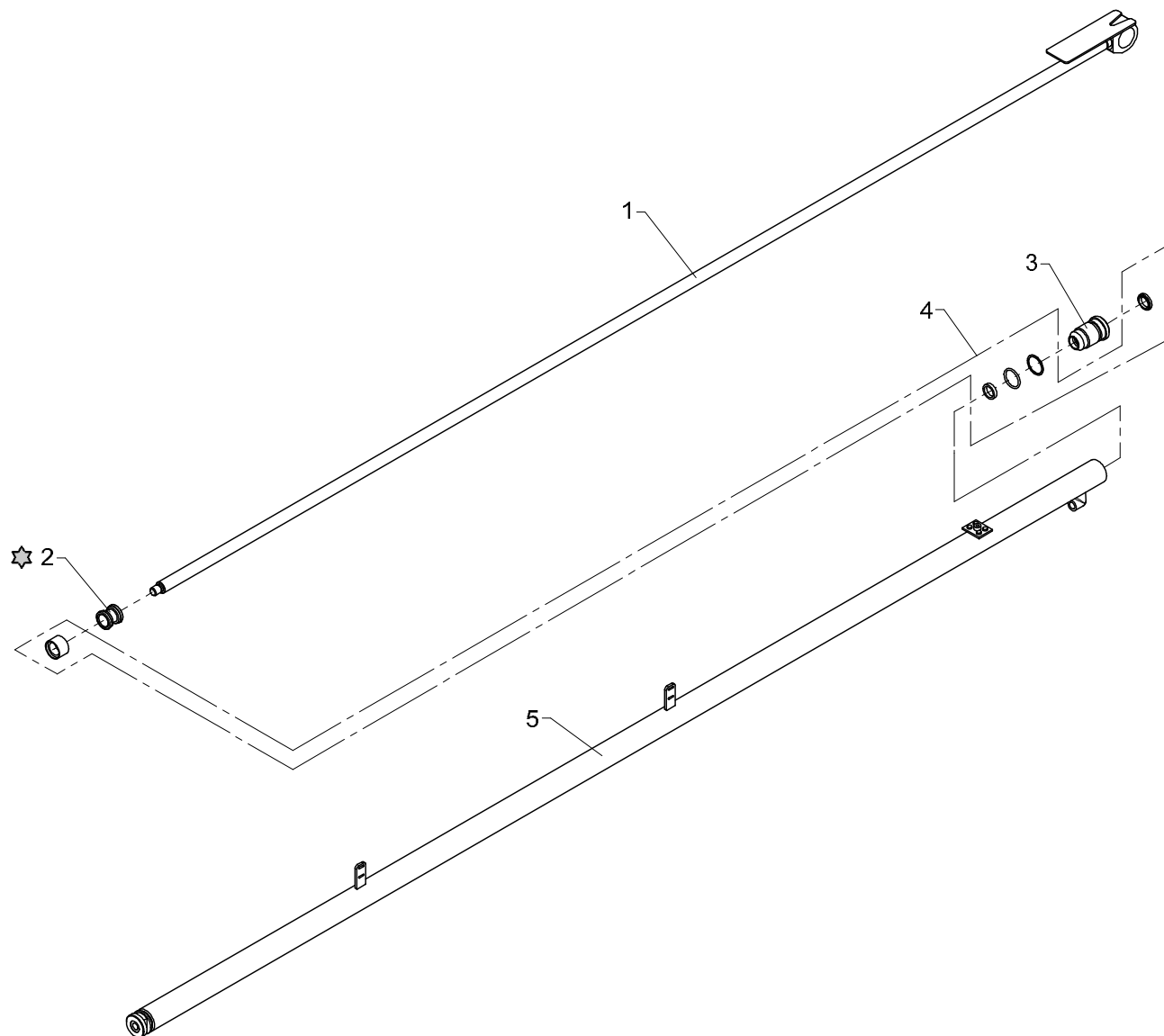
Pos	Qty.	Part no.	Description	Remarks
1	1	6344214	Piston rod	
2	1	6306242	Piston	
3	1	6043034	Guide	
4	1	6892290	Seal kit	
5	1	6344211	Cylinder pipe	



540 02 310

### 32/222 PARTS

Internal ref. 63 44 220



☆ Loctite 243



**540 02 310**

From loader 1130001

To loader

**Beam cylinder C32 - 2065**

Created 12-11-2008

Modified 05-03-2010

---

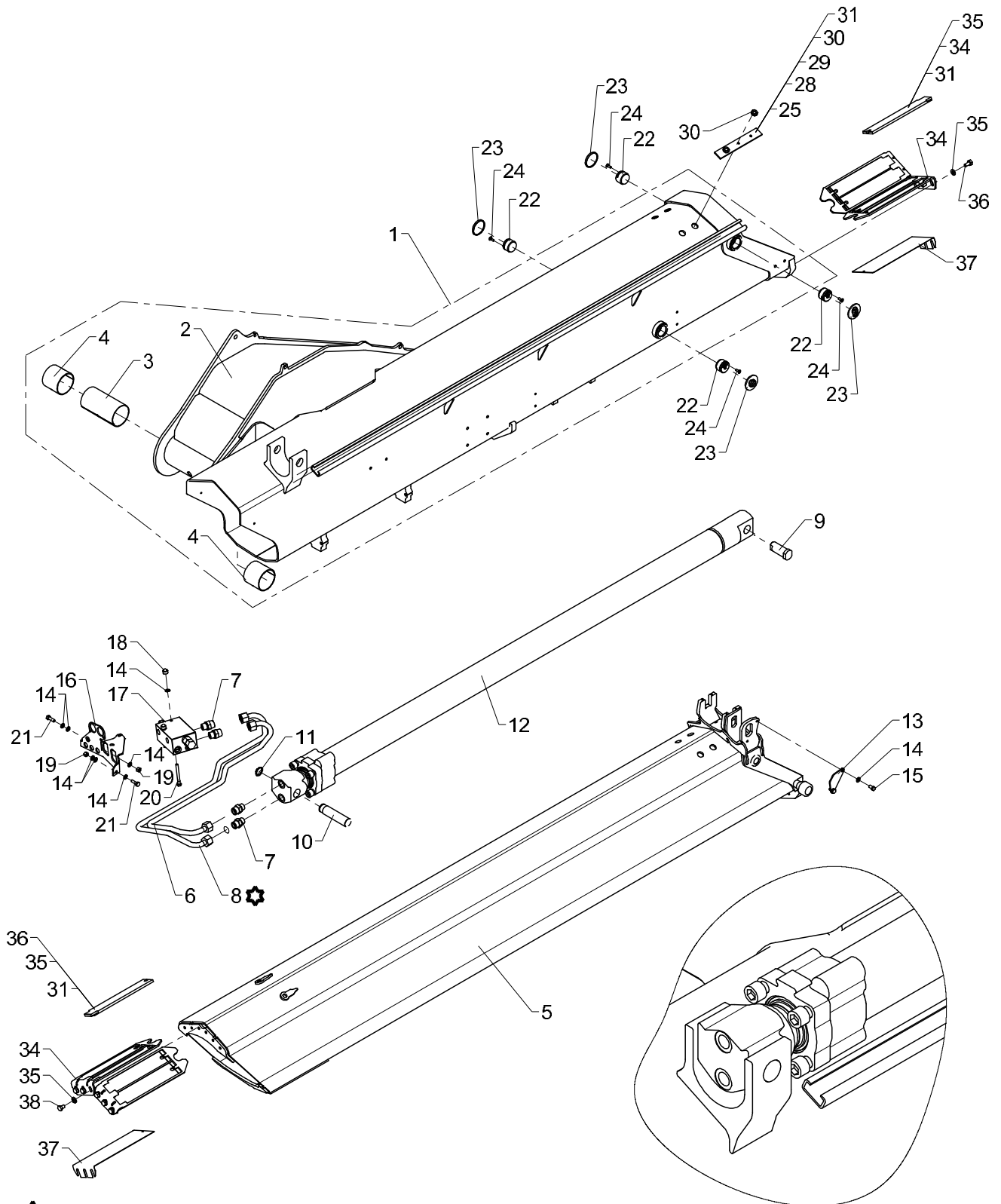
Pos	Qty.	Part no.	Description	Remarks
1	1	6344223	Piston rod	
2	1	6306242	Piston	
3	1	6043034	Guide	
4	1	6892290	Seal kit	
5	1	6344221	Cylinder pipe	



540 03 100

# 32/222 PARTS

Internal ref. 63 94 320



**540 03 100**

From loader 1130001

To loader

**Jib and K1 extension, complete**

Created 24-04-2012

Modified 20-02-2013

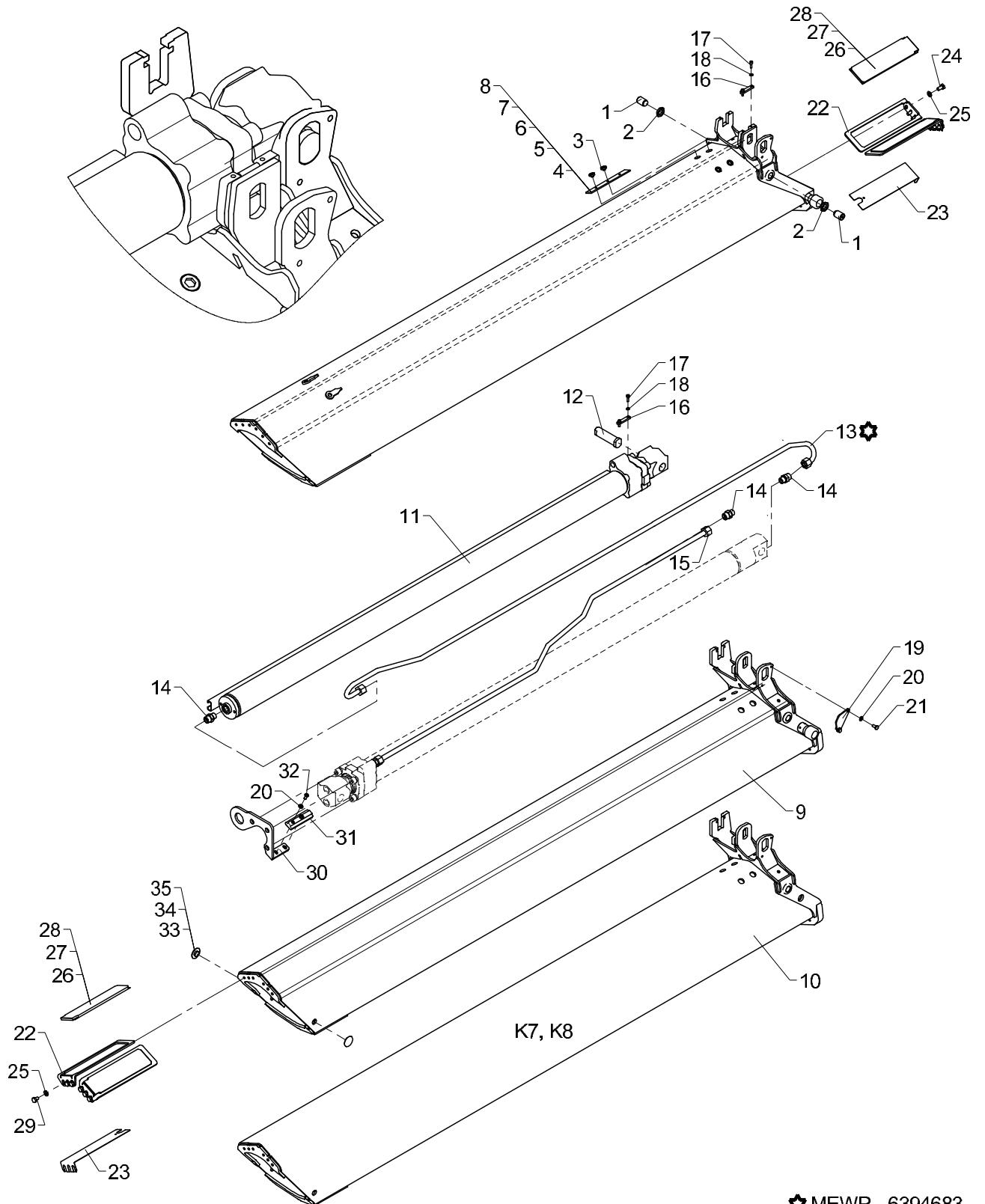
Pos	Qty.	Part no.	Description	Remarks
1	1	6394100		
2	1	6394110		63 90 281
3	1	68055	Plate	
4	2	23943	Bushing	PM 7570 DX
5	1	6394321	Extension I	
6	1	6394642		
7	4	26334	Connection	P-GEV 16 SR-WD
8	1	6394641		
9	1	6394551		
10	1	6390556	Pin	
11	1	33122	Circlip	28U
12	1	6394540	Extension cyl. I	
13	1	6390559	End plate	
14	10	31147	Face washer, 8 mm	
15	2	30131	Set screw, stainless	M8 x 16
16	1	6394304		
17	1	59044	Load holding valve	
18	2	64515	Cover for nut	
19	4	30886	Lock nut, stainless	M8
20	2	30812	Steel bolt, stainless	M8 x 75
21	2	30134	Set screw, stainless	M8 x 25
22	4	6300334	Guide	
23	4	64362	Plastic plug	
24	8	30540	Countersunk screw	MK6 x 16
25	2	6360414	Spacer	4 mm
26	2	6294434	Spacer	5 mm
27	2	6193304	Spacer	6 mm
28	2	6235944	Spacer	7 mm
29	2	6193314	Spacer	8 mm
30	4	31864	Allen screw	M8 x 6
31	8	63588	Slide block	8 mm
32	8	63589	Slide block	9 mm
33	8	63590	Slide block	10 mm
34	4	6394394	Bracket for slide block	
35	12	31177	Washer	10 mm
36	6	31517	Set screw, stainless	M10 x 20
37	4	6300532	Shim	
38	6	30152	Set screw	M10 x 14



540 03 110

# 32/222 PARTS

Internal ref. 63 94 340



**K2 extension, complete**

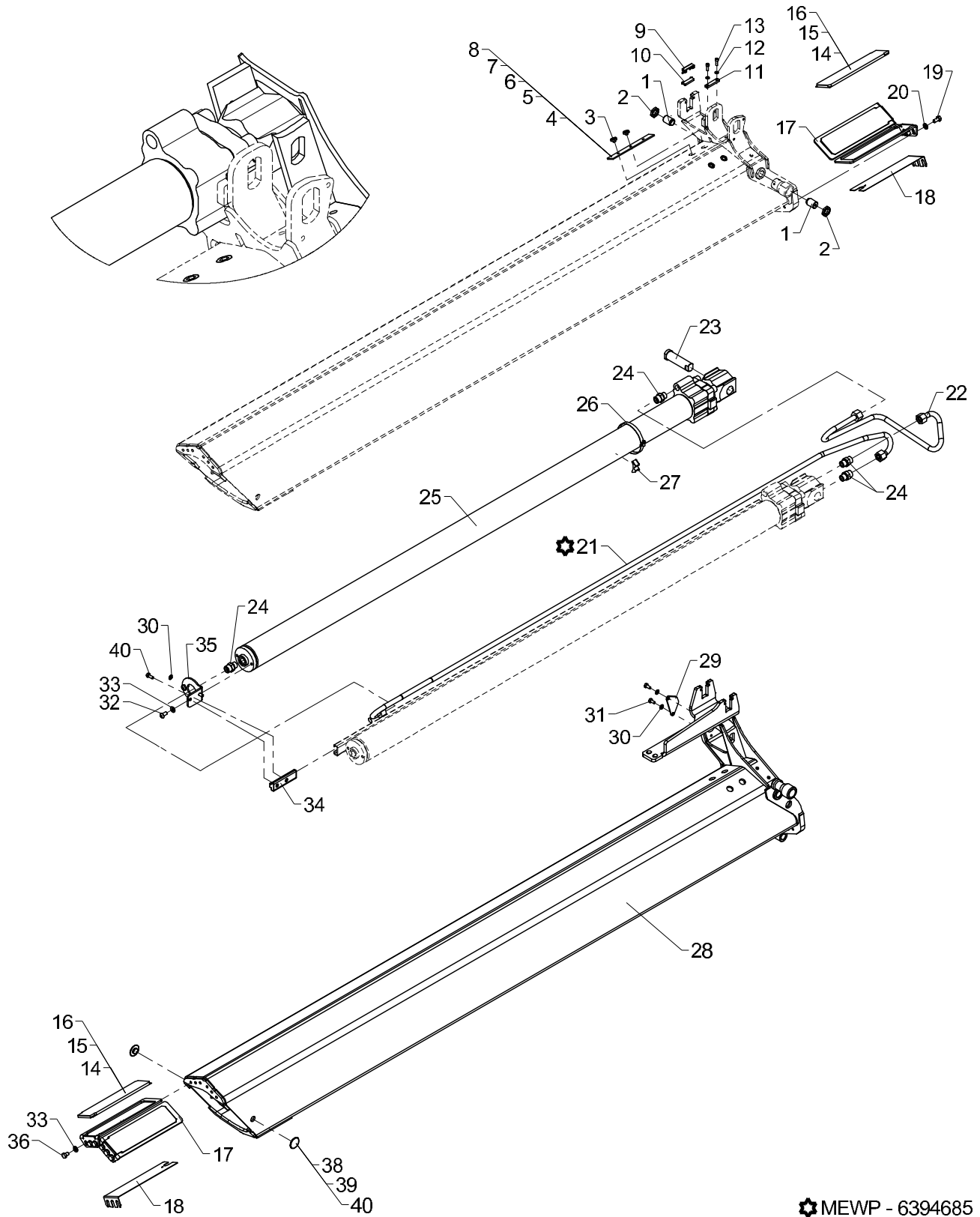
Pos	Qty.	Part no.	Description	Remarks
1	2	6304409	Guide	
2	2	32364	Counter nut	M24 x 2
3	4	31864	Allen screw	M8 x 6
4	2	6360414	Spacer	4 mm
5	2	6294434	Spacer	5 mm
6	2	6193304	Spacer	6 mm
7	2	6235944	Spacer	7 mm
8	2	6193314	Spacer	8 mm
9	1	6394341	Jib II	
10	1	6394346	Jib II	K7, K8
11	1	6394560	Ext. cylinder C80/63x1952	
12	1	6394552	Lock pin C II (Ø30x112)	
13	1	6394643		
14	4	26334	Connection	P-GEV 16 SR-WD
15	1	6394644		
16	2	6340336	Lock plate	
17	4	31538	Screw, stainless	MC6 x 20
18	4	31154	Spring washer, stainless	6 mm
19	1	6390559	End plate	
20	4	31147	Face washer, 8 mm	
21	2	30131	Set screw, stainless	M8 x 16
22	4	6300366	Bracket for slide block	
23	4	6300534	Shim	
24	6	31517	Set screw, stainless	M10 x 20
25	12	31177	Washer	10 mm
26	4	63582	Slide block	8 mm
27	4	63583	Slide block	9 mm
28	4	63584	Slide block	10 mm
29	6	30152	Set screw	M10 x 14
30	1	6394558	Bracket for slide block	
31	1	63689	Slide block with bushing	
32	2	32322	Round-head screw	M8 x 20
33	2	6394631		
34	2	6394632		
35	2	6306312	Guide	



540 03 120

# 32/222 PARTS

Internal ref. 63 94 360



MEWP - 6394685

**K3 extension, complete**

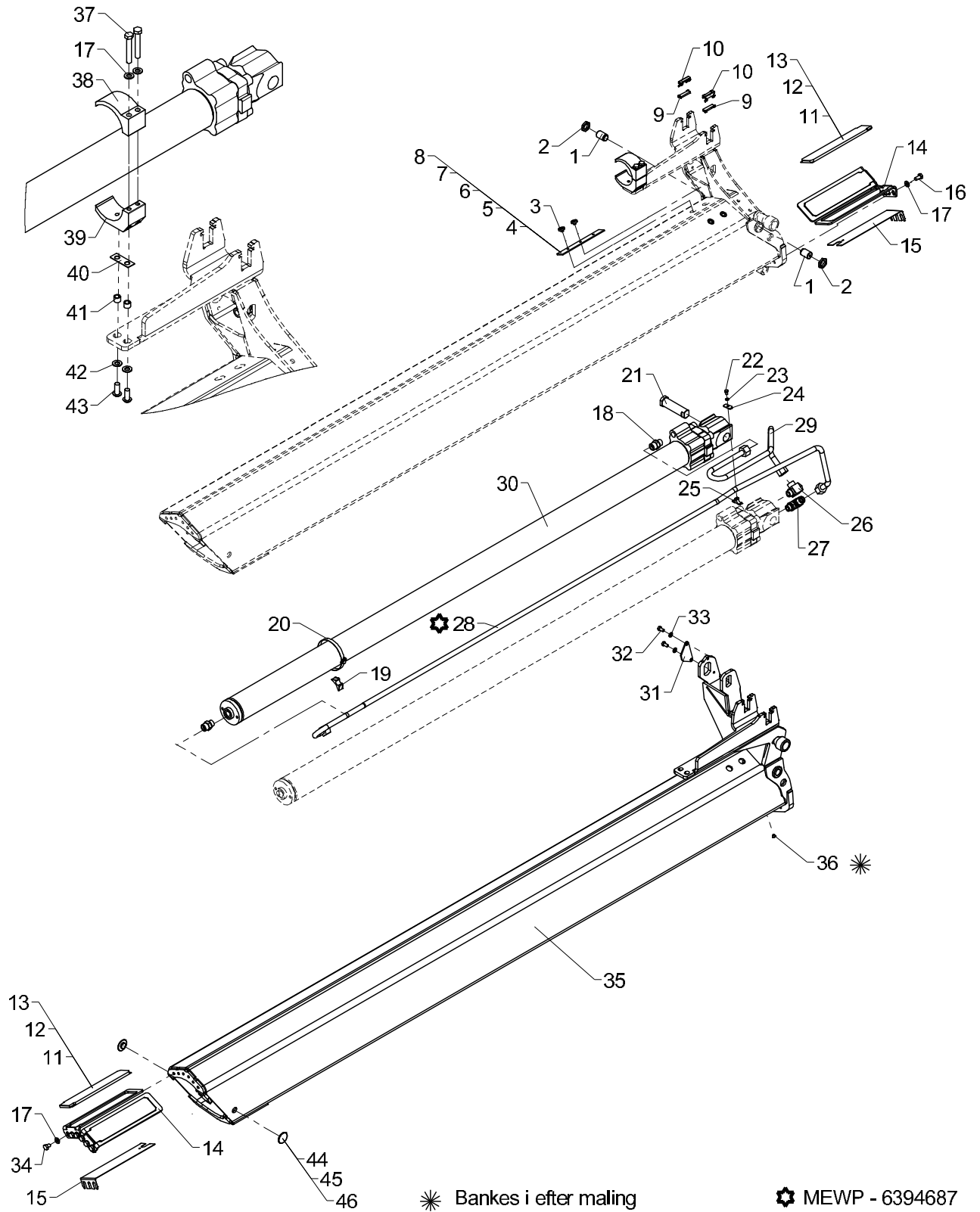
Pos	Qty.	Part no.	Description	Remarks
1	2	6304409	Guide	
2	2	32364	Counter nut	M24 x 2
3	4	31864	Allen screw	M8 x 6
4	2	6360414	Spacer	4 mm
5	2	6294434	Spacer	5 mm
6	2	6193304	Spacer	6 mm
7	2	6235944	Spacer	7 mm
8	2	6193314	Spacer	8 mm
9	1	31933	Clip 12 mm	
10	1	6390567	Lock plate (12 mm)	
11	1	6340336	Lock plate	
12	2	31154	Spring washer, stainless	6 mm
13	2	31538	Screw, stainless	MC6 x 20
14	4	63582	Slide block	8 mm
15	4	63583	Slide block	9 mm
16	4	63584	Slide block	10 mm
17	4	6300366	Bracket for slide block	
18	4	6300534	Shim	
19	6	31517	Set screw, stainless	M10 x 20
20	6	31177	Washer	10 mm
21	1	6394645		
22	1	6394646		
23	1	6394552	Lock pin C II (Ø30x112)	
24	4	26334	Connection	P-GEV 16 SR-WD
25	1	6394570	Ext. cyl. III (C80/60x2048)	
26	1	31407	Clip	
27	1	64409	Clamp	
28	1	6394361	Extension K3	
29	1	6390559	End plate	
30	4	31147	Face washer, 8 mm	
31	2	30131	Set screw, stainless	M8 x 16
32	2	30926	Steel bolt	M10 x 20
33	8	31565	Washer, stainless	10 mm
34	1	63689	Slide block with bushing	
35	1	6394577		
36	6	30152	Set screw	M10 x 14
38	2	6394631		
38	2	6394632		
39	2	6306312	Guide	
40	2	30132	Set screw, stainless	



540 03 130

# 32/222 PARTS

Internal ref. 63 94 380





**K4 extension, complete**

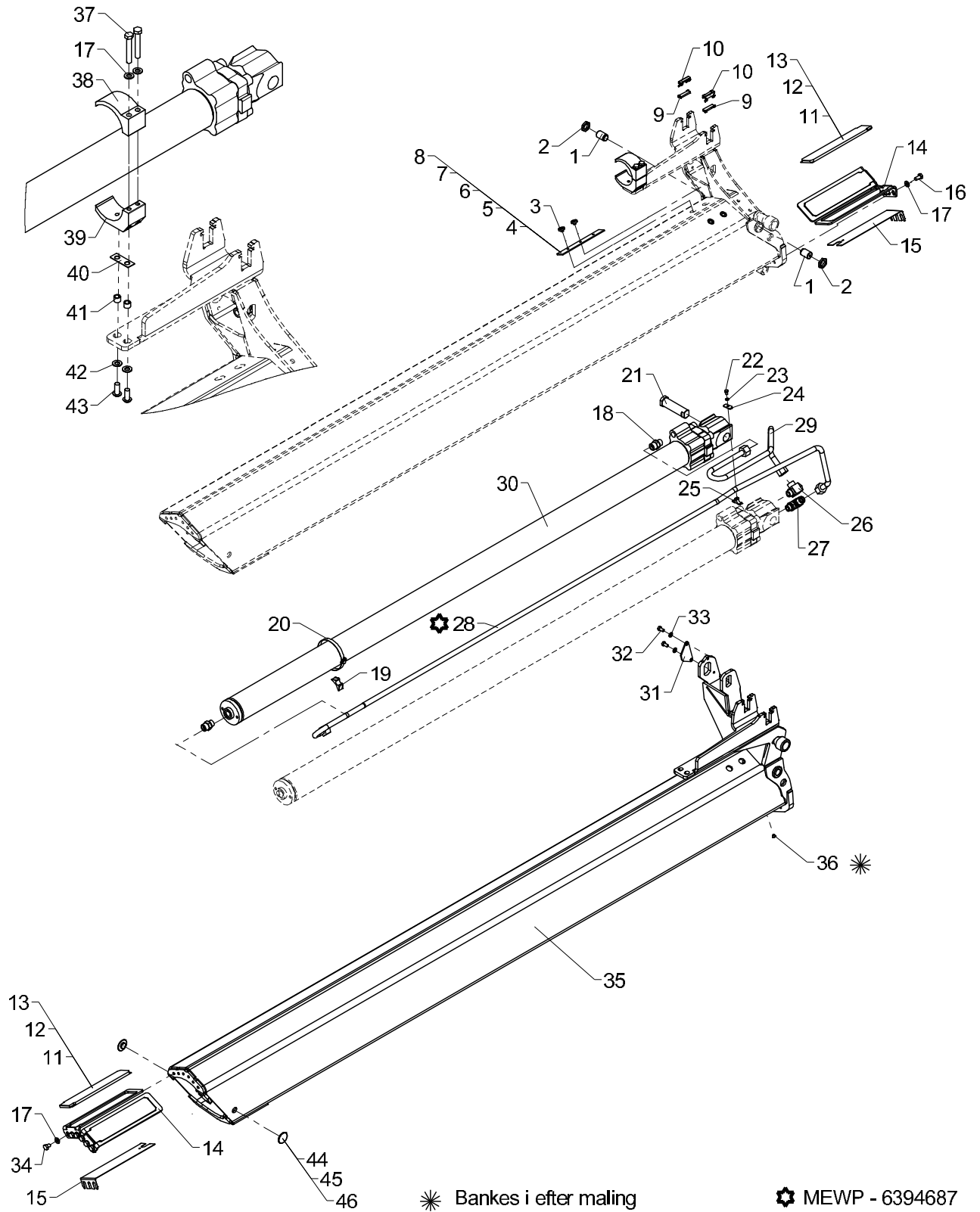
Pos	Qty.	Part no.	Description	Remarks
1	2	6304409	Guide	
2	2	32364	Counter nut	M24 x 2
3	4	31864	Allen screw	M8 x 6
4	2	6360414	Spacer	4 mm
5	2	6294434	Spacer	5 mm
6	2	6193304	Spacer	6 mm
7	2	6235944	Spacer	7 mm
8	2	6193314	Spacer	8 mm
9	2	6340317	Lock plate (10 mm)	
10	2	31920	Clip, stainless, 10mm	
11	4	63585	Slide block	8 mm
12	4	63586	Slide block	9 mm
13	4	63587		10 mm
14	4	6300399	Bracket for slide block	
15	4	6300534	Shim	
16	6	31517	Set screw, stainless	M10 x 20
17	14	31565	Washer, stainless	10 mm
18	2	26334	Connection	P-GEV 16 SR-WD
19	1	64409	Clamp	
20	1	31407	Clip	
21	1	6394552	Lock pin C II (Ø30x112)	
22	1	30110	Set screw, stainless	M6 x 10
23	1	31154	Spring washer, stainless	6 mm
24	1	6390658	Plate (C4)	
25	1	6390399	Clamp	
26	1	26344	Banjo connection	RSWV 16 SR
27	1	26893	Elbow connection	16 mm - 1/2"
28	1	6394647		
29	1	6394648		
30	1	6394580	Ext. cylinder IV (C80/60x2084)	
31	1	6390559	End plate	
32	2	30131	Set screw, stainless	M8 x 16
33	2	31147	Face washer, 8 mm	
34	6	30152	Set screw	M10 x 14
35	1	6394381	Extension IV, K4	
36	2	64366	Plug	
37	2	32303	Set screw	M10 x 65
38	1	6394617		
39	1	6394587	Cylinder bracket, ø90	
40	1	6340527	Shim	
41	2	6302369	Spacer	



540 03 130

# 32/222 PARTS

Internal ref. 63 94 380



\* Bankes i efter maling

⚙ MEWP - 6394687

**540 03 130**

From loader 1130001

To loader

## K4 extension, complete

Created 25-04-2012

Modified 20-02-2013

---

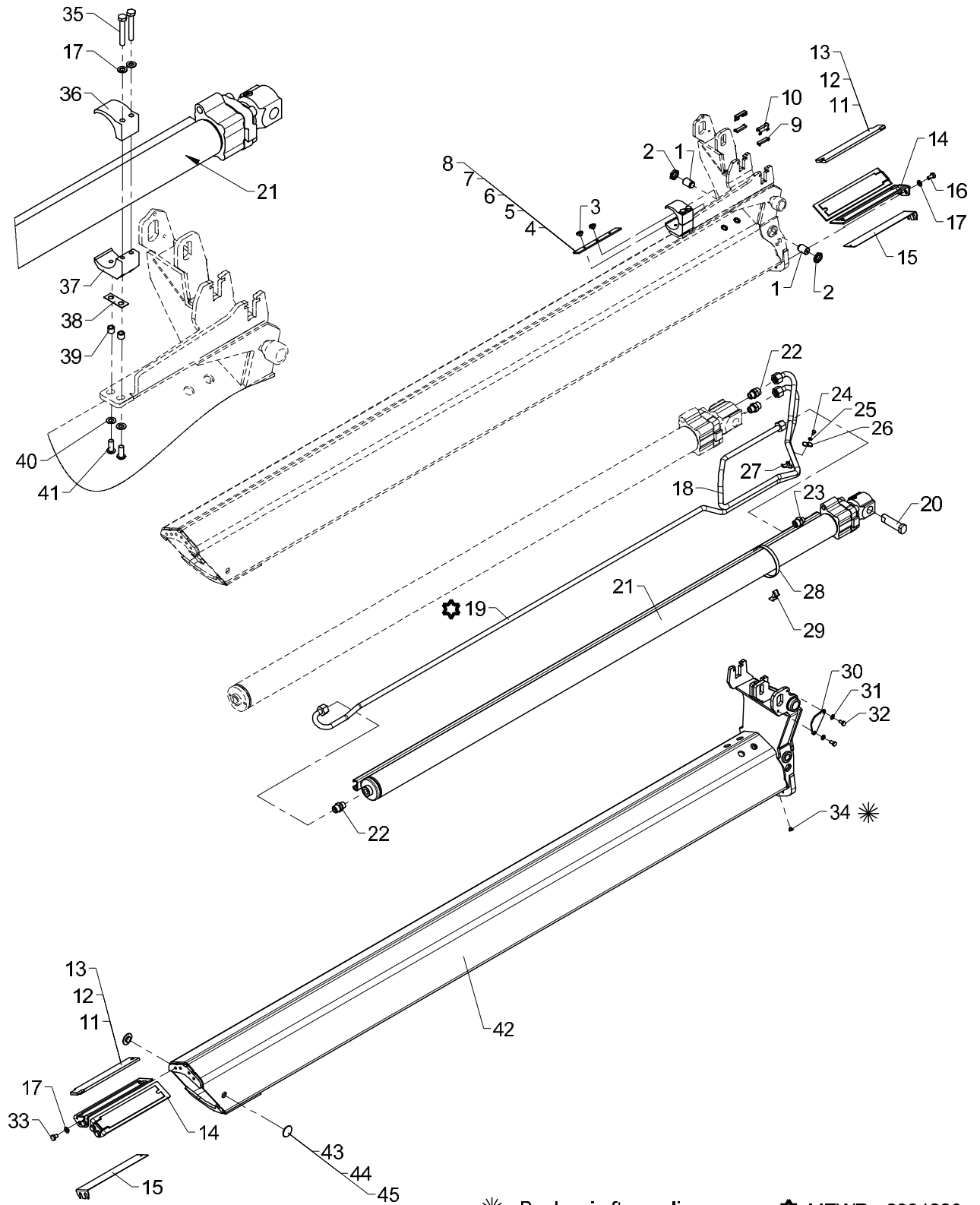
Pos	Qty.	Part no.	Description	Remarks
42	2	31177	Washer	10 mm
43	2	30652	Screw	M10 x 25
44	2	6394631		
45	2	6394632		
46	2	6306312	Guide	



540 03 140

# 32/222 PARTS

Internal ref. 63 94 420



\* Bankes i efter maling

MEWP - 6394689

**K5 extension, complete**

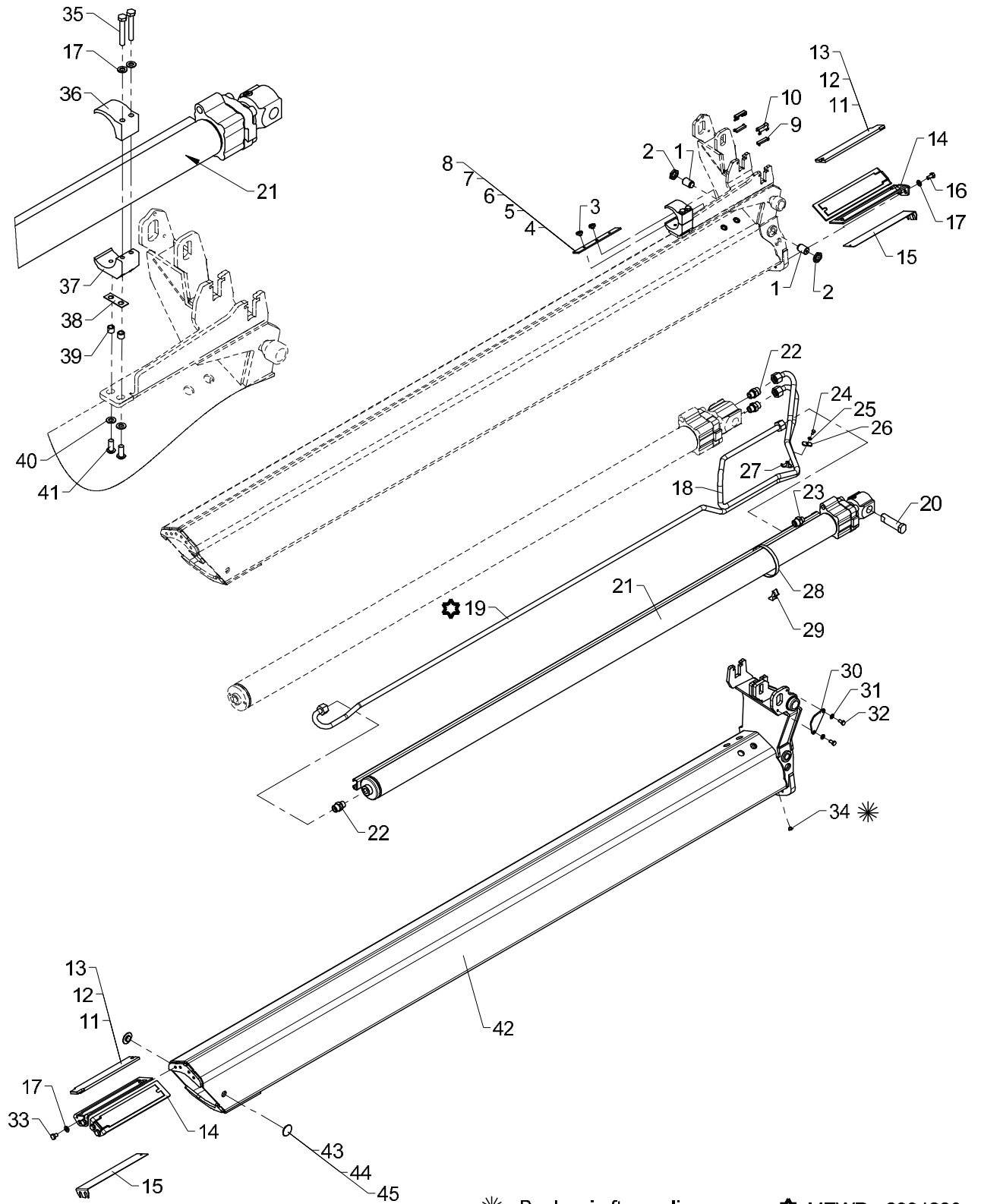
Pos	Qty.	Part no.	Description	Remarks
1	2	6304409	Guide	
2	2	32364	Counter nut	M24 x 2
3	4	31864	Allen screw	M8 x 6
4	2	6360414	Spacer	4 mm
5	2	6294434	Spacer	5 mm
6	2	6193304	Spacer	6 mm
7	2	6235944	Spacer	7 mm
8	2	6193314	Spacer	8 mm
9	2	6340317	Lock plate (10 mm)	
10	2	31920	Clip, stainless, 10mm	
11	4	63588	Slide block	8 mm
12	4	63589	Slide block	9 mm
13	4	63590	Slide block	10 mm
14	4	6300368	Bracket for slide block	
15	4	6300568	Shim	
16	4	31517	Set screw, stainless	M10 x 20
17	10	31565	Washer, stainless	10 mm
18	1	6394651		
19	1	6394649		
20	1	6394553		
21	1	6394590		
22	3	26334	Connection	P-GEV 16 SR-WD
23	1	26368	Straight connection	P-GEV 16 SR 3/8-WD
24	1	30110	Set screw, stainless	M6 x 10
25	1	31154	Spring washer, stainless	6 mm
26	1	6390658	Plate (C4)	
27	1	6390399	Clamp	
28	1	31407	Clip	
29	1	64409	Clamp	
30	1	6390559	End plate	
31	2	31147	Face washer, 8 mm	
32	2	30131	Set screw, stainless	M8 x 16
33	4	30152	Set screw	M10 x 14
34	2	64366	Plug	
35	2	32303	Set screw	M10 x 65
36	1	6394618		
37	1	6394588		
38	1	6340527	Shim	
39	2	6302369	Spacer	
40	2	31177	Washer	10 mm
41	2	30652	Screw	M10 x 25



540 03 140

# 32/222 PARTS

Internal ref. 63 94 420



\* Bankes i efter maling

MEWP - 6394689

**540 03 140**

From loader 1130001

To loader

Created 25-04-2012

Modified 20-02-2013

## K5 extension, complete

---

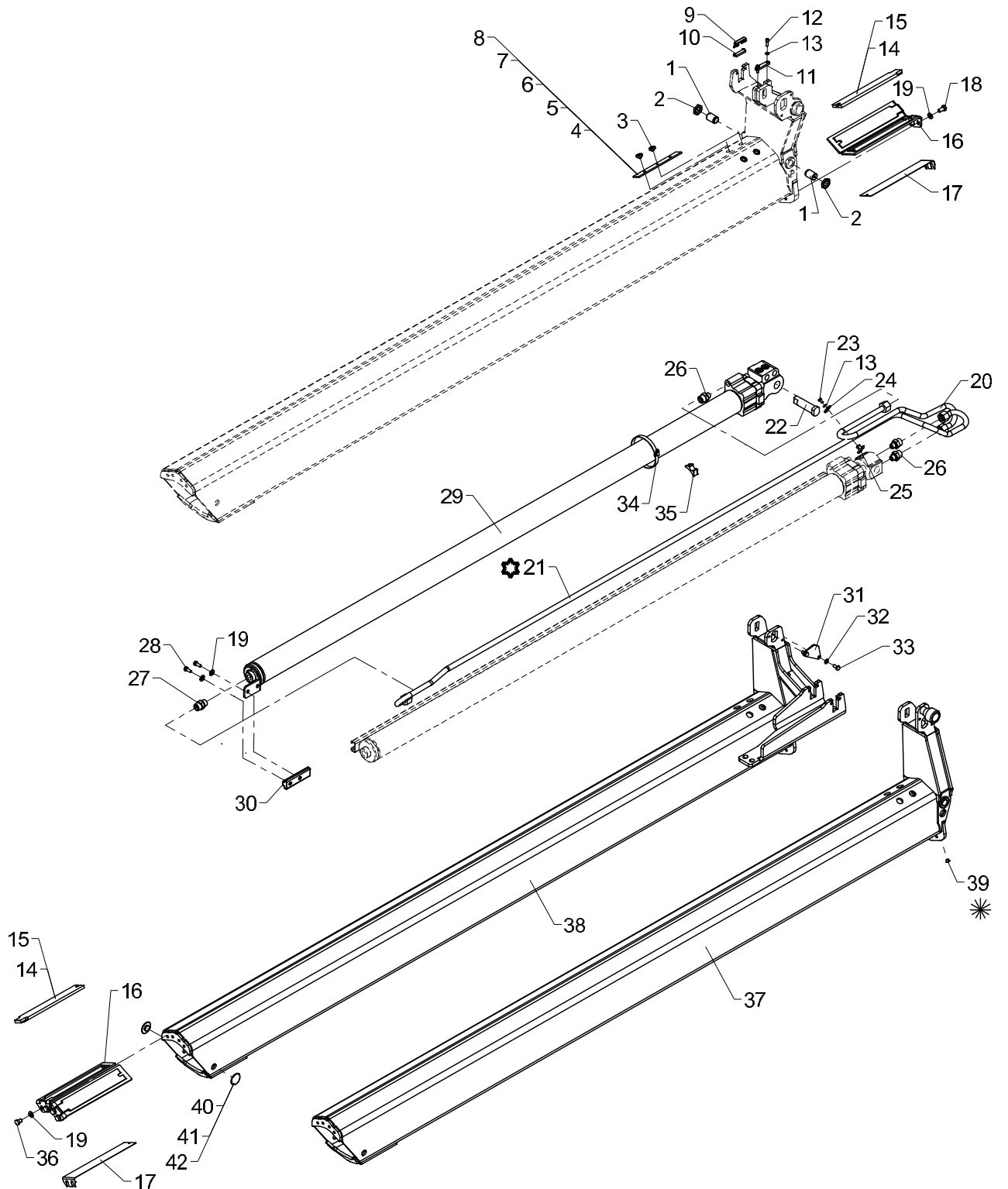
Pos	Qty.	Part no.	Description	Remarks
42	1	6394421		
43	2	6394631		
44	2	6394632		
45	2	6306312	Guide	



540 03 150

# 32/222 PARTS

Internal ref. 63 94 440



\* Banks i efter maling \* MEWP - 6394692



**K6 extension, complete**

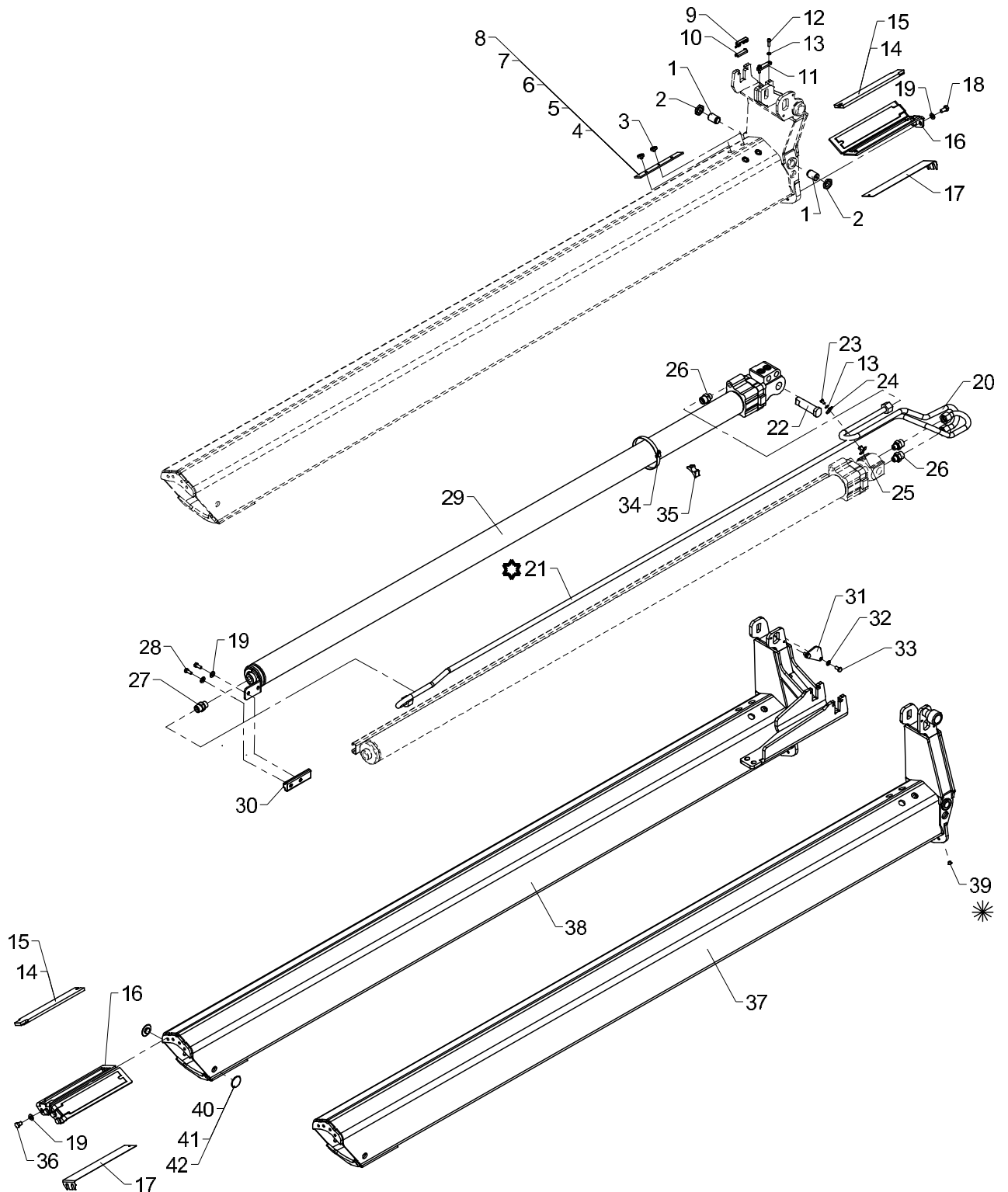
Pos	Qty.	Part no.	Description	Remarks
1	2	6304409	Guide	
2	2	32364	Counter nut	M24 x 2
3	4	31864	Allen screw	M8 x 6
4	2	6360414	Spacer	4 mm
5	2	6294434	Spacer	5 mm
6	2	6193304	Spacer	6 mm
7	2	6235944	Spacer	7 mm
8	2	6193314	Spacer	8 mm
9	1	31920	Clip, stainless, 10mm	
10	1	6340317	Lock plate (10 mm)	
11	1	6340336	Lock plate	
12	2	31538	Screw, stainless	MC6 x 20
13	3	31154	Spring washer, stainless	6 mm
14	4	63527	Slide block	9 mm
15	4	63528	Slide block	8 mm
16	4	6300443	Bracket for slide block	
17	4	6300568	Shim	
18	4	31517	Set screw, stainless	M10 x 20
19	10	31565	Washer, stainless	10 mm
20	1	6394653		
21	1	6394652		
22	1	6394553		
23	1	30110	Set screw, stainless	M6 x 10
24	1	6390658	Plate (C4)	
25	1	6390399	Clamp	
26	3	26368	Straight connection	P-GEV 16 SR 3/8-WD
27	1	26334	Connection	P-GEV 16 SR-WD
28	2	30132	Set screw, stainless	
29	1	6394600		
30	1	63689	Slide block with bushing	
31	1	6390559	End plate	
32	2	31147	Face washer, 8 mm	
33	2	30131	Set screw, stainless	M8 x 16
34	1	31407	Clip	
35	1	64409	Clamp	
36	4	30152	Set screw	M10 x 14
37	1	6394441		
38	1	6394451		
39	2	64366	Plug	
40	2	6394631		
41	2	6394632		



540 03 150

# 32/222 PARTS

Internal ref. 63 94 440



\* Banks i efter maling    \* MEWP - 6394692

**540 03 150**

From loader 1130001

To loader

Created 18-01-2013

Modified 20-02-2013

## K6 extension, complete

---

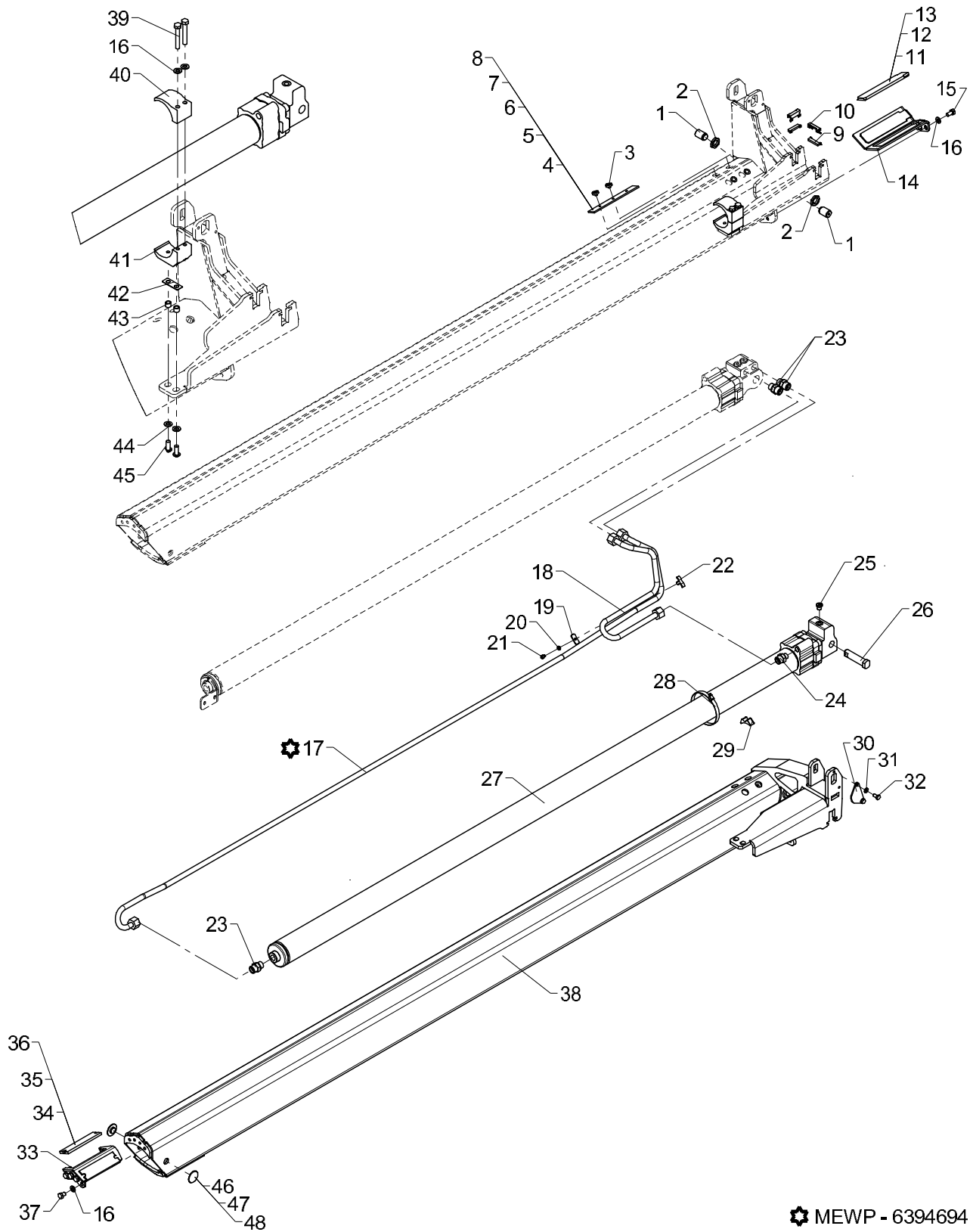
Pos	Qty.	Part no.	Description	Remarks
42	2	6306312	Guide	



540 03 160

# 32/222 PARTS

Internal ref. 63 94 460



MEWP - 6394694

**K7 extension, complete**

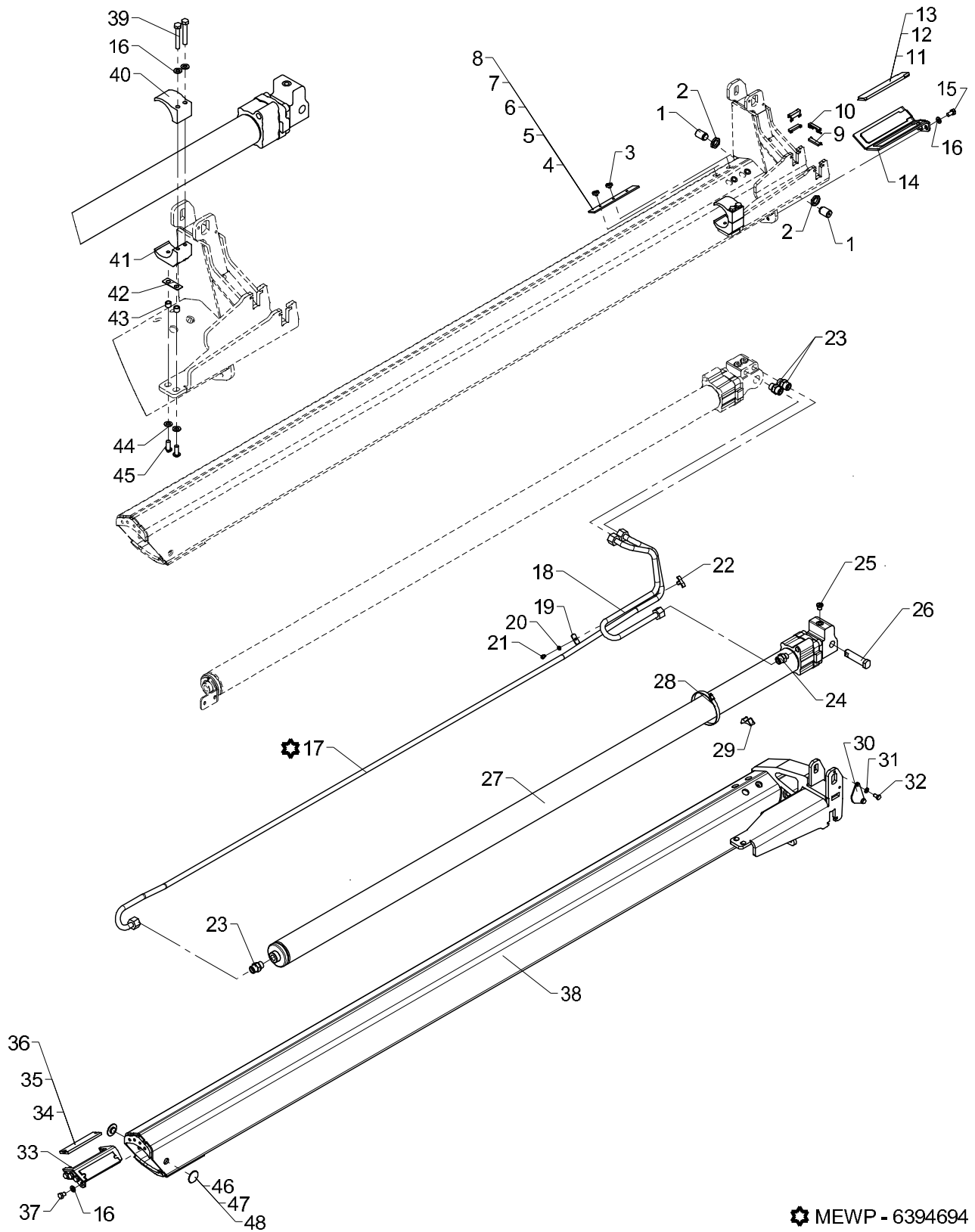
Pos	Qty.	Part no.	Description	Remarks
1	2	6304409	Guide	
2	2	32364	Counter nut	M24 x 2
3	4	31864	Allen screw	M8 x 6
4	2	6360414	Spacer	4 mm
5	2	6294434	Spacer	5 mm
6	2	6193304	Spacer	6 mm
7	2	6235944	Spacer	7 mm
8	2	6193314	Spacer	8 mm
9	2	6340317	Lock plate (10 mm)	
10	2	31920	Clip, stainless, 10mm	
11	2	63518	Slide block	8 mm
12	2	63762	Slide block	9 mm
13	2	63593	Slide block	10 mm
14	2	6340441	Bracket for slide block	
15	4	31517	Set screw, stainless	M10 x 20
16	10	31565	Washer, stainless	10 mm
17	1	6394654		
18	1	6394655		
19	1	6390658	Plate (C4)	
20	1	31154	Spring washer, stainless	6 mm
21	1	30110	Set screw, stainless	M6 x 10
22	1	6390399	Clamp	
23	3	26334	Connection	P-GEV 16 SR-WD
24	1	26368	Straight connection	P-GEV 16 SR 3/8-WD
25	1	25197	Plug	VS-R-1/4 WD
26	1	6365525		
27	1	6394610		
28	1	31407	Clip	
29	1	64409	Clamp	
30	1	6390559	End plate	
31	2	31147	Face washer, 8 mm	
32	2	30131	Set screw, stainless	M8 x 16
33	1	6340445	Bracket for slide block	
34	2	63573	Slide block	8 mm
35	2	63574	Slide block	9 mm
36	2	63575	Side block	10 mm
37	4	30152	Set screw	M10 x 14
38	1	6394461		
39	2	32303	Set screw	M10 x 65
40	1	6394618		
41	1	6394588		



540 03 160

# 32/222 PARTS

Internal ref. 63 94 460



MEWP - 6394694

**540 03 160**

From loader 1130001

To loader

## K7 extension, complete

Created 18-01-2013

Modified 20-02-2013

---

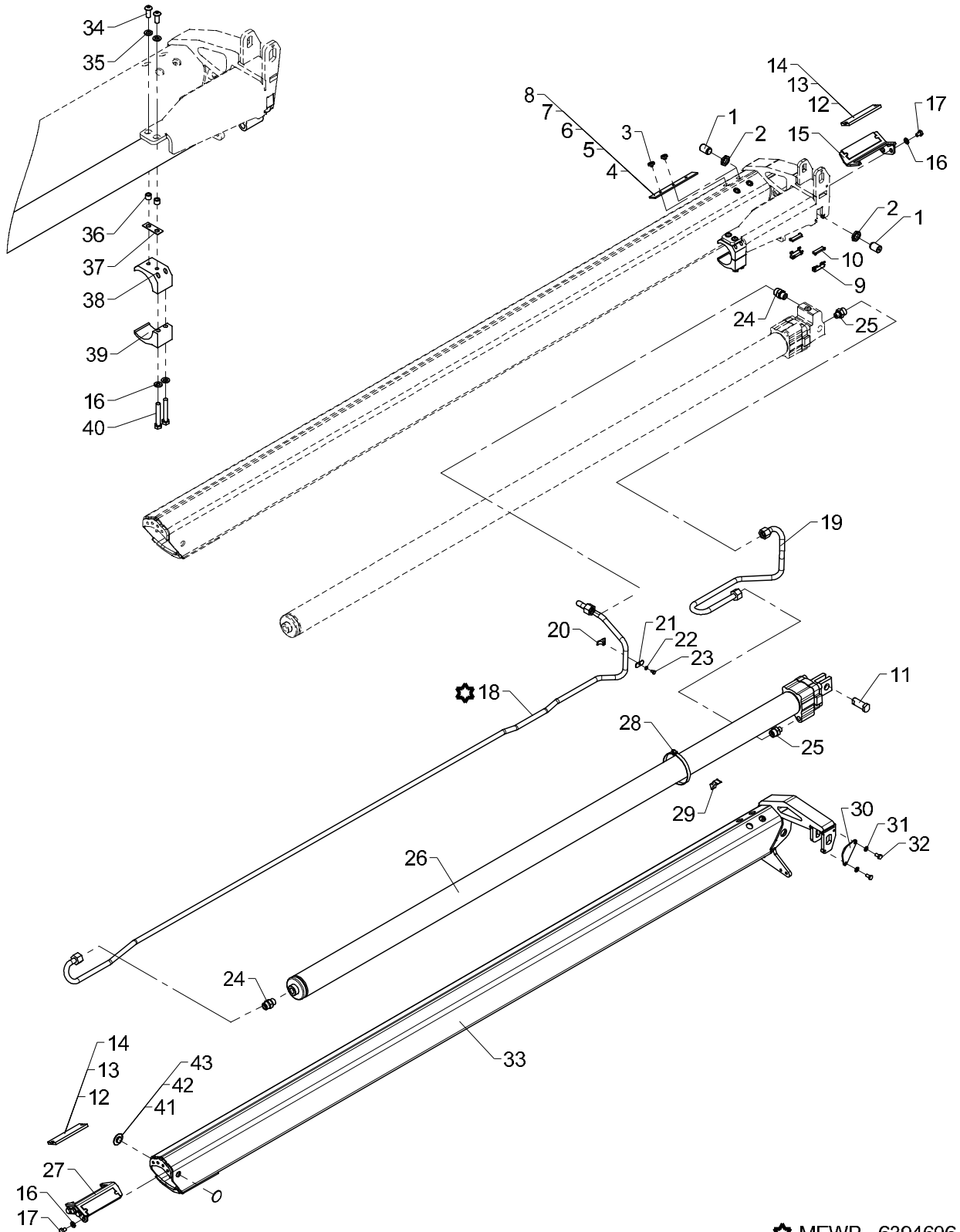
Pos	Qty.	Part no.	Description	Remarks
42	1	6340527	Shim	
43	2	6302369	Spacer	
44	2	31177	Washer	10 mm
45	2	30652	Screw	M10 x 25
46	2	6394631		
47	2	6394632		
48	2	6306312	Guide	



540 03 170

# 32/222 PARTS

Internal ref. 63 94 480



MEWP - 6394696



540 03 170

From loader 1130001

To loader

**K8 extension, complete**

Created 25-04-2012

Modified 20-02-2013

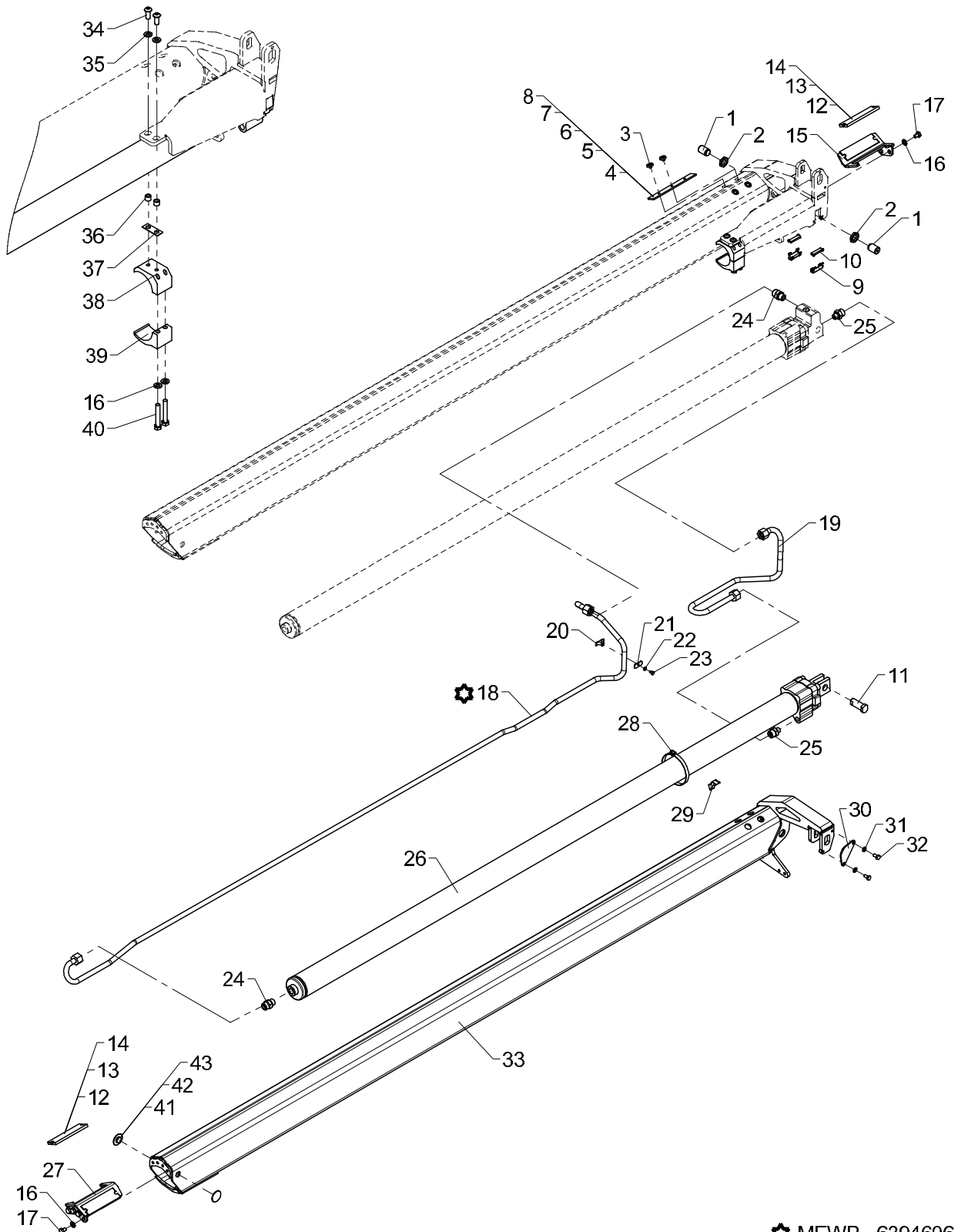
Pos	Qty.	Part no.	Description	Remarks
1	2	6304409	Guide	
2	2	32364	Counter nut	M24 x 2
3	4	31864	Allen screw	M8 x 6
4	2	6360414	Spacer	4 mm
5	2	6294434	Spacer	5 mm
6	2	6193304	Spacer	6 mm
7	2	6235944	Spacer	7 mm
8	2	6193314	Spacer	8 mm
9	2	31920	Clip, stainless, 10mm	
10	2	6340317	Lock plate (10 mm)	
11	1	6394554		
12	4	63573	Slide block	8 mm
13	4	63574	Slide block	9 mm
14	4	63575	Side block	10 mm
15	1	6340442	Bracket for slide block	
16	9	31565	Washer, stainless	10 mm
17	7	30152	Set screw	M10 x 14
18	1	6394656		
19	1	6394657		
20	1	6390399	Clamp	
21	1	6390658	Plate (C4)	
22	1	31154	Spring washer, stainless	6 mm
23	1	30110	Set screw, stainless	M6 x 10
24	2	26334	Connection	P-GEV 16 SR-WD
25	2	26368	Straight connection	P-GEV 16 SR 3/8-WD
26	1	6394620		
27	1	6340445	Bracket for slide block	
28	1	31407	Clip	
29	1	64409	Clamp	
30	1	6390559	End plate	
31	2	31147	Face washer, 8 mm	
32	2	30131	Set screw, stainless	M8 x 16
33	1	6394481		
34	2	30652	Screw	M10 x 25
35	2	31177	Washer	10 mm
36	2	6302369	Spacer	
37	1	6340527	Shim	
38	1	6394588		
39	1	6394618		
40	2	32303	Set screw	M10 x 65
41	2	6394631		



540 03 170

# 32/222 PARTS

Internal ref. 63 94 480



MEWP - 6394696

**540 03 170**

From loader 1130001

To loader

Created 25-04-2012

Modified 20-02-2013

## K8 extension, complete

---

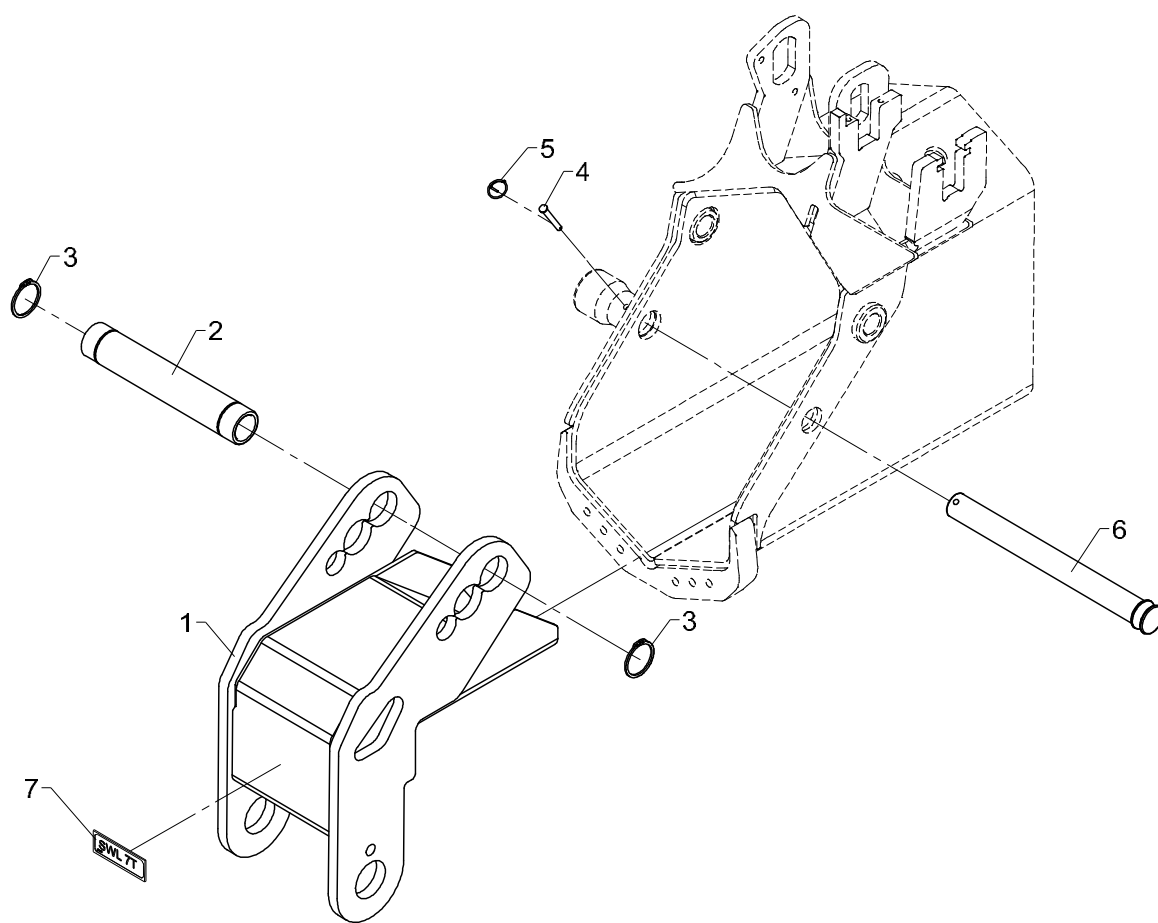
Pos	Qty.	Part no.	Description	Remarks
42	2	6394632		
43	2	6306312	Guide	



540 03 200

### 32/222 PARTS

Internal ref. 63 94 350



**540 03 200**

From loader 1130001

To loader

Created 20-03-2013

Modified

## Separate hook suspension, K2

---

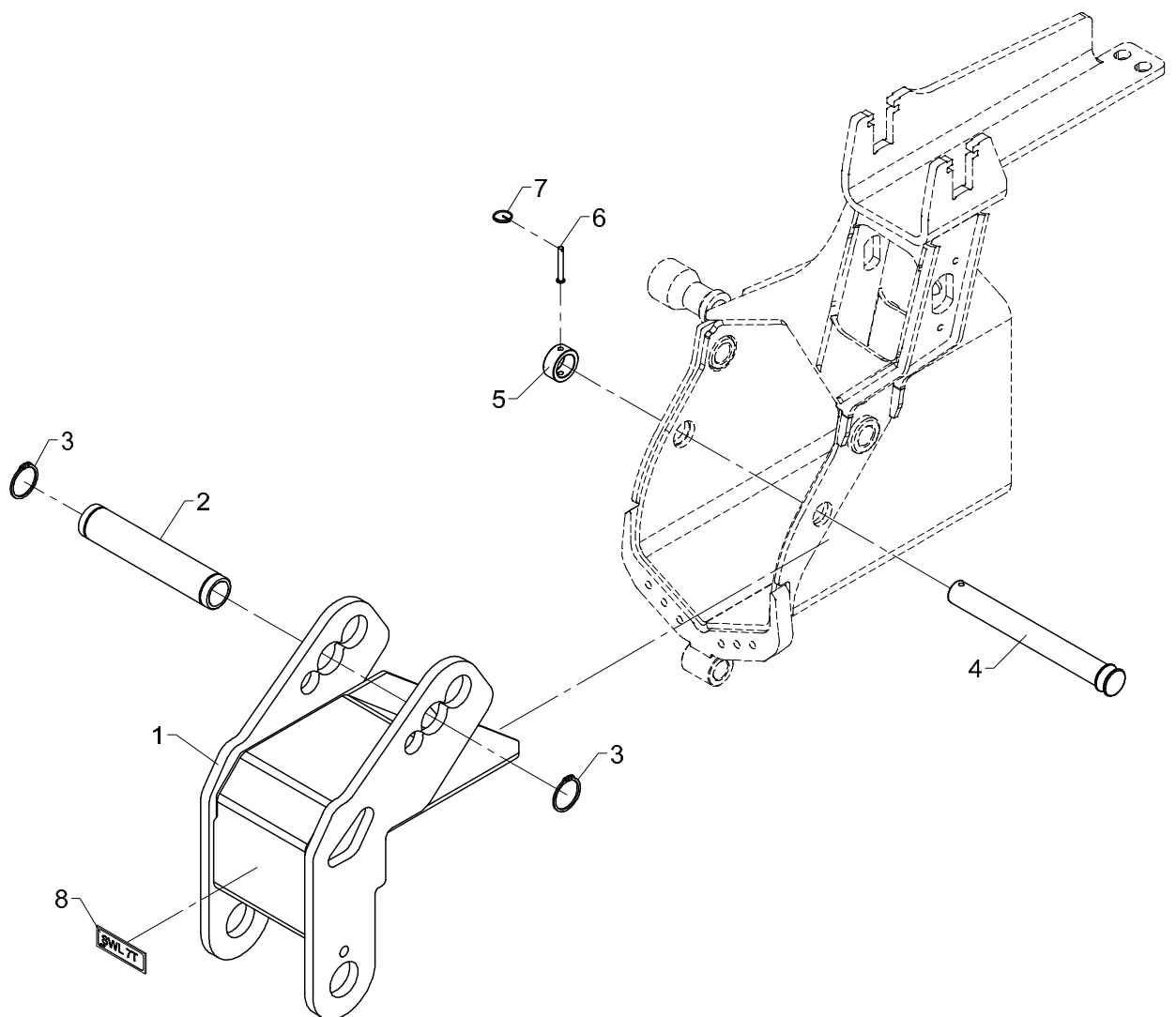
Pos	Qty.	Part no.	Description	Remarks
1	1	6394372		
2	1	6394355		
3	2	33119	Circlip	36U
4	1	31280	Cotter bolt	ø5 x 40
5	1	33458	Lock ring	
6	1	6394377		
7	1	66917		



540 03 210

### 32/222 PARTS

Internal ref. 63 94 370



**540 03 210**

From loader 1130001

To loader

Created 20-03-2013

Modified

## Separate hook suspension, K3

---

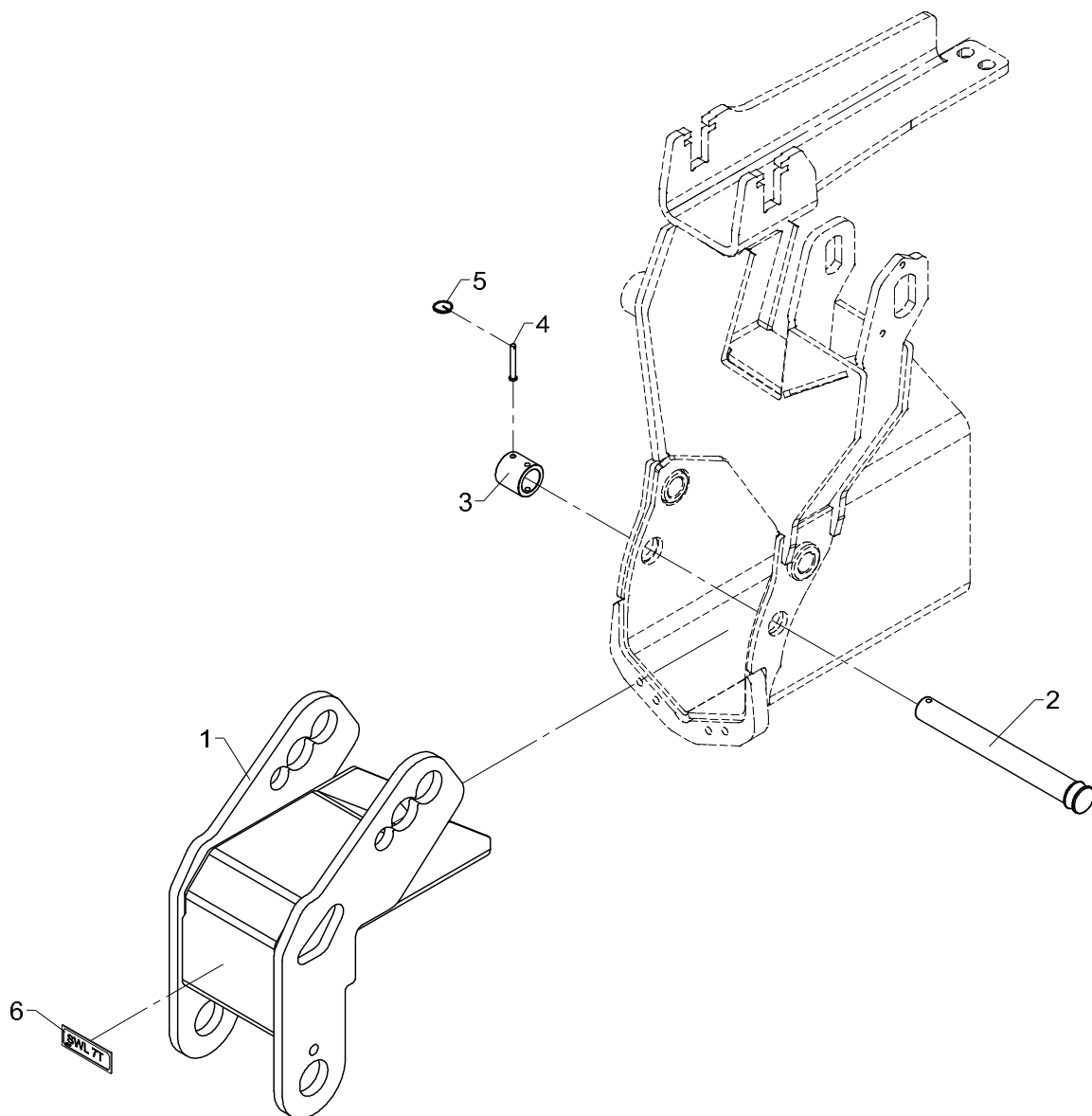
Pos	Qty.	Part no.	Description	Remarks
1	1	6394372		
2	1	6394374		
3	2	33119	Circlip	36U
4	1	6394376		
5	1	6390494	Washer, short	
6	1	31280	Cotter bolt	ø5 x 40
7	1	33458	Lock ring	
8	1	66917		



540 03 220

# 32/222 PARTS

Internal ref. 63 94 390





**540 03 220**

From loader 1130001

To loader

Created 20-03-2013

Modified

## Separate hook suspension, K4

---

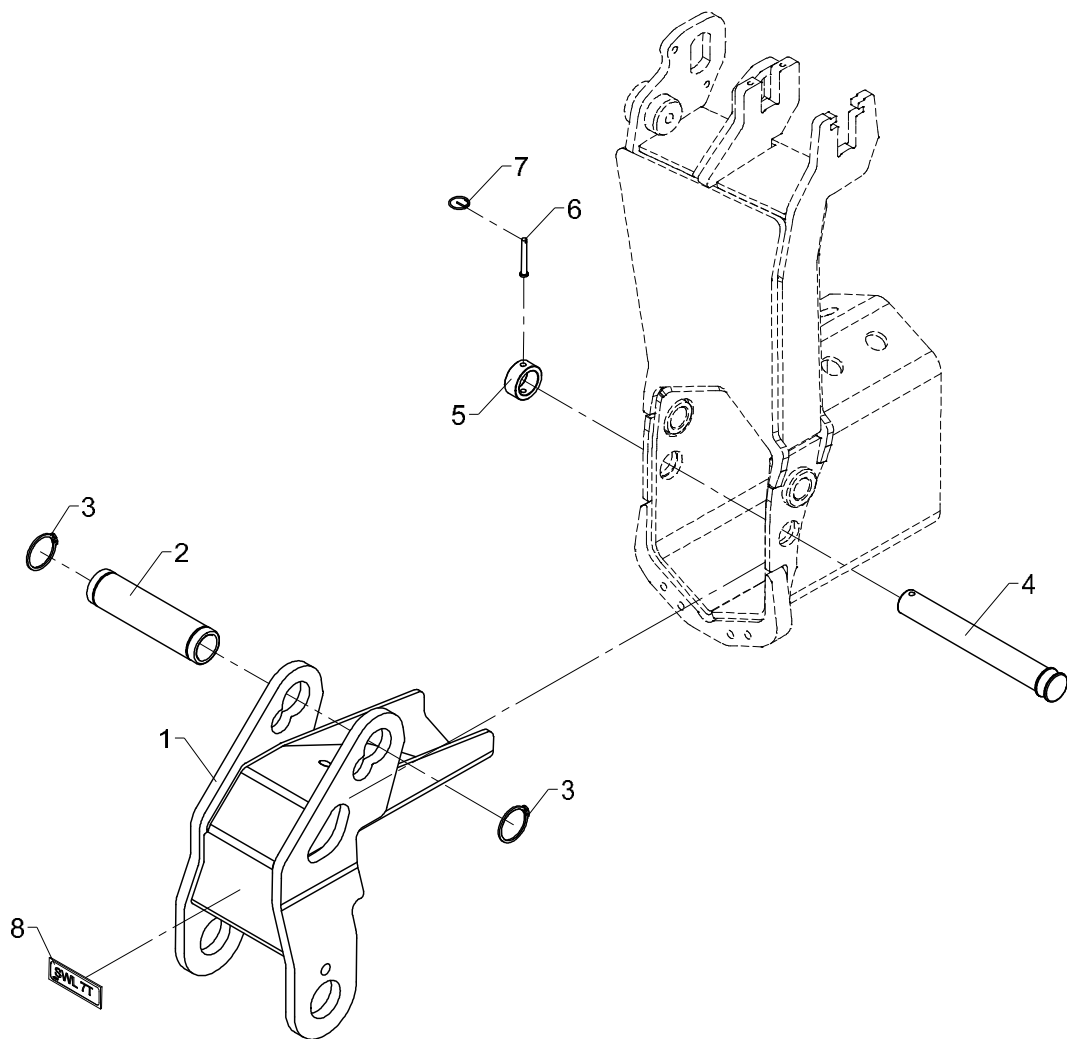
Pos	Qty.	Part no.	Description	Remarks
1	1	6394372		
2	1	6394376		
3	1	6390495	Washer, long	
4	1	31280	Cotter bolt	ø5 x 40
5	1	33458	Lock ring	
6	1	66917		



540 03 230

### 32/222 PARTS

Internal ref. 63 94 430



**540 03 230**

From loader 1130001

To loader

Created 20-03-2013

Modified

## Separate hook suspension, K5

---

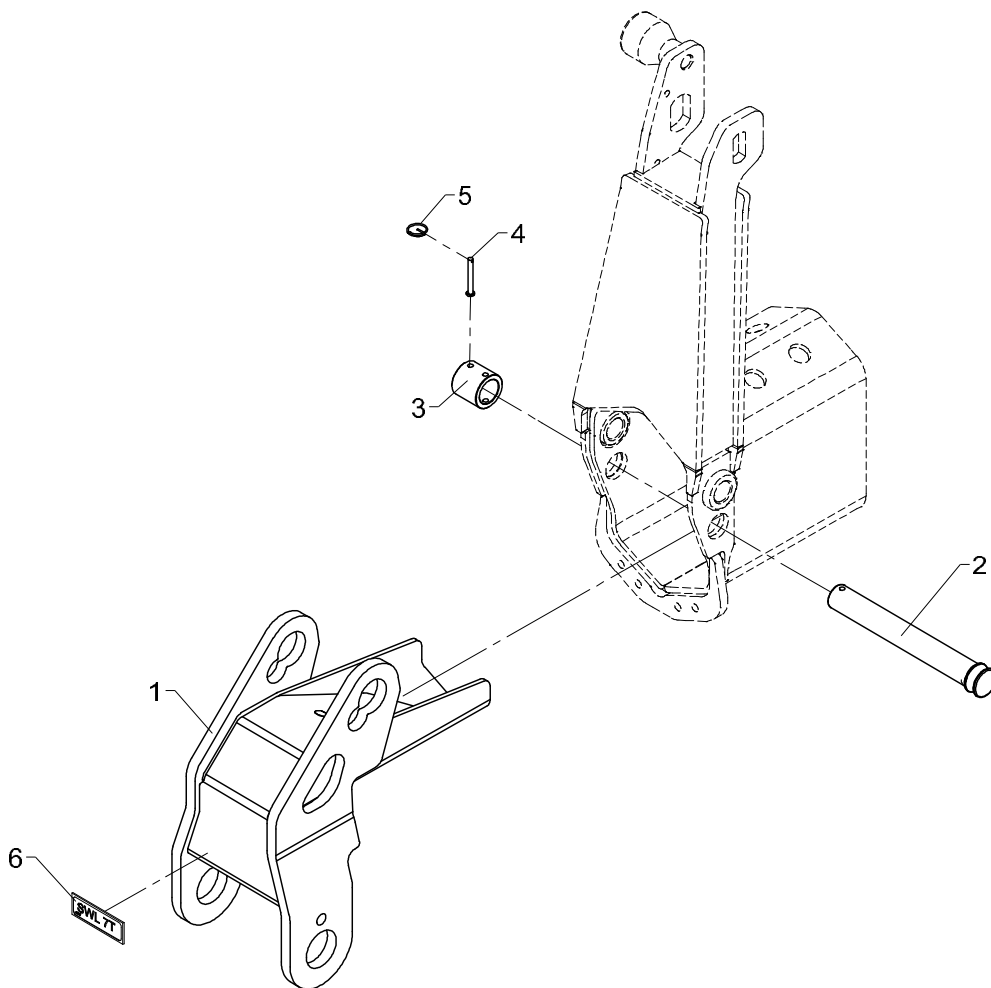
Pos	Qty.	Part no.	Description	Remarks
1	1	6394434	Hook suspension, K5-K6	
2	1	6394439		
3	2	33119	Circlip	36U
4	1	6394459		
5	1	6390494	Washer, short	
6	1	31280	Cotter bolt	ø5 x 40
7	1	33458	Lock ring	
8	1	66917		



540 03 240

### 32/222 PARTS

Internal ref. 63 94 450



**540 03 240**

From loader 1130001

To loader

Created 20-03-2013

Modified

## Separate hook suspension, K6

---

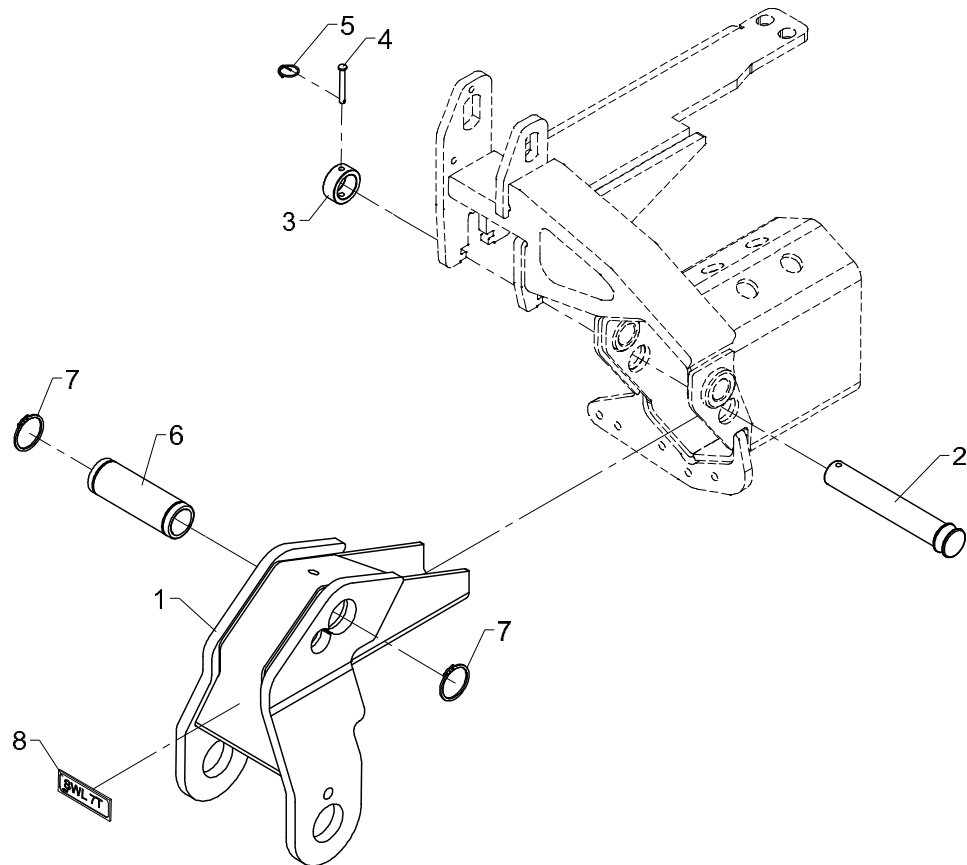
Pos	Qty.	Part no.	Description	Remarks
1	1	6394434	Hook suspension, K5-K6	
2	1	6394459		
3	1	6390495	Washer, long	
4	1	31280	Cotter bolt	ø5 x 40
5	1	33458	Lock ring	
6	1	66917		



540 03 250

### 32/222 PARTS

Internal ref. 63 94 470



**540 03 250**

From loader 1130001

To loader

Created 20-03-2013

Modified

## Separate hook suspension, K7

---

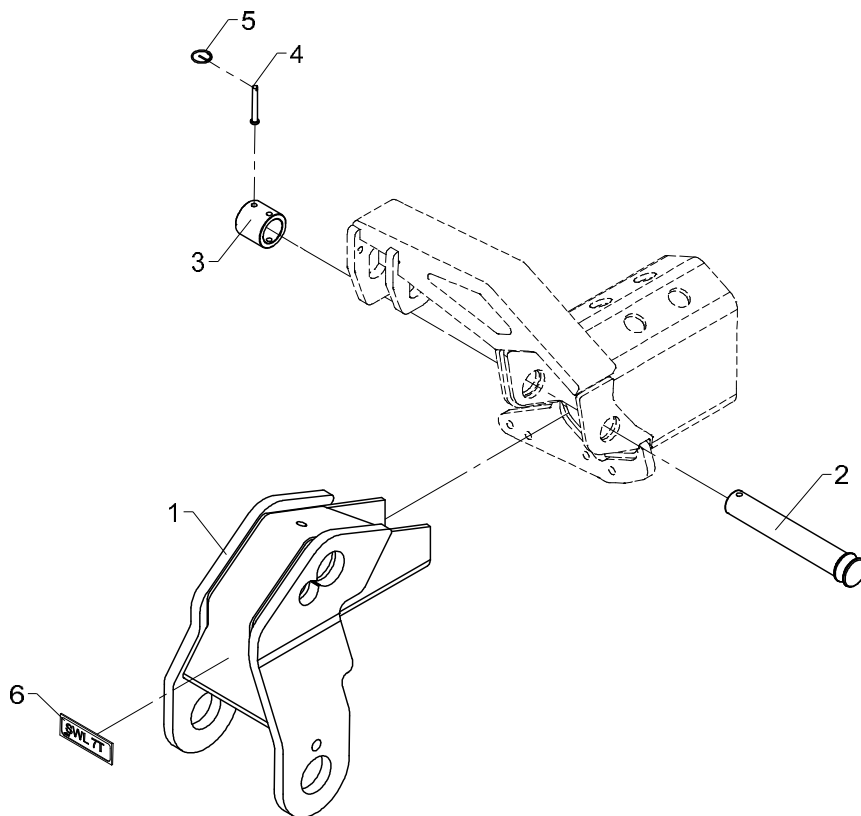
Pos	Qty.	Part no.	Description	Remarks
1	1	6394472		
2	1	6394479		
3	1	6390494	Washer, short	
4	1	31280	Cotter bolt	ø5 x 40
5	1	33458	Lock ring	
6	1	6394477		
7	2	33119	Circlip	36U
8	1	66917		



540 03 260

### 32/222 PARTS

Internal ref. 63 94 490





**540 03 260**

From loader 1130001

To loader

Created 20-03-2013

Modified

## Separate hook suspension, K8

---

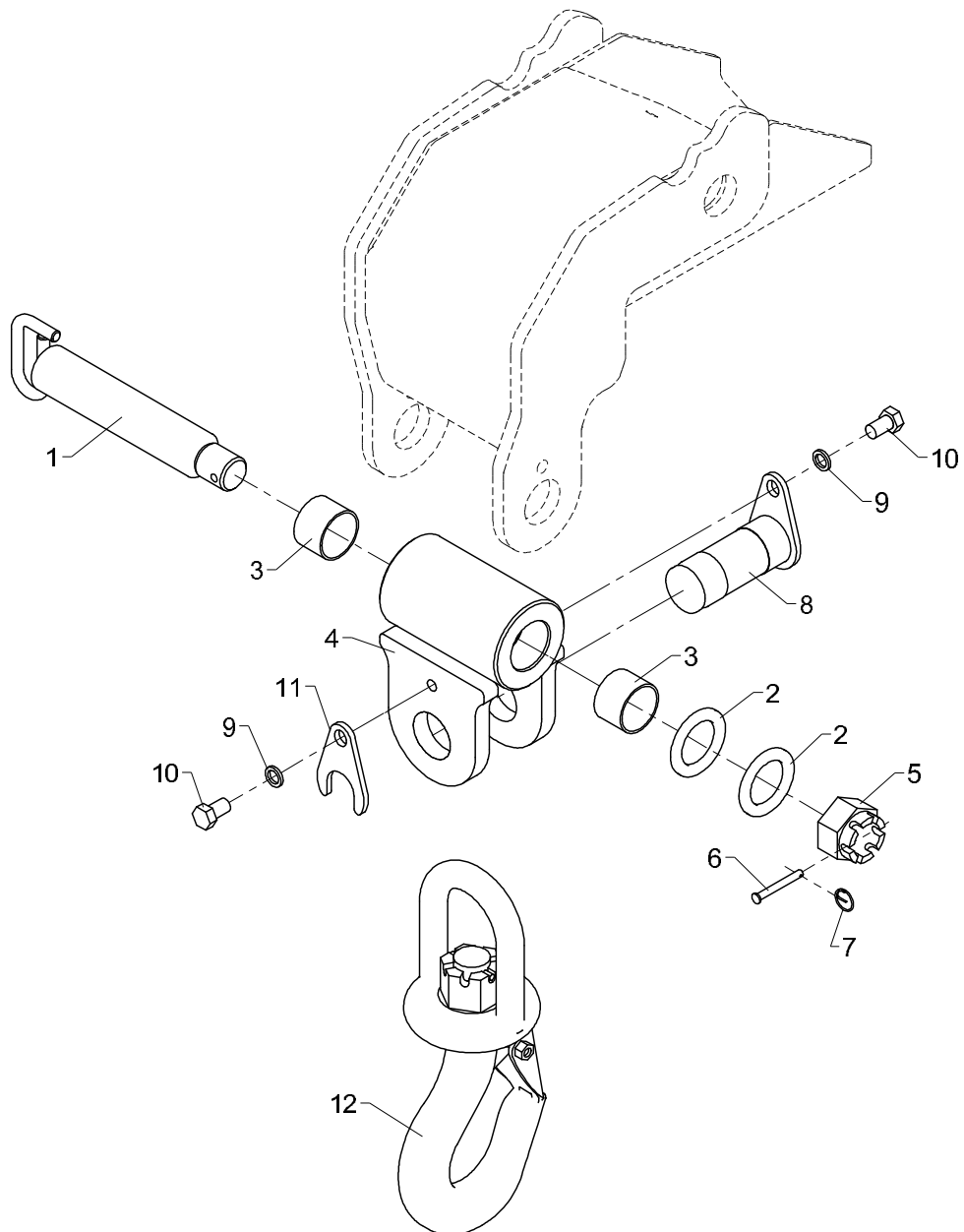
Pos	Qty.	Part no.	Description	Remarks
1	1	6394472		
2	1	6394479		
3	1	6390495	Washer, long	
4	1	31280	Cotter bolt	ø5 x 40
5	1	33458	Lock ring	
6	1	66917		



540 03 290

### 32/222 PARTS

Internal ref. 63 94 330



**540 03 290**

From loader 1130001

To loader

Created 07-03-2013

Modified

## Hook suspension incl. hook

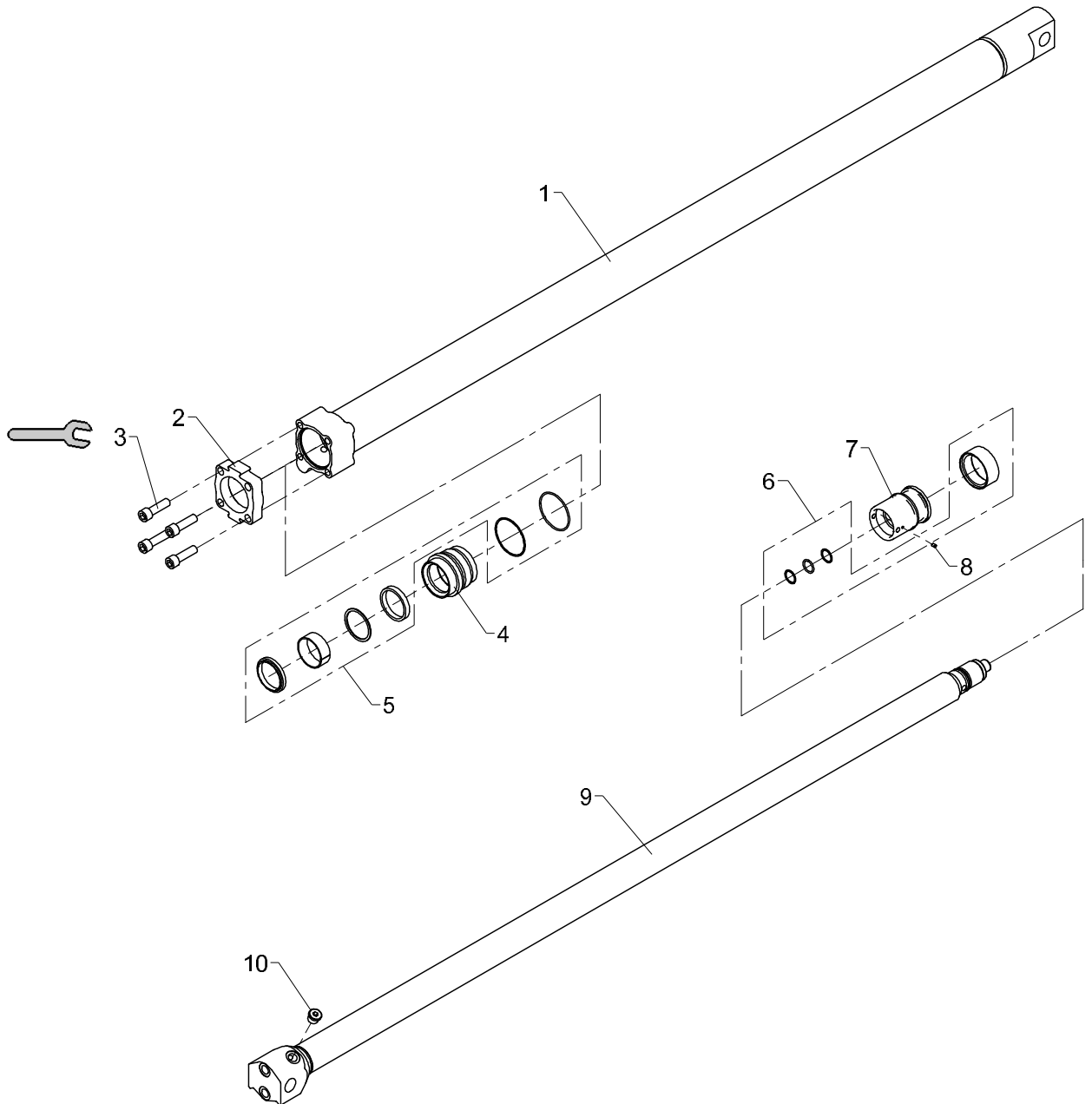
Pos	Qty.	Part no.	Description	Remarks
1	1	6300387	Pin for suspension	
2	2	6193554	Distance ring	
3	2	23947	Composite bearing	ø40/44 x 30
4	1	6193483	Suspension	
5	1	30839	Nut	M30
6	1	31279	Cotter bolt	ø6 x 50
7	1	33458	Lock ring	
8	1	6193524	Pin	
9	2	31158	Spring washer	12 mm
10	2	30175	Set screw	M12 x 20
11	1	6193544	Lock plate	
12	1	63282	Hook, SWL 8 t. black	




540 03 300

### 32/222 PARTS

Internal ref. 63 94 540



 300 Nm

**540 03 300**

From loader 1130001

To loader

Created 20-03-2013

Modified

## Extension cylinder I (C80/63 x 1778h)

---

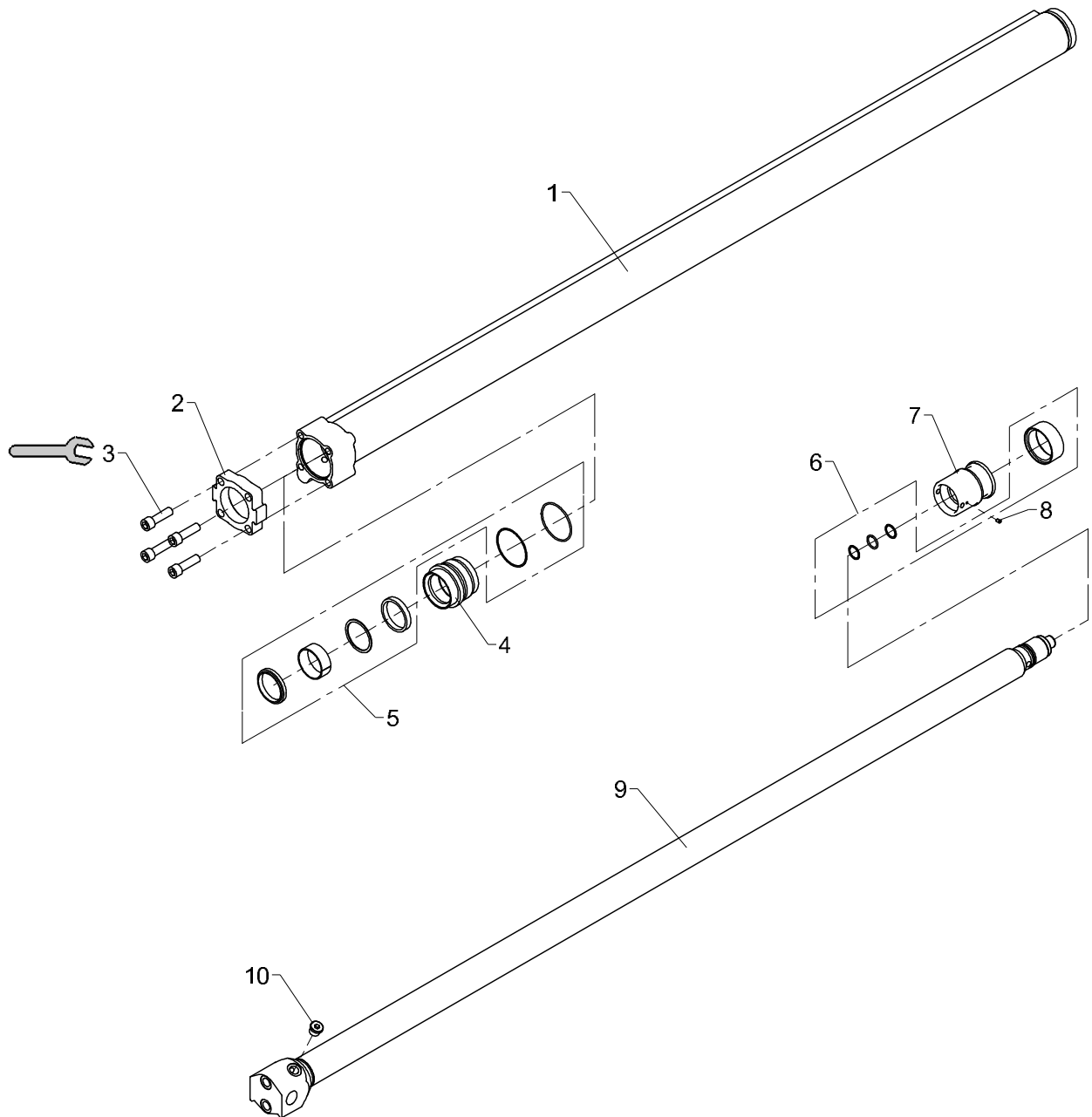
Pos	Qty.	Part no.	Description	Remarks
1	1	6394545		
2	1	6292733	Flange	
3	4	32420	Sockethead screw	MC16 x 55
4	1	6292433	Guide	
5	1	6893960	Seal kit for guide, C85/63	
6	1	6893990	Seal kit for piston, C80	
7	1	6390599	Piston	
8	1	30903	Screw	MSP6 x 8
9	1	6394541		
10	1	25103	Plug	VS-R-1/2 WD




540 03 310

### 32/222 PARTS

Internal ref. 63 94 560



 300 Nm

**540 03 310**

From loader 1130001

To loader

Created 20-03-2013

Modified

## Extension cylinder II (C80/63 x 1902h)

---

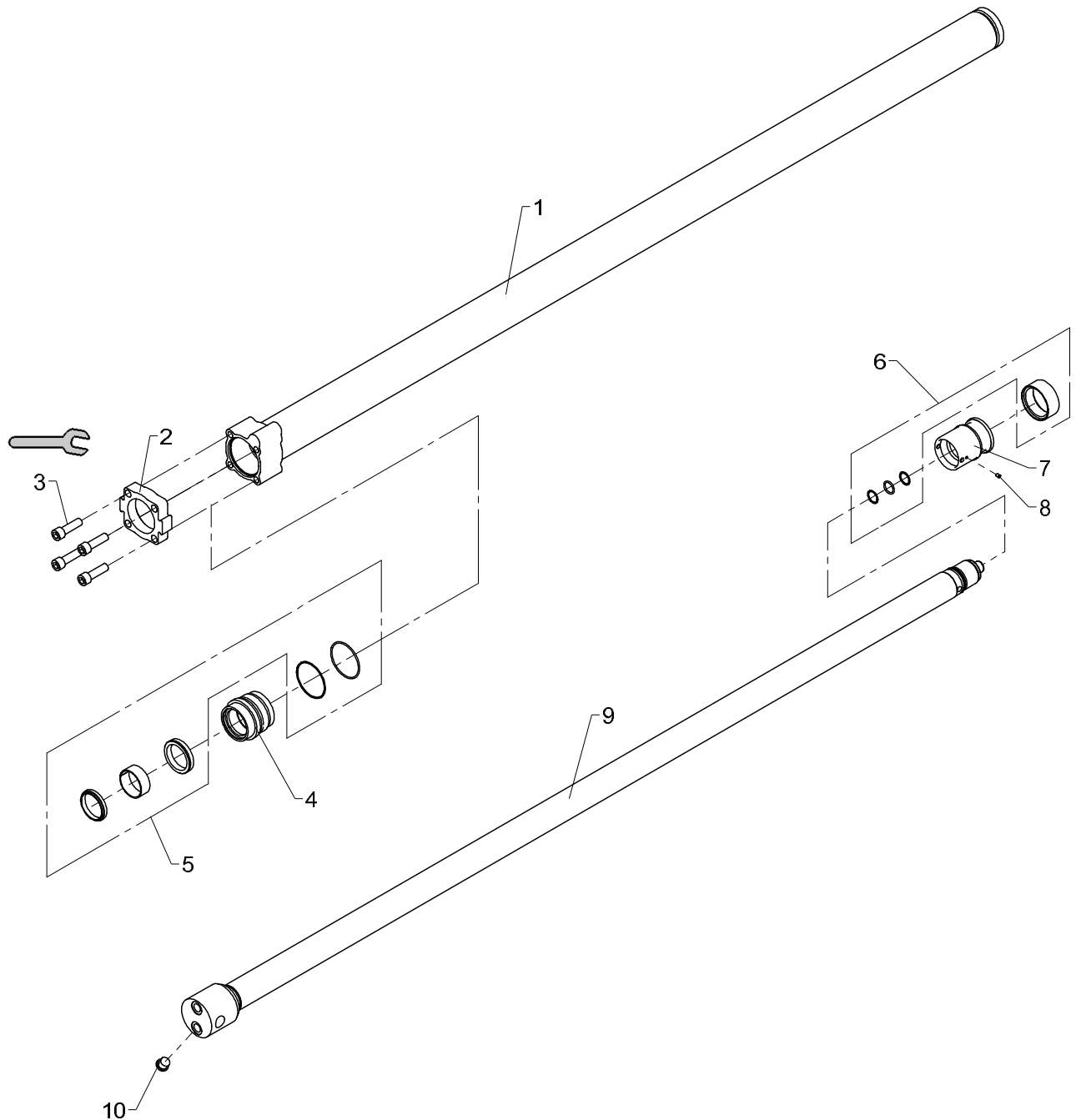
Pos	Qty.	Part no.	Description	Remarks
1	1	6394565		
2	1	6292733	Flange	
3	4	32420	Sockethead screw	MC16 x 55
4	1	6292433	Guide	
5	1	6893960	Seal kit for guide, C85/63	
6	1	6893990	Seal kit for piston, C80	
7	1	6390599	Piston	
8	1	30903	Screw	MSP6 x 8
9	1	6394561		
10	1	25103	Plug	VS-R-1/2 WD




540 03 320

### 32/222 PARTS

Internal ref. 63 94 570



 300 Nm



**540 03 320**

From loader 1130001

To loader

Created 20-03-2013

Modified

## Extension cylinder III (C80/60x2013h)

---

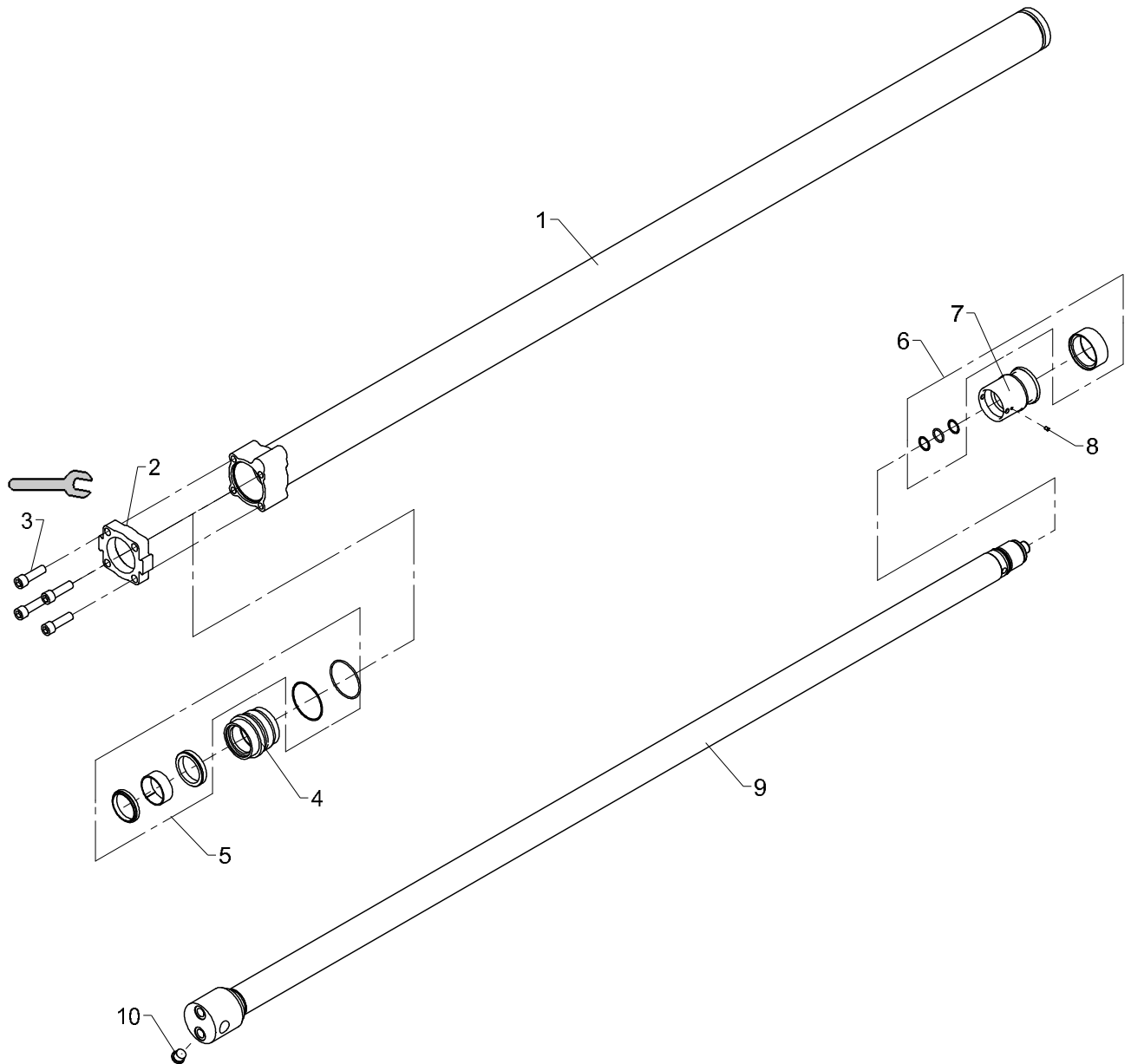
Pos	Qty.	Part no.	Description	Remarks
1	1	6394575	Cylinder tube	
2	1	6292733	Flange	
3	4	32420	Sockethead screw	MC16 x 55
4	1	6292653	Guide	
5	1	6894540		
6	1	6893990	Seal kit for piston, C80	
7	1	6394579	Piston	
8	1	30903	Screw	MSP6 x 8
9	1	6394571		
10	1	25103	Plug	VS-R-1/2 WD




540 03 330

# 32/222 PARTS

Internal ref. 63 94 580



 300 Nm

**540 03 330**

From loader 1130001

To loader

Created 20-03-2013

Modified

## Extension cylinder IV (C80/60 x 2044h)

---

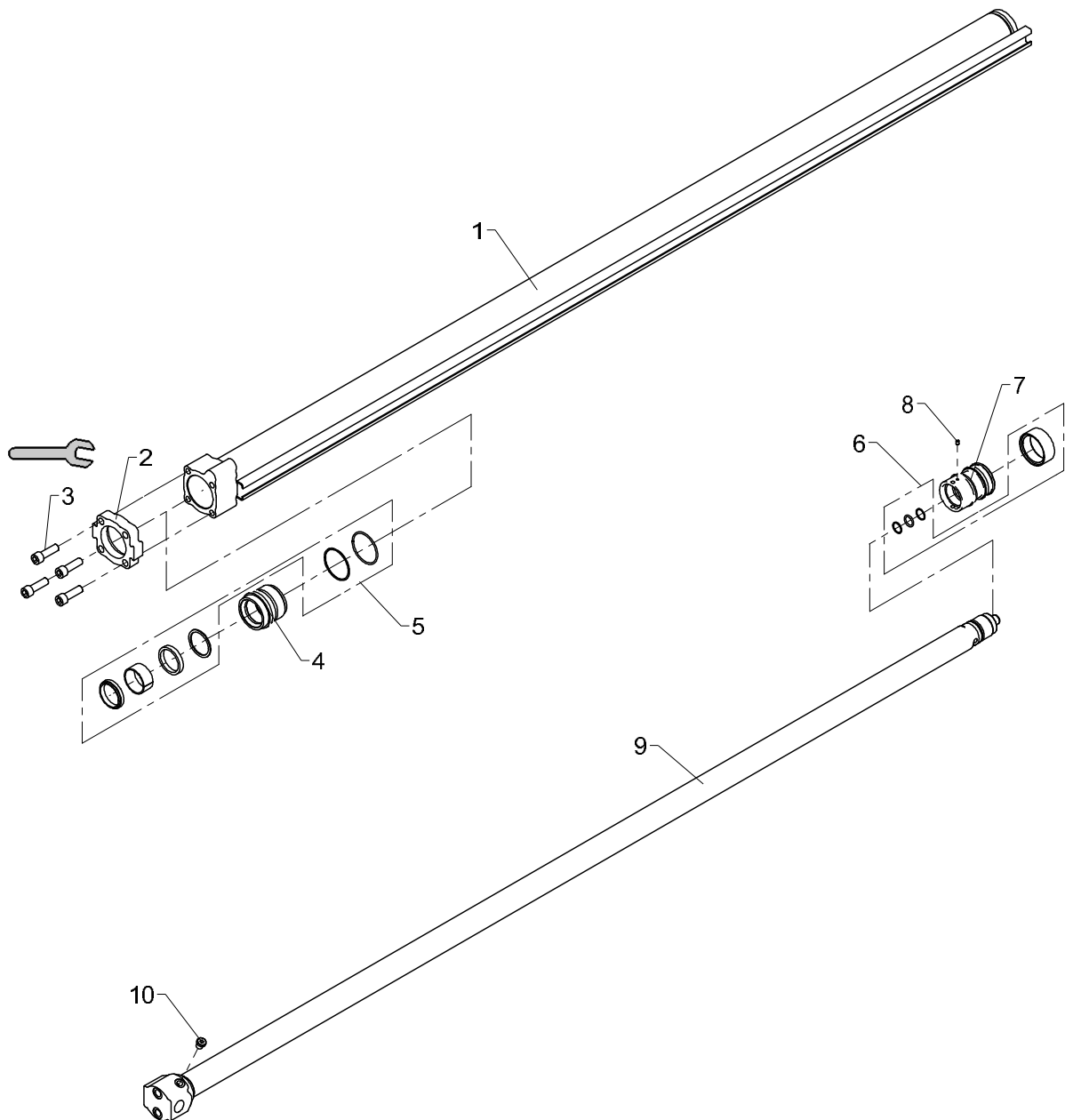
Pos	Qty.	Part no.	Description	Remarks
1	1	6394585	Cylinder tube	
2	1	6292733	Flange	
3	4	32420	Sockethead screw	MC16 x 55
4	1	6292653	Guide	
5	1	6894540		
6	1	6893990	Seal kit for piston, C80	
7	1	6394579	Piston	
8	1	30903	Screw	MSP6 x 8
9	1	6394581		
10	1	25103	Plug	VS-R-1/2 WD




540 03 340

# 32/222 PARTS

Internal ref. 63 94 590



 300 Nm

**540 03 340**

From loader 1130001

To loader

Created 20-03-2013

Modified

## Extension cylinder V (C70/50x2097h)

---

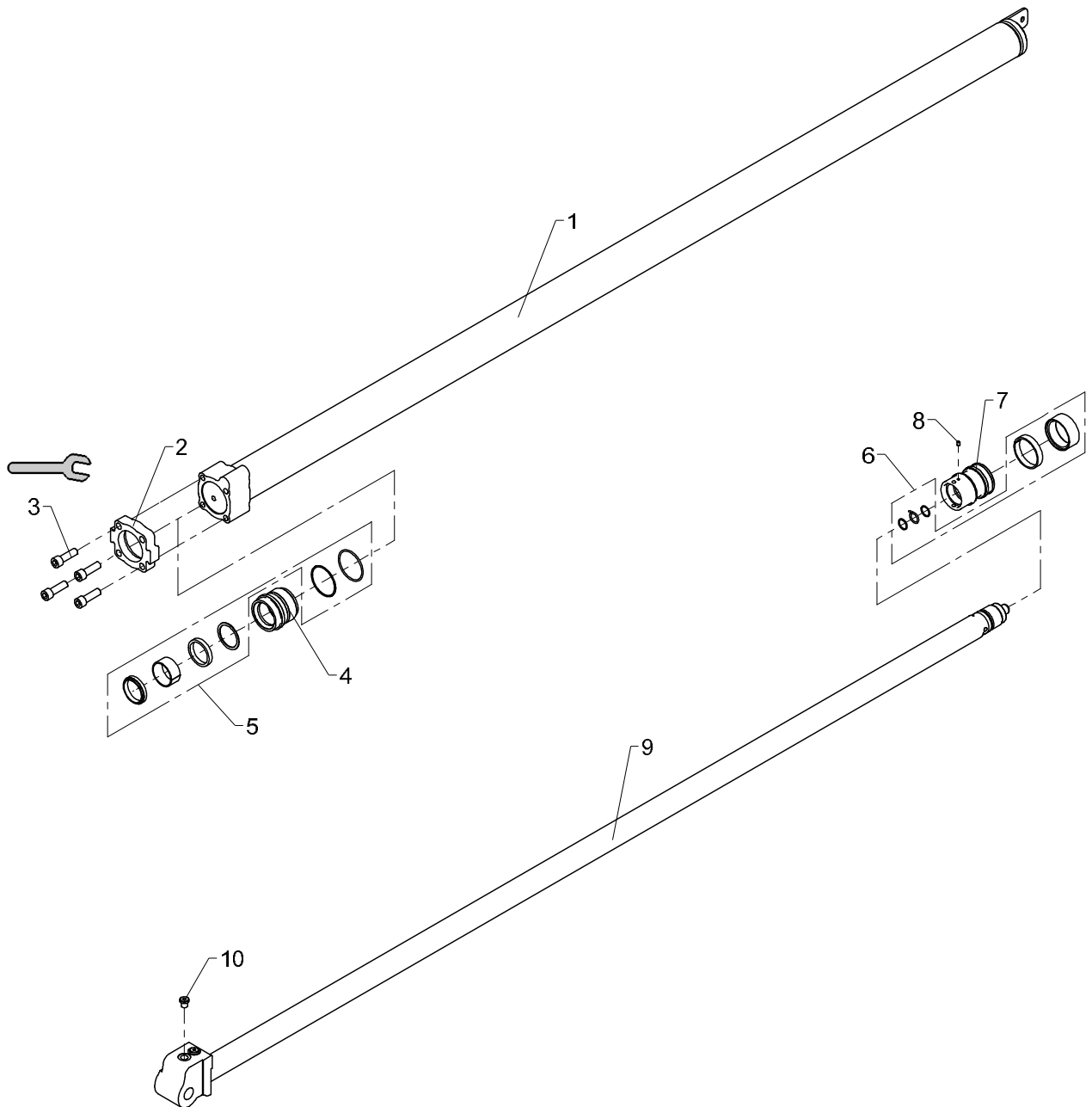
Pos	Qty.	Part no.	Description	Remarks
1	1	6394595	Cylinder tube	
2	1	6344567	Mounting flange	
3	4	32487	Screw	MC14 x 45
4	1	6344577	Guide	
5	1	6894190	Seal kit	
6	1	6894700	Seal kit	
7	1	6354506	Piston	
8	1	30903	Screw	MSP6 x 8
9	1	6394598	Piston rod	
10	1	25197	Plug	VS-R-1/4 WD




540 03 350

# 32/222 PARTS

Internal ref. 63 94 600



 300 Nm

**540 03 350**

From loader 1130001

To loader

Created 20-03-2013

Modified

## Extension cylinder VI (C70/50x2158h)

---

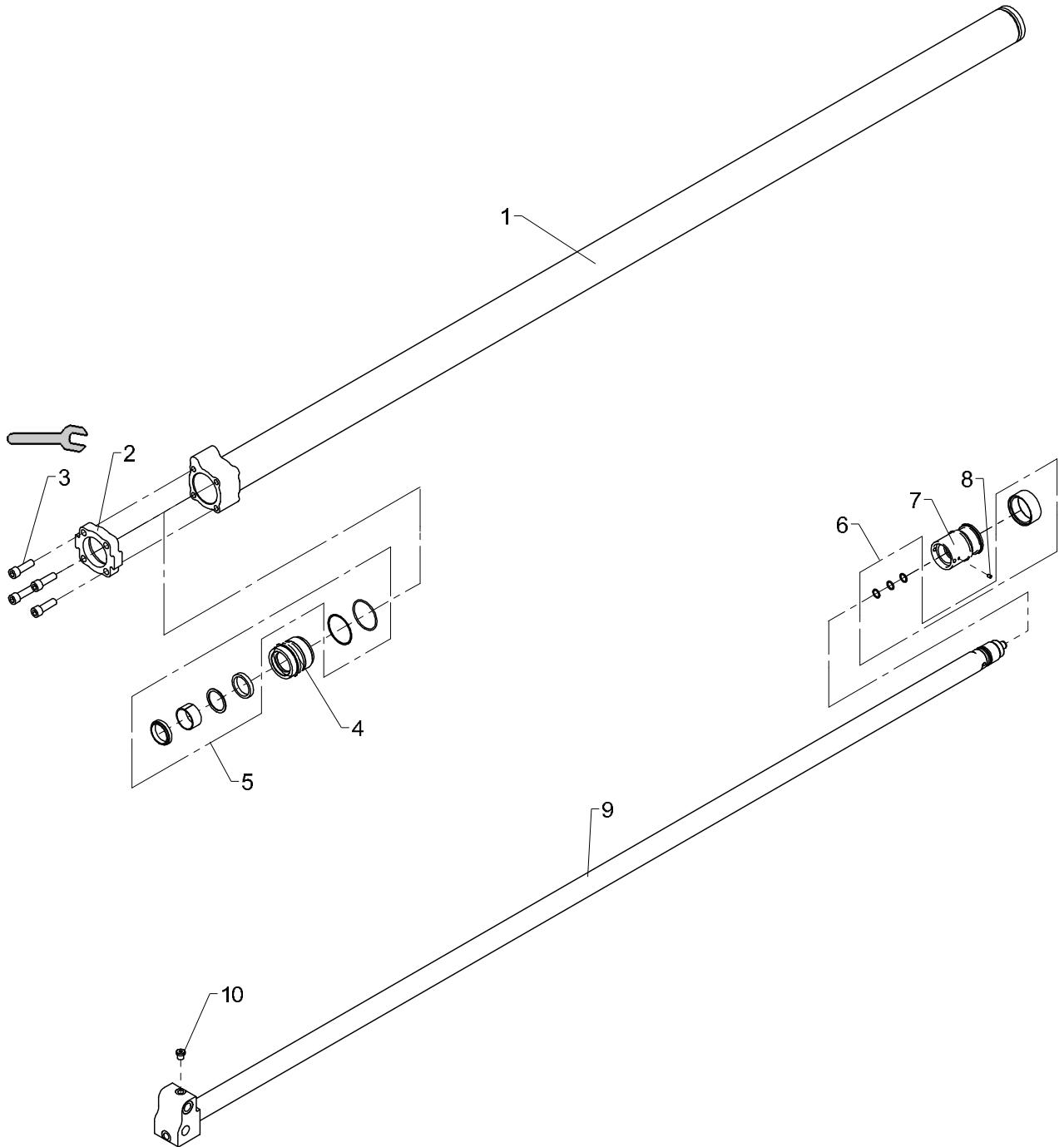
Pos	Qty.	Part no.	Description	Remarks
1	1	6394605	Cylinder tube	
2	1	6344567	Mounting flange	
3	4	32487	Screw	MC14 x 45
4	1	6344577	Guide	
5	1	6894190	Seal kit	
6	1	6894700	Seal kit	
7	1	6354506	Piston	
8	1	30903	Screw	MSP6 x 8
9	1	6394608	Piston rod	
10	2	25197	Plug	VS-R-1/4 WD




540 03 360

# 32/222 PARTS

Internal ref. 63 94 610



 300 Nm



**540 03 360**

From loader 1130001

To loader

Created 20-03-2013

Modified

## Extension cylinder VII (C70/45 x 2209h)

---

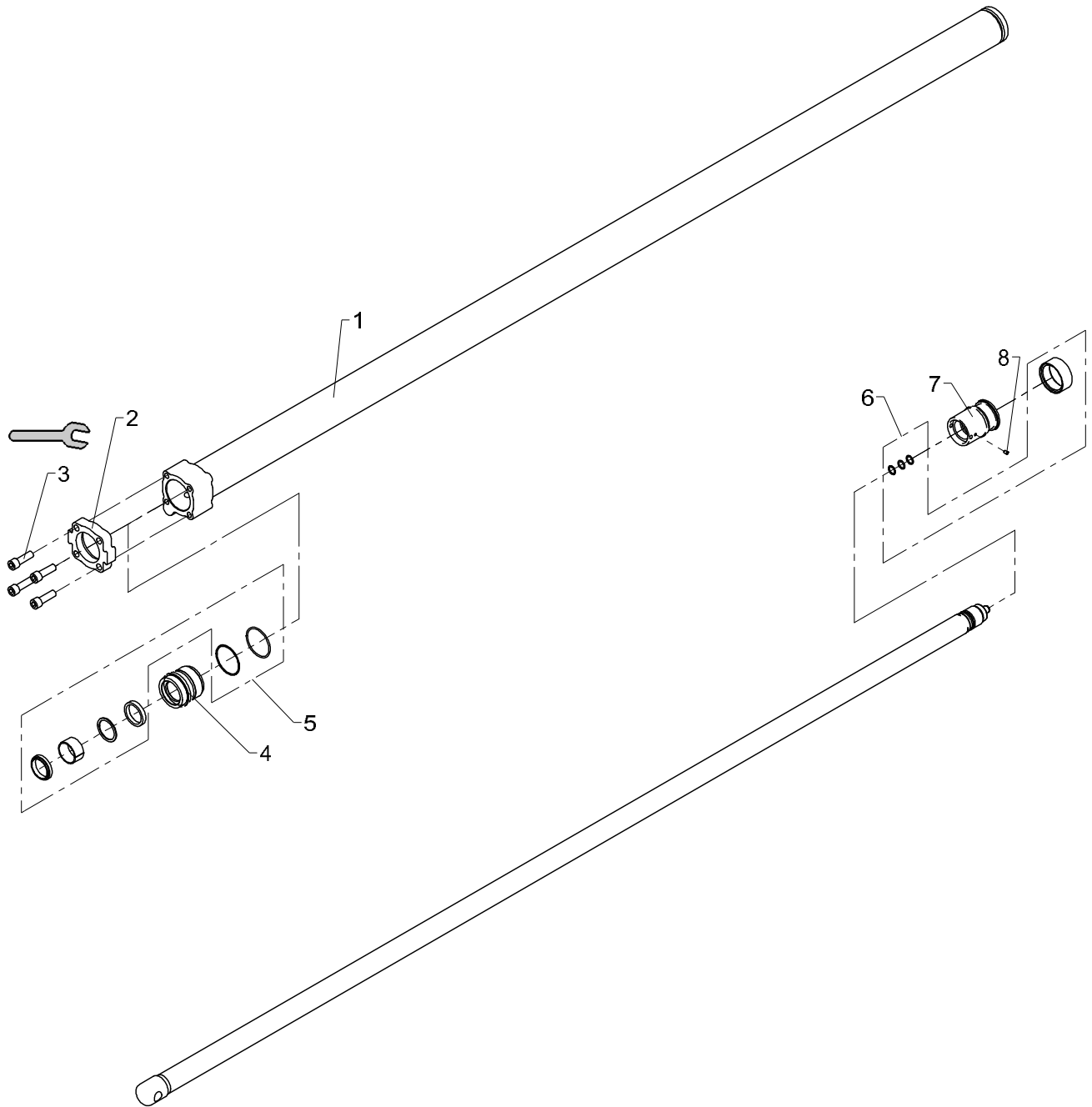
Pos	Qty.	Part no.	Description	Remarks
1	1	6394615	Cylinder tube	
2	1	6344567	Mounting flange	
3	4	32487	Screw	MC14 x 45
4	1	6390614	Guide	
5	1	6894370	Seal kit, guide, C70/45	
6	1	6894380	Seal kit, piston, C70	
7	1	6390619	Piston	
8	1	30903	Screw	MSP6 x 8
9	1	6394611	Piston rod	
10	1	25197	Plug	VS-R-1/4 WD




540 03 370

### 32/222 PARTS

Internal ref. 63 94 620



 300 Nm

**540 03 370**

From loader 1130001

To loader

Created 20-03-2013

Modified

## Extension cylinder VIII (C70/45S x 2234h)

---

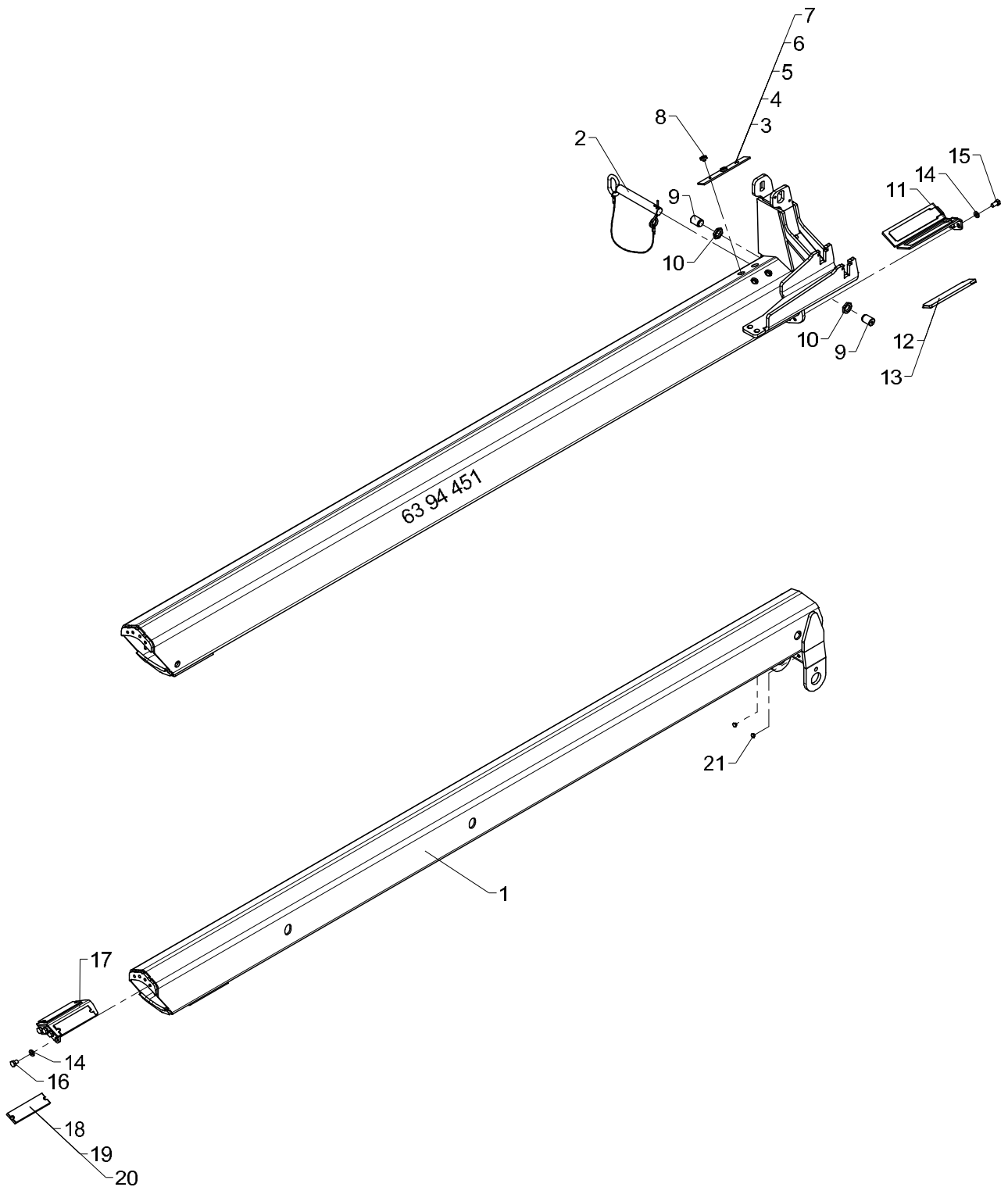
Pos	Qty.	Part no.	Description	Remarks
1	1	6394625	Cylinder tube	
2	1	6344567	Mounting flange	
3	4	32487	Screw	MC14 x 45
4	1	6390614	Guide	
5	1	6894370	Seal kit, guide, C70/45	
6	1	6894380	Seal kit, piston, C70	
7	1	6390619	Piston	
8	1	30903	Screw	MSP6 x 8
9	1	6394621	Piston rod	



540 03 430

# 32/222 PARTS

Internal ref. 63 94 730



**Manual extension, F7**

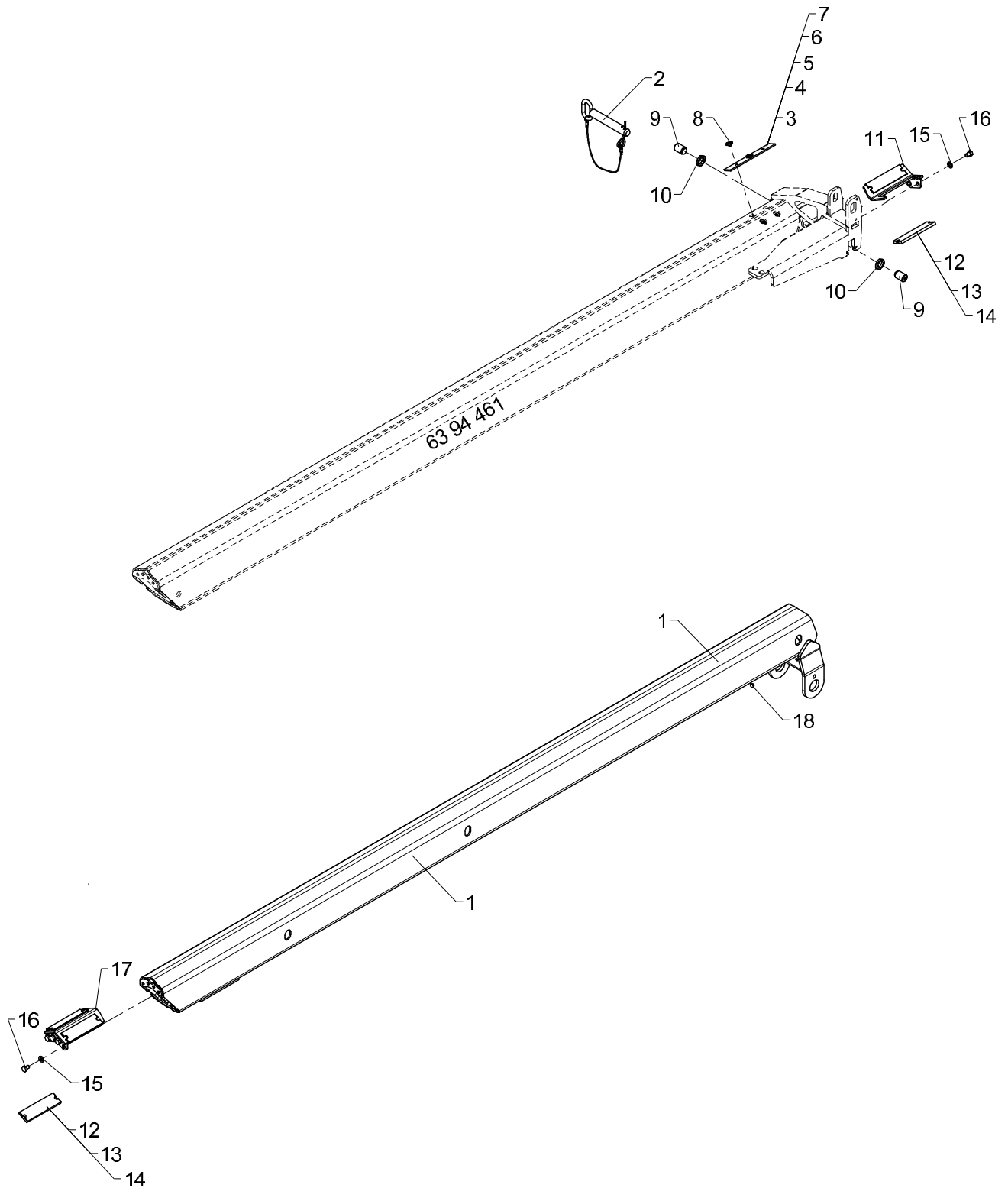
Pos	Qty.	Part no.	Description	Remarks
1	1	6394731		
2	1	6390756	Lock pin with split pin	
3	2	6360414	Spacer	4 mm
4	2	6294434	Spacer	5 mm
5	2	6193304	Spacer	6 mm
6	2	6235944	Spacer	7 mm
7	2	6193314	Spacer	8 mm
8	4	31864	Allen screw	M8 x 6
9	2	6304409	Guide	
10	2	32364	Counter nut	M24 x 2
11	2	6340441	Bracket for slide block	
12	2	63518	Slide block	8 mm
13	2	63762	Slide block	6299074
14	8	31565	Washer, stainless	10 mm
15	4	31517	Set screw, stainless	M10 x 20
16	4	30152	Set screw	M10 x 14
17	1	6340445	Bracket for slide block	
18	2	63573	Slide block	8 mm
19	2	63574	Slide block	9 mm
20	2	63575	Side block	10 mm
21	2	64366	Plug	



540 03 440

# 32/222 PARTS

Internal ref. 63 94 740



**540 03 440**

From loader 1130001

To loader

Created 20-03-2013

Modified

**Manual extension, F8**

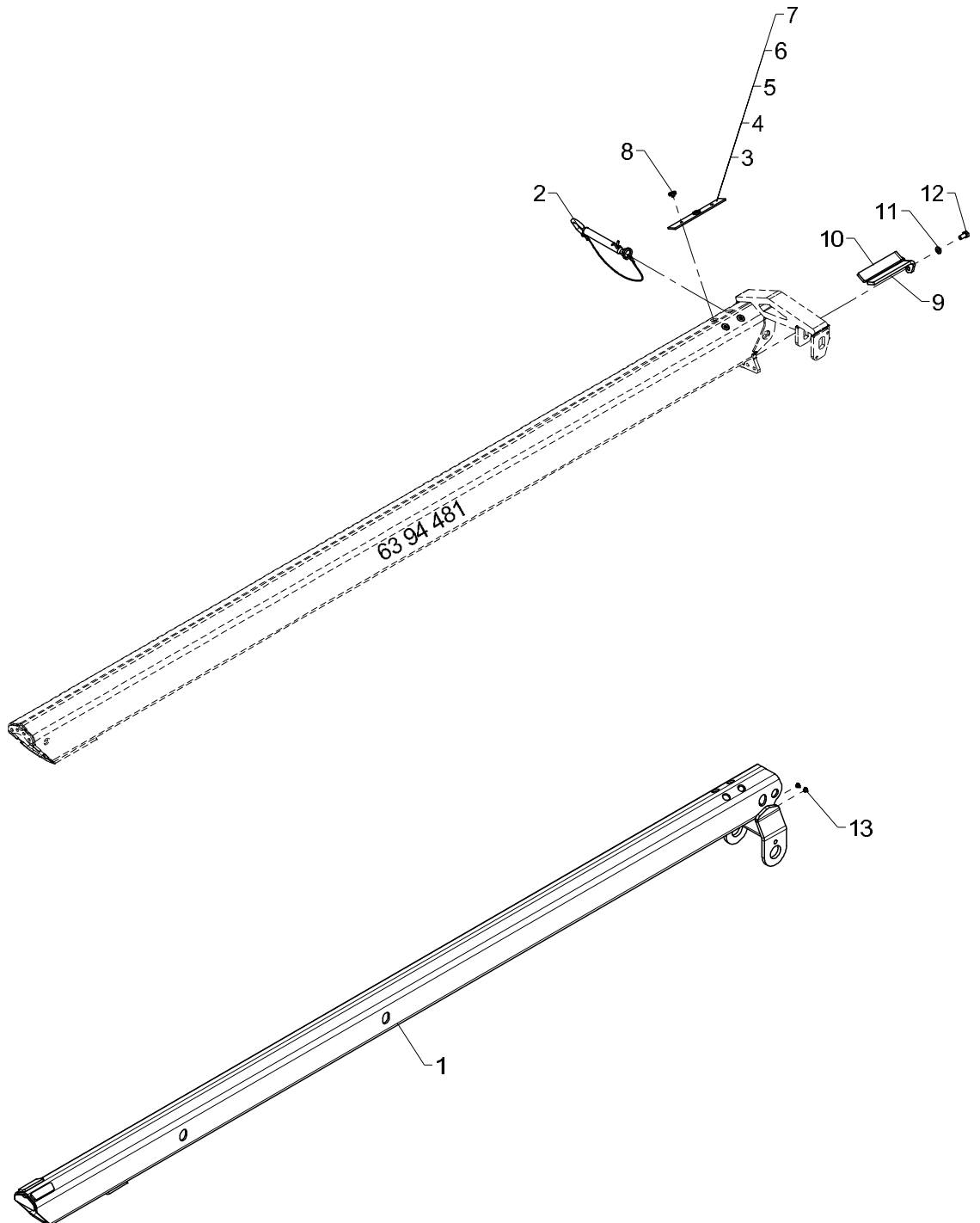
Pos	Qty.	Part no.	Description	Remarks
1	1	6394741		
2	1	6874334	Lock pin with chain	
3	2	6360414	Spacer	4 mm
4	2	6294434	Spacer	5 mm
5	2	6193304	Spacer	6 mm
6	2	6235944	Spacer	7 mm
7	2	6193314	Spacer	8 mm
8	4	31865	Torx screw M8 x 6 m	M8 x 6
9	2	6304409	Guide	
10	2	32364	Counter nut	M24 x 2
11	1	6340442	Bracket for slide block	
12	4	63573	Slide block	8 mm
13	4	63574	Slide block	9 mm
14	4	63575	Side block	10 mm
15	7	31565	Washer, stainless	10 mm
16	7	30152	Set screw	M10 x 14
17	1	6340445	Bracket for slide block	
18	2	64366	Plug	



540 03 450

### 32/222 PARTS

Internal ref. 63 94 750





**Manual extension, F9**

---

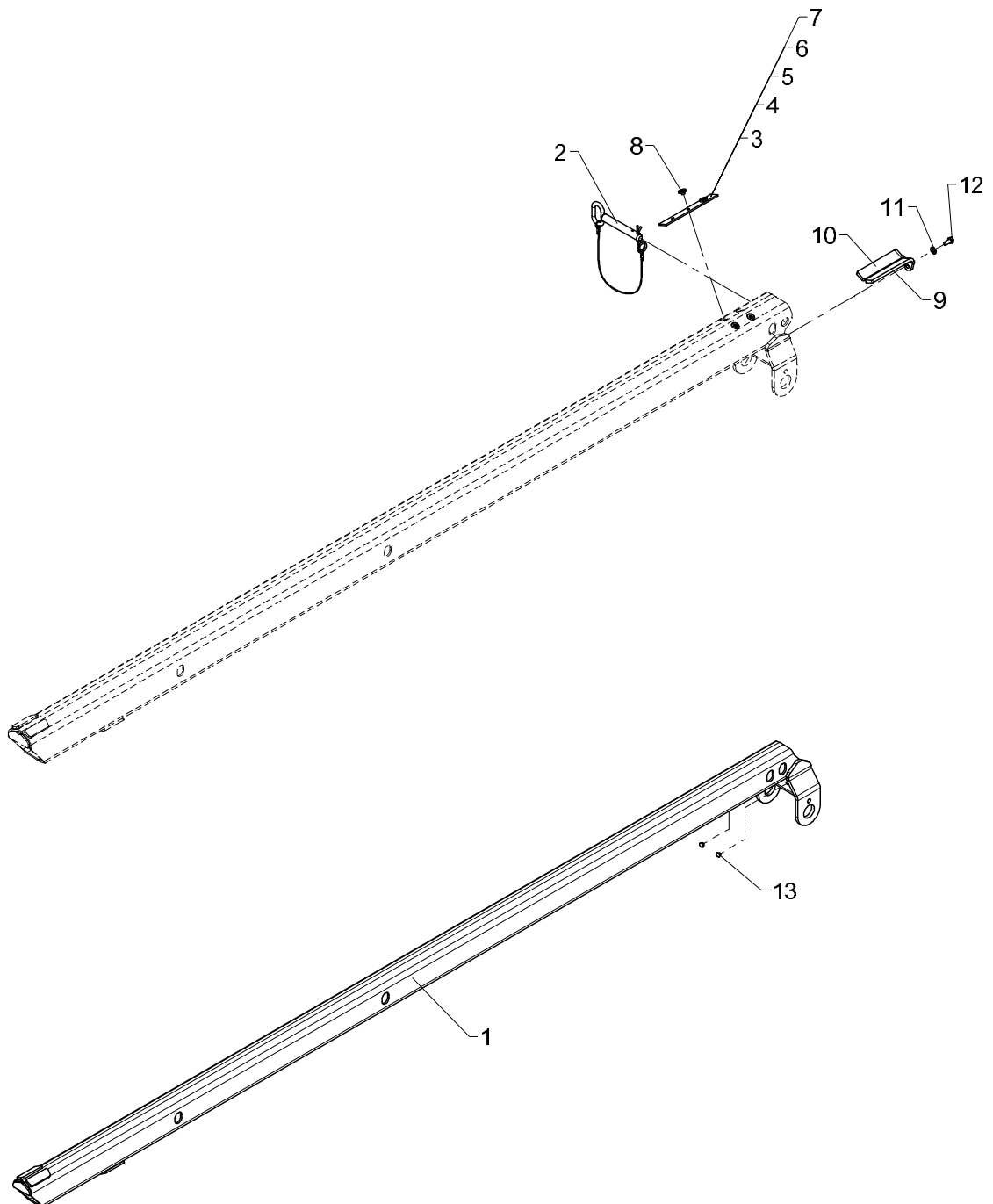
Pos	Qty.	Part no.	Description	Remarks
1	1	6394751		
2	1	6301166	Lock pin with split pin	
3	2	6360414	Spacer	4 mm
4	2	6294434	Spacer	5 mm
5	2	6193304	Spacer	6 mm
6	2	6235944	Spacer	7 mm
7	2	6193314	Spacer	8 mm
8	4	31865	Torx screw M8 x 6 m	M8 x 6
9	1	6340708	Shim, right	
10	1	6340709	Shim, left	
11	2	31565	Washer, stainless	10 mm
12	2	31517	Set screw, stainless	M10 x 20
13	2	64366	Plug	



540 03 460

# 32/222 PARTS

Internal ref. 63 94 760



**540 03 460**

From loader 1130001

To loader

Created 20-03-2013

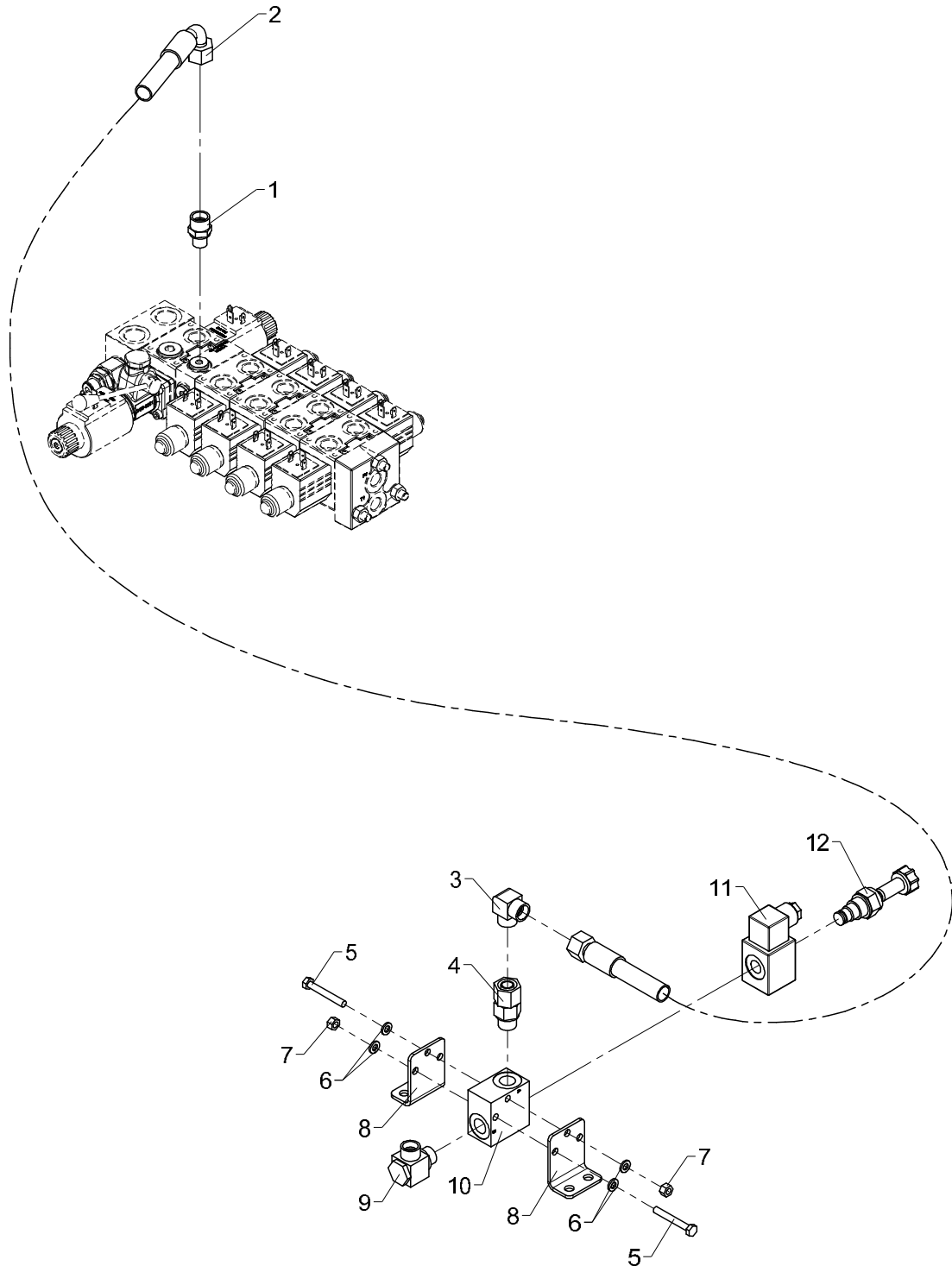
Modified

## Manual extension, F10 cpl.

Pos	Qty.	Part no.	Description	Remarks
1	1	6394761		
2	1	6301166	Lock pin with split pin	
3	2	6360414	Spacer	4 mm
4	2	6294434	Spacer	5 mm
5	2	6193304	Spacer	6 mm
6	2	6235944	Spacer	7 mm
7	2	6193314	Spacer	8 mm
8	4	31865	Torx screw M8 x 6 m	M8 x 6
9	1	6340708	Shim, right	
10	1	6340709	Shim, left	
11	2	31565	Washer, stainless	10 mm
12	2	31517	Set screw, stainless	M10 x 20
13	2	64366	Plug	



# 32/222 PARTS



**540 05 200**

From loader 1130001

To loader

## Stabilizer valve block, 5 available functions

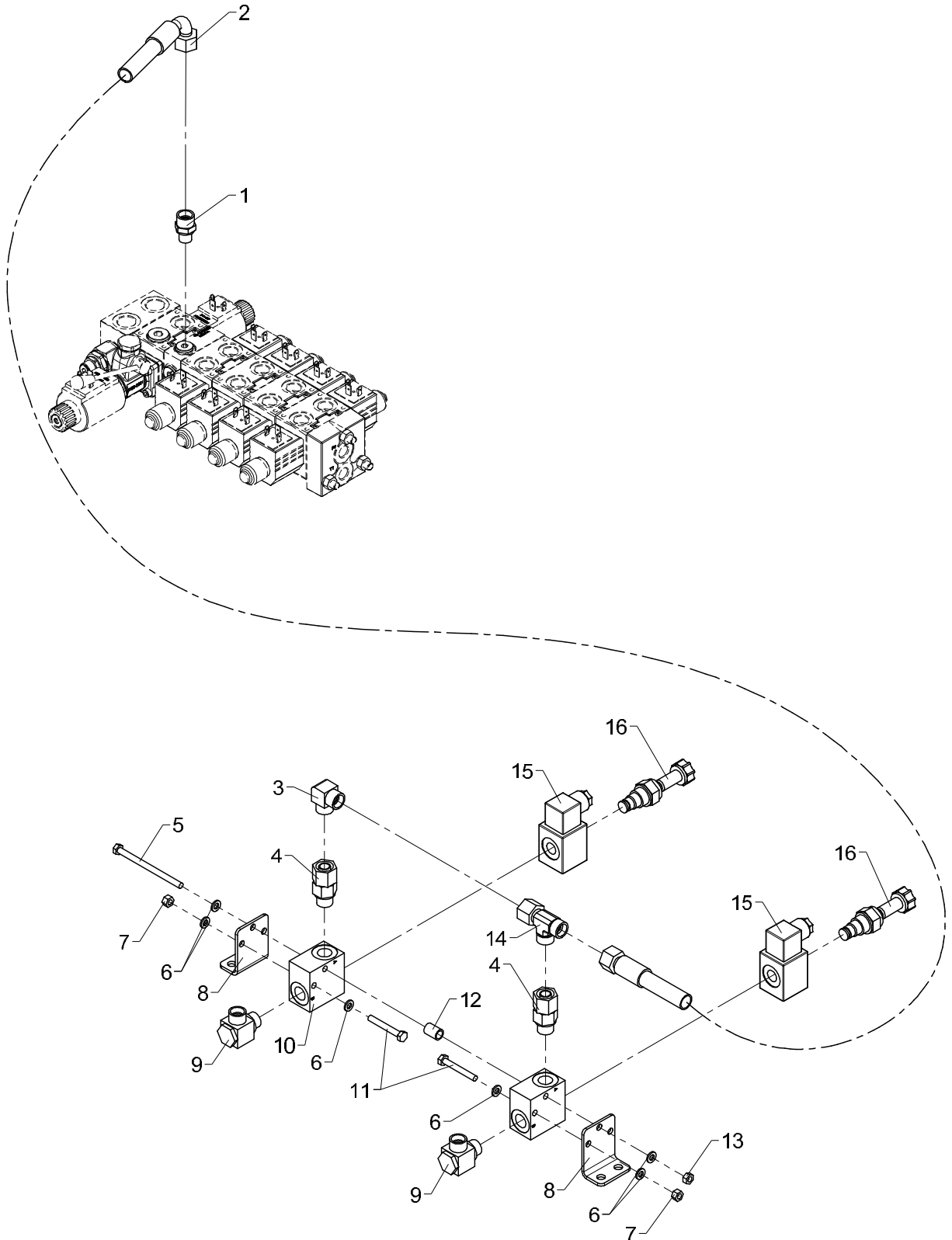
Created 17-08-2010

Modified 22-08-2012

Pos	Qty.	Part no.	Description	Remarks
1	1	25195	Connection	P-GEV 12 LR 1/4-WD
2	1	0017120	Hose	
3	1	25129	Elbow connection	WV 12 L
4	1	25240	Connection	EGESD 12 LR-WD
5	2	30118	Steel pin, stainless	M6 x 45
6	4	32302	Face washer, stainless	6 mm
7	2	30884	Lock nut, stainless	M6
8	2	6301202	Bracket	
9	1	25130	Banjo connection	RSWV 12 LR
10	1	59771	Valve housing	
11	1	61778	Solenoid	
12	1	59057	Solenoid valve	



# 32/222 PARTS



**540 05 210**

From loader 1130001

To loader

**Stabilizer valve block, 6 available functions**

Created 17-08-2010

Modified 22-08-2012

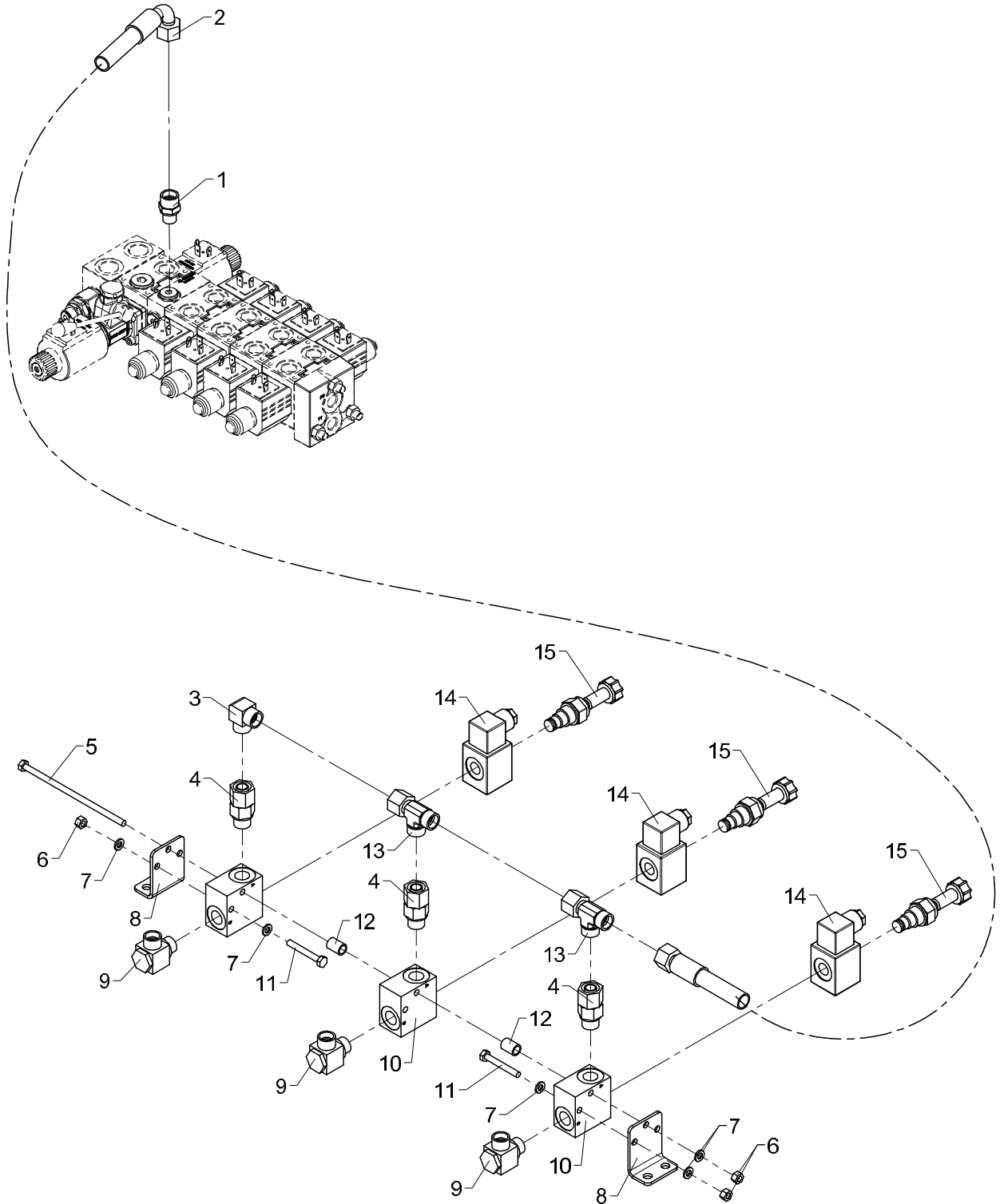
Pos	Qty.	Part no.	Description	Remarks
1	1	25195	Connection	P-GEV 12 LR 1/4-WD
2	1	0017120	Hose	
3	1	25129	Elbow connection	WV 12 L
4	2	25240	Connection	EGESD 12 LR-WD
5	1	30124	Steel bolt, stainless	M6 x 90
6	6	32302	Face washer, stainless	6 mm
7	2	30884	Lock nut, stainless	M6
8	2	6301202	Bracket	
9	2	25130	Banjo connection	RSWV 12 LR
10	2	59771	Valve housing	
11	2	30118	Steel pin, stainless	M6 x 45
12	1	6301203	Pipe	
13	1	30854	Nut, stainless	M6
14	1	25270	Connection	ELSD 12 L
15	2	61778	Solenoid	
16	2	59057	Solenoid valve	



540 05 220

# 32/222 PARTS

Internal ref. 63 91 220





**540 05 220**

From loader 1130001

To loader

**Stabilizer valve block, 7 available functions**

Created 17-08-2010

Modified 22-08-2012

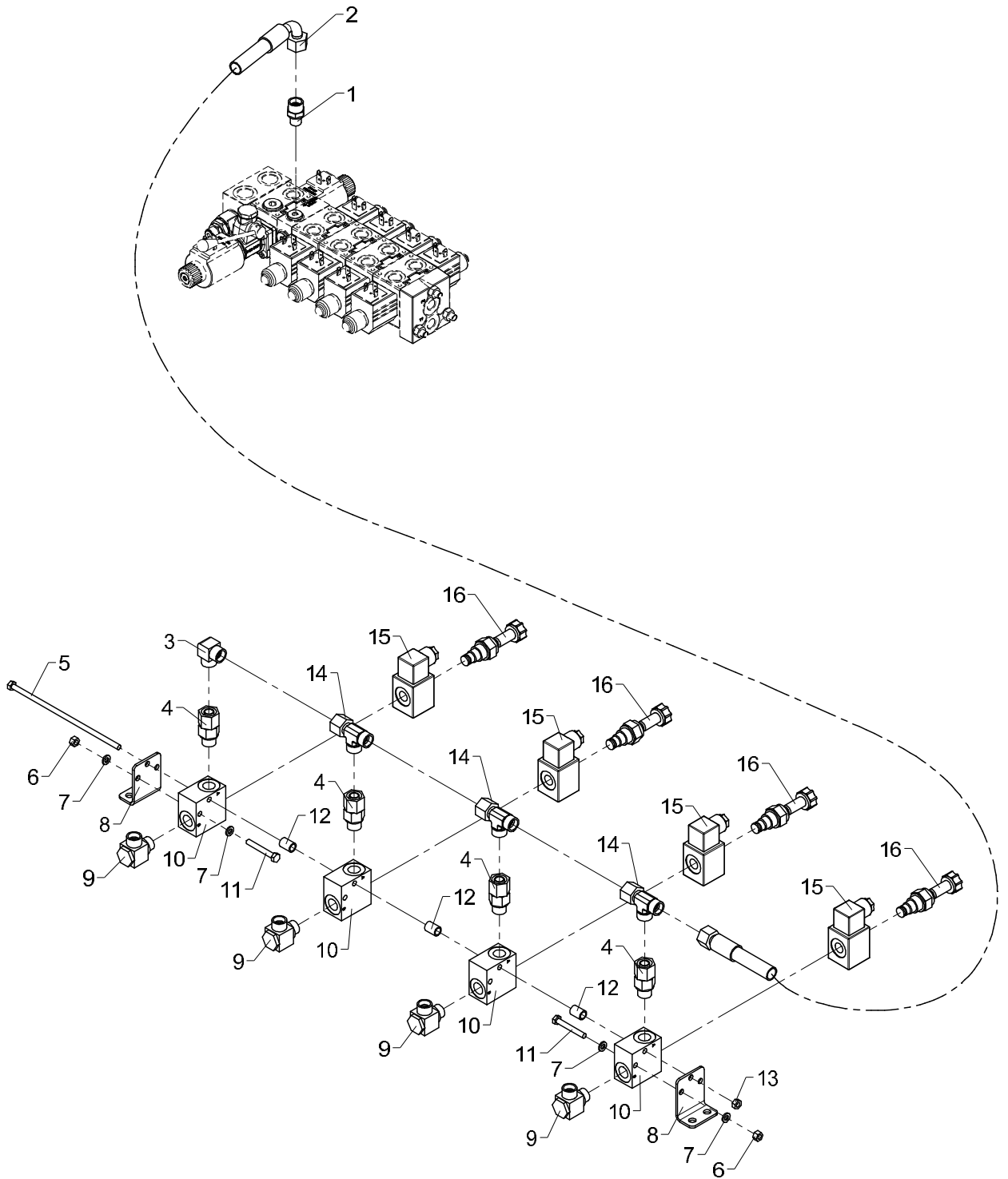
Pos	Qty.	Part no.	Description	Remarks
1	1	25195	Connection	P-GEV 12 LR 1/4-WD
2	1	0017120	Hose	
3	1	25129	Elbow connection	WV 12 L
4	3	25240	Connection	EGESD 12 LR-WD
5	1	32922	Steel bolt	M6 x 140
6	3	30884	Lock nut, stainless	M6
7	5	32302	Face washer, stainless	6 mm
8	2	6301202	Bracket	
9	3	25130	Banjo connection	RSWV 12 LR
10	3	59771	Valve housing	
11	2	30118	Steel pin, stainless	M6 x 45
12	2	6301203	Pipe	
13	2	25270	Connection	ELSD 12 L
14	3	61778	Solenoid	
15	3	59057	Solenoid valve	



540 05 230

# 32/222 PARTS

Internal ref. 63 91 230



**540 05 230**

From loader 1130001

To loader

**Stabilizer valve block, 8 available functions**

Created 17-08-2010

Modified 22-08-2012

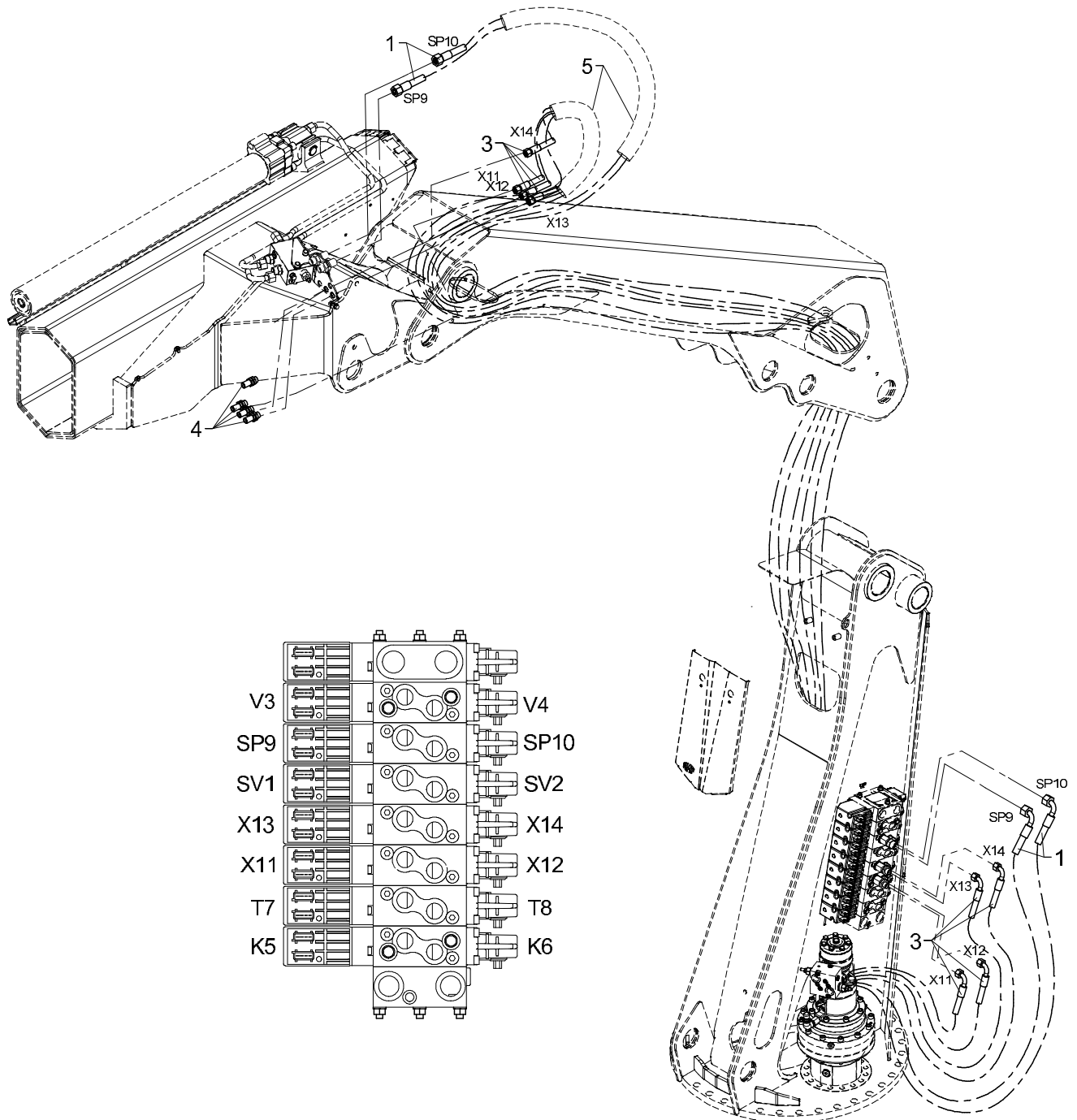
Pos	Qty.	Part no.	Description	Remarks
1	1	25195	Connection	P-GEV 12 LR 1/4-WD
2	1	0017120	Hose	
3	1	25129	Elbow connection	WV 12 L
4	4	25240	Connection	EGESD 12 LR-WD
5	1	32257	Steel bolt	M6 x 180
6	2	30884	Lock nut, stainless	M6
7	4	32302	Face washer, stainless	6 mm
8	2	6301202	Bracket	
9	4	25130	Banjo connection	RSWV 12 LR
10	4	59771	Valve housing	
11	2	30118	Steel pin, stainless	M6 x 45
12	3	6301203	Pipe	
13	1	30854	Nut, stainless	M6
14	3	25270	Connection	ELSD 12 L
15	4	61778	Solenoid	
16	4	59057	Solenoid valve	



540 05 660

# 32/222PARTS

63 94 880  
Internal ref. 63 94 890



63 94 890 - Pos.1  
63 94 880 - Pos.3 - 5

**540 05 660**

From loader 1130001

To loader

Created 20-03-2013

Modified

## Hose kit, winch and extra valves

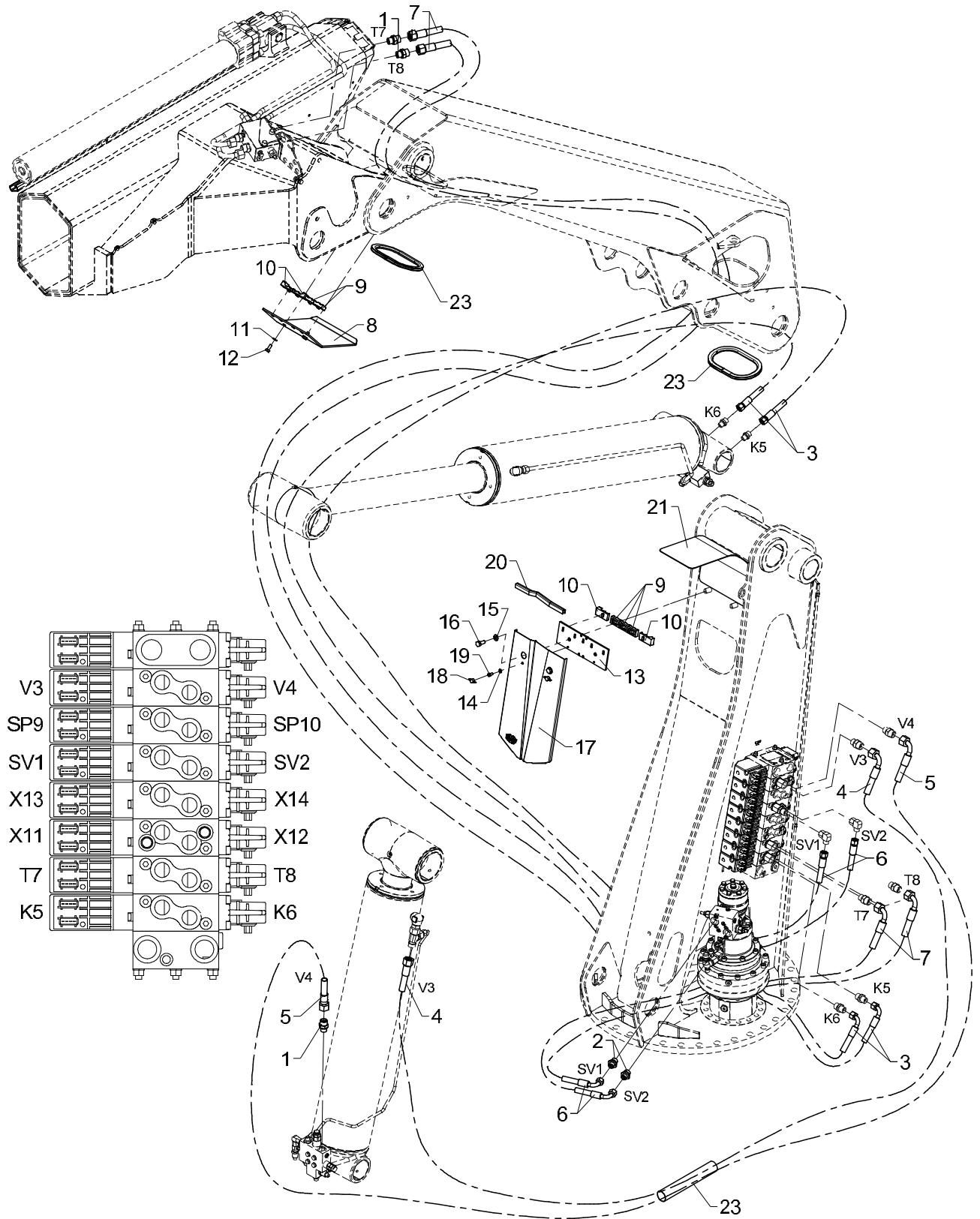
---

Pos	Qty.	Part no.	Description	Remarks
		6394890		
		6394880		
1	2	56914		1/2 X 5300 M24 X 1.5 L/90 16Svær
2	1	6394880		
3	4	56915		3/8"x 5300mm 90gr/L 12L
4	4	25201	Bulkhead connection	GSS 12 L
5	2	62587	Protective cover	180 x 1000 mm



# 32/222 PARTS

Internal ref. 63 94 650



**540 05 670**

From loader 1130001

To loader

Created 20-03-2013

Modified

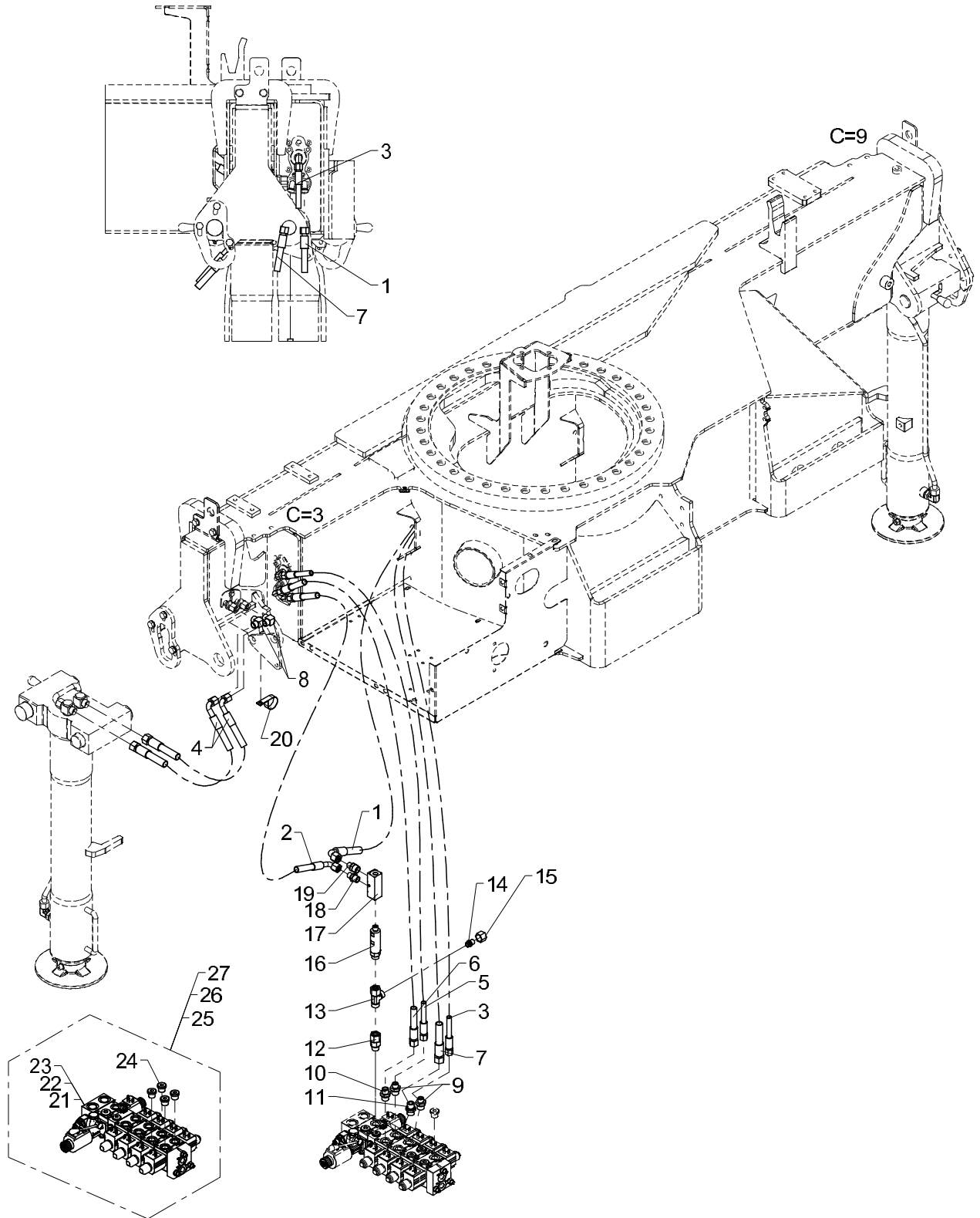
**Hose kit, loader functions**

Pos	Qty.	Part no.	Description	Remarks
1	3	26334	Connection	P-GEV 16 SR-WD
2	2	25108	Connection	GES 12 LR 1/2-WD
3	2	0015520	Hose	3/8" x 2800 mm L/90°
4	1	56385	Hose	
5	1	62687	Hose	1/2" x 1600
6	2	0017300	Hose	
7	2	56914		1/2 X 5300 M24 X 1.5 L/90 16Svær
8	1	6394245		
9	5	63561	Clamp	
10	4	63563	Clamp	
11	2	31147	Face washer, 8 mm	
12	2	30132	Set screw, stainless	
13	1	6394243		
14	2	32302	Face washer, stainless	6 mm
15	2	31565	Washer, stainless	10 mm
16	2	31513	Set screw, stainless	M10 x 25
17	1	6394244		
18	2	64353	Thumb screw	M6
19	2	30423	Sockethead screw	MC6 x 12
20	1	22122	PVC protection	
21	1	63800		
22	1	29131	Protective cover	0,25 m
23	2	46587	Rubber protection	470 mm



# 32/222 PARTS

Internal ref. 63 94 670





**540 05 700**

From loader 1130001

To loader

**Hydraulic system, stabilizers**

Created 14-06-2012

Modified

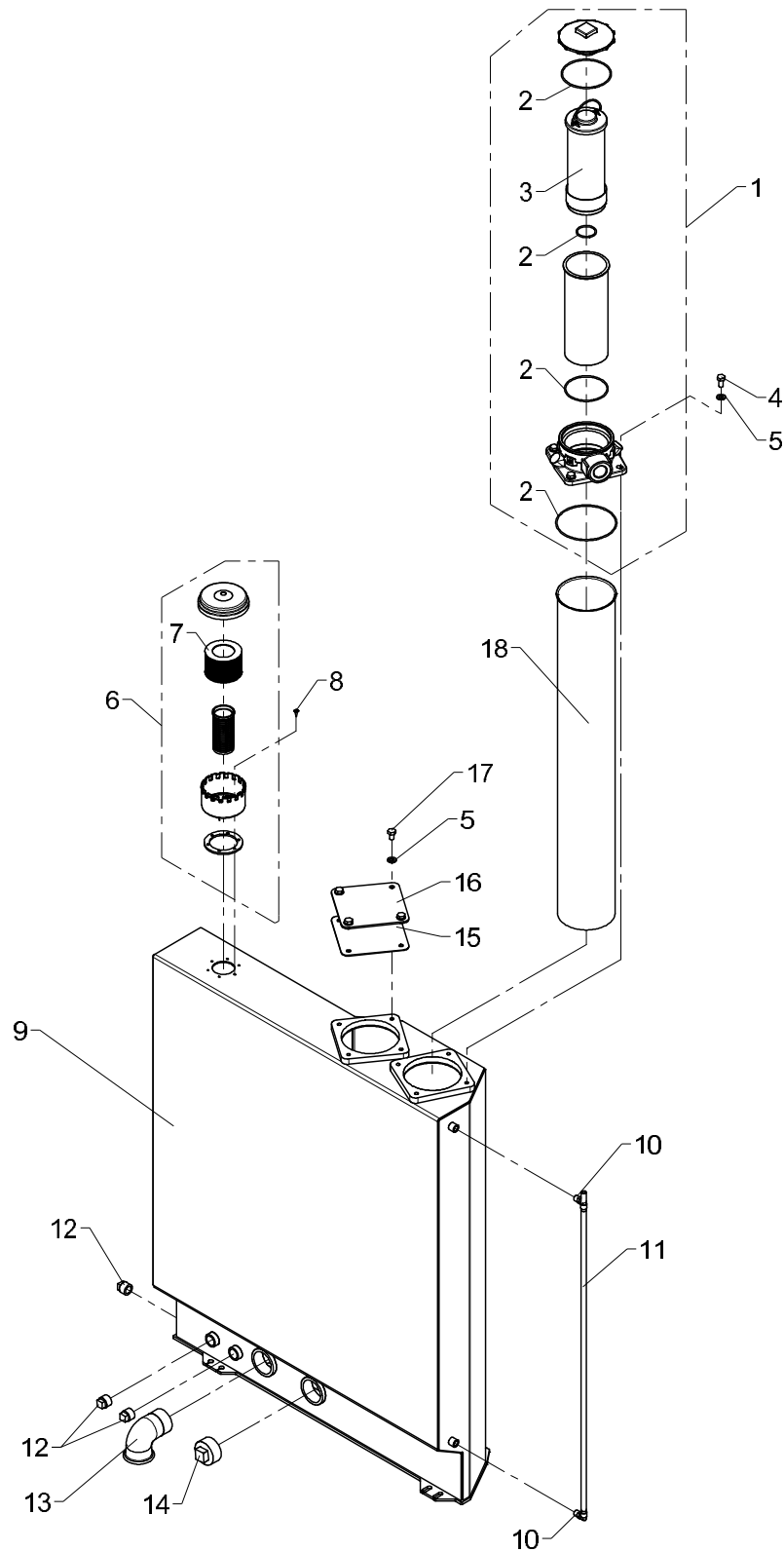
Pos	Qty.	Part no.	Description	Remarks
1	1	56535	Hose	3/8" X 2350 mm 90/ L
2	1	56537	Hose	5/16" x 250 mm 90/ L
3	1	62628	Hose	1/4 X 2600 M4X1.5L/L
4	4	56556	Hose	5/16" x 550 mm 90/L
5	1	62512	Hose	1/4 X 500 M14 X 1.5 L/L
6	1	56538	Hose	5/16" x 550 mm L / L
7	1	56536	Hose	3/8" x 2600 mm L / L
8	2	25125	Elbow connection	WV 10 L
9	2	25244	Connection	GES 8 LR 3/8-WD
10	1	25253	Connection	P-GEV 10 LR 3/8-WD
11	1	25127	Connection	P-GEV 12 LR-WD
12	1	25240	Connection	EGESD 12 LR-WD
13	1	25270	Connection	ELSD 12 L
14	1	26180	Blanking plug	VSD 12 L
15	1	25183	Coupling nut	M 12 L
16	1	55239	Counter-balance valve	
17	1	59356	Valve block	6883334
18	1	25121	Connection	P-GEV 10 LR-WD
19	1	25195	Connection	P-GEV 12 LR 1/4-WD
20	1	31868	Clip 32 mm	
21	1	50510	Stabilizer valve	
22	1	50513		
23	1	50512	Stabilizer control valve	
24	4	25277	Plug	VS-R-3/8 WD
25	1	6390660		
26	1	6395660		
27	1	6395670		



540 06 020

# 32/222 PARTS

Internal ref. 63 94 500



**540 06 020**

From loader 1130001

To loader

Created 20-03-2013

Modified

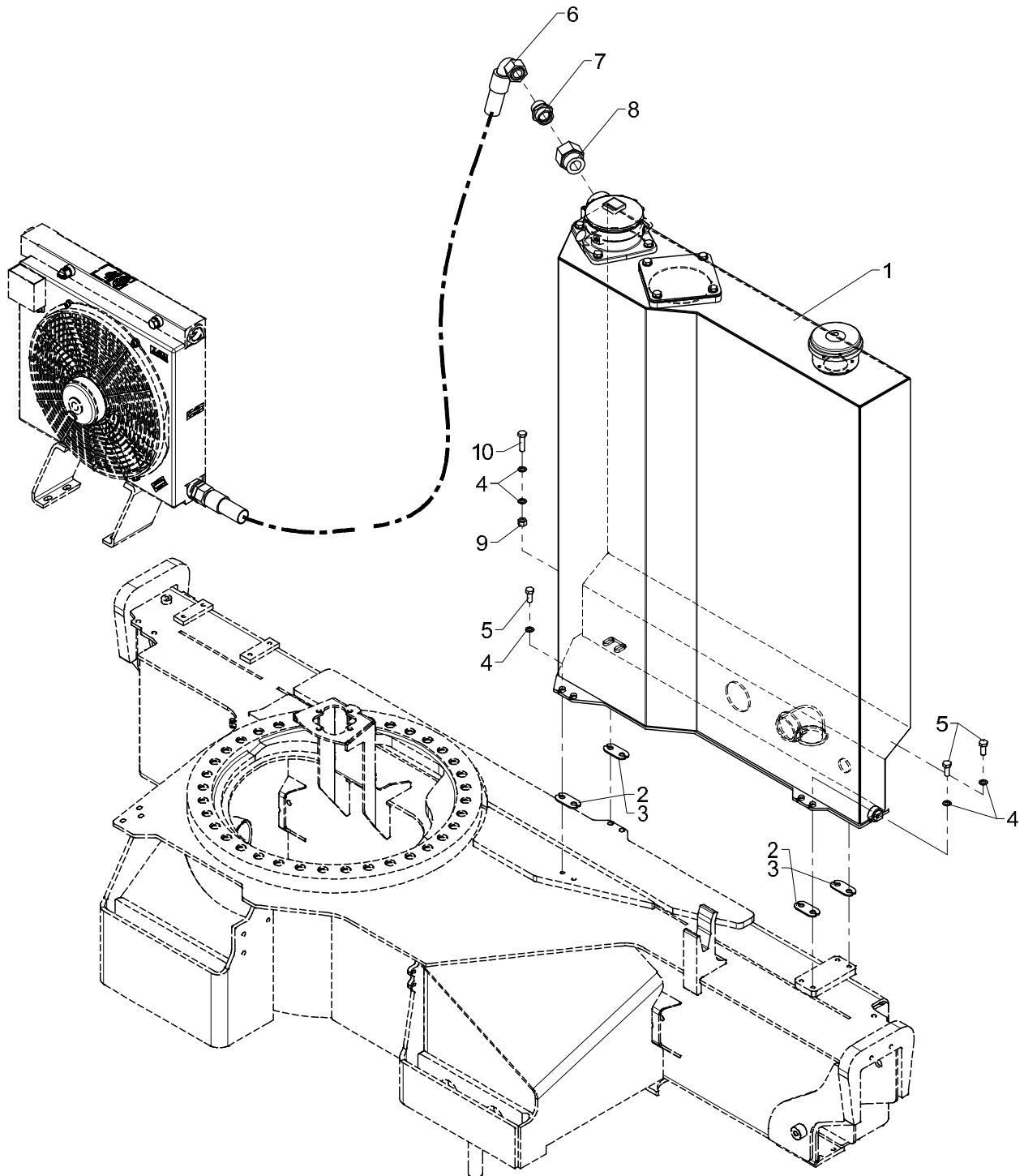
**Tank, cpl.**

Pos	Qty.	Part no.	Description	Remarks
1	1	49408	Return filter	
2	1	49419	Seal kit	
3	1	49409	Filter	
4	4	31517	Set screw, stainless	M10 x 20
5	8	31565	Washer, stainless	10 mm
6	1	60275	Air filter	
7	1	60276	Filter	
8	6	30737	Sheet metal screw	UH4,8 x 16
9	1	6394501		
10	2	25535	Elbow connection	
11	1	62472	Nylon pipe	900 mm
12	3	26914	Plug 3/4"	
13	1	25430	Elbow	
14	1	25351	Plug	
15	1	6392512		
16	1	6392511		
17	4	31510	Set screw, stainless	M10 x 16
18	1	58409	Pipe	



# 32/222 PARTS

Internal ref. 63 94 520



**540 06 030**

From loader 1130001

To loader

Created 20-03-2013

Modified

**Tank incl. fittings**

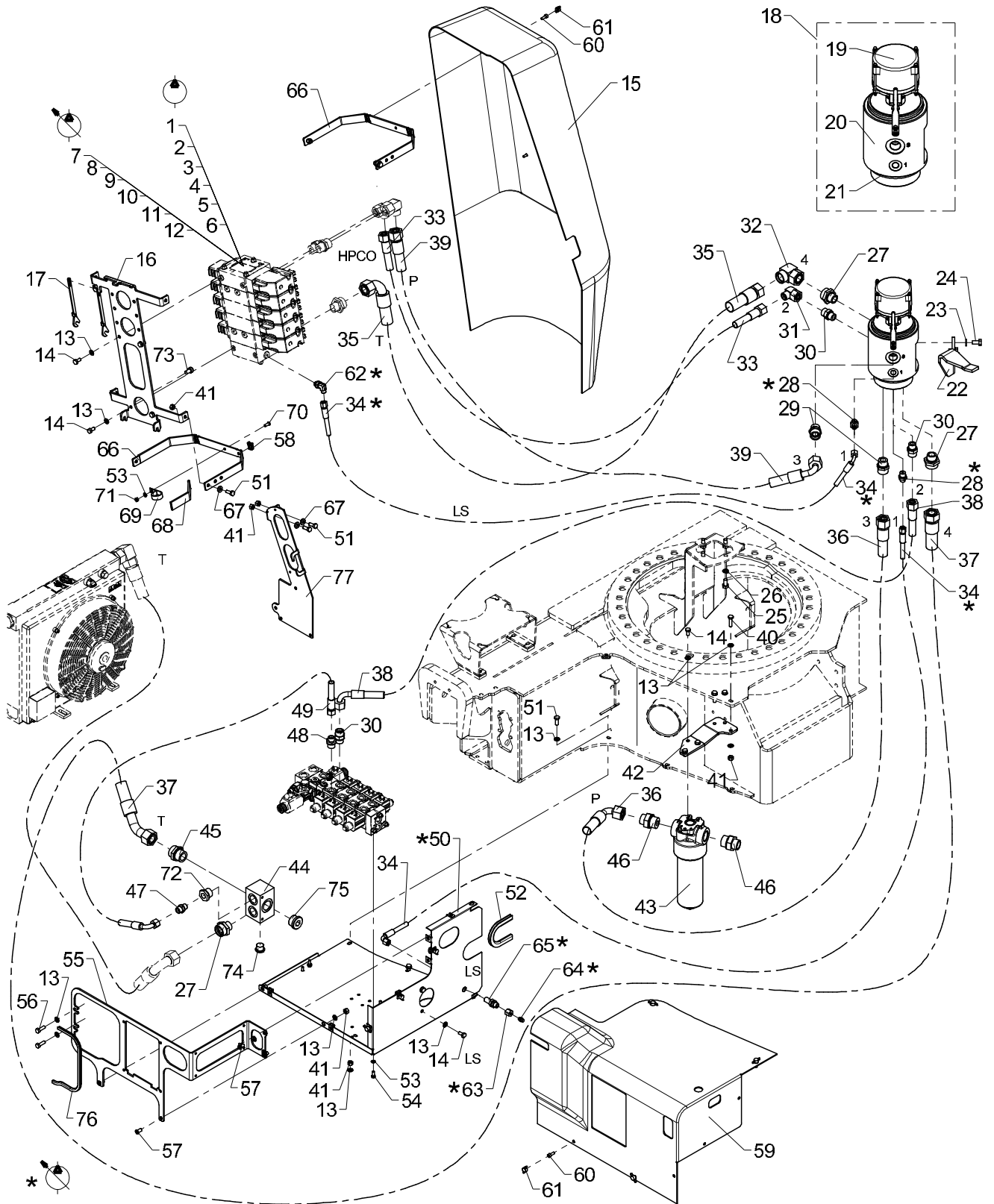
---

Pos	Qty.	Part no.	Description	Remarks
1	1	6394500		
2	4	6394509		A:35, R15, t1, ø12
3	2	6394512		A:35, R15, t1, ø12
4	10	31118		10 mm
5	6	30155	Set screw	M10 x 25
6	1	56539		1" x 1600mm L/90
7	1	26163	Connection	P-GEV 28 LR-WD
8	1	26818	Reducing connection	RED-R 1 1/4-WD/R 1
9	2	31564	Lock nut, stainless	M10
10	2	31520	Steel bolt, stainless	M10 x 40



# 32/222 PARTS

Internal ref. 63 94 630



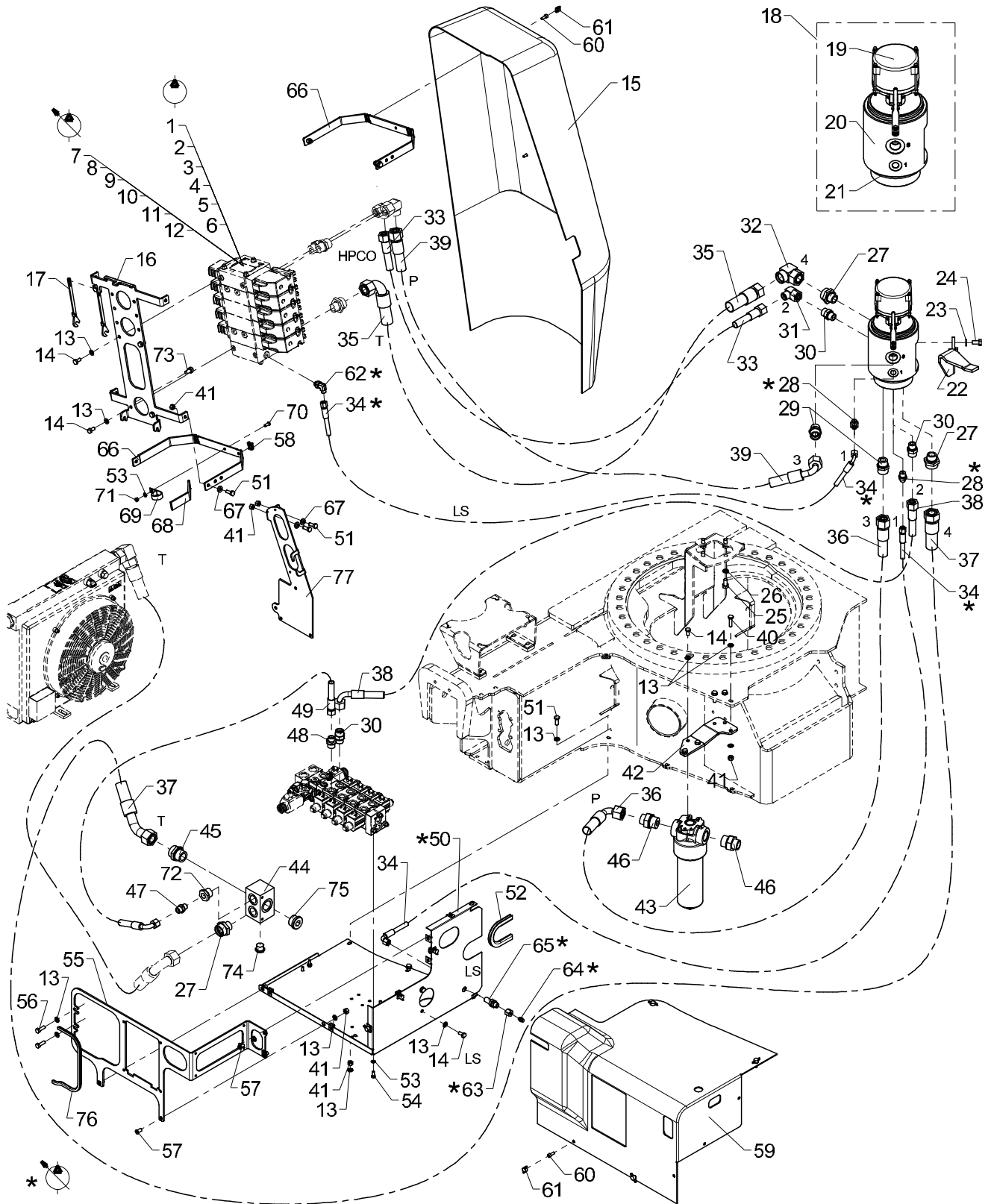
# Hydraulic system, pump and return hoses, 1 circuit

Pos	Qty.	Part no.	Description	Remarks
1	1	55602	Control valve	4 sekt.
2	1	55604	Control valve	5 sekt. Winch
3	1	55606	Control valve	5 sekt. 1 EXV
4	1	55608	Control valve	6 sekt. Winch+1 EXV
5	1	55610	Control valve	6 sekt. 2 EXV/FJ
6	1	55612	Control valve	7 sekt. Winch+2 EXV/FJ
7	1	55601	Control valve	4 sekt.
8	1	55603	Control valve	5 sekt. Winch
9	1	55605	Control valve	5 sekt. 1 EXV
10	1	55607	Control valve	6 sekt. Winch+1 EXV
11	1	55609	Control valve	6 sekt. 2 EXV/FJ
12	1	55611	Control valve	7 sekt. Winch+2 EXV/FJ
13	27	31147	Face washer, 8 mm	
14	9	30131	Set screw, stainless	M8 x 16
15	1	64434		
16	1	6394176		
17	2	6390067	Lever	
18	1	49216	Swivel coupling	
19	1	49237	Electric part, swivel coupling	
20	1	49235	Hydraulic part,swivel coupling	
21	1	49247	Seal kit	
22	1	6394087	Carrier fitting	
23	4	31565	Washer, stainless	10 mm
24	4	31517	Set screw, stainless	M10 x 20
25	4	30154	Set screw	M10 x 20
26	4	30933	Nordlock washer	10 mm
27	3	26845	Connection	GES 28 LR 3/4-WD
28	2	25244	Connection	GES 8 LR 3/8-WD
29	2	26197	Connection	P-GEV 20 SR-WD
30	3	26334	Connection	P-GEV 16 SR-WD
31	1	26340	Elbow connection	EWSD 16 S
32	1	26817	Elbow connection	P-EWV 28 L-SV
33	1	62690	Hose	1/2 x 850mm L/L
34	2	56520		1/4 x 900mm L/90
35	1	56590	Hose	1" X 580 mm L/90
36	1	62625	Hose	5/8 x 1000mm L/90
37	1	56533	Hose	1" x 950mm L/45
38	1	62686	Hose	1/2 x 1100mm L/90
39	1	56083	Hose	5/8 x 1200mm L/90
40	3	30135	Set screw, stainless	M8 x 30
41	14	30886	Lock nut, stainless	M8



# 32/222 PARTS

Internal ref. 63 94 630





## Hydraulic system, pump and return hoses, 1 circuit

Pos	Qty.	Part no.	Description	Remarks
42	1	6394042	Bracket for filter	
43	1	49401	High pressure filter	
44	1	6340844	Connecting block	
45	1	26163	Connection	P-GEV 28 LR-WD
46	2	26851	Connection	GES 20 SR 1-WD
47	1	25127	Connection	P-GEV 12 LR-WD
48	1	25108	Connection	GES 12 LR 1/2-WD
49	1	0017000	Hose	
50	1	6394041	Valve bracket	
51	9	30133	Set screw, stainless	
52	1	46587	Rubber protection	235 mm
53	5	32302	Face washer, stainless	6 mm
54	4	30112	Set screw, stainless	M6 x 16
55	1	6394043	Bracket for RCL	
56	2	30134	Set screw, stainless	M8 x 25
57	4	32481	Screw	MCL8 x 16
58	10	31068	Clip	M6 0,5 - 4,0 mm.
59	1	64433	Protection	
60	11	31539	Screw, stainless	MC6 x 16
61	11	64353	Thumb screw	M6
62	1	26898	Elbow connection	8 mm - 1/4"
63	1	25181	Coupling nut	M 8 L
64	1	26166	Blanking plug	VSD 8 L
65	1	25261	Bulkhead connection	P-GSV 8 L
66	2	6394218		
67	6	31754	Washer	8,4 x 18 x 2
68	2	29457		
69	1	31886	Clip	
70	1	32490	Screw	MCL6 x 16
71	1	30854	Nut, stainless	M6
72	1	26319	Reducing connection	RED-R 3/4-WD/R 3/8
73	1	31035		M10 x 16
74	1	25103	Plug	VS-R-1/2 WD
75	1	26321	Plug	VS-R 1" WD
76	1	46586	Rubber protection	390 mm
77	1	6394219		Til IO modul og FJ-kasse



540 06 070

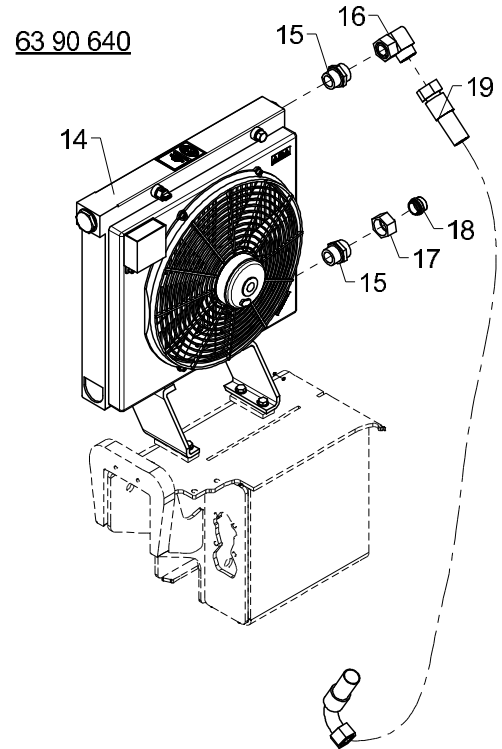
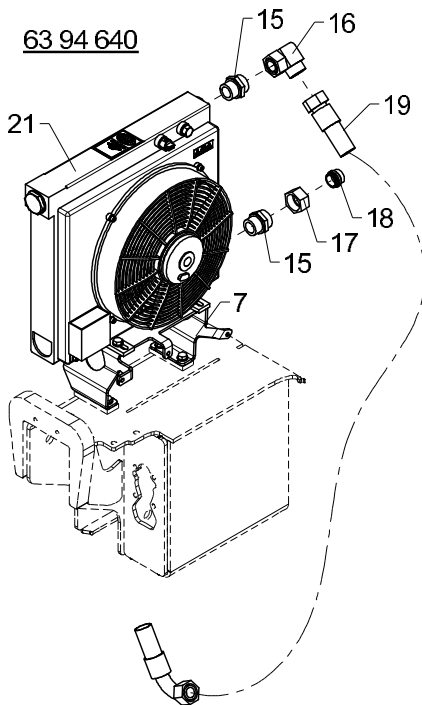
### 32/222 PARTS

63 94 640

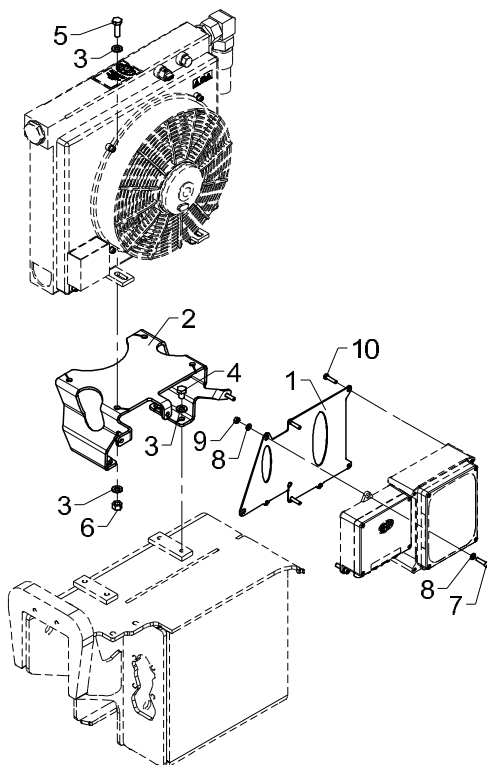
63 90 640

63 94 680

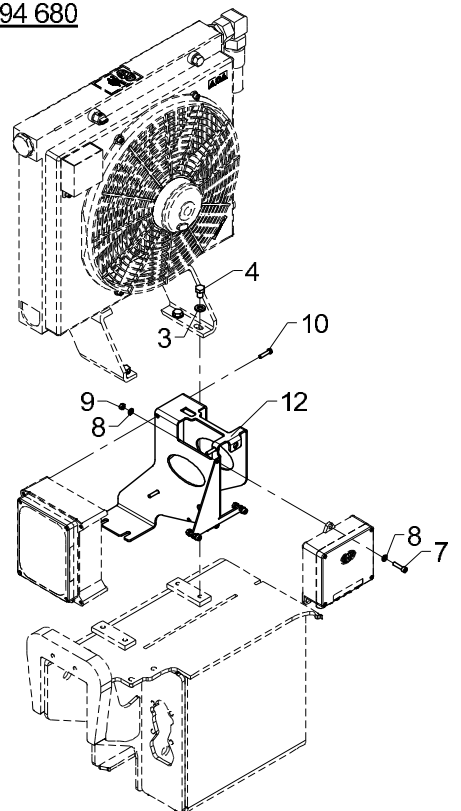
Internal ref. 63 94 660



63 94 660



63 94 680



**540 06 070**

From loader 1130001

To loader

Created 20-03-2013

Modified

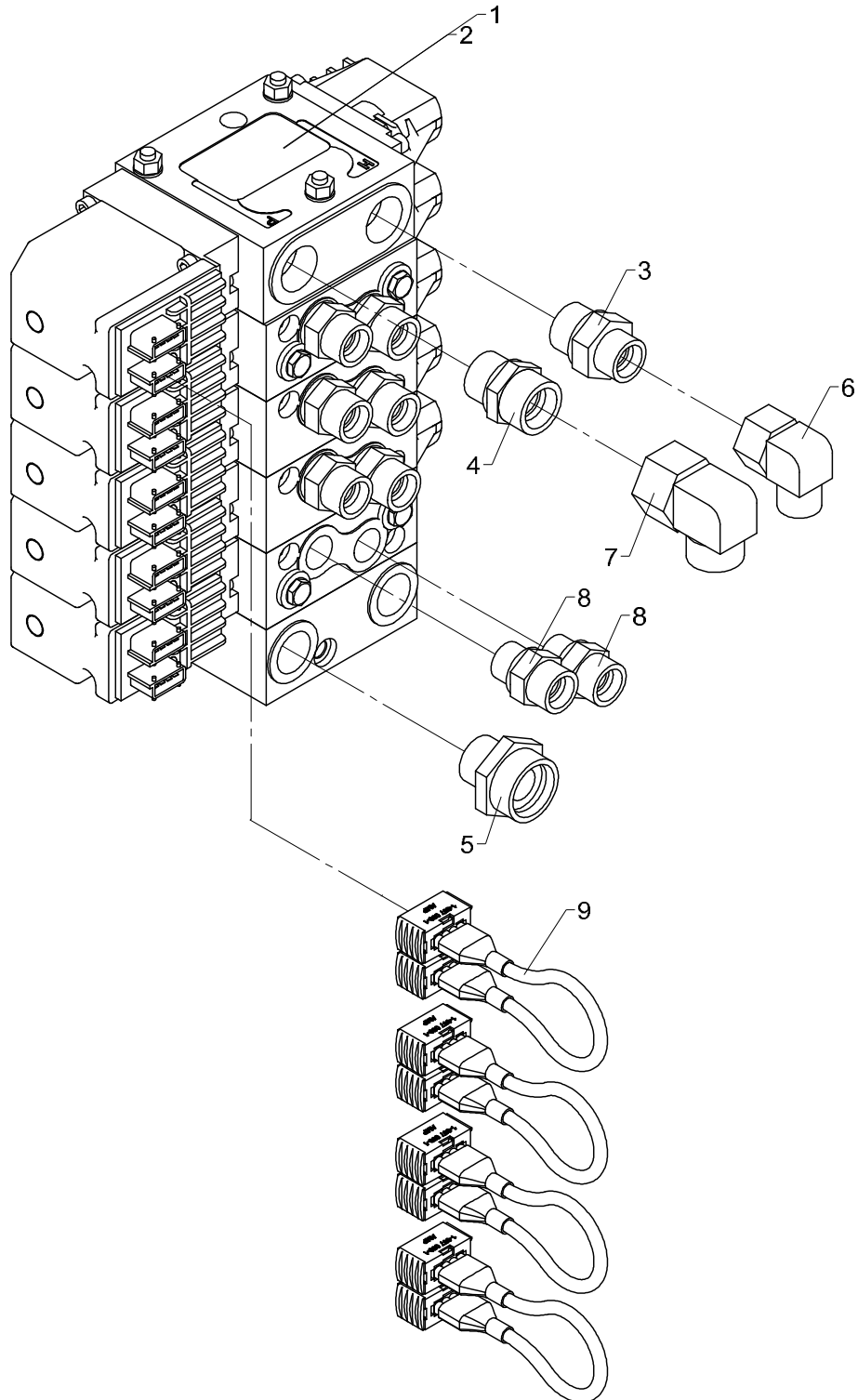
Pos	Qty.	Part no.	Description	Remarks
		6394660		
		6394680		Til oliøkøler stor + ingen oliøkøler
		6390640	Oil collar, complete	
		6394640		
1	1	6394241		
2	1	6394242		
3	12	31565	Washer, stainless	10 mm
4	4	30152	Set screw	M10 x 14
5	4	30156	Set screw, stainless	M10 x 30
6	4	31564	Lock nut, stainless	M10
7	3	30962	Screw	MC6 x 25
8	6	32302	Face washer, stainless	6 mm
9	3	30854	Nut, stainless	M6
10	4	30340	Screw, stainless	6,0 x 25
11	1	6394680		
12	1	6301991		
13	1	6390640	Oil collar, complete	
14	1	50262	Oil cooler, 24 V + Smartdrive	
15	2	26163	Connection	P-GEV 28 LR-WD
16	1	26817	Elbow connection	P-EWV 28 L-SV
17	1	26108	Coupling nut	M 28 L
18	1	26347	Blanking plug	VSD 28 L
19	1	56534	Hose	1" x 1600mm L/90
20	1	6394640		
21	1	50260	Oil cooler, 24 V + Smartdrive	



540 06 300

### 32/222 PARTS

66 52 120  
Internal ref. 66 52 080



**540 06 300**

From loader 1130001

To loader

Created 27-02-2013

Modified

## Valve block, 4 sects. fixed/variable

---

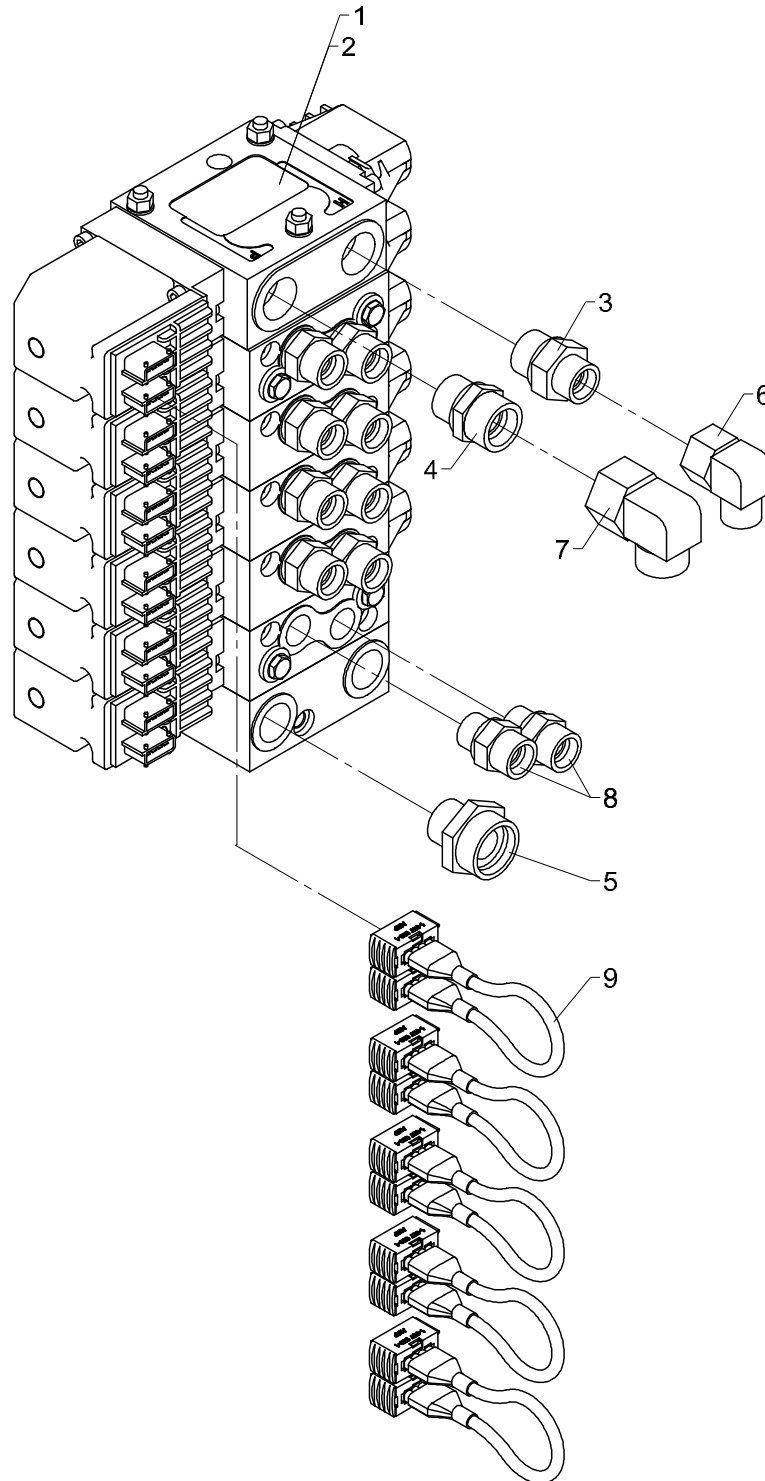
Pos	Qty.	Part no.	Description	Remarks
1	1	55602	Control valve	4 sekt.
2	1	55601	Control valve	4 sekt.
3	1	26390	Connection	P-GEV 16 SR 3/4-WD
4	1	26197	Connection	P-GEV 20 SR-WD
5	1	26845	Connection	GES 28 LR 3/4-WD
6	1	26340	Elbow connection	EWSD 16 S
7	1	26198	Elbow connection	EWVD 20 S-SV
8	8	26334	Connection	P-GEV 16 SR-WD
9	4	62296	Cable	



540 06 310

### 32/222 PARTS

66 52 140  
Internal ref. 66 52 100



**540 06 310**

From loader 1130001

To loader

Created 27-02-2013

Modified

## Valve block, 5 sects. fixed/variable

---

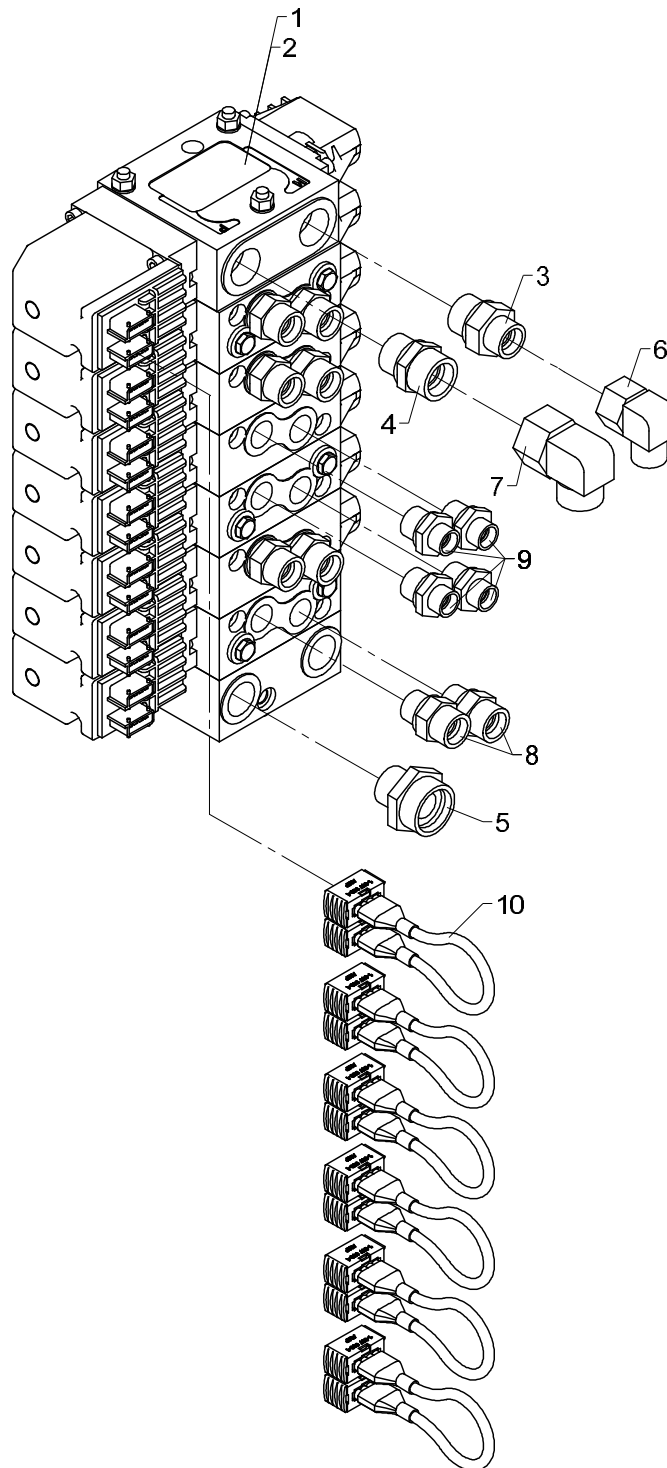
Pos	Qty.	Part no.	Description	Remarks
1	1	55604	Control valve	5 sekt. Winch
2	1	55603	Control valve	5 sekt. Winch
3	1	26390	Connection	P-GEV 16 SR 3/4-WD
4	1	26197	Connection	P-GEV 20 SR-WD
5	1	26845	Connection	GES 28 LR 3/4-WD
6	1	26340	Elbow connection	EWSD 16 S
7	1	26198	Elbow connection	EWVD 20 S-SV
8	10	26334	Connection	P-GEV 16 SR-WD
9	5	62296	Cable	



540 06 340

### 32/222 PARTS

66 52 130  
Internal ref. 66 52 090





**540 06 340**

From loader 1130001

To loader

**Valve block, 6 sects. EXV, fixed/variable**

Created 27-02-2013

Modified

---

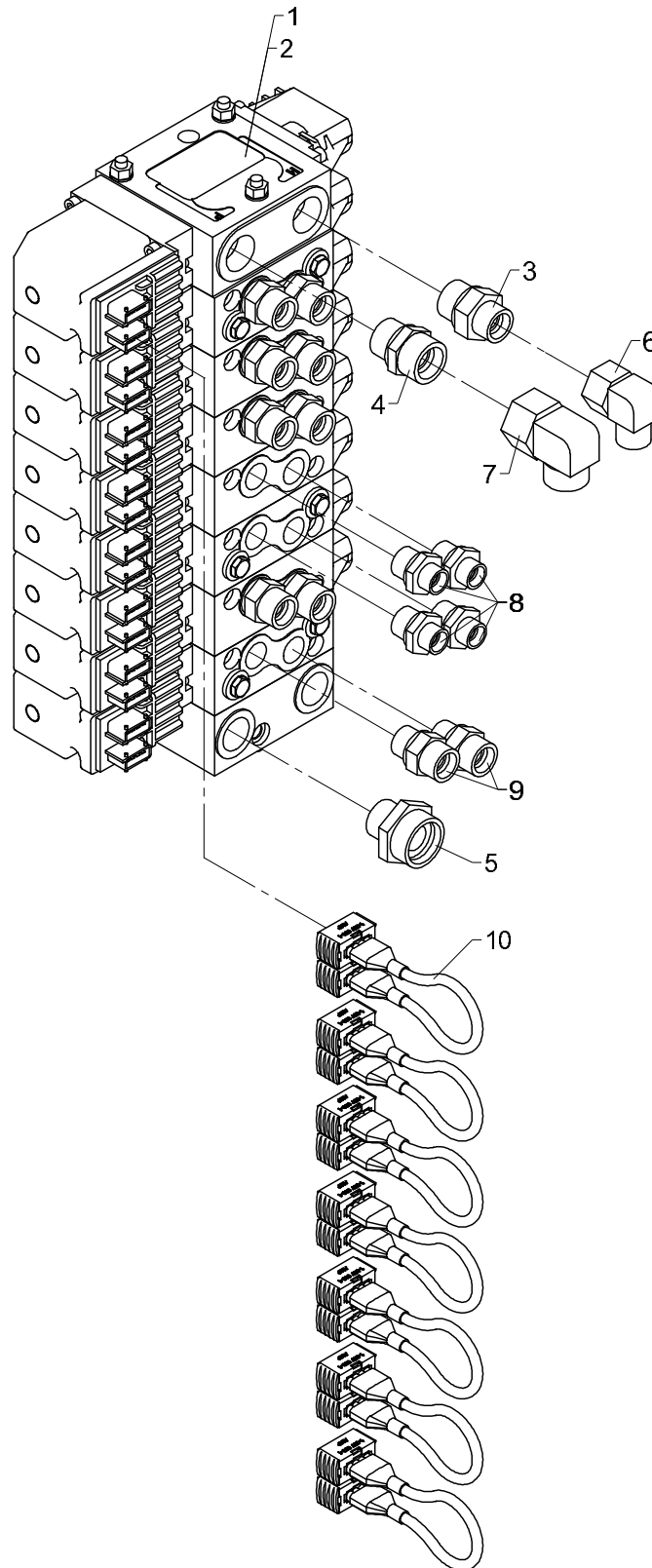
Pos	Qty.	Part no.	Description	Remarks
1	1	55610	Control valve	6 sekt. 2 EXV/FJ
2	1	55609	Control valve	6 sekt. 2 EXV/FJ
3	1	26390	Connection	P-GEV 16 SR 3/4-WD
4	1	26197	Connection	P-GEV 20 SR-WD
5	1	26845	Connection	GES 28 LR 3/4-WD
6	1	26340	Elbow connection	EWSD 16 S
7	1	26198	Elbow connection	EWVD 20 S-SV
8	8	26334	Connection	P-GEV 16 SR-WD
9	4	25108	Connection	GES 12 LR 1/2-WD
10	6	62296	Cable	



540 06 350

### 32/222 PARTS

66 52 150  
Internal ref. 66 52 110



**540 06 350**

From loader 1130001

To loader

**Valve block, 7 sects. EXV, fixed/variable**

Created 27-02-2013

Modified

---

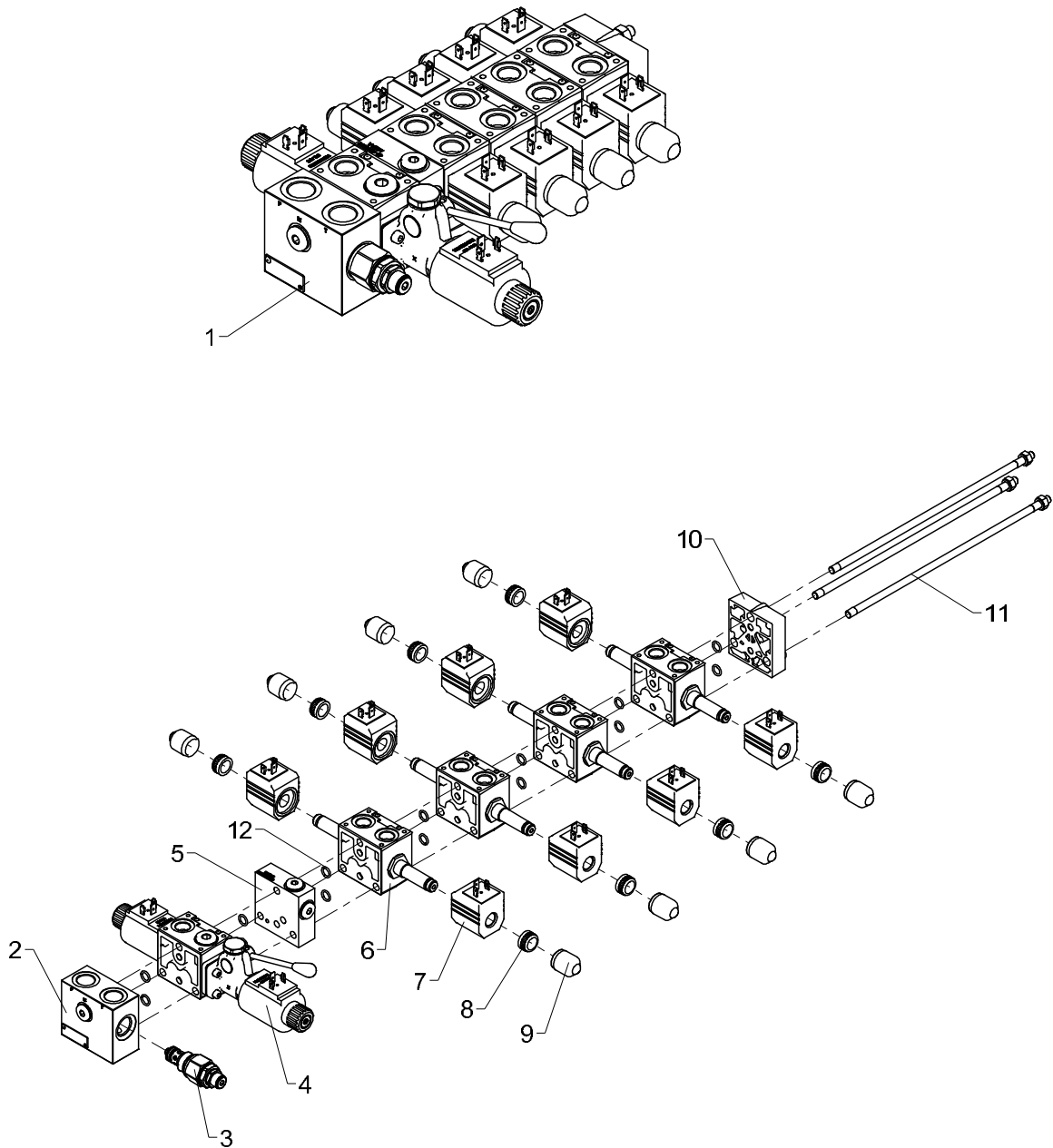
Pos	Qty.	Part no.	Description	Remarks
1	1	55612	Control valve	7 sekt. Winch+2 EXV/FJ
2	1	55611	Control valve	7 sekt. Winch+2 EXV/FJ
3	1	26390	Connection	P-GEV 16 SR 3/4-WD
4	1	26197	Connection	P-GEV 20 SR-WD
5	1	26845	Connection	GES 28 LR 3/4-WD
6	1	26340	Elbow connection	EWSD 16 S
7	1	26198	Elbow connection	EWVD 20 S-SV
8	4	25108	Connection	GES 12 LR 1/2-WD
9	10	26334	Connection	P-GEV 16 SR-WD
10	7	62296	Cable	



540 06 400

# 32/222 PARTS

Internal ref. 99 99 700



**540 06 400**

From loader 1130001

To loader

Created 20-03-2013

Modified

## Valve block (stabilizer control valve)

---

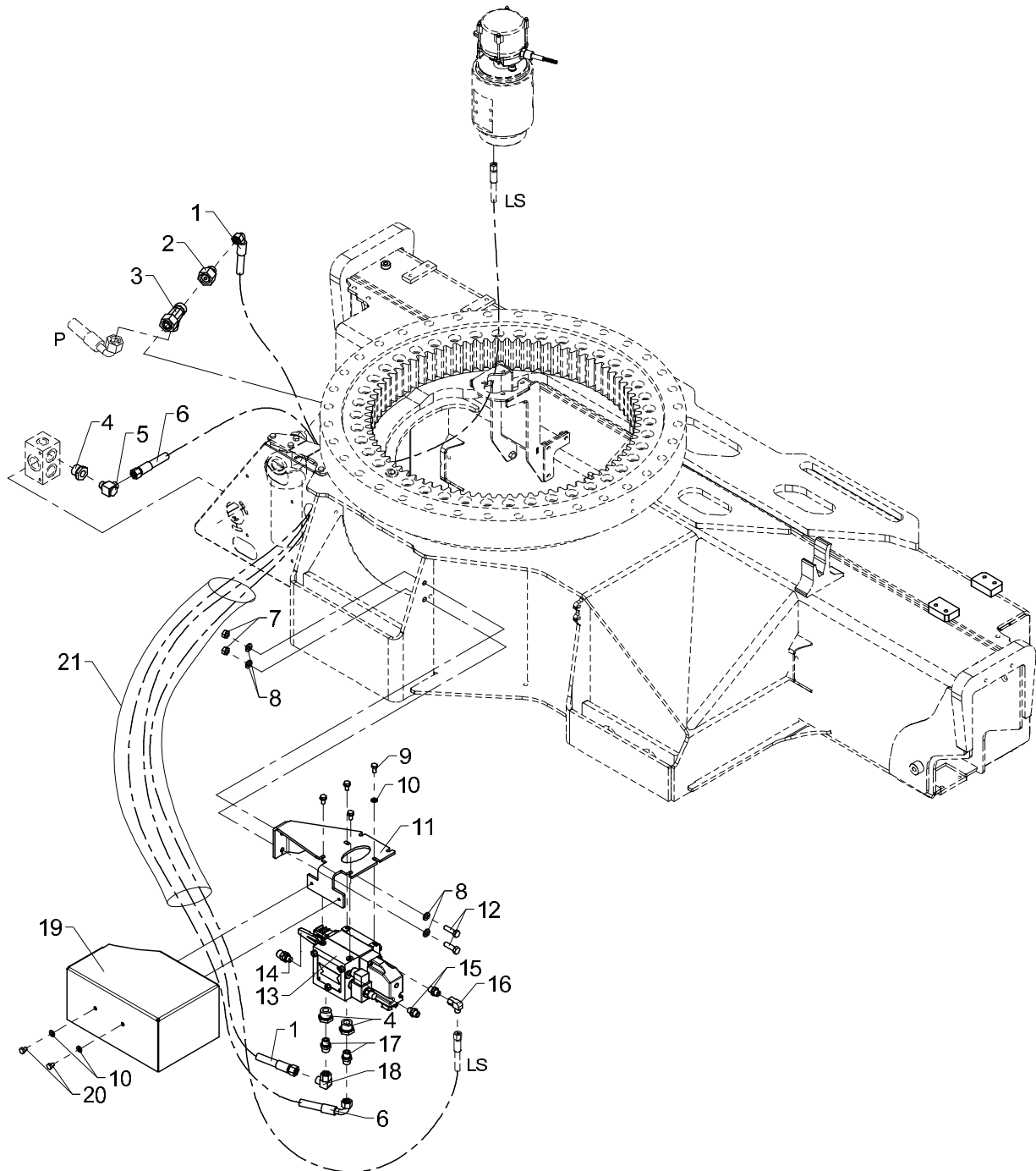
Pos	Qty.	Part no.	Description	Remarks
1	1	50510	Stabilizer valve	
2	1	50530		
3	1	50531		
4	1	50532		
5	1	50533		
6	4	50534		
7	8	50535		
8	8	50536		
9	8	50537		
10	1	50538		
11	1	50539		
12	14	50540		



540 06 540

# 32/222 PARTS

Internal ref. 63 90 410



**540 06 540**

From loader 1130001

To loader

**Extra RC-function on the base**

Created 16-08-2010

Modified 20-06-2011

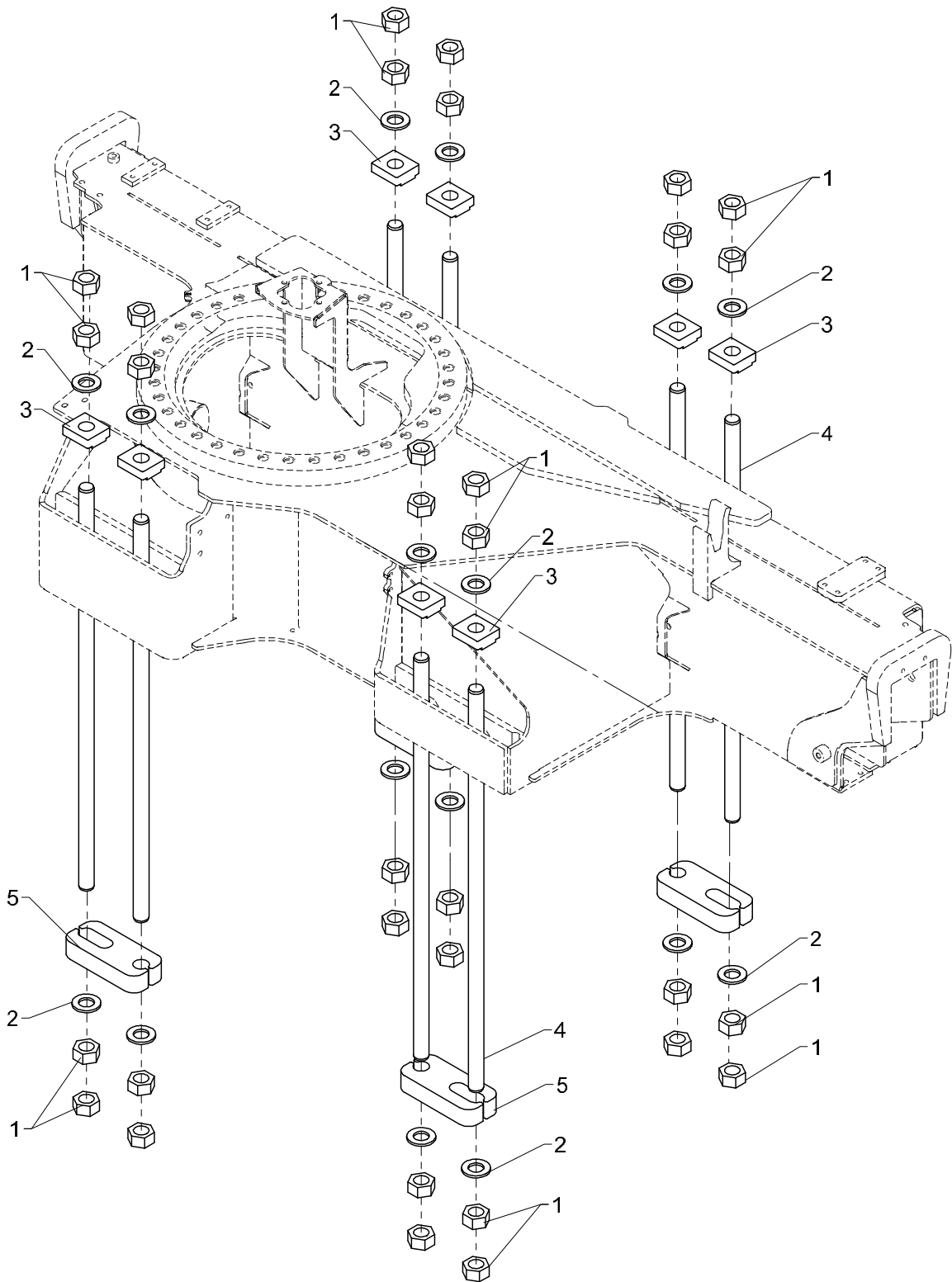
Pos	Qty.	Part no.	Description	Remarks
1	1	56402	Hose	3/8 X 1250 mm 90 gr/L
2	1	26873	Reducing connection	REDSN 20/12 S
3	1	26362	Connection	ELSD 20 S
4	3	26319	Reducing connection	RED-R 3/4-WD/R 3/8
5	1	25130	Banjo connection	RSWV 12 LR
6	1	0015030	Hose	
7	2	30858	Nut	M10
8	4	31565	Washer, stainless	10 mm
9	4	30131	Set screw, stainless	M8 x 16
10	6	31147	Face washer, 8 mm	
11	1	6302978	Valve bracket	
12	2	30157	Set screw	M10 x 35
13	1	55625	Control valve	
14	1	26103	Pressure-gauge connect.	
15	2	25109	Connection	GES 8 LR-WD
16	1	26170	Elbow connection	EWSD 8 L
17	2	25127	Connection	P-GEV 12 LR-WD
18	1	25242	Elbow connection	EWSD 12 L
19	1	6302979	Valve protection	
20	2	30105	Set screw, stainless	M8 x 10
21	1	62587	Protective cover	



540 07 050

### 32/222 PARTS

Internal ref. 66 68 710





**540 07 050**

From loader 1130001

To loader

Created 20-03-2013

Modified

## Mounting kit

---

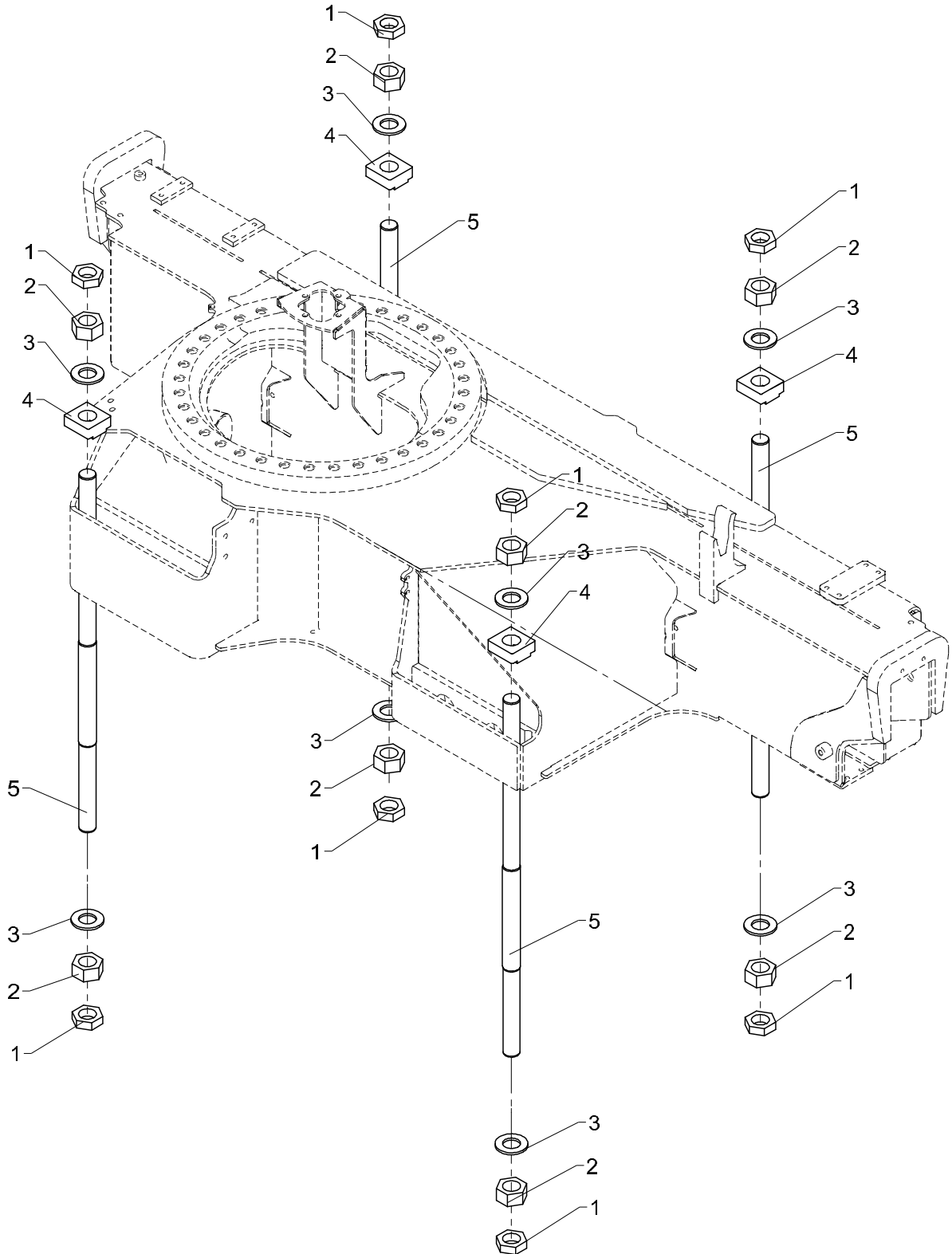
Pos	Qty.	Part no.	Description	Remarks
1	32	32313	Nut	M30 x 2
2	16	31771	Washer	30 mm
3	8	6394179		
4	8	6886894	Mounting bolt	L = 950 mm
5	4	6658104	Clamp	



540 07 060

# 32/222 PARTS

Internal ref. 66 68 720



**540 07 060**

From loader 1130001

To loader

Created 20-03-2013

Modified

## Mounting kit

---

Pos	Qty.	Part no.	Description	Remarks
1	8	31057	Counter nut	M36 x 2
2	8	32343	Nut	M36 x 2
3	8	31059	Washer	36 mm
4	4	6302496	Mounting plate	
5	4	32908	Mounting bolt	870 mm



# 32/222 PARTS

Internal ref. 99 99 100



**540 07 080**

From loader 1130001

To loader

Created 05-07-2012

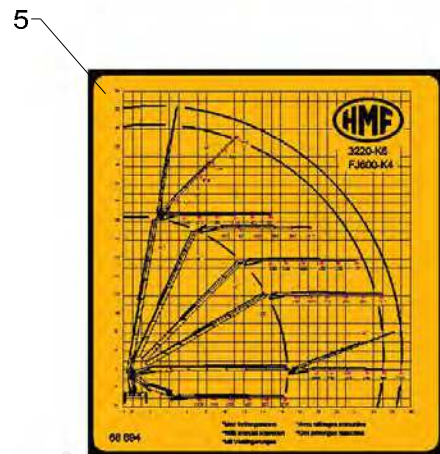
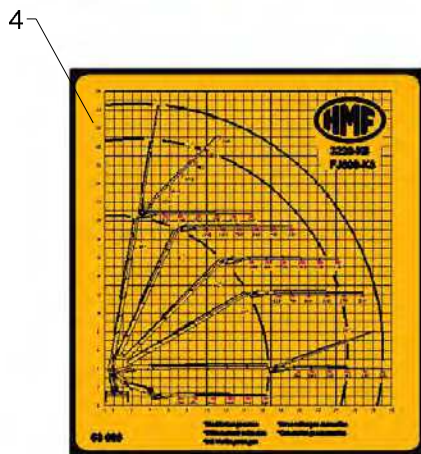
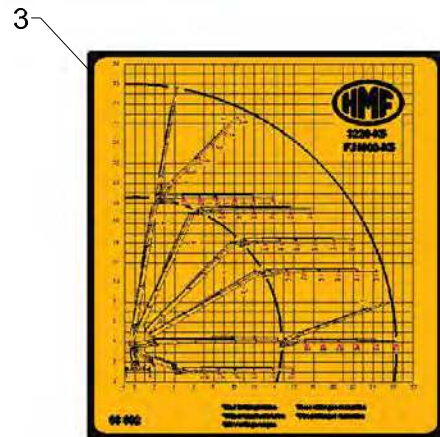
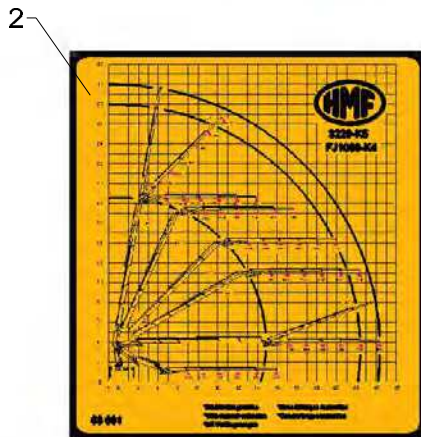
Modified 08-01-2013

Pos	Qty.	Part no.	Description	Remarks
1	1	64797	Type plate, incl. CE	
2	1	66837		
3	1	66465	Label, "LUBRICATION,TURNTABLE"	
4	2	66462	"NEVER WALK UNDER LOAD"	
5	2	66463	Label"SWING-UP STABILIZER LEG"	
6	2	66469	Label - "Danger - squeezing"	
7	1	68595	Lubricating label 4720/3820	
8	1	66464	Label "NO STEP"	
9	1	66466	Label, "HOOK FORBIDDEN"	
10	1	66459	Label "LOCKING DEVICE CLOSED"	
11	2	65507	Label	6689124
12	1	66454	Operating label	
13	8	66598	Marking tape - dark-yellow	



32/222 PARTS

Internal ref. 99 99 150



6

#	2752	3381	3750	5046	6680	12716	1660	610	780
K1	4,2	5,5	5,1	15,4	15,5	14,8	18,2	18,3	21,5
K2	4,7	5,3	5,4	16,2	12,4	14,3	16,7	18,6	19,3
K3	4,6	5,4	5,3	16,3	12,4	14,1	14,5	16,2	16,2
K4	4,6	5,4	5,3	16,3	12,4	14,1	14,5	16,2	16,2
K5	4,6	5,4	5,3	16,3	12,4	14,1	14,5	16,2	16,2
K6	4,6	5,4	5,3	16,3	12,4	14,1	14,5	16,2	16,2
K7	4,6	5,4	5,3	16,3	12,4	14,1	14,5	16,2	16,2
K8	4,6	5,4	5,3	16,3	12,4	14,1	14,5	16,2	16,2
K9	4,6	5,4	5,3	16,3	12,4	14,1	14,5	16,2	16,2
K10	4,6	5,4	5,3	16,3	12,4	14,1	14,5	16,2	16,2
K11	4,6	5,4	5,3	16,3	12,4	14,1	14,5	16,2	16,2
K12	4,6	5,4	5,3	16,3	12,4	14,1	14,5	16,2	16,2

HMF 3220

7

SWL 7T

**540 07 090**

From loader 1130001

To loader

Created 20-03-2013

Modified

---

Pos	Qty.	Part no.	Description	Remarks
1	1	68689		
2	1	68691		
3	1	68692		
4	1	68693		
5	1	68694		
6	1	68695		
7	1	66917		



### 32/222 PARTS

Internal ref. 99 99 160

1  
Max. 450 KG.  
85 115

2  
Max. 590 KG  
85 915

6  
Max. 1100 KG  
85 127

3  
Max. 625 KG  
86 824

7  
Max. 1500 KG  
85 199

4  
Max. 680 KG  
85 914

8  
Max. 2400 KG  
86 818

5  
Max. 900 KG.  
85 80 504

9  
Max. 3500 KG  
86 835



**540 07 100**

From loader 1130001

To loader

Created 20-03-2013

Modified

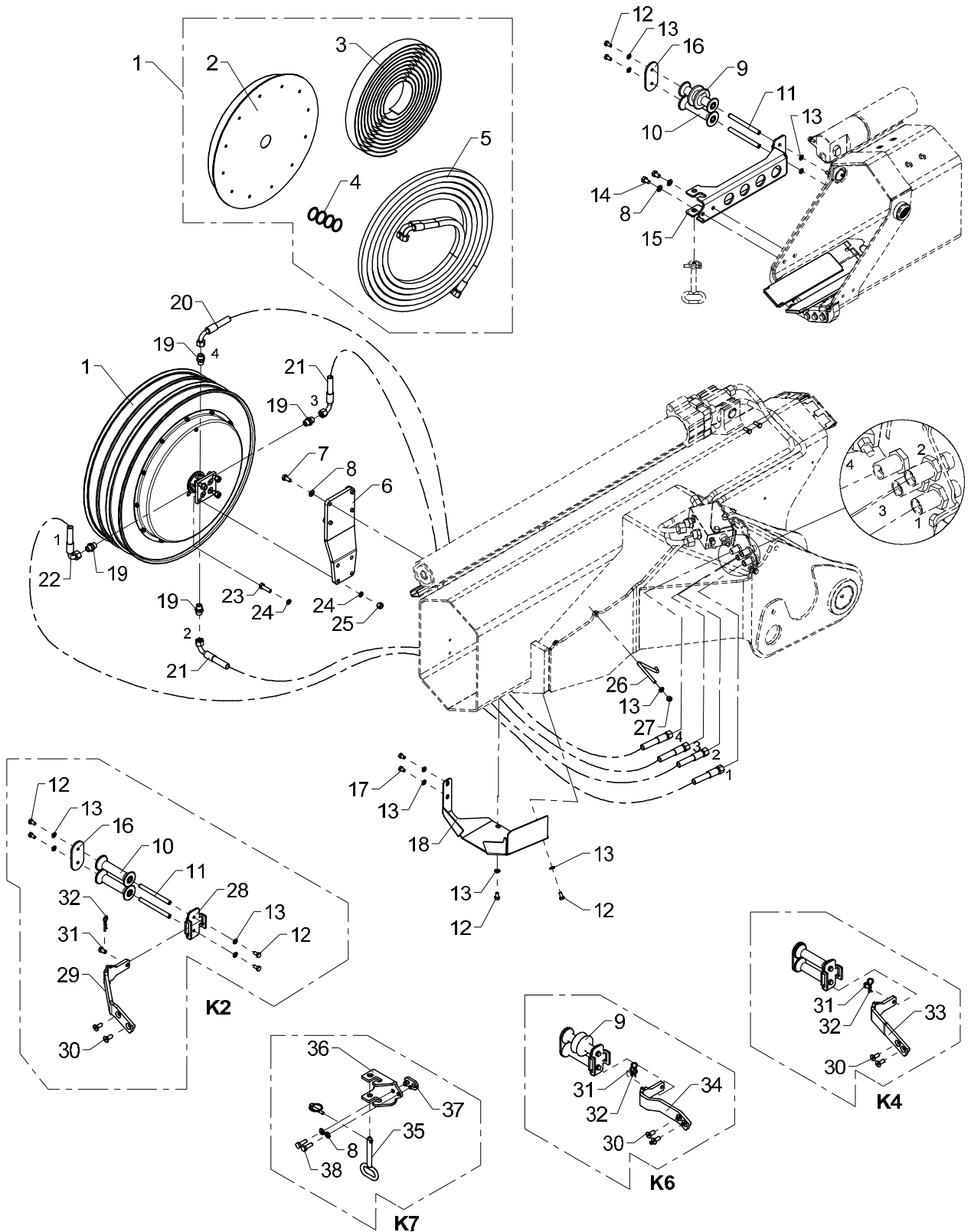
---

Pos	Qty.	Part no.	Description	Remarks
1	2	65115	Label, max. 450 kg	
2	2	66915		
3	2	68624		
4	2	66914		
5	2	65151	Label. max. 900 kg	
6	2	65127	Label. max. 1100 kg	
7	2	65199	Label. max. 1500 kg	
8	2	66916		
9	2	66538	Label, max. 3500 kg	



# 32/222 PARTS

Internal ref. 63 94 690



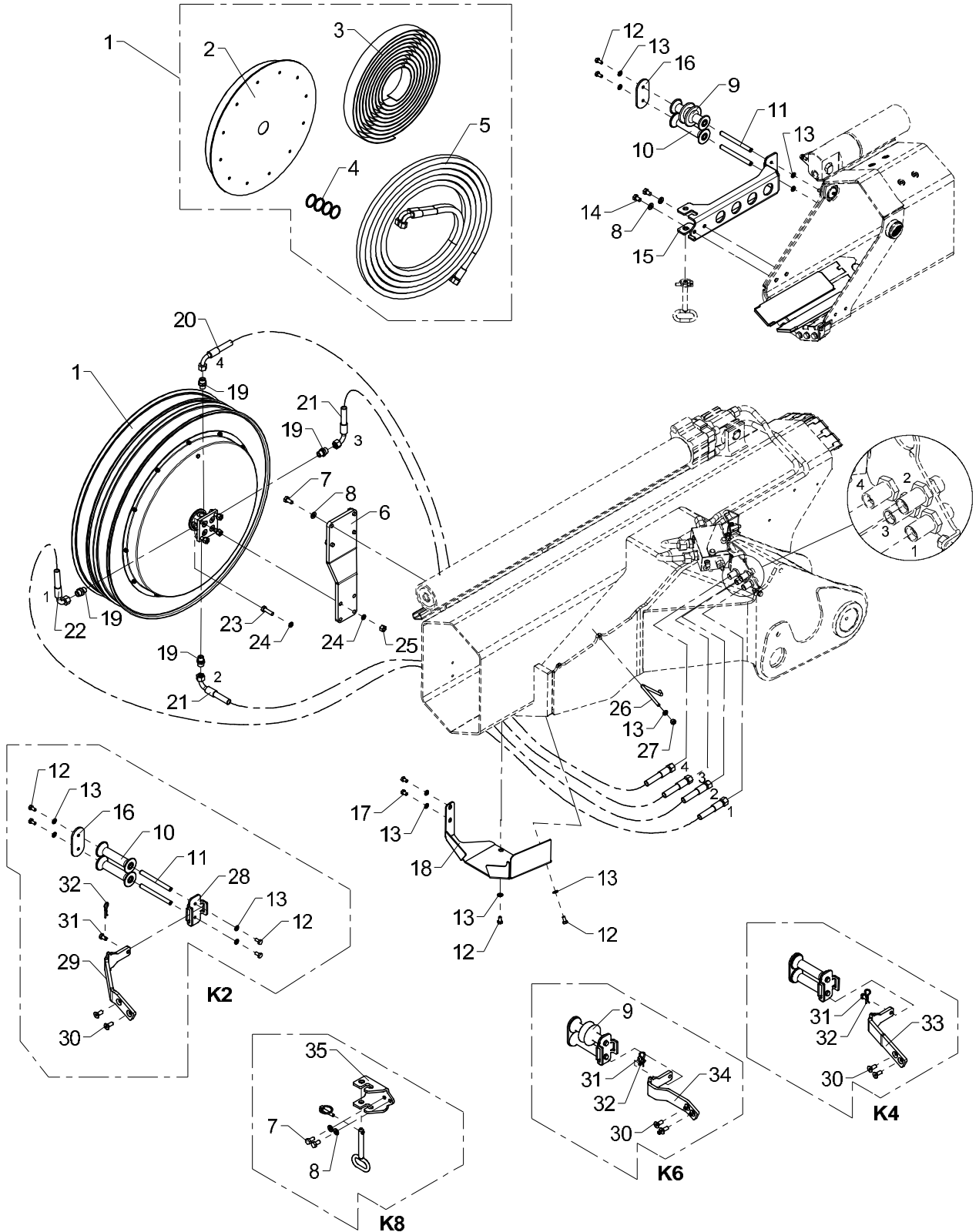
**2 extra valves, hose reel K7**

Pos	Qty.	Part no.	Description	Remarks
1	1	56295	Hose reel, double	3/8" x 17000 mm
2	1	56346	Spring container	
3	1	56345	Spring	
4	1	56482	Seal kit	
5	1	56312	Double hose	
6	1	6390045	Bracket for hose reel	
7	4	31517	Set screw, stainless	M10 x 20
8	8	31177	Washer	10 mm
9	2	63600	Guide roller	
10	6	63510	Guide roller	
11	8	6302883	Pin	
12	18	30131	Set screw, stainless	M8 x 16
13	21	31147	Face washer, 8 mm	
14	2	30153	Set screw	M10 x 16
15	1	6302877	Attachment - jib	
16	4	6302882	End plate	
17	2	30130	Set screw, stainless	M8 x 12
18	1	6394048		
19	4	25127	Connection	P-GEV 12 LR-WD
20	1	0017700	Hose	3/8" x 1800 mm L/90°
21	2	0017530	Hose	3/8" x 1700 mm L/90°
22	1	0015020	Hose	3/8" x 1600 mm L/90°
23	4	30157	Set screw	M10 x 35
24	8	31156	Spring washer	10 mm
25	4	30888	Lock nut	
26	1	6390049	Hose clamp	
27	1	30886	Lock nut, stainless	M8
28	3	6302881	Plate	
29	1	6394356	Cable socket	
30	6	30546	Countersunk screw	MK10 x 25
31	3	6302896	Lock pin	
32	3	33379	Spring	
33	1	6394357		
34	1	6394358		
35	1	1261144	Lock pin with chain	
36	1	6302926	Adapter - 5/6/8th extension	
37	1	6394511		A:25, R15, t7, ø12
38	2	30156	Set screw, stainless	M10 x 30



# 32/222 PARTS

Internal ref. 63 94 700



**2 extra valves, hose reel K8**

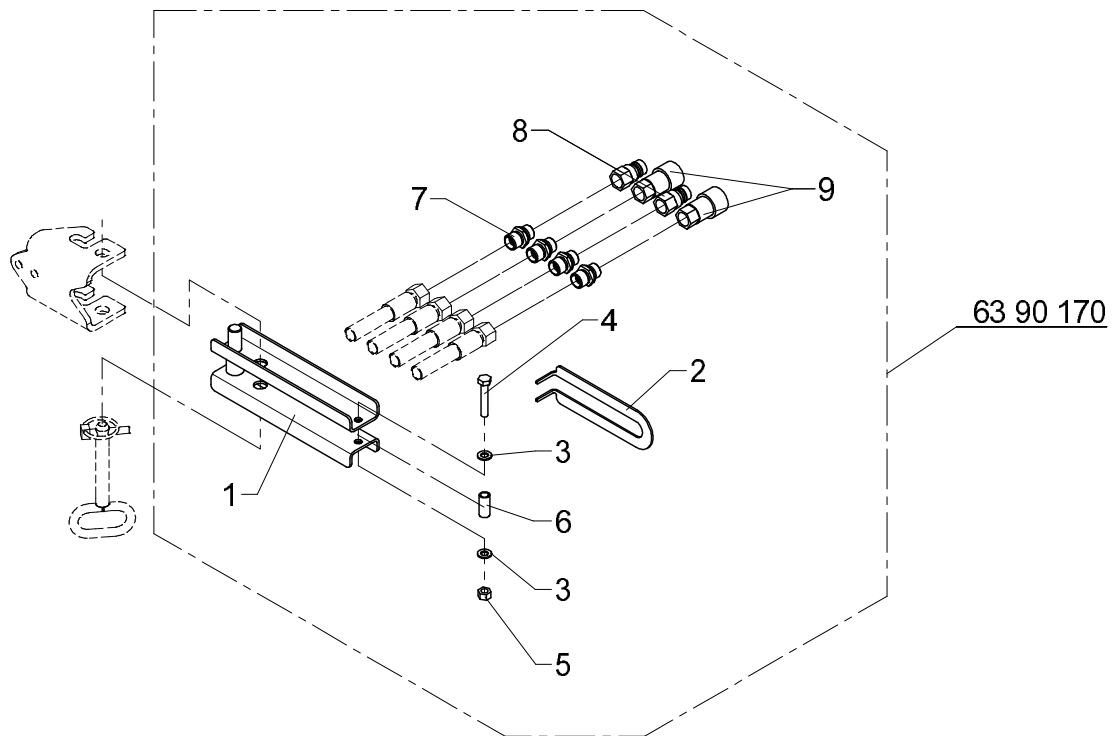
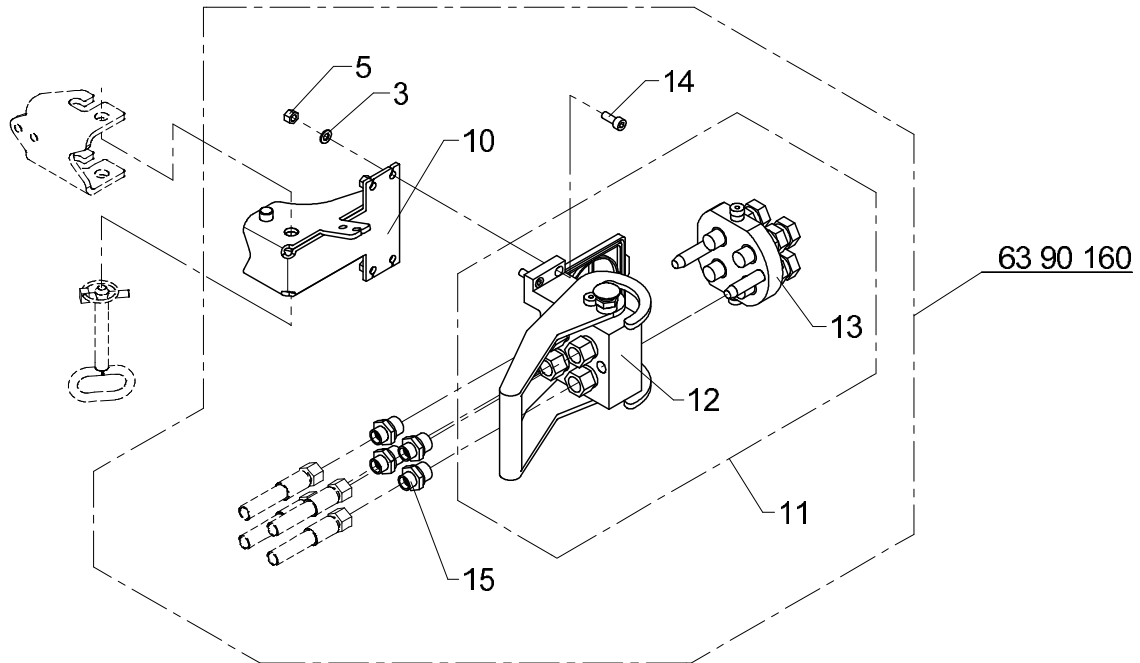
Pos	Qty.	Part no.	Description	Remarks
1	1	56320	Hose reel, double	3/8" x 22000 mm
2	1	56346	Spring container	
3	1	56345	Spring	
4	1	56482	Seal kit	
5	1	56312	Double hose	
6	1	6390061	Bracket for hose reel	
7	6	31517	Set screw, stainless	M10 x 20
8	8	31177	Washer	10 mm
9	2	63600	Guide roller	
10	6	63510	Guide roller	
11	8	6302883	Pin	
12	18	30131	Set screw, stainless	M8 x 16
13	21	31147	Face washer, 8 mm	
14	2	30153	Set screw	M10 x 16
15	1	6302877	Attachment - jib	
16	4	6302882	End plate	
17	2	30130	Set screw, stainless	M8 x 12
18	1	6394048		
19	4	25127	Connection	P-GEV 12 LR-WD
20	1	0017700	Hose	3/8" x 1800 mm L/90°
21	2	0017530	Hose	3/8" x 1700 mm L/90°
22	1	0015020	Hose	3/8" x 1600 mm L/90°
23	4	30157	Set screw	M10 x 35
24	8	31156	Spring washer	10 mm
25	4	30888	Lock nut	
26	1	6390049	Hose clamp	
27	1	30886	Lock nut, stainless	M8
28	3	6302881	Plate	
29	1	6394356	Cable socket	
30	6	30546	Countersunk screw	MK10 x 25
31	3	6302896	Lock pin	
32	3	33379	Spring	
33	1	6394357		
34	1	6394358		
35	1	6302926	Adapter - 5/6/8th extension	
36	1	1261144	Lock pin with chain	



540 09 510

### 32/222 PARTS

63 90 170  
Internal ref. 63 90 160



**540 09 510**

From loader 1130001

To loader

Created 16-08-2010

Modified

**Multi- and quick-release couplings for EXV K7  
and K8**

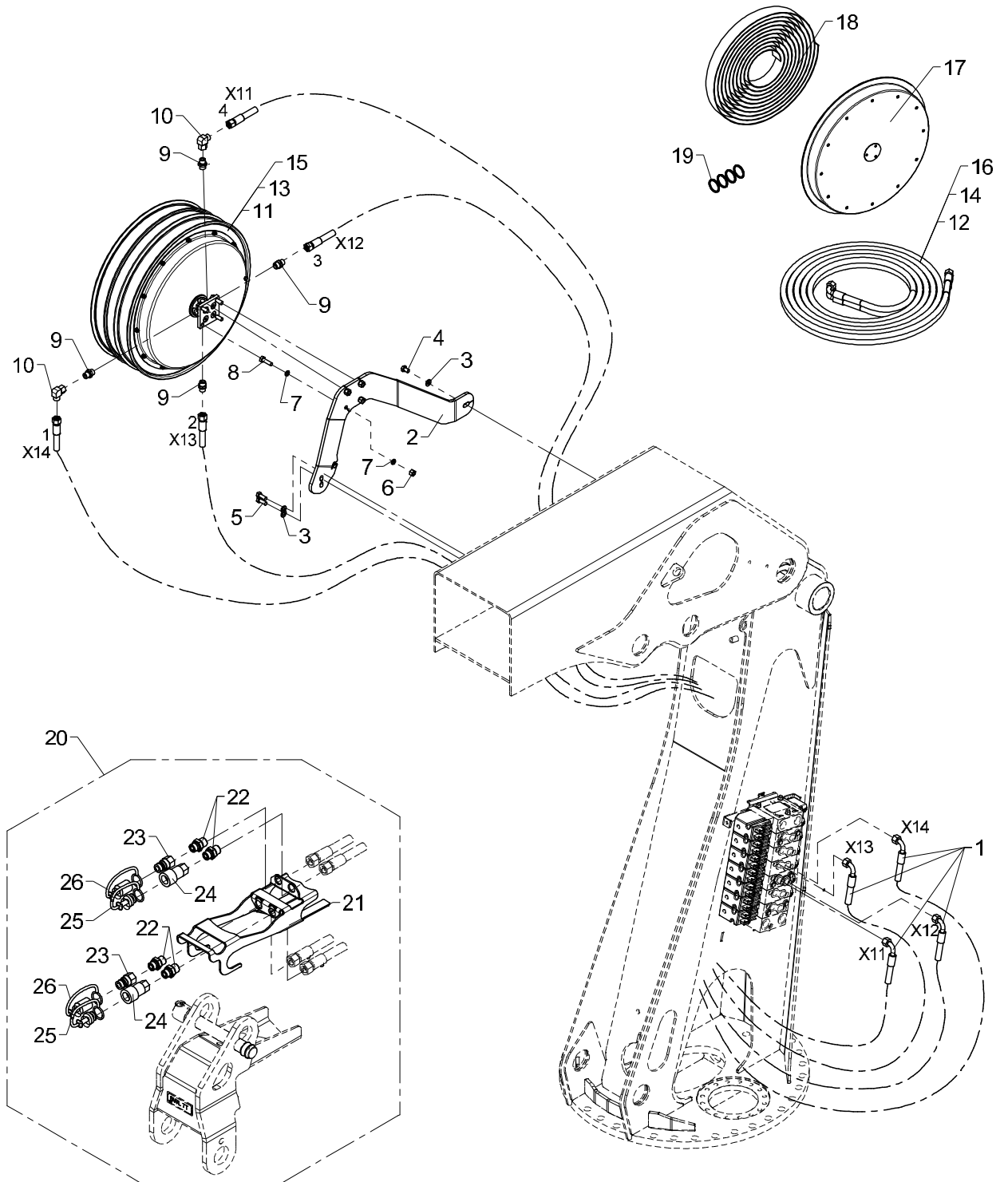
Pos	Qty.	Part no.	Description	Remarks
		6390160	Multi-coupling for EXV K7 + K8	
		6390170	Quick-release coupl. EXV K7+K8	
1	1	6390158	Clamp	
2	1	6302878	Bracket	
3	6	31147	Face washer, 8 mm	
4	1	30138	Steel bolt, stainless	M8 x 45
5	5	30886	Lock nut, stainless	
6	1	6302888	Pipe	
7	4	6661444	Socket	
8	2	60620	Quick-release coupling,M	3/8"
9	2	60619	Quick-release coupling,F	3/8"
10	1	6302927	Bracket	
11	1	58430	Multifaster coupling	1/2"
12	1	58432	Multifaster coupling	
13	1	58431	Multifaster coupling	
14	4	30438	Screw	MC8 x 20
15	4	25108	Connection	GES 12 LR 1/2-WD



540 09 530

### 32/222 PARTS

63 95 150  
Internal ref. 63 95 140





## Internal hose routing, cpl. 2 EXV

Pos	Qty.	Part no.	Description	Remarks
		6395140		
		6395150		
1	4	56927	Hose	3/8 X 1250 mm 90 gr/L
2	1	6394089	Bracket for hose reel	
3	3	31177	Washer	10 mm
4	1	31510	Set screw, stainless	M10 x 16
5	2	31513	Set screw, stainless	M10 x 25
6	4	30888	Lock nut	
7	8	31156	Spring washer	10 mm
8	4	30157	Set screw	M10 x 35
9	4	25127	Connection	P-GEV 12 LR-WD
10	2	25242	Elbow connection	EWSD 12 L
11	1	56294	Hose reel, double	højre - M4D520.10.B2 (k2+k3)
12	1	56308	Hose	3/8"B2 x 12400 mm
13	1	56319	Hose reel, double	højre - M4D570.10.B2 (k4+k5)
14	1	56310	Double hose	3/8"B2 x 15000 mm
15	1	56295	Hose reel, double	højre - M4D600.10.B2 (k6)
16	1	56312	Double hose	3/8"B2 x 17000 mm
17	1	56346	Spring container	
18	1	56345	Spring	
19	1	56347	Seal kit	
20	1	6395150		
21	1	6394165		
22	4	6661444	Socket	
23	2	60620	Quick-release coupling,M	3/8"
24	2	60619	Quick-release coupling,F	3/8"
25	2	60621	Dust cap, M	3/8"
26	2	60622	Dust cap, F	3/8"



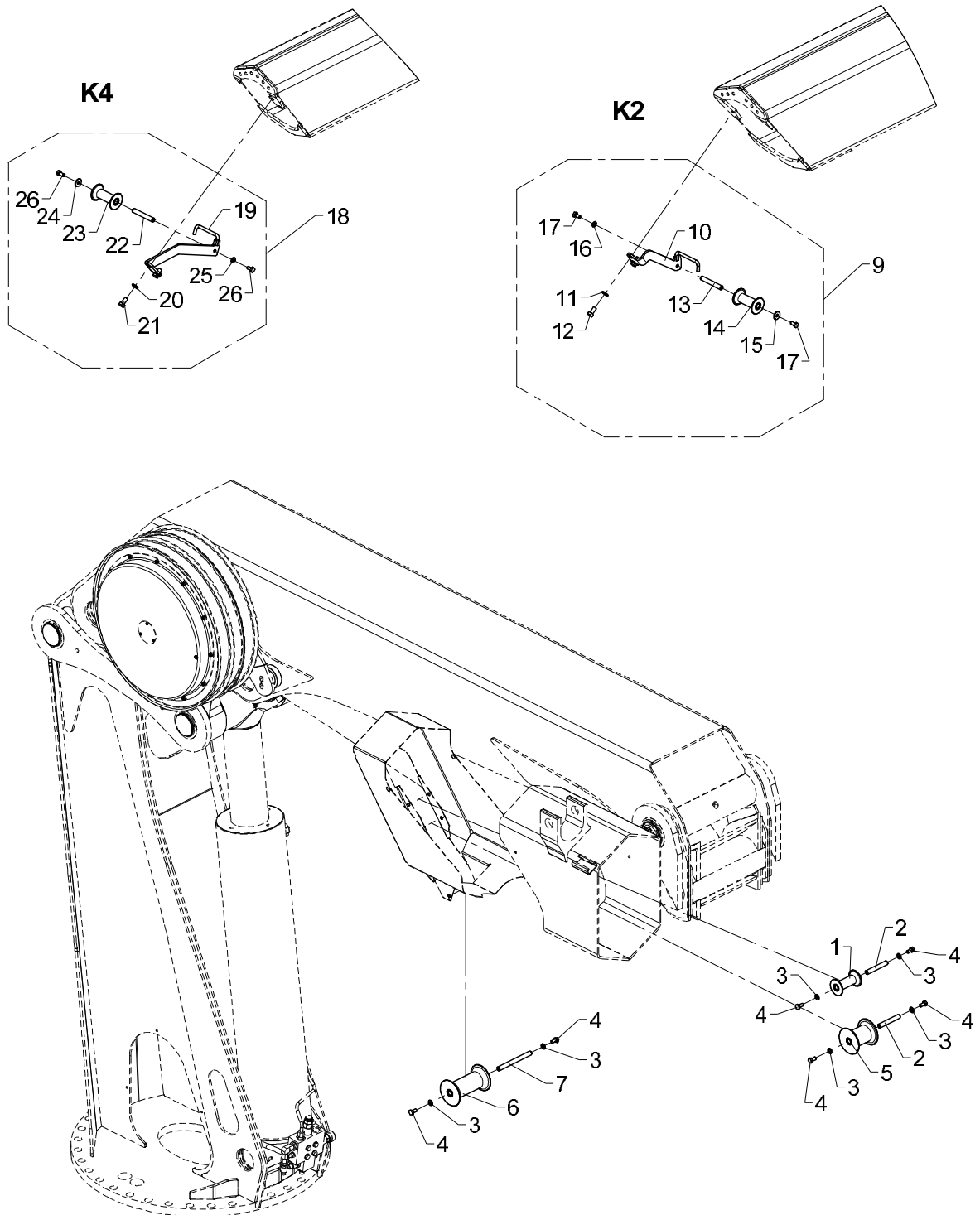
540 09 540

### 32/222 PARTS

63 95 030

63 95 020

Internal ref. 63 95 010



**540 09 540**

From loader 1130001

To loader

Created 20-03-2013

Modified

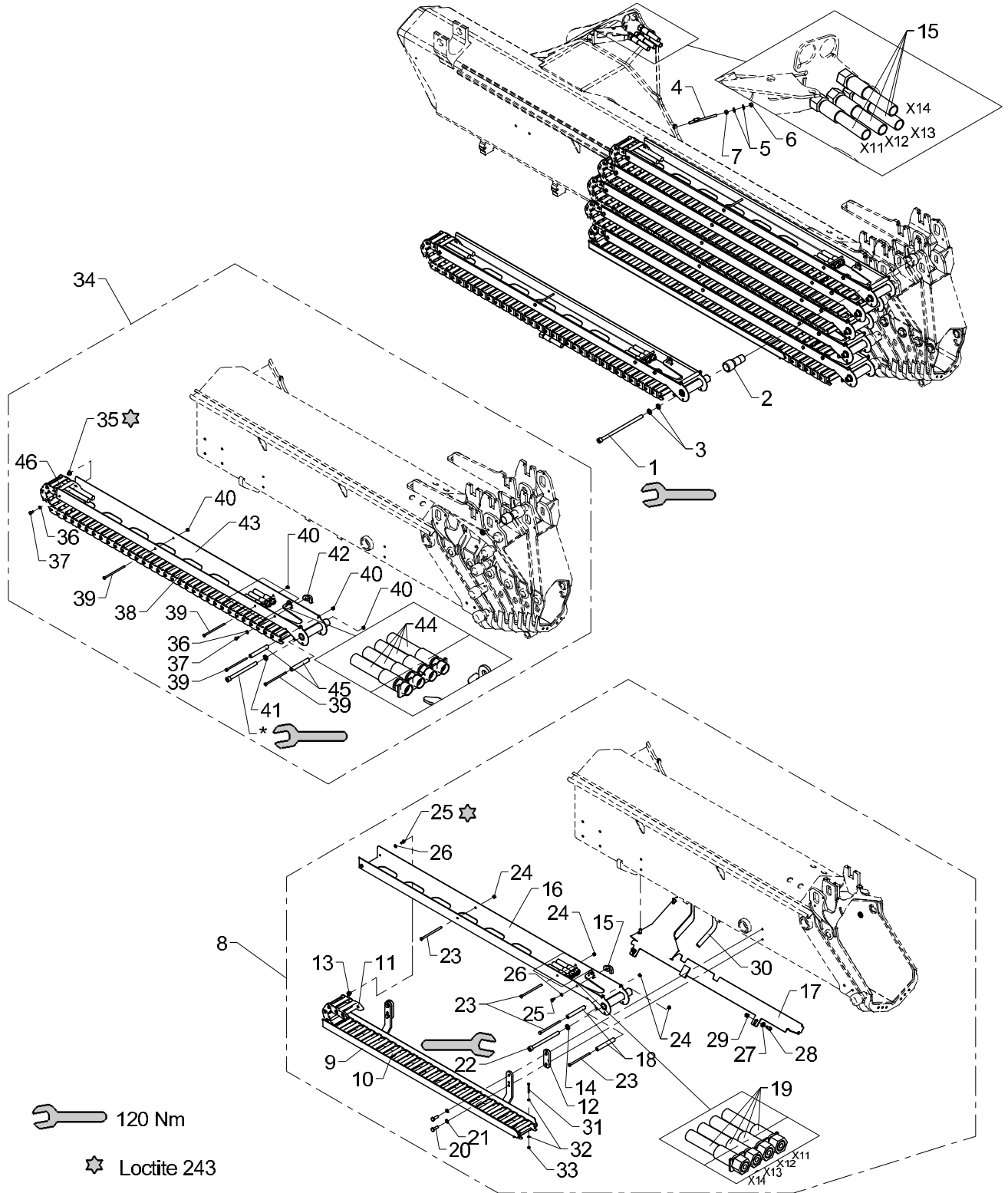
Pos	Qty.	Part no.	Description	Remarks
		6395010		
		6395020		
		6395030		
1	1	63546	Guide roller	
2	2	6301042	Pin	
3	6	31147	Face washer, 8 mm	
4	6	30131	Set screw, stainless	M8 x 16
5	1	63547	Guide roller	
6	1	63544	Guide roller	
7	1	6302883	Pin	
9	1	6395020	Internal hose routing, K2	
10	1	6394075		
11	2	31177	Washer	10 mm
12	2	30154	Set screw	M10 x 20
13	1	6301042	Pin	
14	1	63546	Guide roller	
15	1	31136	Washer, stainless	
16	1	31147	Face washer, 8 mm	
17	2	30131	Set screw, stainless	M8 x 16
18	1	6395030	Internal hose routing, K4	
19	1	6394077	Roller bracket	
20	2	31177	Washer	10 mm
21	2	30154	Set screw	M10 x 20
22	1	6301042	Pin	
23	1	63546	Guide roller	
24	1	31136	Washer, stainless	
25	1	31147	Face washer, 8 mm	
26	2	30131	Set screw, stainless	M8 x 16



# 32/222 PARTS

540 09 880

63 94 790  
63 94 800  
63 94 810  
63 94 820  
Internal ref. 63 94 830



120 Nm

Loctite 243

## Hose guides, K2-K6, cpl.

Pos	Qty.	Part no.	Description	Remarks
		6394830		
		6394820		
		6394810		
		6394800		
		6394790		
1	1	32505		MC12 x 230
2	1	6394457		
3	2	6340717	Washer	
4	1	6390049	Hose clamp	
5	2	31147	Face washer, 8 mm	
6	1	30886	Lock nut, stainless	M8
7	1	30856	Nut, stainless	M8
8	1	6394770		
9	1	6390661	Guide (jib)	
10	1	28741	Nylon drag chain, 36 links	
11	1	63400	End link for nylon drag chain	
12	2	6394335		
13	2	6340719	Nut	
14	3	6340717	Washer	
15	1	6340718	Bracket	
16	1	6390667	Guide (extension II-VI)	
17	1	6394047		Serie 1800/2200
18	2	56513		
19	4	0017640	Hose	
20	4	30134	Set screw, stainless	M8 x 25
21	4	31116		8 mm
22	1	32488	Screw	MC12 x 150
23	4	30167	Steel bolt	M6 x 60
24	4	30884	Lock nut, stainless	M6
25	3	30111	Set screw, stainless	
26	3	32302	Face washer, stainless	6 mm
27	4	31754	Washer	8 mm
28	4	30133	Set screw, stainless	
29	2	30886	Lock nut, stainless	M8
30	1	22122	PVC protection	0,2m
31	2	30128	Set screw	M4 x 40
32	4	31188	Washer, stainless	4 mm
33	2	30857	Lock nut	M4
34	1	6390780	Hose guide, cpl.	
35	2	6340719	Nut	
36	3	32302	Face washer, stainless	6 mm

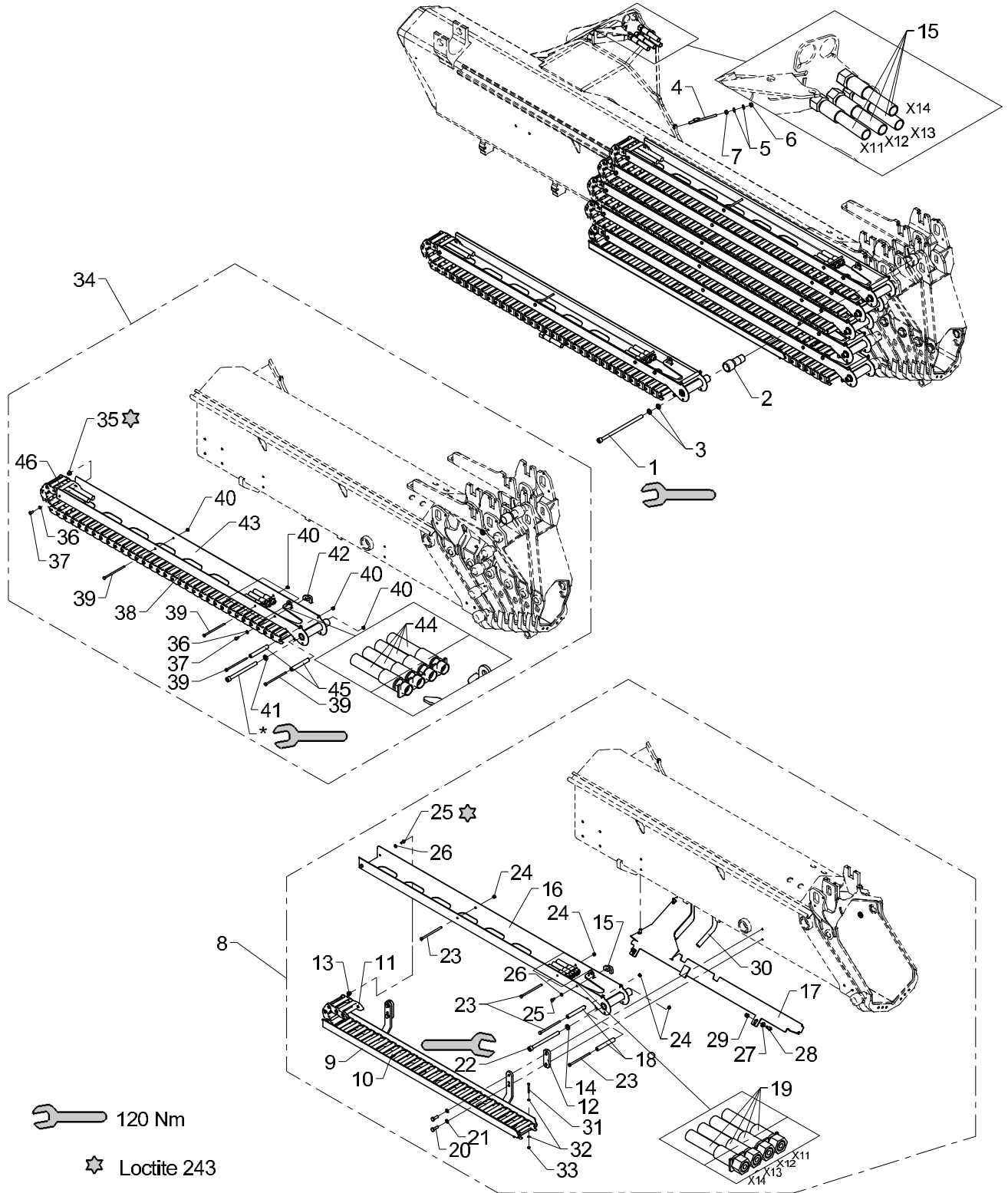


# 32/222 PARTS

540 09 880

63 94 790  
63 94 800  
63 94 810  
63 94 820

Internal ref. 63 94 830



**540 09 880**

From loader 1130001

To loader

Created 20-03-2013

Modified

## Hose guides, K2-K6, cpl.

---

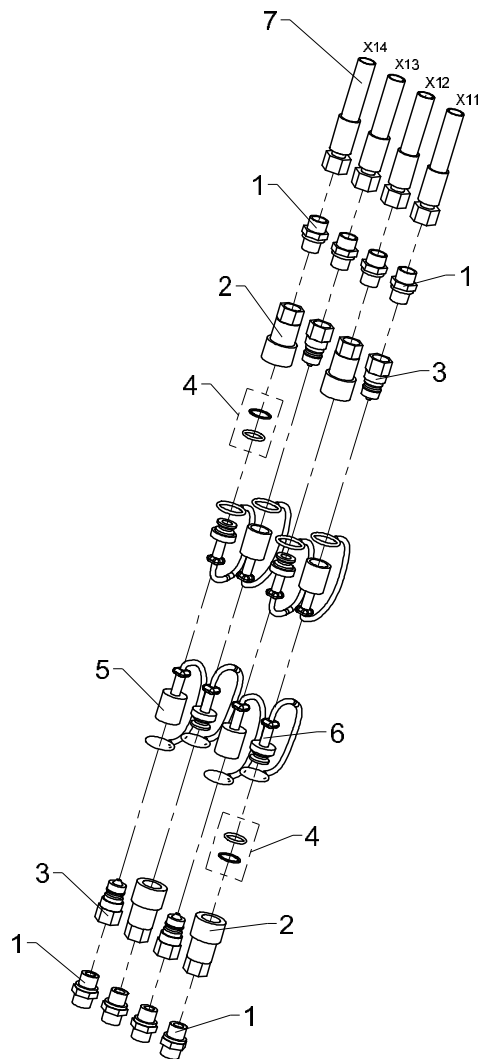
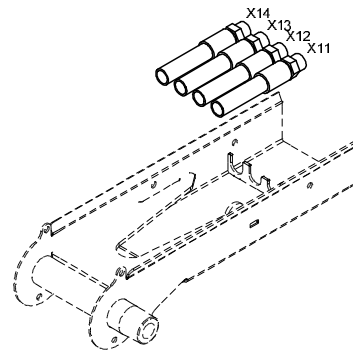
Pos	Qty.	Part no.	Description	Remarks
37	3	30111	Set screw, stainless	
38	1	28741	Nylon drag chain, 36 links	
39	4	30167	Steel bolt	M6 x 60
40	4	30884	Lock nut, stainless	M6
41	3	6340717	Washer	
42	1	6340718	Bracket	
43	1	6390667	Guide (extension II-VI)	
44	4	56553	Hose	
45	2	56513		
46	1	63400	End link for nylon drag chain	



540 09 900

### 32/222 PARTS

Internal ref. 63 90 840





**540 09 900**

From loader 1130001

To loader

Created 17-08-2010

Modified

## Quick-release couplings, 2 EXV, guides K2-K6

---

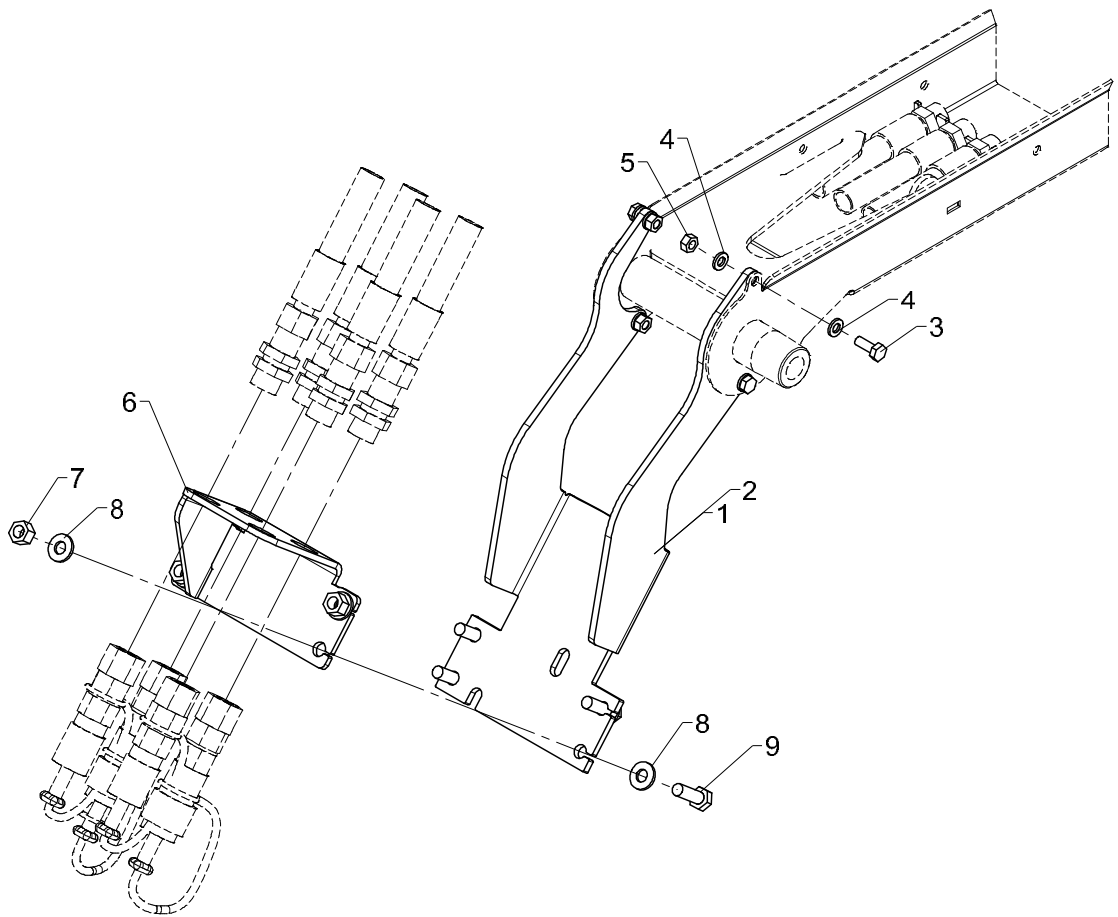
Pos	Qty.	Part no.	Description	Remarks
1	8	25127	Connection	P-GEV 12 LR-WD
2	4	60619	Quick-release coupling,F	3/8"
3	4	60620	Quick-release coupling,M	3/8"
4	2	60635	Seal kit	
5	4	60622	Dust cap, F	3/8"
6	4	60621	Dust cap, M	3/8"
7	4	56558	Hose	



540 09 905

### 32/222 PARTS

63 91 160  
Internal ref. 63 95 160



**540 09 905**

From loader 1130001

To loader

Created 20-03-2013

Modified

---

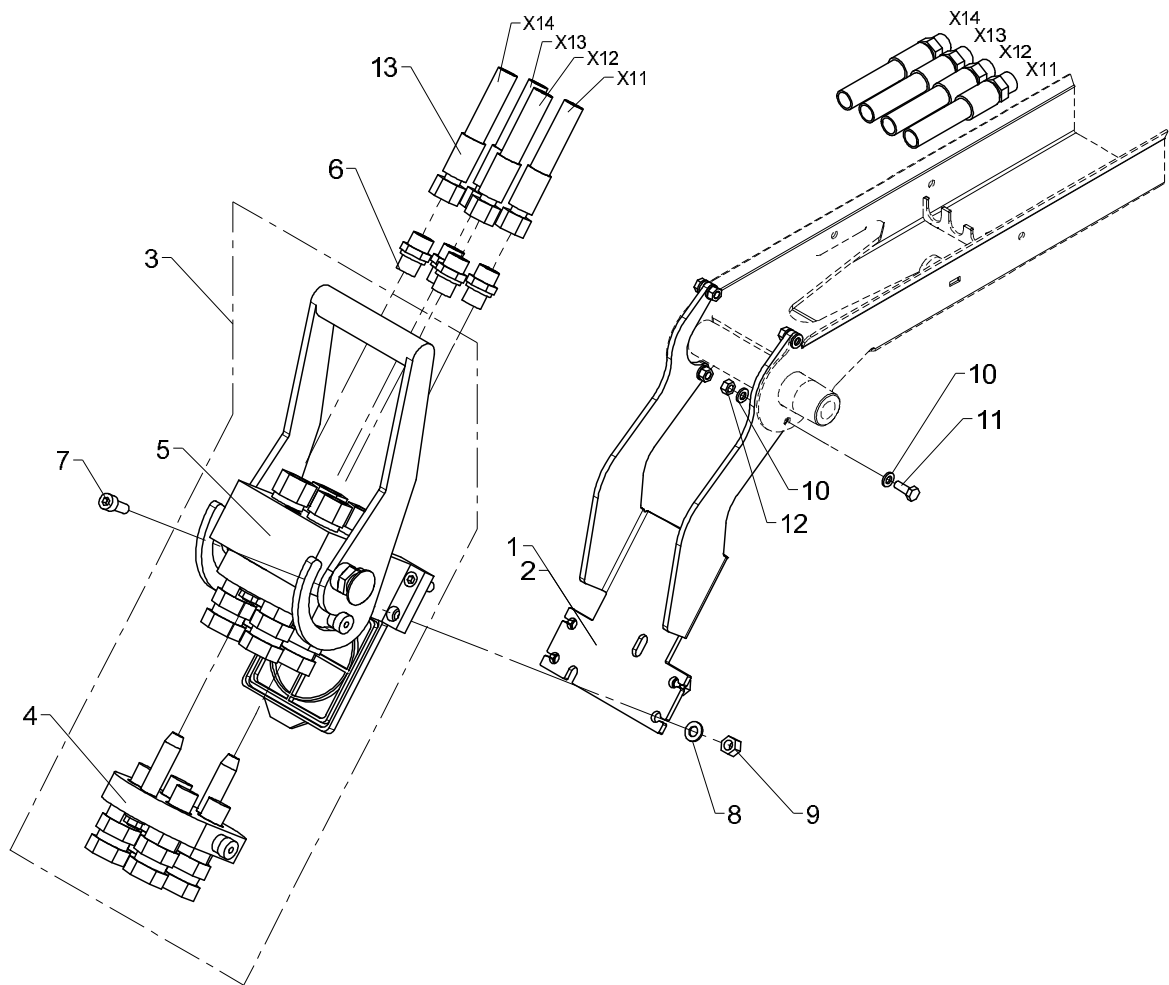
Pos	Qty.	Part no.	Description	Remarks
		6395160		k2 - k3
		6391160		k4 - k6
1	1	6394163	Adapter	K2 - K3
2	1	6390163		K4 - K6
3	4	30112	Set screw, stainless	M6 x 16
4	8	32302	Face washer, stainless	6 mm
5	4	30854	Nut, stainless	M6
6	1	6394164		
7	4	30886	Lock nut, stainless	M8
8	8	31754	Washer	8,4 x 18 x 2
9	4	30134	Set screw, stainless	M8 x 25



540 09 910

### 32/222 PARTS

63 90 850  
Internal ref. 63 94 850



**540 09 910**

From loader 1130001

To loader

Created 20-03-2013

Modified

**Multi-couplings, 2 EXV, guides K2-K6**

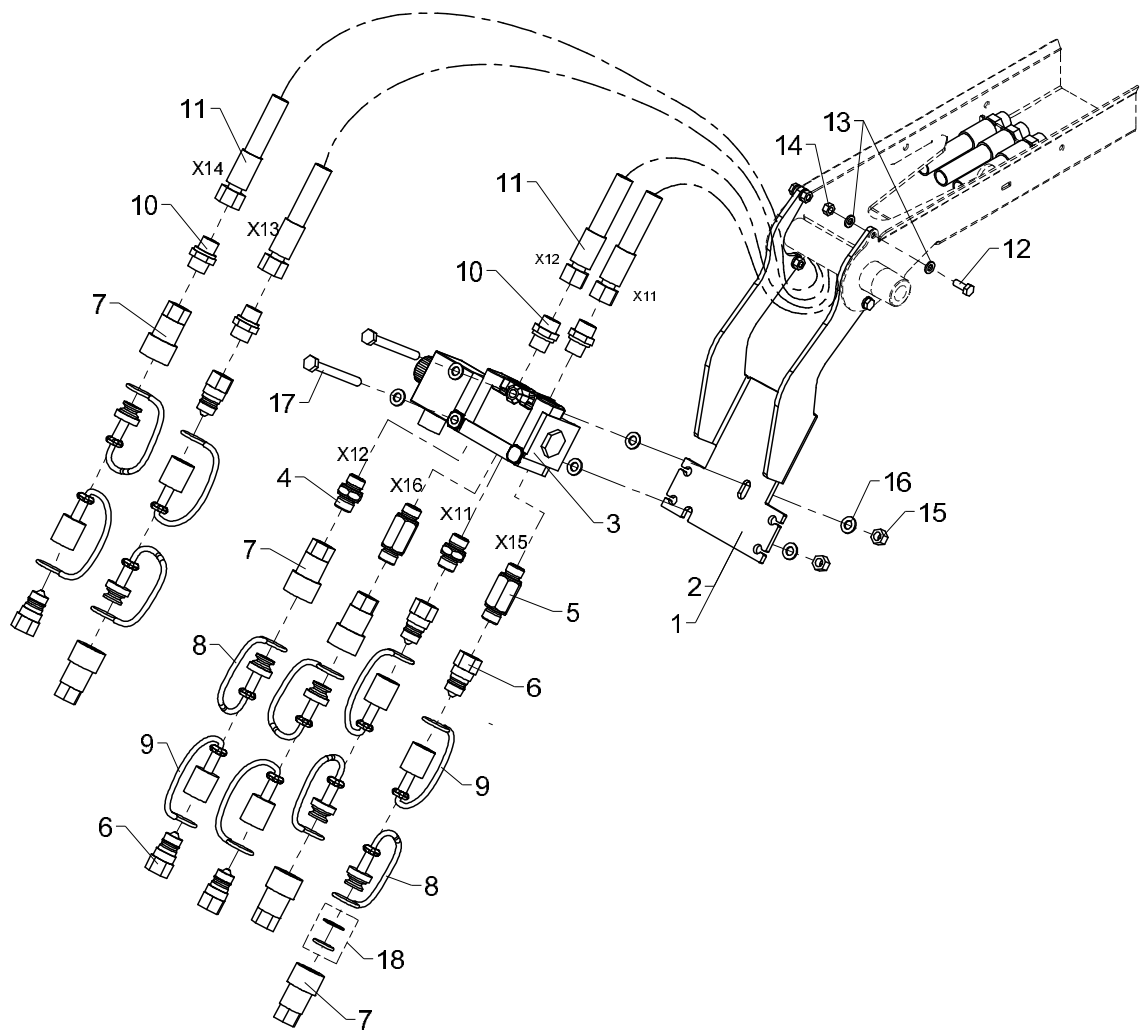
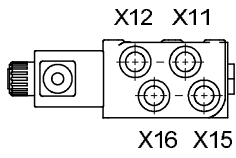
Pos	Qty.	Part no.	Description	Remarks
		6394850		
		6390850	Multi-coupl.,2 EXV, hose guide	
1	1	6394163	Adapter	K2+K3
2	1	6390163		K4+K5+K6
3	1	58430	Multifaster coupling	1/2"
4	1	58431	Multifaster coupling	
5	1	58432	Multifaster coupling	
6	4	25127	Connection	P-GEV 12 LR-WD
7	4	30438	Screw	MC8 x 20
8	4	31147	Face washer, 8 mm	
9	4	30886	Lock nut, stainless	M8
10	8	32302	Face washer, stainless	6 mm
11	4	30112	Set screw, stainless	M6 x 16
12	4	30854	Nut, stainless	M6
13	4	56558	Hose	



540 09 920

# 32/222 PARTS

63 90 860  
Internal ref. 63 94 860



**540 09 920**

From loader 1130001

To loader

Created 20-03-2013

Modified

**Kit, 3 EXV, hose guides K2-K6**

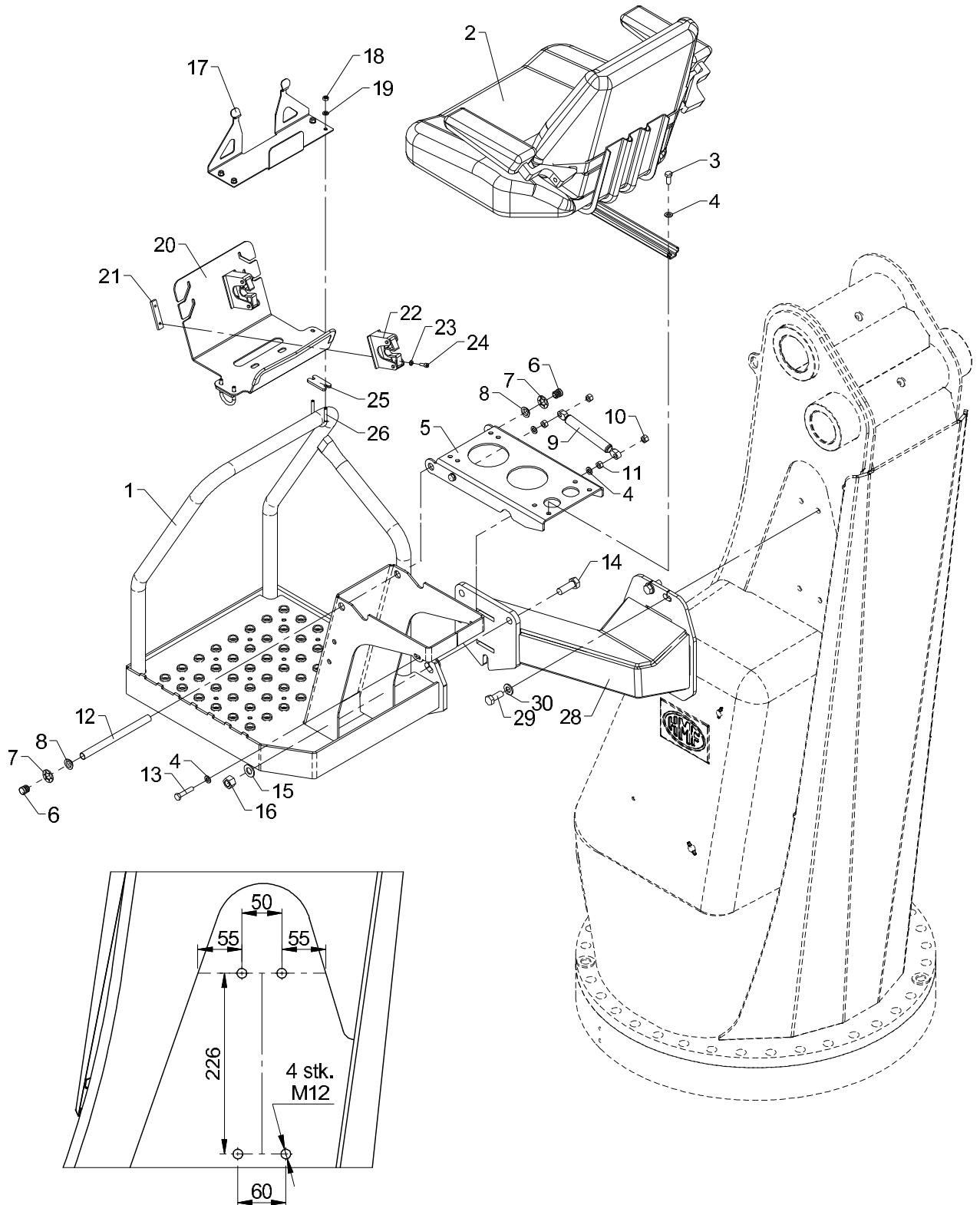
Pos	Qty.	Part no.	Description	Remarks
		6394860		
		6390860	Kit, 3 EXV, guides K1-K5	
1	1	6394163	Adapter	K2+K3
2	1	6390163		K4+K5+K6
3	1	59062	Change-over valve	
4	2	6340775	Connection	
5	2	6340776	Connection	
6	6	60620	Quick-release coupling,M	3/8"
7	6	60619	Quick-release coupling,F	3/8"
8	6	60621	Dust cap, M	3/8"
9	6	60622	Dust cap, F	3/8"
10	4	25127	Connection	P-GEV 12 LR-WD
11	4	56558	Hose	
12	4	30112	Set screw, stainless	M6 x 16
13	8	32302	Face washer, stainless	6 mm
14	4	30854	Nut, stainless	M6
15	2	30886	Lock nut, stainless	M8
16	6	31147	Face washer, 8 mm	
17	2	30143	Steel bolt, stainless	M8 x 80
18	1	60635	Seal kit	



540 11 010

# 32/222 PARTS

Internal ref. 63 94 900





**540 11 010**

From loader 1130001

To loader

Created 20-03-2013

Modified

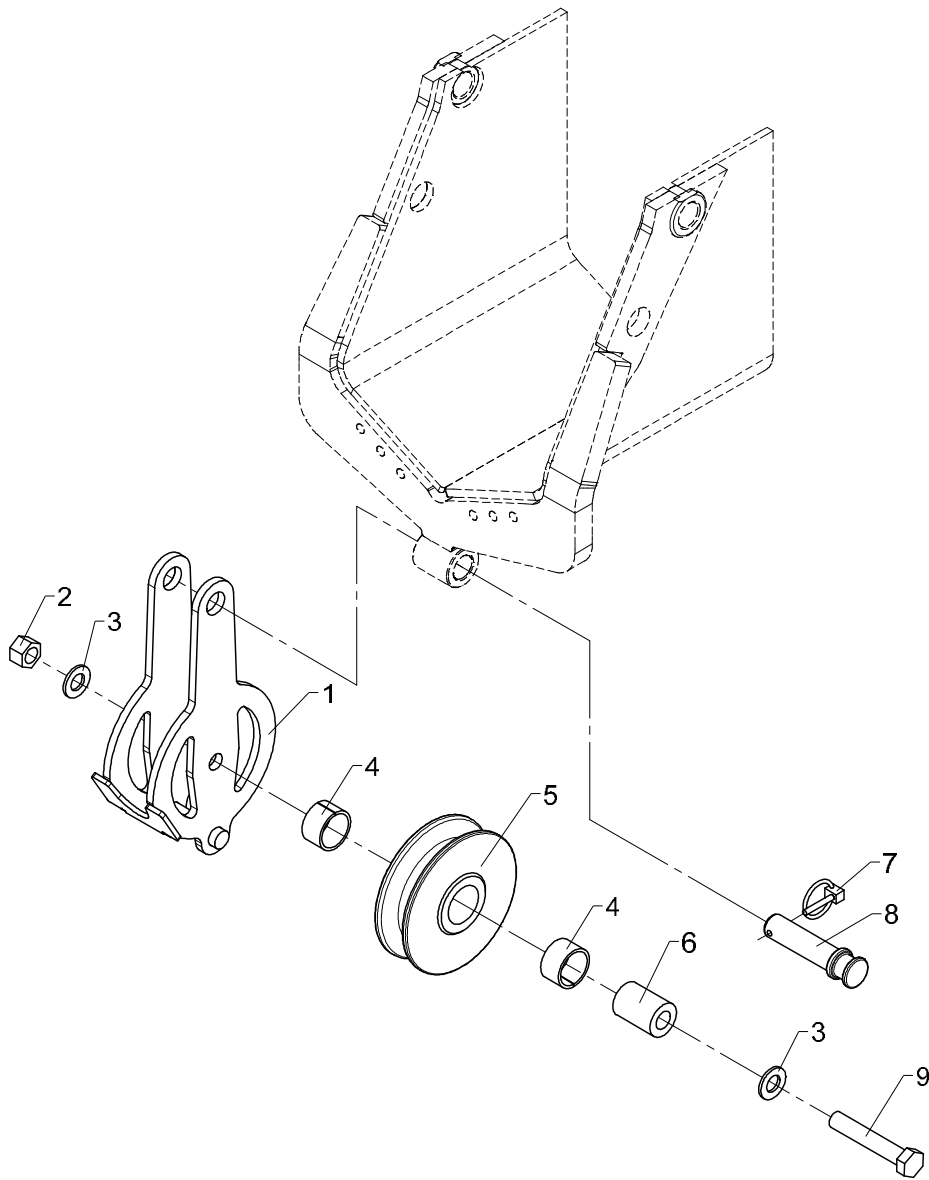
Pos	Qty.	Part no.	Description	Remarks
1	1	6394901		
2	1	24134	Seat	
3	4	30132	Set screw, stainless	
4	12	31147	Face washer, 8 mm	
5	1	6306638	Plate, seat	
6	2	64520	Stopper	
7	2	32279	Clamping ring sleeve	15 mm
8	2	23416	Composite bearing	BB 1504,5
9	1	48460	Gas spring	
10	6	30886	Lock nut, stainless	M8
11	2	30856	Nut, stainless	M8
12	1	6306649	Pin	
13	2	30137	Set screw, stainless	M8 x 40
14	3	32248	Set screw	M14 x 40
15	6	31178	Washer	14 mm
16	3	32317	Lock nut	M14
17	1	6340902	Bracket(HETR.remote ctrl. box)	
18	4	30854	Nut, stainless	M6
19	4	32302	Face washer, stainless	6 mm
20	1	6340901	Bracket, Scanreco RC box	
21	2	8507104	Threaded plate	
22	2	46453	Bracket	
23	4	31189	Washer	5 mm
24	4	30433	Screw	MC5 x 16
25	2	6340904	Division plate	
26	2	6340903	Clamp	
27	1	46596	Rubber protection	0,3 m.
28	1	6394906		
29	4	31523	Set screw, stainless	M12 x 30
30	4	32338	Washer	12 mm



540 13 040

### 32/222 PARTS

Internal ref. 63 90 530



**540 13 040**

From loader 1130001

To loader

Created 16-08-2010

Modified 10-12-2012

## Wire roller guide

---

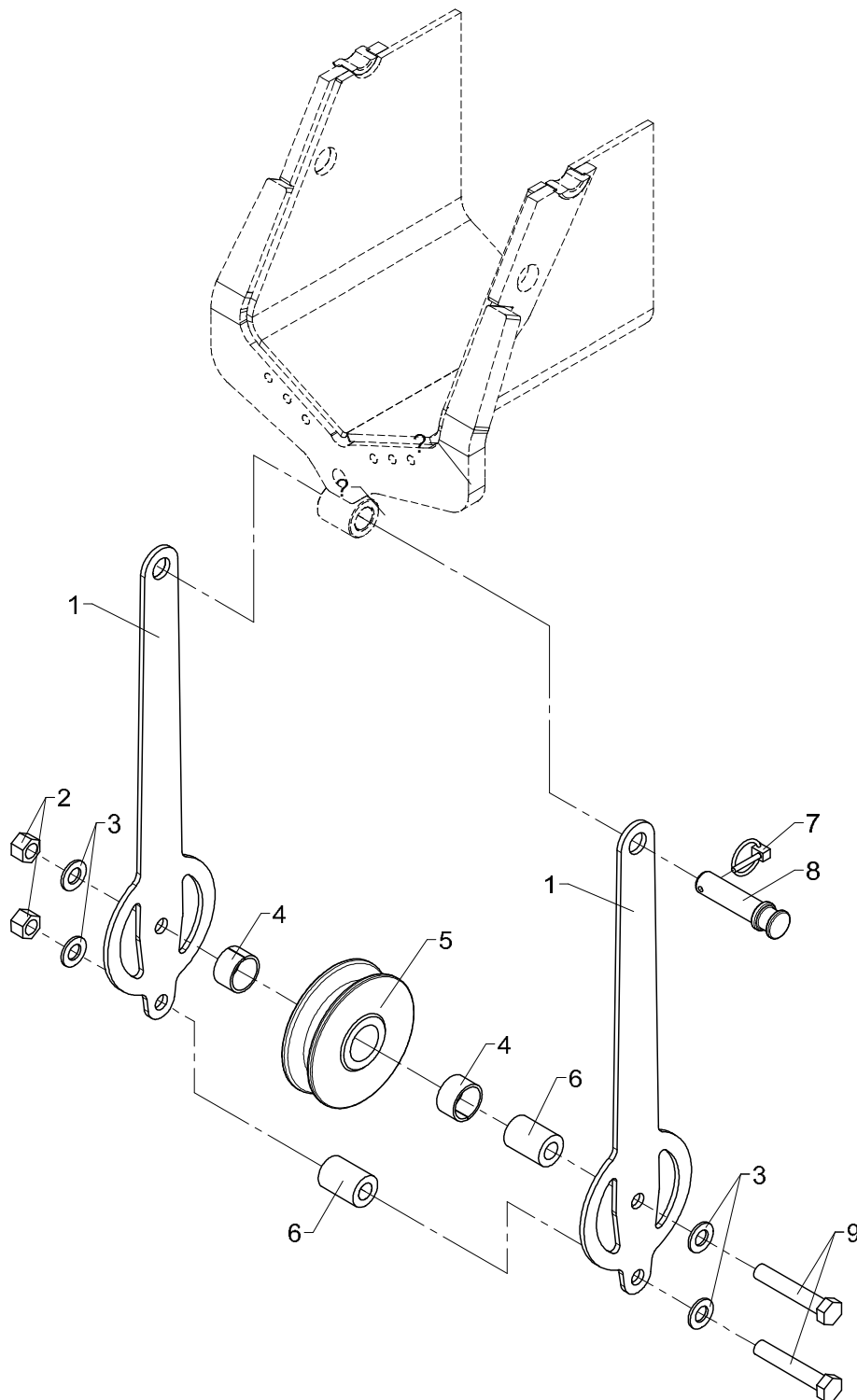
Pos	Qty.	Part no.	Description	Remarks
1	1	6300792		
2	1	30891	Lock nut	M14
3	2	31178	Washer	14 mm
4	2	23302	Bushing	MB 3020 DU
5	1	63513	Wire roller guide	
6	1	6885504	Distance pipe	
7	1	33385	Ring split	ø4,5 x 27
8	1	6300859	Pin	
9	1	30214	Steel bolt	M14 x 80



540 13 050

### 32/222 PARTS

Internal ref. 63 90 520



**540 13 050**

From loader 1130001

To loader

Created 16-08-2010

Modified

## Wire roller guide (with FJ)

---

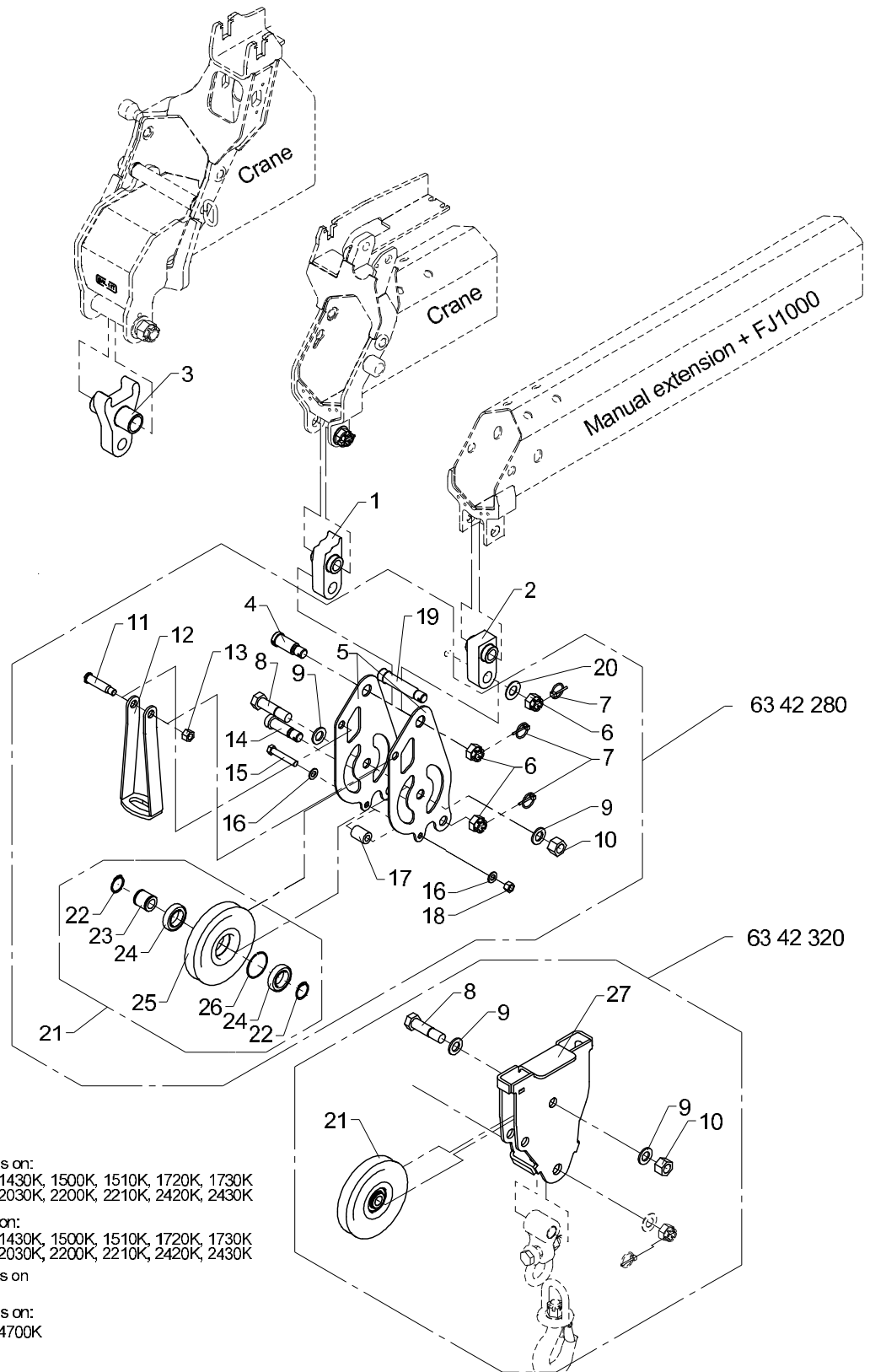
Pos	Qty.	Part no.	Description	Remarks
1	2	6390039	Side plate for roller guide	
2	2	30891	Lock nut	M14
3	4	31178	Washer	14 mm
4	2	23302	Bushing	MB 3020 DU
5	1	63513	Wire roller guide	
6	2	6885504	Distance pipe	
7	1	33385	Ring split	ø4,5 x 27
8	1	6300859	Pin	
9	2	30214	Steel bolt	M14 x 80



540 13 060

# 32/222 PARTS

63 42 320  
Internal ref. 63 42 280



Pos 1: For Hydraulic extensions on:  
1300K, 1310K, 1420K, 1430K, 1500K, 1510K, 1720K, 1730K  
1800K, 1810K, 2020K, 2030K, 2200K, 2210K, 2420K, 2430K

Pos 2: For Manual extensions on:  
1300K, 1310K, 1420K, 1430K, 1500K, 1510K, 1720K, 1730K  
1800K, 1810K, 2020K, 2030K, 2200K, 2210K, 2420K, 2430K

For Hydraulic extensions on  
FJ1000

Pos 3: For Hydraulic extensions on:  
3400K, 3820K, 4300K, 4700K

**540 13 060**

From loader 1130001

To loader

**Wire pulley, double snatch block**

Created 13-01-2010

Modified 17-06-2011

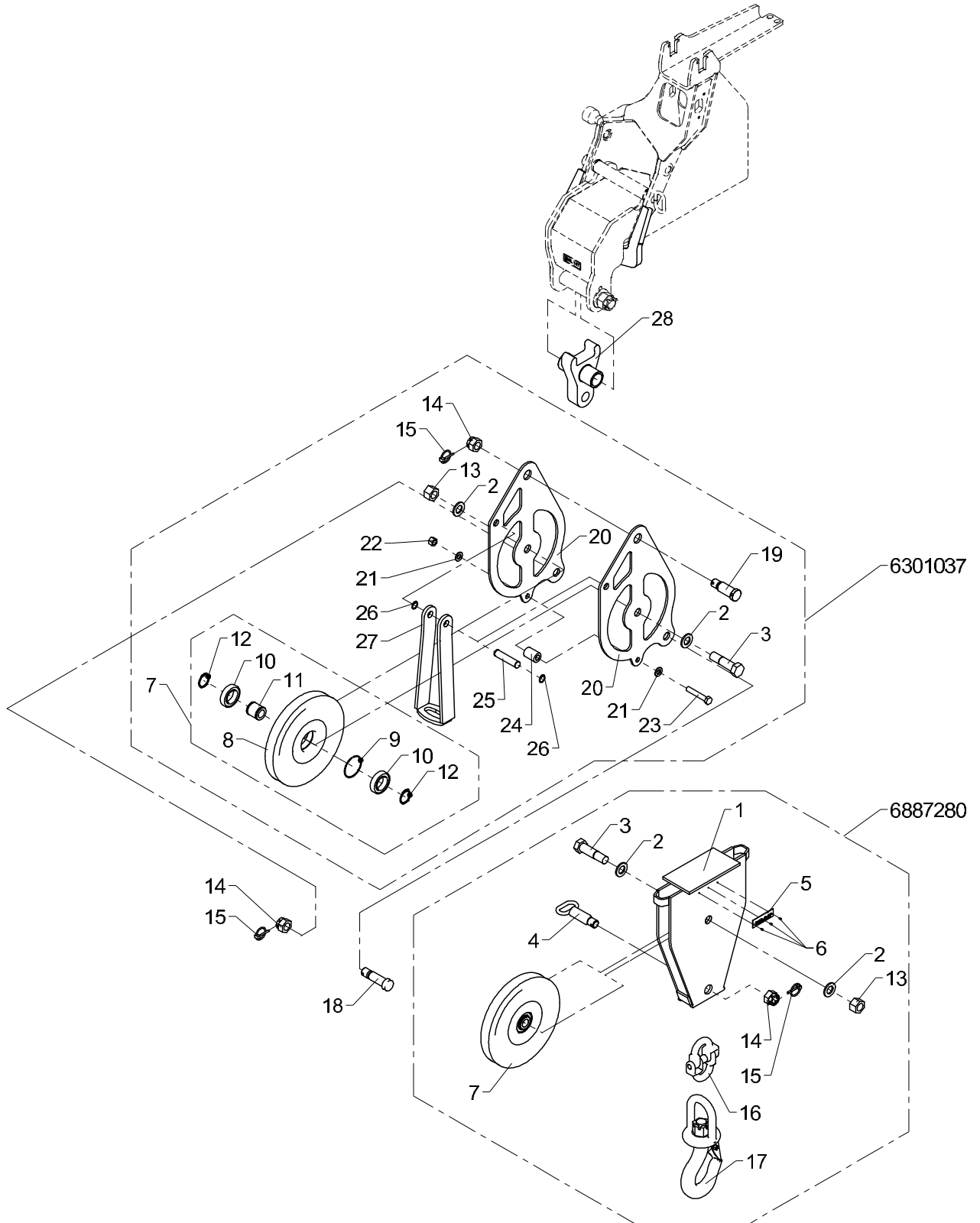
Pos	Qty.	Part no.	Description	Remarks
		6342280	Wire sheave	
		6342320	Snatch block	
1	1	6304414	Wire pulley	Til kranarme
2	1	6340995	Wire pulley	Til man. forlængerarme
3	1	6302615	Wire pulley	
4	1	6256324	Pin	
5	2	6340981	Side plate	
6	3	30837	Nut	M24
7	3	31967	Ring split	ø4,5 x 40
8	2	32476	Steel bolt	M24 x 95
9	4	31133	Washer	24 mm
10	2	30897	Lock nut	M24
11	1	6340982	Pin	
12	1	6340983	Wire safety device	
13	1	30892	Lock nut	M16
14	1	6300558	Pin	
15	1	30214	Steel bolt	M14 x 80
16	2	31178	Washer	
17	1	6885504	Distance pipe	
18	1	30891	Lock nut	M14
19	1	6304458	Pin for suspension	
20	1	31128	Washer	24 mm
21	2	6342290	Wire sheave with bearing	
22	2	33121	Circlip	40U
23	1	6887304	Hub	
24	2	23150	Ball bearing	
25	1	63484	Wire sheave	
26	1	23904	Spring ring	BR 68
27	1	6340997	Snatch block	



540 13 070

### 32/222 PARTS

63 01 037  
Internal ref. 68 87 280





**540 13 070**

From loader 1130001

To loader

**Wire pulley 3.2 t**

Created 17-08-2010

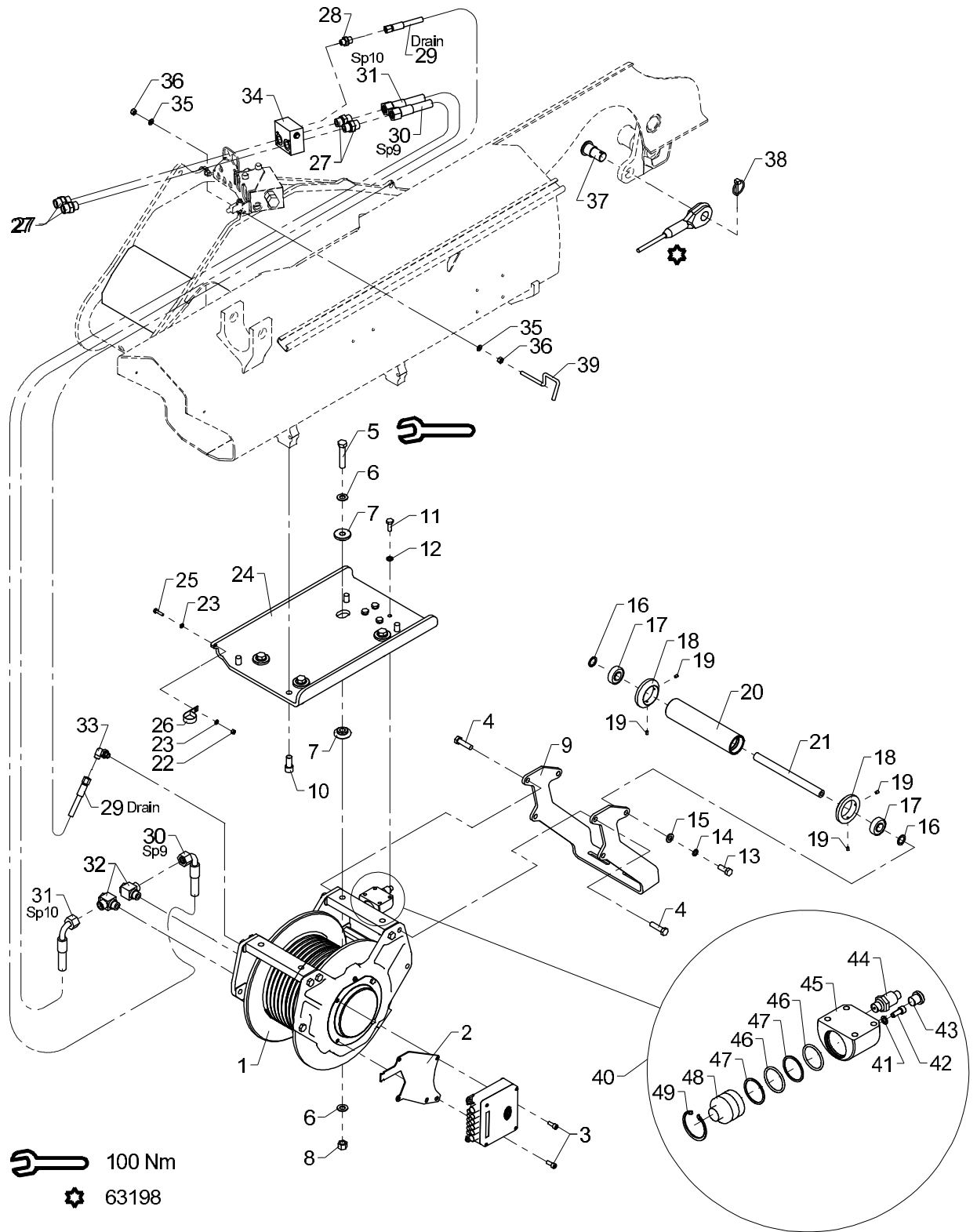
Modified 13-09-2012

Pos	Qty.	Part no.	Description	Remarks
		6887280	6.5 t snatch block, complete	
		6301037	Wire sheave, WS12 complete	
1	1	6887313	Snatch block	
2	4	31133	Washer	24 mm
3	2	32476	Steel bolt	M24 x 95
4	1	6301004	Lock pin	
5	1	65699	Brass label	
6	3	31340	Rivet	
7	2	6887290	Wire sheave incl. bearing	
8	1	64136	Wire sheave	
9	1	23904	Spring ring	BR 68
10	2	23150	Ball bearing	
11	1	6887304	Hub	
12	2	33121	Circlip	40U
13	2	30897	Lock nut	M24
14	3	30837	Nut	M24
15	3	31967	Ring split	ø4,5 x 40
16	1	50309		
17	1	63282	Hook, SWL 8 t. black	
18	1	6300558	Pin	
19	1	6256324	Pin	
20	2	6301038	Side plate	
21	2	31178	Washer	14 mm
22	1	30891	Lock nut	M14
23	1	30214	Steel bolt	M14 x 80
24	1	6885504	Distance pipe	
25	1	6300543	Pin	
26	2	33108	Circlip	20U
27	1	6300548	Stop	
28	1	6302615	Wire pulley	



# 32/222 PARTS

Internal ref. 63 94 870



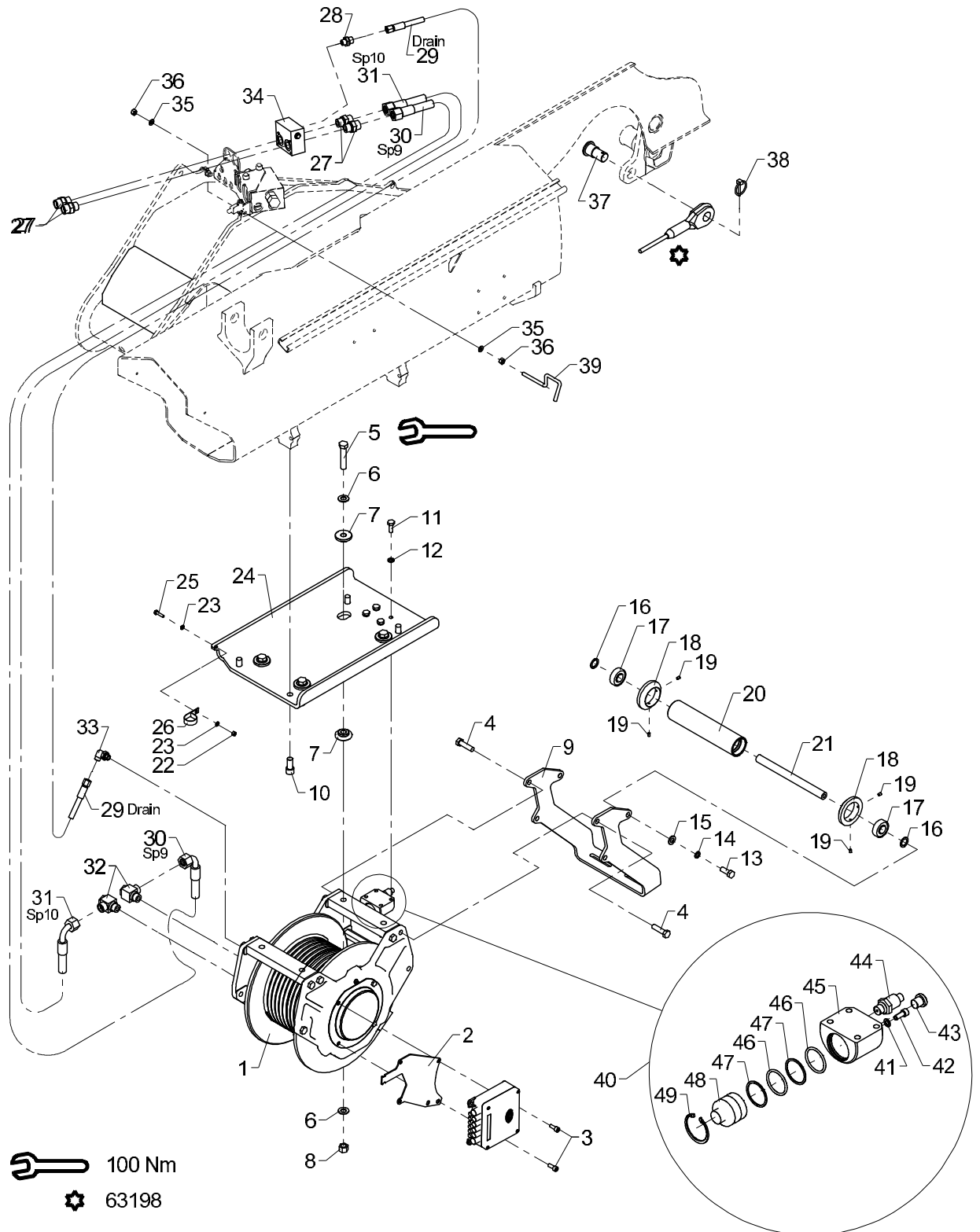
## Winch 2.5 T + mounting fittings and weighing cell

Pos	Qty.	Part no.	Description	Remarks
1	1	58285	Winch	
2	1	6301127	Plate for CIO	
3	2	30438	Screw	MC8 x 20
4	2	30180	Steel bolt	M12 x 45
5	4	30213	Steel bolt	M14 x 70
6	8	31178	Washer	14 mm
7	8	6301337	Washer	
8	4	32317	Lock nut	M14
9	1	6390062	Stowing bracket, winch	
10	4	30480	Screw	MC14 x 30
11	4	30155	Set screw	M10 x 25
12	4	30933	Nordlock washer	10 mm
13	1	30177	Set screw	M12 x 30
14	1	31158	Spring washer	12 mm
15	1	31131	Washer	12 mm
16	2	33227	Back ring	SS 20 x 28 x 2
17	2	23178	Ball bearing	
18	2	6886764	Guide roller	
19	4	31577	Pointed screw, stainless	MSP6 x 8
20	1	6290984	Guide roller	
21	1	6295614	Pin	
22	1	30854	Nut, stainless	M6
23	2	32302	Face washer, stainless	6 mm
24	1	6394044		
25	1	30114	Set screw, stainless	M6 x 25
26	1	31868	Clip 32 mm	
27	4	26334	Connection	P-GEV 16 SR-WD
28	1	25244	Connection	GES 8 LR 3/8-WD
29	1	62542	Hose	1/4" x 3430
30	1	62680	Hose	1/2" x 1900 L/90
31	1	62682	Hose	1/2" x 1700
32	2	26344	Banjo connection	RSWV 16 SR
33	1	26898	Elbow connection	8 mm - 1/4"
34	1	50509		
35	2	31147	Face washer, 8 mm	
36	2	30886	Lock nut, stainless	M8
37	1	6886754		
38	1	31967	Ring split	ø4,5 x 40
39	1	6390307		
40	1	6887210	Weighing cell, hydraul.	
41	1	21109	Seal washer	ø7,1 x 12 x 1



# 32/222 PARTS

Internal ref. 63 94 870



**540 13 100**

From loader 1130000

To loader

Created 23-02-2012

Modified

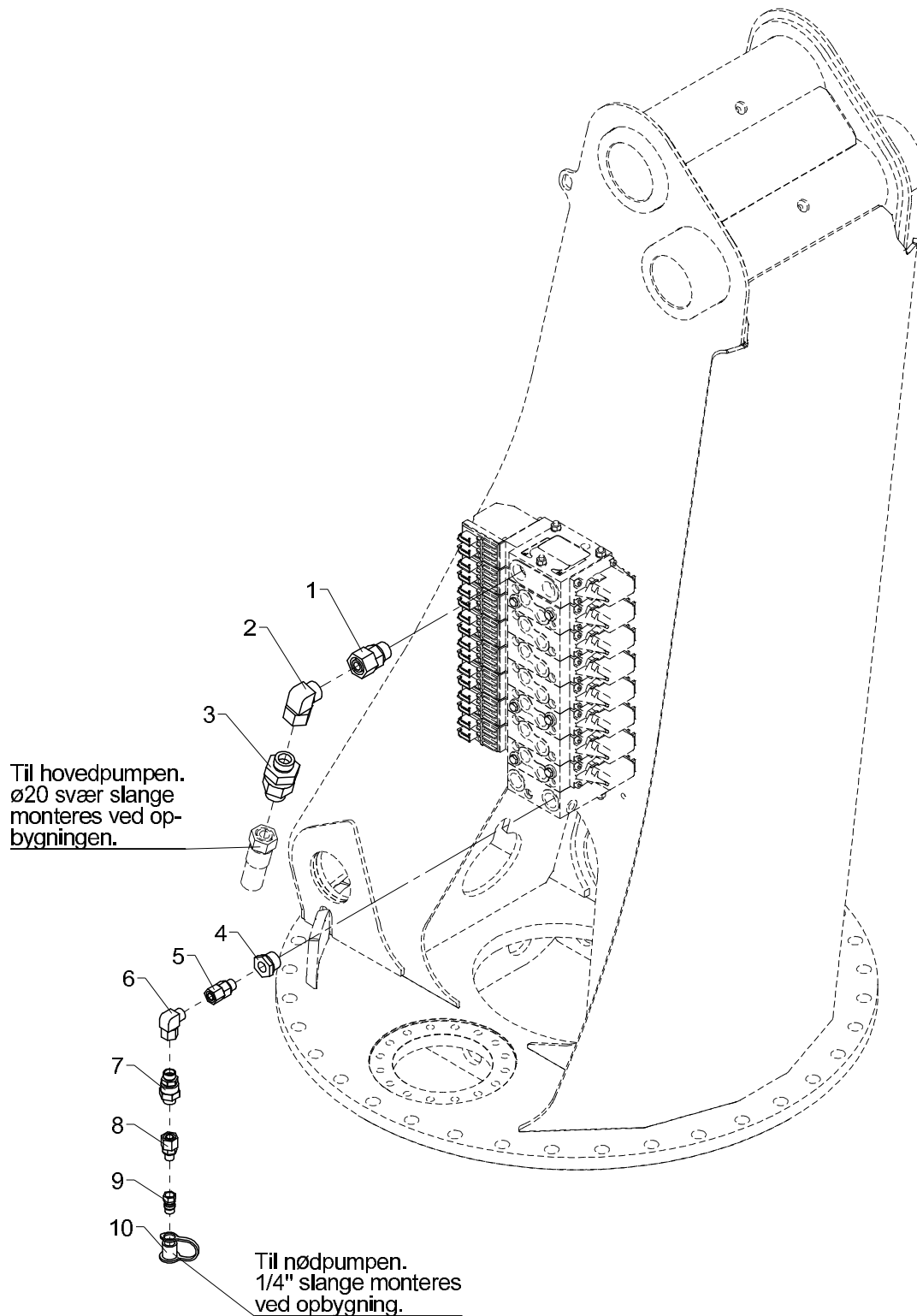
## Winch 2.5 T + mounting fittings and weighing cell

---

Pos	Qty.	Part no.	Description	Remarks
42	1	30424	Screw	MC6 x 16
43	1	25197	Plug	VS-R-1/4 WD
44	1	28850	Pressure transducer	
45	1	6300741	Housing	
46	2	20177	O-ring	OR 34,2 x 3
47	2	20705	Back ring	STR 35 x 40 x 1,3
48	1	6300742	Piston	
49	1	33178	Circlip	42 I



### 32/222 PARTS



**540 15 040**

From loader 1130001

To loader

Created 20-03-2013

Modified

---

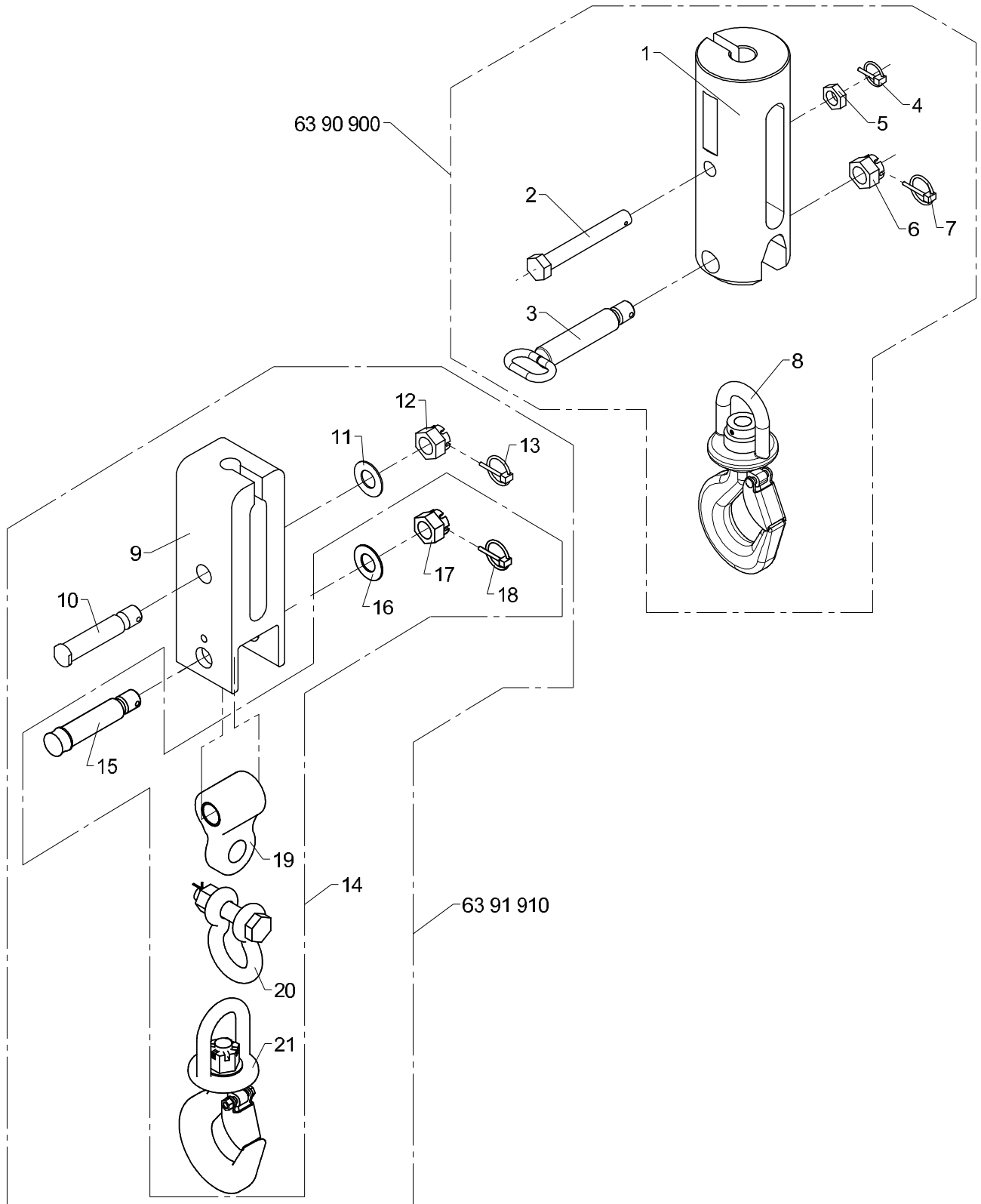
<b>Pos</b>	<b>Qty.</b>	<b>Part no.</b>	<b>Description</b>	<b>Remarks</b>
1	1	26358	Connection	EGESD 20 SR-WD
2	1	26198	Elbow connection	EWVD 20 S-SV
3	1	26844	Check valve	P-RW 20 S
4	1	26319	Reducing connection	RED-R 3/4-WD/R 3/8
5	1	25240	Connection	EGESD 12 LR-WD
6	1	25242	Elbow connection	EWSD 12 L
7	1	60491	Check valve	P-RW 20 S
8	1	25241	Connection	EGESD 12 LR 1/4-WD
9	1	60697	Quick-release coupling M	1/4"
10	1	60699	Dust cap. F.	1/4"



540 16 010

### 32/222 PARTS

63 91 910  
Internal ref. 63 90 900





**540 16 010**

From loader 1130001

To loader

**Swivel hook, 2.5 t and 3.2 t**

Created 17-08-2010

Modified 29-10-2012

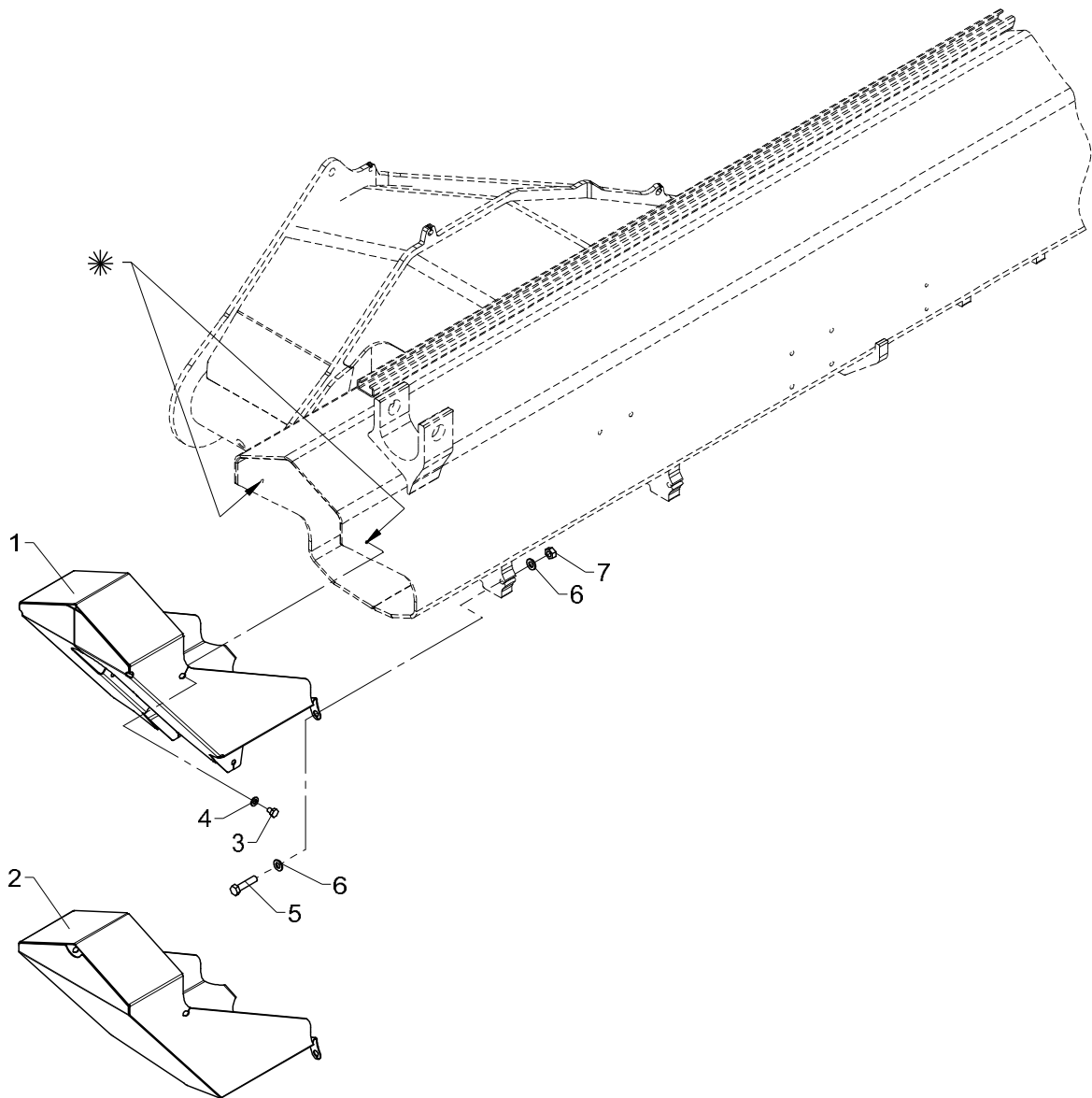
Pos	Qty.	Part no.	Description	Remarks
		6390900	Swivel hook 3.2t	
		6391910	Swivel hook 2.5t	
1	1	6256452	Swivel hook	
2	1	6256464	Pin	
3	1	6301005	Lock pin	
4	1	33385	Ring split	ø4,5 x 27
5	1	30810	Counter nut	M20
6	1	30837	Nut	M24
7	1	31967	Ring split	ø4,5 x 40
8	1	62169	Hook with ball bearing	
9	1	6340958	Counterweight	
10	1	6340959	Pin	
11	1	31128	Washer	24 mm
12	1	30837	Nut	M24
13	1	31967	Ring split	ø4,5 x 40
14	1	6391920	Hook suspension	
15	1	6304458		
16	1	31128	Washer	24 mm
17	1	30837	Nut	M24
18	1	31967	Ring split	ø4,5 x 40
19	1	6292853	Hook suspension	
20	1	62114	Shackle with nut	
21	1	62101	Hook 5 t	



540 16 020

### 32/222 PARTS

63 94 550  
Internal ref. 63 94 510



**540 16 020**

From loader 1130001

To loader

Created 20-03-2013

Modified

## Shield at the end of the jib

---

Pos	Qty.	Part no.	Description	Remarks
		6394510	Shield for reels	
		6394550	Protection of jib	
1	1	6394079	Protection plate, jib	
2	1	6394173	Protection plate, jib	
3	2	30105	Set screw, stainless	M8 x 10
4	2	31147	Face washer, 8 mm	
5	2	30377	Set screw	M10 x 45
6	4	31565	Washer, stainless	10 mm
7	2	30858	Nut	M10



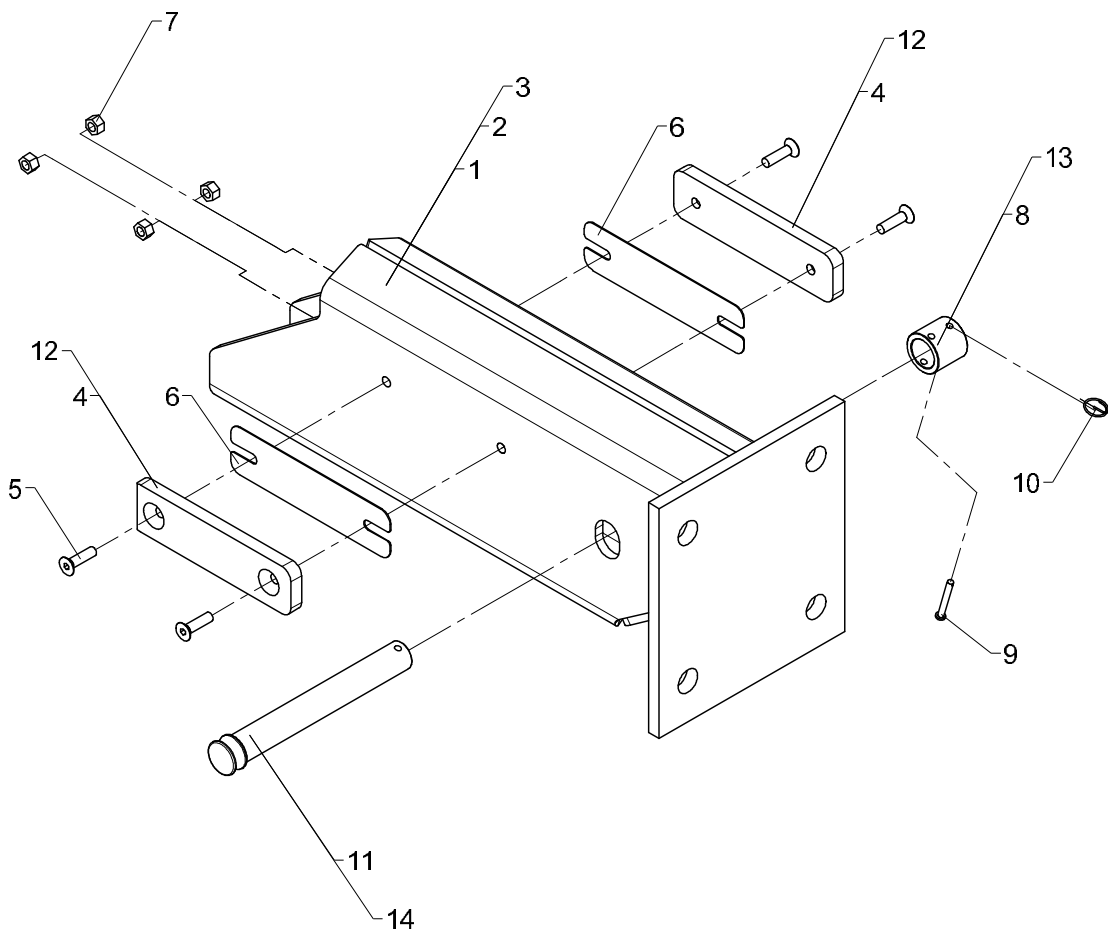
540 16 090

### 32/222 PARTS

85 18 750

85 18 740

Internal ref. 85 18 730



**540 16 090**

From loader 1130001

To loader

Created 26-02-2013

Modified

Pos	Qty.	Part no.	Description	Remarks
		8518730		
		8518740		
		8518750		
1	1	8518731		
2	1	8518741		
3	1	8518751		
4	2	6304359	Spacer	
5	4	30995	Countersunk screw	MK8 x 30
6	2	6305108	Adjusting plate	
7	4	30886	Lock nut, stainless	M8
8	1	6390495	Washer, long	
9	1	31280	Cotter bolt	ø5 x 40
10	1	33458	Lock ring	
11	1	6394459		
12	2	6348211	Spacer	
13	1	6390494	Washer, short	
14	1	6394479		



# 32/222 PARTS

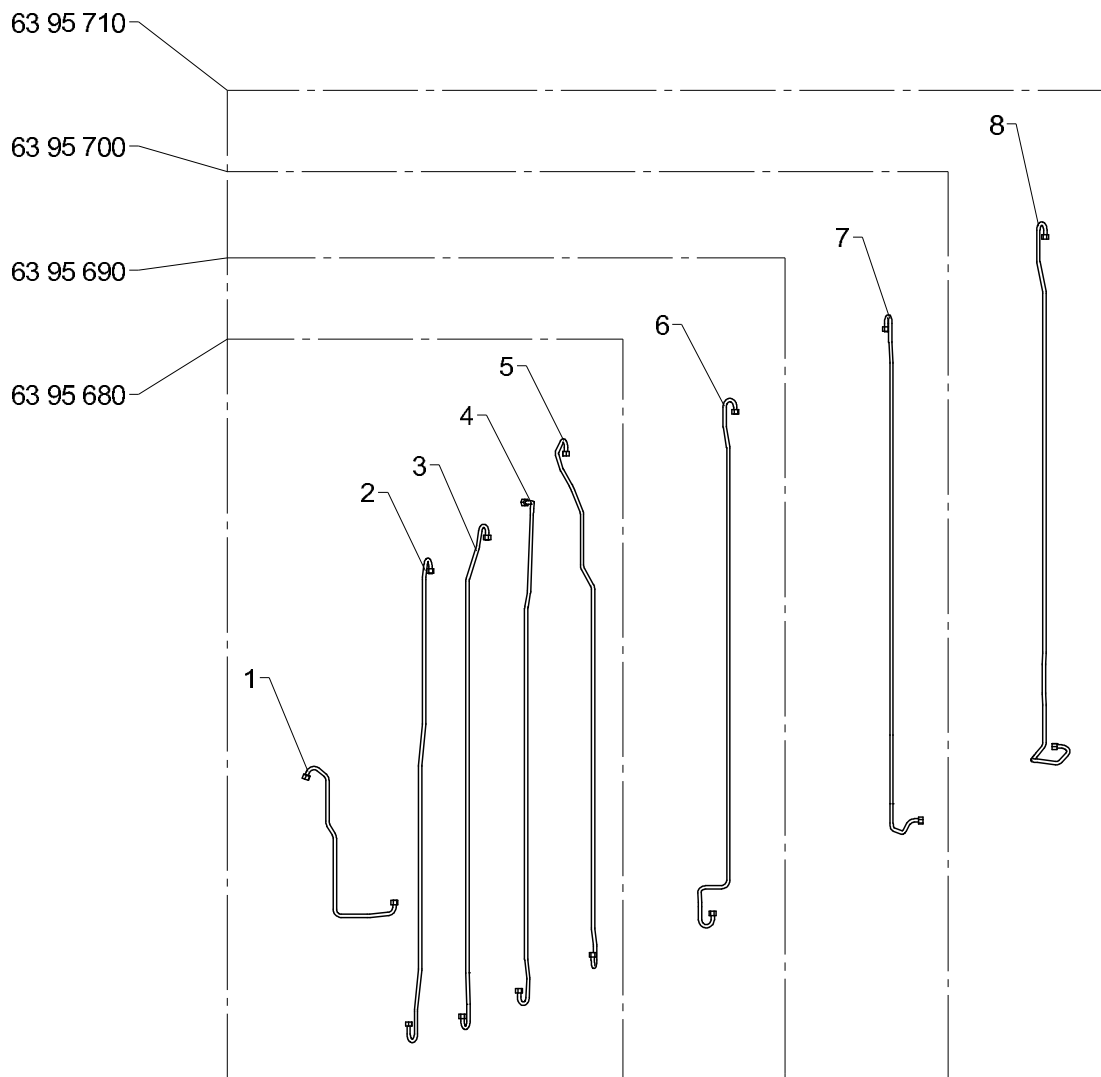
540 16 100

63 95 680

63 95 690

63 95 700

Internal ref. 63 95 710



**540 16 100**

From loader 1130001

To loader

Created 26-02-2013

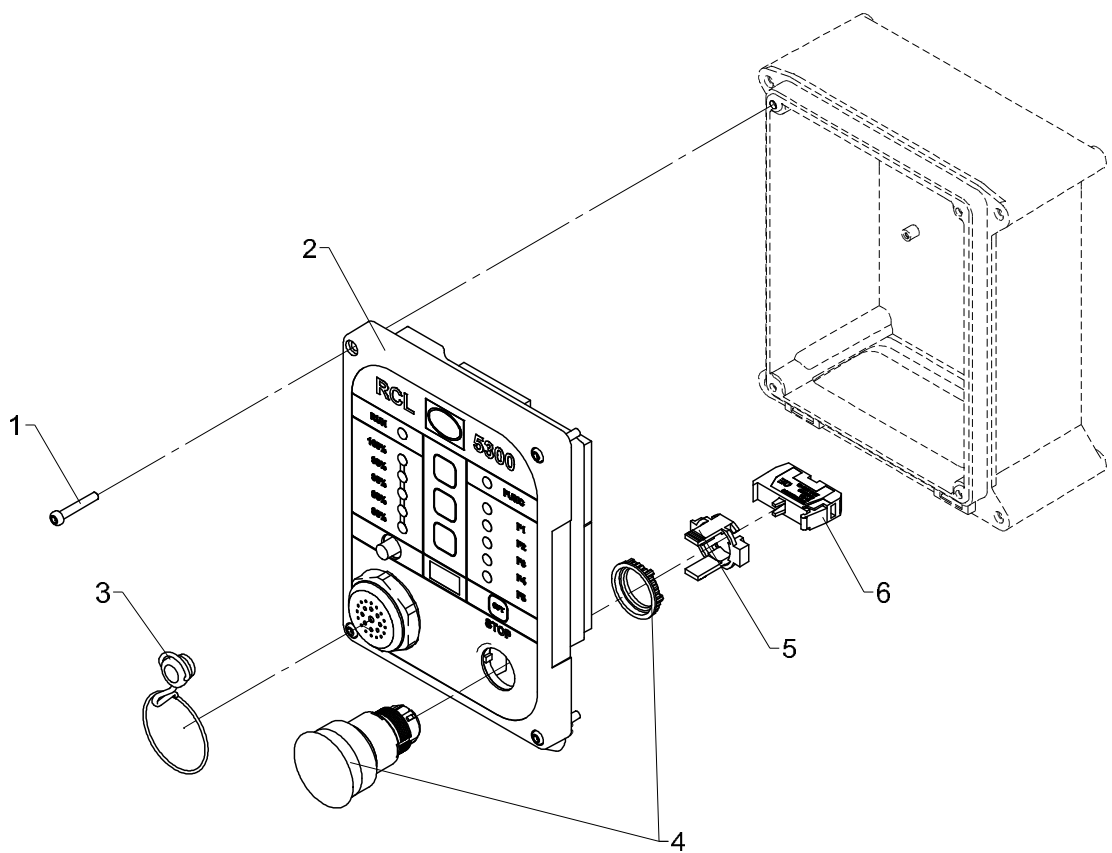
Modified

---

Pos	Qty.	Part no.	Description	Remarks
		6395710		
		6395700		
		6395690		
		6395680		
1	1	6394681		
2	1	6394683		
3	1	6394685		
4	1	6394687		
5	1	6394689		
6	1	6394692		
7	1	6394694		
8	1	6394696		



# 32/222 PARTS





# RCL 5300

**540 20 320**

From loader 1130001

To loader

Created 08-04-2008

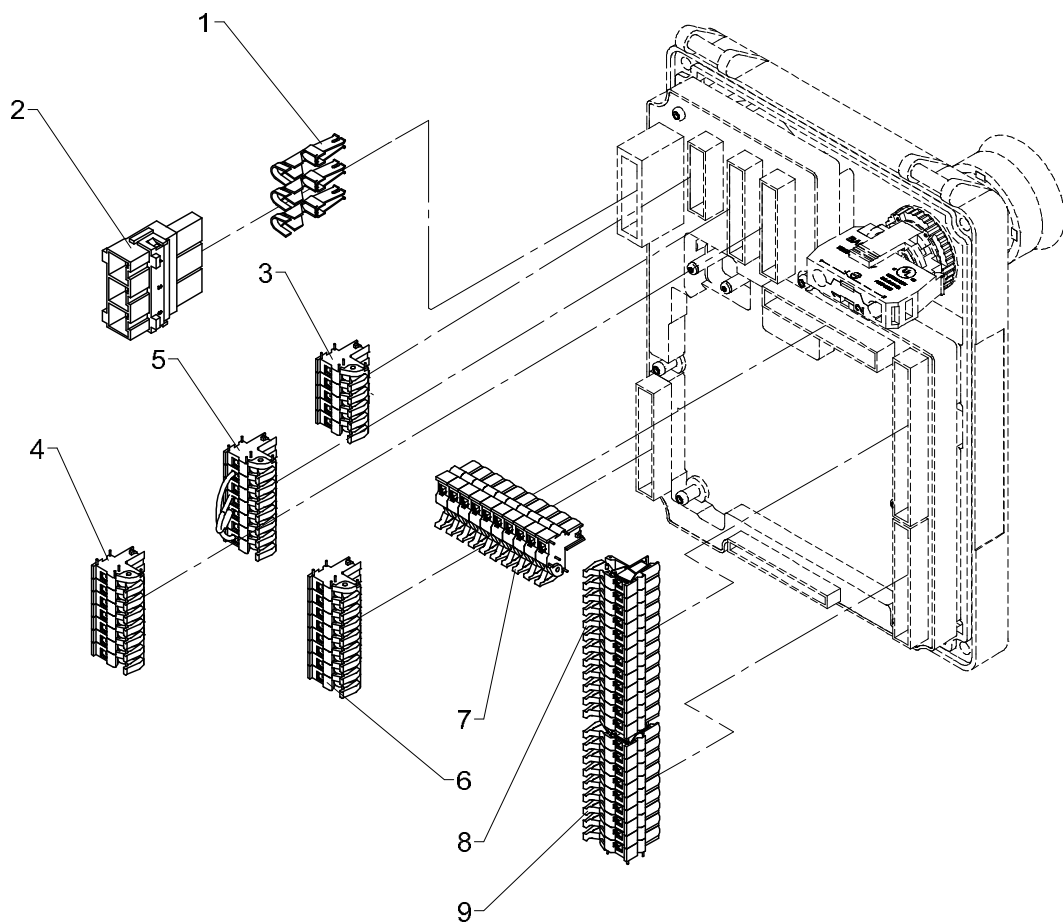
Modified 12-03-2009

---

Pos	Qty.	Part no.	Description	Remarks
1	4	30347	Screw, stainless	4,0 x 25
2	1	29301	Front complete, RCL 5300	
3	1	29306	Plug	
4	1	29196	Stop button	
5	1	29198	Attachment, stop button	
6	1	29197	Switch element, stop button	



# 32/222 PARTS



**540 20 330**

From loader 1130001

To loader

## Plugs in RCL

Created 16-04-2008

Modified 13-03-2009

---

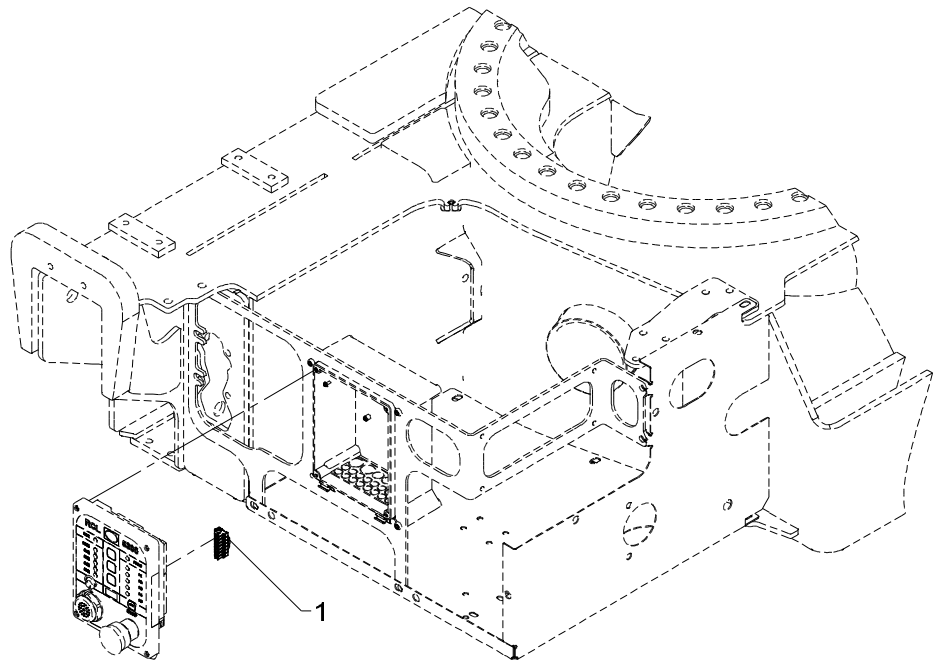
Pos	Qty.	Part no.	Description	Remarks
1	3	29316	Pin	
2	1	29315	Plug, 3-polar for RCL 53XX	
3	1	29317	Plug, 5-polar for RCL 53XX	
4	1	29318	Plug, 7-polar for RCL 53XX	
5	1	29340	CAN termination/RCL53xx	
6	1	29319	Plug, 8-polar for RCL 53XX	
7	1	29321	Plug, 10-polar for RCL 53XX	
8	1	29322	Plug, 12-polar for RCL 53XX	
9	1	29320	Plug, 9-polar for RCL 53XX	



540 20 340

## 32/222 PARTS

Internal ref. 70 04 210



**540 20 340**

From loader 1130001

To loader

Created 15-01-2013

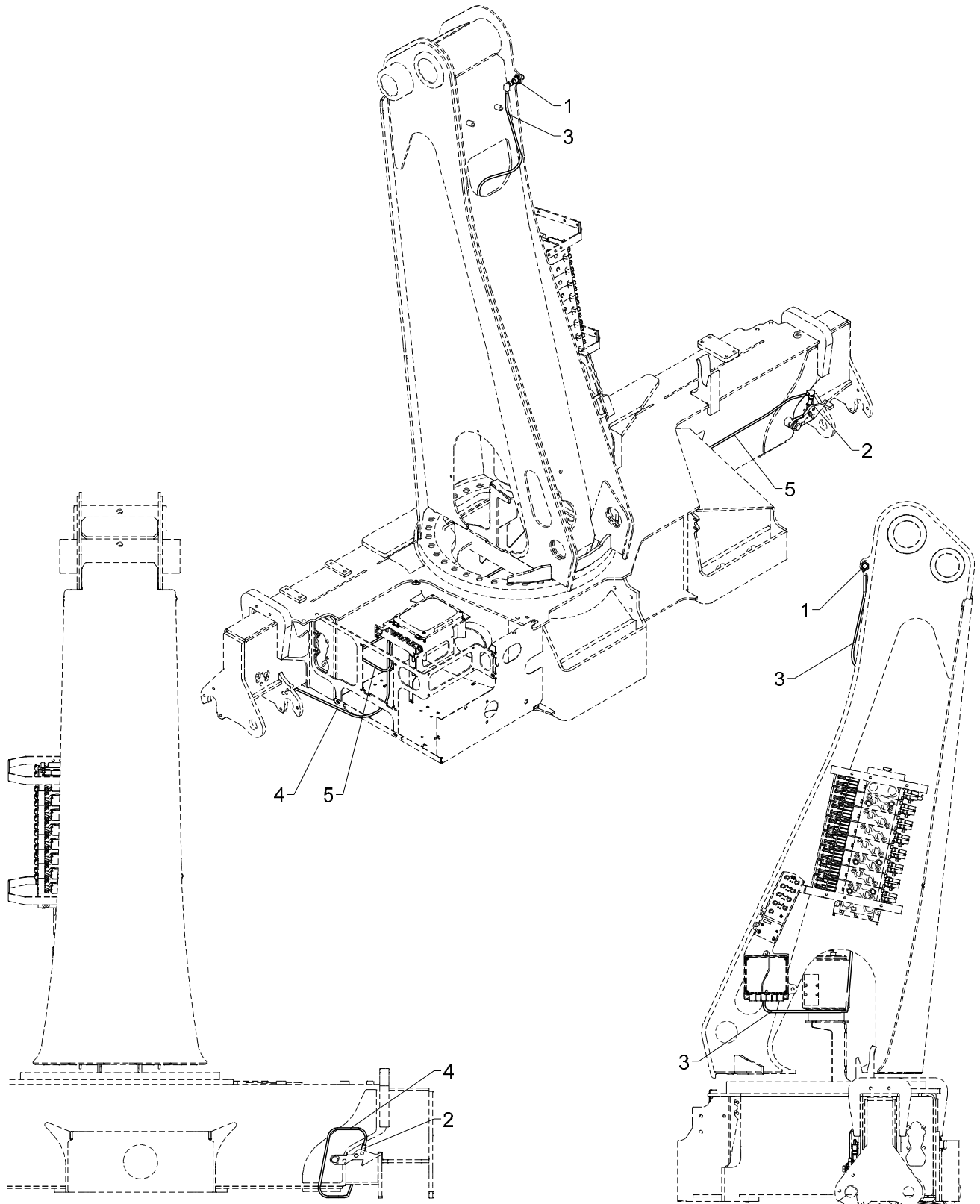
Modified

---

Pos	Qty.	Part no.	Description	Remarks
1	1	29340	CAN termination/RCL53xx	



# 32/222 PARTS



# BEHEW

**540 20 350**

From loader 1130001

To loader

Created 23-01-2013

Modified

---

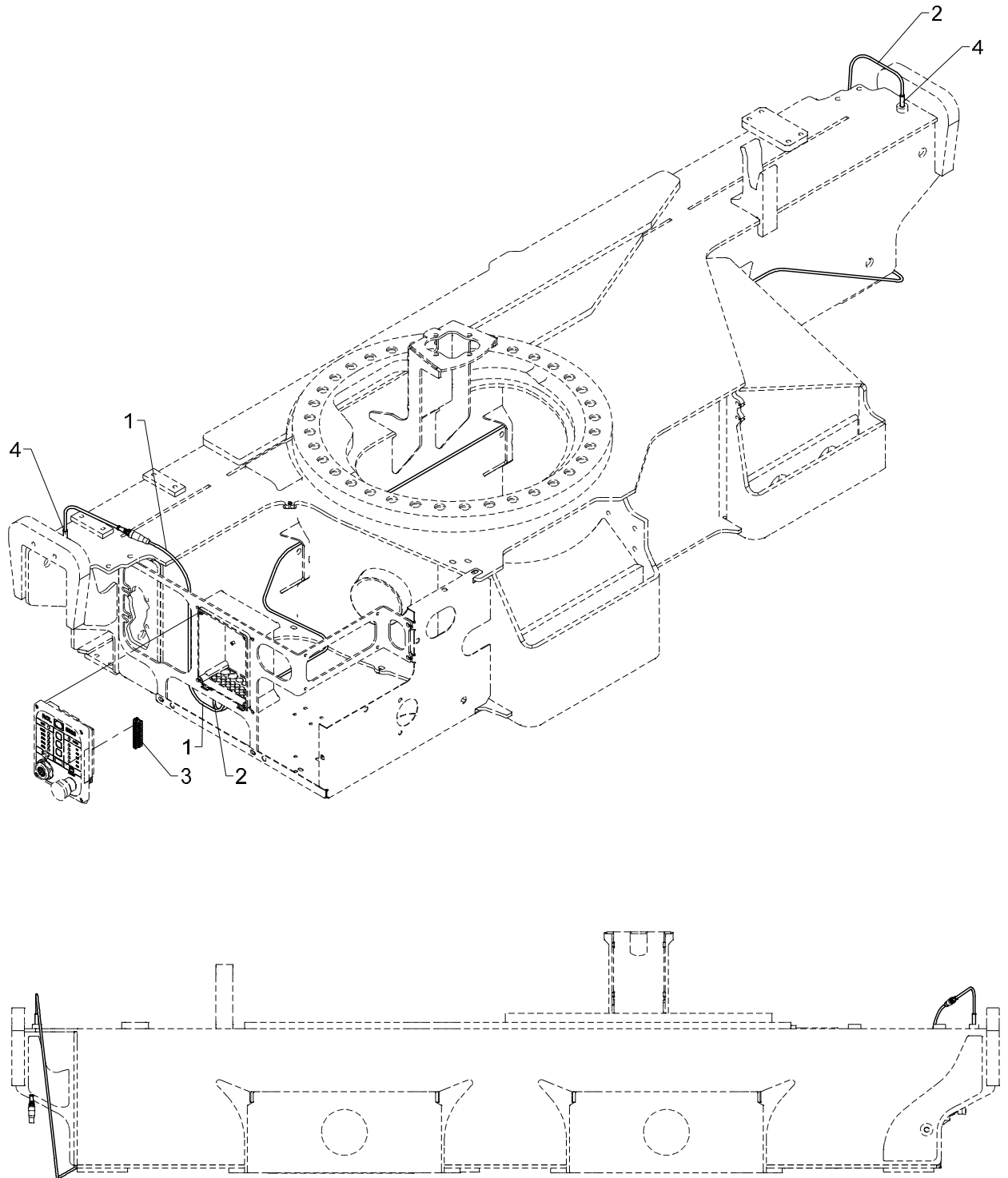
Pos	Qty.	Part no.	Description	Remarks
1	1	28980	Proximity switch	
2	2	29257		
3	1	28077	Cable with plug	2 m
4	1	28117	Cable with plug	
5	1	28077	Cable with plug	2,5 m



540 20 380

### 32/222 PARTS

Internal ref. 70 05 610





**540 20 380**

From loader 1130001

To loader

Created 18-12-2012

Modified

---

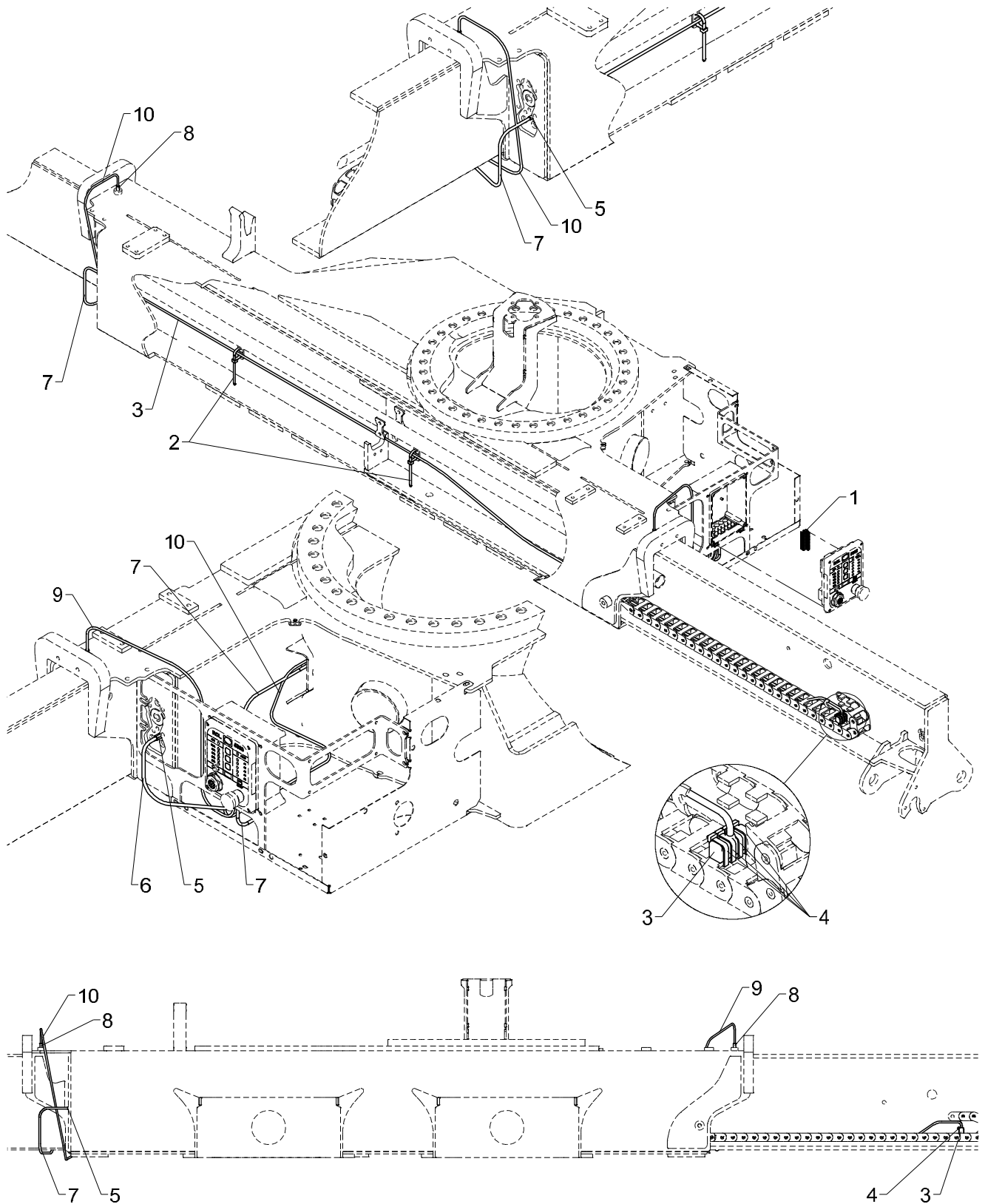
Pos	Qty.	Part no.	Description	Remarks
1	1	29223	Cable with socket, 2 m	
2	1	29224	Cable with socket, 5 m	
3	1	29322	Plug, 12-polar for RCL 53XX	
4	2	29282	Proximity switch M12-4mm NO	



540 20 390

# 32/222 PARTS

Internal ref. 70 05 620



# CYBEL

**540 20 390**

From loader 1130001

To loader

Created 19-02-2013

Modified

---

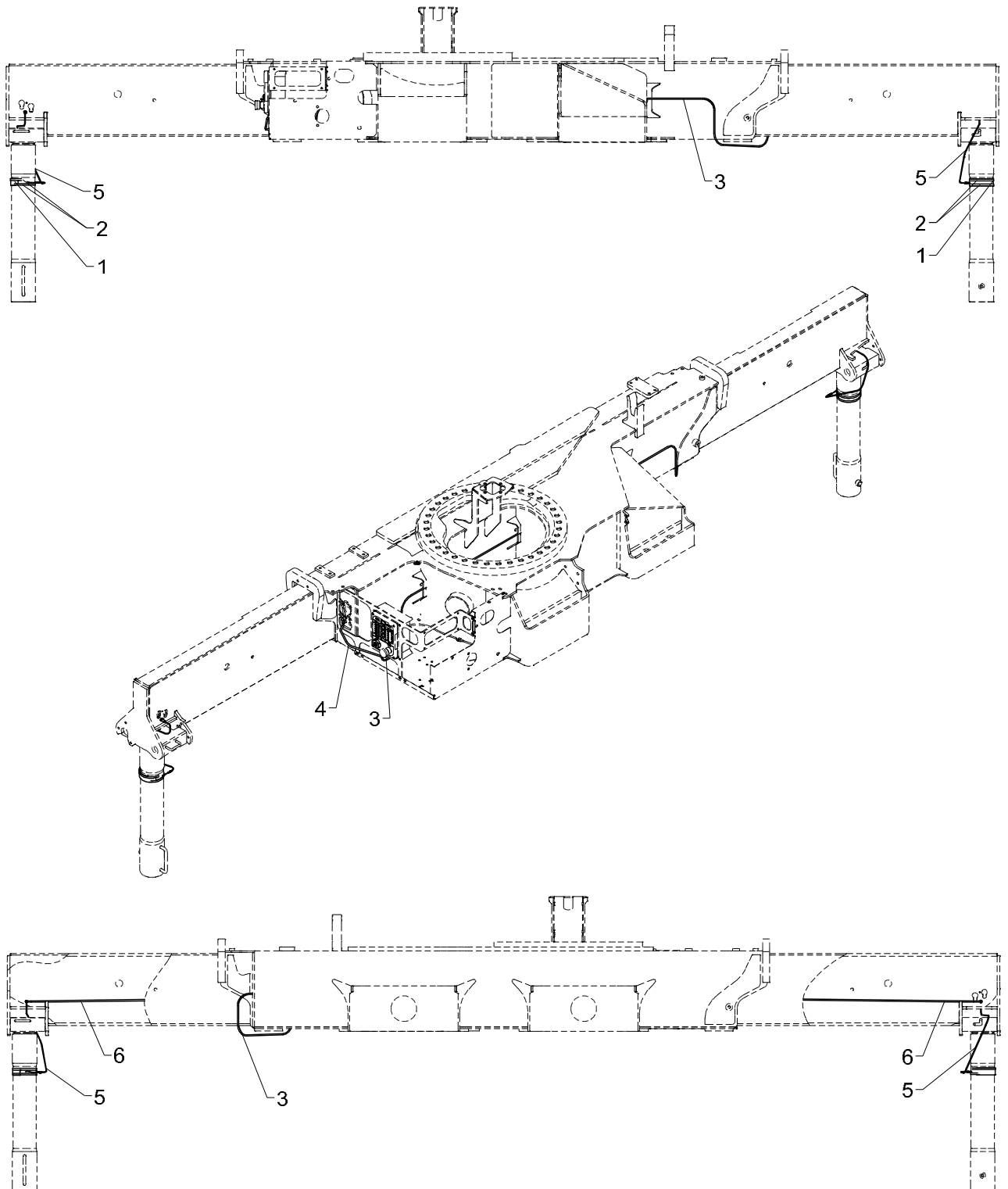
Pos	Qty.	Part no.	Description	Remarks
1	1	29322	Plug, 12-polar for RCL 53XX	
2	4	27275	Cable tie, black, 7.6x385mm	
3	2	29253	Tilt sensor, nylon drag chain	
4	8	27274	Clip	
5	2	29443		
6	1	29265	Cable 2 m, M8 socket	
7	1	29264	Cable 5 m, M8 socket	
8	2	29282	Proximity switch M12-4mm NO	
9	1	29223	Cable with socket, 2 m	
10	1	29224	Cable with socket, 5 m	



540 20 400

# 32/222 PARTS

Internal ref. 70 07 450



**540 20 400**

From loader 1130001

To loader

Created 20-02-2013

Modified

---

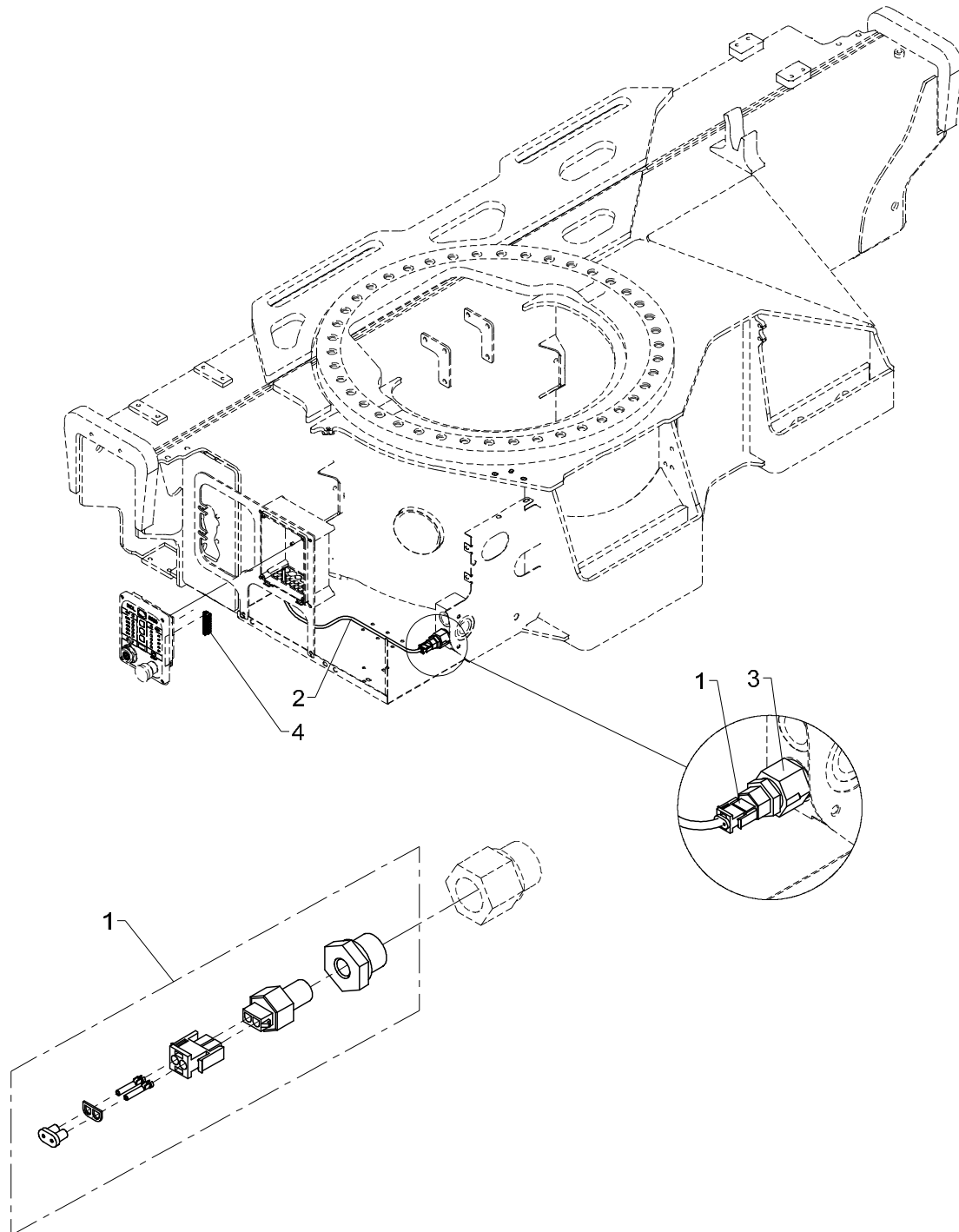
Pos	Qty.	Part no.	Description	Remarks
1	2	29432	Alarm flash, yellow 24V, 24 cm	
2	4	27275	Clip	
3	1	29483	Cable M8, 5 m, female, 3 polar	
4	1	29482		
5	2	29445	Cable, M8 - PUR 3-polar	
6	2	29436	Cable M8, socket and plug 6.3m	



540 20 410

### 32/222 PARTS

Internal ref. 70 07 570



**540 20 410**

From loader 1130001

To loader

Created 16-11-2012

Modified

---

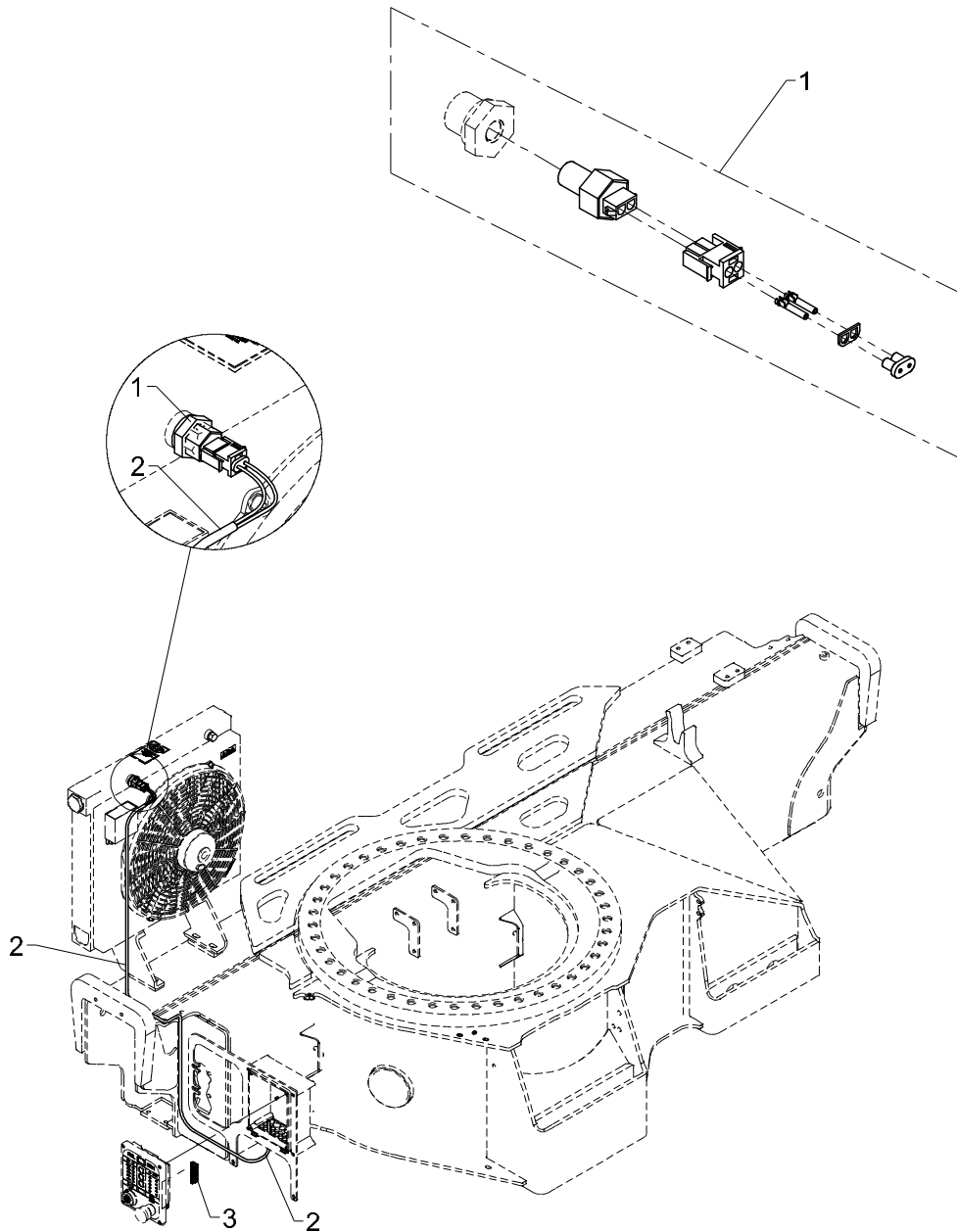
<b>Pos</b>	<b>Qty.</b>	<b>Part no.</b>	<b>Description</b>	<b>Remarks</b>
1	1	50290	Temperature sensor, oil cooler	
2	1	28249	Cable 2 x 0.75	1,5 m
3	1	25178	Reducing connection	RED-R 3/4-WD/R 1/2
4	1	29321	Plug, 10-polar for RCL 53XX	



540 20 420

# 32/222 PARTS

Internal ref. 70 06 140





**540 20 420**

From loader 1130001

To loader

Created 17-02-2011

Modified

## Temperature monitoring for oil cooler

---

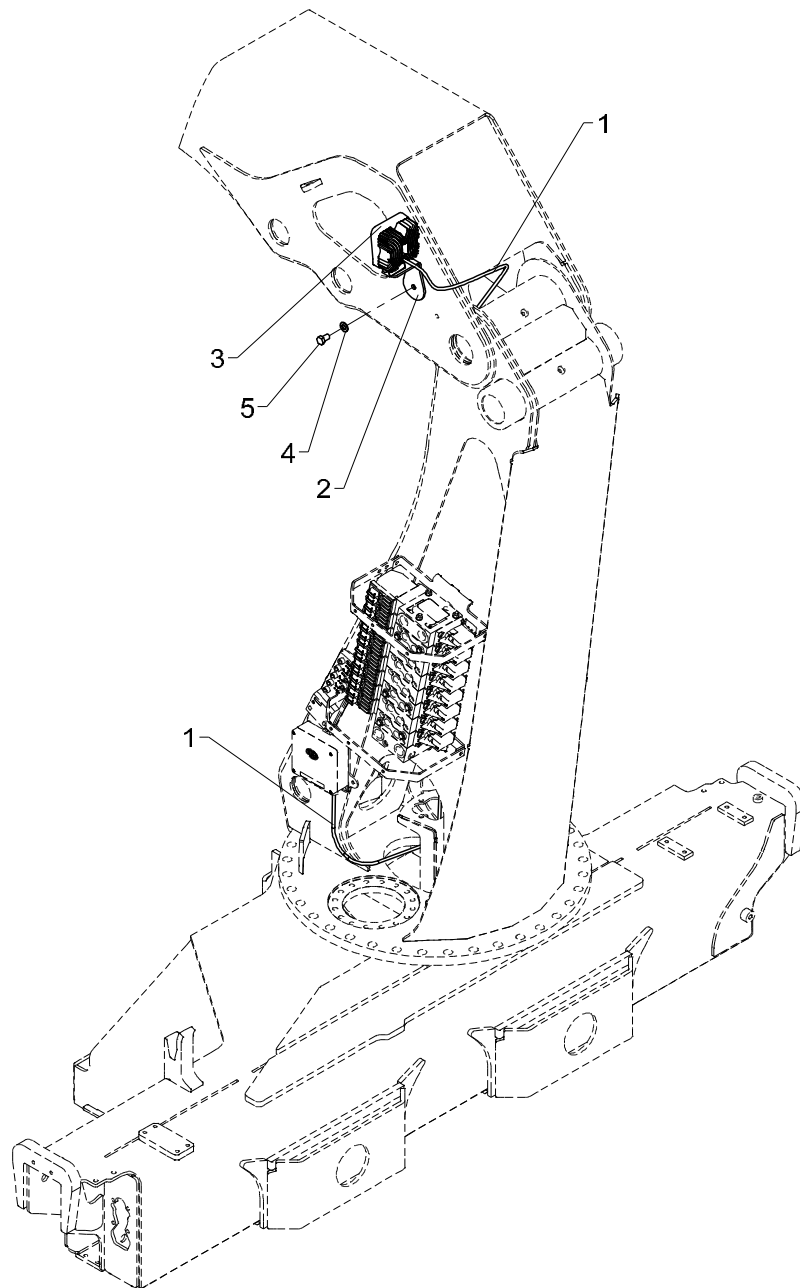
Pos	Qty.	Part no.	Description	Remarks
1	1	50290	Temperature sensor, oil cooler	
2	1	28249	Cable 2 x 0.75	2,3 m
3	1	29321	Plug, 10-polar for RCL 53XX	



540 20 430

### 32/222 PARTS

Internal ref. 70 07 520



**540 20 430**

From loader 1130001

To loader

Created 17-12-2012

Modified

## Spotlight, boom

---

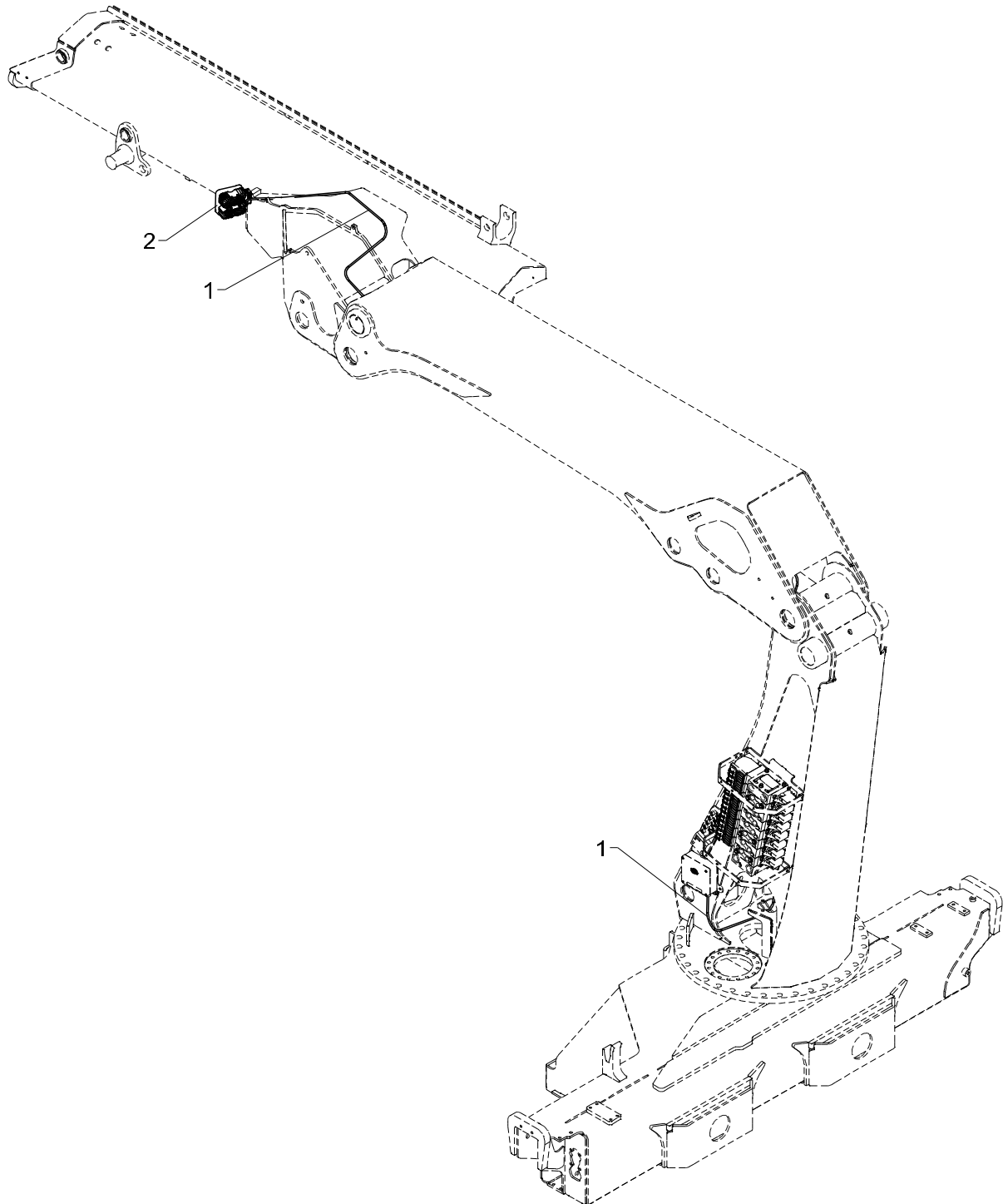
Pos	Qty.	Part no.	Description	Remarks
1	1	29462		
2	1	6340219	Fittings	
3	1	29400		
4	1	32338	Washer	12 mm
5	1	30175	Set screw	M12 x 20



540 20 440

### 32/222 PARTS

Internal ref. 70 07 510



# Spotlight, jib

**540 20 440**

From loader 1130001  
To loader

Created 17-12-2012  
Modified

---

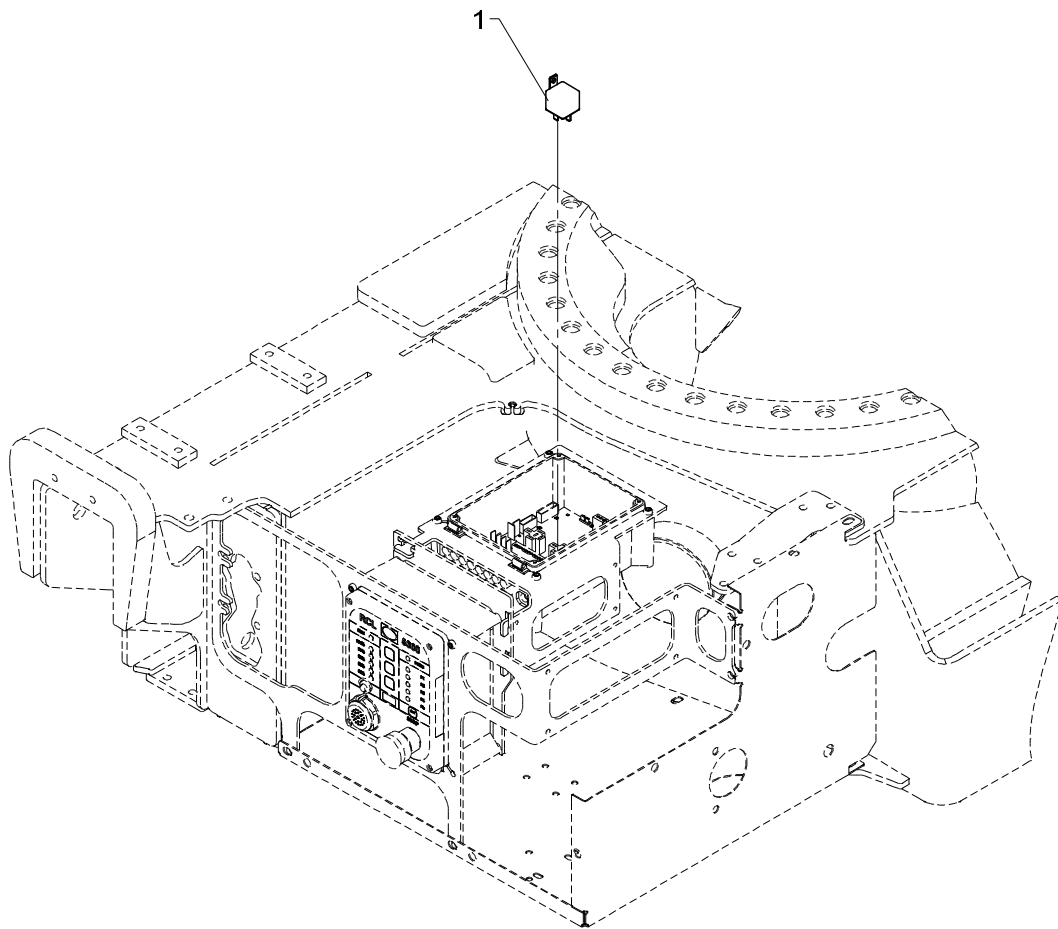
Pos	Qty.	Part no.	Description	Remarks
1	1	29462		
2	1	29400		



540 20 450

## 32/222 PARTS

Internal ref. 70 07 530



**540 20 450**

From loader 1130001

To loader

Created 01-02-2013

Modified

**Spotlight, radio remote controlled.**

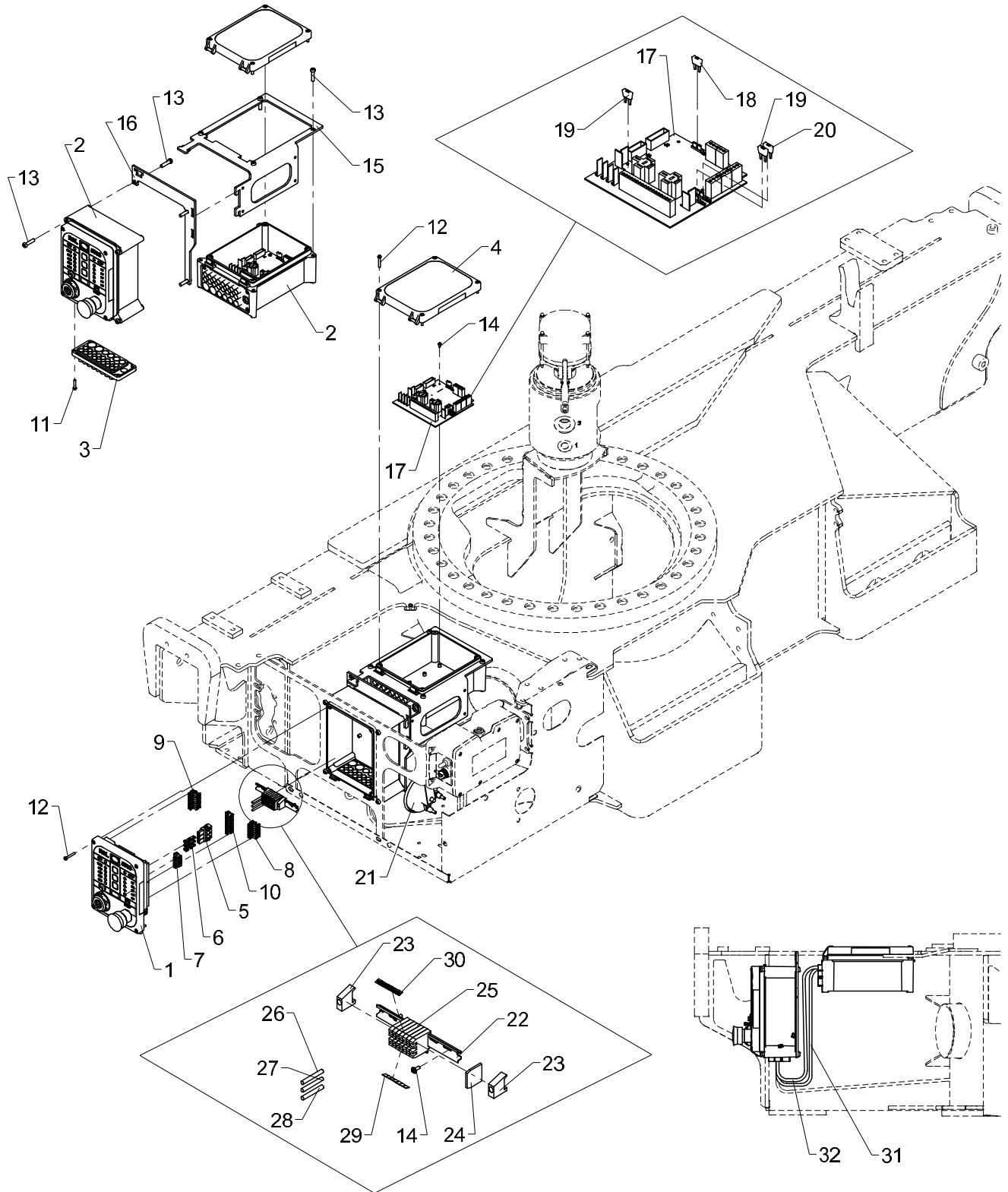
---

Pos	Qty.	Part no.	Description	Remarks
1	1	27342	Relay, 24V	



# 32/222 PARTS

Internal ref. 70 07 400





**540 22 290**

From loader 1130001

To loader

Created 22-02-2013

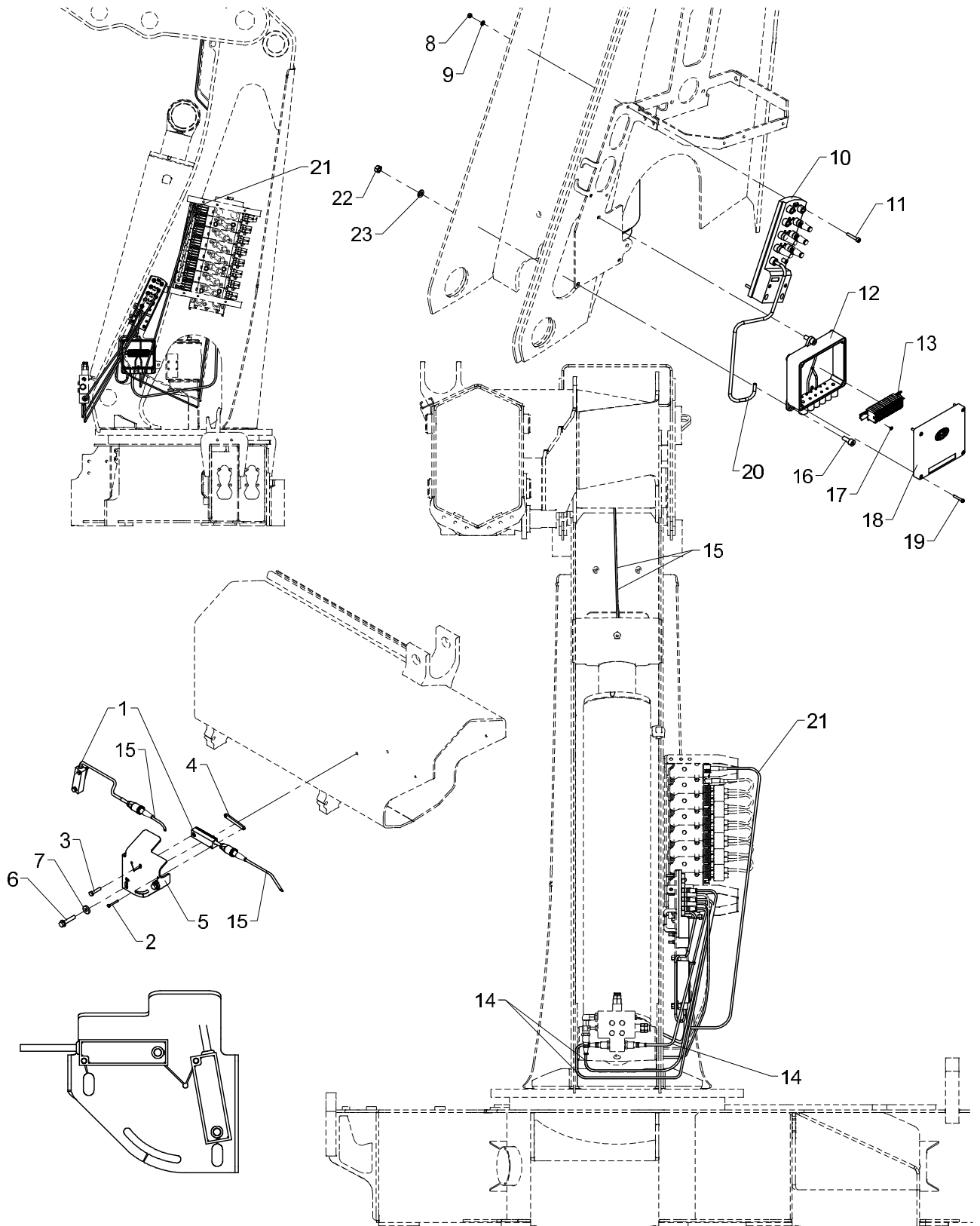
Modified

Pos	Qty.	Part no.	Description	Remarks
1	1	29301	Front complete, RCL 5300	
2	2	29304	Bottom f. RCL-box incl. hinge	
3	2	29307	Cable lead-in	
4	1	29347	RCL 5300 indicator panel	
5	1	29315	Plug, 3-polar for RCL 53XX	
6	3	29316	Pin	
7	1	29317	Plug, 5-polar for RCL 53XX	
8	1	29318	Plug, 7-polar for RCL 53XX	
9	1	29319	Plug, 8-polar for RCL 53XX	
10	1	29320	Plug, 9-polar for RCL 53XX	
11	8	30346	Screw, stainless	4,0 x 20
12	8	30347	Screw, stainless	4,0 x 25
13	11	30340	Screw, stainless	6,0 x 25
14	8	30361	Screw, stainless	3,0 x 8
15	1	7004014		
16	1	7004015		
17	1	29473		
18	1	29369		
19	2	27822	Fuse	
20	1	29370		
21	1	28971	Horn	
22	1	28013	Guide rail	120 mm.
23	2	28012	End angle	
24	1	28011	End plate	
25	7	28010	Terminal	
26	1	27202	Cable	0,3 m
27	1	27204	Wire, 1 x1.5mm2	0,3 m
28	1	27120	Cable	0,3 m
29	1	28019	Labels nos. 1-10	
30	1	28965		
31	1	27221	Wire 5 x 1.5	0,7 m
32	1	28278	Cable 4 x 2.5	0,7 m



# 32/222 PARTS

Internal ref. 70 07 410



**540 22 300**

From loader 1130001

To loader

Created 18-12-2012

Modified

Pos	Qty.	Part no.	Description	Remarks
1	2	29295	Tilt sensor + 0.25 m cable	
2	2	31790	Set screw, stainless	M4 x 30
3	2	30115	Steel pin, stainless	M6 x 30
4	2	6390169	Plate	
5	1	6390168	Sensor fittings	
6	2	31092		M8 x 40
7	2	31755	Washer	
8	3	30853	Nut, stainless	M5
9	3	32308	Washer	5 mm
10	1	29470		
11	3	30425	Screw	MC5 x 30
12	1	29313	Bottom f. Fly-Jib box	
13	1	7006305		
14	3	29266	Cable, extension M12, 1.2 m	
15	2	29497		
16	3	30438	Screw	MC8 x 20
17	2	28693	Screw	Ø2.9 x 6.5
18	1	29314	Cover for Fly-Jib box	
19	4	30347	Screw, stainless	4,0 x 25
20	1	29456	CAN cable, M12, 2 m, female	
21	1	58978	Cable, CAN-bus 4 m, AMP grey	
22	3	30856	Nut, stainless	M8
23	3	31147	Face washer, 8 mm	

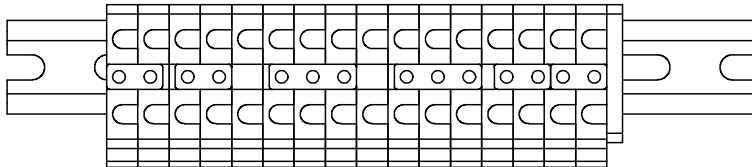


540 22 310

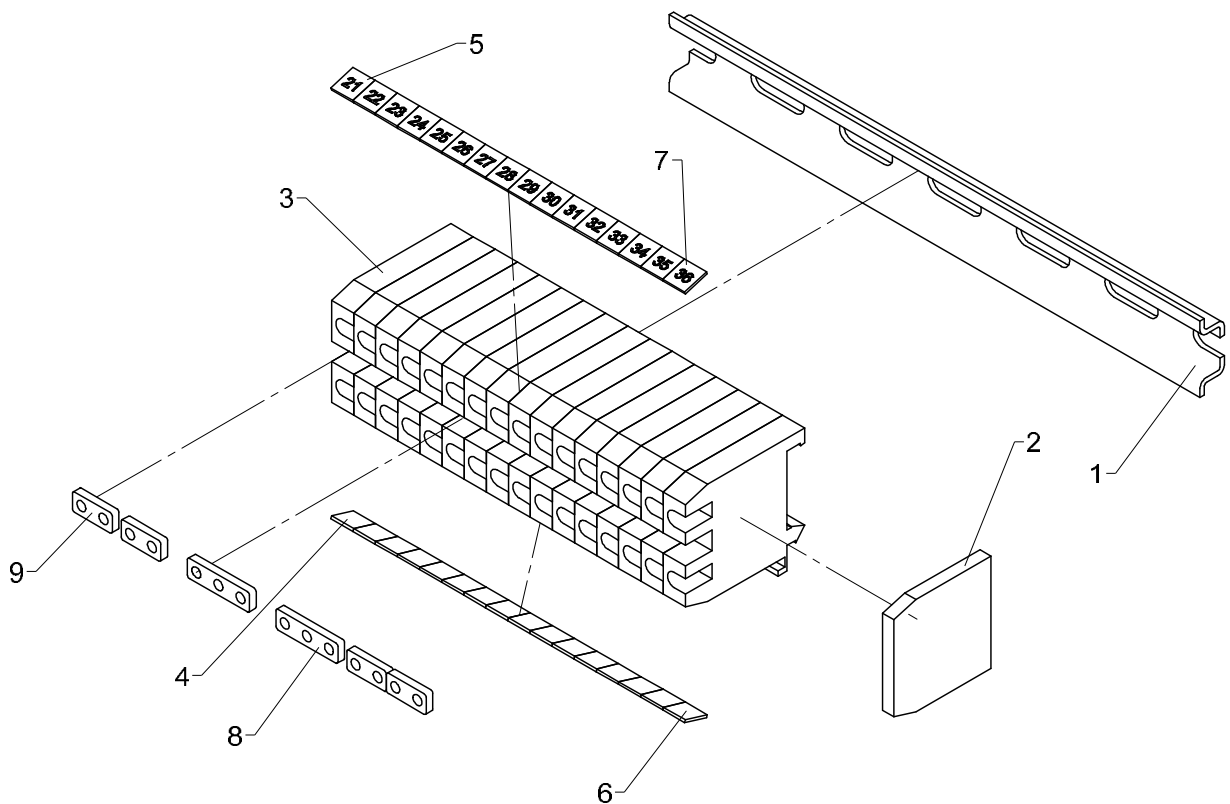
### 32/222 PARTS

Internal ref. 70 06 305

21	22	23	24	25	26	27	28	29	30	31	32	33	34	35	36
----	----	----	----	----	----	----	----	----	----	----	----	----	----	----	----



1	2	3	4	5	6	7	8	9	10	11	12	13	14	15	16
---	---	---	---	---	---	---	---	---	----	----	----	----	----	----	----



**540 22 310**

From loader 1130001

To loader

Created 17-12-2012

Modified

---

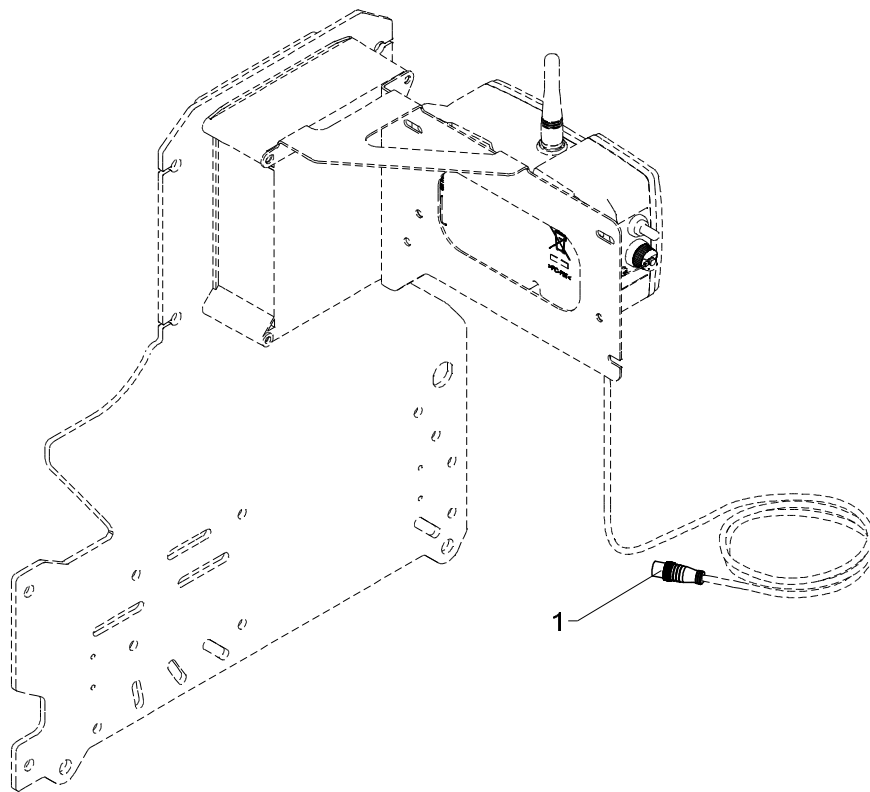
Pos	Qty.	Part no.	Description	Remarks
1	1	28013	Guide rail	120 mm.
2	1	28011	End plate	
3	16	28010	Terminal	
4	1	28019	Labels nos. 1-10	
5	1	28965		
6	1	28020	Labels nos. 11-20	
7	1	29427	Dekafix marker 31-40	
8	2	28014	Fish plate	
9	4	28208	Fish plate	



540 22 320

## 32/222 PARTS

Internal ref. 70 06 390



**540 22 320**

From loader 1130001

To loader

Created 03-09-2012

Modified

---

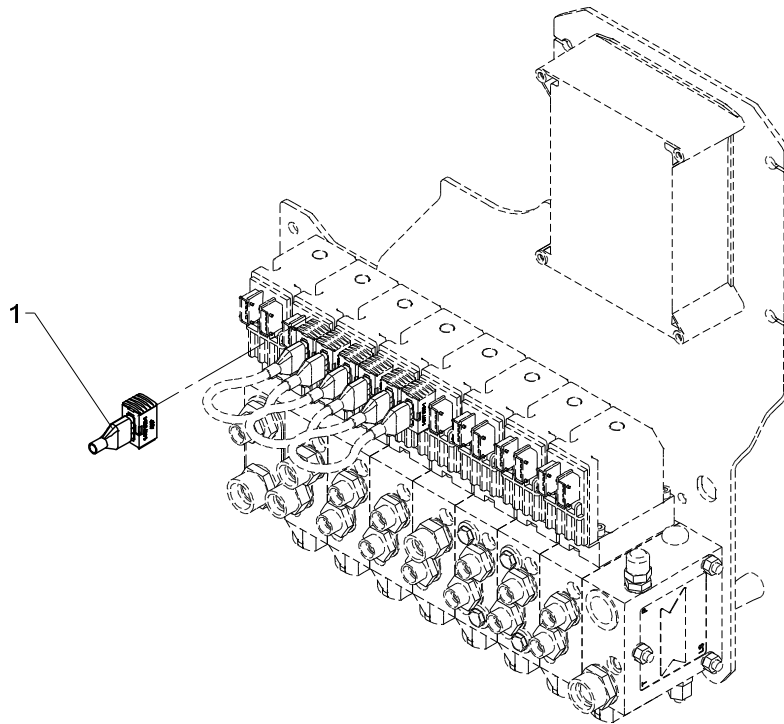
Pos	Qty.	Part no.	Description	Remarks
1	1	29486	Plug M12, termination	



540 22 330

## 32/222 PARTS

Internal ref. 70 06 630





**540 22 330**

From loader 1130001

To loader

Created 04-09-2012

Modified

---

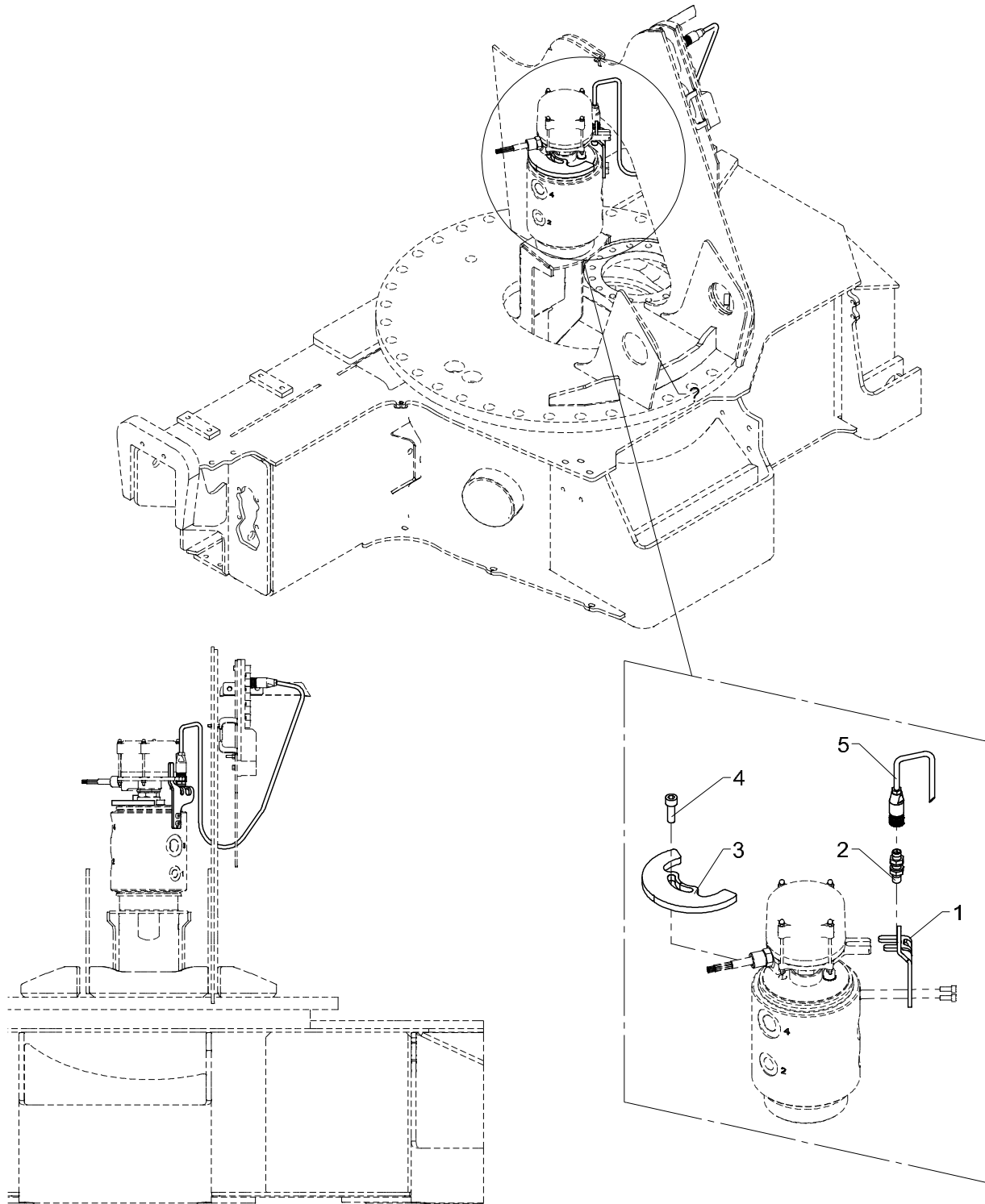
Pos	Qty.	Part no.	Description	Remarks
1	1	62297	Termination	



540 22 340

### 32/222 PARTS

Internal ref. 70 07 540



**540 22 340**

From loader 1130001

To loader

Created 12-11-2012

Modified 22-03-2013

## 2-stage LMB

---

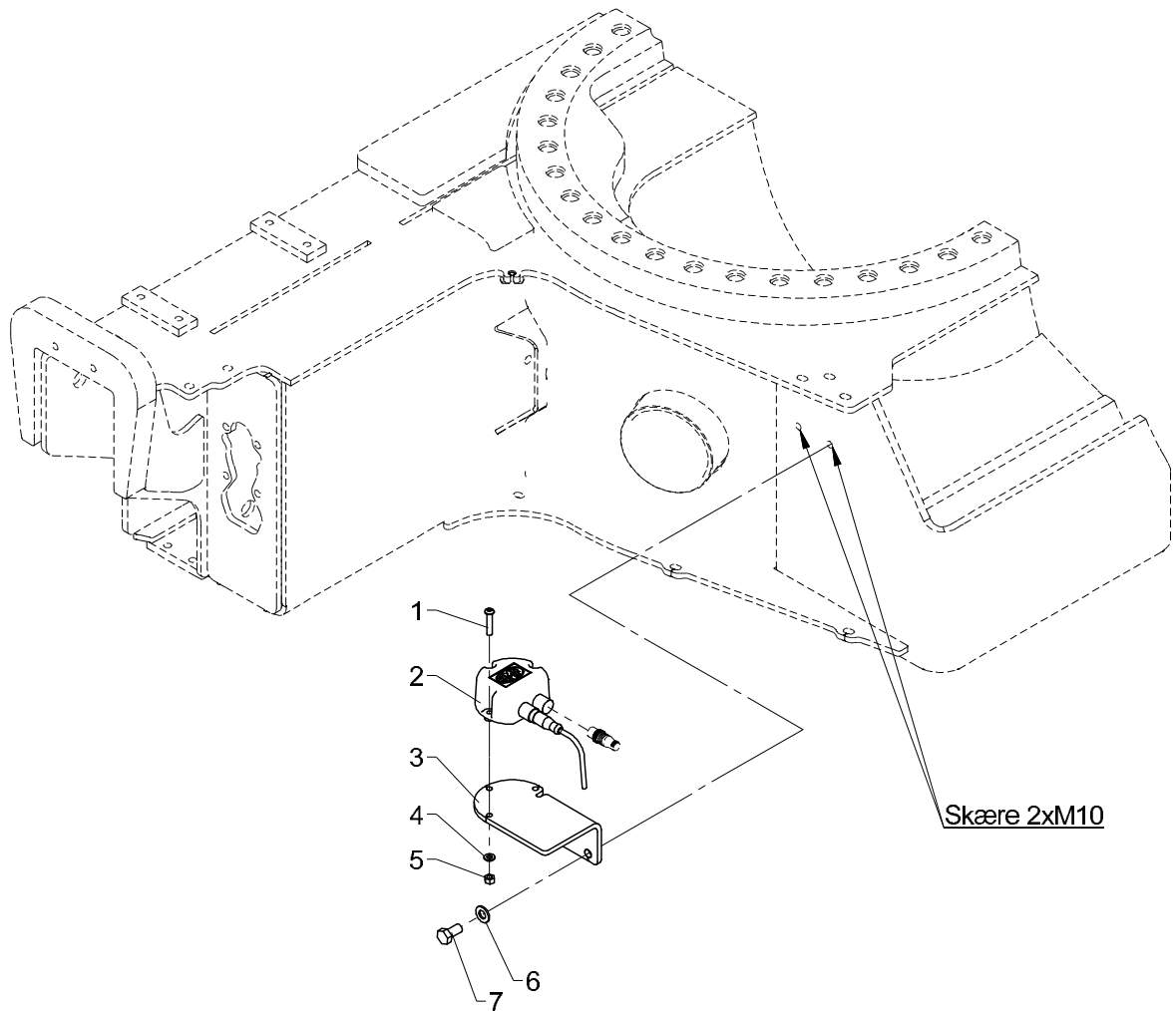
Pos	Qty.	Part no.	Description	Remarks
1	1	6302627		
2	1	29447	Proximity switchM12 8mm PNP-NO	
3	1	6302629		
4	1	30455	Screw	MC10 x 30
5	1	29266	Cable, extension M12, 1.2 m	



540 22 350

# 32/222 PARTS

Internal ref. 70 07 600



**EVS**

**540 22 350**

From loader 1130001

To loader

Created 07-01-2013

Modified

---

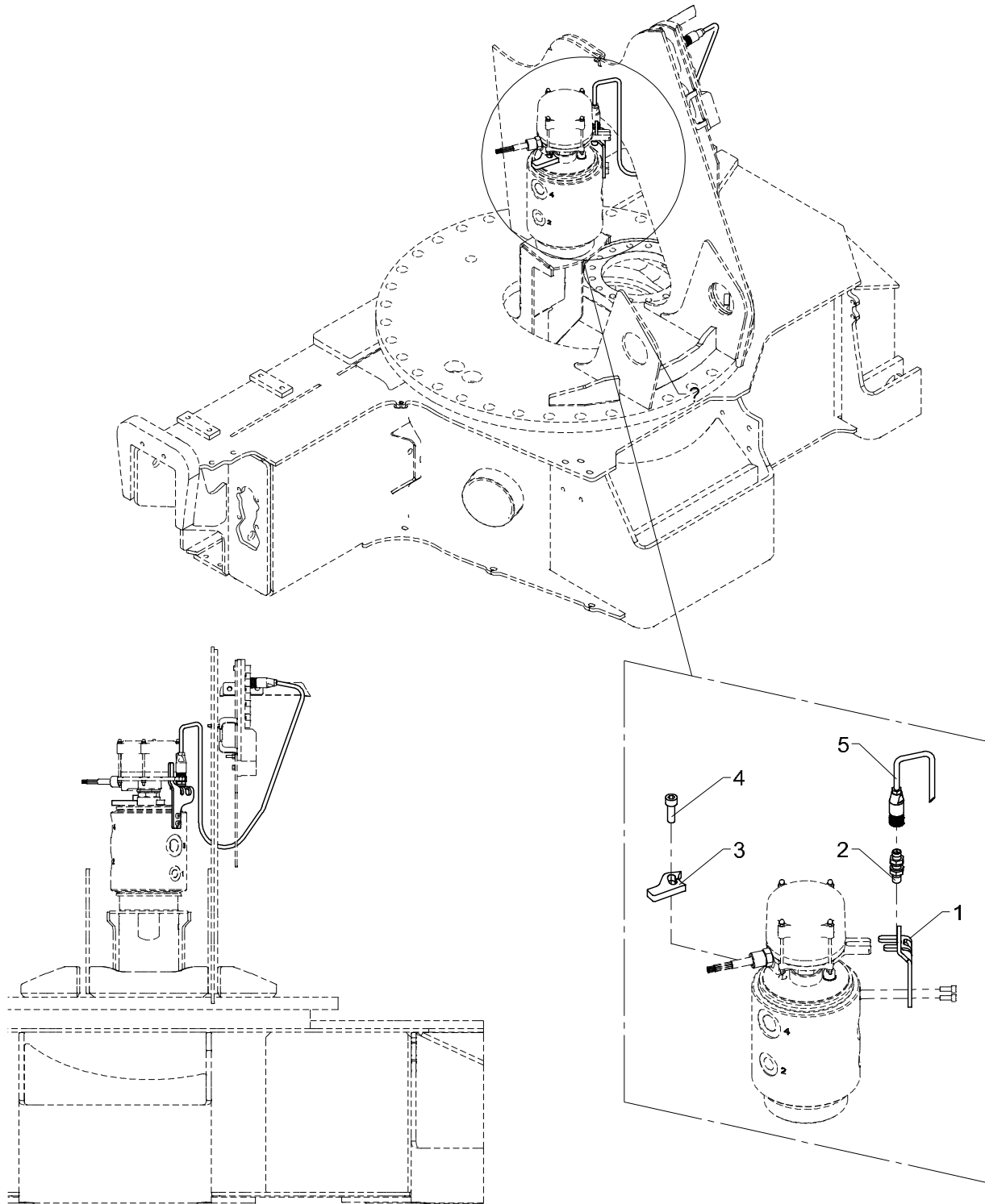
Pos	Qty.	Part no.	Description	Remarks
1	3	32458	Screw	M6 x 30
2	1	29426	Electronic inclinometer, single	
3	1	7000835		
4	3	32302	Face washer, stainless	6 mm
5	3	30884	Lock nut, stainless	M6
6	2	31565	Washer, stainless	10 mm
7	2	31517	Set screw, stainless	M10 x 20



540 22 360

### 32/222 PARTS

Internal ref. 70 07 430



**540 22 360**

From loader 1130001

To loader

Created 12-11-2012

Modified 22-03-2013

---

Pos	Qty.	Part no.	Description	Remarks
1	1	6302627		
2	1	29447	Proximity switchM12 8mm PNP-NO	
3	1	6302628		
4	1	30455	Screw	MC10 x 30
5	1	29266	Cable, extension M12, 1.2 m	



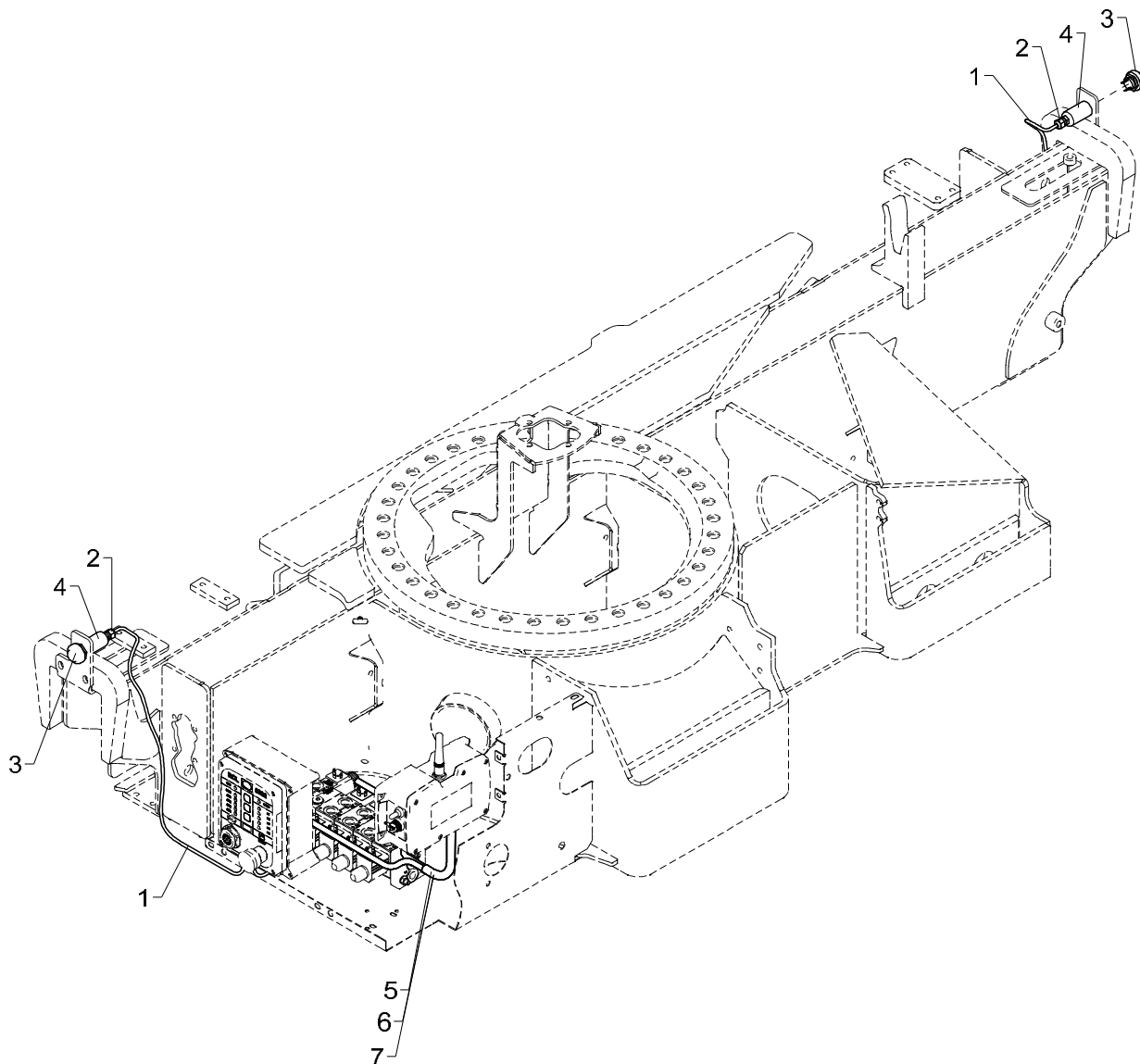
# 32/222 PARTS

540 22 390

70 07 470

70 07 480

Internal ref. 70 07 490





**540 22 390**

From loader 1130001

To loader

Created 08-01-2013

Modified

---

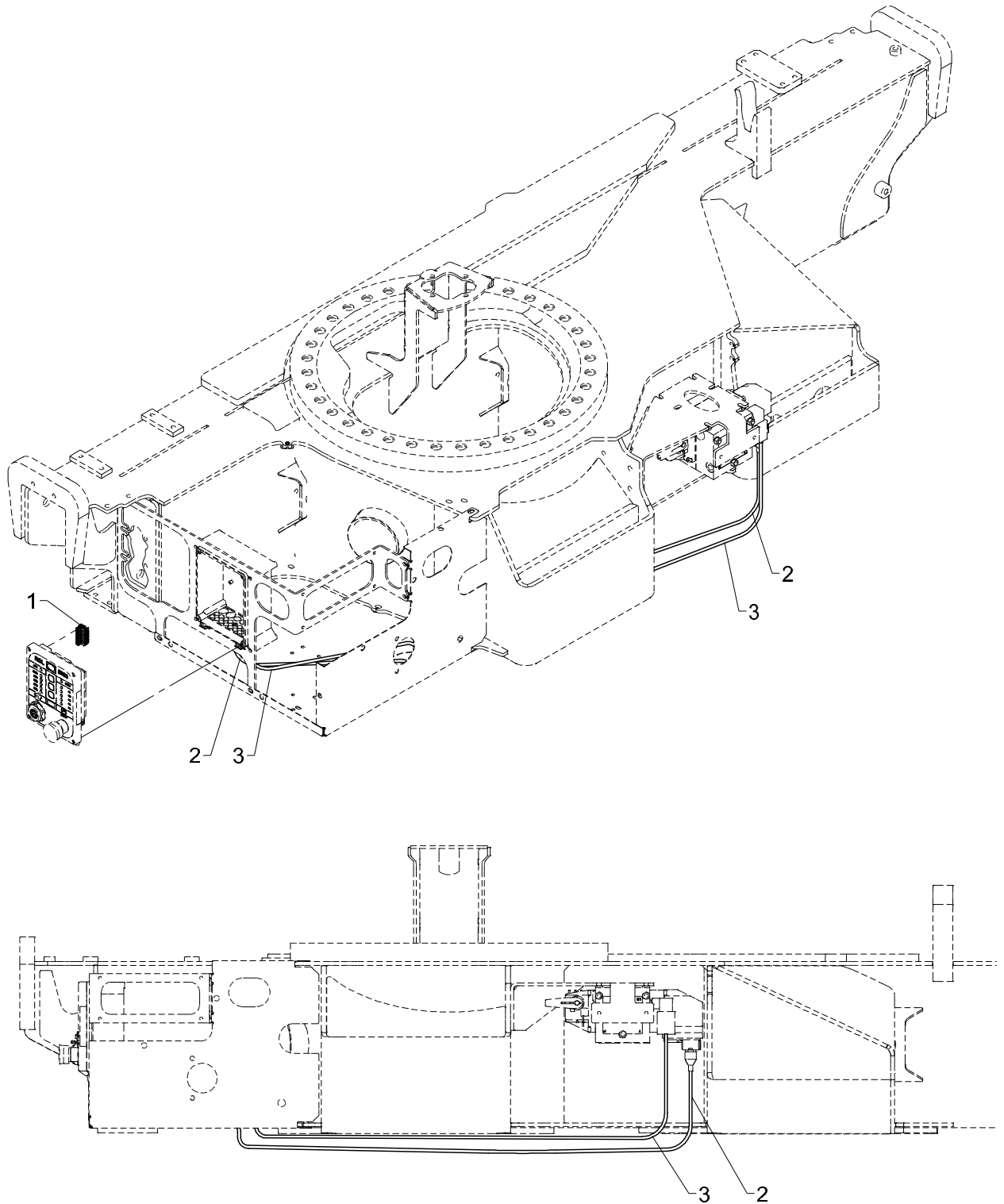
Pos	Qty.	Part no.	Description	Remarks
		7007490		
		7007480		
		7007470		
1	2	28148	Cable	6 m
2	2	28459		M12 x 1,5
3	2	27333	Pushbutton switch	
4	2	64574	Housing	
5	1	56723		70 07 490
6	1	56722		70 07 480
7	1	56721		70 07 470



540 22 400

### 32/222 PARTS

Internal ref. 70 07 550



**540 22 400**

From loader 1130001

To loader

Created 07-12-2012

Modified

---

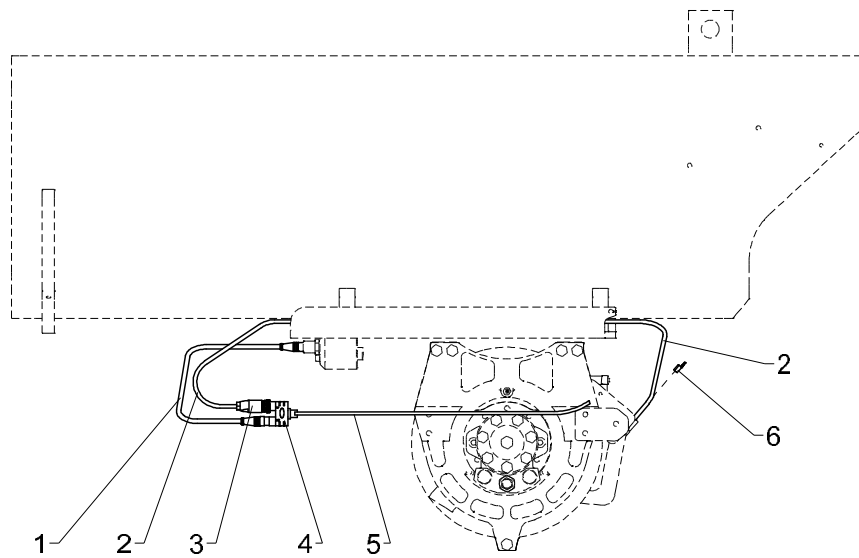
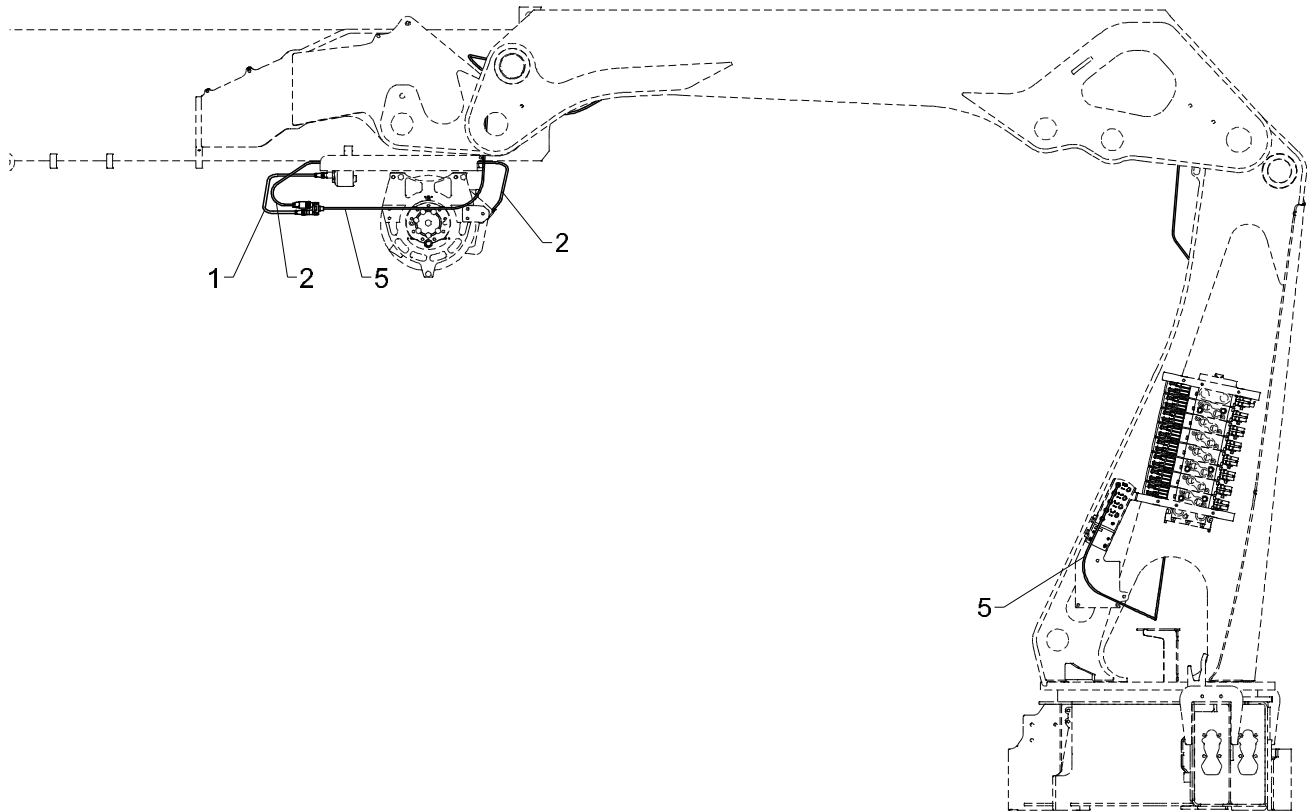
<b>Pos</b>	<b>Qty.</b>	<b>Part no.</b>	<b>Description</b>	<b>Remarks</b>
1	1	29319	Plug, 8-polar for RCL 53XX	
2	1	58978	Cable, CAN-bus 4 m, AMP grey	
3	1	28286	Cable, dump valve	



540 22 410

### 32/222 PARTS

Internal ref. 70 07 420



**540 22 410**

From loader 1130001

To loader

Created 14-12-2012

Modified

## Winch

---

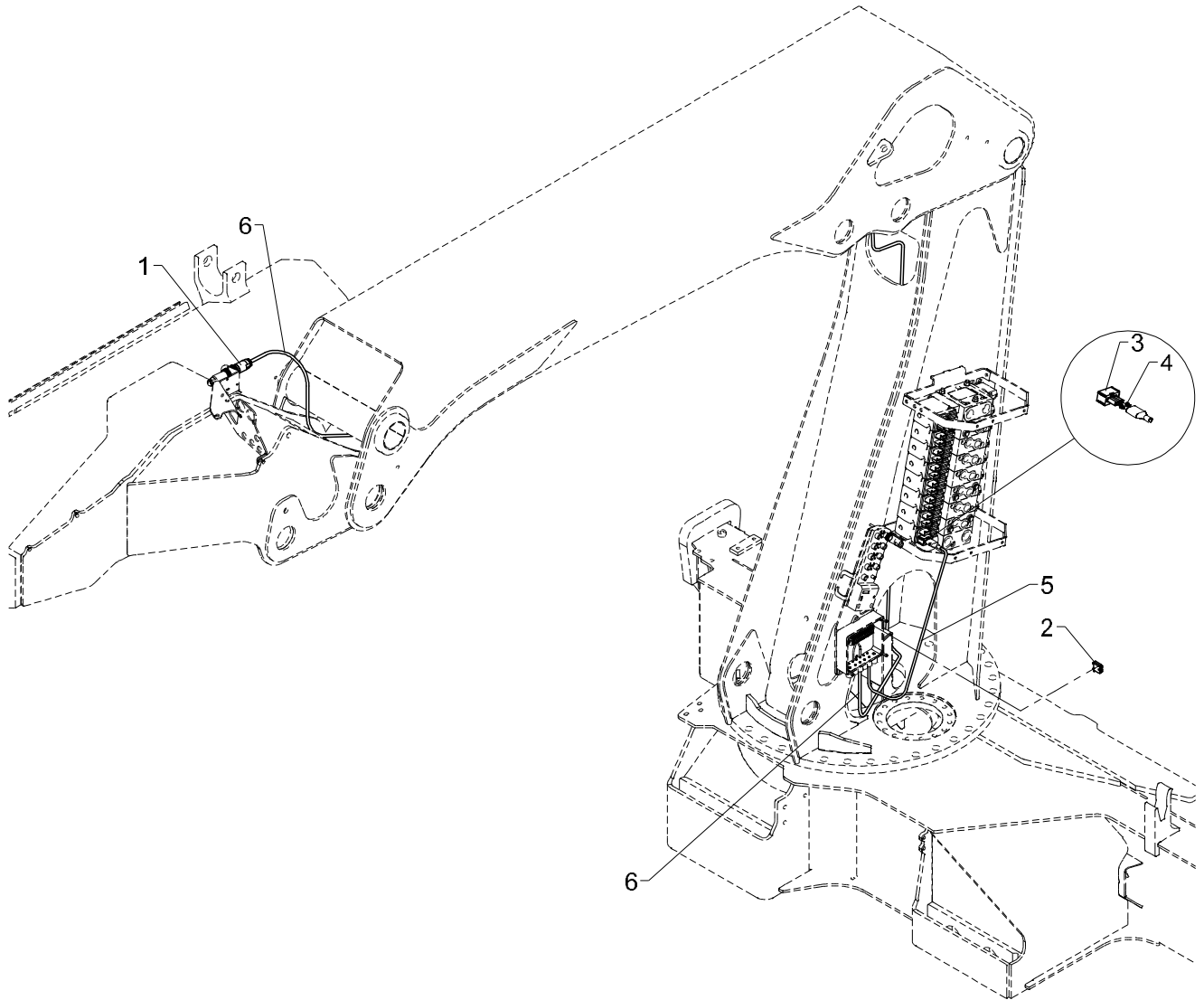
Pos	Qty.	Part no.	Description	Remarks
1	1	29266	Cable, extension M12, 1.2 m	
2	1	28249	Cable 2 x 0.75	
3	1	29268		
4	1	29477		
5	1	29459		
6	2	28700	Clip	



540 22 420

### 32/222 PARTS

Internal ref. 70 07 580



**540 22 420**

From loader 1130001

To loader

Created 09-01-2013

Modified

## Fly-Jib supply Column

---

Pos	Qty.	Part no.	Description	Remarks
1	1	29275		
2	2	28010	Terminal	
3	1	58954	Plug, AMP black	
4	2	29461		
5	1	28263	CAN BUS cable	1.5 m
6	1	28263	CAN BUS cable	6 m

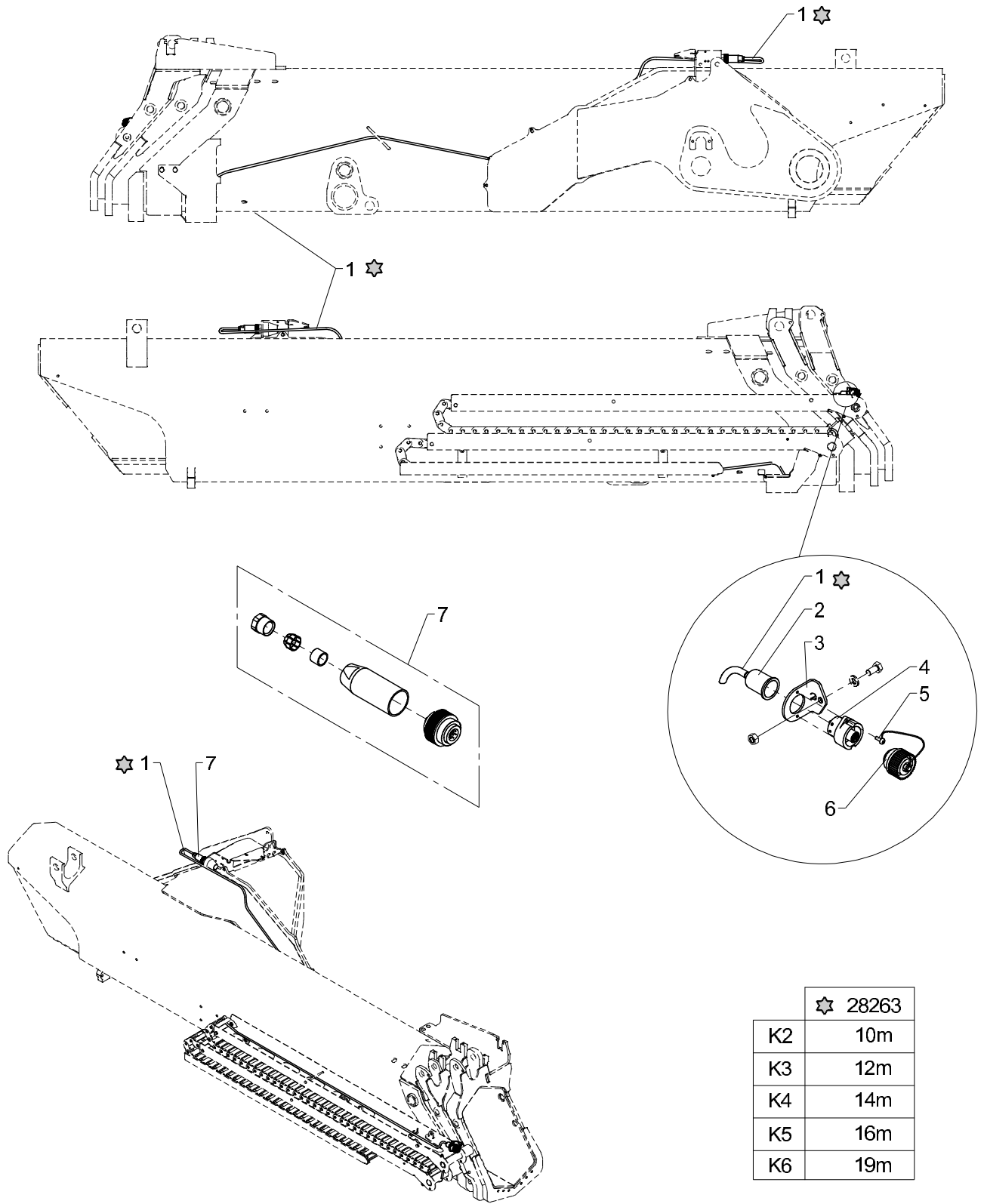


# 32/222 PARTS

540 22 430

70 06 130  
70 06 120  
70 06 110  
70 06 100

Internal ref. 70 05 780



★	28263
K2	10m
K3	12m
K4	14m
K5	16m
K6	19m



**540 22 430**

From loader 1130001

To loader

Created

Modified 01-02-2013

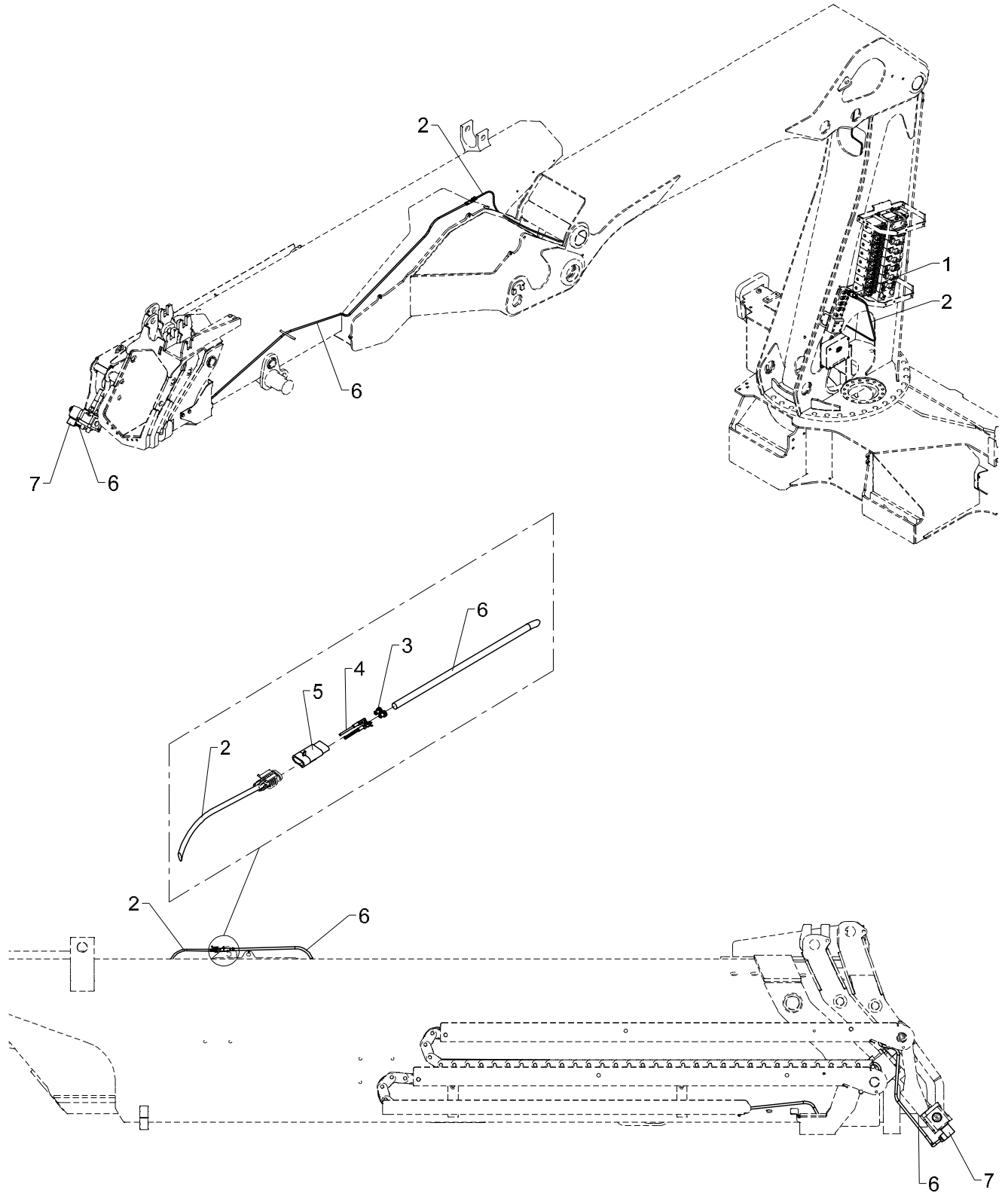
## FJ supply, hose guides

---

Pos	Qty.	Part no.	Description	Remarks
		7005780	FJ supply, hose guide, K2	
		7006100	Electric cable, FJ K3	
		7006110	Electric cable, FJ K4	
		7006120	Electric cable, FJ K5	
		7006130	Electric cable, FJ K6	
1	1	28263	CAN BUS cable	
2	1	29233	Protection	
3	1	6340779	Adapter	
4	1	29232	Socket, 7-polar, 10 A	
5	2	31030	Screw	M3 x 8
6	1	58103	Cover	
7	1	29285	Cable plug, 7-polar, 10 A	



# 32/222 PARTS



**540 22 450**

From loader 1130001

To loader

Created 05-12-2012

Modified

### 3rd extra valve

---

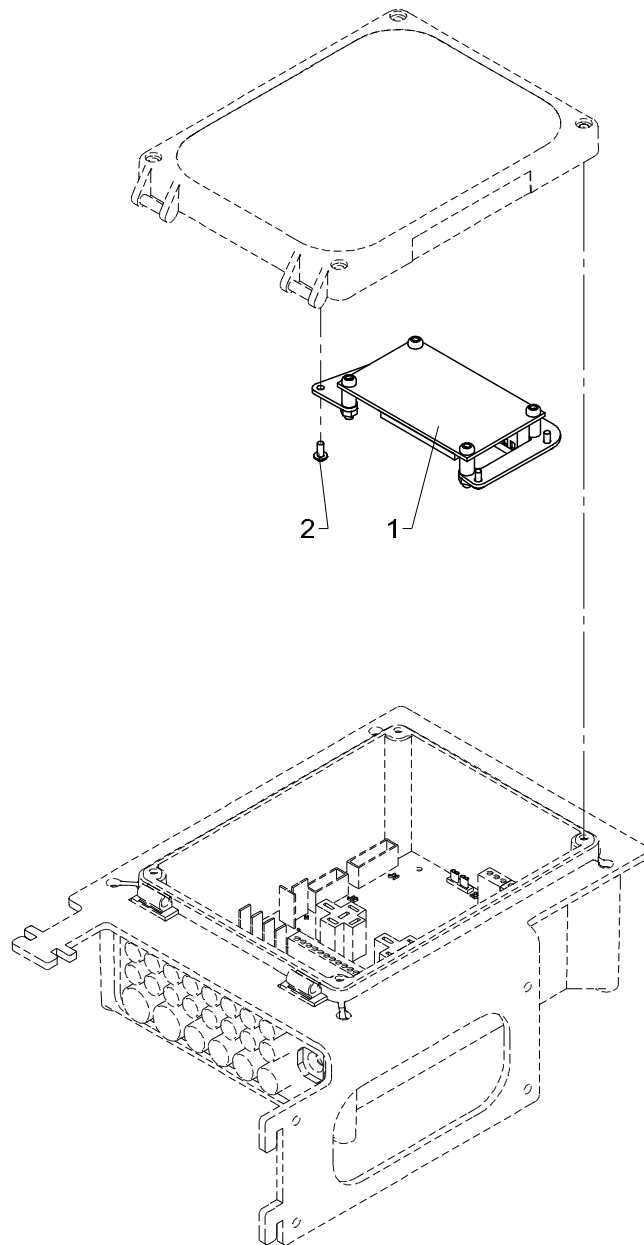
Pos	Qty.	Part no.	Description	Remarks
1	1	29268		
2	1	29462		
3	2	29159		
4	2	29161		
5	1	29160		
6	1	28249	Cable 2 x 0.75	18 m
7	1	28258	Plug, solenoid valve	



540 22 460

### 32/222 PARTS

Internal ref. 70 07 500



**540 22 460**

From loader 1130001

To loader

Created 28-01-2013

Modified

---

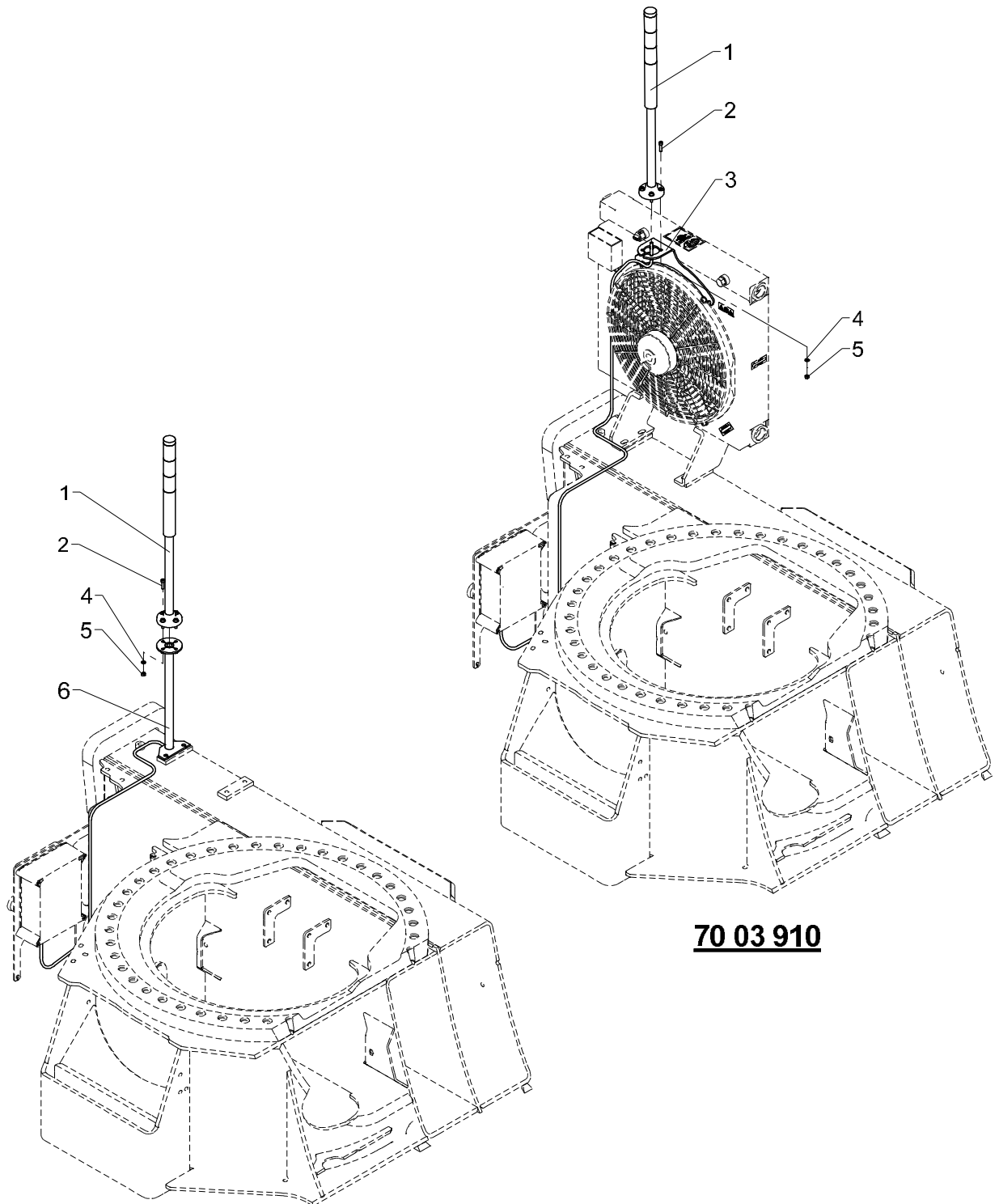
Pos	Qty.	Part no.	Description	Remarks
1	1	29474		
2	4	30361	Screw, stainless	3,0 x 8



540 22 480 A

### 32/222 PARTS

70 03 910  
Internal ref. 70 06 050



**70 06 050**

**70 03 910**

**Light tower**

---

<b>Pos</b>	<b>Qty.</b>	<b>Part no.</b>	<b>Description</b>	<b>Remarks</b>
		7006050	Light tower	
		7003910	Light tower + CIO5374	
1	1	29195	Light tower incl. foot + cable	
2	4	31590	Sockethead screw	MC5 x 20
3	1	6301382	Bracket for light tower	
4	4	32308	Washer	5 mm
5	4	30859	Lock nut, stainless	
6	1	6301383		