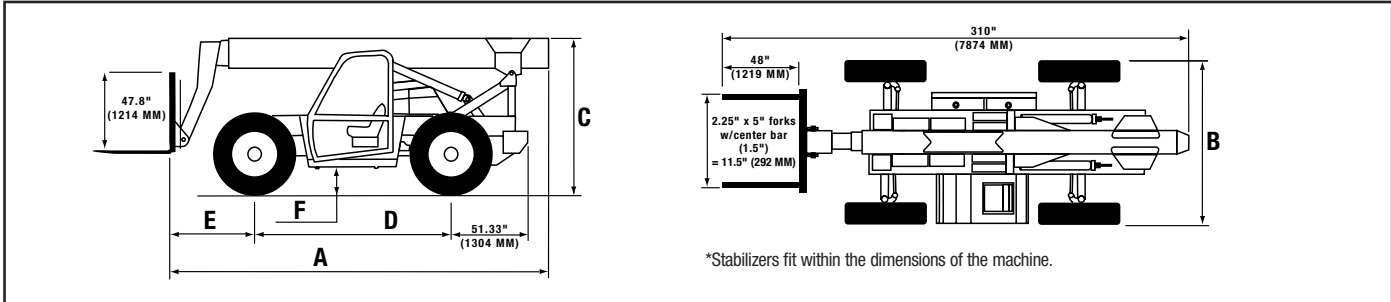


VR-1044C Material Handlers

SPECIFICATIONS



MACHINE DIMENSIONS*		FT / IN	MM
Overall Length (less forks)	A	21' 2"	6452
Overall Width	B	8' 6"	2591
Overall Height	C	7' 1"	2159
Wheelbase	D	10' 8"	3251
Drive Axle to Carriage Front	E	5' 7"	1702
Ground Clearance	F	1' 4"	406
Operating Weight**		27,265 lb	12393 kg
Tread Width		7' 3"	2210
Boom Extension		23' 7"	7188
Max Forward Reach		29' 4"	8941
Max Lift Height		44' 5"	13538
Max Reach @ Max Lift Height		2' 8"	813
Practical Placement Height		42' 6"	12955
Max Reach @ Practical Placement Height		6' 0"	1829
Max Reach Below Grade w/ Standard Carriage		2' 1"	635
TURNING RADIUS		FT / IN	MM
To Outside of Tires		12' 3"	3683
To Inside of Tires		7' 2"	2184
PERFORMANCE		LB	KG
WITH STABILIZERS (OPTIONAL) DOWN			
Boom Retracted @ Max Height		10,000	4545
Capacity @ Max Height		8,000	3636
Capacity @ Max Reach		4,700	2136
WITHOUT STABILIZERS			
Boom Retracted @ Max Height		10,000	4545
Capacity @ Max Height		7,000	3181
Capacity @ Max Reach		2,500	1136
FRAME LEVELING AT BOOM ANGLE LESS THAN 40°			
		Right 10°	
		Left 10°	
FRAME LEVELING AT BOOM ANGLE GREATER THAN 40°			
		Right 4°	
		Left 4°	

44-ft 5-in
Maximum Lift Height

110 hp
EPA Tier II
Turbocharged Diesel Engine

10,000 lb
Rated Lift Capacity



* Vehicle dimensions with 24-in (600 mm) load center.

** Lightest machine — no attachment, air-filled tires and open ROPS.

VR-1044C Material Handlers

SPECIFICATIONS

BOOM

Boom Type	3-stage
Max Boom Angle	70°
Min Boom Angle	-6°
Telescope Extend Speed	16.2 seconds
Telescope Retract Speed	14.2 seconds
Boom Raised	13.7 seconds
Boom Lowered	11.7 seconds
Carriage Rotation	113°

ENGINE

Make / Model	Cummins QSB4.5-30-T
Fuel / Cooling	Diesel / liquid
SAE net hp	110 hp (82.1 kW)
Fuel Tank Capacity	35 gal (132.65 L)

OPERATION

Steering	2-wheel, 4-wheel or crab steering available controlled by steering wheel.
Drive	All-wheel drive
Hydraulics	Boom lift, telescope, carriage rotate & auxiliary boom circuit controlled by single joystick. Optional stabilizers controlled by console switch.
Transmission	3-speed powershift with soft shift

STANDARD FEATURES

- Rear axle stabilization
- Single joystick control
- Single auxiliary hydraulics
- Air cleaner restriction indicators
- Back-up alarm
- Boom angle indicator
- Cup holder
- Engine coolant heater
- Frame level indicator
- Horn and seat belt
- Lockable engine hood
- 12V power port
- Lockable battery cover
- Lockable fuel tank cap
- Lockable hydraulic tank cap
- Lockable toolbox
- Rear wiper/washer

OPTIONS / ACCESSORIES

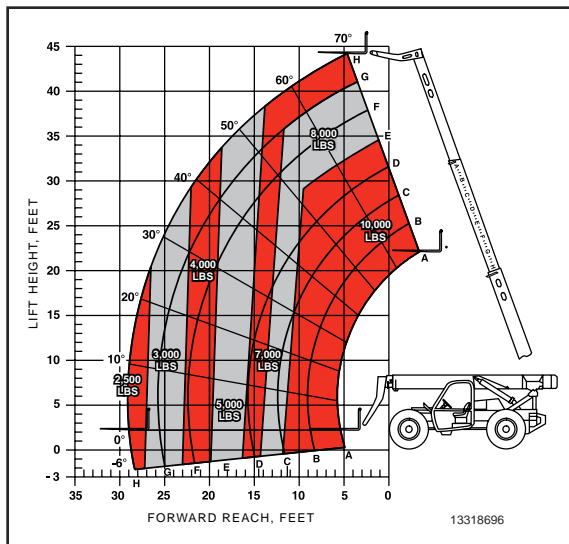
- Air conditioning
- All-weather cab w/ heat
- Boom lights
- Dual joystick control
- Ether cold start
- Fenders
- Front and rear worklights
- Full-suspension seat
- Pintle hook
- Road lights
- Rotating beacon
- Specialty-tire options
- Stabilizers
- Turn signals/flashers/brake lights
- Vandal protection

ATTACHMENTS*

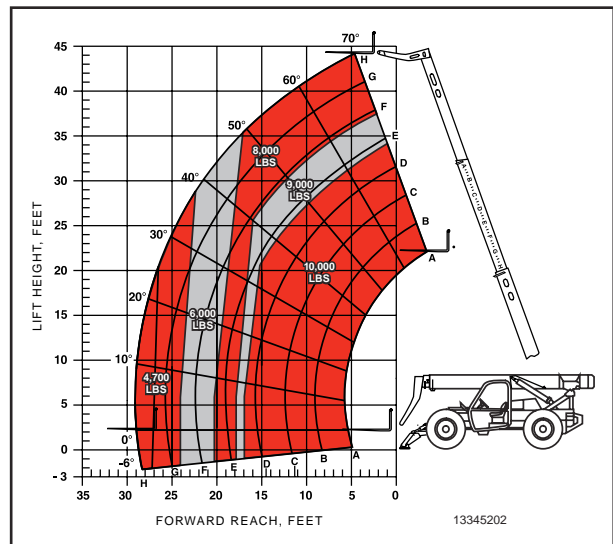
- Buckets
- Drywall handler
- Side-tilt carriages
- Swing carriages
- Truss booms
- Various width carriages

* Contact your local Ingersoll-Rand distributor for additional attachment options.

VR-1044C without stabilizers



VR-1044C with stabilizers (optional) down



Always read and understand the published rated load capacity for the material handler model you are operating and do not exceed it. Load ratings per ASME B56.6 — 1992.

