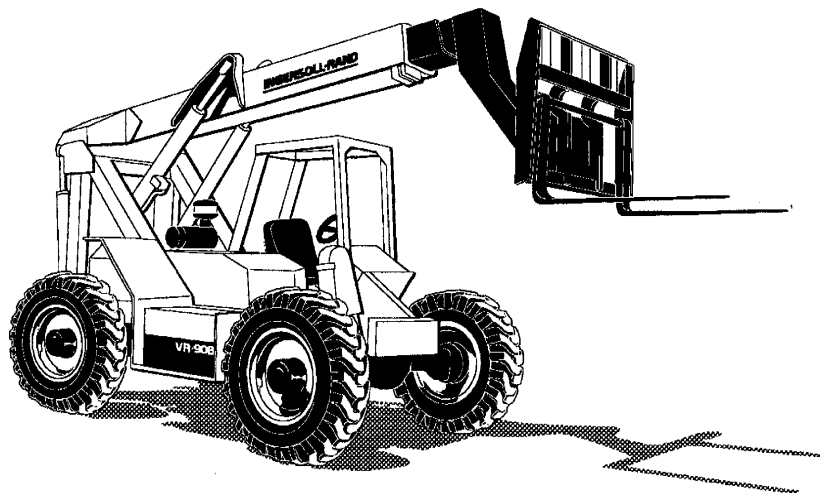


**PARTS MANUAL**  
**for**  
**VR-90B**  
**VARIABLE REACH FORKLIFT**

Effective with all serial numbers



CPN 59131508

September 1, 1997

# HOW TO USE THIS MANUAL

This Parts Manual applies to all VR-90B Variable Reach Forklifts

## ***When the Comm. # is not Known - Use the Word Index:***

- Ingersoll-Rand's Word Index will make this item easy to locate. The Word Index is found in the very back of the book. The items listed are in alphabetical order and may be repeated several times depending on their functional descriptions.
- Let's assume you need to replace the **AIR CLEANER ELEMENT**.
- Use any of the functional words in the item description to locate the desired item. Example: The first listing for the **Air Cleaner Element** in the **Word Index** is: Air Cleaner Element. The index shows the component will be found on page I.9..3 which is the **Parts List** page number for the Air Cleaner (59450270) - Internal Breakdown.

### WORD INDEX

1.3 Cubic Yard Quick Attach Bucket _____	G.1.7	Cap _____	B.4.3,B.10.3,B.11.3
15' Truss Boom _____	G.5.3	Cap, Radiator _____	B.4.3
48" Load Arm _____	G.1.5	Carriage, 48" Quick Attach _____	G.1.5
48" Load Pin _____	G.1.5	Carriage, 48" Quick Attach Side Tilt _____	G.1.5
48" Quick Attach Carriage _____	G.1.5	Carriage, 48" Standard _____	G.1.5
48" Quick Attach Side Tilt Carriage _____	G.1.5	Carrier _____	C.2.3,I.11.3
48" Standard Carriage _____	G.1.5	Center Floor Plate _____	A.1.3
Accelerator Pedal _____	B.9.3	Chain Anchor _____	G.1.11,G.1.15
Accumulated Pressure Light _____	E.2.3	Chain, Leaf _____	G.1.11,G.1.13
Accumulator _____	A.7.5	Chain, Pin _____	G.1.11,G.1.15
Air Breather _____	I.15.3	Chain, Plate _____	G.1.15
Air Cleaner _____	B.5.3,B.6.3	Charging Pump Drive _____	I.15.15

- The item is also listed as:

Element, AirCleaner

## ***Using the Parts Identification Pages:***

- The **PARTS IDENTIFICATION PAGES** consist of the **PARTS ILLUSTRATION** (even numbered pages) and the **PARTS LIST** (odd numbered pages).
- The **Parts Illustration** shows the assembly with its component parts identified by **Item Numbers**.
- On the **Parts List**, the components are listed in **Item Number** order as found in the **ITEM** column. Other information provided by the **Parts List** is the **Comm. Number** which will be required to order **Genuine Ingersoll-Rand Replacement Parts**, a **functional description**, the **quantity** required to assemble one complete assembly, and any additional **notes/ dimensions** required to help place your parts order.
- For the example: The element is **Item 2**, **Comm. Number 35318252**, **Quantity of 1**.

## ***When the Comm. # is not known - Use the Table of Contents:***

- Turn to the **TABLE OF CONTENTS** pages in the front of this manual. These pages show the major systems of the machine divided into **FUNCTIONAL GROUPS** (identified by capital letters).
- Find the **Functional Group** that best describes the area of the machine you are interested in. For example: **ENGINE, AND RELATED PARTS**.
- See the sample **Table of Contents** shown below:

ENGINE AND RELATED PARTS	
<b>B</b>	
Engine And Engine Mounting (Effective With S/N 149966) -----	B.1.2
Engine And Engine Mounting (Prior To S/N 149966) -----	B.2.2
Exhaust -----	B.3.2
Cooling -----	B.4.2
Air Cleaner Assembly (Effective With S/N 149966) -----	B.5.2
Air Cleaner Assembly (Prior To S/N 149966) -----	B.6.2
Throttle (Effective With S/N 150967) -----	B.7.2
Throttle (Prior To S/N 150967) -----	B.8.2
Throttle Pedal Bracket Assembly -----	B.9.2
Fuel System (Effective With S/N 149966) -----	B.10.2
Fuel System (Prior To S/N 149966) -----	B.11.2
AXLE	
<b>C</b>	
Axle Mounting And Cylinder -----	C.1.2
Wheel And Tire -----	C.2.2
TRANSMISSION	
<b>D</b>	

- Listed under the **Functional Group of Engine** are **SECTIONS** (identified by numbers that describe major repairable components of that group. Find the listing that refers to **AIR CLEANER ASSEMBLY**.
- Since the **Air Cleaner Element** is what needs to be replaced, refer to the internal breakdown section for the Air Cleaner. The Air Cleaner used on your machine is found in **Functional Group B.; Section 5**, this makes up the first part of the page number. Turn to that section of the parts manual and find the parts identification pages **B.5.2 & B.5.3** for the Air Cleaner .

### ***When the Comm. # is Known - Use the Numerical Index:***

- If you already know the **Comm. Number** (part number) for the item required, a **NUMERICAL INDEX** is provided in the back of the manual to assist you. Look up the **Comm. Number** desired and the **Numerical Index** will show the **Functional Group, Section, and Page Number** where the item can be found.
- For our Air Filter Element Example: The **Comm. Number 35318252** is found in the **Numerical Index**, it shows that component will be found on page I.9.3 which is the **Parts List** page number for the Air Cleaner (59450270).

**TABLE OF CONTENTS**  
**VR-90B**

<b>TITLE</b>	<b>PAGE</b>
TABLE OF CONTENTS -----	A
STANDARD ABBREVIATIONS -----	D
RECOMMENDED SPARE PARTS -----	E

**MAIN FRAME AND RELATED PARTS**

<b>A</b>	
Hoods And Covers (Effective With S/N 5240) -----	A.1.2
Hoods (Prior To S/N 5240) -----	A.2.2
Floor Plates And Covers (Prior To S/N 5240) -----	A.3.2
Steering Wheel Group -----	A.4.2
Seat Group (Effective With S/N 5249 Plus 5232 And 5233) -----	A.5.2
Seat Group (Prior To S/N 5249 Except 5232 And 5233) -----	A.6.2
Single Pedal Brake Assembly (Sheet 1 Of 2) -----	A.7.2
Cab Group -----	A.8.2
Washer Installation (Optional) -----	A.9.2
Rear Wiper (Optional) -----	A.10.2
Dome Light (Optional) -----	A.11.2
Heater/Defroster Installation (Optional) -----	A.12.2

**ENGINE AND RELATED PARTS**

<b>B</b>	
Engine And Engine Mounting (Effective With S/N 149966) -----	B.1.2
Engine And Engine Mounting (Prior To S/N 149966) -----	B.2.2
Exhaust -----	B.3.2
Cooling -----	B.4.2
Air Cleaner Assembly (Effective With S/N 149966) -----	B.5.2
Air Cleaner Assembly (Prior To S/N 149966) -----	B.6.2
Throttle (Effective With S/N 150967) -----	B.7.2
Throttle (Prior To S/N 150967) -----	B.8.2
Throttle Pedal Bracket Assembly -----	B.9.2
Fuel System (Effective With S/N 149966) -----	B.10.2
Fuel System (Prior To S/N 149966) -----	B.11.2

**AXLE**

<b>C</b>	
Axle Mounting And Cylinder -----	C.1.2
Wheel And Tire -----	C.2.2

**TRANSMISSION**

<b>D</b>	
Transmission Assembly (Effective With S/N 150477) -----	D.1.2
Transmission Assembly (Prior To S/N 150477) -----	D.2.2
Transmission Controls And Park Brake (Effective With S/N 150477) -----	D.3.2

**A**



**TABLE OF CONTENTS - Continued**  
**VR-90B**

<b>TITLE</b>	<b>PAGE</b>
<b>TRANSMISSION - Continued</b>	
Transmission Controls And Park Brake (Effective With To S/N 5249 Plus 5232 And 5233) -----	D.4.2
Transmission Controls And Park Brake (Prior To S/N 5249 Except 5232 And 5233) -----	D.5.2
Control Lever Assembly -----	D.6.2
Transmission Plumbing (Effective With S/N 149089) -----	D.7.2
Transmission Plumbing (Prior To S/N 149089) -----	D.8.2

**ELECTRICAL**

**E**

Electrical Assembly -----	E.1.2
Gauge Panel Assembly -----	E.2.2
Turn Signal And Headlight Assembly -----	E.3.2
Dome Light Assembly - Optional -----	E.4.3
Heater/Defroster - Optional -----	E.5.3
Windshield Washer - Optional -----	E.6.2
Rear Wiper Assembly -----	E.7.2

**HYDRAULICS**

**F**

Hydraulic Hoses And Adapters -----	F.1.2
Hydraulic Hoses And Adapters-Effective With S/N: 5240 -----	F.1.4
Hydraulic Hoses And Adapters-Prior To S/N: 5240 -----	F.1.8
Hydraulic Hoses And Adapters -----	F.1.10
Steering, Brake, and Boom Hoses -----	F.2.2
Hose Reel Installation -----	F.3.2
Outrigger Installation - Pivot Group -----	F.4.2
Outrigger Installation - Arm Group -----	F.4.4
Outrigger Installation - Control Plumbing Group -----	F.4.6
Outrigger Installation - Attachment Group -----	F.4.8
Hose Reel Plumbing -----	F.5.2

**BOOM AND CARRIAGE**

**G**

Boom And Carriage Assembly -----	G.1.2
Quick Attach Apron -----	G.2.2
Forks -----	G.3.2
Carriage Rotation Plumbing -----	G.4.2
15' Truss Boom -----	G.5.2

**DECALS AND PAINT**

**H**

Decals And Paint (Effective With S/N 140073) -----	H.1.2
Decals And Paint (Prior To S/N 140073) -----	H.2.2

**TABLE OF CONTENTS - Continued**  
**VR-90B**

**TITLE**

**PAGE**

INTERNAL BREAKDOWN

**I**

Hydraulic Pump (59455535) - Internal Breakdown -----	I.1.2
Hand Pump And Steering Column (59001354) - Internal Breakdown -----	I.2.2
Hand Pump And Steering Column (59455535) - Internal Breakdown -----	I.3.2
Hydraulic Pump and Steering Column (59001354) - Internal Breakdown -----	I.2.2
Hand Pump and Steering Column (59455535) - Internal Breakdown -----	I.3.2
Steering Selector Valve (59455725) - Internal Breakdown -----	I.4.2
Seat Assembly - Internal Breakdown (Effective with S/N 5249 plus 5232 and 5233) -----	I.5.2
Seat Assembly - Internal Breakdown (Prior to S/N 5249 except 5232 and 5233) -----	I.6.2
Cab Assembly (58883232) - Internal Breakdown -----	I.7.2
Defroster Fan (59474106) - Internal Breakdown -----	I.8.2
Air Cleaner (59450270) - Internal Breakdown -----	I.9.2
Axle Assembly (59110387 And 59090134) - Internal Breakdown -----	I.10.2
Axle Assembly (59450502) - Internal Breakdown -----	I.11.2
Axle Cylinder (59450122) - Internal Breakdown -----	I.12.2
Transmission (59111872) - Internal Breakdown -----	I.13.2
Universal Shaft Assembly (59450361) - Internal Breakdown -----	I.14.2
Transmission (59494039) - Internal Breakdown -----	I.15.2
Steering Selector Valve (58827544) - Internal Breakdown -----	I.16.2
Hydraulic Tank (59495069) - Internal Breakdown -----	I.17.2
Main Hydraulic and Steering Pump (59090027) - Internal Breakdown -----	I.18.2
Main Hydraulic And Steering Pump (59001321) - Internal Breakdown -----	I.19.2
Main Hydraulic And Steering Pump (59474783) - Internal Breakdown -----	I.20.2
Hydraulic Kit - Non-Cbc (58973884) - Internal Breakdown -----	I.21.2
Hose Reel (59456616) - Internal Breakdown -----	I.22.2
Outrigger Cylinder (59450114) - Internal Breakdown -----	I.23.2
Tilt Cylinder (59474601) - Internal Breakdown -----	I.24.2
Boom Cylinder (59450577) - Internal Breakdown -----	I.25.2
Compensating Cylinder (59450049) - Internal Breakdown -----	I.26.2
Crowd Cylinder (59450056) - Internal Breakdown -----	I.27.2

**MANUALS**

**L**

Manuals -----	M.1.2
Numeric Index -----	N.1
Word Index -----	W.1
Warranty -----	Back
Cover	

**C**

## STANDARD ABBREVIATIONS

Adj.	Adjustable	Mfg.	Manufacturing
AMP	Amperes	mm	millimeter
a/r	As Required	M.S.	Machine Screw
ARC	Authorized Rebuilt Component	mtg	mounting
assy	assembly	R.H.M.S.	Machine Screw Round Head
BSP	British Standard Pipe	N.A.	Not Available
BTU	British Thermal Unit	No.	Number
C/L	Centerline	NPT	National Pipe Thread
COMM. NO.	Communication Number	NPTF	National Pipe Thread Fine
C.S.F.S.H.	Countersunk Flat Socket Head	N.S.S.	Not Sold Separately
CCW	Counterclockwise	N.SV.A.	Not Serviceable as an Assembly
CW	Clockwise	O.D.	Outside Diameter
DDA	Detroit Diesel Allison	ORB	O-Ring Boss
Dia.	Diameter	ORS	O-Ring Seal
EEC	European Economic Community	PGE	Page
exc	except	PRESS.	Pressure
Eff.	Effective	PSI	Pounds/Square Inch
EXT	External	Pt.	Point
Fem	Female	Qty.	Quantity
F.H.C.S.	Flat Head Cap Screw	Rad.	Radiator
FIL	Fillister	R.H.	Right Hand
Fil. Hd.	Fillister Head	ROPS	Roll-Over Protection System
FLR	Flare	Rot.	Rotary
FOPS	Falling Object Protection System	RPM	Revolutions Per Minute
ft.	Feet	SAE	Society of Automotive Engineers
Ftg.	Fitting	SCR	System Check Relief
Ga.	Gauge	Sec.	Section
GPH	Gallons Per Hour	S.F.H.	Slotted Fillister Head
HD	Heavy Duty	S.F.H.M.S.	Slotted Fillister Head Machine Screw
Hd.	Head	S.H.C.S.	Socket Head Cap Screw
H.H.	Hex Head	S.M.V.	Slow Moving Vehicle
H.H.C.S.	Hex Head Cap Screw	s/n	Serial Number
H.H.M.S.	Hex Head Machine Screw	SPST	single pull/single throw
H.H.S.	Hex Head Screw	S.T.	Self-Tapping
hp	horsepower	Std.	Standard
H.S.B.H.S.	Hex Socket Button Head Screw	Str.	Straight
H.S.H.C.S.	Hex Socket Head Cap Screw	SW	Swivel
Hyd.	Hydraulic	Tach.	Tachometer
hp	horsepower	Temp.	Temperature
incl.	included	Thd.	Thread
I.D.	Inside Diameter	Thk.	Thick
Ign.	Ignition	UNC	Unified Coarse
incl.	included	UNF	Unified Fine
INST	Instrument	Univ.	Universal
INT. BRKD.	Internal Breakdown	Var.	Variable
I-R	Ingersoll-Rand	V	Volt
JIC	Joint Industry Conference	VPM	Vibrations Per Minute
lg.	Long	wgt	weight
L.H.	Left Hand	w/	With
M	Metric	w/o	Without
MDC	Manual Directional Control		

Revised 1/15/96

## VR-90B RECOMMENDED SPARE PARTS

*NOTE: These recommended spare parts reflect current models.*

### MAINTENANCE ITEMS

*Spare parts required for one (1) maintenance interval.*

1 UNIT	DESCRIPTION	COMM. NO.	PAGE
	<b>ENGINEASSEMBLY</b>		
1	Filter Kit	58919580	B.1.3
	<b>HYDRAULICFILTER</b>		
1	Hydraulic Filter Element	59438838	F.2.5

### RECOMMENDED SPARES

*Spare parts recommended to support a number of units for:  
1 year or 1000 hours*

1 UNIT	5-9 UNIT	10+ UNIT	DESCRIPTION	COMM. NO.	PAGE
			<b>MAINFRAME</b>		
1	4	4	Fuel Tank Cap (Effective with s/n: 5338)	59415869	B.10.3
1	4	4	Fuel Tank Cap (Prior to s/n: 5338)	59454587	B.10.3
1	4	4	Hydraulic Oil Tank Filler-Breather Assembly	59414243	I.17.3
2	4	4	Hydraulic Oil Tank Strainer	59013417	I.17.3
2	4	4	Hydraulic Oil Tank Strainer Magnet	59052647	I.17.3
			<b>ENGINEASSEMBLY</b>		
5	10	20	Oil Filter	59438820	B.1.3, B.2.3
5	10	20	Fuel Filter	59438812	B.1.3, B.2.3
5	10	20	Water Separator Filter	59486829	B.1.3, B.2.3
2	4	4	Fan Belt	58753898	B.1.3, B.2.3
2	4	4	Alternator Brush Kit	59041806	B.1.3, B.2.3
2	4	4	Starter Motor Ground Brush	58762600	B.1.3, B.2.3
2	4	4	Starter Motor Insulated Brush	58762618	B.1.3, B.2.3
2	4	4	Throttle Cable	59450353	B.8.3

**VR-90B RECOMMENDED SPARE PARTS  
(CONTINUED)**

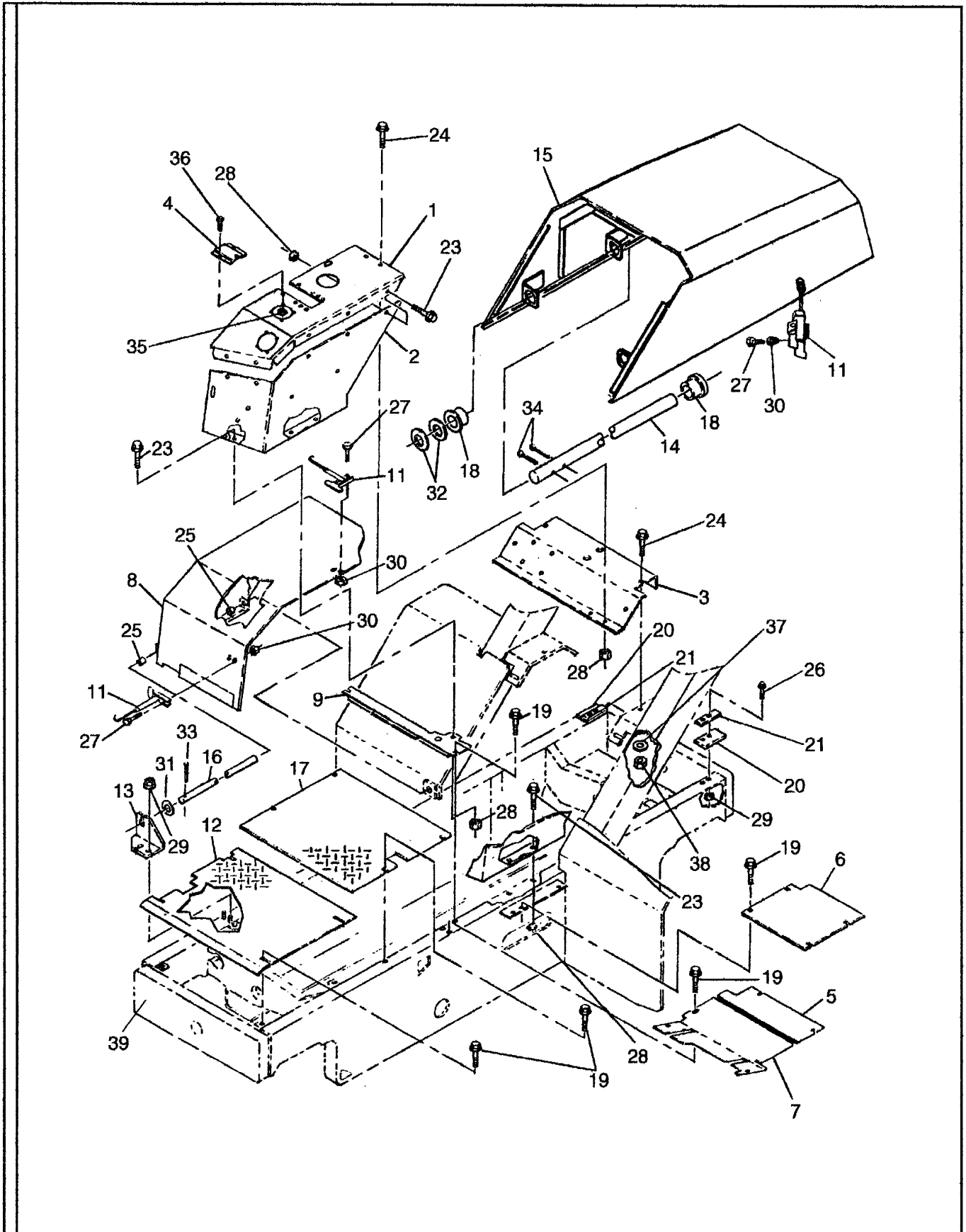
1 UNIT	5-9 UNITS	10+ UNITS	DESCRIPTION	COMM. NO.	PAGE
<b>RADIATOR AND OIL COOLER</b>					
1	2	2	Radiator Cap	59455329	B.4.3
1	2	2	Upper Radiator Hose	59450742	B.4.3
1	2	2	Lower Radiator Hose	59450759	B.4.3
1	2	2	Drain Cock	95250692	B.4.3
<b>AIR CLEANER</b>					
5	10	20	Primary Element	35318252	I.9.3
<b>MUFFLER AND HYDRAULIC FILTER</b>					
0	0	1	Muffler	59450262	B.3.3
1	4	4	Hydraulic Strainer	59013417	I.17.3
2	8	8	Strainer Magnet	59052647	I.17.3
2	8	8	Filler-Breather Assembly	59414243	I.17.3
<b>ELECTRICAL</b>					
1	2	2	Battery Cable - Positive	59087213	E.1.3,E.1.7
1	2	2	Battery Cable - Negative	59087205	E.1.3,E.1.7
1	2	2	Battery	59436931	E.1.3,E.1.7
6	6	6	Fuse (20 Amp)	59398016	A.12.3,E.1.5
6	6	6	Fuse (10 Amp)	59325712	E.1.5,E.5.3
6	6	6	Fuse (5 Amp)	59465591	A.9.3,E.1.5
0	1	2	Horn	59455956	E.1.5
1	2	2	Ignition Switch	59450791	E.1.5,E.1.7
4	8	8	Key	59435990	E.1.5 E.1.7
<b>MAIN HYDRAULIC AND STEERING PUMP (59001321 and 59474783)</b>					
1	2	4	Seal Kit	58828880	I.19.3,I.20.5
<b>GAUGE PANEL ASSEMBLY</b>					
1	2	3	Oil Pressure Gauge	59455469	E.2.3
1	2	3	Water Temperature Gauge	59455493	E.2.3
1	2	3	Transmission Temperature Gauge	59455303	E.2.3
1	2	3	Voltmeter	59816736	E.2.3
1	2	3	Fuel Level Gauge	59731281	E.2.3
1	2	3	Hourmeter	59989558	E.2.3
4	8	8	Bulb	59465609	E.2.3
<b>HYDRAULIC SYSTEM</b>					
Manifold				58905191	I.21.3,I.21.11
1	2	4	Seal Kit	58912338	I.21.11
Crowd and Boom Control Valve				58887076	I.21.3,I.21.13
1	2	4	Spring Kit	58886649	I.21.13
1	2	4	Cap Kit	58886656	I.21.13
1	2	4	Seal Kit	58912825	I.21.13
Joystick Controller				58887084	I.21.3,I.21.17
1	2	4	Plug Kit	58886680	I.21.17
Linear Type Controller				58887092	I.21.3,I.21.19
1	2	4	Tie Rod Kit	58886979	I.21.19
1	2	4	Plug Kit	58886987	I.21.19



**VR-90B RECOMMENDED SPARE PARTS  
(CONTINUED)**

1 UNIT	5-9 UNIT	10+ UNIT	DESCRIPTION	COMM. NO.	PAGE
<b>HYDRAULIC SYSTEM-Continued</b>					
			Motion Control Valve	59470989	G.13
1	2	4	Seal Kit	58753245	G.13
			Boom		
1	2	4	Boom Ear Repair Kit	59491480	G.19
			Level Valve	59456749	C.1.3, F.4.5
1	2	4	Seal Kit	59480293	C.1.3
			Boom Cylinder	59450577	G.19
1	2	4	Seal Kit	59480582	I.25.3
			Tilt Cylinder	59474601	G.1.3
1	2	2	Seal Kit	58754029	I.24.3
			Compensating Cylinder	59450049	G.1.9
1	2	4	Seal Kit	59439158	I.26.3
			Crowd Cylinder	59450056	G.1.13
1	2	4	Seal Kit	58753278	I.27.3
			Dual Counterbalance Valve	58841586	F.1.11
1	2	4	Repair Kit	58874827	F.1.11

HOODS AND COVERS (EFFECTIVE WITH S/N 5240)

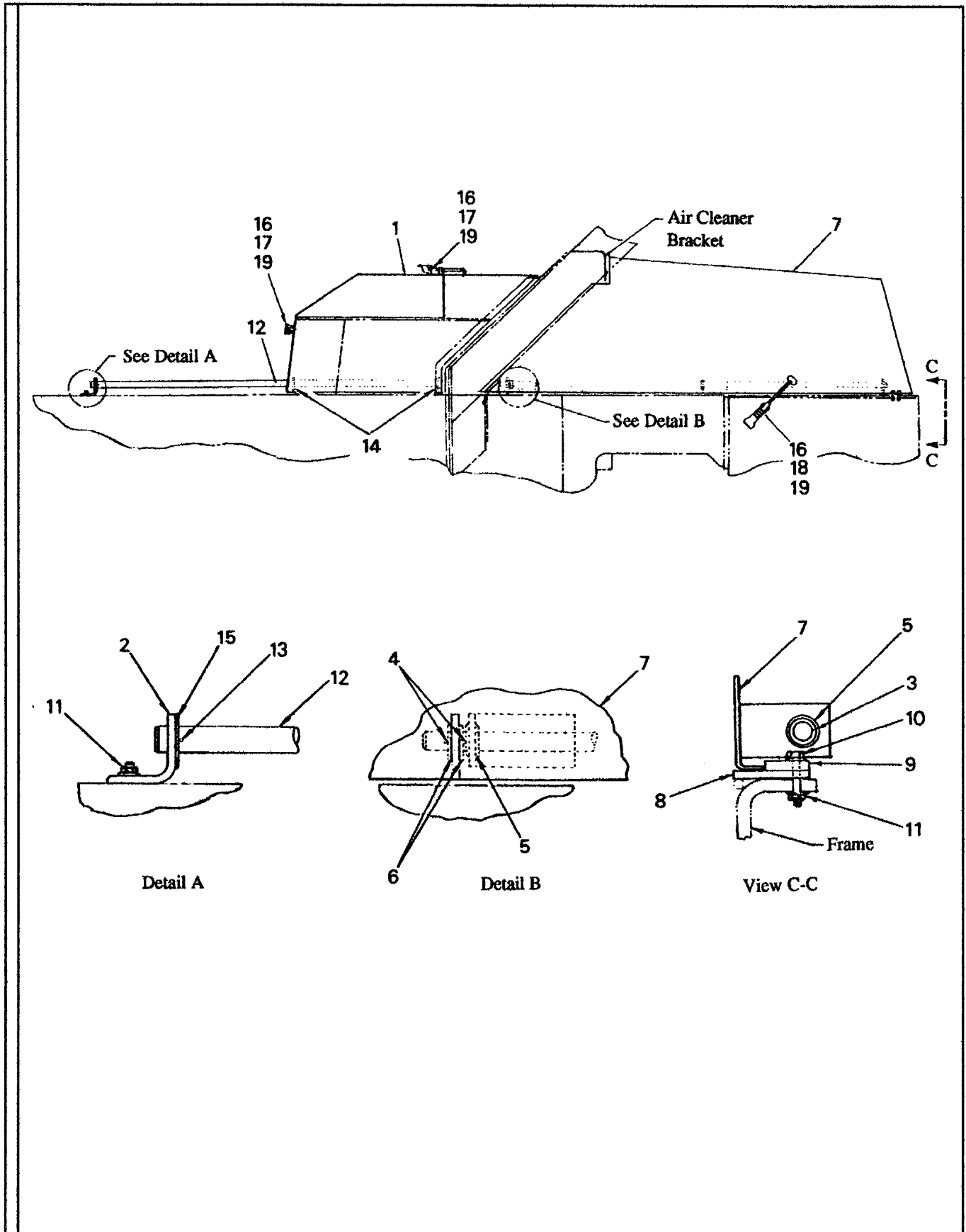




**HOODS AND COVERS (EFFECTIVE WITH S/N 5240)**

<b>ITEM</b>	<b>COMM. NO.</b>	<b>DESCRIPTION</b>	<b>QTY</b>	<b>DIMENSIONS/NOTES</b>
		<small>DWG 58850561</small>		
1	59096669	Top Console Plate (Effective with S/N 149966)	1	
-	58827304	Top Console Plate (S/N 5240 thru S/N 149965)	1	
2	58827312	Side Console Plate	1	
3	58827346	Engine Cover Plate	1	
4	58827361	Cover Plate	1	
5	58883612	Floor Plate - Center	1	
6	58827379	Floor Plate - Back	1	
7	58827387	Floor Plate - Front	1	
8	58827593	Front Hood	1	
9	58827783	Floor Plate Support	1	
11	59450783	Hood Latch	4	
12	59451997	Front Floor Plate	1	
13	59452706	Hood Support Bracket	1	
14	59452714	Hood Rod	2	
15	59452722	Rear Hood	1	
16	59452979	Hood Rod	1	
17	59453068	Center Floor Plate	1	
18	59454926	Bushing	4	
19	59998096	Self-Tapping Screw	23	
20	59456558	Hood Wear Pad	2	
21	59457010	Hood Wear Pad	2	
23	59463703	F.H.C.S.	8	
24	59463711	F.H.C.S.	6	
25	59469288	Grommet	2	
26	58827973	Lock Screw	4	5/16 - 18 x 2.0
27	59787465	Lock Screw	8	1/4 - 20 x 1.0
28	59807941	Lock Nut	14	3/8 - 16
29	59918573	Lock Nut	6	5/16 - 18
30	59941682	Lock Nut	8	1/4 - 20
31	95922308	Flat Washer	1	1.0
32	95922423	Flat Washer	4	3/4
33	95923926	Cotter Pin	1	1/8 x 1.25
34	95923918	Cotter Pin	4	1/8 x 1.0
35	59941682	Lock Nut	12	1/4 - 20
36	59965962	Lock Bolt	12	1/4 - 20 x 0.75
37	95922233	Flat Washer	2	3/8
38	95923322	Lock Nut	2	3/8 - 16
39	59494062	Frame	1	

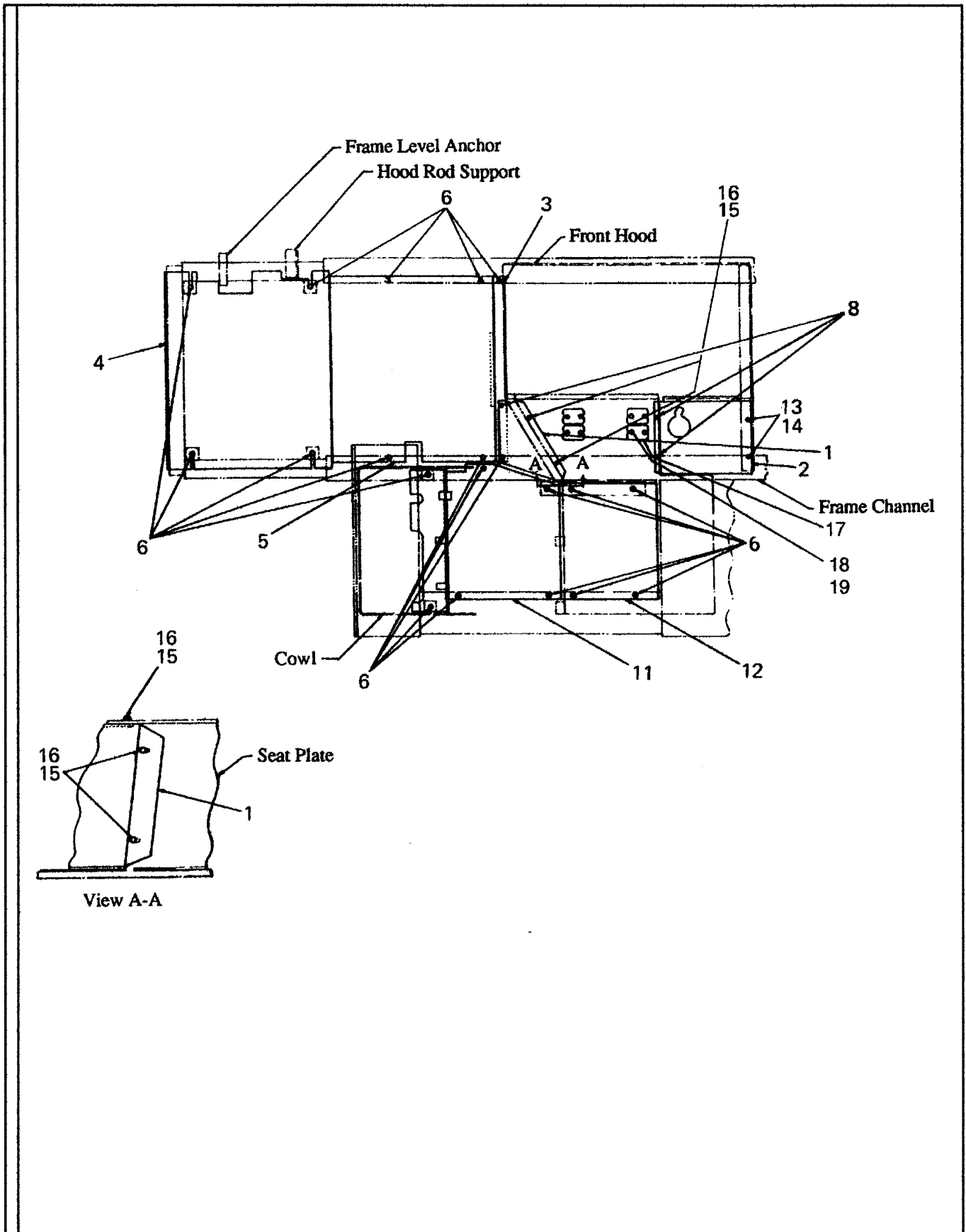
HOODS (PRIOR TO S/N 5240)



HOODS (PRIOR TO S/N 5240)

ITEM	COMM. NO.	DESCRIPTION	QTY	DIMENSIONS/NOTES
		DWG 59470294		
1	59451971	Front Hood	1	
2	59452706	Hood Rod Bracket	1	
3	59452714	Hood Rod	2	
4	95923918	Cotter Pin	4	1/8 X 1"
5	59454926	Bushing	4	
6	95922423	Flat Washer	4	3/4
7	59452722	Rear Hood	1	
8	59456558	Wear Pad	2	
9	59457010	Wear Pad	2	
10	58827973	Lock Screw	4	5/16-18 X 2
11	59918573	Lock Nut	6	5/16-18
12	59452979	Rod Hood	1	
13	95923926	Cotter Pin	1	1/8 X 1.25
14	59469288	Grommet	2	
15	95922308	Flat Washer	1	1"
16	59450783	Hood Latch	4	
17	59998146	Lock Bolt	4	1/4-20 X.50
18	59787465	Lock Screw	4	1/4-20 X 1.0
19	59941682	Lock Nut	8	1/4-20

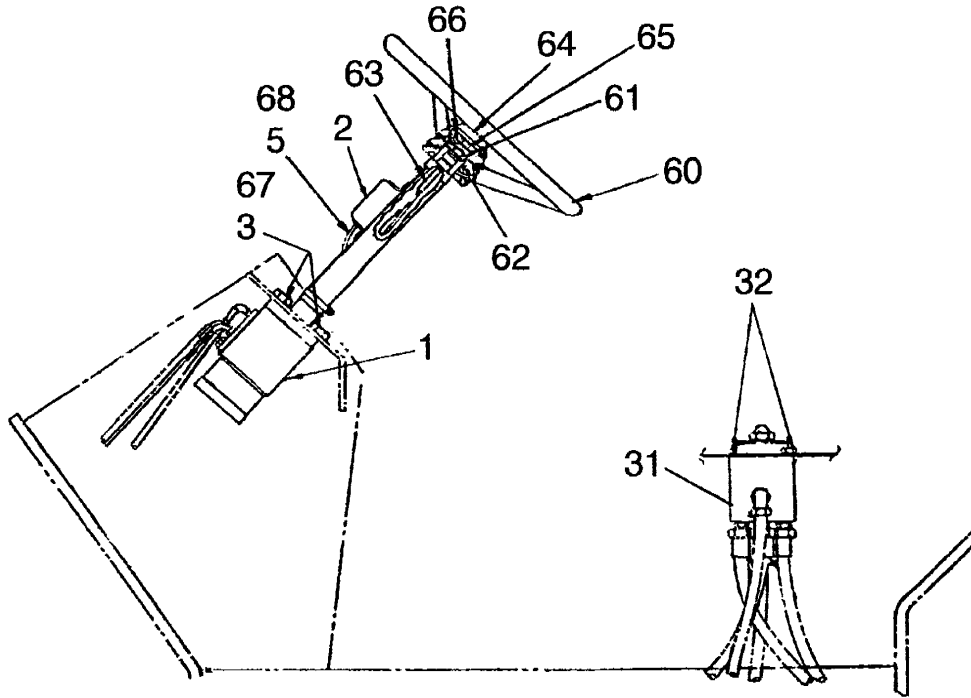
FLOOR PLATES AND COVERS (PRIOR TO S/N 5240)



FLOOR PLATES AND COVERS (PRIOR TO S/N 5240)

ITEM	COMM. NO.	DESCRIPTION	QTY	DIMENSIONS/NOTES
		BOM 59459719		
1	59451955	Control Cover Plate	1	
2	59451963	Cover	1	
3	59451989	Floor Plate Support	1	
4	59451997	Front Floor Plate	1	
5	59453068	Rear Floor Plate	1	
6	59998096	Self-Tapping Screw	23	
8	59456244	Self-Tapping Screw	3	
11	58827478	Floor Plate	1	
12	59467001	Rear Floor Plate	1	
13	59456277	Lock Screw	2	5/16 - 18 x 1.0
14	59918573	Lock Nut	2	5/16 - 18
15	59807941	Lock Nut	4	3/8 - 16
16	59680983	Lock Screw	4	3/8 - 16 x 1.0
17	59417766	Cover Plate	2	
18	59655962	Lock Screw	4	1/4 - 20 x 0.75
19	59941682	Lock Nut	4	1/4 - 20

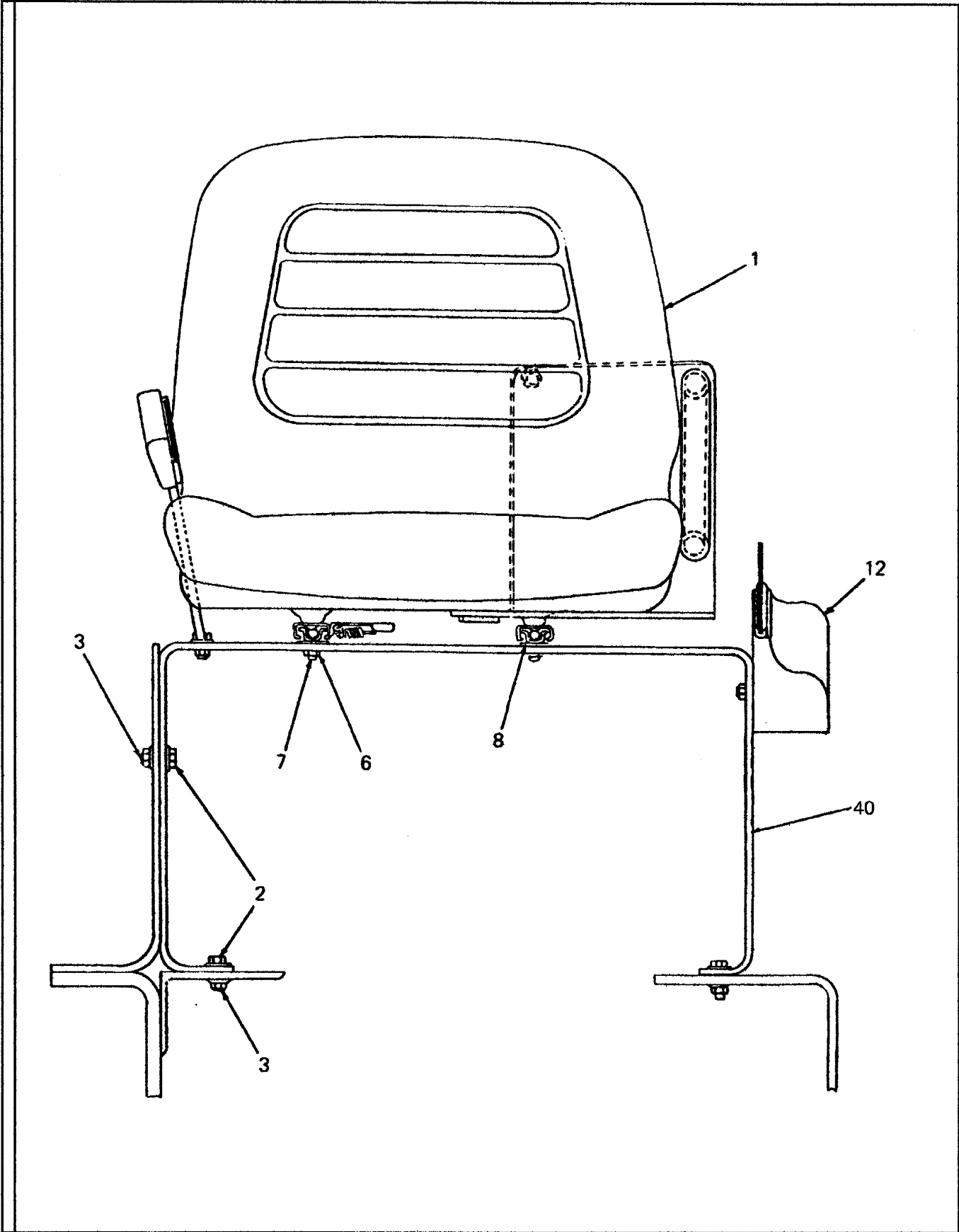
# STEERING WHEEL GROUP



**STEERING WHEEL GROUP**

<b>ITEM</b>	<b>COMM. NO.</b>	<b>DESCRIPTION</b>	<b>QTY</b>	<b>DIMENSIONS/NOTES</b>
		<small>BOM 59493551</small>		
<b>1</b>	<b>59455535</b>	<b>Hydraulic Pump (Effective with S/N 146392)</b>	<b>1</b>	<b>See Breakdown-I.1</b>
-	<b>59001354</b>	<b>Hand Pump &amp; Steering Column</b>	<b>1</b>	<b>See Breakdown-I.2</b>
		<b>(Effective with S/N 141714 thru 146391)</b>		
-	59105809	-Steering Column	1	
2	59052480	-Cover, Contact Brush	1	
-	59052506	-Gasket	1	
-	59052480	-Contact Brush	1	
-	59052498	-Screw	4	
<b>1</b>	<b>59455535</b>	<b>Hand Pump &amp; Steering Column</b>	<b>1</b>	<b>See Breakdown-I.3</b>
		<b>(Effective with S/N 5240 thru 141713)</b>		
3	95919254	H.H.C.S. (Effective with S/N 146392)	2	3/8 - 16 x 1.5
-	95920401	H.H.C.S. (Effective with S/N 141714 thru 146391)	2	5/16 - 18 x 0.625
-	59463729	Flange Head Screw (Prior to S/N 141714)	2	3/8 - 16 x 1.5
5	59396366	Loom Bulk (Effective with S/N 146392)	A/R	
-	59396366	Loom Bulk (Effective with S/N 141714 thru 146391)	A/R	
-	59465377	Tubing, Heat Shrink (Prior to S/N 141714)	A/R	
8	59465377	Tube Ht.Shrk (Effective with S/N 146392)	A/R	
<b>31</b>	<b>59455725</b>	<b>Valve, Steering Selector (Prior to S/N 5240)</b>	<b>1</b>	<b>See Breakdown-I.4</b>
		<i>NOTE: For Steering Select Valve Effective with S/N 5240, See Hydraulic Hoses and Adapters, F.1</i>		
32	59680983	Lock Screw (Prior to S/N 5240)	4	3/8 - 16 x 1.0
60	59455709	Steering Wheel	1	
61	59461368	Nut	1	
62	59461335	Terminal, Electrical	1	
63	59461376	Connector, Female	1	
64	59455691	Horn Button	1	
65	59461343	Wire Assembly	1	
66	59461350	Wire Assembly	1	
67	95922373	Washer Flat (Effective with S/N:146392)	2	3/8 Dia.
-	95922365	Washer, Flat (Prior to S/N 146392)	2	5/16 Dia.
68	59001362	Wire Harness	1	

SEAT GROUP (EFFECTIVE WITH S/N 5249 PLUS 5232 and 5233)

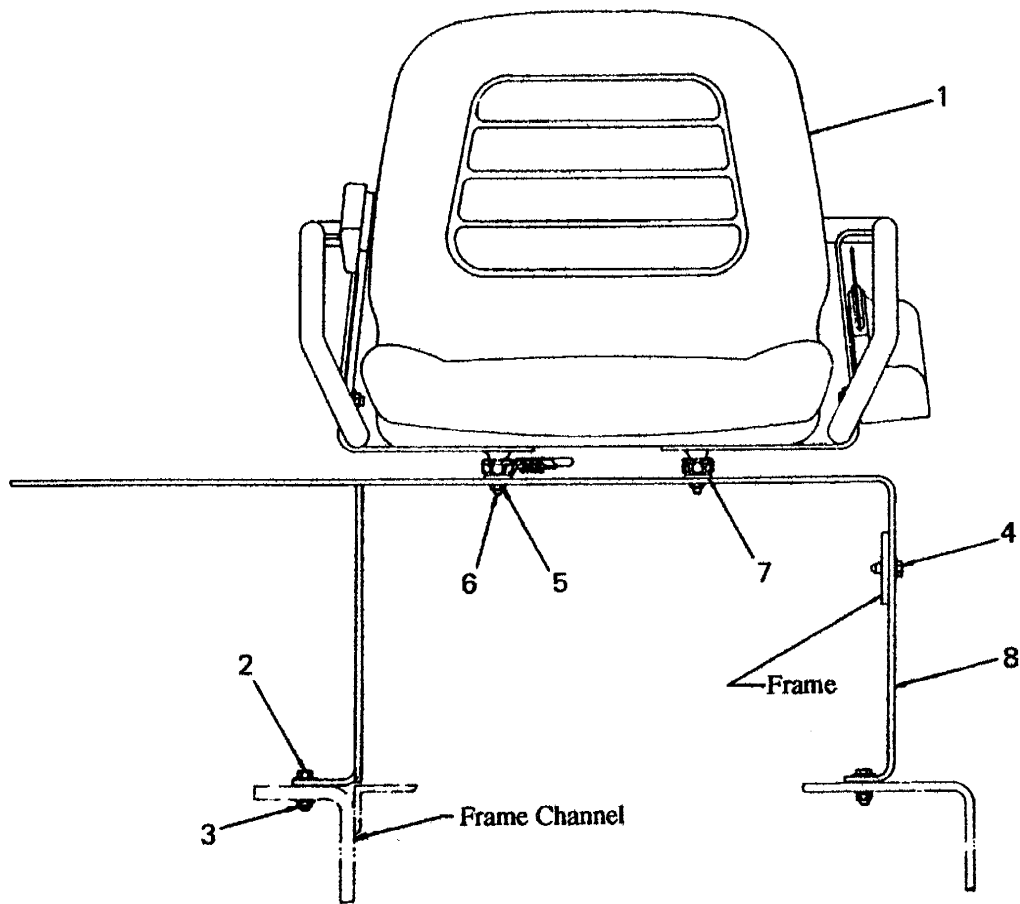




**SEAT GROUP (EFFECTIVE WITH S/N 5249 PLUS 5232 and 5233)**

<b>ITEM</b>	<b>COMM. NO.</b>	<b>DESCRIPTION</b>	<b>QTY</b>	<b>DIMENSIONS/NOTES</b>
		<small>BOM 58850579</small>		
<b>1</b>	<b>N.SV.A.</b>	<b>Seat Assembly</b>	<b>1</b>	<b>See Breakdown-I.5</b>
2	59463711	F.H.C.S.	6	3/8 - 16 x 1.25
3	59807941	Lock Nut	6	3/8 - 16
6	59464610	Lock Nut	4	5/16 - 18
7	95920427	H.H.C.S.	4	5/16 - 18 x 0.875
8	95922324	Washer Flat	4	1/4
12	58850637	Seat Belts	1	
40	58827338	Seat Plate	1	

SEAT GROUP (PRIOR TO S/N 5249 EXCEPT 5232 AND 5233)



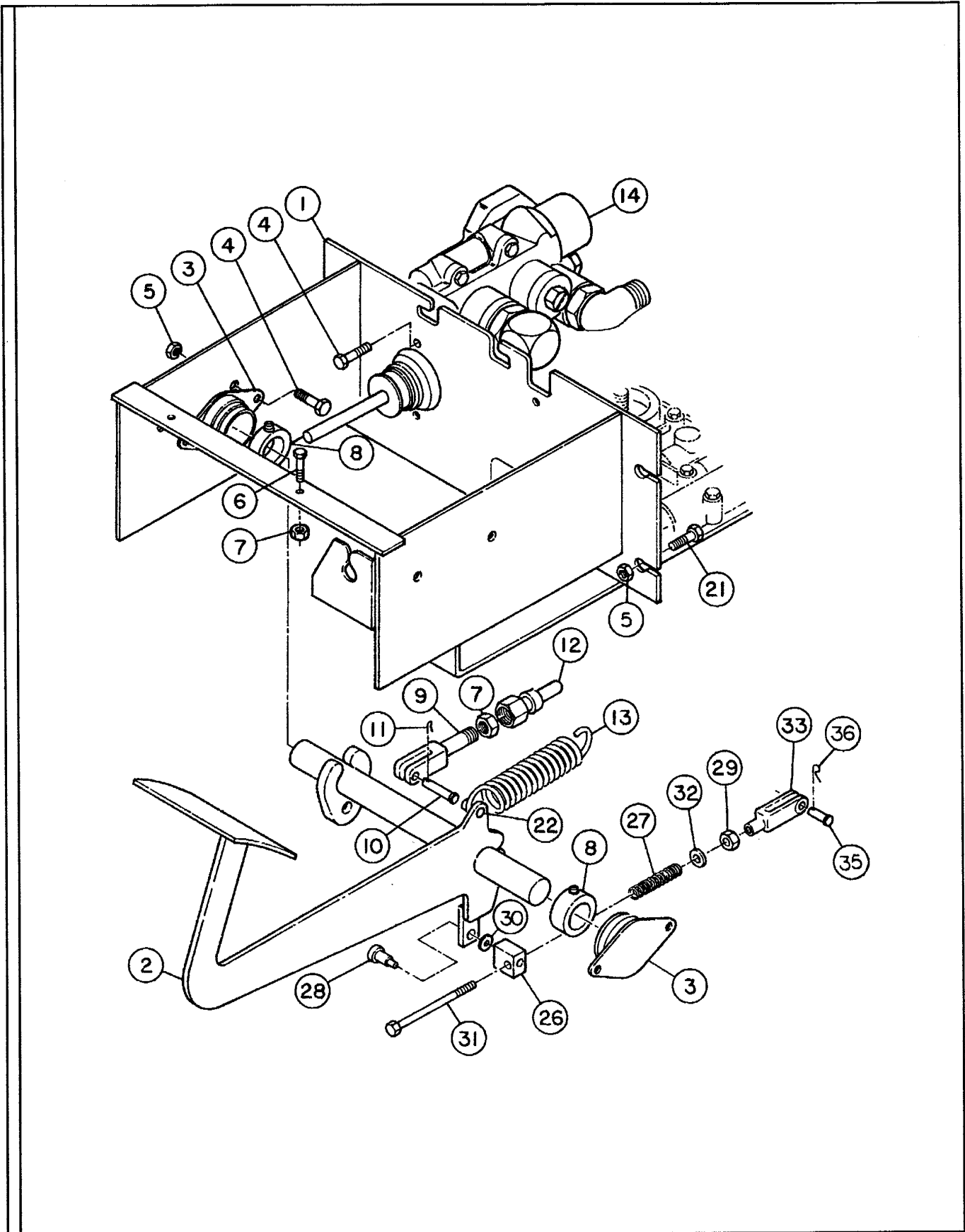
SEAT GROUP (PRIOR TO S/N 5249 EXCEPT 5232 AND 5233)

ITEM	COMM. NO.	DESCRIPTION	QTY	DIMENSIONS/NOTES
		<small>BOM 59494179</small>		
1	N.SV.A.	Seat Assembly	1	See Breakdown-I.6
2	59463711	F.H.C.S.	4	3/8 - 16 x 1.25
3	59807941	Lock Nut	4	3/8-16
4	59998096	Self-Tapping Screw	1	3/8 - 16 x 1.0
5	59464610	Lock Nut	4	5/16 - 18
6	95920427	H.H.C.S.	4	5/16 - 18 x 0.875
7	95922399	Washer, Flat	4	1/2
8	59494278	Seat Plate	1	

VR-90B

A.6.3

SINGLE PEDAL BRAKE ASSEMBLY (Sheet 1 of 2)

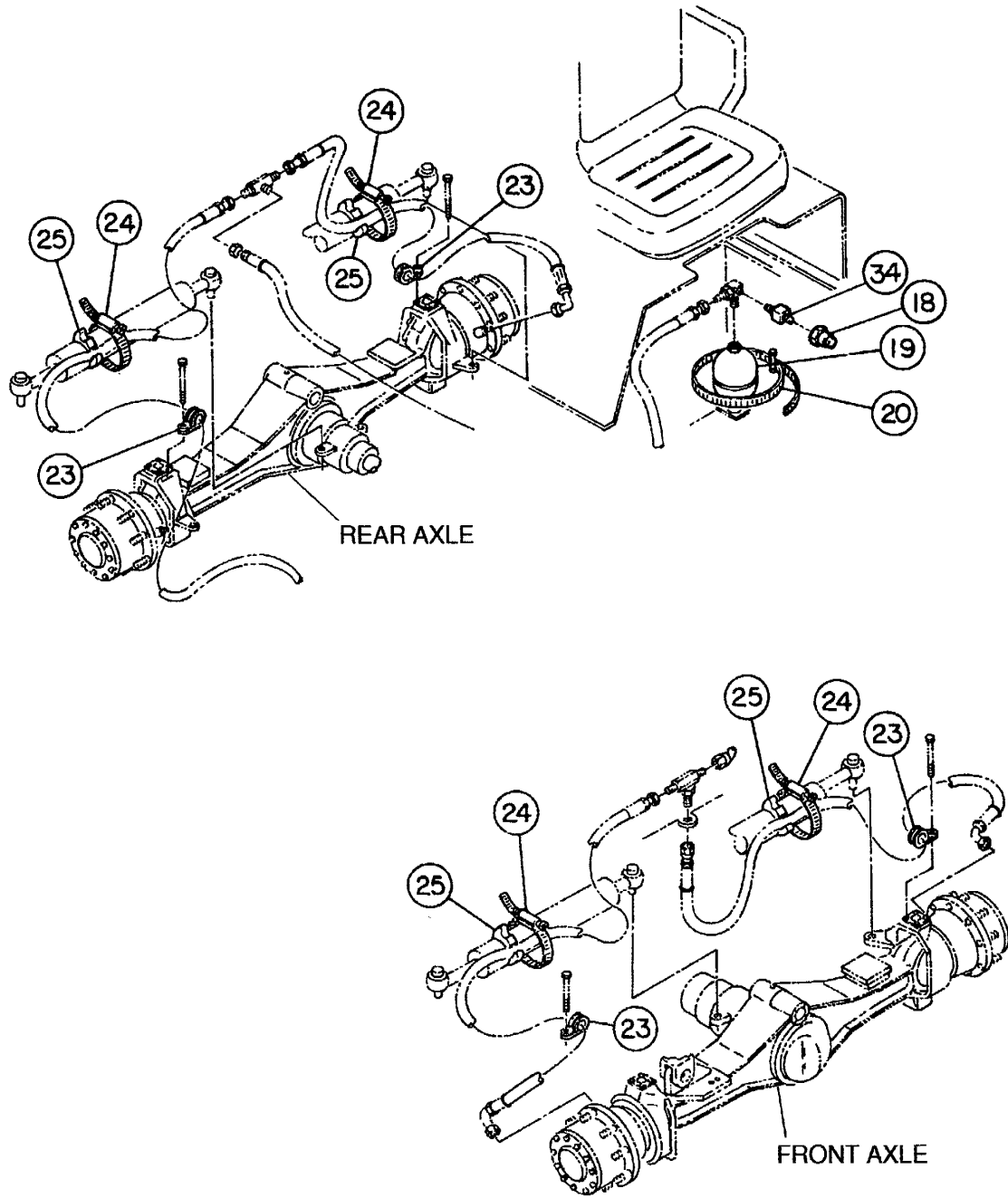


VR-90B

SINGLE PEDAL BRAKE ASSEMBLY (Sheet 1 of 2)

ITEM	COMM. NO.	DESCRIPTION	QTY	DIMENSIONS/NOTES
		BOM 58812009		
1	59495168	Bracket, Brake	1	
2	58811977	Pedal, Brake	1	
3	59455931	Bearing Flange	2	
4	59463703	Flange Screw	7	
5	59807941	Lock Nut	8	3/8 - 16
6	95920864	H.H.C.S.	1	1/2 - 20 X 1.5
7	95923090	Hex Jam Nut	2	1/2 - 20
8	59450437	Set Collar	2	
9	59455626	Rod End	1	
10	50266287	Pin Clevis	1	1/2
11	95923918	Cotter Pin	1	1/8 x 1.0
12	59455717	Push Rod	1	
13	59456848	Spring	1	
14	59493866	Brake Valve	1	
-	58875204	-Repair Kit	1	
21	59463729	F.H.C.S.	4	
22	59454363	Groove Pin	1	
26	58811969	Tapped Block	1	
27	58811985	Spring	1	
28	95364030	Hex Socket Shoulder Screw	1	3/8 - 18 x 3.0
29	95923058	Hex Jam Nut	1	1/4 - 28
30	95922183	Flat Washer	1	1/4
31	95932737	H.H.C.S.	1	1/4 - 28 x 2.5
32	95922324	Flat Washer	2	1/4
33	59929059	Clevis	1	
35	59726034	Clevis Pin	1	
36	95924049	Cotter Pin	1	1/16 x 0.50

SINGLE PEDAL BRAKE ASSEMBLY (Sheet 2 of 2)

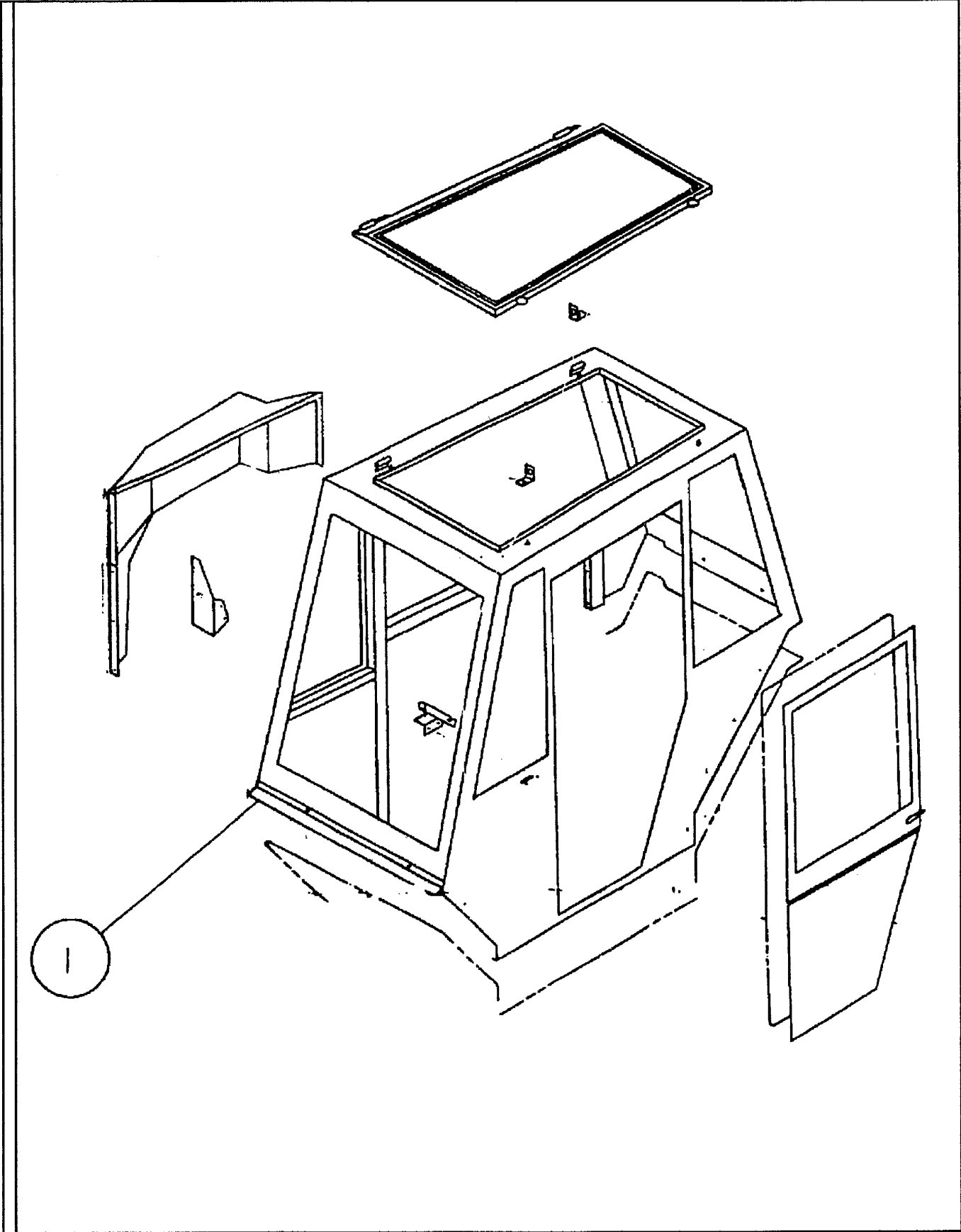


VR-90B

SINGLE PEDAL BRAKE ASSEMBLY (Sheet 2 of 2)

ITEM	COMM. NO.	DESCRIPTION	QTY	DIMENSIONS/NOTES
18	59450668	Pressure Switch	1	
19	59076042	Accumulator (Effective with S/N 147095)	1	
-	58811332	Accumulator (Prior to S/N 147095)	1	
20	59469486	Clamp Screw	1	
23	59726075	Clamp	4	
24	95426359	Hose Clamp	4	
25	59455600	Spacer Tube	4	
34	95418976	Adapter	1	1/8 - 27 x 1/8 - 27

CAB GROUP

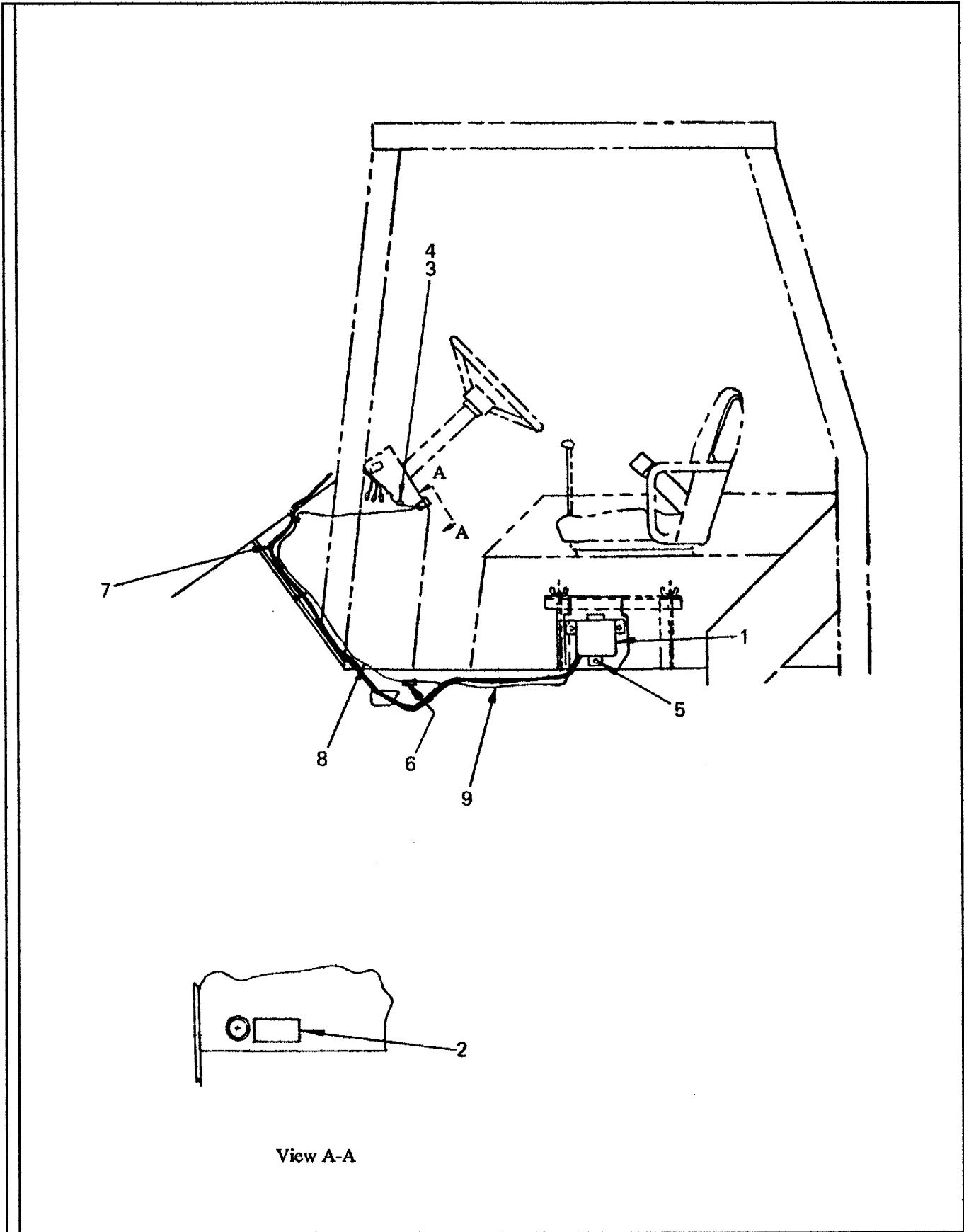




CAB GROUP

ITEM	COMM. NO.	DESCRIPTION	QTY	DIMENSIONS/NOTES
		<small>BOM 59492439</small>		
1	58883232	<b>Cab Assembly</b>	1	<b>See Breakdown - L7</b>
2	59473553	Floor Mat (Not Shown)	1	
-	59494815	Washer Installation	1	See Section A.9
-	59474080	Rear Wiper	1	See Section A.10
-	59494716	Dome Light	1	See Section A.11
-	58808221	Heater Installation	1	See Section A.12
-	58808239	Defroster	1	See Section A.12

WASHER INSTALLATION (OPTIONAL)

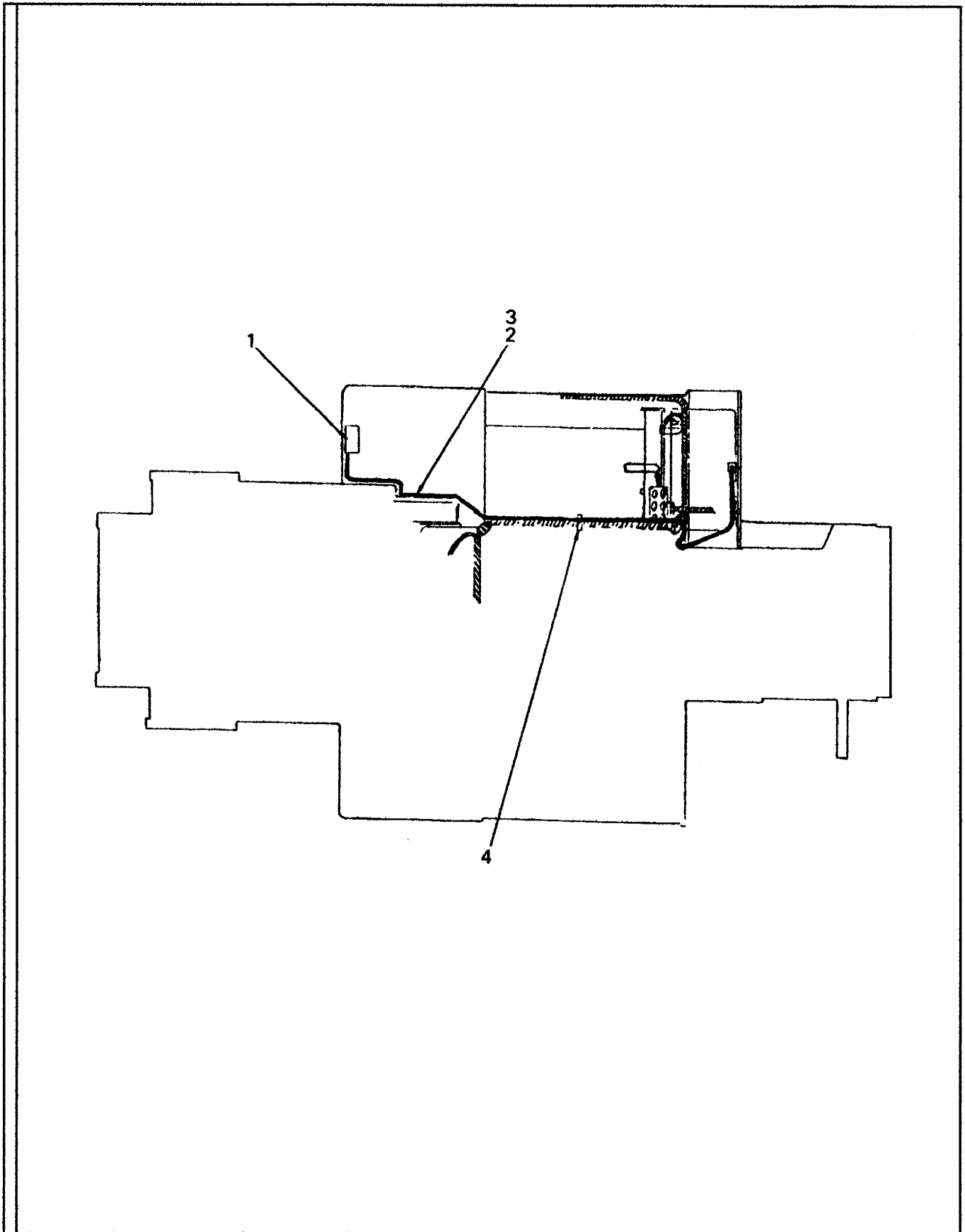


View A-A

**WASHER INSTALLATION (OPTIONAL)**

ITEM	COMM. NO.	DESCRIPTION	QTY	DIMENSIONS/NOTES
		<small>BOM 59494815</small>		
1	59494773	Washer Assembly	1	
2	59494765	Decal	1	Windshield Washer
3	59474049	Fuse Holder	1	
4	59465591	Fuse	1	5amp
6	59494781	Plate	1	
8	59941682	Nut, Lock	3	1/4-20 Whiz Nut
9	59473660	Butt Splice	1	
10	59494922	Hose	1	
11	59473678	Cable	4	
12	59494666	Conduit	1	
10	59974915	Bulk Loom	7	

REAR WIPER (OPTIONAL)



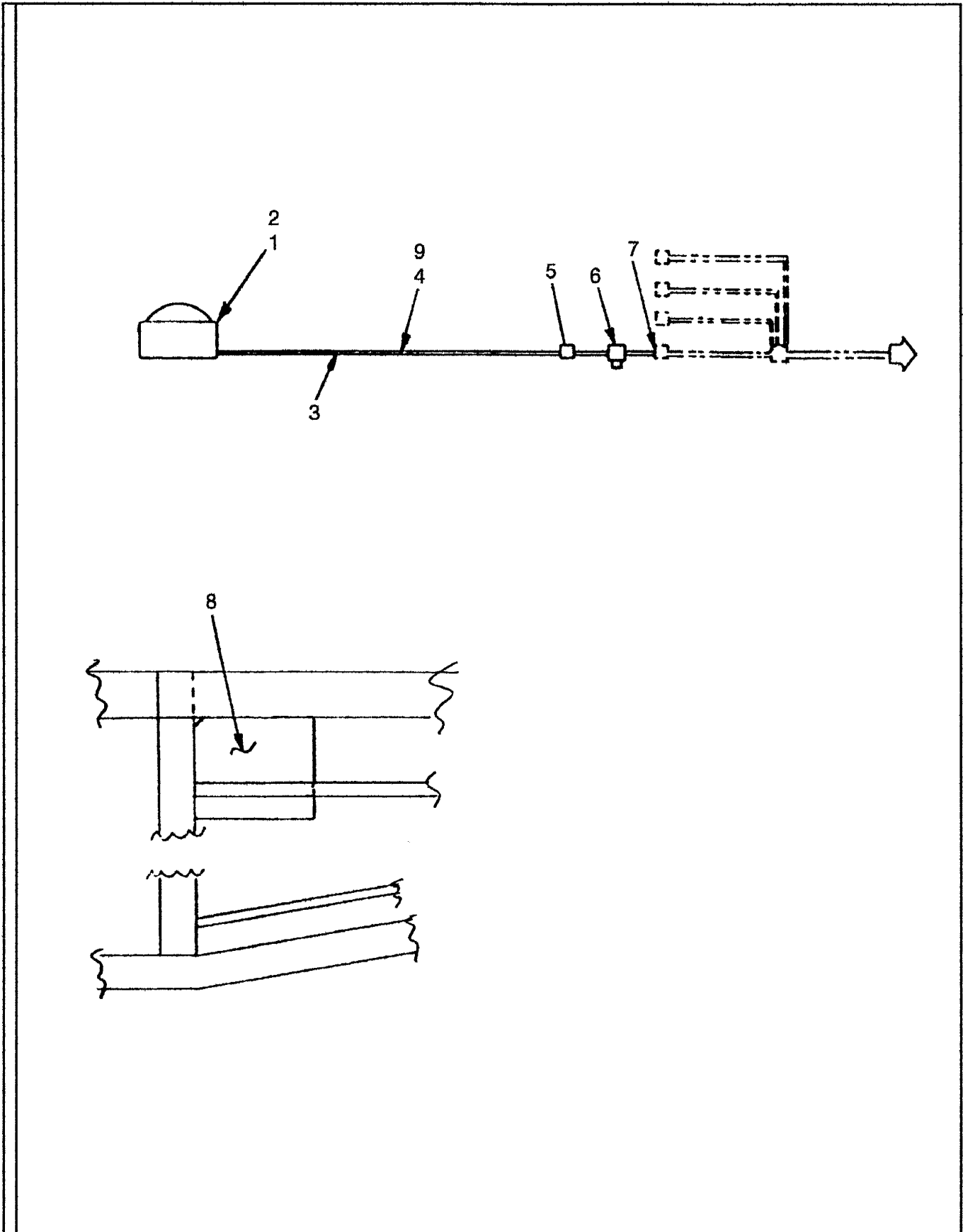
REAR WIPER (OPTIONAL)

ITEM	COMM. NO.	DESCRIPTION	QTY	DIMENSIONS/NOTES
		<small>BOM59474080</small>		
10	59474056	Wiper Assembly	1	
11	59474064	Wire Assembly	1	
12	59494674	Conduit	1	
13	95713798	Strap	5	

VR-90B

A.10.3

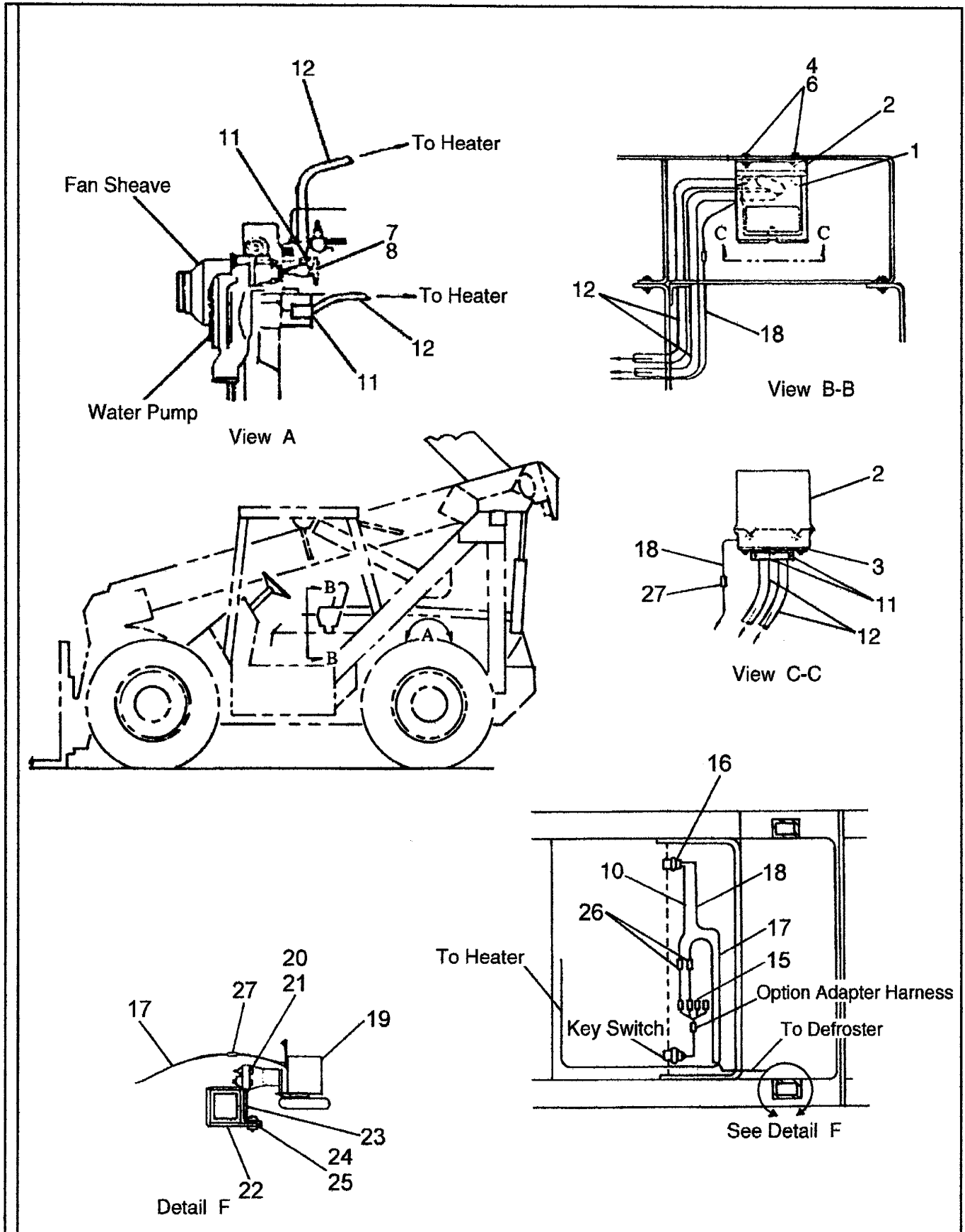
# DOME LIGHT (OPTIONAL)



DOME LIGHT (OPTIONAL)

ITEM	COMM. NO.	DESCRIPTION	QTY	DIMENSIONS/NOTES
		<small>BOM59494716</small>		
1	59494724	Dome Light	1	
2	95074175	Screw	3	#6-32 x 0.250
3	59494740	Wire	#	
4	59670554	Adhesive	5	
5	59473660	Butt Splice	1	
6	59474049	Fuse Holder	1	
7	59494690	Terminal, Bullet	1	
8	59494732	Plate	1	
9	95373973	Tyrap	5	

# HEATER/DEFROSTER INSTALLATION (OPTIONAL)

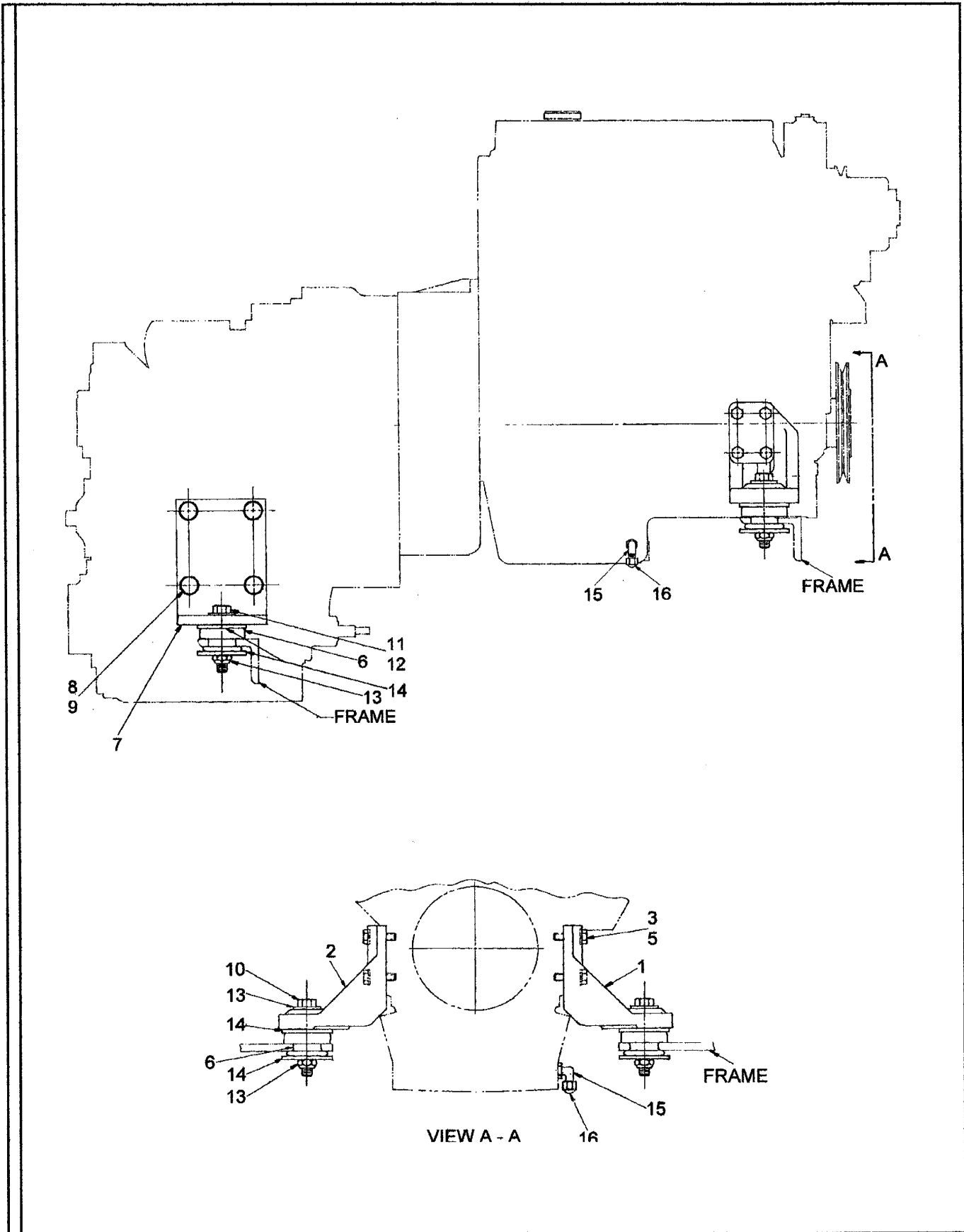




HEATER/DEFROSTER INSTALLATION (OPTIONAL)

ITEM	COMM. NO.	DESCRIPTION	QTY	DIMENSIONS/NOTES
		BOM 58884446		
-	58808221	Heater Assembly		
1	58884446	-Heater	1	
-	58875923	-Fan Assembly	1	
-	58875931	-12V Motor	1	
-	58875949	-Heater Core	1	
2	59473595	-Heater Bracket	1	
3	59918573	-Nut, Lock	3	5/16-18
4	59807941	-Nut, Lock	2	3/8-16
6	59680983	-Screw, Lock	2	3/8-16 X 1.0
7	59392795	-Valve	1	
8	59924241	-Reducer	1	
9	59465518	-Fitting (Not Shown)	1	
10	59096503	-Wiring Harness	1	
11	95090106	-Clamp	4	
12	59473637	-Hose	2	
15	59473652	-Terminal, Electrical	1	
18	59096511	-Wire Harness	1	
27	59473652	-Terminal, Electrical	1	
28	59494641	-Conduit (Not Shown)	1	
-	58808239	Defroster Assembly	1	
17	59109603	-Wire Harness	1	
19	59108308	-Fan Assembly	1	
-	<b>59474106</b>	<b>-Fan</b>	<b>1</b>	<b>See Breakdown-I.8</b>
20	95932141	-F.H.M.S. (Effective with S/N 147774)	3	#10-32 x 0.75
-	95932141	-F.H.M.S. (Prior to S/N 147774)	4	#10-32 x 0.75
21	59397042	-Nut, Lock (Effective with S/N 147774)	3	
-	59397042	-Nut, Lock (Prior to S/N 147774)	4	
22	59096552	-Bracket (Effective with S/N 147774)	1	
-	59473710	-Bracket (Prior to S/N 147774)	1	
23	59096545	-Bracket (Effective with S/N 147774)	1	
-	59473728	-Bracket (Prior to S/N 147774)	1	
24	59965962	-Bolt, Lock	2	1/4-20 x 0.75
25	59941682	-Nut, Lock	2	1/4-20
26	59325712	-Fuse	1	
27	59473652	-Terminal, Electrical	1	
28	59494641	-Conduit (Not Shown)	1	

ENGINE AND ENGINE MOUNTING (EFFECTIVE WITH S/N 149966)



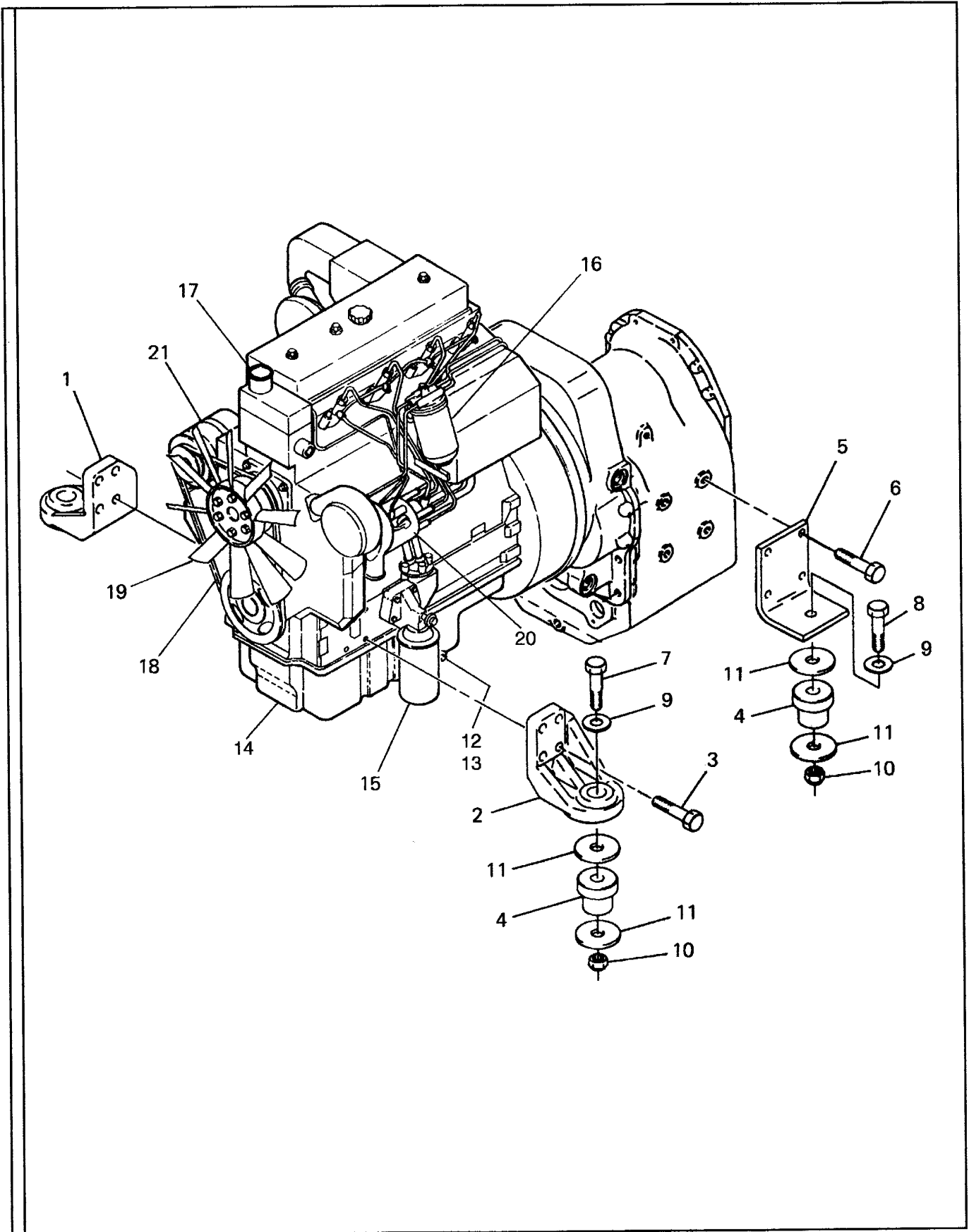
VR-90B

B.1.2

**ENGINE AND ENGINE MOUNTING (EFFECTIVE WITH S/N 149966)**

<b>ITEM</b>	<b>COMM. NO.</b>	<b>DESCRIPTION</b>	<b>QTY</b>	<b>DIMENSIONS/NOTES</b>
		<small>BOM 59457952*</small>		
1	59456509	R.H. Engine Mounting Bracket	1	
2	59456517	L.H. Engine Mounting Bracket	1	
3	96719893	H.H.C.S.	8	M12 x 45 mm
6	59455113	Motor Mount	4	
7	59452847	Plate Mount	2	
8	95920021	H.H.C.S.	8	3/4 - 10 x 1.75
10	95919924	H.H.C.S.	2	5/8 - 11 x 4.5
11	95919908	H.H.C.S.	2	5/8 - 11 X 4.0
12	95922274	Flat Washer	4	5/8
13	95923439	Lock Nut	4	5/8 - 11
14	59465187	Washer	8	
15	95303335	Elbow	1	
16	95257325	Cap Nut	1	1/2
-	59108522	Engine	1	
-	59486829	-Water Separator Filter	1	
-	58875352	-Heater/Glow Plug	4	
-	58753831	-Oil Filter	1	
-	59482653	-Fuel Filter	1	
-	00196162	-Thermostat	1	
-	58753898	-Fan Belt	1	
-	58875360	-Fan Blade	1	
-	59457267	Starter Motor	1	
-	58753294	-Brush Holder Assembly	4	
-	58762600	-Ground Brush	2	
-	58762618	-Insulated Brush	2	
-	58762626	-Brush Spring	4	
-	58875196	-Solenoid	1	
-	58965492	Alternator	1	
-	59041806	-Brush Assembly	4	
-	59041814	-Voltage Regulator	1	
-	59491696	Block Heater Kit (Consists of Element and Cord)(Not Shown)	1	
**	58919580	Filter Kit	1	
-	59438820	-Engine Oil Filter	1	
-	59438812	-Fuel Filter	1	
-	58886136	-Water Separator Filter (Spin-On Element)	1	
-	58791476	-Friction Modifier	1	4oz.

ENGINE AND ENGINE MOUNTING (PRIOR TO S/N 149966)



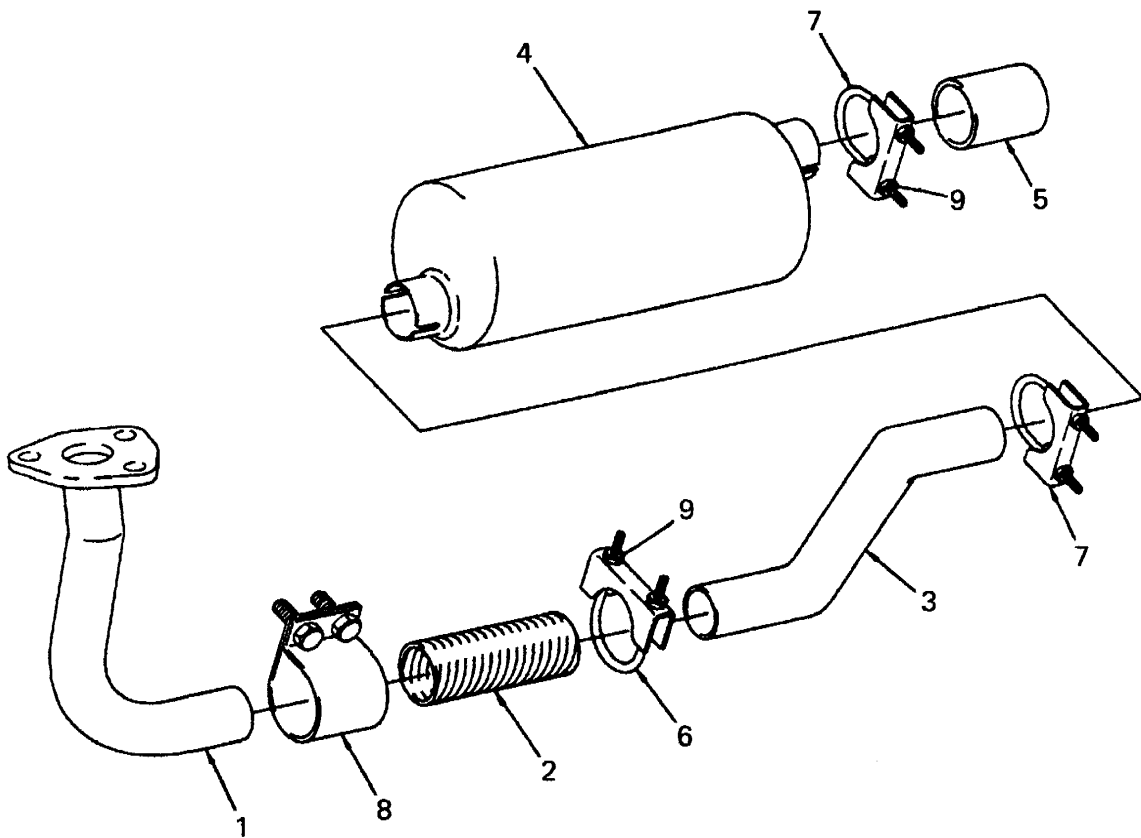
VR-90B

B.2.2

ENGINE AND ENGINE MOUNTING (PRIOR TO S/N 149966)

ITEM	COMM. NO.	DESCRIPTION	QTY	DIMENSIONS/NOTES
		BOM 59456506*		
1	59456509	R.H. Engine Mounting Bracket	1	
2	59456517	L.H. Engine Mounting Bracket	1	
3	96719893	H.H.C.S.	8	M12 x 45 mm
4	59455113	Motor Mount	4	
5	59452847	Plate Mount	2	
6	95920021	H.H.C.S.	8	3/4 - 10 x 1.75
7	95919924	H.H.C.S.	2	5/8 - 11 x 4.5
8	95919908	H.H.C.S.	2	5/8 - 11 X 4.0
9	95922274	Flat Washer	4	5/8
10	95923439	Lock Nut	4	5/8 - 11
11	59465187	Washer	8	
12	95303335	Elbow	1	
13	95257325	Cap Nut	1	1/2
14	58793316	Engine	1	
-	59486829	-Water Separator Filter	1	
-	58875352	-Heater/Glow Plug	4	
15	58753831	-Oil Filter	1	
16	59482653	-Fuel Filter	1	
17	00196162	-Thermostat	1	
18	58753898	-Fan Belt	1	
19	58875360	-Fan Blade	1	
20	59457267	Starter Motor (Not Shown)	1	
-	58753294	-Brush Holder Assembly	4	
-	58762600	-Ground Brush	2	
-	58762618	-Insulated Brush	2	
-	58762626	-Brush Spring	4	
-	58875196	-Solenoid	1	
21	58965492	Alternator	1	
-	59041806	-Brush Assembly	4	
-	59041814	-Voltage Regulator	1	
22	59491696	Block Heater Kit (Consists of Element and Cord)(Not Shown)	1	
**	58919580	Filter Kit	1	
-	59438820	-Engine Oil Filter	1	
-	59438812	-Fuel Filter	1	
-	58886136	-Water Separator Filter	1	
-	58791476	-Friction Modifier	1	4oz.

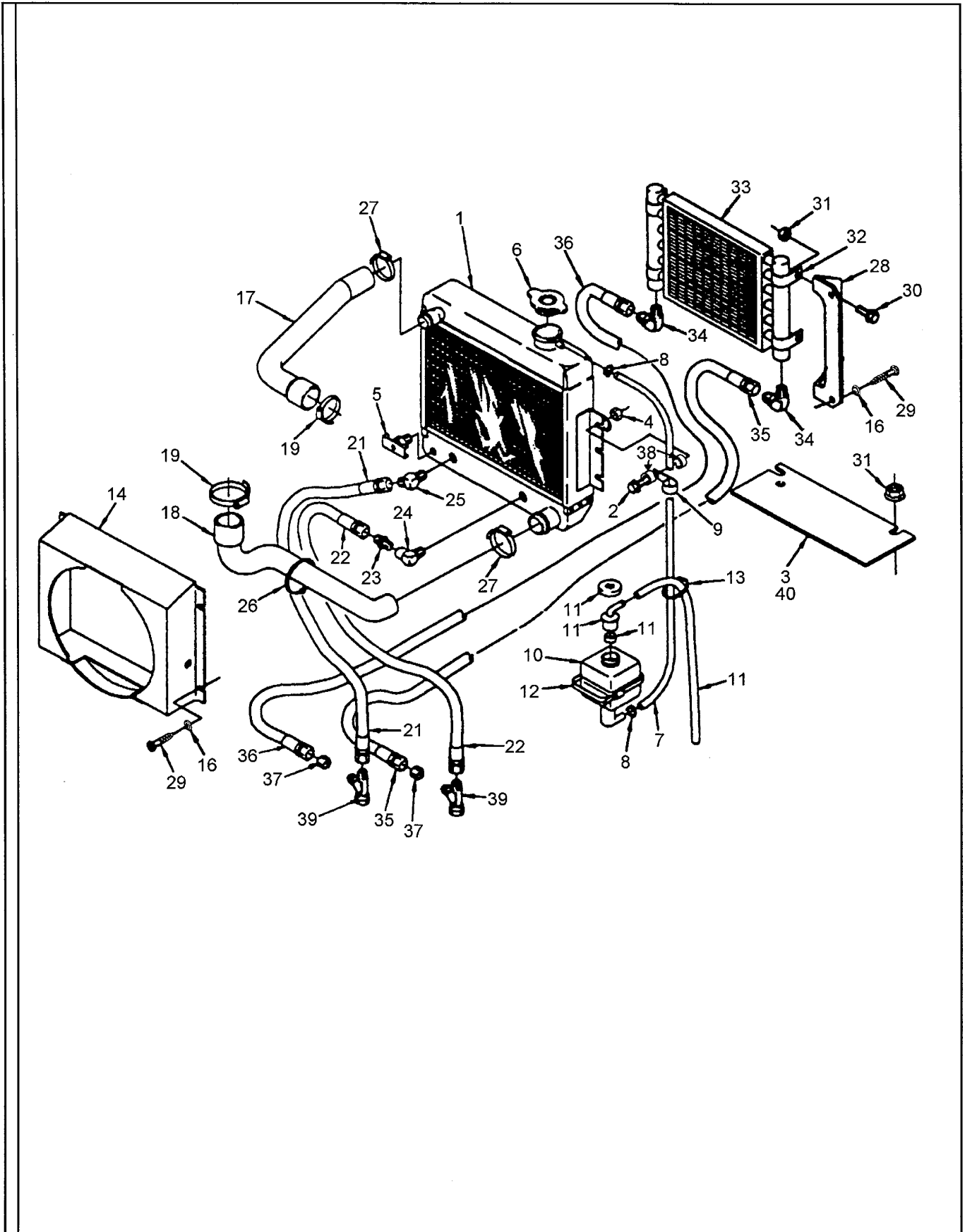
# EXHAUST



## EXHAUST

ITEM	COMM. NO.	DESCRIPTION	QTY	DIMENSIONS/NOTES
		<small>BOM 59459644</small>		
1	59452821	Exhaust Pipe	1	
2	59455964	Flex Pipe	1	
3	59456640	Exhaust Pipe	1	
4	59450262	Muffler	1	
5	59452839	Tail Pipe	1	
6	59495028	Clamp	1	
7	59495010	Clamp	2	
8	59456111	Clamp	1	
9	59918573	Lock Nut	4	5/16 - 18
<p>Note: Engine exhaust gasket, studs, nuts, and lock washers are supplied with engine.</p>				

# COOLING



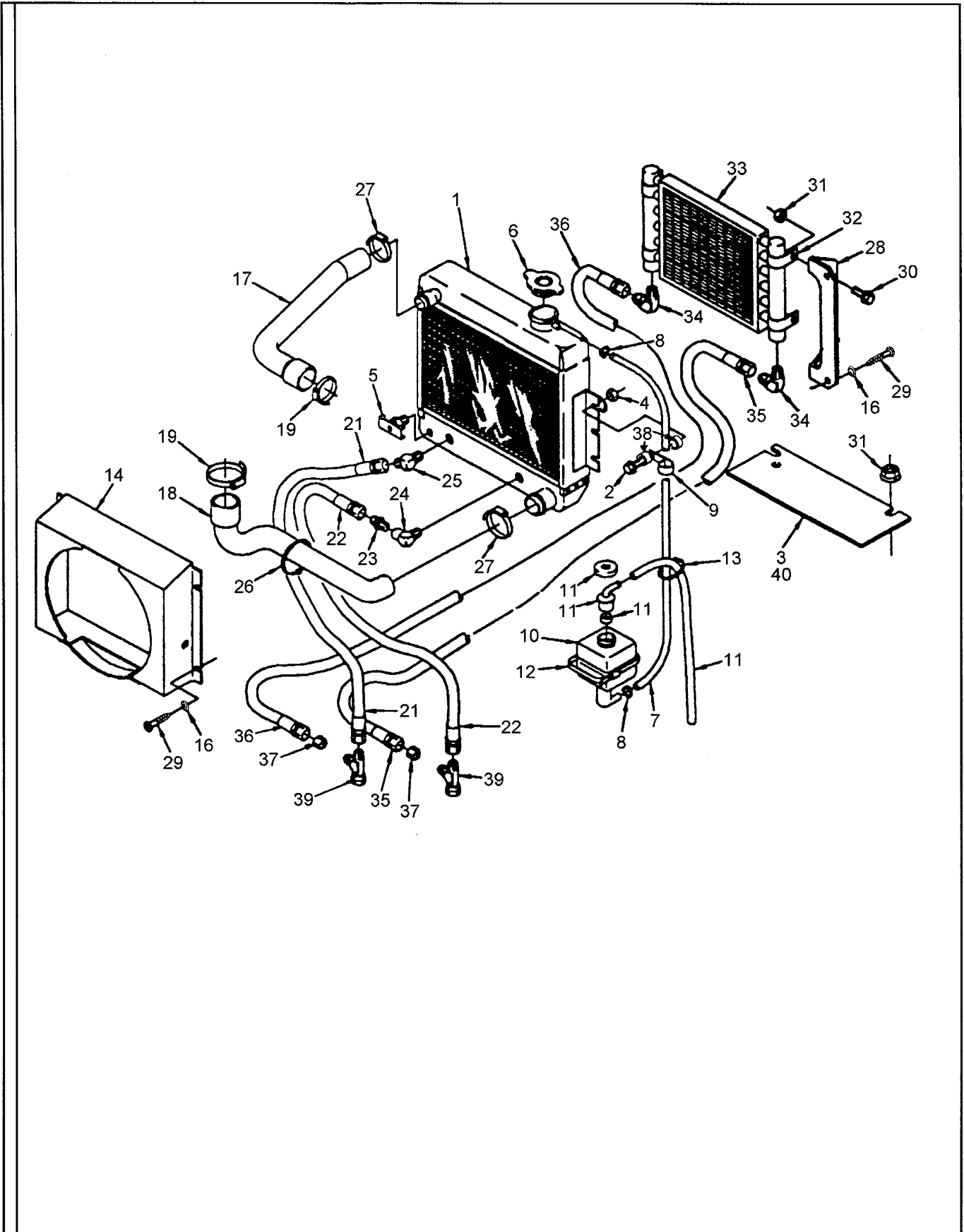
VR-90B



COOLING

ITEM	COMM. NO.	DESCRIPTION	QTY	DIMENSIONS/NOTES
		BOM59459438		
1	59450569	Radiator	1	
2	95919239	H.H.C.S.	4	3/8-16 x 1.25
3	59452987	Plate Baffle	1	
4	95923322	Nut, Lock	4	3/8-16
5	95250692	Drain Cock	1	1/4
6	59455329	Cap, Radiator	1	
7	59465153	Tube	1	
8	50274299	Clamp, Hose	2	
9	59465666	Clamp	1	
10	59455634	Reservoir, Cooling	1	
11	59452698	Outlet Assy	1	
-	59451278	-Hose	1	
-	59455659	-Reservoir, Outlet	1	
-	59455667	-Cap	1	
-	59455527	-Bushing	1	
12	95302667	Clamp, Hose	1	
13	95373973	Tyrap	1	
14	59109587	Shroud	1	
16	95922324	Washer, Flat	12	1/4 Dia.
17	59450742	Radiator Hose, Upper	1	
18	59450759	Radiator Hose, Lower	1	
19	95286266	Clamp, Hose	2	
21	59451153	Hose Assembly	1	
22	59451161	Hose	1	
23	95219747	Adapter	1	
24	59453167	Adapter	1	
25	59453159	Adapter	1	
26	95846051	Strap	1	
27	95302683	Clamp, Hose	2	
28	59492413	Bracket	2	
29	59469460	H.H.C.S.	8	
30	59869917	Screw, Lock	4	5/16-18 x .75
31	59918573	Nut , Lock	6	5/16-18
32	59465674	Clamp, Hose	4	
33	59456855	Oil Cooler	1	
34	95279386	Elbow	2	
35	59463885	Hose	1	

# COOLING

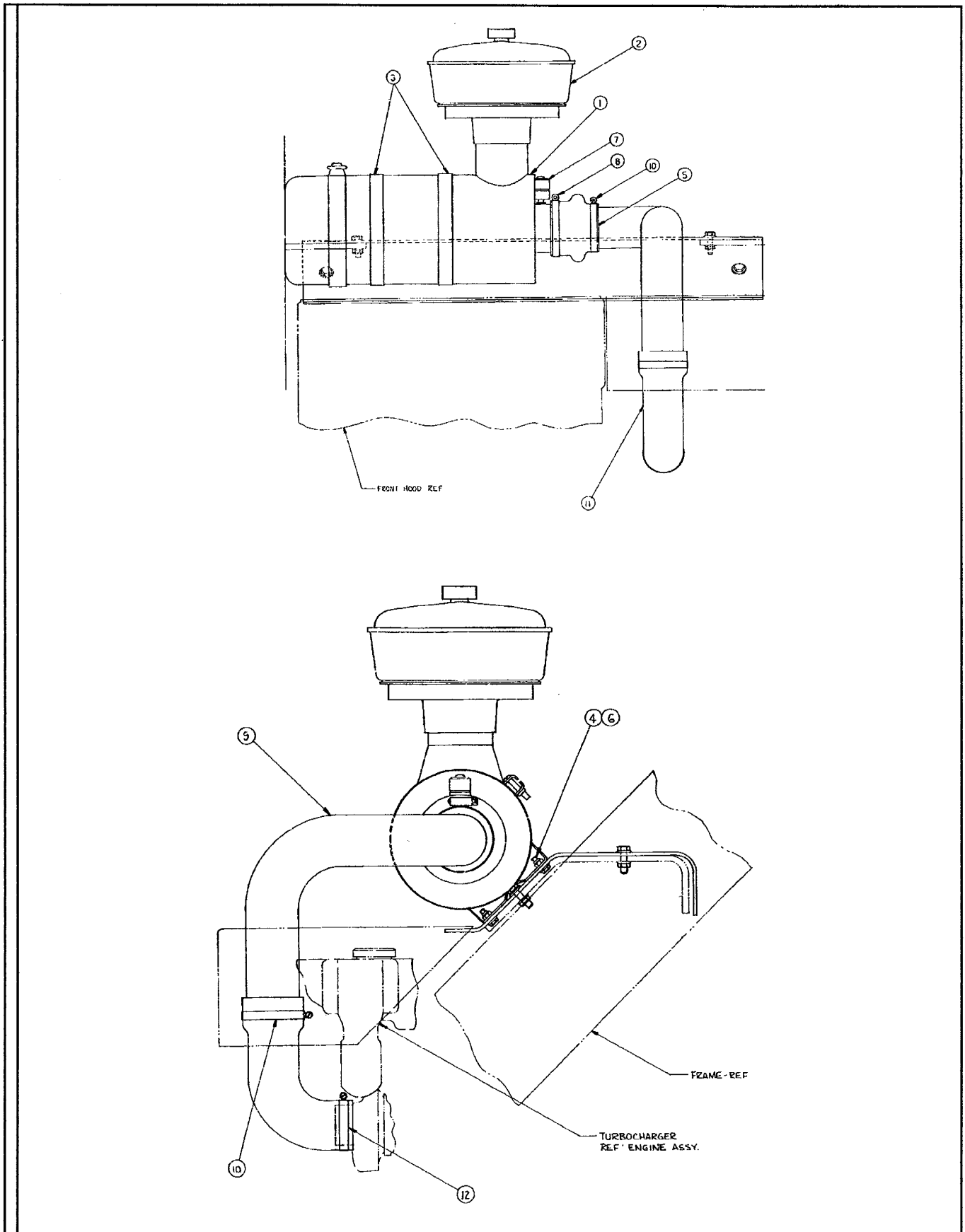


VR-90B

COOLING

ITEM	COMM. NO.	DESCRIPTION	QTY	DIMENSIONS/NOTES
36	59463877	Hose	1	
37	59672709	Adapter	2	
38	95922233	Washer, Flat	8	3/8
39	95739306	Tee	2	
40	59471755	Trim	1	
		NOTE: To replace the fan guard on machines so equipt, use the following parts:		
41	59109579	Fan Guard	2	not shown
42	59965962	Lock Bolt	4	not shown
43	59481069	Lockscrew	2	notshown
44	59941682	Locknut	2	not shown

# AIR CLEANER ASSEMBLY (EFFECTIVE WITH S/N 149966)

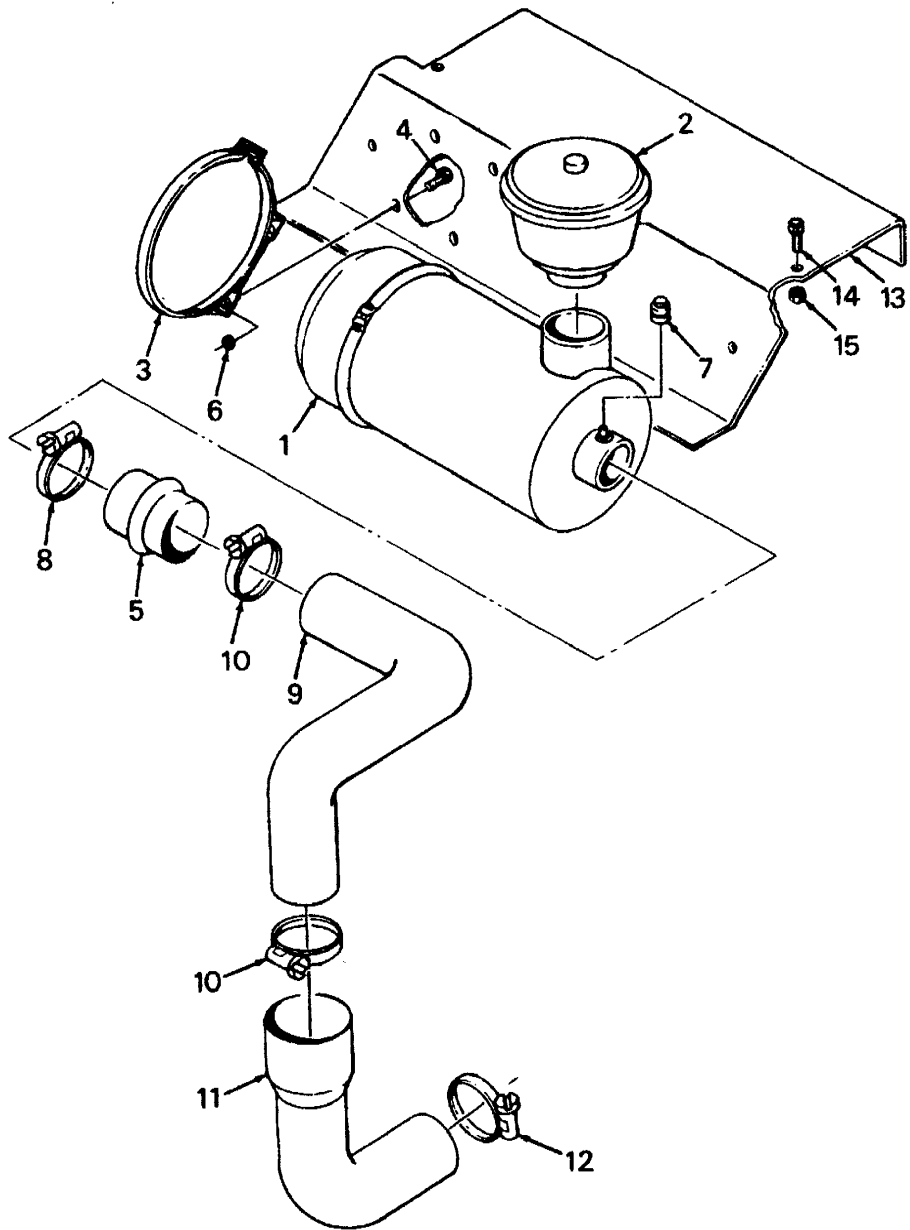


VR-90B

**AIR CLEANER ASSEMBLY (EFFECTIVE WITH S/N 149966)**

<b>ITEM</b>	<b>COMM. NO.</b>	<b>DESCRIPTION</b>	<b>QTY</b>	<b>DIMENSIONS/NOTES</b>
		<small>BOM 59467092</small>		
<b>1</b>	<b>59450270</b>	<b>Air Cleaner</b>	<b>1</b>	<b>See Breakdown-I.9</b>
2	59450213	Pre-Cleaner	1	
-	58753757	-Bowl	1	
3	50931971	Clamp	2	
4	59717702	Lock Screw	4	5/16 - 18 x 1.0
5	59456889	Reducer Hump	1	
6	95922829	Stop Nut	4	5/16 - 18
7	59429035	Service Indicator	1	
8	95325916	Hose Clamp	1	
9	59096495	Tube Air Inlet	1	
10	95426359	Hose Clamp	2	
11	59096487	Hose, Air Inlet	1	
12	95286266	Hose Clamp	1	

AIR CLEANER ASSEMBLY(PRIOR TO S/N 149966)

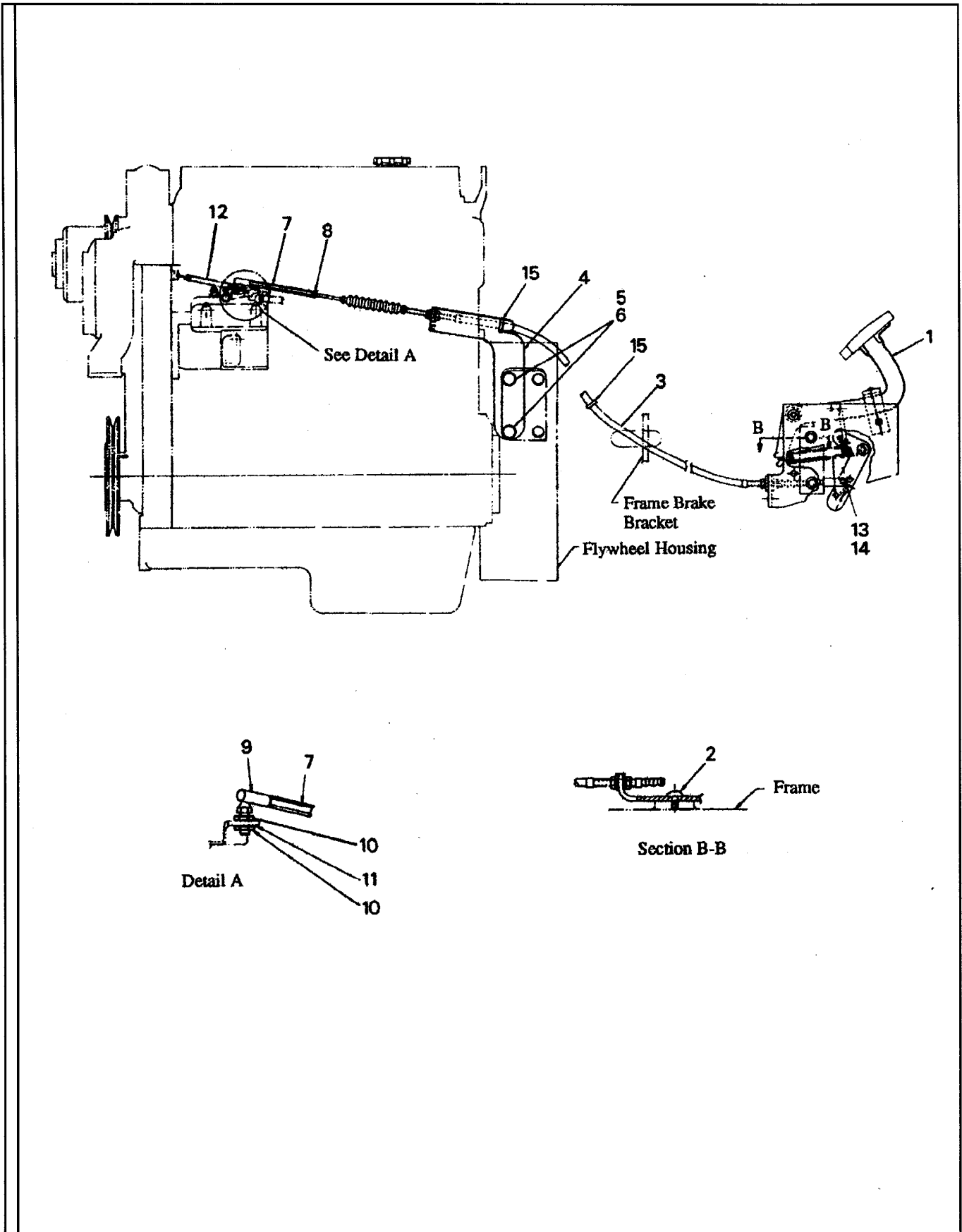


VR-90B

AIR CLEANER ASSEMBLY(PRIOR TO S/N 149966)

ITEM	COMM. NO.	DESCRIPTION	QTY	DIMENSIONS/NOTES
		<small>BOM 59467092</small>		
1	59450270	Air Cleaner	1	See Breakdown-I.9
2	59450213	Pre-Cleaner	1	
-	58753757	-Bowl	1	
3	50931971	Clamp	2	
4	59456277	Lock Screw	4	5/16 - 18 x 1.0
5	59456889	Reducer Hump	1	
6	95922829	Stop Nut	4	5/16 - 18
7	59429035	Service Indicator	1	
8	95325916	Hose Clamp	1	
9	59492546	Inlet Tube	1	
10	95426359	Hose Clamp	2	
11	59453506	Hose, Air Inlet	1	
12	95286266	Hose Clamp	1	
13	59452961	Plate, Air Cleaner	1	
14	59463711	F.H.C.S.	4	
15	59807941	Lock Nut	4	3/8 - 16

THROTTLE (EFFECTIVE WITH S/N 150967)

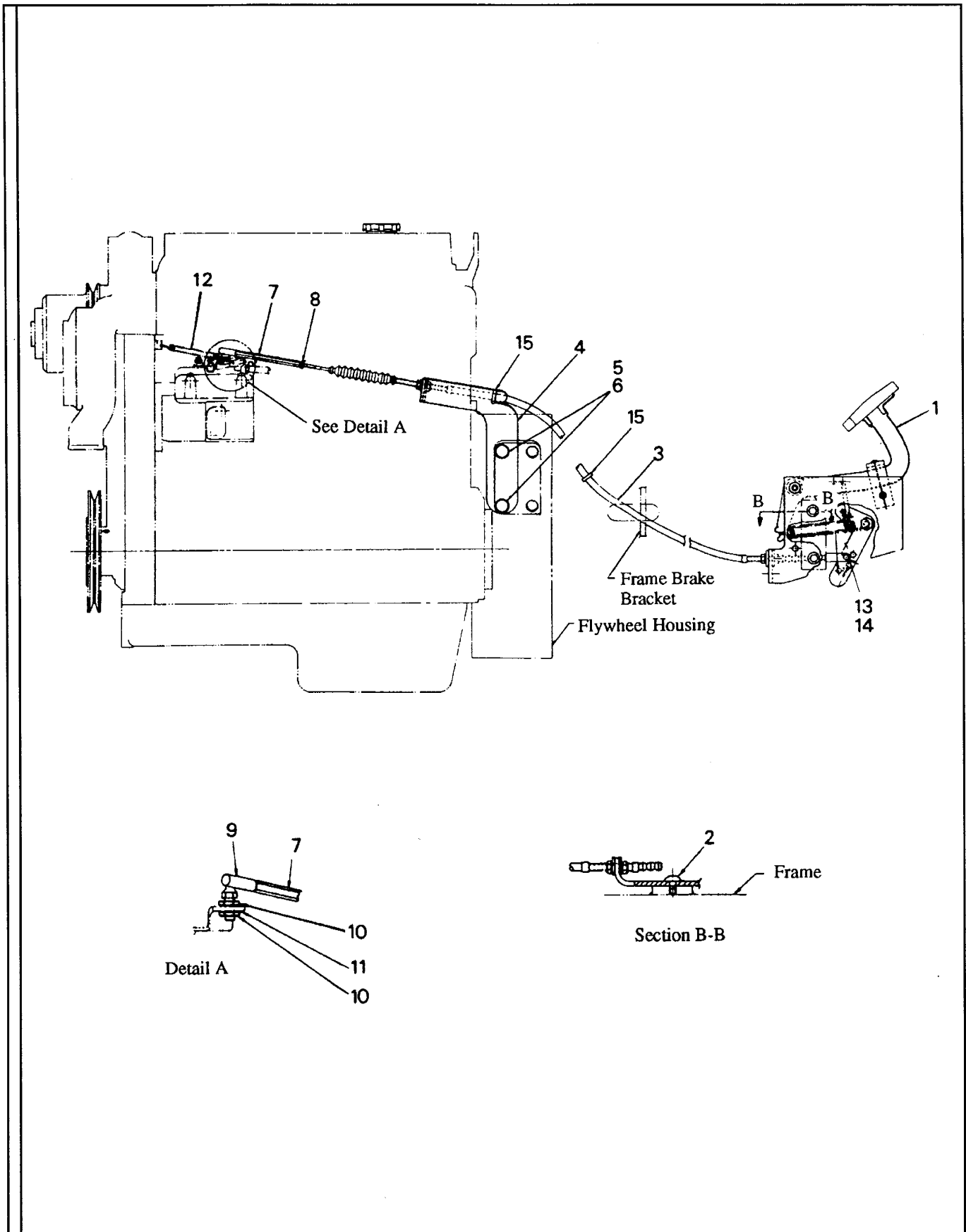




THROTTLE (EFFECTIVE WITH S/N 150967)

ITEM	COMM. NO.	DESCRIPTION	QTY	DIMENSIONS/NOTES
		BOM 59108548		
1	N.SV.A.	Throttle Pedal Bracket Assembly	1	
2	95889036	H.S.B.H.S.	2	3/8 - 16 x 0.75
3	59113159	Throttle Cable	1	
4	59114215	Throttle Cable Bracket	1	
5	96702311	H.H.C.S.	2	M12 x 30 mm
6	59510073	Lock Washer	2	
7	59457382	Throttle Link	1	
8	95923124	Hex Nut	1	10 - 32
9	59374165	Ball Stud (Special)	1	
10	95923058	Jam Nut	3	1/4 - 28
11	95379392	Lock Washer (Internal Toothed)	1	
12	59457192	Spring	1	
13	59455436	Pin Rod End	1	
14	95924023	Cotter Pin	1	3/32 x 0.75
15	95373973	Strap Clamp	A/R	

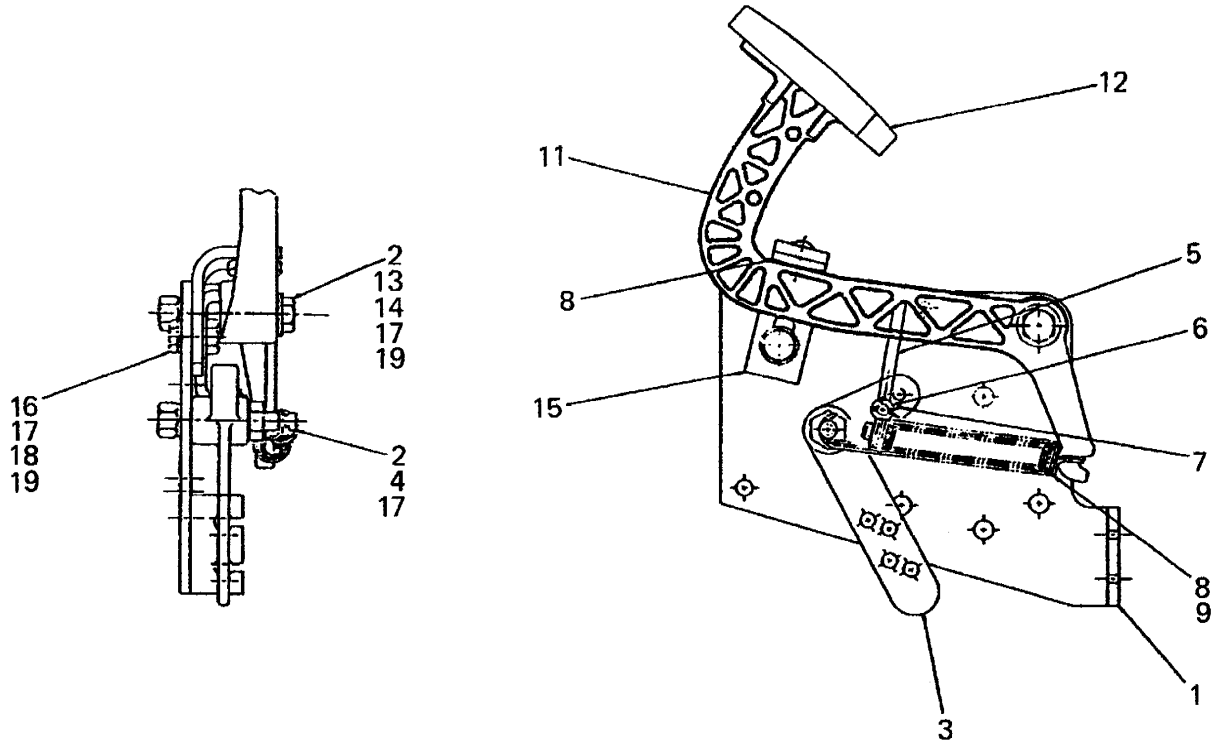
THROTTLE (PRIOR TO S/N 150967)



THROTTLE (PRIOR TO S/N 150967)

ITEM	COMM. NO.	DESCRIPTION	QTY	DIMENSIONS/NOTES
		BOM 59457945		
1	N.SV.A.	Throttle Pedal Bracket Assembly	1	
2	95889036	H.S.B.H.S.	2	3/8 - 16 x 0.75
3	59450353	Throttle Cable	1	
4	59453118	Throttle Cable Bracket	1	
5	96719802	H.H.C.S.	2	M12 x 30 mm
6	59510073	Lock Washer	2	
7	59457382	Throttle Link	1	
8	95923124	Hex Nut	1	10 - 32
9	59455410	Ball Stud	1	
10	95923058	Jam Nut	3	1/4 - 28
11	95379392	Lockwasher (Internal Toothed)	1	
12	59457192	Spring	1	
13	59455436	Pin Rod End	1	
14	95924023	Cotter Pin	1	3/32 x 0.75
15	95373973	Strap Clamp	A/R	

# THROTTLE PEDAL BRACKET ASSEMBLY



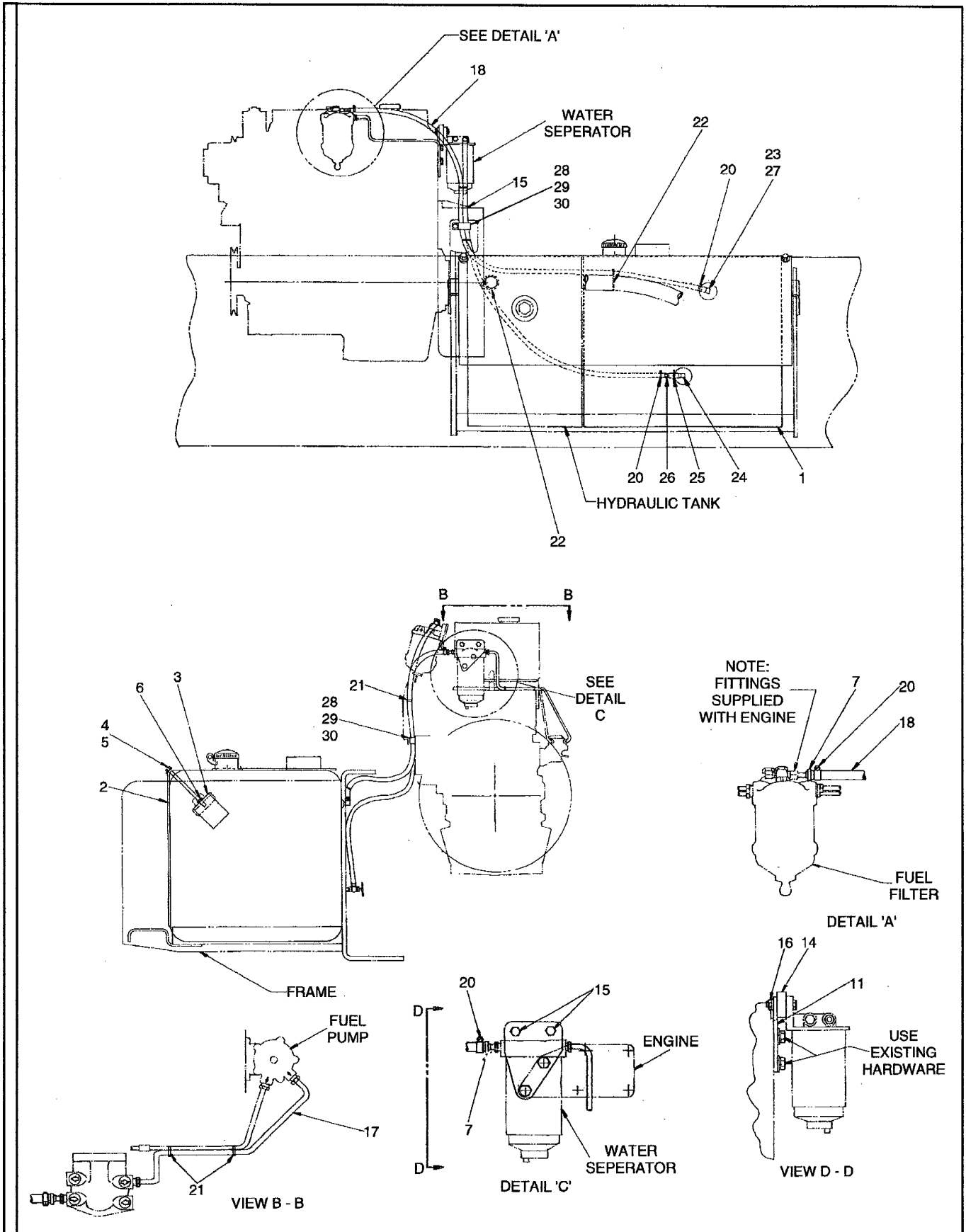
**THROTTLE PEDAL BRACKET ASSEMBLY**

<b>ITEM</b>	<b>COMM. NO.</b>	<b>DESCRIPTION</b>	<b>QTY</b>	<b>DIMENSIONS/NOTES</b>
		<small>BOM 59455741</small>		
1	59114207	Throttle Bracket (Effective with S/N 150967)	1	
-	59471797	Throttle Bracket (Prior to S/N 150967)	1	
2	96704812	Hex Nut	2	M10 - 1.5
3	59471904	Crank	1	
4	59471805	Shaft	1	
5	59471854	Formed Rod	1	
6	96703541	Washer	1	M6
7	95924049	Cotter Pin	1	1/16 x 0.50
8	59471839	Bumper	1	
9	59471888	Spring	1	
10	59471813	Spring	1	
11	59471870	Accelerator Pedal	1	
12	59471821	Pedal Pad	1	
13	59471789	Pivot Tube	1	
14	96704713	H.H.C.S	1	M10 - 1.5 x 70 mm
15	59471847	Pedal Stop Bracket	1	
16	96702287	H.H.C.S.	1	M10 x 25 mm
17	59510065	Lock Washer	3	M10
18	59471938	Jam Nut	1	M10 - 1.5
19	96704655	Flat Washer	2	M10

VR-90B

B.9.3

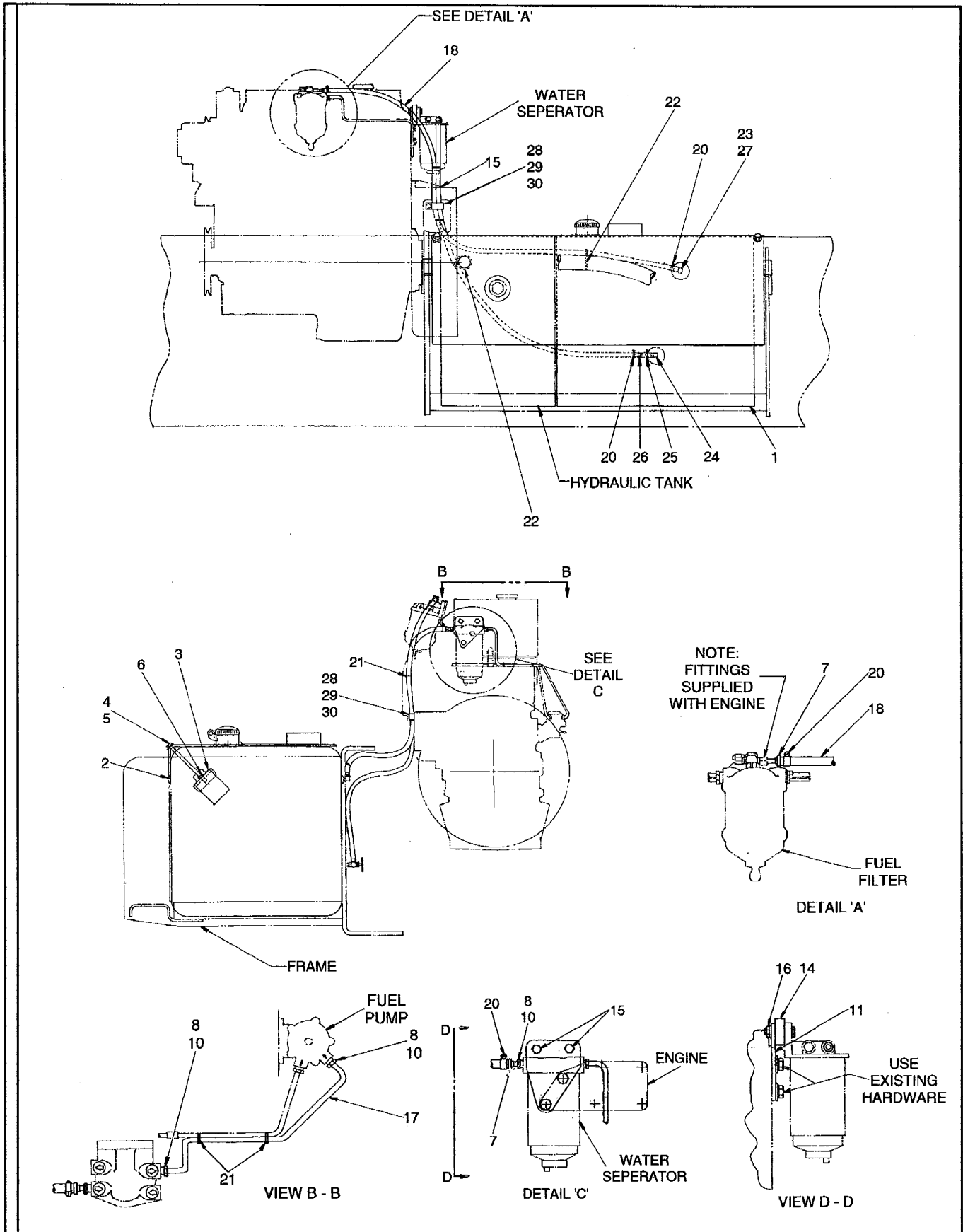
# FUEL SYSTEM (EFFECTIVE WITH S/N 149966)



FUEL SYSTEM (EFFECTIVE WITH S/N 149966)

ITEM	COMM. NO.	DESCRIPTION	QTY	DIMENSIONS/NOTES
		BOM 59108530		
1	58884453	Fuel Tank	1	
-	59415869	-Cap	1	Supplied with Fuel Tank
-	59472209	-Fuel Level Sender	1	Supplied with Fuel Tank
-	59998070	-Gasket, Fuel Level Sender	1	
2	59495226	Tank Bracket Plate	1	
3	59452870	Plate-Fmd.	2	
4	59465195	H.H.C.S. (Special)	2	
5	95922233	Washer, Flat	2	3/8 Dia.Flat Washer
6	95922977	Nut,Hex	2	3/8-16 Hex Jam Nut
7	59455899	Hose Fitting	2	
11	59096677	Plate, Filter Mounting	1	
14	59452896	Plate, Spacer	1	
15	95920500	H.H.C.S.	2	5/16-18 x 1.5
16	59918573	Whizlock Nut	2	5/16-18
17	59453597	Tube Assembly	1	
18	59451286	Hose Assembly	2	
20	50274299	Clamp Hose	4	
21	95713798	Strap	3	
22	95424586	Tyrap	2	
23	59465427	Hose Fitting	1	
24	95365599	Elbow	1	2089-2-2s
25	59469429	Shut-Off Valve	1	
26	59454389	Ftg Hose Nip	2	
27	59456012	Pipe Adapter	1	
28	59465641	Clamp	1	
29	59973511	H.H.C.S.	1	
30	59510073	Washer, Lock	1	
31	96702279	H.H.C.S.	2	M10 x 20 mm
32	96704655	Washer, Flat	2	
-	59486829	Filter, Water Seperator	1	

# FUEL SYSTEM (PRIOR TO S/N 149966)

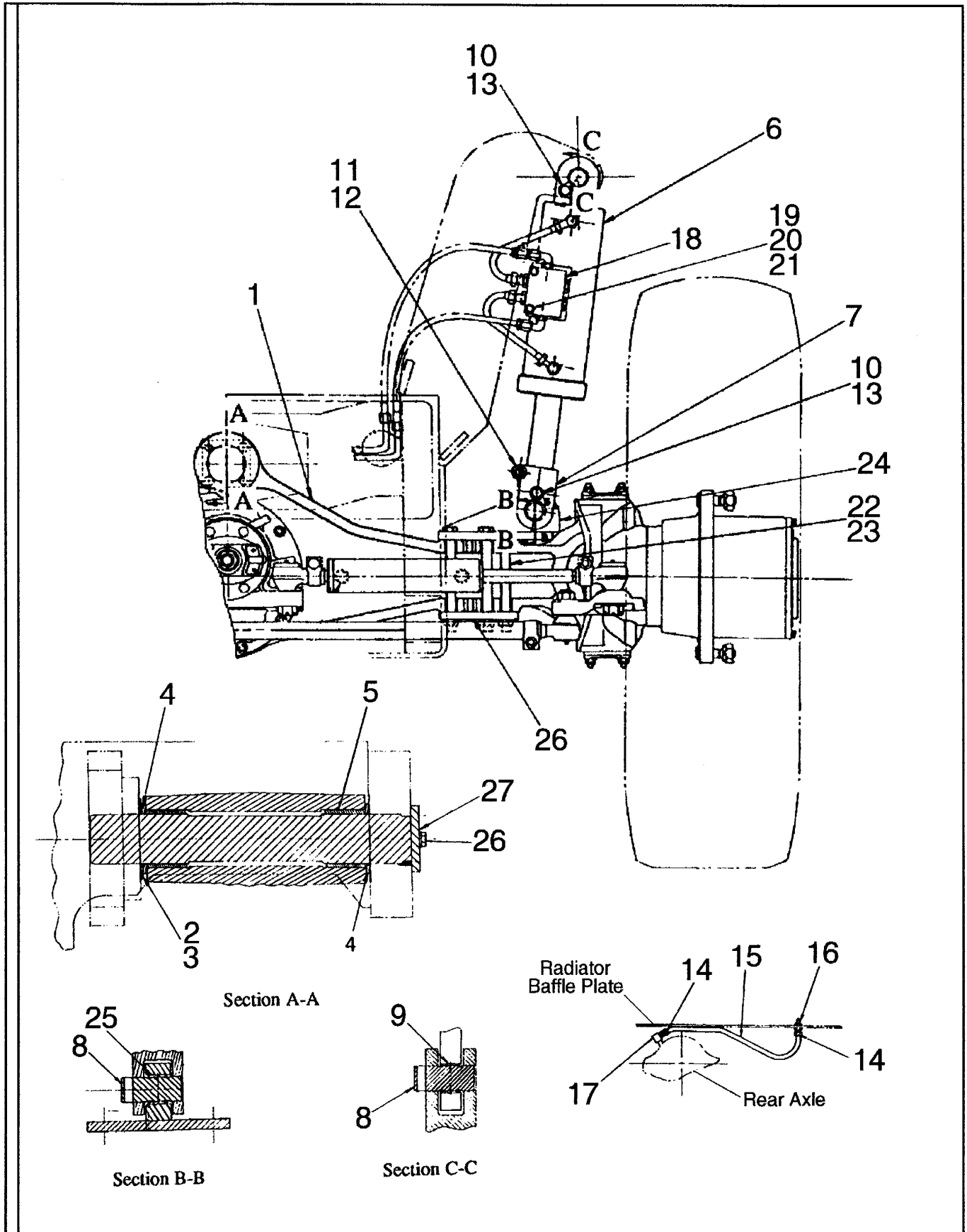




FUEL SYSTEM (PRIOR TO S/N 149966)

ITEM	COMM. NO.	DESCRIPTION	QTY	DIMENSIONS/NOTES
		BOM 59494203		
1	58884453	Fuel Tank (Effective with S/N 5358)	1	
-	59415869	-Cap (Effective with S/N 5358)	1	Supplied with Fuel Tank
-	59472209	-Fuel Level Sender	1	Supplied with Fuel Tank
-	59998070	-Gasket, Fuel Level Sender	1	
-	59450320	Fuel Tank (Prior to S/N 5358)	1	
-	59454587	-Cap Protected Seal (Prior to S/N 5358)	1	
-	59472209	-Fuel Level Sender	1	Supplied with Fuel Tank
-	59998070	-Gasket, Fuel Level Sender	1	
2	59495226	Tank Bracket Plate	1	
3	59452870	Plate	2	
4	59465195	Cap Screw (Special)	2	
5	95922233	Washer Flat	2	3/8 Dia.
6	95922977	Hex Jam Nut	2	3/8 - 16
7	59455899	Hose Fitting	2	
8	95230009	Tube Nut Sleeve	3	
9	59469296	Union Nut	3	
10	59469296	Nut	3	
11	59452813	Plate	1	
14	59452896	Plate Spacer	1	
15	95920500	H.H.C.S.	2	5/16-18 x 1.5
16	59918573	Nut, Lock	2	5/16-18
17	59453597	Tube Assembly	1	
18	59451286	Hose Assembly	2	
20	50274299	Clamp Hose	4	
21	95713798	Strap	3	
22	95424586	Cable Tie	2	
23	59465427	Hose Fitting	1	
24	95365599	Elbow	1	2089-2-2s
25	59469429	Shut-Off Valve	1	
26	59454389	Hose Nipple	2	
27	59456012	Pipe Adapter	1	
28	59465641	Clamp	1	
29	59973511	H.H.C.S. (Effective with S/N 149089)	1	
-	96702311	H.H.C.S. (Prior to S/N 149089)	1	M12 x 30 mm
30	59510073	Washer, Lock	1	
-	59486829	Filter, Water Separator	1	

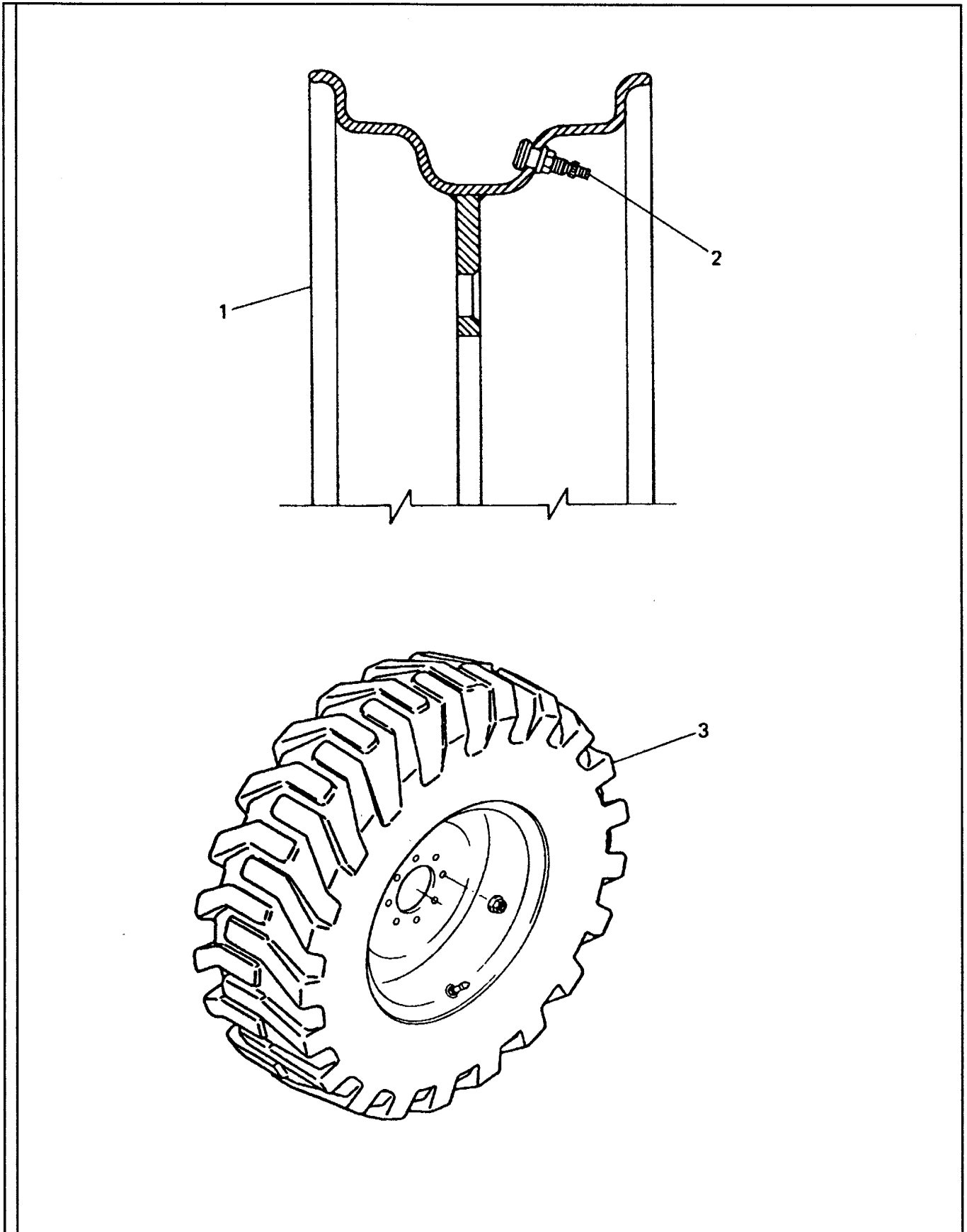
# AXLE MOUNTING AND CYLINDER



AXLE MOUNTING AND CYLINDER

ITEM	COMM. NO.	DESCRIPTION	QTY	DIMENSIONS/NOTES
		DWG 59470393-6		
-	N.SV.A.	Drive Axle Assembly	1	
<b>1</b>	<b>59110387</b>	<b>-Axle Assembly Effective with s/n 147136 plus 146644, 146654, 146693, 146720, 146721, 146722, 146803, 146807, 146808)</b>	<b>2</b>	<b>See Breakdown-I.10</b>
-	<b>59450502</b>	<b>-Axle Assembly (Prior to S/N 147136 except 146644, 146654, 146693, 146720, 146721, 146722, 146803, 146807, 146808)</b>	<b>2</b>	<b>See Breakdown-I.11</b>
2	59454447	-Shim	10	
3	59454454	-Shim	20	
4	59491878	-Thrust Washer	4	
5	59491894	-Bushing	4	
<b>6</b>	<b>59450122</b>	<b>-Axle Cylinder</b>	<b>1</b>	<b>See Breakdown-I.12</b>
7	59455014	-Rod End	1	
8	59455162	-Pin	2	
9	59450411	-Bearing	2	
10	59455154	-Anchor	2	
11	59463778	-Flange Head Cap Screw	1	1/2 - 13 x 2.25
12	59726414	-Lock Nut	1	1/2 - 13
13	59463752	-Flange Head Cap Screw	6	1/2
14	59455519	-Compression Fitting	2	
15	59469593	-Hose	1	
16	95912648	-Lube Fitting	1	1/8 NPTF
17	95365599	-Street Elbow	1	90°
-	N.SV.A.	Level Valve Assembly	1	
18	59456749	-Valve	1	
-	59480293	-Seal Kit	1	
-	59480285	-Cartridge	2	
19	95922225	-Flat Washer	2	5/16 x 0.083
20	95920542	-H.H.C.S.	2	5/16 - 18 x 2.0
21	59918573	-Lock Nut	2	5/16 - 18
-	N.SV.A.	Attachment Assembly w/o Outriggers	1	
22	95920161	-H.H.C.S.	6	3/4 - 10 x 8.50
23	95923447	-Lock Nut	6	3/4 - 10
24	59452797	-Anchor Bracket	1	
26	59452805	-Plate	1	
27	59453175	-Axle Pivot Pin	2	

# WHEEL AND TIRE



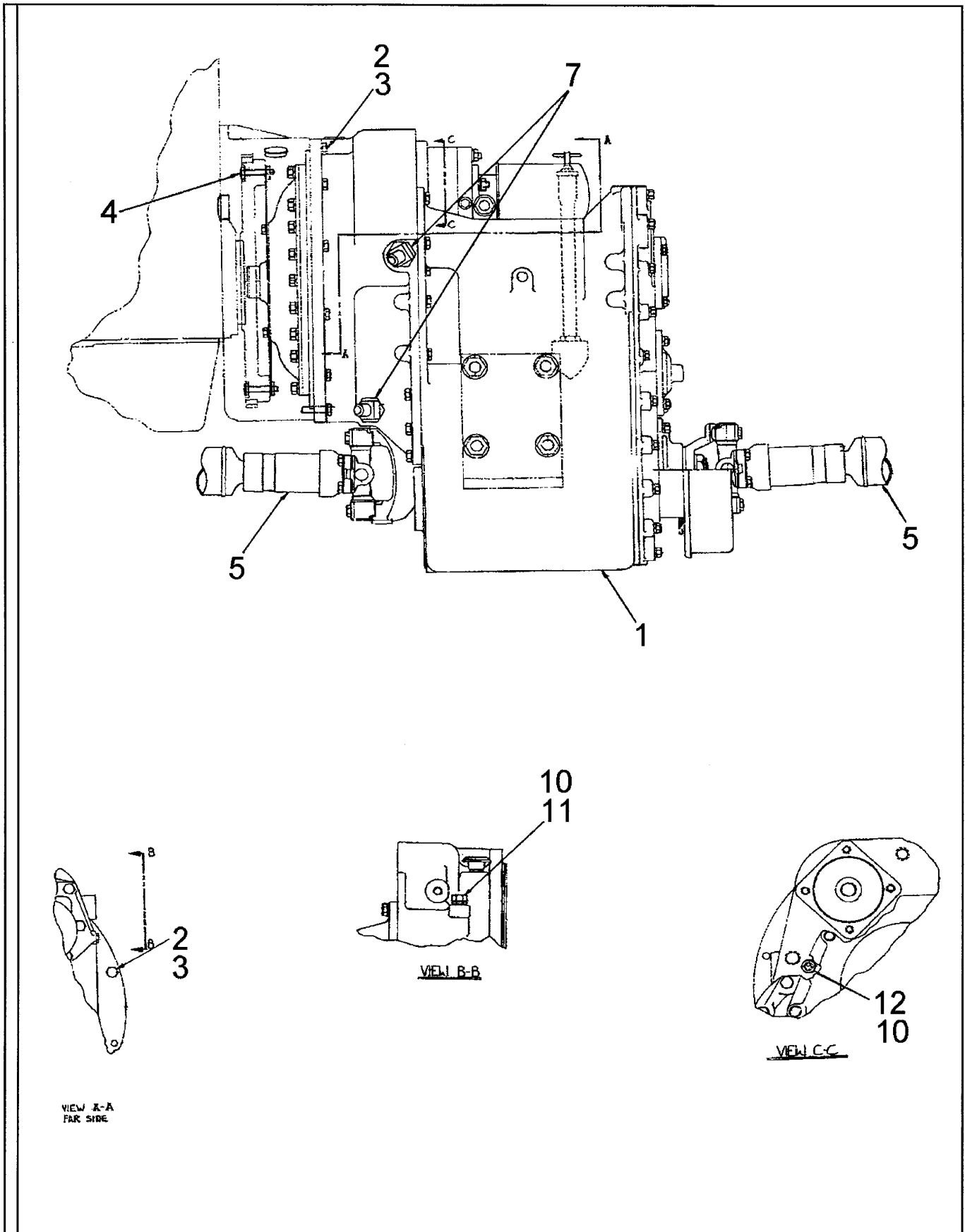
## WHEEL AND TIRE

ITEM	COMM. NO.	DESCRIPTION	QTY	DIMENSIONS/NOTES
		<small>BOM 58857392</small>		
1	59455055	Split-rim Assembly	1	8 x 24"
-	59492058	One-piece Rim	1	9 x 24"
2	59524447	Air Valve	1	
3	59455063	Tire, 12 Ply	1	13 x 24"

VR-90B

C.2.3

TRANSMISSION ASSEMBLY (EFFECTIVE WITH S/N 150477)



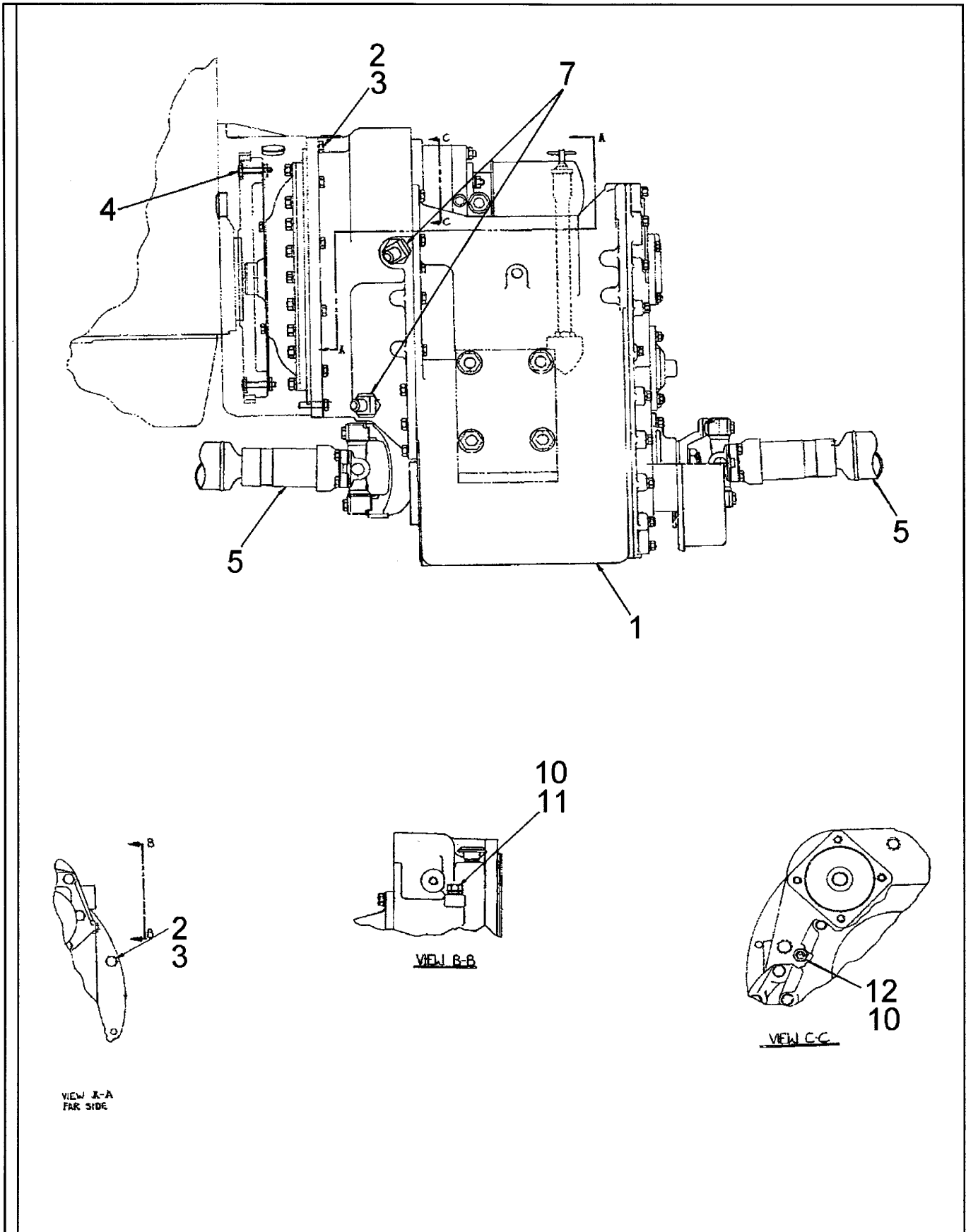
TRANSMISSION ASSEMBLY (EFFECTIVE WITH S/N 150477)

ITEM	COMM. NO.	DESCRIPTION	QTY	DIMENSIONS/NOTES
		BOM59111880		
<b>1</b>	<b>59111872</b>	<b>Transmission Assembly</b>	<b>1</b>	<b>See Breakdown-I.13</b>
-	59481234	-Dipstick Tube Assembly	1	
2	96704358	H.H.C.S.	11	M10 x 40 mm
3	59510065	Washer, Lock	11	
4	95920815	H.H.C.S.	8	3/8-24 x 1.75
<b>5</b>	<b>59450361</b>	<b>Shaft Assembly</b>	<b>2</b>	<b>See Breakdown-I.14</b>
7	95359410	Elbow (45 Deg.)	2	854-Fso-12x12
10	95257333	Cap	2	1/4 Tube Cap Nut
11	95371258	Adapter	1	9/16 O-Ring To 7/16 Jic
12	95287629	Adapter	1	

VR-90B

D.1.3

TRANSMISSION ASSEMBLY (PRIOR TO S/N 150477)

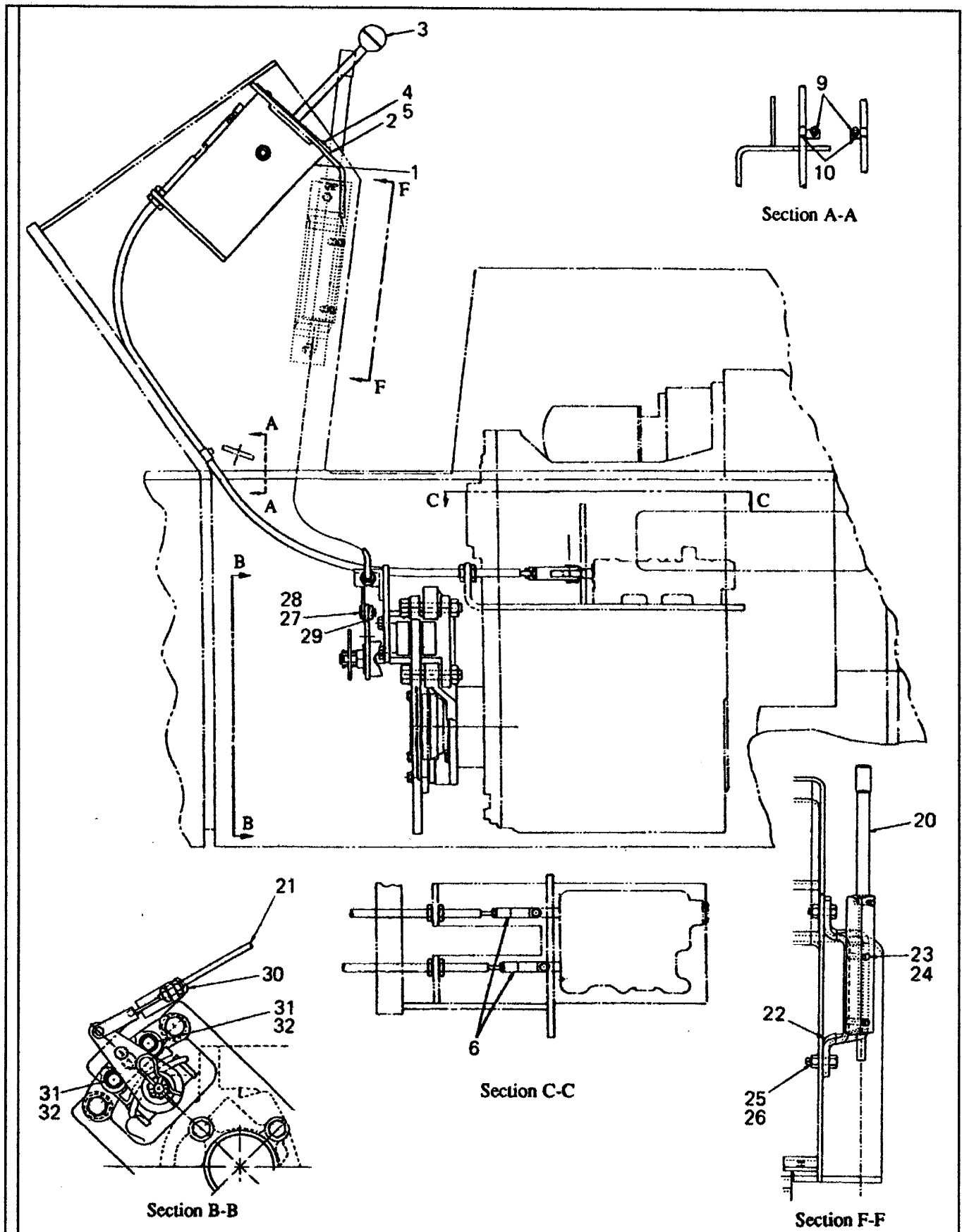




TRANSMISSION ASSEMBLY (PRIOR TO S/N 150477)

ITEM	COMM. NO.	DESCRIPTION	QTY	DIMENSIONS/NOTES
		<small>BOM 59494252</small>		
<b>1</b>	<b>59494039</b>	<b>Transmission Assembly</b>	<b>1</b>	<b>See Breakdown-I.15</b>
-	59481259	-Dipstick	1	
2	96704358	H.H.C.S.	11	M10 x 40 mm
3	59510065	Lockwasher	11	
4	95920815	H.H.C.S.	8	3/8 - 24 x 1.75
<b>5</b>	<b>59450361</b>	<b>Shaft Assembly</b>	<b>2</b>	<b>See Breakdown-I.14</b>
7	95359410	Elbow 45°	2	12 x 12
10	95257333	Nut, Tube Cap	2	1/4
11	95371258	Adapter (Effective with S/N 150477)	1	9/16 O-Ring To 7/16 JIC
-	95263380	Connector (Prior to S/N 150477)	1	
12	95287629	Adapter	1	

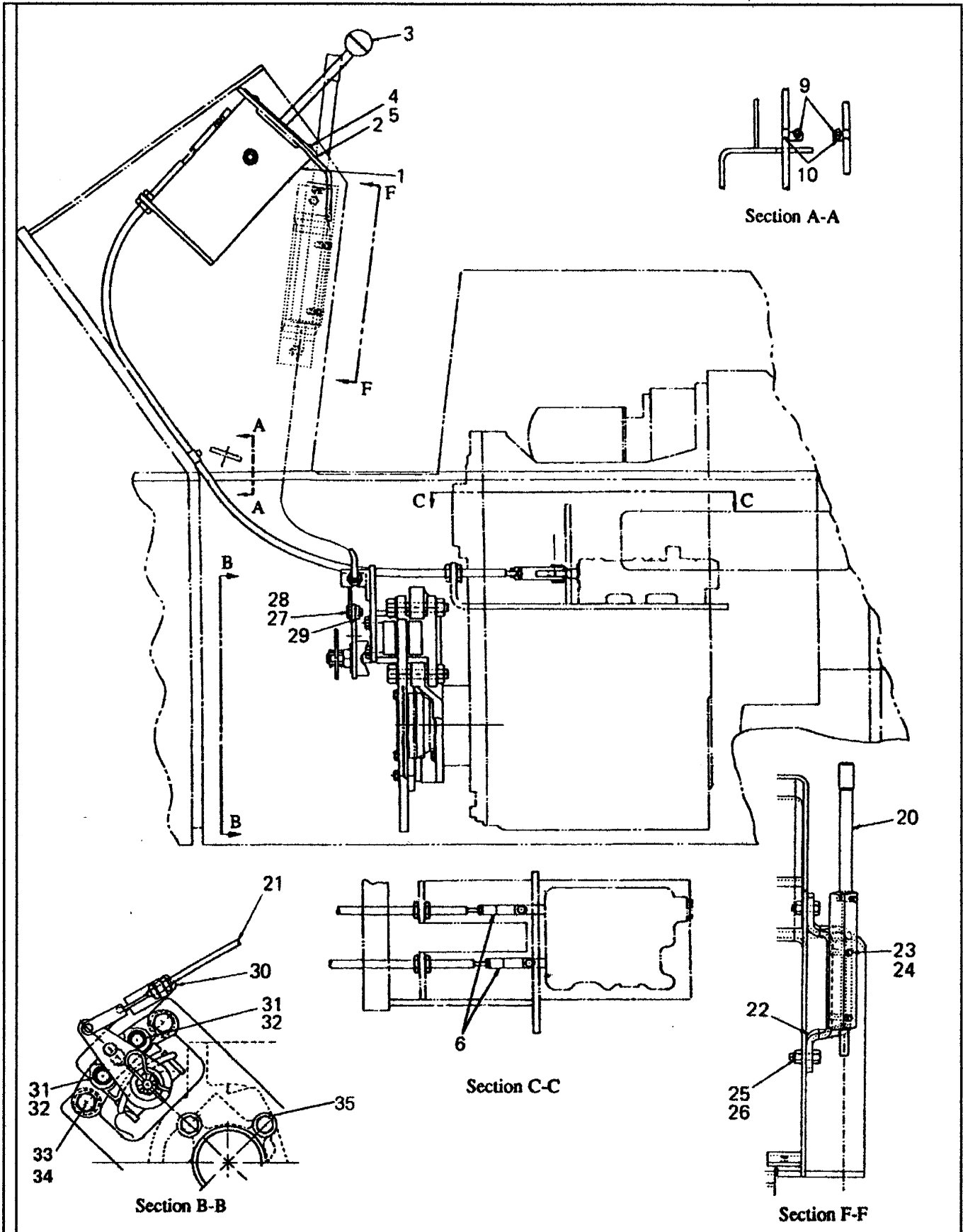
TRANSMISSION CONTROLS AND PARK BRAKE (EFFECTIVE WITH S/N 150477)



**TRANSMISSION CONTROLS AND PARK BRAKE (EFFECTIVE WITH S/N 150477)**

<b>ITEM</b>	<b>COMM. NO.</b>	<b>DESCRIPTION</b>	<b>QTY</b>	<b>DIMENSIONS/NOTES</b>
		<small>BOM 58862655</small>		
1	<b>N.SV.A.</b>	<b>Transmission Control Lever Assembly</b>	<b>1</b>	<b>See Section D.6</b>
2	59456343	Plate, Shifter	1	
3	59454983	Knob	2	
4	95888996	H.S.B.H.S.	4	
5	59941682	Nut	4	
6	59604835	Rod End	2	
9	59918573	Nut	2	
10	59465658	Insulated Clamp	2	
20	58851320	Brake Lever Assembly	1	
-	58874637	-Cable Clamp	1	
-	58874645	-Spacer	1	
-	58874652	-Spacer	2	
-	58875212	-Cotter Key	1	
-	58875220	-Flat Washer	1	
-	58875261	-Pin	1	
21	58961707	Cable Assembly	1	
22	59093906	Bracket , Parking Brake	1	
23	59918573	Lock Nut	2	5/16-18
24	58827973	Lock Screw	2	5/16-18 x 2
25	59918573	Lock Nut	2	5/16-18
26	59928606	Lock Screw	2	5/16-18 x 1.25
27	59565705	Clevis Pin	1	
28	95923918	Cotter Pin	1	1/8 x 1"
29	95922373	Washer Flat	1	3/8 Dia
30	59093765	Plate, Cable Bracket	1	
31	95498994	Bolt	2	5/8-11 Unc x 3" lg.
32	59093914	Extension Spring	1	

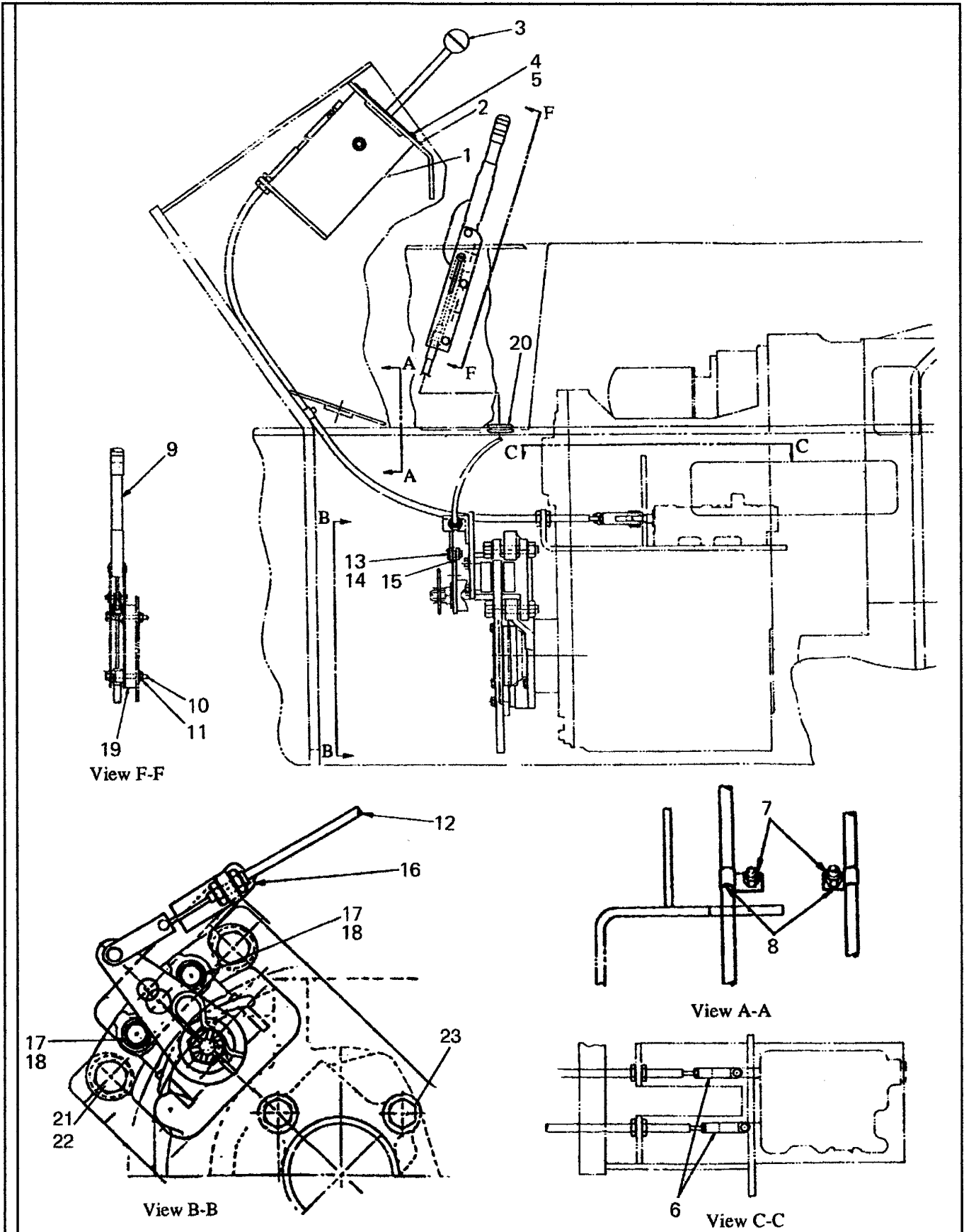
TRANSMISSION CONTROLS AND PARK BRAKE  
 (EFFECTIVE WITH TO S/N 5249 PLUS 5232 AND 5233)



**TRANSMISSION CONTROLS AND PARK BRAKE  
(EFFECTIVE WITH S/N 5249 PLUS 5232 AND 5233)**

<b>ITEM</b>	<b>COMM. NO.</b>	<b>DESCRIPTION</b>	<b>QTY</b>	<b>DIMENSIONS/NOTES</b>
		<small>BOM 58882655</small>		
1	<b>N.SV.A.</b>	<b>Transmission Control Lever Assembly</b>	<b>1</b>	<b>See Section-D.6</b>
2	59456343	Plate, Shifter	1	
3	59454983	Knob	2	
4	95888996	H.S.B.H.S.	4	
5	59941682	Nut	4	
6	59604835	Rod End	2	
9	59918573	Nut	2	
10	59465658	Insulated Clamp	2	
20	58851320	Brake Lever Assembly	1	
-	58874637	-Cable Clamp	1	
-	58874645	-Spacer	1	
-	58874652	-Spacer	2	
-	58875212	-Cotter Key	1	
-	58875220	-Flat Washer	1	
-	58875261	-Pin	1	
21	58961707	Cable Assy (Effective With S/N: 140552)	1	
-	58882648	Cable Assembly (Prior To S/N: 140552)	1	
22	58852724	Bracket	1	
23	59918573	Lock Nut	2	5/16 - 18
24	58827973	Lock Screw	2	5/16 - 18 x 2.0
25	59918573	Lock Nut	2	5/16 - 8
26	59928606	Lock Screw	2	5/16 - 18 x 1.25
27	59565705	Pin Clevis	1	
28	95923918	Cotter Pin	1	1/8 x 1.0
29	95922373	Washer Flat	1	3/8 Dia.
30	59497842	Bracket, Brake	1	
31	95920765	H.H.C.S.	2	1/2 - 13 x 3.5
32	59957134	Washer, Hardened	2	1/2 Dia.
33	59044990	H.H.C.S.	2	
34	59045005	Nut	2	
35	95919742	H.H.C.S.	2	

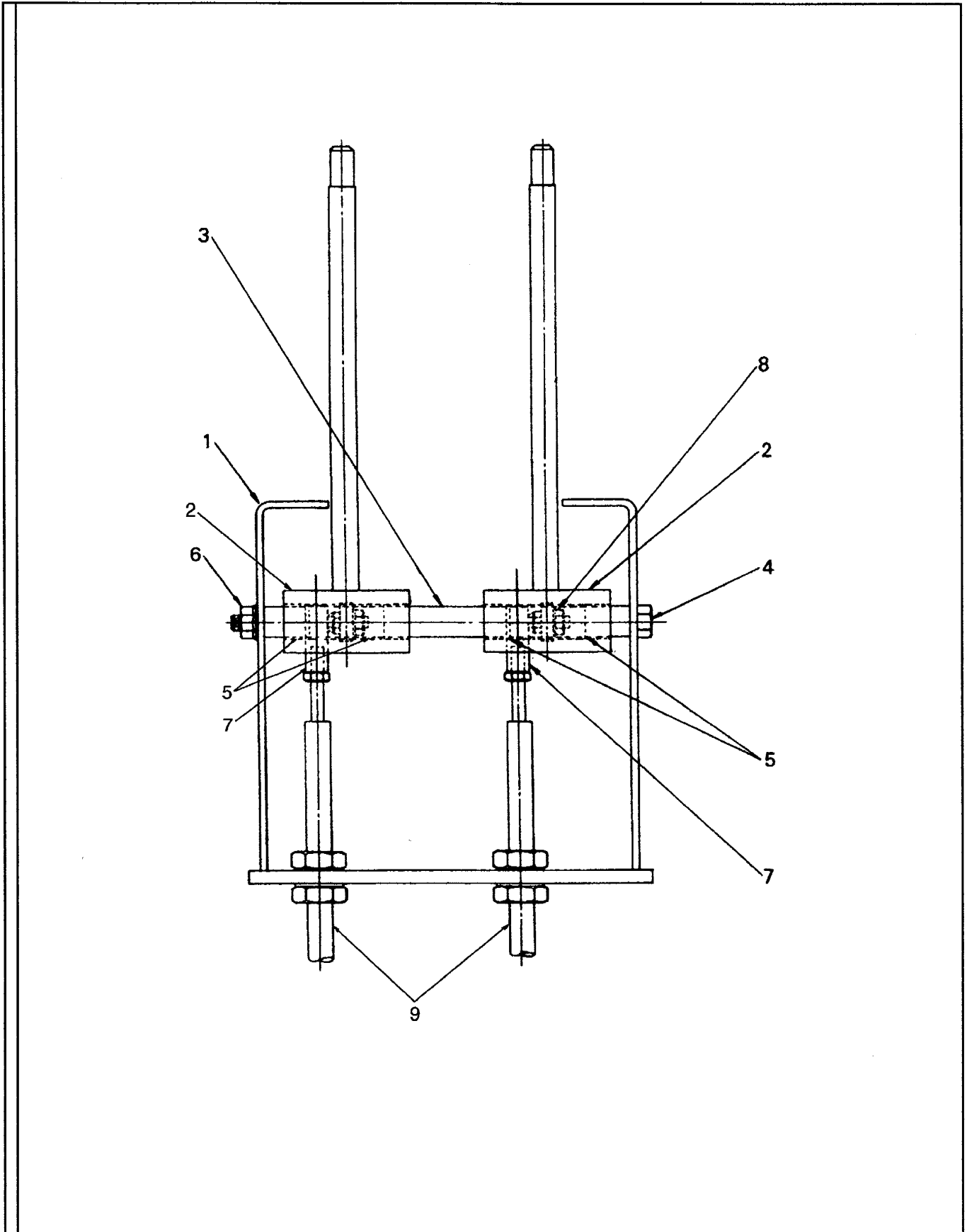
TRANSMISSION CONTROLS AND PARK BRAKE  
(PRIOR TO S/N 5249 EXCEPT 5232 AND 5233)



**TRANSMISSION CONTROLS AND PARK BRAKE  
(PRIOR TO S/N 5249 EXCEPT 5232 AND 5233)**

<b>ITEM</b>	<b>COMM. NO.</b>	<b>DESCRIPTION</b>	<b>QTY</b>	<b>DIMENSIONS/NOTES</b>
		<small>BOM 59492561</small>		
1	N.SV.A.	Control Lever Assembly	1	See Section-D.6
2	59456343	Plate Shifter	1	
3	59454983	Knob	2	
4	95888996	H.S.B.H.S.	4	1/4 - 20 x 1.0
5	59941682	Nut	4	1/4 - 20
6	59604835	Rod End	2	
7	59918573	Lock Nut	2	5/16 - 18
8	59465658	Insulated Clamp	2	
9	59492553	Park Brake Lever Assembly	1	Includes Hardware
-	58875212	-Cotter Pin	1	
-	58875220	-Washer	1	
-	58875261	-Pin	1	
-	58875238	-Cable Clamp	1	
-	58875246	-Spacer	1	
-	58875253	-Spacer	1	
-	58868878	-Light Switch	1	
10	95920567	H.H.C.S.	2	5/16 - 18 x 2.5
11	59918573	Nut	6	5/16 - 18
12	59450403	Cable	1	
13	59565705	Pin Rod End	1	
14	95931507	Cotter Pin	1	
15	95922373	Washer	1	3/8
16	59497842	Bracket Cable	1	
17	95920765	H.H.C.S.	2	1/2 - 13 x 3.5
18	59957134	Hardened Washer	2	1/2
19	59453035	Spacer	1	
20	59456095	Grommet	1	
21	59044990	H.H.C.S.	2	
22	59045005	Nut	2	
23	95919742	H.H.C.S.	2	

# CONTROL LEVER ASSEMBLY

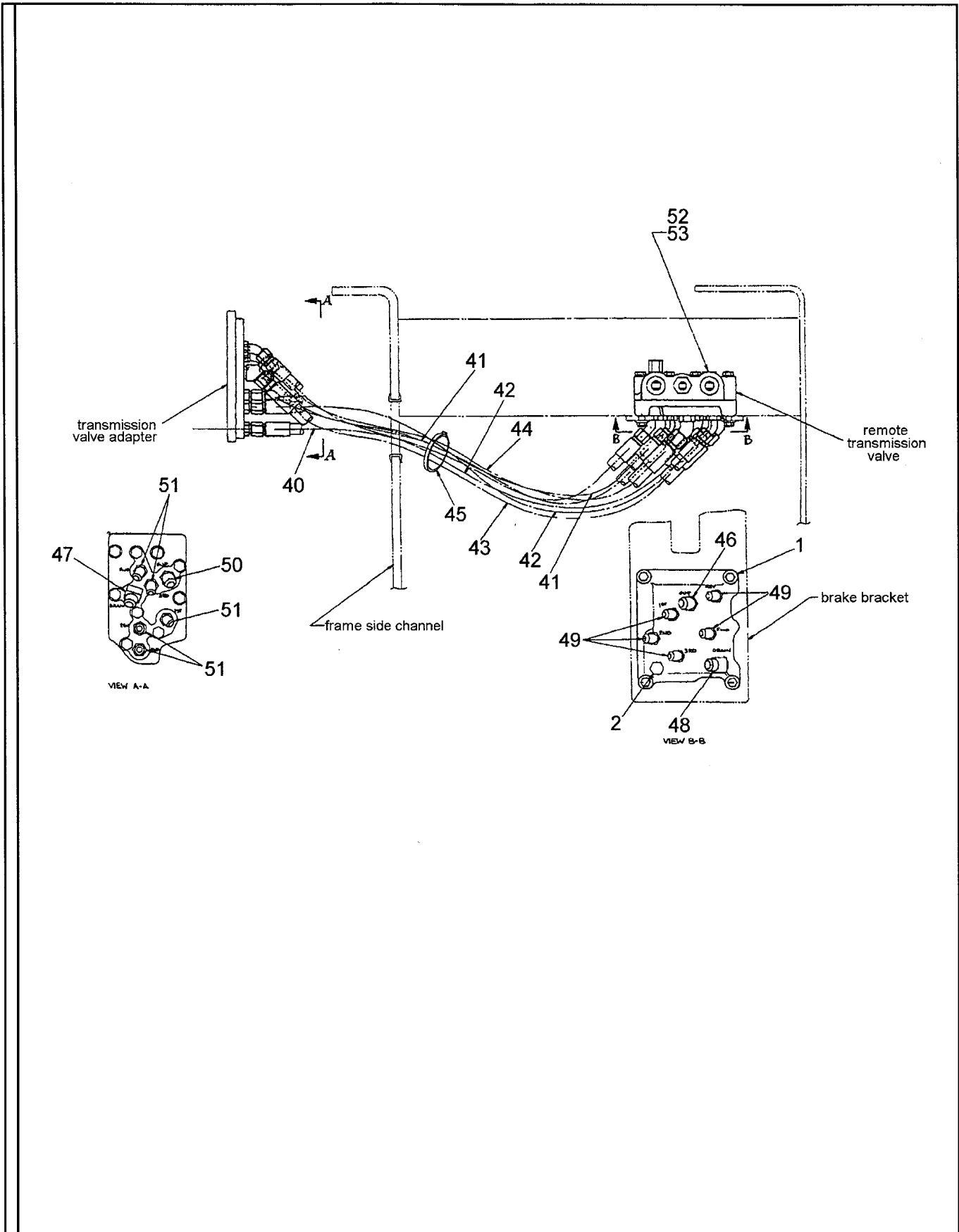




## CONTROL LEVER ASSEMBLY

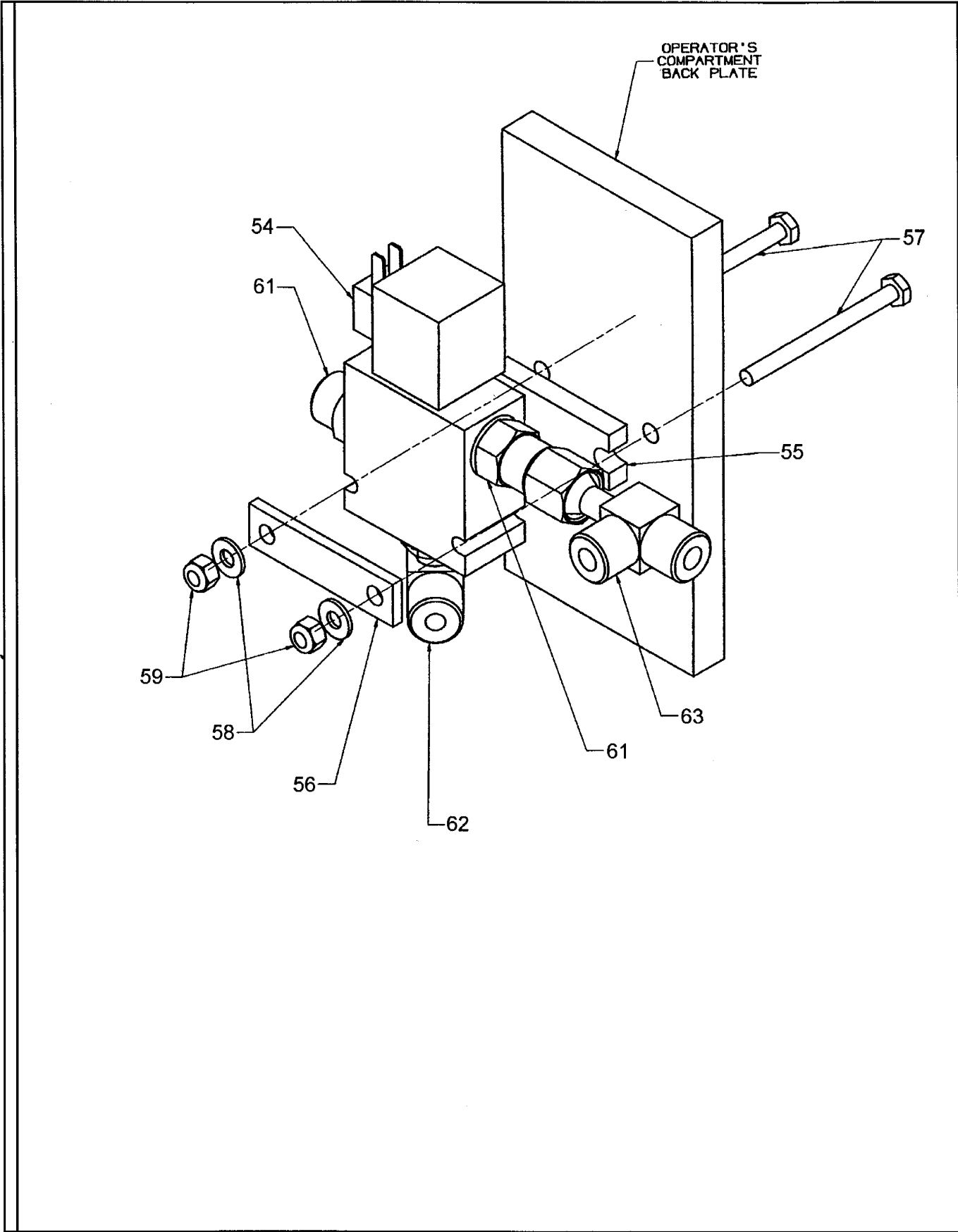
ITEM	COMM. NO.	DESCRIPTION	QTY	DIMENSIONS/NOTES
		<small>BOM 59465302</small>		
1	59451831	Control Bracket	1	
2	59453126	Lever Shift	2	
3	59454108	Tube Pivot	1	
4	95919411	H.H.C.S.	1	3/8 - 16 x 8.0
5	59457218	Bushing	4	
6	59807941	Lock Nut	1	3/8 - 16
7	59463786	Balljoint	2	
8	59468413	Lock Nut	2	1/4 - 28
9	59456418	Cable Assembly	2	

TRANSMISSION PLUMBING (EFFECTIVE WITH S/N 149089) - SHEET 1 OF 2



TRANSMISSION PLUMBING (EFFECTIVE WITH S/N 149089) - SHEET 1 OF 2

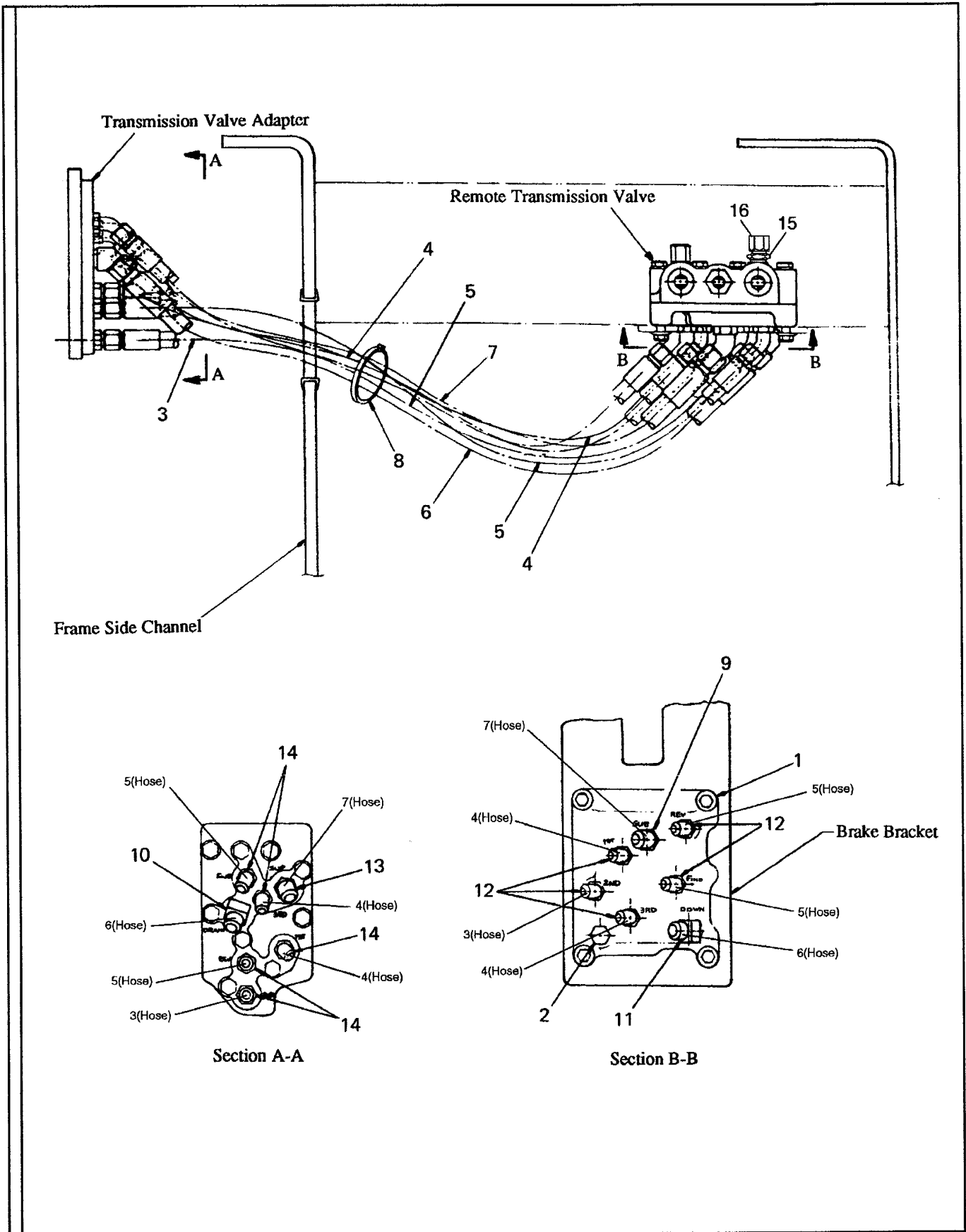
ITEM	COMM. NO.	DESCRIPTION	QTY	DIMENSIONS/NOTES
		<small>BOM 59096586</small>		
1	59463703	Flange Head Cap Screw	4	
2	95666996	Plug	1	
40	59496091	Hose Assembly 6 ORS Str. SW x 6 ORS Str. SW	1	27.5"
41	59496117	Hose Assembly 6 ORS Str. SW x 6 ORS Str. SW	2	30.5"
42	59496083	Hose Assembly 6 ORS Str. SW x 6 ORS Str. SW	2	33"
43	59496125	Hose Assembly 8 ORS Str. SW x 8 ORS Str. SW	1	32"
44	59496109	Hose Assembly 8 ORS Str. SW x 8 ORS Str. SW	1	33"
46	59922260	45° Adapter (8 ORS x 8 ORB)	1	
47	59903138	Str. Adapter (8 ORS x 8 NPTF)	1	
48	59923599	Str. Adapter (8 ORS x 8 NPTF)	1	
49	59918441	45° Adapter (6 ORS x 6 ORB)	5	
50	59922492	Str. Adapter (8 ORS x 8 ORB)	1	
51	59919670	Str. Adapter (6 ORS x 6 ORB)	5	
52	95287629	Adapter	1	
53	95257333	Nut, Tube Cap	1	1/4



TRANSMISSION PLUMBING (EFFECTIVE WITH S/N 149089) - SHEET 1 OF 2

ITEM	COMM. NO.	DESCRIPTION	QTY	DIMENSIONS/NOTES
54	58825464	Brake Valve	1	
55	59090274	Plate Spacer	1	
56	59306522	Cover Plate	1	
57	95919437	H.H.C.S.	2	1/4-20 x 3.0
58	95922324	Washer Flat	2	1/4 Dia.
59	95923199	Nut Lock	2	1/4-20
60	59093898	Hose Assembly	2	24"
61	59922484	Str. Adapter	2	
62	59922880	Adapter	1	
63	59923797	Tee	1	

TRANSMISSION PLUMBING (PRIOR TO S/N 149089)

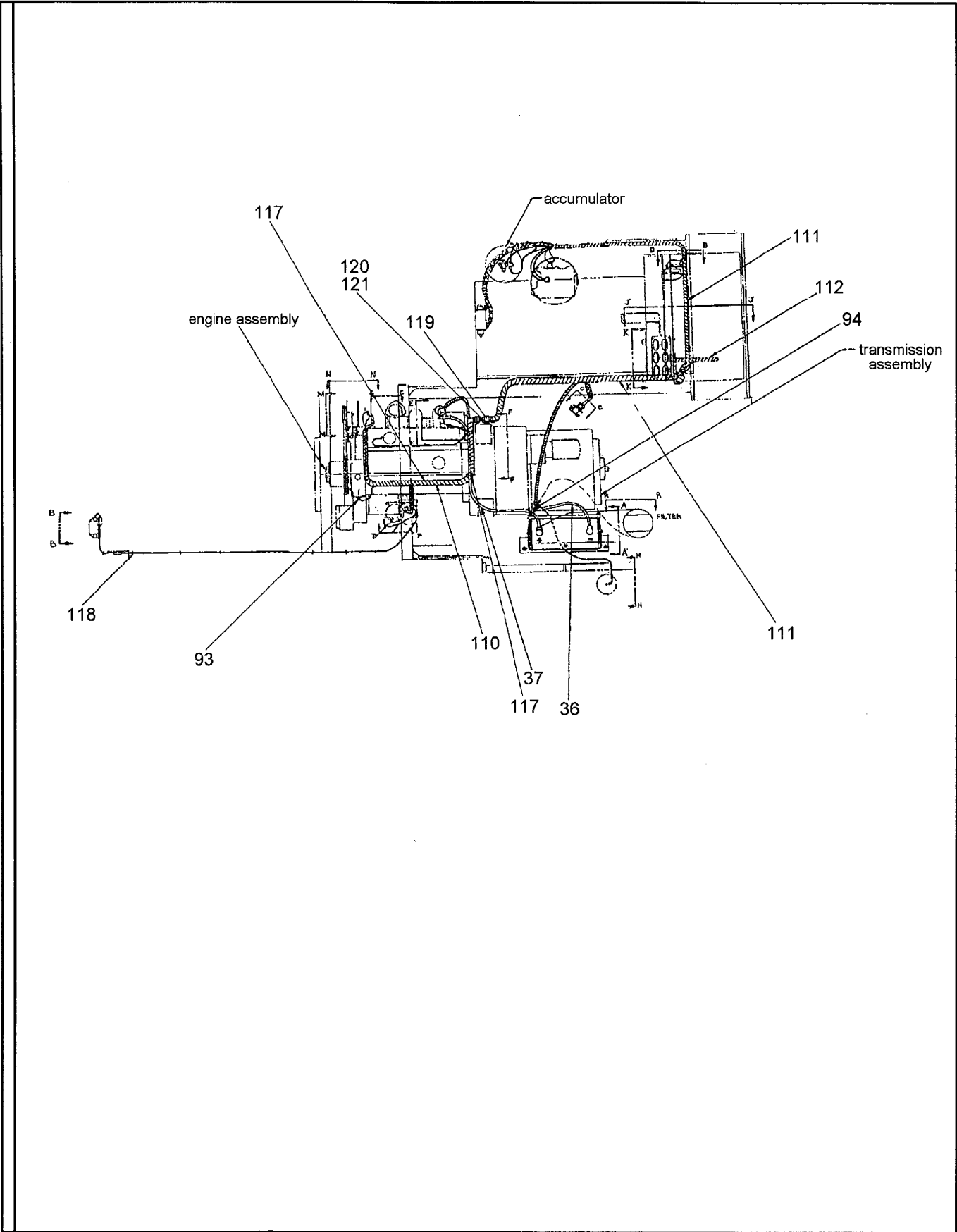


VR-90B

TRANSMISSION PLUMBING (PRIOR TO S/N 149089)

ITEM	COMM. NO.	DESCRIPTION	QTY	DIMENSIONS/NOTES
		<small>BOM 59493585</small>		
1	59463703	Flange Head Cap Screw	4	
2	95666996	Plug	1	
3	59496091	Hose Assembly 6 ORS Str. SW x 6 ORS Str. SW	1	27.5"
4	59496117	Hose Assembly 6 ORS Str. SW x 6 ORS Str. SW	2	30.5"
5	59496083	Hose Assembly 6 ORS Str. SW x 6 ORS Str. SW	2	33"
6	59496125	Hose Assembly 8 ORS Str. SW x 8 ORS Str. SW	1	32"
7	59496109	Hose Assembly 8 ORS Str. SW x 8 ORS Str. SW	1	33"
8	95846051	Strap Clamp	1	
9	59922260	45° Adapter (8 ORS x 8 ORB)	1	
10	59903138	Str. Adapter (8 ORS x 8 NPTF)	1	
11	59923599	45° Adapter (8 ORS x 8 NPTF)	1	
12	59918441	45° Adapter (6 ORS x 6 ORB)	5	
13	59922492	Str. Adapter (8 ORS x 8 ORB)	1	
14	59919670	Str. Adapter (6 ORS x 6 ORB)	5	
15	95287629	Adapter	1	
16	95257333	Nut, Tube Cap	1	1/4

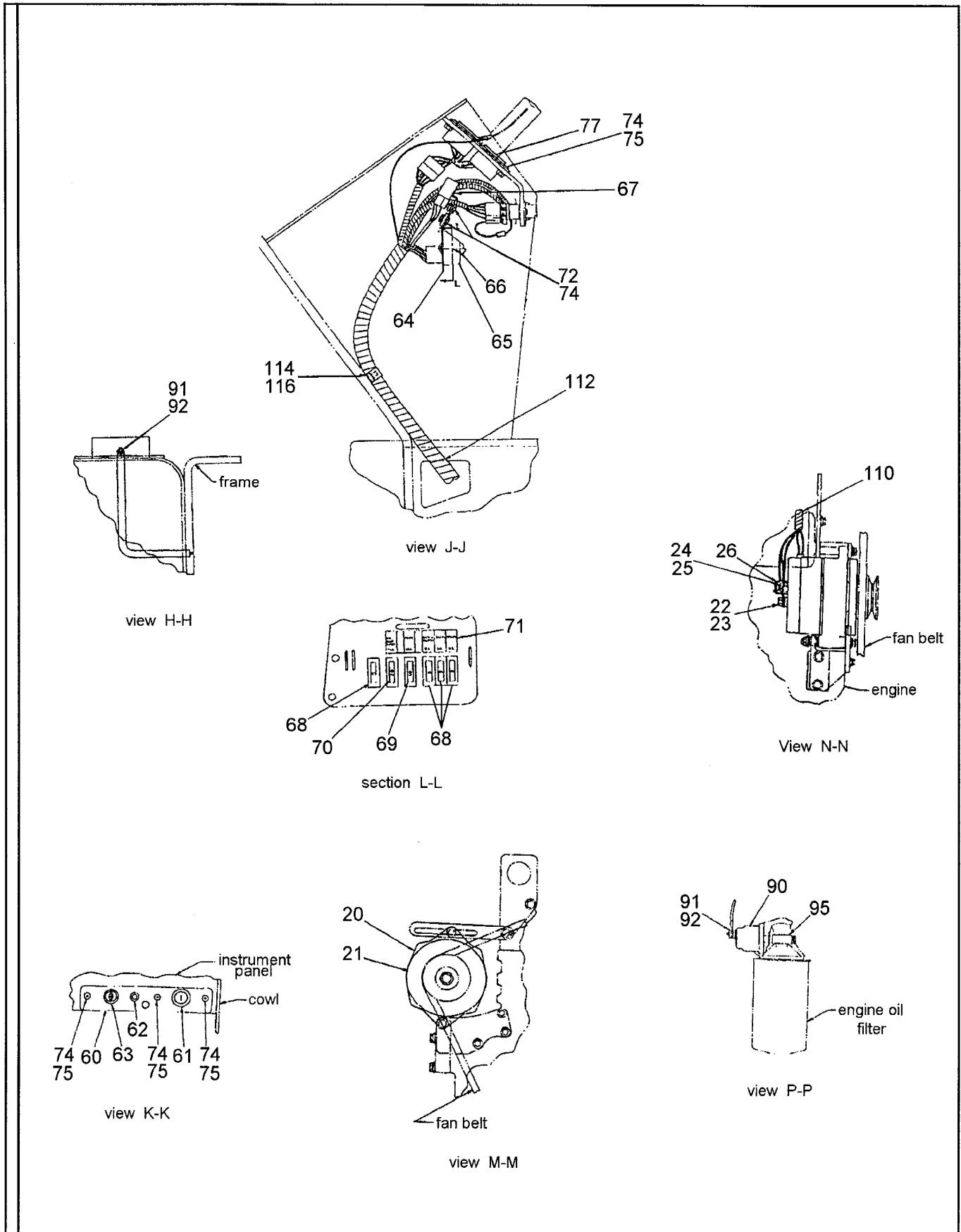
ELECTRICAL ASSEMBLY - SHEET 1 OF 3





ELECTRICAL ASSEMBLY - SHEET 1 OF 3

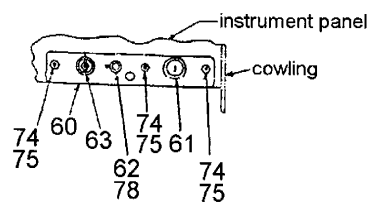
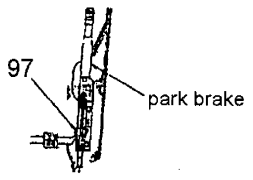
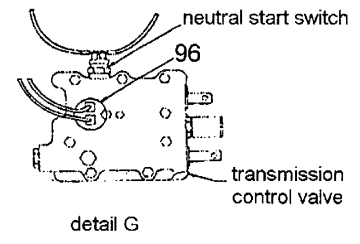
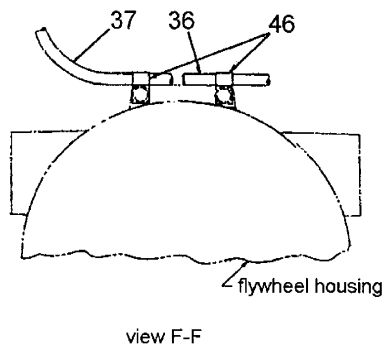
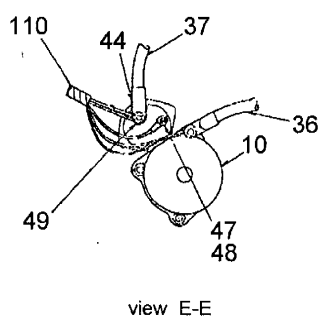
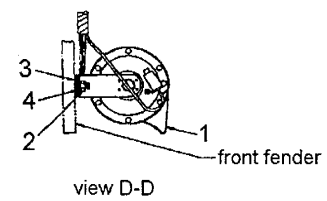
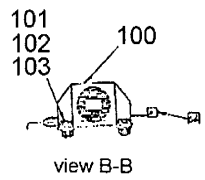
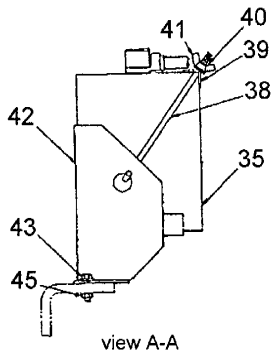
ITEM	COMM.NO.	DESCRIPTION	QTY	DIMENSIONS/NOTES
		BOM59494120		
36	59087205	Cable Battery-Negative	1	
37	59087213	Cable Battery-Positive	1	
93	59602987	Sender	1	
94	59816322	Temperature Sender	1	
110	59093815	Wire Harness-Engine (Effective with S/N 149089)	1	
-	58972928	Wire Harness-Engine (S/N 140076 thru 149089)	1	
-	59456699	Wire Harness-Engine (Prior to S/N 140076)	1	
111	59096537	Wire Harness-Chassis(Effective with S/N 149089)	1	
-	58827577	Wire Harness-Chassis (S/N 5240 thru 149089)	1	
-	59494377	Wire Harness-Chassis (Prior to S/N 5240)	1	
112	59096529	Wire Harness-Instrument Panel (Effective with S/N 149089)	1	
-	58827569	Wire Harness-Instrument Panel (S/N 5240 thru 149089)	1	
-	59494385	Wire Harness-Instrument Panel (Prior to S/N 5240)	1	
117	95424586	Tyrap	22	
118	95713798	Strap	10	
119	59726075	Clamp (Effective with S/N 149089)	1	
120	59973511	H.H.C.S. (Effective with S/N 149089)	1	
121	96702535	Washer, Flat, Hardened (Effective with S/N 149089)	1	M12



ELECTRICAL ASSEMBLY - SHEET 2 OF 3

ITEM	COMM.NO.	DESCRIPTION	QTY	DIMENSIONS/NOTES
20	58965492	Alternator	1	
-	59041806	-Brush Kit	1	
21	59879791	Fan Generator (effective with S/N 150297)	1	
-	59454652	Alternator Fan (Prior to S/N 150297)	1	
22	96702824	H.H.C.S.	1	M8 x 20
23	95931408	Washer, Lock	1	5/16 Reg.Lock Washer
24	96704234	Nut	1	M6 x 1mm
25	95922753	Washer, Lock (Internal Tooth)	1	1/4
26	59465286	Boot Protect	1	
60	58846890	Switch Plate (Effective with S/N 5240)	1	
-	59452938	Switch Plate (Prior to S/N 5240)	1	
61	59450791	Ignition Switch	1	
-	59435990	-Ignition Key	1	
62	59680132	Toggle Switch (Effective with S/N 5240)	1	
-	59876201	HeadPlug (Prior to S/N 5240)		
63	59455949	Switch	1	
64	59472191	Fuse Bracket	1	
65	59465856	Cover, Fuses	1	
66	59465864	Latch Cover	1	
67	59450775	Horn Relay	1	
68	59465591	Fuse	4	5 Amp
69	59325712	Fuse	1	10 Amp
70	59398016	Fuse	1	20 Amp
71	59456798	Decal, Fuses	1	
72	59965962	Bolt, Lock	4	1/4-20 x.75 Whiz Bolt
74	59941682	Whiz Nut	10	1/4-20 Whiz Nut
75	95888996	H.S.B.H.S.	9	1/4-20 x1
77	<b>N.SV.A.</b>	<b>Gauge Panel Assembly</b>	<b>1</b>	<b>See Section E.2</b>
110	59093815	Wire Harness-Engine (Effective with S/N 149089)	1	
-	58972928	Wire Harness-Engine (S/N 140076 thru 149089)	1	
-	59456699	Wire Harness-Engine (Prior to S/N 140076)	1	
112	59096529	Wire Harness-Instrument Panel (Effective with S/N 149089)	1	
-	58827569	Wire Harness-Instrument Panel (S/N 5240 thru 149089)	1	
-	59494385	Wire Harness-Instrument Panel (Prior to S/N 5240)	1	
114	59918573	Nut, Lock	1	5/16-18
116	95310231	Clamp	1	

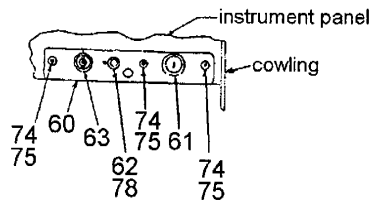
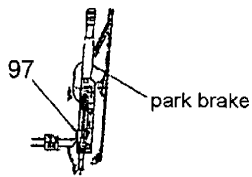
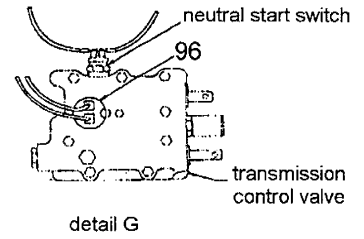
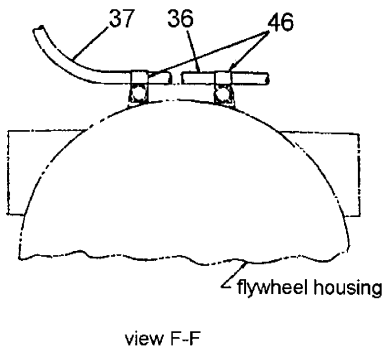
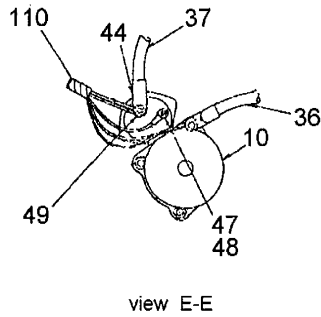
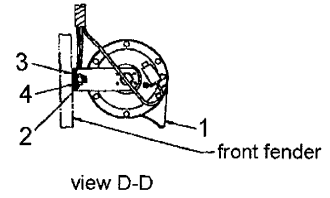
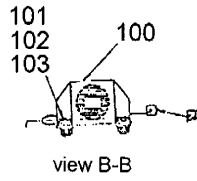
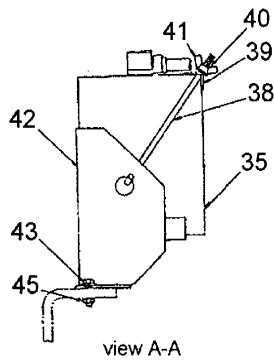
ELECTRICAL ASSEMBLY - SHEET 3 OF 3



## ELECTRICAL ASSEMBLY - SHEET 3 OF 3

ITEM	COMM.NO.	DESCRIPTION	QTY	DIMENSIONS/NOTES
1	59455956	Horn	1	
2	59327833	Nut	1	5/16-18
3	95922365	Washer, Flat	1	5/16 Dia.
4	95931408	Washer, Lock	4	5/16
10	59457267	Starter Motor	1	
-	58783294	-Brush Holder	4	
-	58762600	-Ground Brush	2	
-	58762618	-Insuated Brush	2	
-	58762626	-Brush Spring	4	
-	58875196	-Solenoid	1	
35	59436931	Battery	1	
36	59087205	Cable Battery-Negative	1	
37	59087213	Cable Battery-Positive	1	
38	59456731	J-Bolt	2	
39	59452904	Battery Hold Down	1	
40	95922837	Wing Nut	2	5/16-18
41	95922365	Washer, Flat	2	5/16 Dia.
42	59452912	Battery Box	1	
43	59463711	H.H.C.S.	3	1/8
44	59396317	Term.Cover	1	
45	59807941	Nut, Lock	3	3/8-16
46	59726075	Clamp	2	
47	96705132	Nut	1	M5 x .08
48	95248084	Washer, Lock	1	#10
49	96704812	Nut	1	
60	58846890	Switch Plate (Effective with S/N 5240)	1	
-	59452938	Switch Plate (Prior to S/N 5240)	1	
61	59450791	Ignition Switch	1	
-	59435990	-Ignition Key	1	
62	59680132	Toggle Switch (Effective with S/N 5240)	1	
-	59876201	HeadPlug (Prior to S/N 5240)		
63	59455949	Switch	1	
74	59941682	Whiz Nut	10	1/4-20 Whiz Nut
75	95888996	H.S.B.H.S.	9	1/4-20 x1
78	59331744	Switch Cover	1	
90	59638478	Sender Oil	1	
91	95923124	Hex Nut	2	#10-32
92	95248084	Washer, Lock	2	#10
95	95279915	Tee	1	

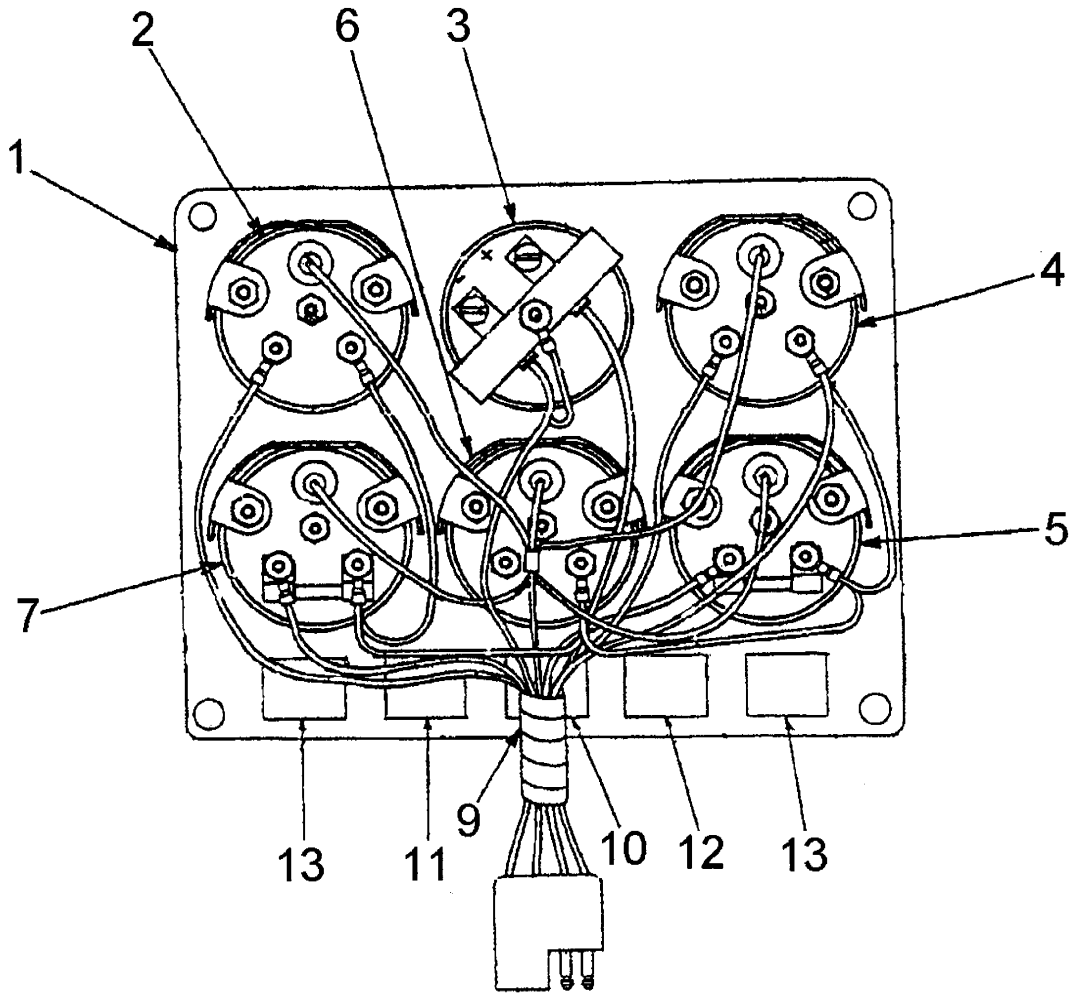
ELECTRICAL ASSEMBLY - SHEET 3 OF 3 - CONTINUED



## ELECTRICAL ASSEMBLY - SHEET 3 OF 3 - CONTINUED

ITEM	COMM.NO.	DESCRIPTION	QTY	DIMENSIONS/NOTES
96	59090886	Pressure Switch	1	
97	58850991	Switch Assembly (Effective with S/N 5249)	1	
100	59869917	Screw, Lock	1	5/16-18 x .75
101	59918573	Nut, lock	1	5/16-18
100	59465617	Alarm Assembly, Backup	1	
-	59455683	-Alarm Backup	1	
-	95373841	-Eyelet	1	
-	59366971	-Male Terminal	1	
-	59338517	-Male Housing	1	
101	59941682	Nut, Lock	2	1/4-20
102	95919767	H.H.C.S.	2	1/4-20 x .75
103	95922324	Washer, Flat	2	1/4 Dia.
110	59093815	Wire Harness-Engine (Effective with S/N 149089)	1	
-	58972928	Wire Harness-Engine (S/N 140076 thru 149089)	1	
-	59456699	Wire Harness-Engine (Prior to S/N 140076)	1	
		<i>NOTE: The following items are not illustrated:</i>		
79	59096479	Switch Plate	1	
80	59813279	Plug Button	2	
98	59068114	Harness, Jumper Wire	1	
99	59112003	Mounting Plate	1	

# GAUGE PANEL ASSEMBLY

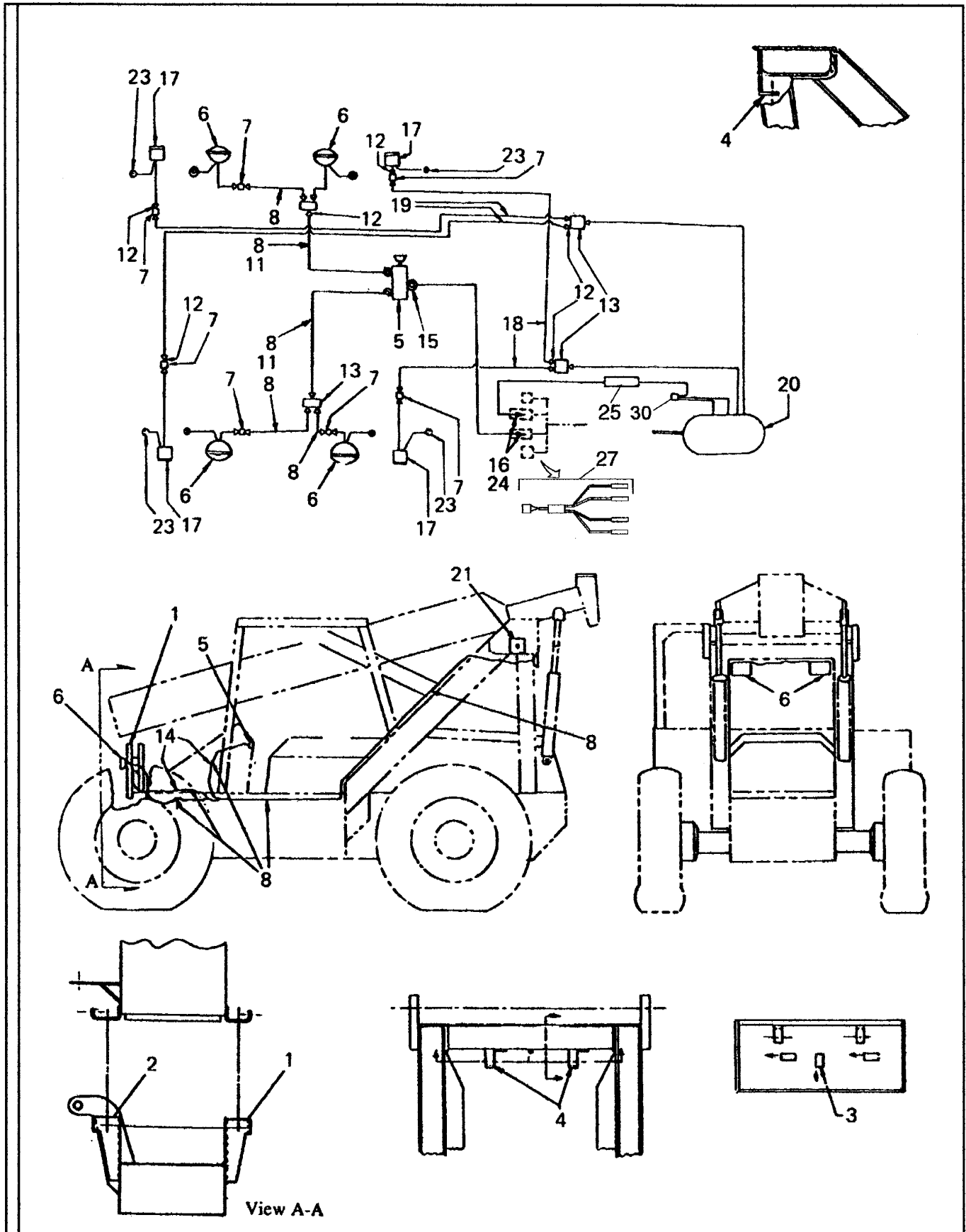




GAUGE PANEL ASSEMBLY

ITEM	COMM. NO.	DESCRIPTION	QTY	DIMENSIONS/NOTES
		<small>BOM 59494369</small>		
1	59494344	Gauge Mounting Plate	1	
2	59455303	Transmission Temperature Gauge	1	
3	59989558	Hourmeter Gauge	1	
4	59455493	Water Temperature Gauge	1	
5	59455469	Oil Pressure Gauge	1	
6	59816736	Voltmeter Gauge	1	
7	59731281	Fuel Gauge	1	
8	59465609	Bulb	5	
9	59456939	Gauge Panel Harness	1	
10	59492512	Park Brake Light	1	
11	58788894	Hydraulic Restrict Light	1	
12	59492538	Accumulated Pressure Light	1	
13	59417493	Blank Light	2	

# TURN SIGNAL AND HEADLIGHT ASSEMBLY



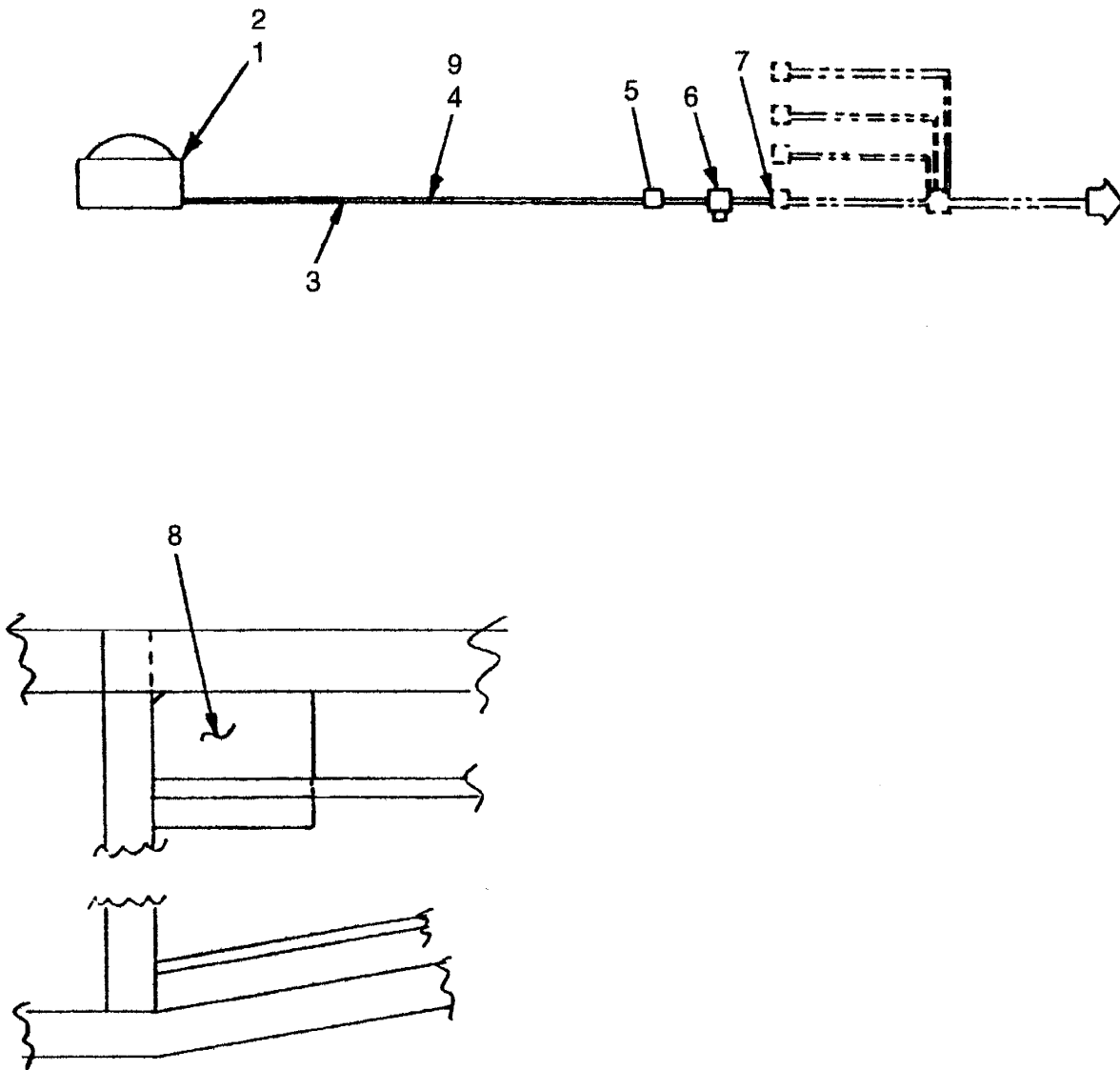
## TURN SIGNAL AND HEADLIGHT ASSEMBLY

ITEM	COMM. NO.	DESCRIPTION	QTY	DIMENSIONS/NOTES
		<small>BOM 59494492</small>		
1	59474460	Bracket	1	
2	59474478	Bracket	1	
3	59670554	Adhesive Mounting Block	6	
4	59494435	Bracket	2	
5	59303800	Switch	1	
6	59494450	Light	4	12V
-	57282063	-Replacement Lamp	1	50W
7	95373882	Splicer Butt	5	
11	95424586	Tyrap	20	
12	51052389	Connector	4	
13	59759712	Flasher Plug	1	
17	59494617	Signal Light	4	
-	00267468	-Amber Light	1	
-	58889007	-Red Lens	1	
-	N.S.S.	-Bulb (1156)	1	
-	58889015	-Wire Assembly	1	
18	59474049	Fuse Holder	1	
19	59366971	Terminal	1	
20	58883703	Switch	1	
21	59474445	Channel	2	
22	59338517	Male Housing	1	
27	59759720	Wire Assembly - Optional	1	
30	58961582	Flasher	1	

VR-90B

E.3.3

# DOME LIGHT ASSEMBLY - OPTIONAL



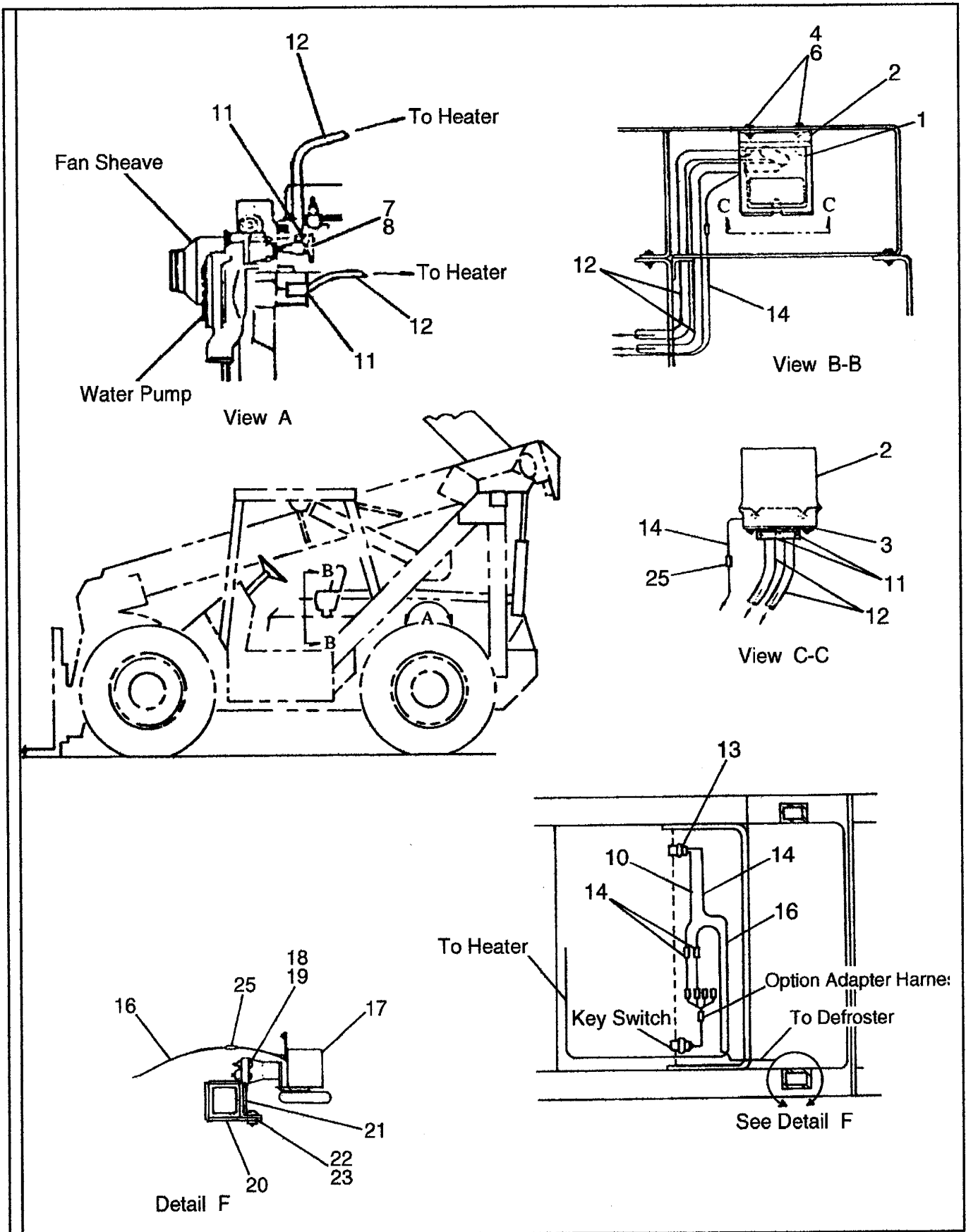
**DOME LIGHT ASSEMBLY - OPTIONAL**

<b>ITEM</b>	<b>COMM. NO.</b>	<b>DESCRIPTION</b>	<b>QTY</b>	<b>DIMENSIONS/NOTES</b>
		<small>BOM 59494716</small>		
1	59494724	Dome Light	1	
2	95074175	Hex Head Type F Screw	3	No.6-32 x .250
3	59494740	Wire	AR	
4	59670554	Mounting Adhesive	5	
5	59473660	Butt Splice	1	
6	59474049	Fuse Holder	1	
7	59494690	Bullet Terminal	1	
8	59494732	Plate	1	
9	95373973	Cable	5	

VR-90B

E.4.3

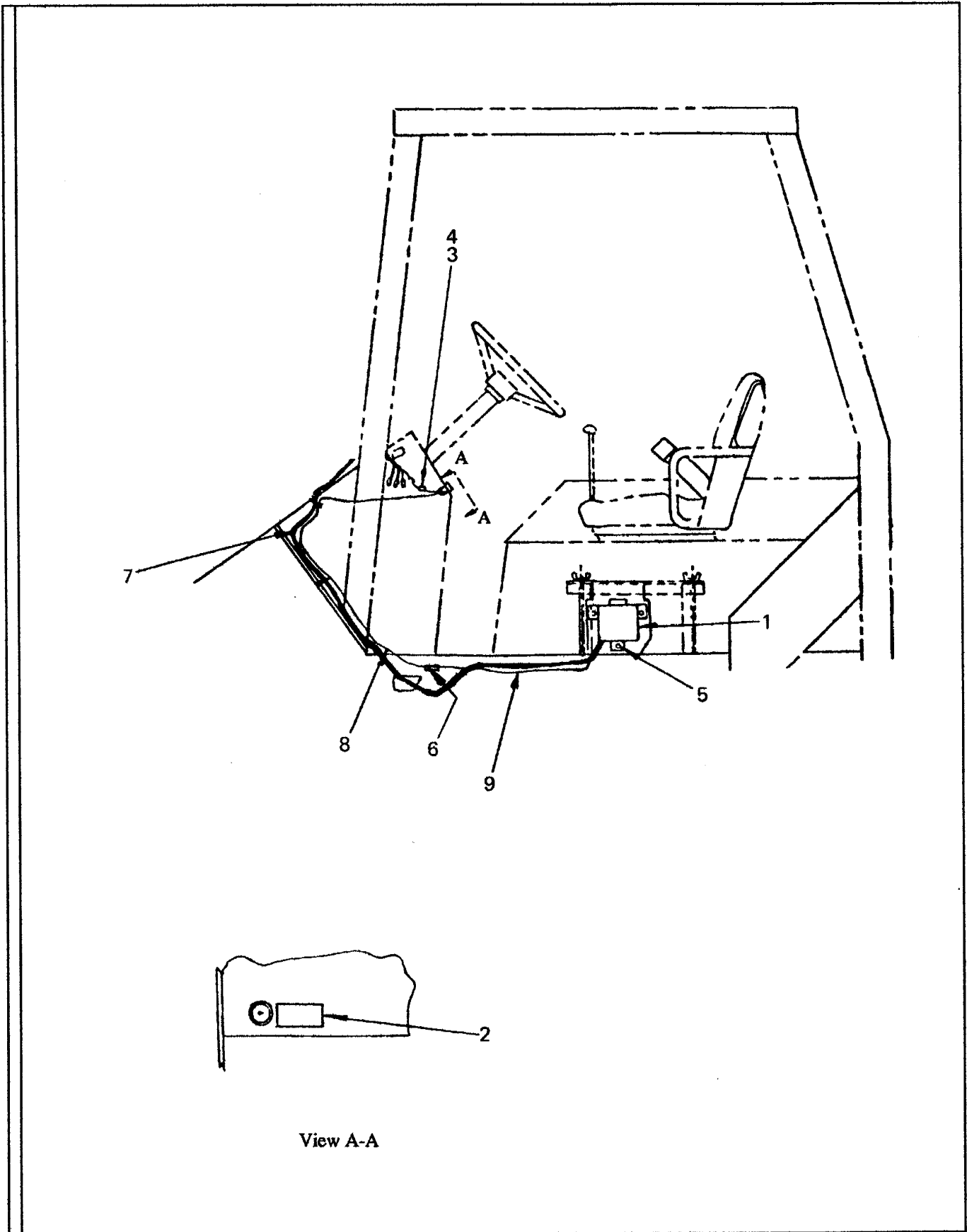
# HEATER/DEFROSTER - OPTIONAL



**HEATER/DEFROSTER - OPTIONAL**

<b>ITEM</b>	<b>COMM. NO.</b>	<b>DESCRIPTION</b>	<b>QTY</b>	<b>DIMENSIONS/NOTES</b>
		<small>DWG. 59473587</small>		
-	58808221	Heater Assembly	1	
1	58884446	-Heater	1	
-	58875923	-Fan Assembly	1	
-	58875931	-12V Motor	1	
-	58875949	-Heater Core	1	
2	59473595	-Heater Bracket	1	
3	59918573	-Nut	3	
4	59807941	-Lock Nut	2	
5	59474130	-Button Plug	2	
6	59680983	-Bolt	2	
7	59392795	-Valve	1	
8	59924241	-Adapter (Special)	1	
9	59465518	-Adapter (Special)	1	
10	59096503	-Wire Harness	1	
11	95090106	-Clamp	4	
12	59473637	-Hose	2	
13	59474031	-Heater Switch	1	
14	58884438	-Wire Harness	1	
15	59473652	-Electrical Terminal	1	
-	58808239	Defroster Assembly	1	
16	58808254	-Wire Assembly	1	
<b>17</b>	<b>59474106</b>	<b>-Defroster Fan</b>	<b>1</b>	<b>See Breakdown-E.6</b>
18	59456202	-Machine Screw	4	
19	59397042	-Lock Nut	4	
20	59473710	-Bracket	1	
21	59473728	-Bracket	1	
22	59965962	-Bolt	2	
23	59941682	-Nut	2	
24	59325712	-Fuse	1	10 AMP
25	59473652	-Electrical Terminal	1	
26	59494641	-Conduit	A/R	0.375 I.D.

WINDSHIELD WASHER - OPTIONAL



View A-A

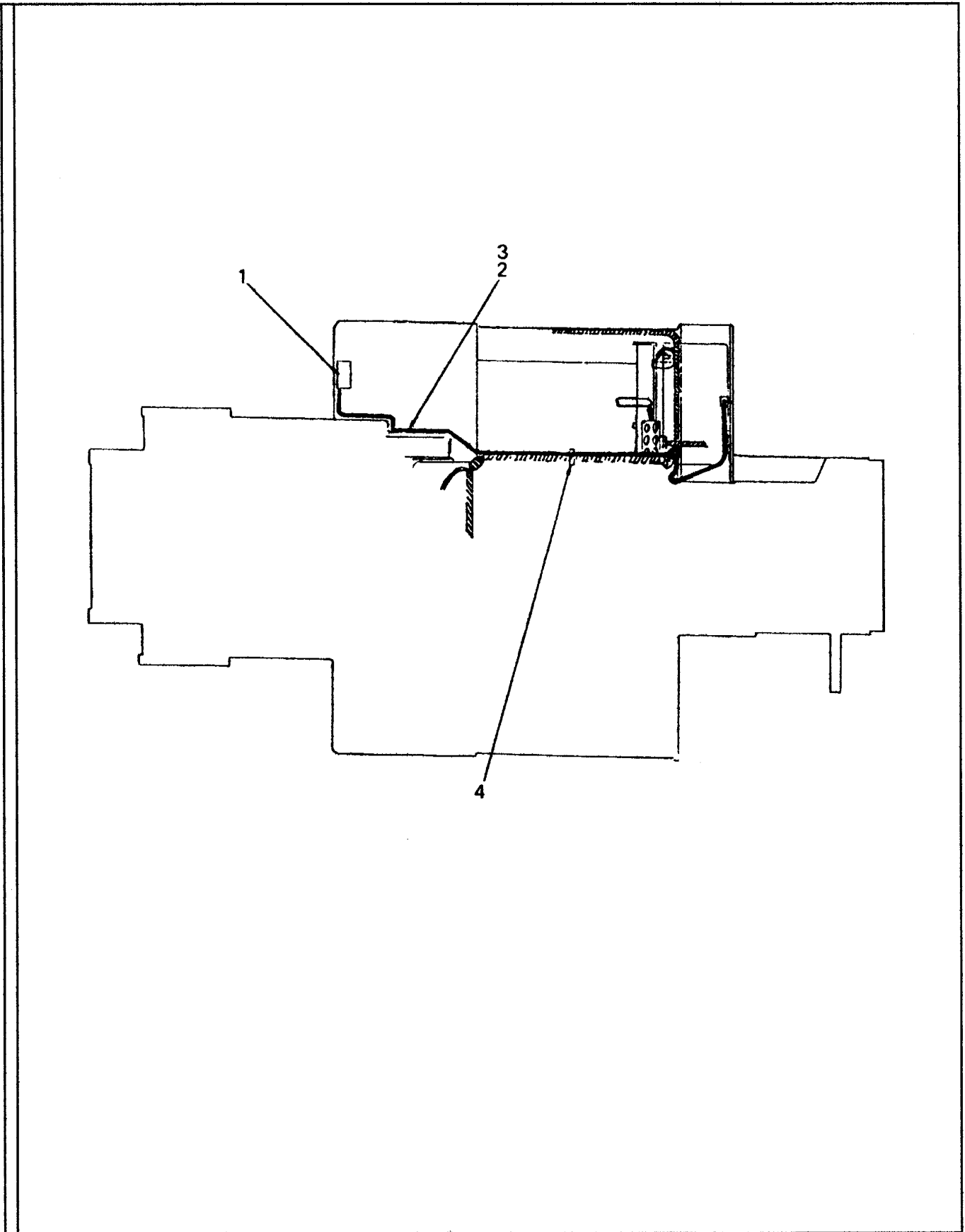
VR-90B



**WINDSHIELD WASHER - OPTIONAL**

<b>ITEM</b>	<b>COMM. NO.</b>	<b>DESCRIPTION</b>	<b>QTY</b>	<b>DIMENSIONS/NOTES</b>
		<small>BOM 59494815</small>		
1	59494773	Washer Assembly	1	
-	58875501	-Pump Motor	1	
2	59494765	Winshield Washer Decal	1	
3	59474049	Fuse Holder	1	
4	59465591	Fuse	1	5 Amp
5	59941682	Lock Nut	3	1/4 - 20
6	59473660	Butt Splice	1	
7	59494922	Hose	1	84 lg.
8	59473678	Cable	1	16 Ga. x 60 lg.
9	59494666	Conduit	A/R	0.350

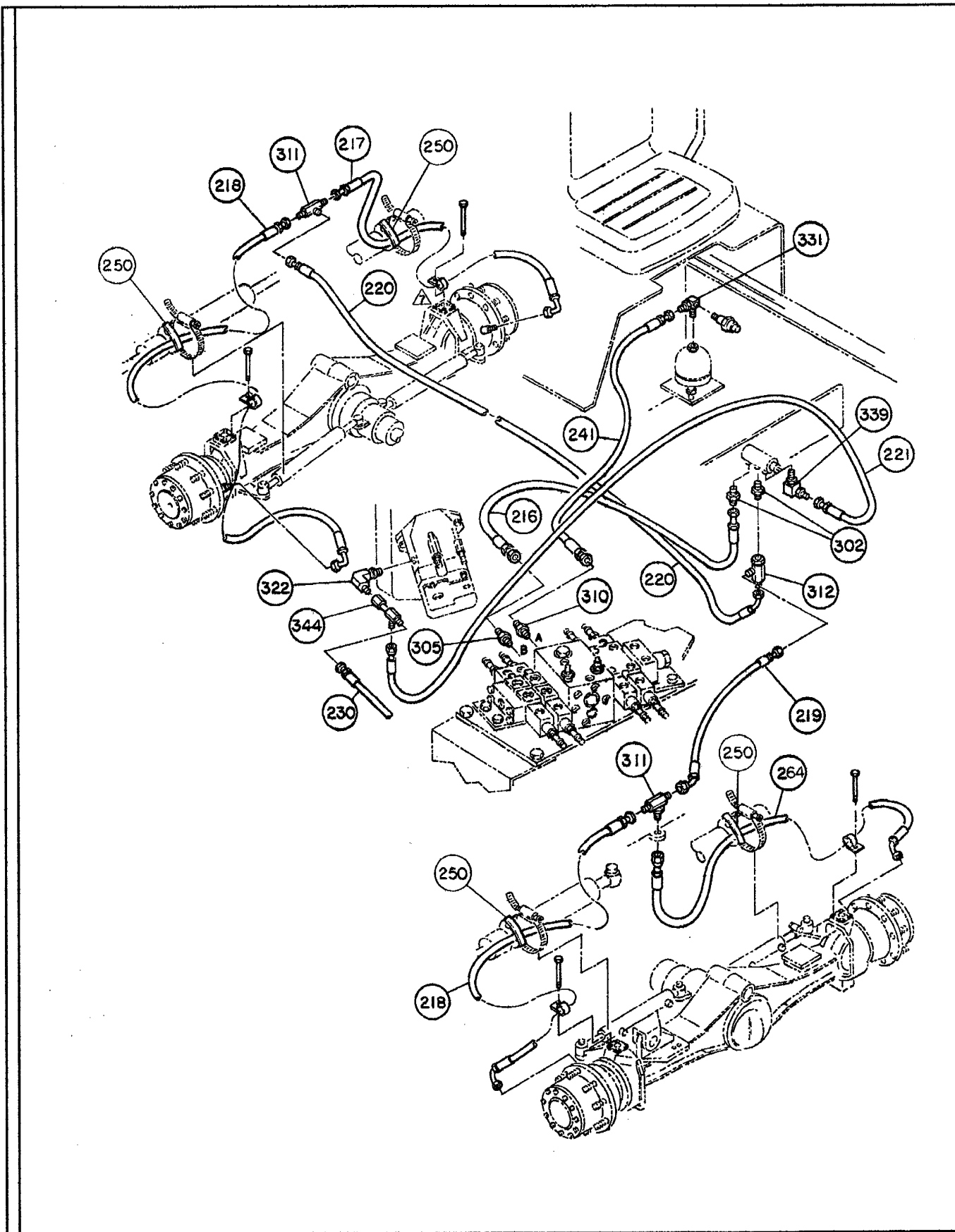
# REAR WIPER ASSEMBLY



**REAR WIPER ASSEMBLY**

<b>ITEM</b>	<b>COMM. NO.</b>	<b>DESCRIPTION</b>	<b>QTY</b>	<b>DIMENSIONS/NOTES</b>
		<small>BOM 59474080</small>		
1	59474056	Wiper Assembly	1	
-	58889239	-Motor	3	
-	58875402	-Blade	3	
-	58875410	-Arm	3	
-	58875428	-Washer	3	
-	58875436	-Washer	1	
-	N.S.S.	-Screw	1	
-	N.S.S.	-Washer	1	
-	N.S.S.	-Lock Nut	1	
2	59474064	Wire Assembly	1	
3	59494674	Conduit	1	
4	95713798	Strap	5	

HYDRAULIC HOSES AND ADAPTERS-SHEET 1 OF 5

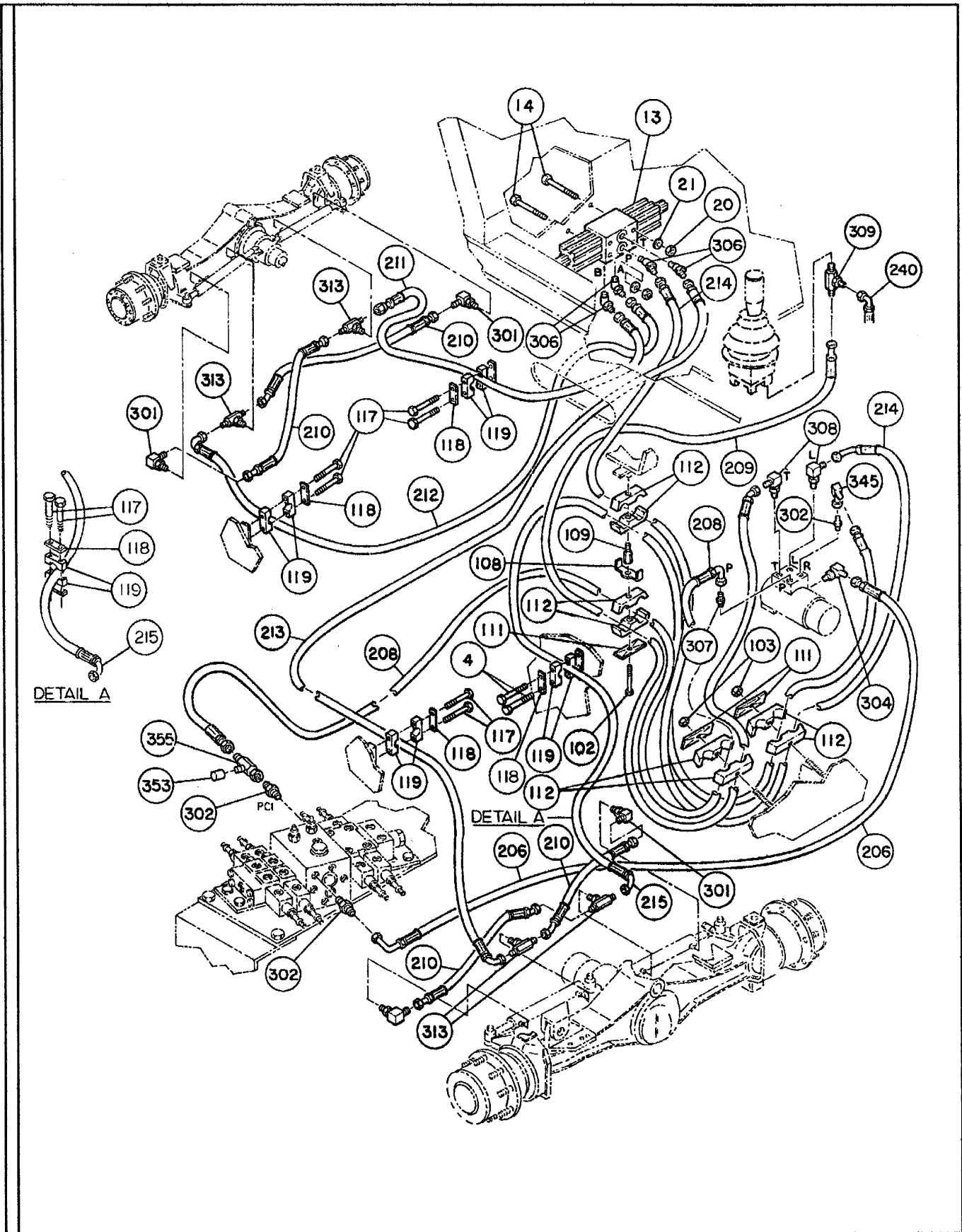


VR-90B

HYDRAULIC HOSES AND ADAPTERS - SHEET 1 OF 5

ITEM	COMM.NO.	DESCRIPTION	QTY	DIMENSIONS/NOTES
		DWG. 59494138-4		
-		Brake Hoses And Adapters	1	
216	59090118	Hose Assembly 4ORS 45° SW x 6ORS Str. SW	1	43"
218	59092239	Hose Assembly 4JIC 90° SW x 4ORS Str. SW	2	52.5"
219	59090043	Hose Assembly 4ORS 45° SW x 6ORS Str. SW	1	69"
220	59090035	Hose Assembly 4ORS Str. x 6ORS 45°	1	58"
221	58770165	Hose Assembly 8ORS 90° x 8ORB Str.	1	87"
241	59493122	Hose Assembly 6ORS Str. x 6ORS Str.	1	63"
250	59094110	Hose Guard	4	
264	58827817	Hose Assembly 4ORS Str. x 4JIC 90°	2	48"
302	59918649	Adapter, Straight (Effective with S/N146392)	2	
-	59918649	Adapter, Straight (Prior to S/N 146392)	2	
311	59434761	Tee	2	
312	59918540	Adapter Tee	1	
331	59492595	Adapter	1	
339	59922898	90° Adapter	1	
344	59923797	Tee	1	
-	95426359	Clamp, Brake Hose (Not Shown)	2	
-	95487959	Adapter (Brake Hose to Axle)(Not Shown)	4	

HYDRAULIC HOSES AND ADAPTERS - SHEET 2 OF 5  
EFFECTIVE WITH S/N: 5240



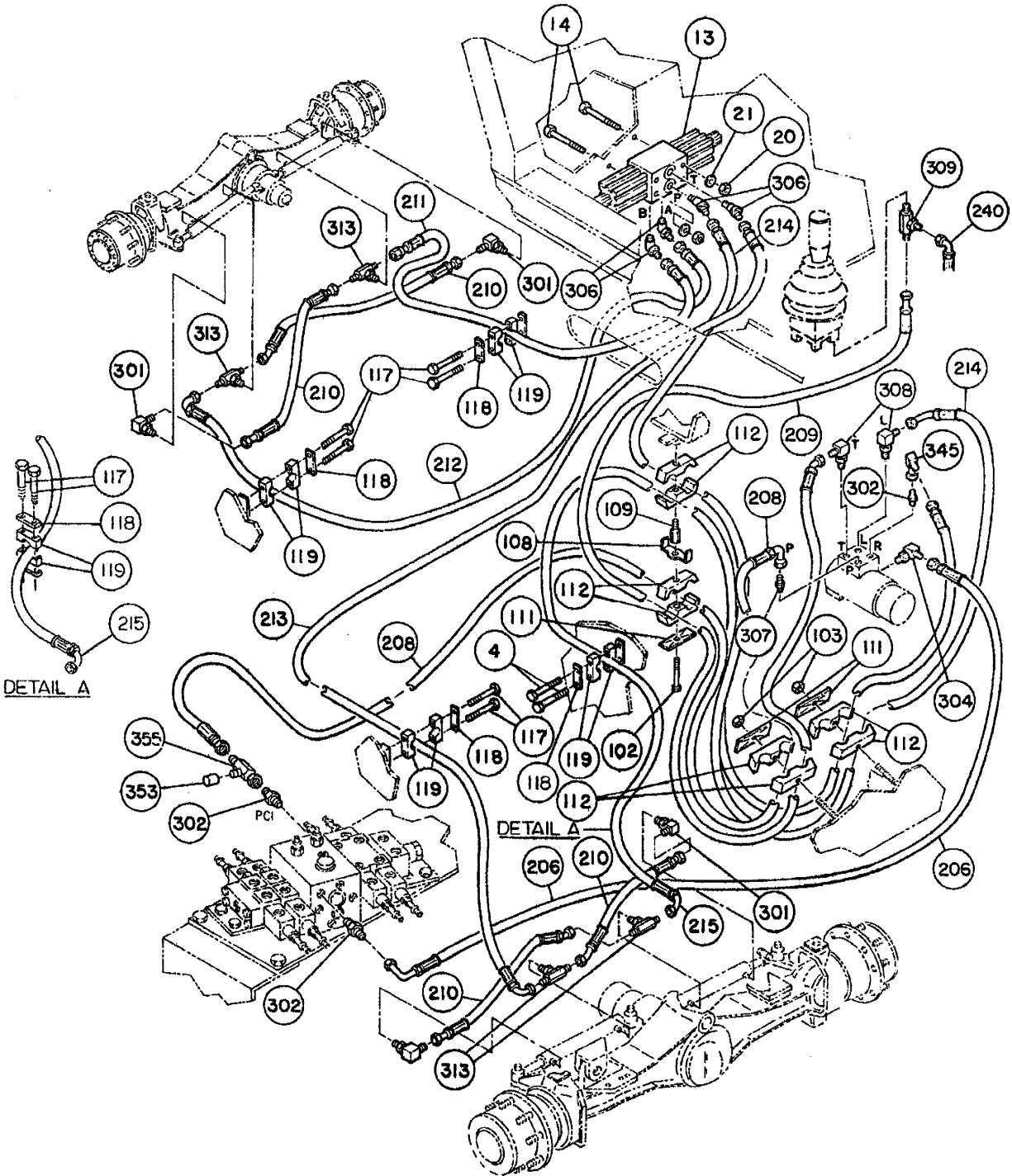
VR-90B

**HYDRAULIC HOSES AND ADAPTERS-SHEET 2 OF 5**  
**EFFECTIVE WITH S/N: 5240**

ITEM	COMM.NO.	DESCRIPTION	QTY	DIMENSIONS/NOTES
		<small>DWG. 59494138-4</small>		
-		Steering System With Hoses And Adapters	1	
13	58827544	Steering Selector Valve	1	See Breakdown I.16
14	95919478	H.H.C.S.	2	1/4 - 20 x 3.50
20	95923298	Lock Nut	2	1/4 - 20
21	95922324	Flat Washer	2	1/4
30	59990069	O-Ring (Effective with S/N 150477)	1	
102	95920542	H.H.C.S.	1	5/16 - 18 x 2.0
103	59918573	Lock Nut	1	5/16 - 18
108	59583492	Safety Washer	1	
109	59583484	Stacking Bolt	1	
111	59583500	Cover Plate	3	
112	59587014	Insert Clamp	8	
117	95920641	H.H.C.S.	10	1/4 - 20 x 1.375
118	59587816	Cover Plate	5	
119	59680413	Clamp Insert	10	
206	58827692	Hose 4 ORS Str. x 4 ORS Str.	1	83.0
208	59495515	Hose 6 ORS 90° x 6 ORS Str.	1	101.0
209	58851452	Hose 6 ORS 45° x 6 ORS 45°	1	97.0
210	59417782	Hose 6 ORS 45° x 6 ORS Str.	4	30.0
211	59417790	Hose 6 ORS 90° x 6 ORS Str.	1	58.0
212	59495564	Hose 6 ORS 90° x 6 ORS Str.	1	115.0
213	59495564	Hose 6 ORS 90° x 6 ORS Str.	1	89.50
214	58827551	Hose 6 ORS 45° x 6 ORS Str.	1	68.0
215	59495580	Hose 6 ORS 90° x 6 ORS Str.	1	126.0
240	58851411	Hose 6 ORS 90° x 6 ORS Str.	1	47.50
301	59922864	Adapter 90°	4	
302	59918649	Adapter, Straight (Effective with S/N146392)	2	
-	59918649	Adapter, Straight (Prior to S/N 146392)	2	
304	59922807	Adapter 90° (Effective With S/N 141714)	1	
-	59922807	Adapter 90° (Prior To S/N 141714)	1	
306	59922245	Adapter 45°	4	
307	59493924	Check Valve (Effective With S/N 146392)	1	
-	59001388	Check Valve (S/N 141714 thru 146392)	1	
-	59493924	Check Valve (Prior To S/N 141714)	1	
308	59921031	Adapter Tee (Effective With S/N 146392)	2	
-	59918532	Adapter Tee (S/N 141714 thru 146392)	2	
-	59921031	Adapter Tee (Prior To S/N 141714)	2	
309	59918532	Adapter Tee	1	
312	59918540	Adapter Tee	1	
313	59918581	Adapter Tee	4	

Continued  
VR-90B

HYDRAULIC HOSES AND ADAPTERS-SHEET 2 OF 5  
EFFECTIVE WITH S/N: 5240



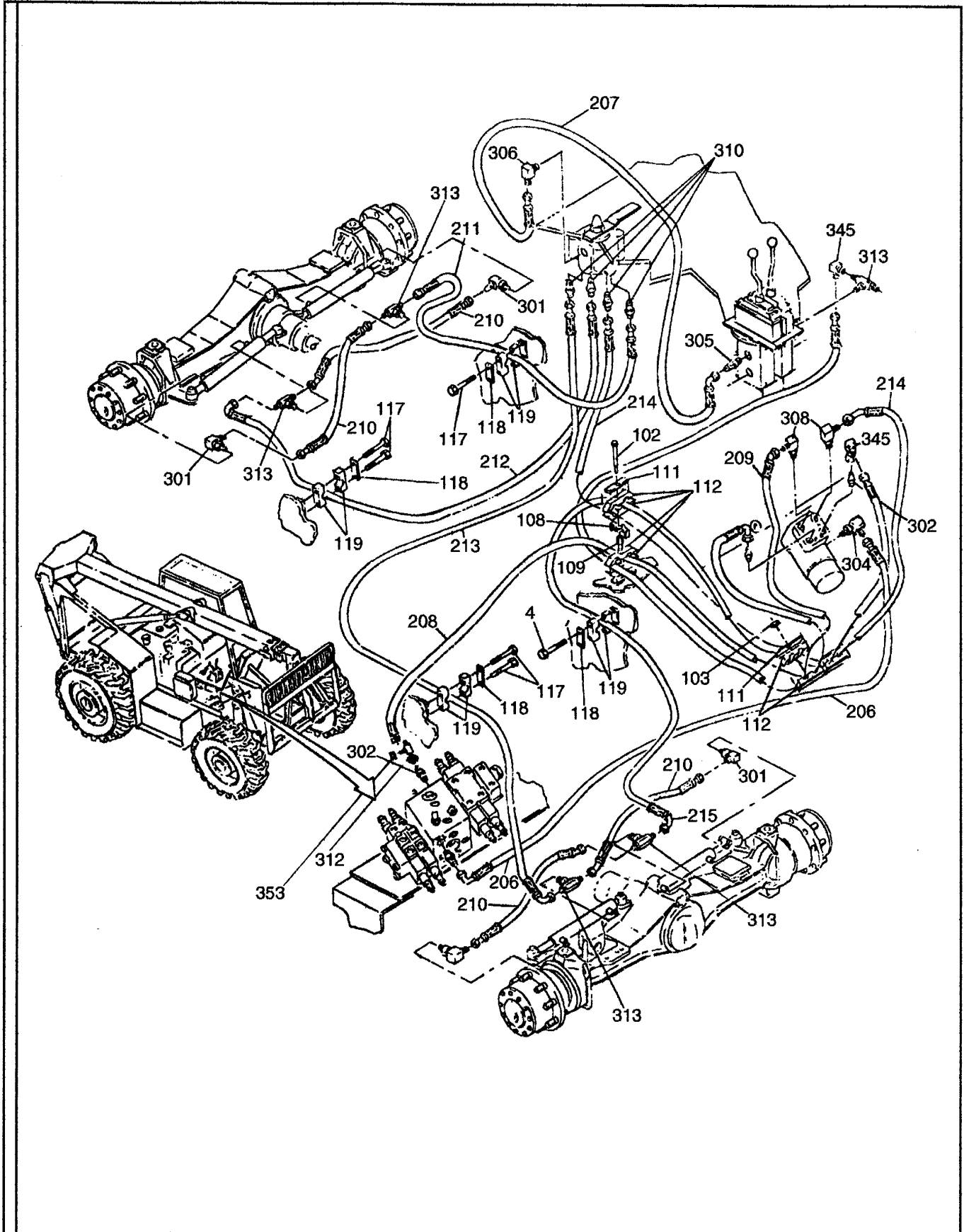
VR-90B



**HYDRAULIC HOSES AND ADAPTERS-SHEET 2 OF 5**  
**EFFECTIVE WITH S/N: 5240**

ITEM	COMM.NO.	DESCRIPTION	QTY	DIMENSIONS/NOTES
345	59921056	Adapter (Effective With S/N 146392)	1	
-	59922864	Adapter 90°(S/N 141714 thru 146392)	1	
-	59921056	Adapter (Prior To S/N 141714)	1	
353	59918615	Adapter (Effective With S/N 5355)	1	
-	59924050	Cap (Prior To S/N 5355)	1	
355	59918615	Adapter (Effective With S/N 147862)	1	
-	59924043	Cap (S/N 5355 thru 147862)	1	
-	58850918	Orifice (Prior To S/N 5355)	1	

HYDRAULIC HOSES AND ADAPTERS-SHEET 2 OF 5  
PRIOR TO S/N: 5240



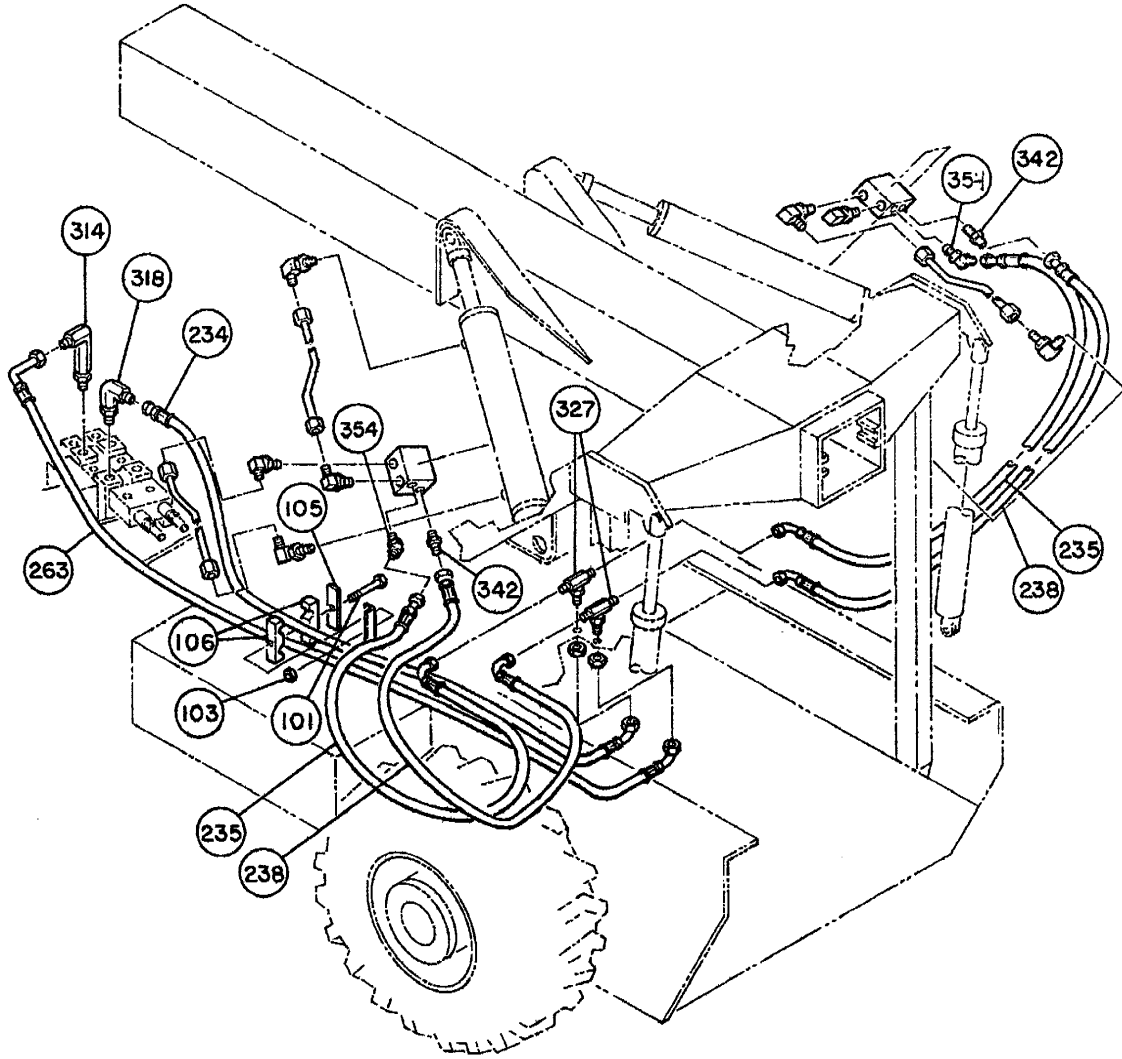
VR-90B

HYDRAULIC HOSES AND ADAPTERS-SHEET 2 OF 5

PRIOR TO S/N: 5240

ITEM	COMM.NO.	DESCRIPTION	QTY	DIMENSIONS/NOTES
		DWG. 59494138-4		
-		Steering System With Hoses And Adapters	1	
102	95920534	Hex Head Bolt	1	
103	59327833	Hex Nut	3	
108	59583492	Washer	1	
109	59583484	Bolt	1	
111	59583500	Cover Plate	3	
112	59587014	Insert Clamp	8	
117	95920641	Cap Screw	8	
118	59587816	Cover Plate	4	
119	59680413	Clamp Insert	8	
206	58827692	Hose Assembly 4 ORS Str. x 4 ORS Str.	1	83.0
207	59495507	Hose Assembly 4 ORS Str. x 4 ORS 90°	1	17.50
208	59495515	Hose Assembly 6 ORS 90° x 6 ORS Str.	1	101.0
209	59495523	Hose Assembly 6 ORS 45° x 6 ORS Str.	1	92.0
210	59417782	Hose Assembly 6 ORS 45° x 6 ORS Str.	4	30.0
211	59417790	Hose Assembly 6 ORS 90° x 6 ORS Str.	1	58.0
212	59493114	Hose Assembly 6 ORS 90° x 6 ORS Str.	1	105.0
213	59495564	Hose Assembly 6 ORS 90° x 6 ORS Str.	1	89.50
214	59495572	Hose Assembly 6 ORS 45° x 6 ORS Str.	1	89.0
215	59495580	Hose Assembly 6ORS 90° x 6ORS Str.	1	126.0
301	59922864	90° Adapter	4	
302	59918649	Adapter, Straight (Effective with S/N146392)	2	
-	59918649	Adapter, Straight (Prior to S/N 146392)	2	
304	59922807	Adapter	1	
305	59929182	Adapter	1	
306	59923318	90° Adapter	1	
308	59921031	Adapter	2	
310	59919670	Adapter	4	
312	59918540	Adapter Tee	1	
313	59918581	Adapter Tee	5	
345	59921056	Adapter	1	
353	59924050	Cap	1	

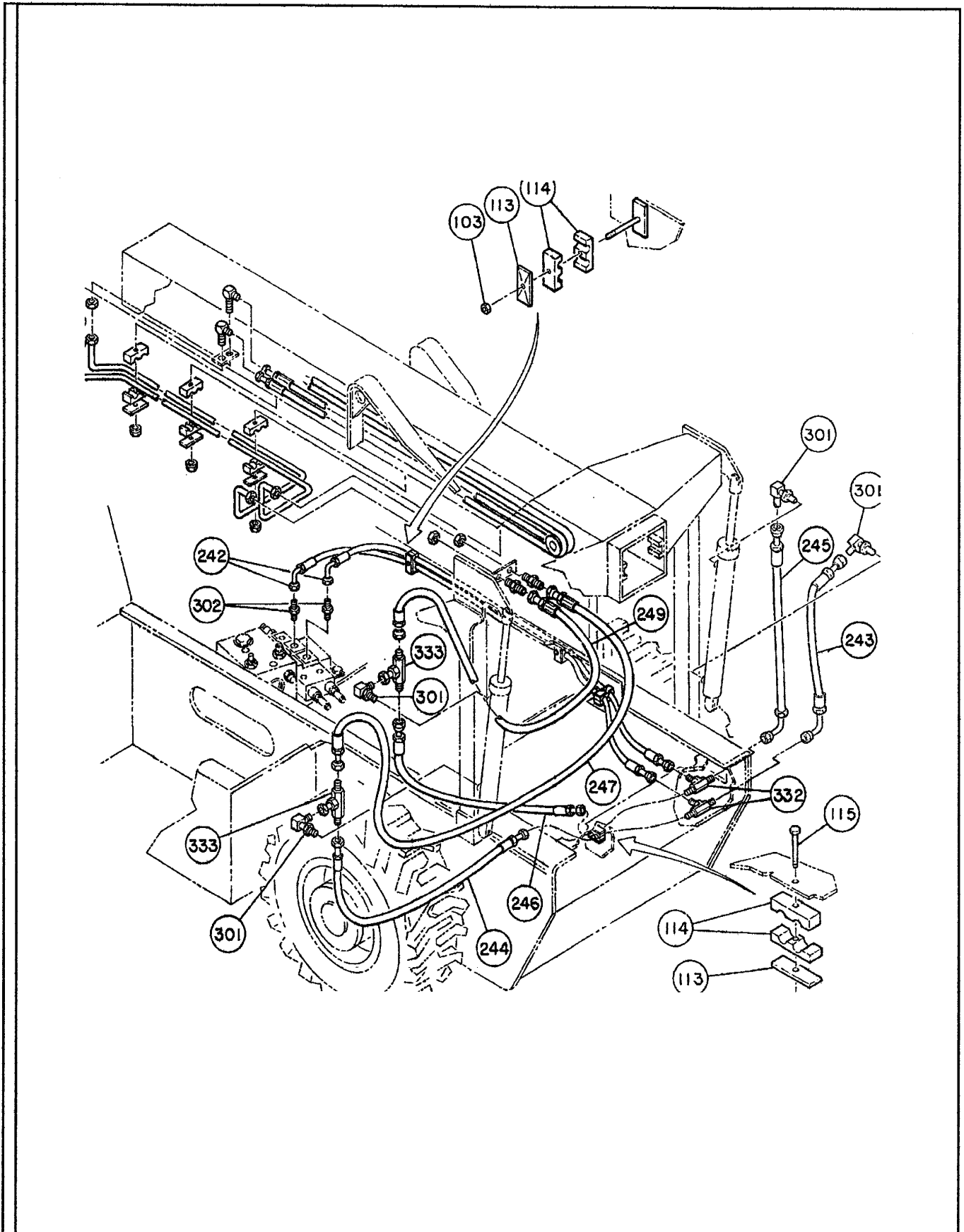
HYDRAULIC HOSES AND ADAPTERS-SHEET 3 OF 5



HYDRAULIC HOSES AND ADAPTERS-SHEET 3 OF 5

ITEM	COMM.NO.	DESCRIPTION	QTY	DIMENSIONS/NOTES
		DWG. 59494138-4		
-		Boom Cylinder Hoses And Adapters	1	
101	95920591	H.H.C.S.	1	5/16 - 18 x 3.75
103	59918573	Lock Nut	1	5/16 - 18
105	59656322	Cover Plate	1	
106	59656330	Insert Clamp	2	
234	59090092	Hose Assembly 12 ORS Str. x 12 ORS 90°	1	83.0"
235	59493064	Hose Assembly 12 ORS 90° x 10 ORS Str.	2	44.0"
238	59493056	Hose Assembly 12 ORS 90° x 10 ORS Str.	2	40.5"
263	59417931	Hose Assembly 12 ORS 90° x 12 ORS 90°	1	96.0 x 225°
327	59493890	Tee	2	
342	59922534	Straight Adapter	2	
354	59922294	45° Adapter	2	
400	58841586	Dual Counterbalance Valve	2	
-	58874801	-Dual Counterbalance Block	1	
-	58753849	-Cartridge	1	
-	58874819	-Counterbalance Valve	1	
-	59476713	-Tamperproof Cap	1	
-	58874827	-Repair Kit	1	
401	95081857	Lock Washer (Not Shown)	4	3/8 Dia.
402	95919361	H.H.C.S. (Not Shown)	4	3/8 - 16 x 4.0
403	95303335	O-Ring Fitting	8	
404	59452292	Tube Assembly (Short)	2	
405	59452284	Tube Assembly (Long)	2	
406	59922294	45° Adapter	2	

HYDRAULIC HOSES AND ADAPTERS-SHEET 4 OF 5

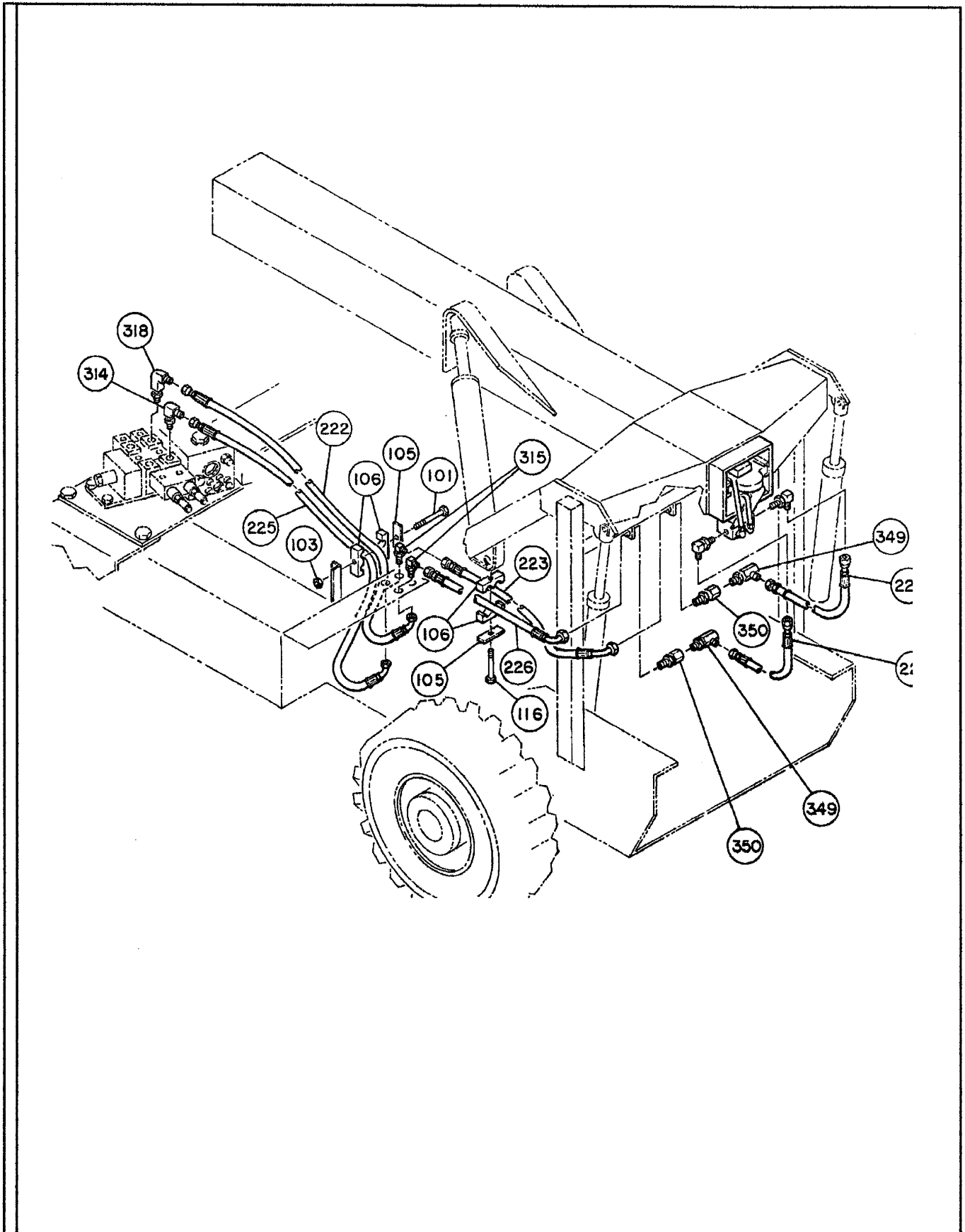


VR-90B

HYDRAULIC HOSES AND ADAPTERS-SHEET 4 OF 5

ITEM	COMM.NO.	DESCRIPTION	QTY	DIMENSIONS/NOTES
		DWG. 59494138-4		
-		Tilt Boom System Hoses And Adapters	1	
103	59918573	Hex Nut	3	5/16 - 18
113	59583450	Cover Plate	3	
114	59929026	Clamp Insert	6	
115	95920542	Cap Screw	1	
242	59495796	Hose Assembly 6 ORS 90° x 6 ORS Str.	2	12.50
243	59493049	Hose Assembly 6 ORS 90° x 6 ORS Str.	1	18.0
244	59417915	Hose Assembly 6 ORS Str. x 6 ORS Str.	1	52.0
245	59493031	Hose Assembly 6 ORS 90° x 6 ORS Str.	1	42.25
246	59493023	Hose Assembly 6 ORS Str. x 6 ORS Str.	1	79.0
247	59493015	Hose Assembly 8 JIC Str. x 6 ORS Str.	1	53.0
249	59493007	Hose Assembly 8 JIC Str. x 6 ORS Str.	1	27.50
301	59922864	90° Adapter	4	
302	59918649	Adapter, Straight (Effective with S/N146392)	2	
-	59918649	Adapter, Straight (Prior to S/N 146392)	2	
332	59962621	Adapter	2	
333	59918557	Adapter Tee	2	

HYDRAULIC HOSES AND ADAPTERS-SHEET 5 OF 5



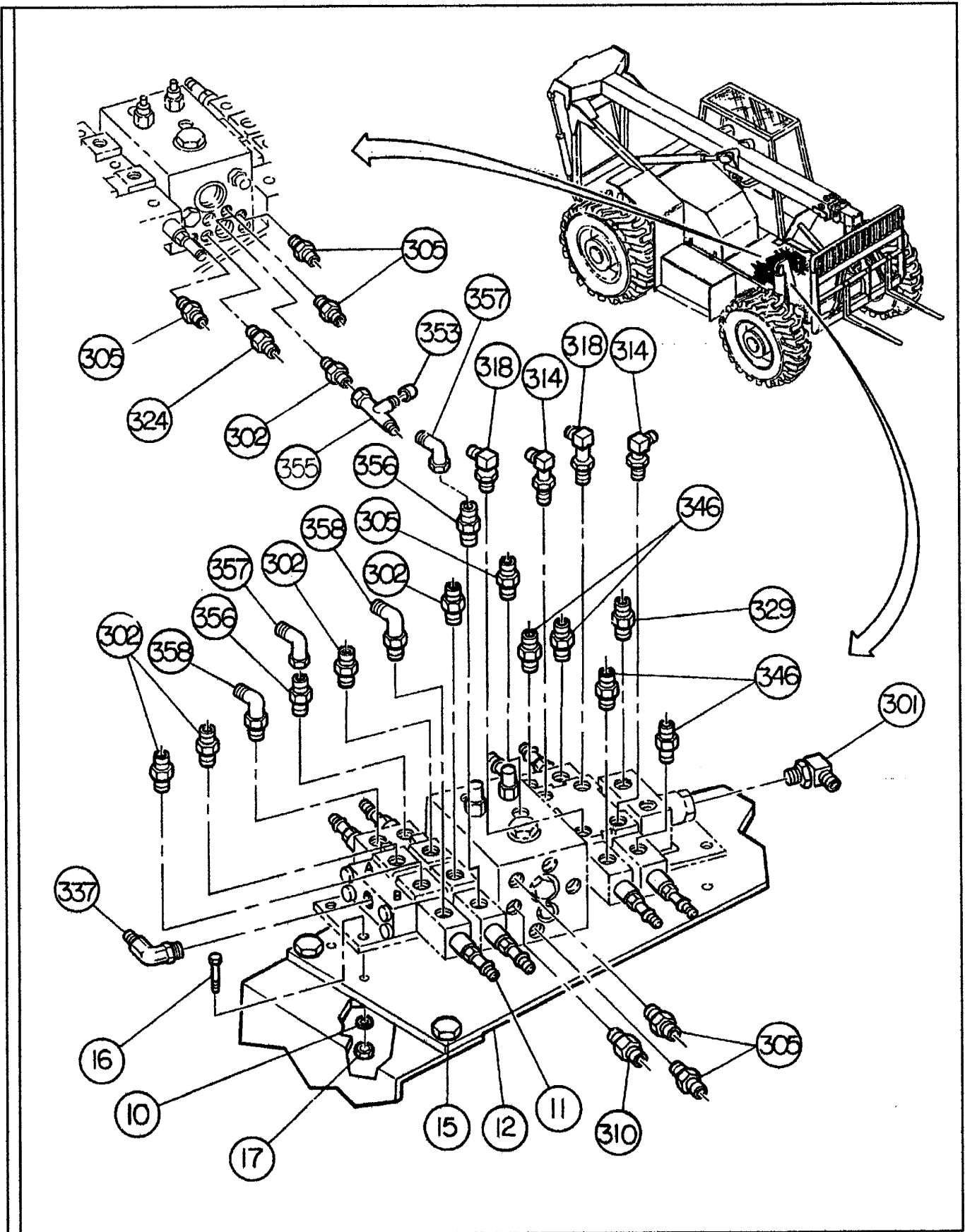
VR-90B



HYDRAULIC HOSES AND ADAPTERS-SHEET 5 OF 5

ITEM	COMM.NO.	DESCRIPTION	QTY	DIMENSIONS/NOTES
		DWG. 59494138-4		
-		Boom Extension Cylinder Hoses And Adapters	1	
101	95920591	H.H.C.S.	1	5/8 - 16 x 3.75
103	59918573	Hex Nut	1	5/8 - 16
105	59656322	Cover Plate	2	
106	59656330	Insert Clamp	4	
116	95920567	H.H.C.S.	1	5/16 - 18 x 2.5
222	59090068	Hose Assembly 12 ORS 45° x 12 ORS Str.	1	80.5"
223	59493098	Hose Assembly 12 JIC 45° x 12 ORS Str.	1	56.0"
224	59663641	Hose Assembly 12 JIC Str. x 12 JIC Str.	2	33.0"
225	59090076	Hose Assembly 12 ORS 45° x 12 ORS Str.	1	72.5"
226	59493072	Hose Assembly 12 JIC 90° x 12 ORS Str.	1	49.0"
314	59922971	Fitting	1	
315	59962332	Adapter	2	
318	59408567	Adapter	1	
349	59455071	Hydraulic Swivel	2	
-	58974346	-O-Ring Repair Kit	1	
350	59465401	Adapter	2	

STEERING, BRAKE AND BOOM HOSES (SHEET 1 OF 6)



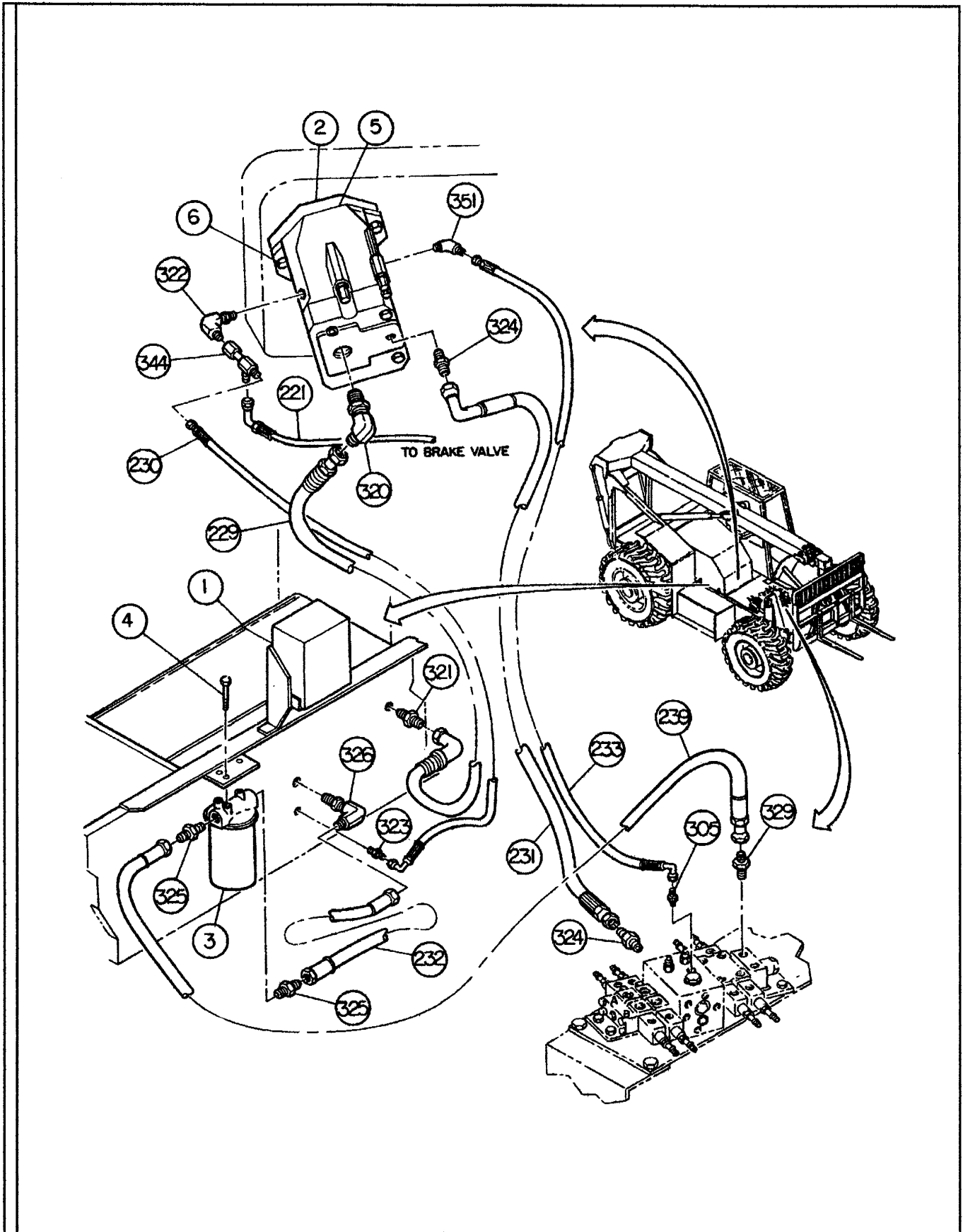
VR-90B

F.2.2

STEERING, BRAKE AND BOOM HOSES (SHEET 1 OF 6)

ITEM	COMM. NO.	DESCRIPTION	QTY	DIMENSIONS/NOTES
		DWG. 59493528 Sht 1		
10	59565036	Washer, Hard	1	
12	59495234	Plate, Valve Mounting	1	
15	59848424	Screw, Lock	4	1/2 - 13 x 1.0
16	59680983	Screw, Lock	3	3/8 - 16 x 1.0
17	59807941	Nut, Lock	3	3/8 - 16
301	59922864	Adapter, 90°	1	
302	59918649	Adapter, Straight	5	
305	59929182	Adapter, Straight	6	
310	59919670	Adapter, Straight	2	
312	59918540	Adapter, Tee	1	
314	59922971	Adapter, 90°	2	
318	59408567	Adapter, 90°	2	
324	59922617	Adapter, Straight	1	
329	59922641	Adapter, Straight	1	
337	59922872	Adapter, Elbow	1	
346	59922419	Adapter, Straight	2	
353	59924050	Cap	1	
356	95371258	Adapter, Straight	2	
357	95302113	Adapter, 90°	2	
358	95365094	Adapter, 90°	2	

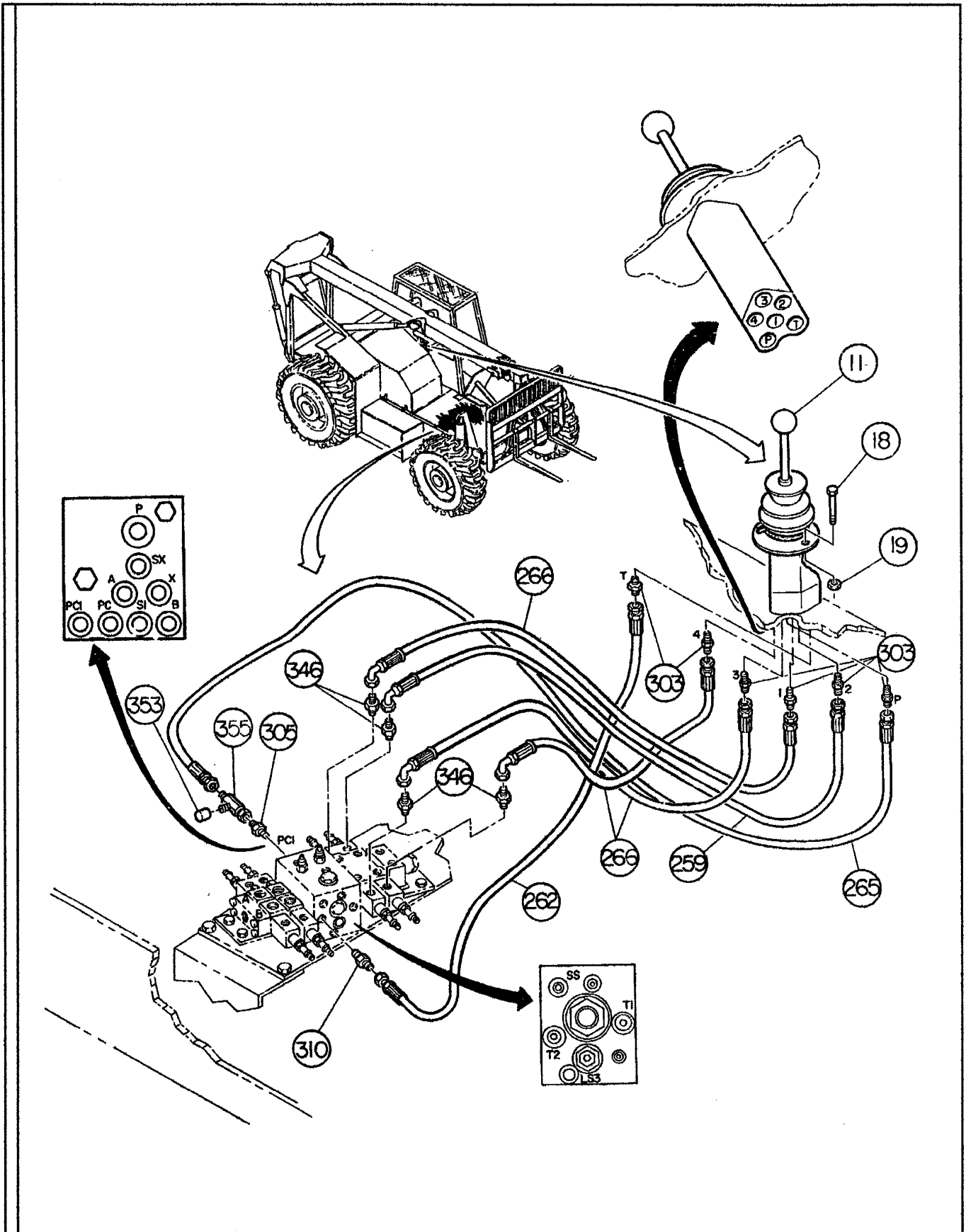
STEERING, BRAKE AND BOOM HOSES (SHEET 2 OF 6)



STEERING, BRAKE AND BOOM HOSES (SHEET 2 OF 6)

ITEM	COMM. NO.	DESCRIPTION	QTY	DIMENSIONS/NOTES
		DWG. 59493528 Sht 2		
1	59495069	Hydraulic Tank	1	See Breakdown-I.17
2	59585133	Gasket	1	
3	59456921	Filter	1	
-	59438838	-Replacement Element	1	
-	59491175	-Indicator	1	
-	59496943	-Filter Sender	1	
4	59456293	Flange Screw	3	3/8 - 16 x 0.75
5	59090027	MAIN HYDRAULIC AND STEERING PUMP (Effective With S/N 150671)	1	See Breakdown-I-18
-	59001321	MAIN HYDRAULIC AND STEERING PUMP (S/N 142719 thru 150670)	1	See Breakdown-I-19
-	59474783	MAIN HYDRAULIC AND STEERING PUMP (Prior To S/N 142719)	1	See Breakdown-I-20
6	59463752	Flange Screw	2	1/2 - 13 x 1.25
221	58770165	Hose Assembly 8 ORS 90° x 8 ORB	1	87.0
229	59495705	Hose Assembly 24 ORS 90° x 24 ORS Str.	1	26.0
230	59495713	Hose Assembly 8 ORS 90° x 8 ORB Str.	1	29.0
231	59495721	Hose Assembly 12 ORS 90° SW x 12 ORS SW.	1	35.0
232	59495739	Hose Assembly 16 ORS Str. x 16 ORS Str.	1	20.50
233	58787078	Hose Assembly 4 ORS 90° x 4 ORS Str.	1	50.0
239	59495762	Hose Assembly 16 ORS 90° x 16 ORS Str.	1	40.0
305	59929182	Adapter	1	
320	59923052	Adapter	1	
321	59922690	Adapter	1	
322	59922906	Fitting	1	
323	59923185	Adapter	1	
324	59922617	Adapter	1	
325	59922658	Fitting	2	
326	59923011	Fitting	1	
329	59922641	Adapter	1	
344	59923797	Tee	1	
351	59922203	Adapter	1	

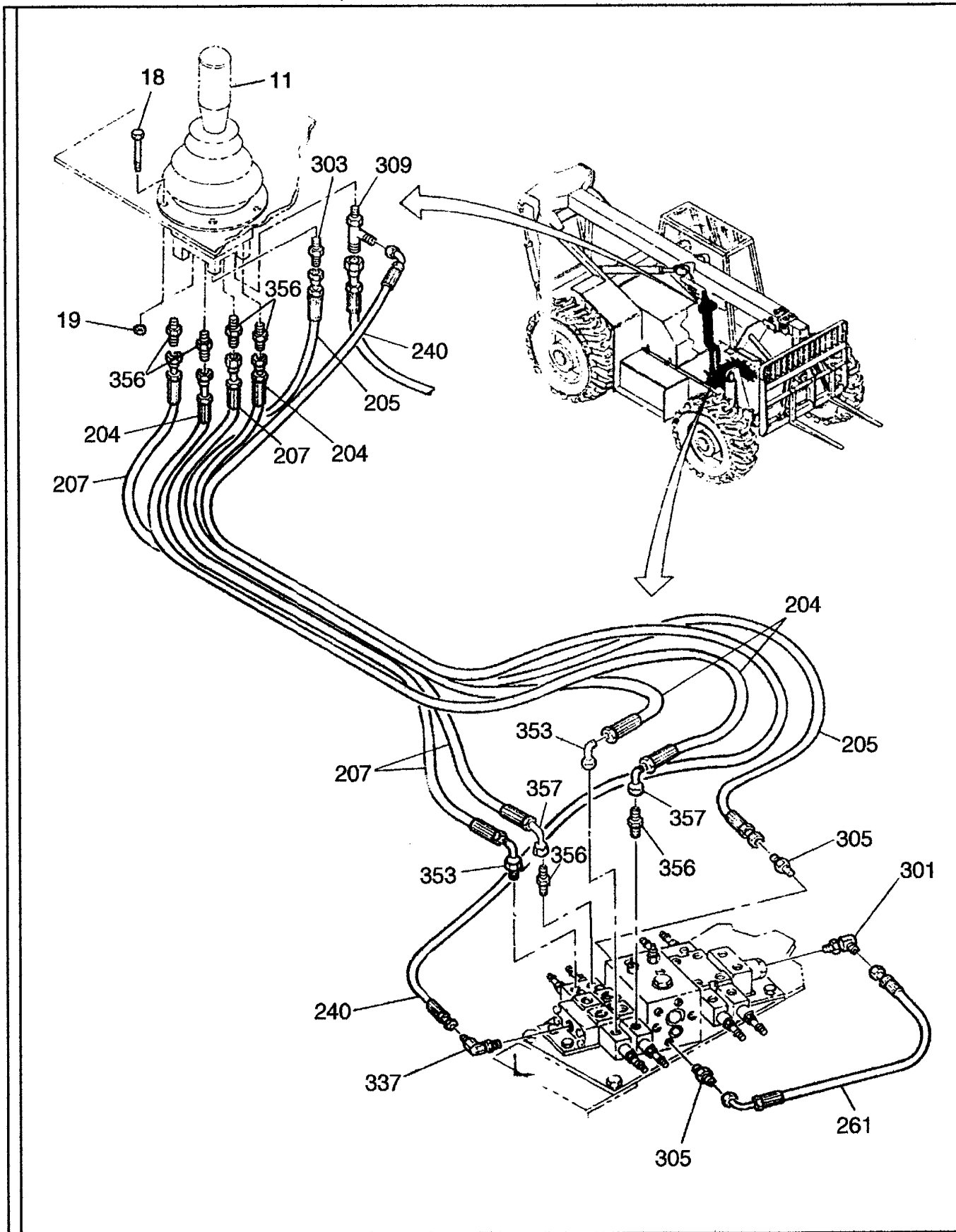
STEERING, BRAKE AND BOOM HOSES (SHEET 3 OF 6)



STEERING, BRAKE AND BOOM HOSES (SHEET 3 OF 6)

ITEM	COMM. NO.	DESCRIPTION	QTY	DIMENSIONS/NOTES
		DWG. 59493528 Sht 3		
11	N.SV.A.	<b>Hydraulic Kit - Non CBC - Boom Control</b>	1	<b>See Breakdown-L21</b>
18	59965962	Lock Bolt	8	1/4 - 20 x .75
19	59941682	Lock Nut	8	1/4 - 20
259	59434977	Hose Assembly 4 ORS 90° x 4 ORS Str. SW	2	55.0
262	58851437	Hose Assembly 6 ORS Str. x 6 ORS Str.	1	68.0
265	58930512	Hose Assembly 4 ORS Str. x 4 ORS Str. SW	1	
266	59434993	Hose Assembly 4 ORS 90° x 4 ORS Str. SW	2	72.0
303	59922419	Adapter	6	
305	59929182	Adapter	1	
310	59919670	Adapter	1	
346	59921056	Adapter	4	
353	59924043	Ors Cap	1	
355	59918615	Adapter (Effective with S/N 147862)	1	

STEERING, BRAKE AND BOOM HOSES (SHEET 4 OF 6)  
(EFFECTIVE WITH S/N 5240)

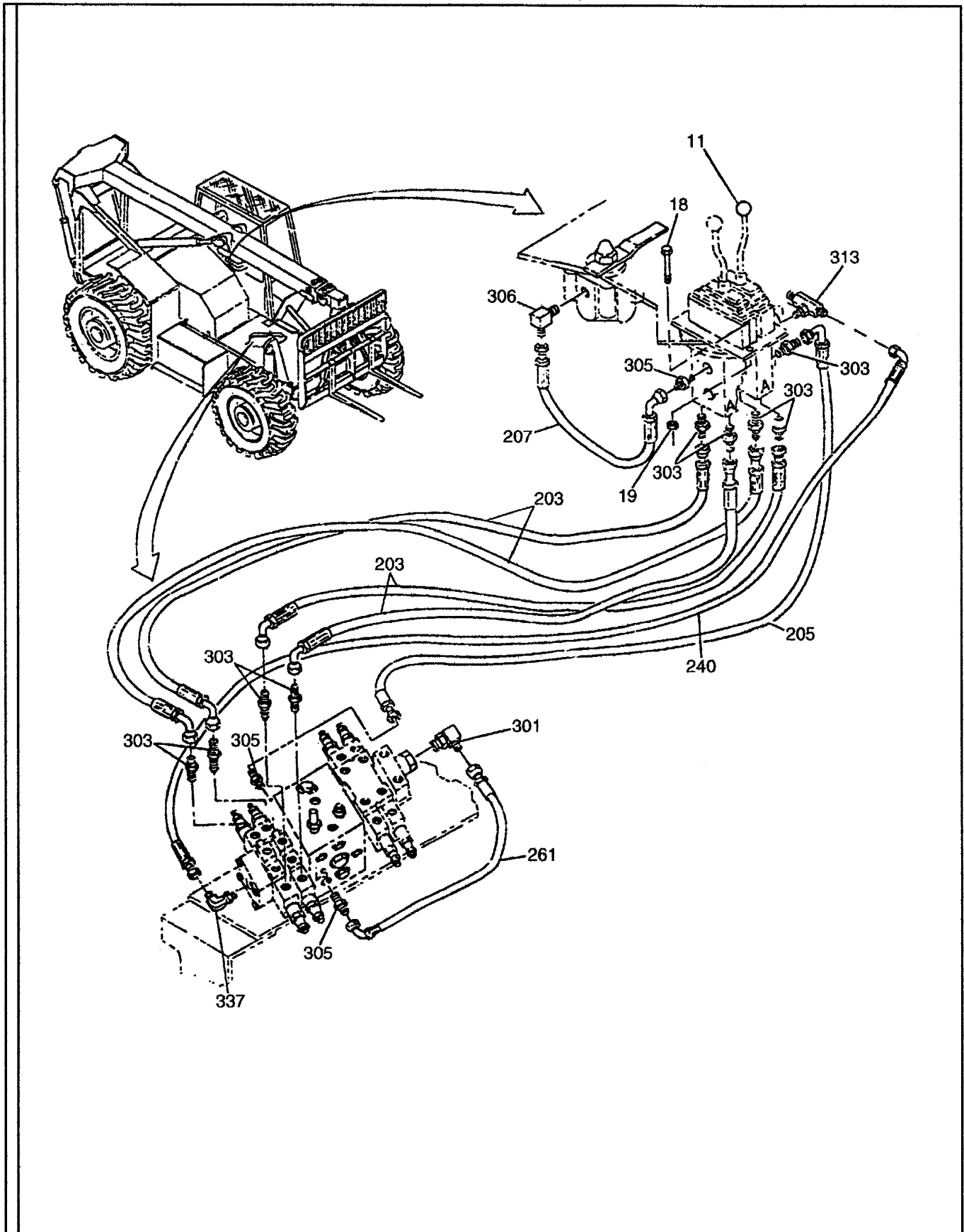




**STEERING, BRAKE AND BOOM HOSES (SHEET 4 OF 6)**  
**(EFFECTIVE WITH S/N 5240)**

<b>ITEM</b>	<b>COMM. NO.</b>	<b>DESCRIPTION</b>	<b>QTY</b>	<b>DIMENSIONS/NOTES</b>
		<small>DWG. 59493528 Sht 4</small>		
<b>11</b>	<b>N.SV.A.</b>	<b>Hydraulic Kit - Non CBC - Fork Tilt/Frame</b> Leveling	<b>1</b>	<b>See Breakdown-I.21</b>
18	59965962	Lock Bolt	8	1/4 - 20 x .75
19	59941682	Lock Nut	8	1/4 - 20
204	58851528	Hose Assembly 4 JIC Str. x 4 JIC Str.	2	62.0
205	59494146	Hose Assembly 4 ORS Str. SW x 4 ORS Str. SW	1	
207	59494146	Hose Assembly 372-2 x 4 JIC Str. SW	2	
240	58851411	Hose Assembly 6 ORS 90° x 6 ORS Str.	2	47.50
261	59494245	Hose Assembly 4 ORS 90° SW x 6 ORS Str. SW	1	24.0
301	59922864	90° Adapter	1	
303	59922419	Adapter	1	#4-6
305	59929182	Adapter	2	#4
309	59918532	Adapter Tee	1	
337	59922872	Adapter	1	#6-10
353	59924050	Cap	2	
356	95371258	Adapter	6	
357	95302113	Adapter	2	

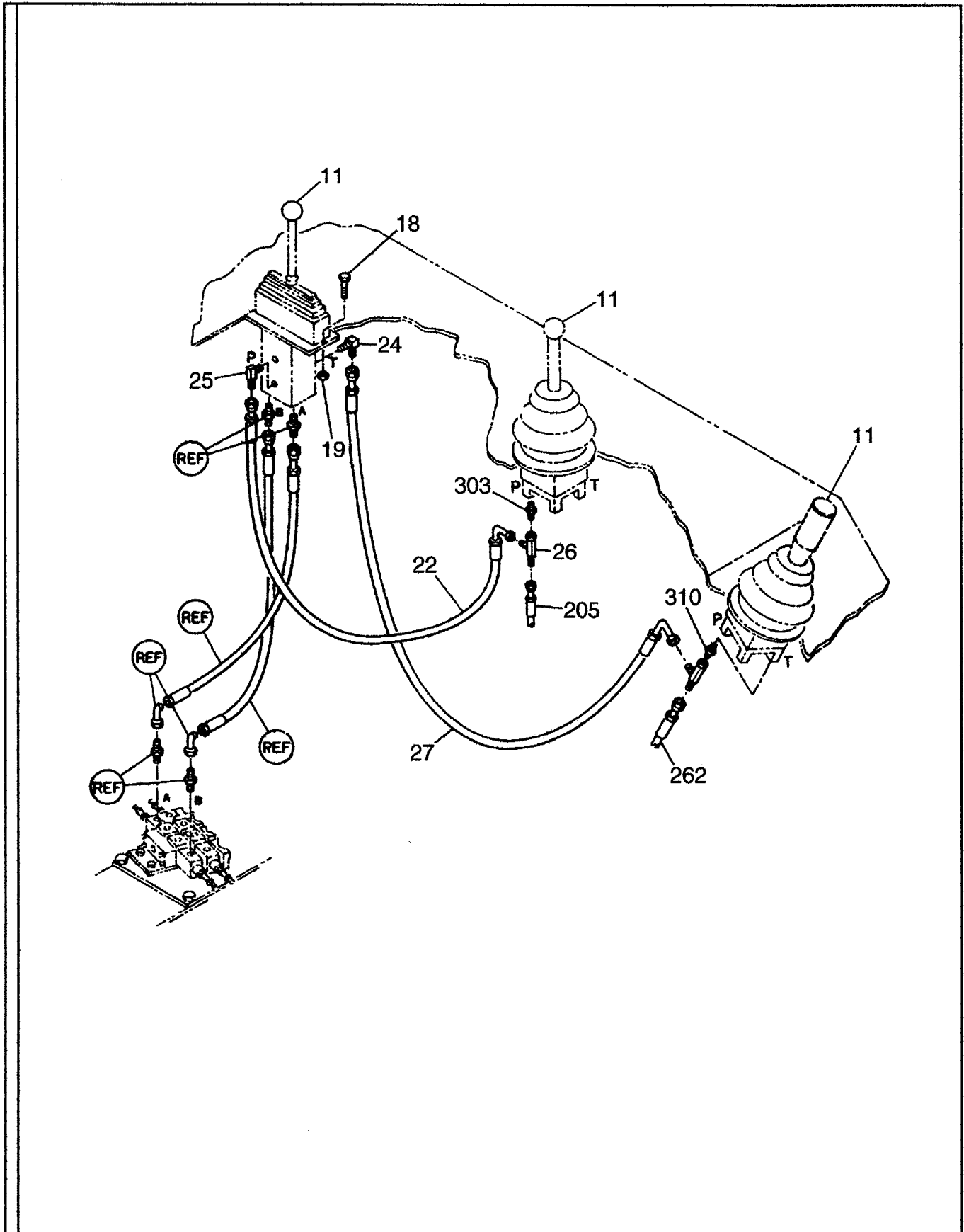
STEERING, BRAKE AND BOOM HOSES (SHEET 4 OF 6)  
(PRIOR TO S/N 5240)



STEERING, BRAKE AND BOOM HOSES (SHEET 4 OF 6)  
(PRIOR TO S/N 5240)

ITEM	COMM. NO.	DESCRIPTION	QTY	DIMENSIONS/NOTES
		<small>DWG. 59493528 Sht 4</small>		
11	N.SV.A.	<b>Hydraulic Kit - Non CBC - Fork Tilt/Frame Leveling</b>	1	<b>See Breakdown-I.21</b>
18	59965962	Bolt	8	1/4 - 20 x .75
19	59941682	Lock Nut	8	1/4 - 20
203	59495465	Hose Assembly 4 ORS Str. x 4 ORS 90°	4	48.0
205	59495481	Hose Assembly 4 ORS Str. x 4 ORS 90°	1	47.0
207	59495507	Hose Assembly 4 ORS Str. x 4 ORS 90°	1	17.50
240	59495770	Hose Assembly 6 ORS 90° x 6 ORS Str.	1	52.50
261	59494245	Hose Assembly 4 ORS 90° x 6 ORS Str.	1	24.0
301	59922864	90° Adapter	1	
303	59922419	Adapter	9	
305	59929182	Adapter	3	
306	59923318	90° Adapter	1	
313	59918581	Adapter Tee	1	
337	59922872	Adapter	1	

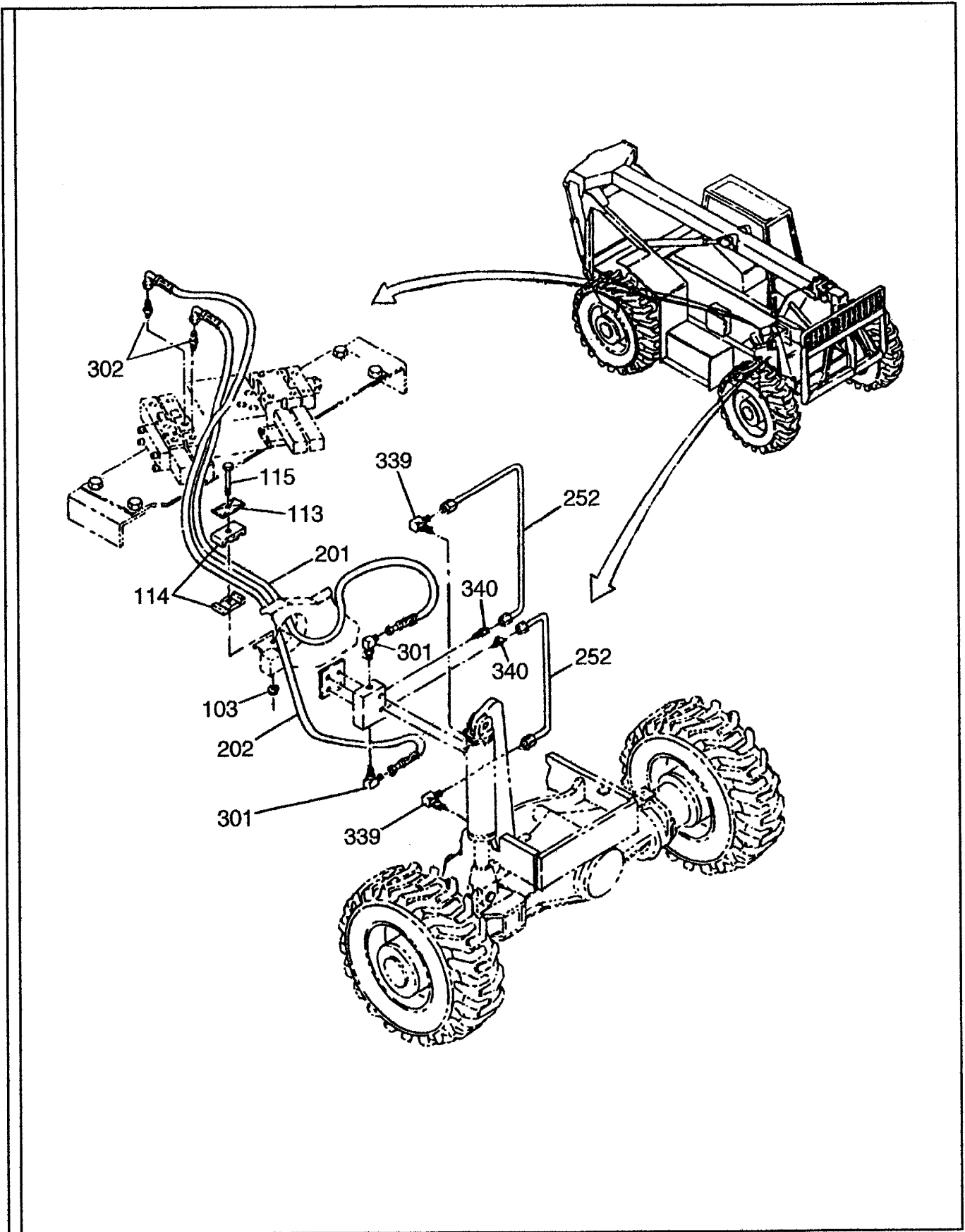
STEERING, BRAKE AND BOOM HOSES (SHEET 5 OF 6)



STEERING, BRAKE AND BOOM HOSES (SHEET 5 OF 6)

ITEM	COMM. NO.	DESCRIPTION	QTY	DIMENSIONS/NOTES
		DWG. 59493528 Sht 5		
11	N.SV.A.	<b>Hydraulic Kit - Non CBC - Auxiliary Hydraulic Control</b>	1	<b>See Breakdown-I.21</b>
18	59965962	Lock Bolt	8	1/4 - 20 x .75
19	59941682	Lock Nut	8	1/4 - 20
22	58882622	Hose Assembly	1	
23	59918540	Adapter Tee	1	
24	59922849	Adapter	1	
25	59922823	Adapter	1	
26	59918615	Adapter	1	
27	58802885	Hose Assembly 6 ORS 90° x 6 ORS Str.	1	26.0
205	58930512	Hose Assembly 4 ORS 90° x 4 ORS Str.	4	48.0
262	58851437	Hose Assembly 6 ORS Str. x 6 ORS Str. (Effective With S/N 5240)	1	68.0
-	59417923	Hose Assembly 6 ORS 45° x 6 ORS Str. (Prior To S/N 5240)	1	56.0
303	59922419	Adapter	1	
310	59919670	Adapter	1	

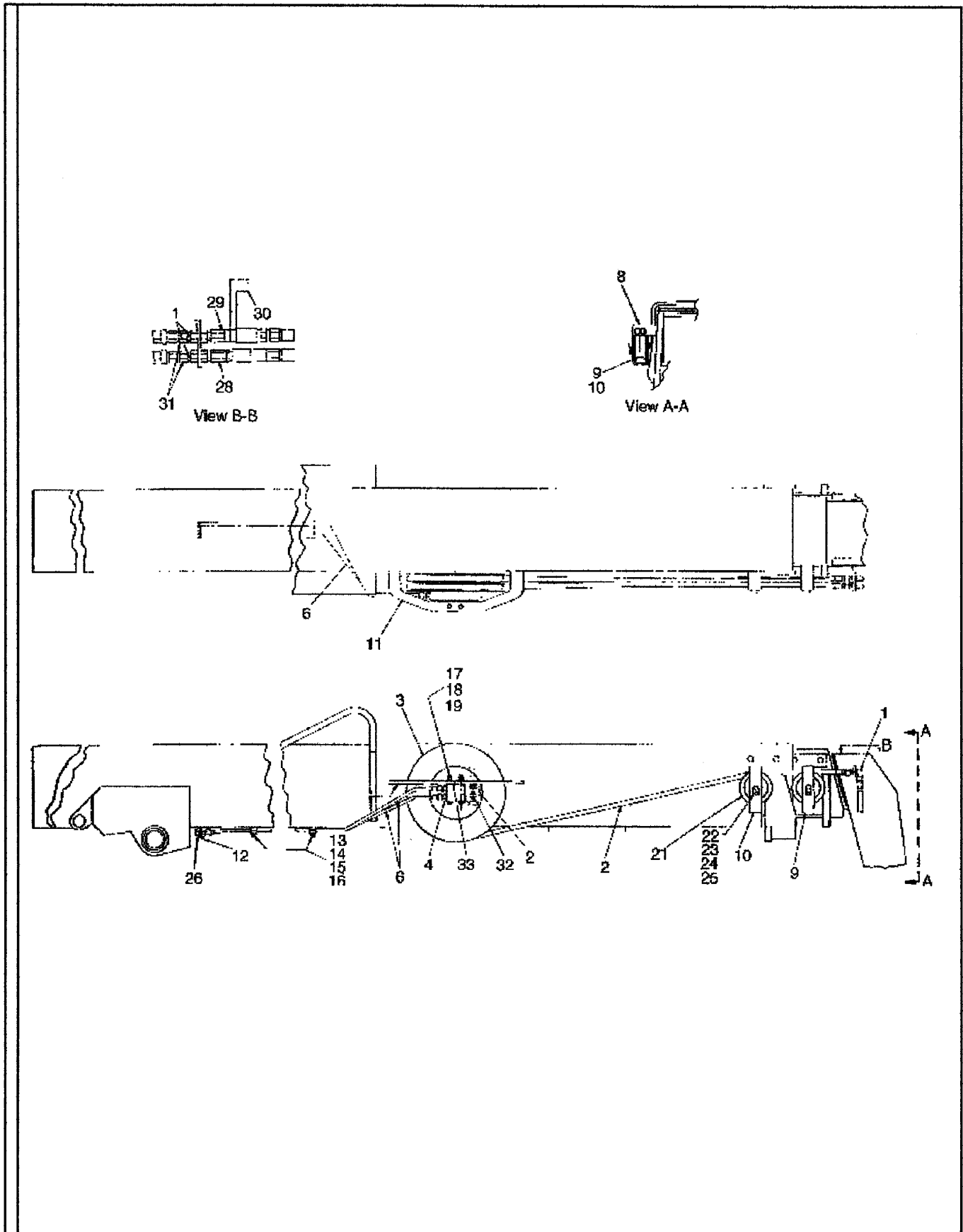
STEERING, BRAKE AND BOOM HOSES (SHEET 6 OF 6)



STEERING, BRAKE AND BOOM HOSES (SHEET 6 OF 6)

ITEM	COMM. NO.	DESCRIPTION	QTY	DIMENSIONS/NOTES
		DWG. 59493528 Sht 5		
-		FRAME LEVEL HYDRAULIC CYLINDER HOSES	1	
103	59918573	Lock Nut	1	5/16-18
113	59583450	Cover Plate	1	
114	59929026	Clamp Insert	2	
115	95920542	Cap Screw	1	5/16-18 x 2
201	59495440	Hose Assembly	1	
202	59495457	Hose Assembly	1	
252	59495937	Tube Assembly	2	
301	59922864	90° Adapter	2	
302	59918649	Adapter	2	
339	59922898	90° Adapter	2	
340	59922484	Adapter	2	

# HOSE REEL INSTALLATION

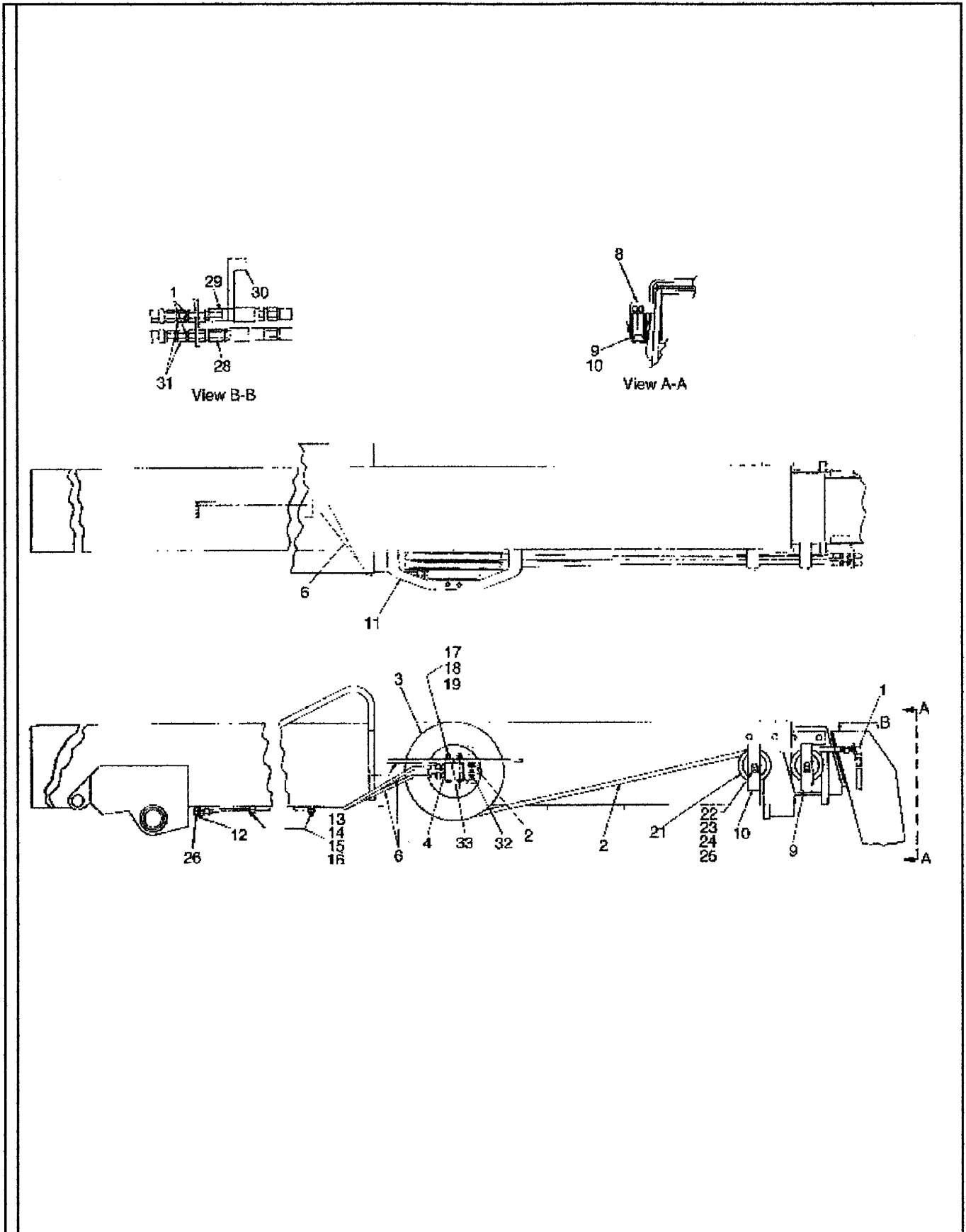




## HOSE REEL INSTALLATION

ITEM	COMM. NO.	DESCRIPTION	QTY	DIMENSIONS/NOTES
		<small>BOM 58882887</small>		
1	59942797	Adapter	2	
2	58883778	Hose Assembly (Effective with 143896)	1	
-	59451260	Hose Assembly (Prior to S/N 143896)	2	
3	58883794	Thinline Hose Reel (Effective with S/N 143896)	1	
-	59080911	-Service Seal Kit	1	
-	59080929	-Spring Assembly	1	
-	<b>59456616</b>	<b>Hose Reel (Prior to S/N143896)</b>	<b>1</b>	<b>See Breakdown-I.22</b>
4	95372173	Adapter (Effective with S/N 143896)	2	
-	95303368	Adapter (Prior to S/N 143896)	4	
6	58883752	Hose (Effective with S/N 143896)	2	84.0
-	59452243	Tube Assembly (Prior to S/N 143896)	1	
8	58882903	Plate	1	
9	59463240	Bracket	1	
10	59463273	Bracket	1	
11	58883802	Hose Reel Mtg Bracket (Eff. with S/N 143896)	1	
-	59465823	Hose Reel Mtg Bracket (Prior to S/N 143896)	1	
12	59465807	Plate	1	
13	59464586	Plate (Effective with S/N 143896)	2	
-	59451302	Stud (Prior to S/N 143896)	2	
14	59746248	Clamp (Effective with S/N 143896)	2	
-	59327833	Hex Nut (Prior to S/N 143896)	2	5/16 - 18
15	59583500	Cover Plate (Effective with S/N 143896)	2	
-	59455105	Clamp (Prior to S/N 143896)	4	
16	59918573	Lock Screw (Effective with S/N 143896)	2	5/16 - 18 x 1.75
-	59451310	Plate (Prior to S/N 143896)	2	
17	95919650	H.H.C.S.	2	1/2 - 13 x 4.0
18	59327866	Hex Nut	2	1/2 - 13
19	95931226	Lock Washer	2	1/2
21	59461988	Sheave Assembly	4	
-	59462069	-Sheave Hose	4	
-	95912671	-Bushing	4	
22	59456376	Pin	2	
23	59451393	Keeper	2	
24	95919171	H.H.C.S.	2	3/8 - 16 x 0.50
25	95931432	Lock Washer	2	3/8
26	95364964	Union	2	
28	59954818	Half Couplng	1	
29	59954826	Half Couplng	1	

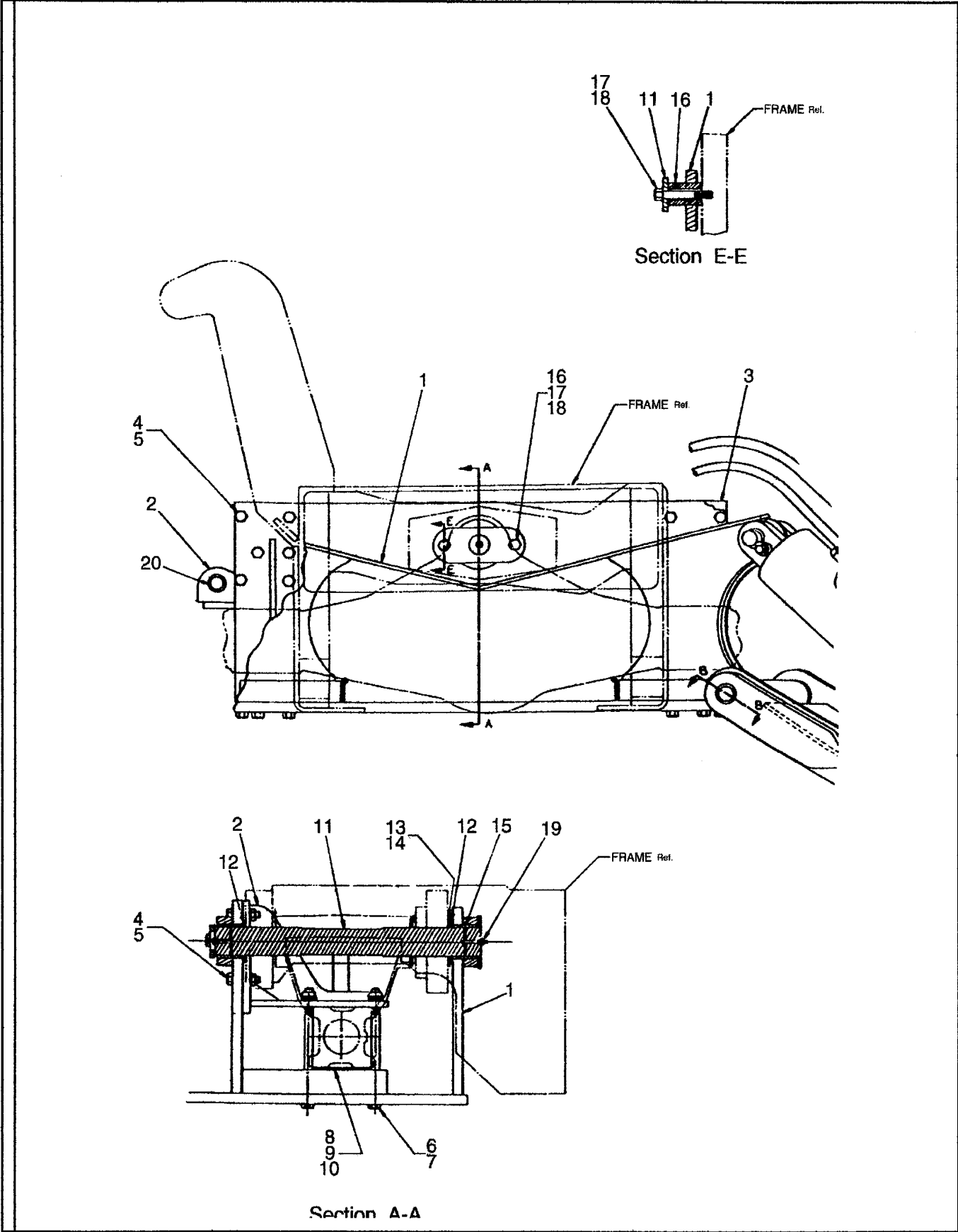
# HOSE REEL INSTALLATION



## HOSE REEL INSTALLATION

ITEM	COMM. NO.	DESCRIPTION	QTY	DIMENSIONS/NOTES
30	59954834	Dust Cover	2	
31	56919004	Tube	2	
32	95365078	Adapter	2	
33	59005595	Spacer	1	
**	59878710	Decal: Ingersoll-Rand Logo	1	

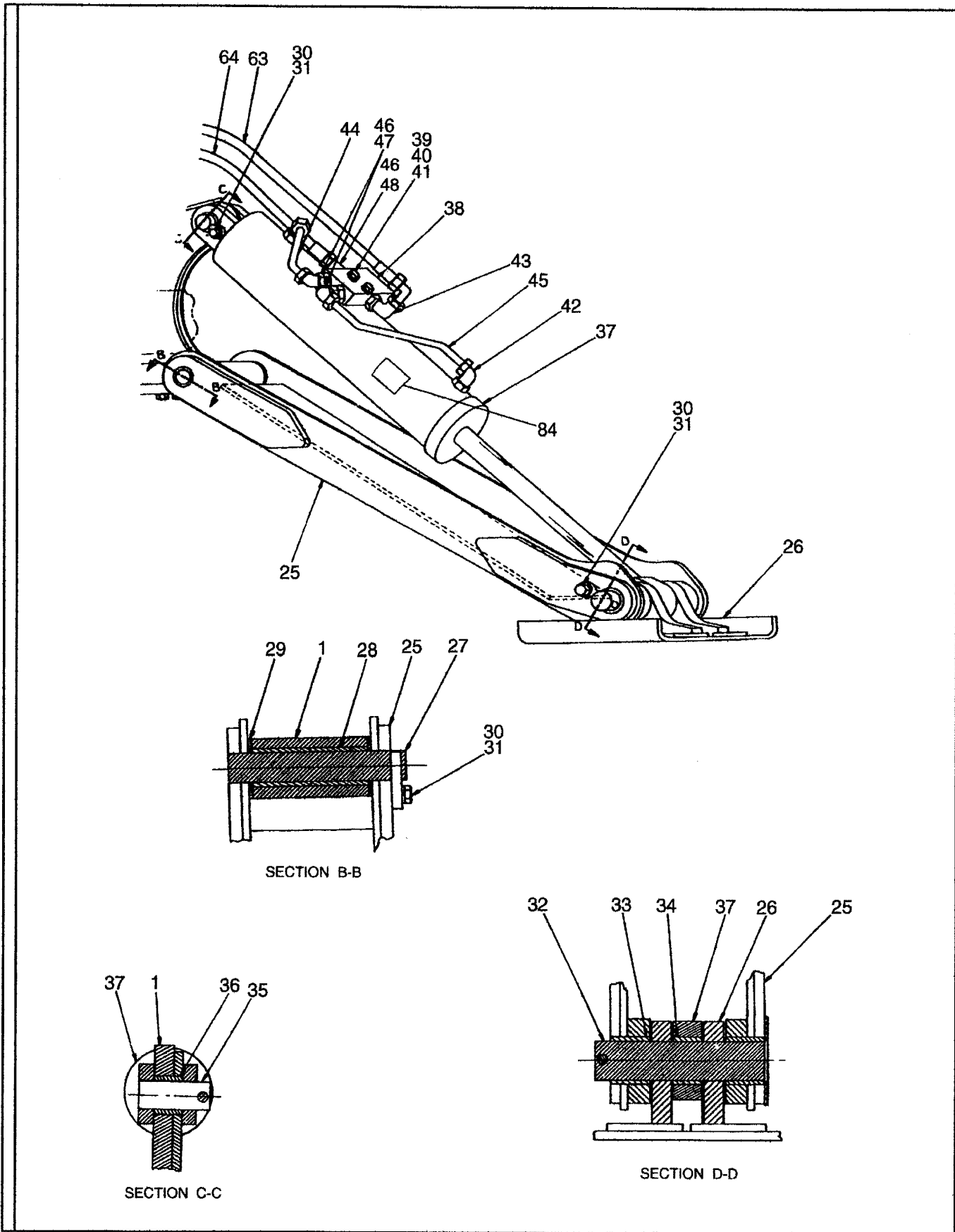
OUTRIGGER INSTALLATION - PIVOT GROUP



**OUTRIGGER INSTALLATION - PIVOT GROUP**

<b>ITEM</b>	<b>COMM. NO.</b>	<b>DESCRIPTION</b>	<b>QTY</b>	<b>DIMENSIONS/NOTES</b>
		<small>BOM 59460261</small>		
1	59469072	Outrigger Body	1	
2	59467209	Clamp Axle	1	
3	59467225	Cylinder Anchor	1	
4	95919601	H.H.C.S.	12	1/2 - 13 x 2.25
5	59726414	Lock Nut	12	1/2 - 13
6	59471292	H.H.C.S.	12	3/4 - 16 x 11.50
7	95349064	Locknut	12	3/4 - 16
8	59454470	Shim	a/r	
9	59454488	Shim	a/r	
10	59454496	Shim	a/r	
11	59467175	Pivot Axle	1	
12	59491878	Flat Washer	2	
13	59454454	Shim	20	
14	59454447	Shim	10	
15	59491894	Bushing	2	
16	59468629	Spacer	2	
17	95919676	H.H.C.S.	2	1/2 - 13 x 4.50
19	95201547	Grease Fitting	2	1610bl
20	59450411	Bearing	1	

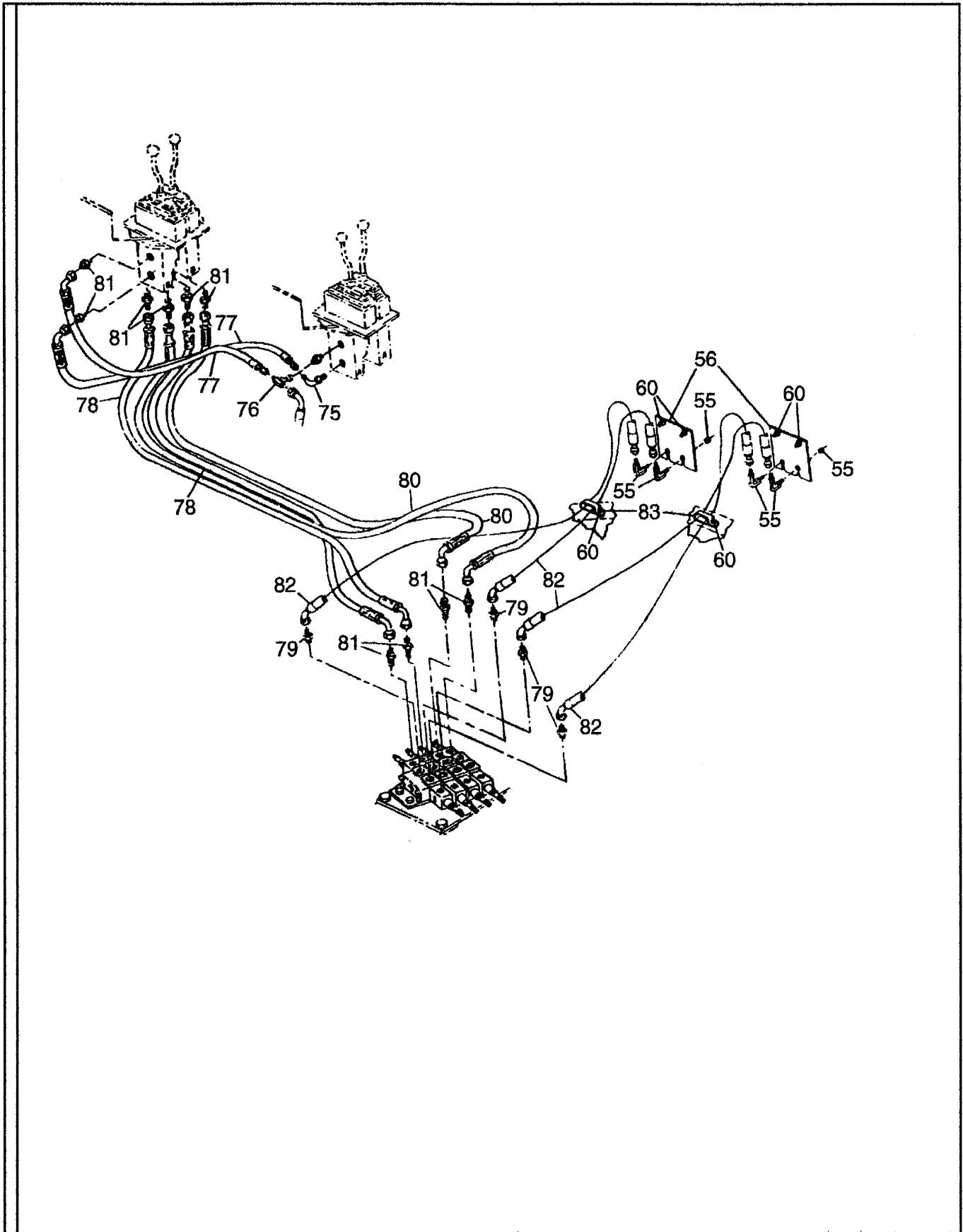
# OUTRIGGER INSTALLATION - ARM GROUP



**OUTRIGGER INSTALLATION - ARM GROUP**

<b>ITEM</b>	<b>COMM. NO.</b>	<b>DESCRIPTION</b>	<b>QTY</b>	<b>DIMENSIONS/NOTES</b>
		<small>BOM 59460410</small>		
25	59469064	Arm	2	
26	59468769	Foot	2	
27	59467316	Pin	2	
28	59454272	Bushing	4	
29	59463810	Flat Washer	4	
30	59455154	Anchor	6	
31	59463745	Flange Screw	6	1/2
32	59467308	Pin	2	
33	59454256	Bushing	4	
34	59454249	Bushing	2	
35	59467142	Pin	2	
36	59454264	Bushing	2	
<b>37</b>	<b>59450114</b>	<b>Outrigger Cylinder</b>	<b>2</b>	<b>See Breakdown-I.23</b>
38	59456749	Valve	2	
39	95920526	H.H.C.S.	4	5/16 - 18 x 1.75
40	95922365	Flat Washer	4	5/16
41	95931408	Lock Washer	4	5/16
42	95303335	Elbow	4	
43	95480109	Adapter, 90°	2	
44	59452227	Tube Assembly	2	
45	59452219	Tube Assembly	2	
46	95372173	Adapter	2	
46	95372173	Adapter	6	
47	95302121	Elbow	4	
48	95418166	Fitting	2	
84	59766501	Decal: Warning Pinch Point	4	

# OUTRIGGER INSTALLATION - CONTROL PLUMBING GROUP

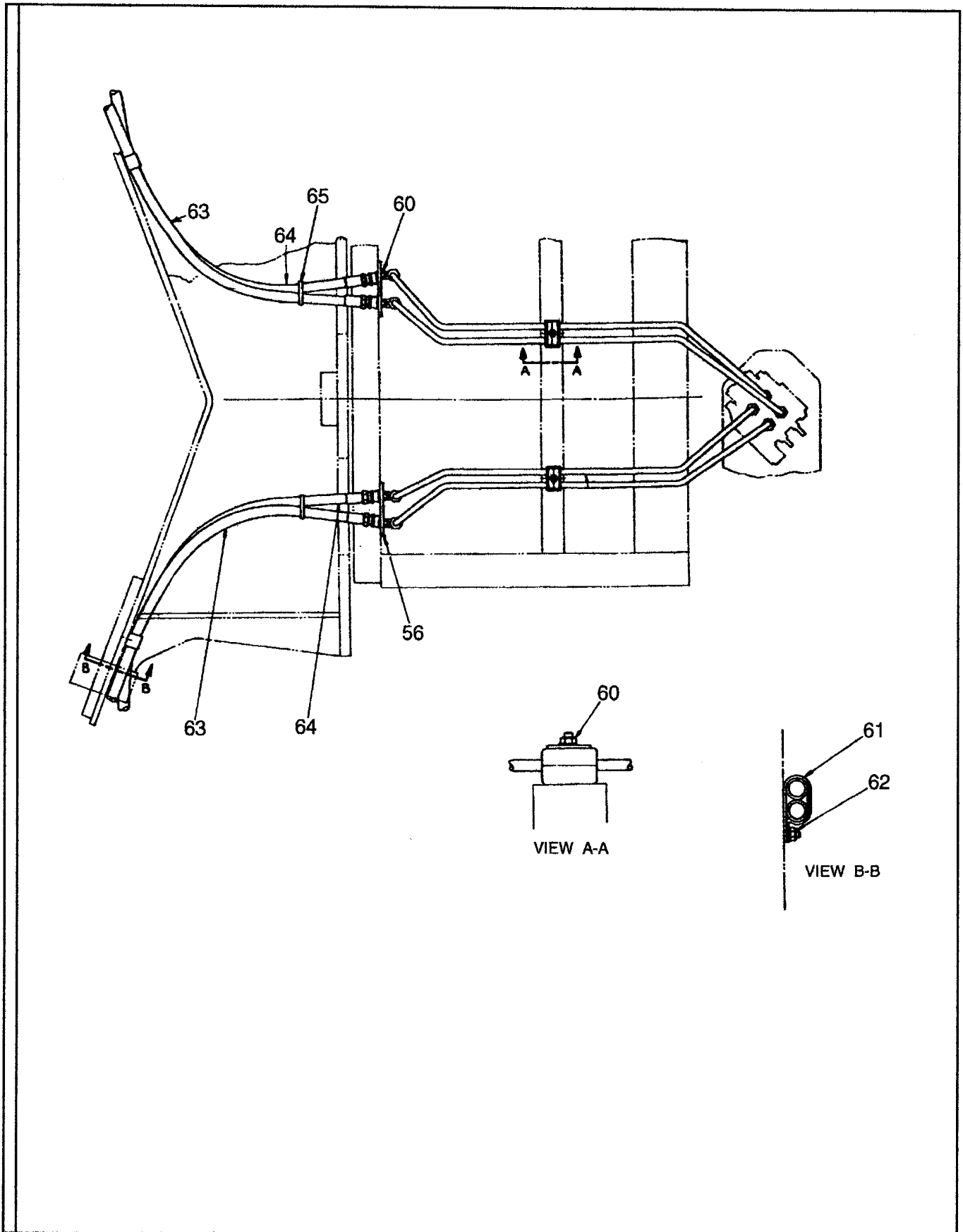




**OUTRIGGER INSTALLATION - CONTROL PLUMBING GROUP**

<b>ITEM</b>	<b>COMM. NO.</b>	<b>DESCRIPTION</b>	<b>QTY</b>	<b>DIMENSIONS/NOTES</b>
		<small>BOM 58852179</small>		
55	95278966	Adapter	4	
56	59468835	Bracket	2	
75	59919654	Straight Adapter	1	
76	59918557	Adapter, Tee	1	
77	58851544	Hose Assembly	2	10.0
78	58922543	Hose Assembly	2	14.0
79	59922492	Straight Adapter	4	
80	59434969	Hose Assembly	2	60.0
81	59922419	Straight Adapter	10	
82	58851486	Hose Assembly	2	
82	58851486	Hose Assembly	4	
83	59465682	Clamp	2	
84	59903153	Adapter	1	
85	59495804	Hose Assembly	1	
86	59919670	Straight Adapter	1	

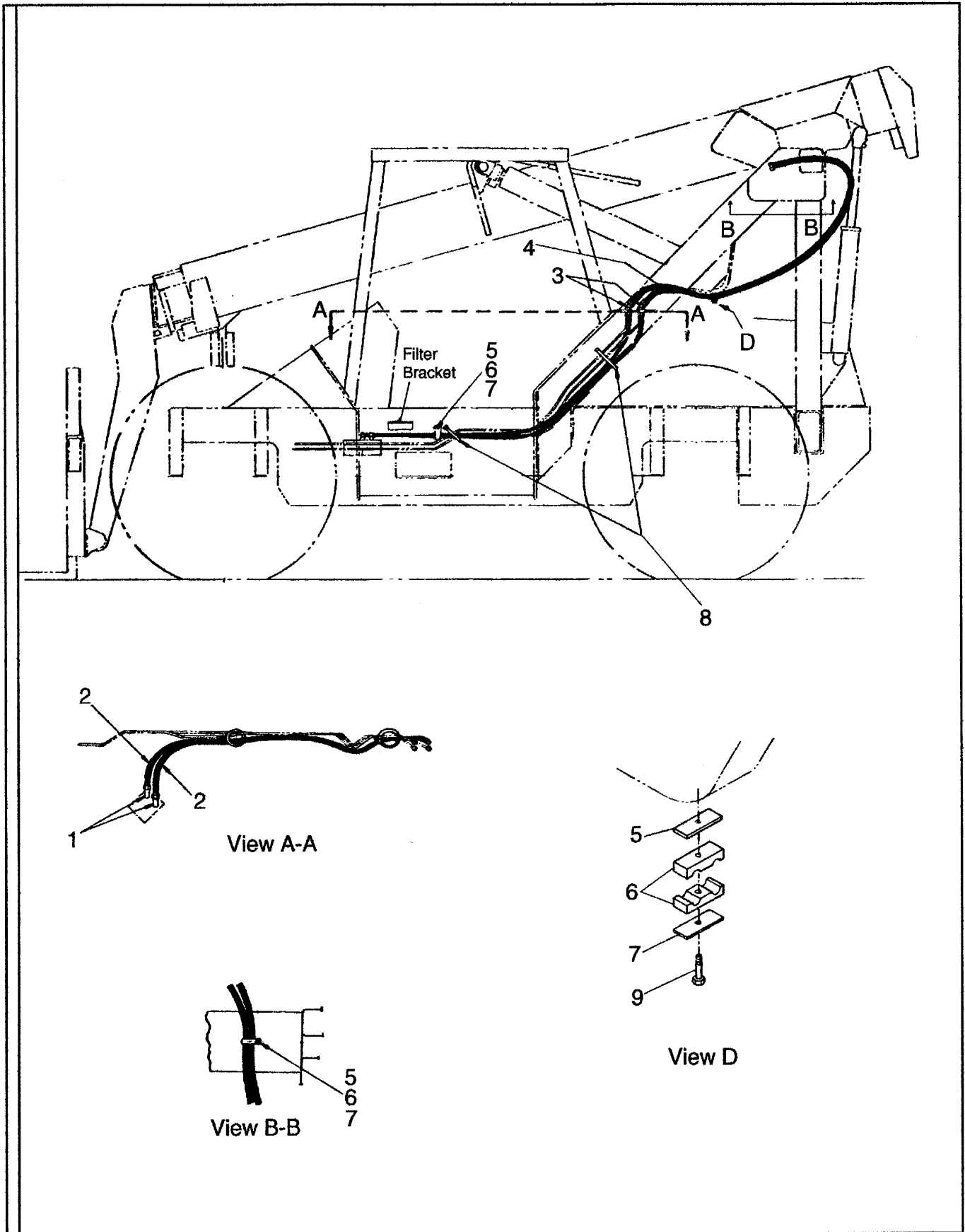
# OUTRIGGER INSTALLATION - ATTACHMENT GROUP



**OUTRIGGER INSTALLATION - ATTACHMENT GROUP**

<b>ITEM</b>	<b>COMM. NO.</b>	<b>DESCRIPTION</b>	<b>QTY</b>	<b>DIMENSIONS/NOTES</b>
		<small>BOM 59460253</small>		
56	59468835	Bracket	2	
60	59918573	Lock Nut	6	5/16 - 18
61	59465682	Clamp	4	
62	59807941	Lock Nut	2	3/8 - 16
63	59451062	Hose Assembly	2	
64	59451047	Hose Assembly	2	
65	95846051	Wire Tie	4	

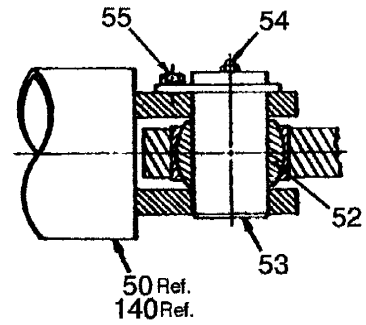
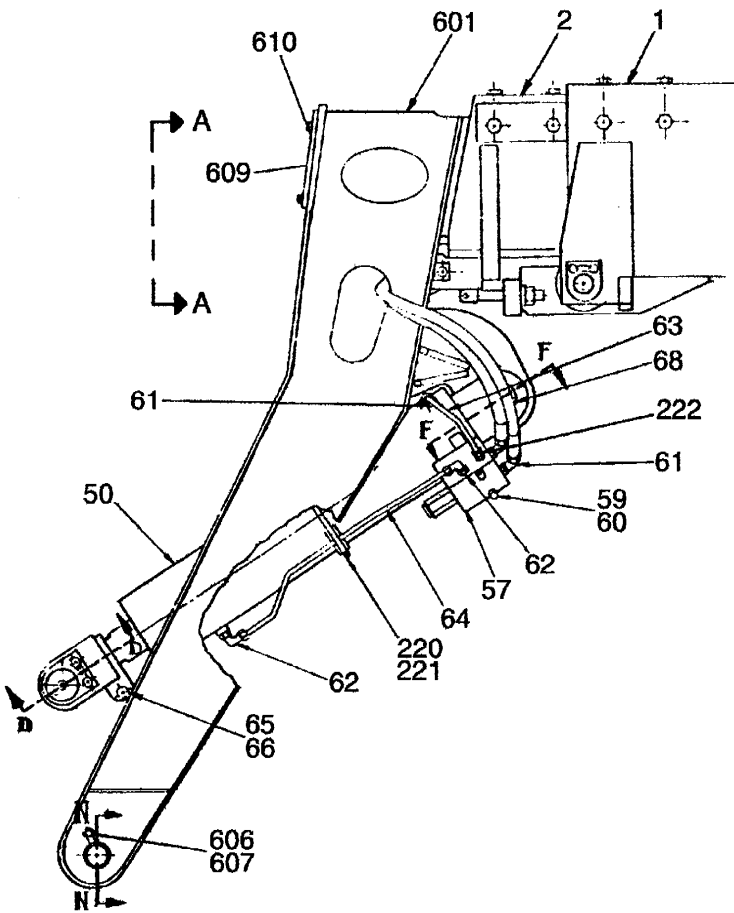
# HOSE REEL PLUMBING



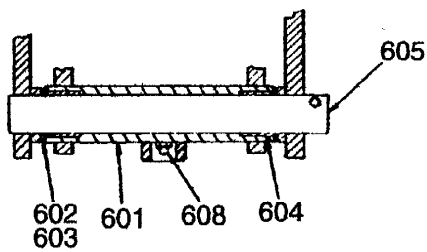
## HOSE REEL PLUMBING

ITEM	COMM. NO.	DESCRIPTION	QTY	DIMENSIONS/NOTES
		<small>BOM 58851627</small>		
1	59922492	Straight Adapter	2	
2	58883729	Hose Assembly	2	88.0
3	95278966	Fitting	2	2043-8-8s
4	58883745	Hose Assembly	2	95.0
5	59583476	Weld Plate	2	
6	59465690	Clamp	3	
7	59464628	Lock Nut	3	
8	95846051	Wire Tie	2	
9	5920526	H.H.C.S.	2	5/16-18 x 1.75

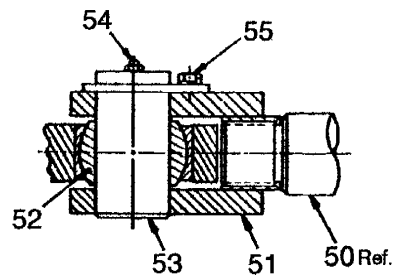
BOOM AND CARRIAGE ASSEMBLY (SHEET 1 OF 5)



View F-F



View N-N

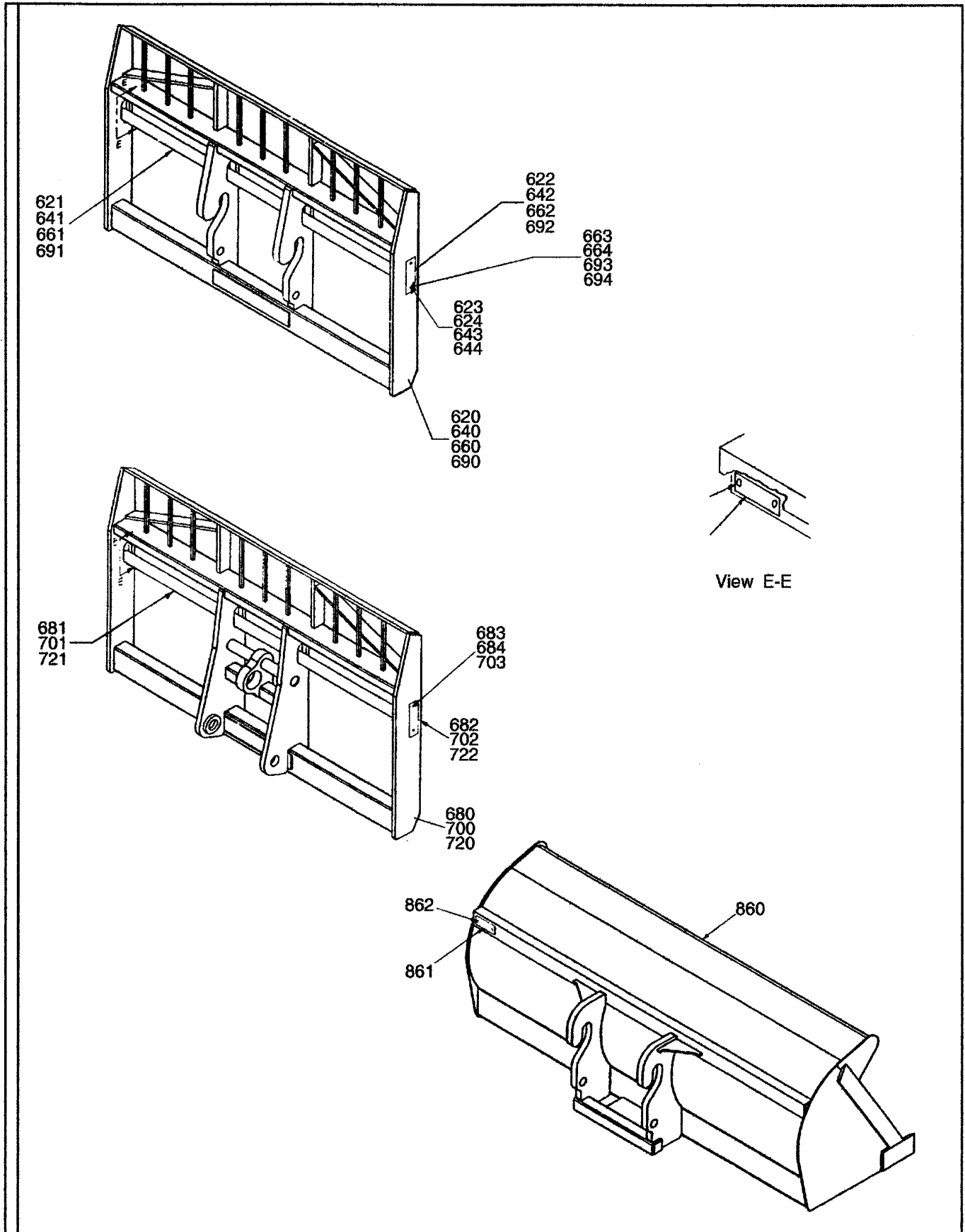


View D-D

BOOM AND CARRIAGE ASSEMBLY (SHEET 1 OF 5)

ITEM	COMM. NO.	DESCRIPTION	QTY	DIMENSIONS/NOTES
		DWG. 59470500 SHT 1		
1	59451625	Outer Boom	1	
2	58964487	Intermediate Boom	1	
<b>50</b>	<b>59474601</b>	<b>Tilt Cylinder</b>	<b>1</b>	<b>See Breakdown-I.24</b>
51	59455576	Rod End	1	
52	59450486	Bushing	2	
53	59451385	Pin	2	
54	95201547	Fitting, Grease	2	
55	59456293	Screw	4	
57	58964578	Valve, Motion Control (Eff. with S/N: 140983)	1	
57	59470989	Valve, Motion Control (Prior to S/N: 140983)	1	
-	58753245	-Seal Kit (Requires one kit per cartridge)	1	
-	58753252	-Cartridge (Long)	1	
-	58753260	-Cartridge (Check)	3	
59	95919346	H.H.C.S.	2	3/8 - 16 x 3.50
60	95931432	Lock Washer	2	3/8
61	95157400	Adapter (Effective with S/N 147136)	1	
-	95157400	Adapter (Prior to S/N 147136)	1	
62	95303335	Elbow (Effective with S/N 147136)	4	2062-8-8s
-	95303335	Elbow (Prior to S/N 147136)	4	
63	59474619	Tube Assy	1	
64	59474627	Tube Assy	1	
65	95919627	H.H.C.S.	1	1/2 - 13 x 2.75
66	59327866	Hex Nut	1	1/2 - 13
68	58826769	Hose Assembly	2	
601	58841545	Narrow Tip Boom	1	
602	59455766	Washer, Thrust	2	
603	59455261	Race, Thrust	3	
604	59454215	Bearing, Inner	2	
605	59474742	Pin	1	
606	59455154	Anchor	1	
607	59463745	Flange Screw	1	1/2
608	95201547	Fitting, Grease	1	
609	59474254	Cover Plate	1	
610	59456277	Lock Screw	2	5/16 - 18 x 1.0

BOOM AND CARRIAGE ASSEMBLY (SHEET 2 OF 5)





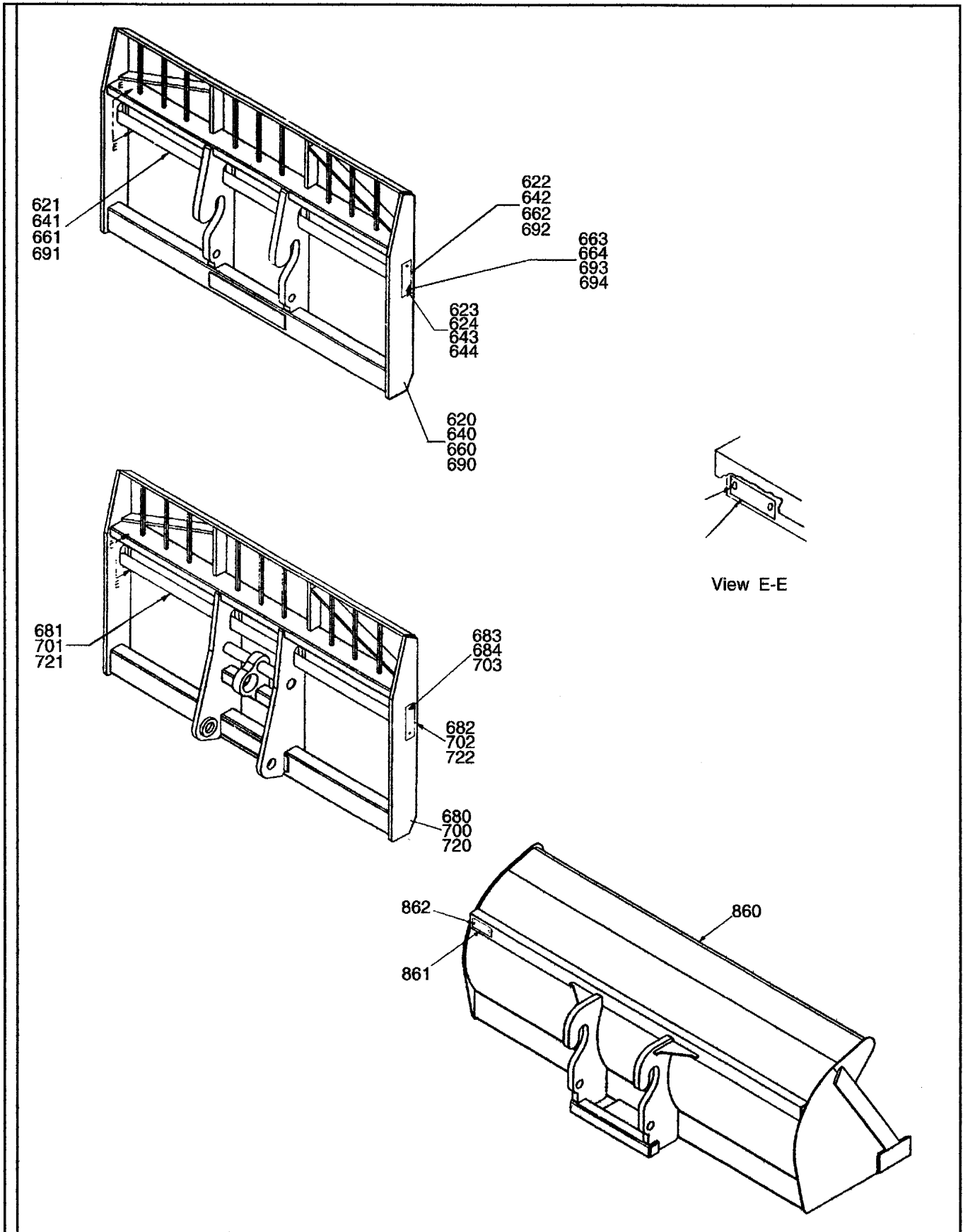
**BOOM AND CARRIAGE ASSEMBLY (SHEET 2 OF 5)**

<b>ITEM</b>	<b>COMM. NO.</b>	<b>DESCRIPTION</b>	<b>QTY</b>	<b>DIMENSIONS/NOTES</b>
		<small>DWG. 59470500 SHT 1</small>		
680	58939968	48" Standard Carriage (Effective with S/N 147815)	1	
-	59492728	48" Standard Carriage (Prior to S/N 147815)	1	
681	58793209	48" Load Arm	1	
682	59451815	Plate	2	
683	95919239	H.H.C.S.	4	3/8 - 16 x 1.25
684	95931432	Washer, Lock	4	3/8
685	N.S.S.	Nameplate Decal	1	
686	95921599	Screw	2	#4 x 0.250
620	58884636	48" Quick Attach Carriage (Effective with S/N 147185)	1	
620	59492835	48" Quick Attach Carriage (Prior to S/N 147815)	1	
621	58793209	48" Load Arm	1	
622	59451815	Plate	2	
623	95919239	H.H.C.S.	4	3/8 - 16 x 1.25
624	95931432	Washer, Lock	4	3/8
625	N.S.S.	Nameplate Decal	1	
626	95921599	Screw	2	#4 x 0.250
640	58850298	48" Quick Attach Side Tilt Carriage	1	
641	58882739	48" Load Pin	1	
642	59451815	Plate	2	
643	95919239	H.H.C.S.	4	3/8 - 16 x 1.25
644	95931432	Washer, Lock	4	3/8
645	N.S.S.	Nameplate Decal	1	
646	95921599	Screw	2	#4 x 0.250
700	58884651	60" Standard Carriage	1	
701	58793191	60" Load Arm	1	
702	59451815	Plate	2	
703	95919239	H.H.C.S.	4	3/8 - 16 x 1.25
704	95931432	Washer, Lock	4	3/8
705	N.S.S.	Nameplate Decal	1	
706	95921599	Screw	2	
640	58884610	60" Quick Attach Carriage	1	
641	58793191	60" Load Arm	1	
642	59451815	Plate	2	
643	95919239	H.H.C.S.	4	3/8 - 16 x 1.25
644	95931432	Washer, Lock	4	3/8
645	N.S.S.	Nameplate Decal	1	
646	95921599	Screw	2	#4 x 0.250

VR-90B

G.1.5

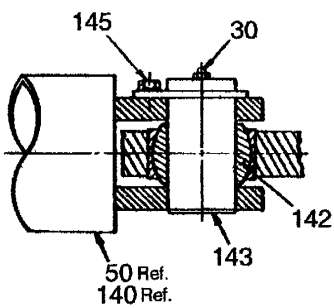
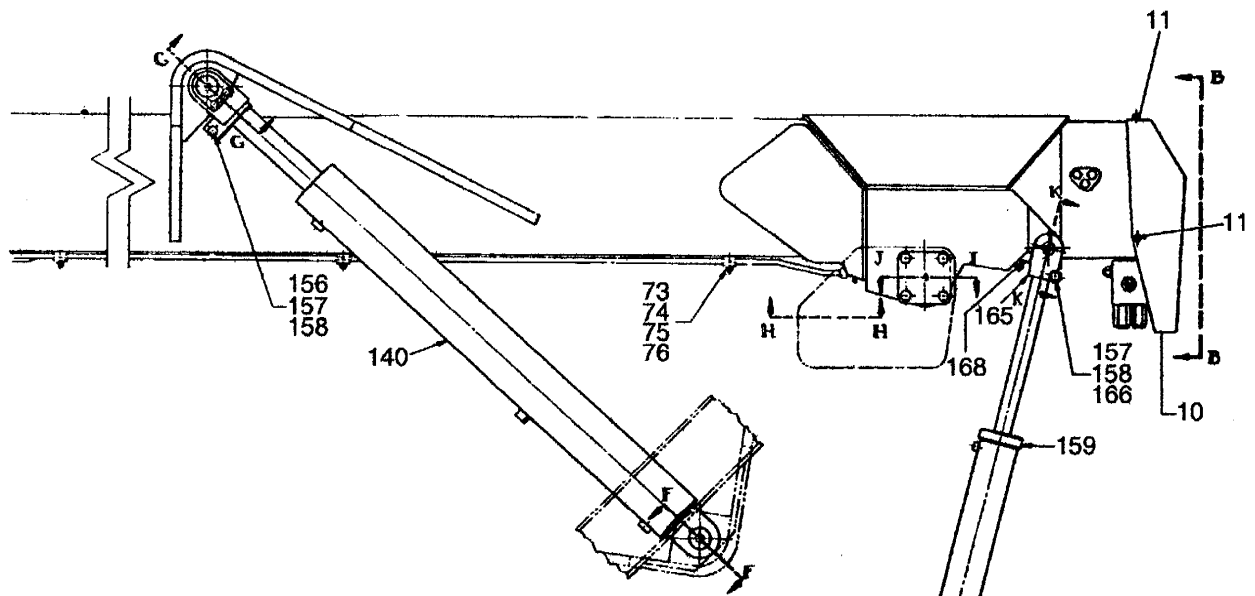
BOOM AND CARRIAGE ASSEMBLY (SHEET 2 OF 5) (Continued)



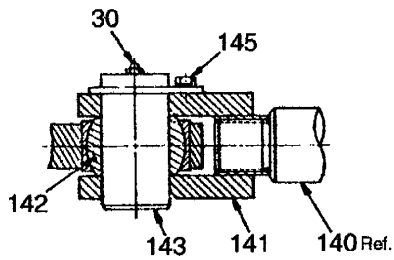
**BOOM AND CARRIAGE ASSEMBLY (SHEET 2 OF 5) (Continued)**

<b>ITEM</b>	<b>COMM. NO.</b>	<b>DESCRIPTION</b>	<b>QTY</b>	<b>DIMENSIONS/NOTES</b>
		<small>DWG. 59470500 SHT 1</small>		
720	58884644	72" Standard Carriage (Effective with S/N 147815)	1	
-	59492702	72" Standard Carriage (Prior to S/N 147815)	1	
721	58793183	72" Load Arm	1	
722	59451815	Plate	2	
723	95919239	H.H.C.S.	4	3/8 - 16 x 1.25
724	95931432	Washer, Lock	4	3/8
725	N.S.S.	Nameplate Decal	1	
726	95921599	Screw	2	#4 x 0.250
660	58883935	72" Quick Attach Carriage (Effective with S/N 147815)	1	
-	59492900	72" Quick Attach Carriage (Prior to S/N 147815)	1	
661	58793183	72" Load Arm	1	
662	59451815	Plate	2	
663	95919239	H.H.C.S.	4	3/8 - 16 x 1.25
664	95931432	Washer, Lock	4	3/8
665	N.S.S.	Nameplate Decal	1	
666	95921599	Screw	2	#4 x 0.250
660	58850496	72 " Quick Attach Side Tilt Carriage	1	
661	58793183	72" Load Arm	1	
662	59451815	Plate	2	
663	95919239	H.H.C.S.	4	3/8 - 16 x 1.25
664	95931432	Washer, Lock	4	3/8
665	N.S.S.	Nameplate Decal	1	
666	95921599	Screw	2	#4 x 0.250
860	58882028	1.3 Cubic Yard Quick Attach Bucket	1	
861	N.S.S.	Nameplate Decal	1	
862	95921599	Screw	2	#4 x 0.250

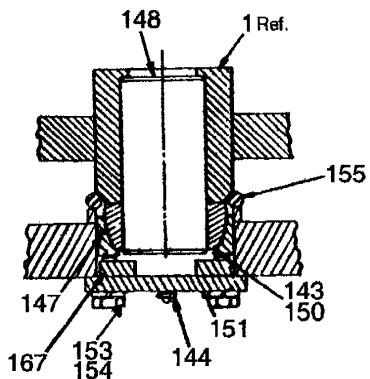
BOOM AND CARRIAGE ASSEMBLY (SHEET 3 OF 5)



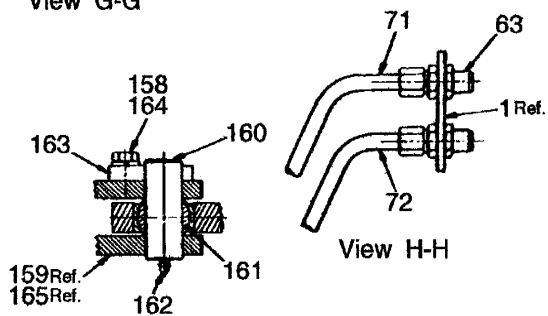
View F-F



View G-G



View J-J



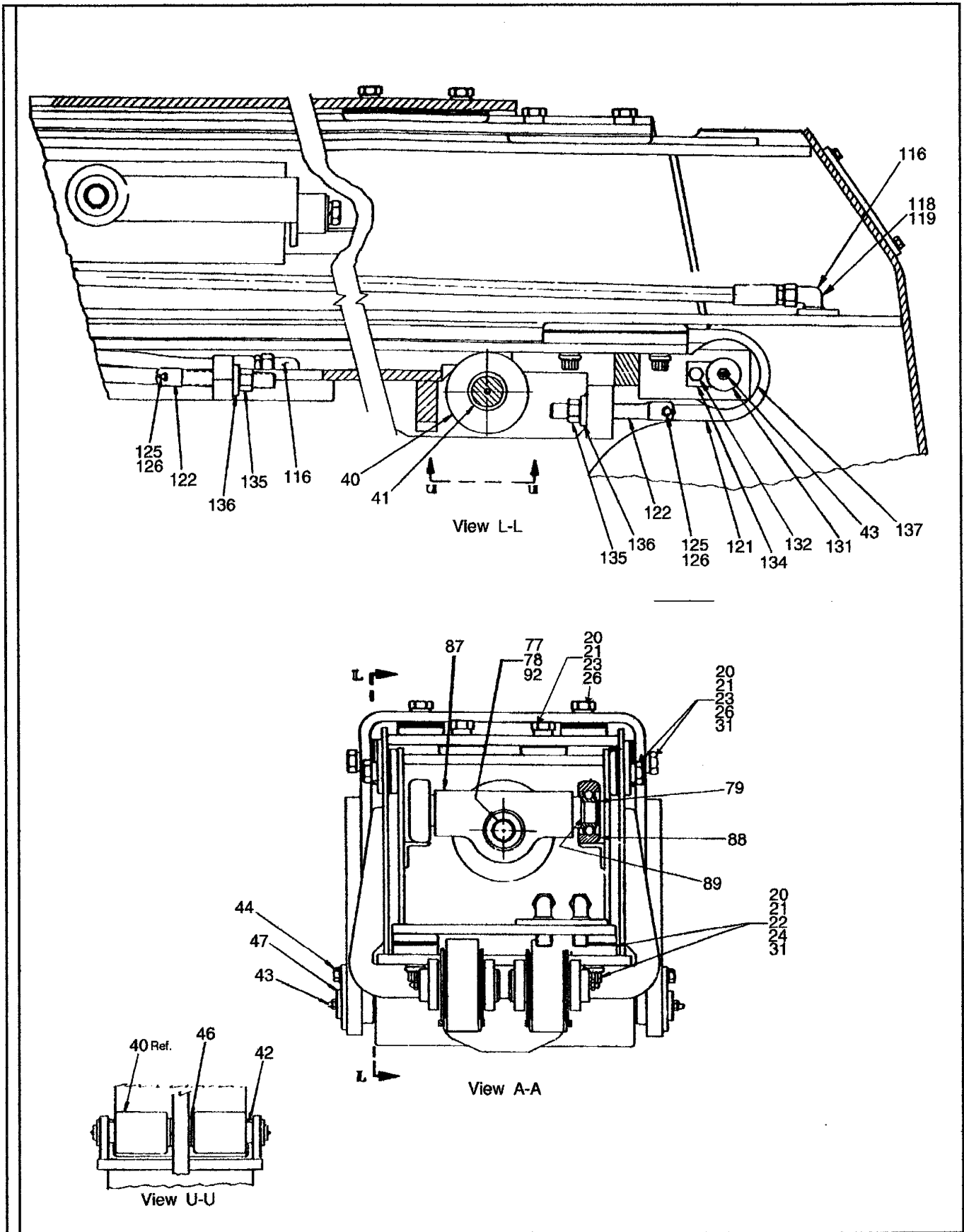
View K-K

View H-H

BOOM AND CARRIAGE ASSEMBLY (SHEET 3 OF 5)

ITEM	COMM. NO.	DESCRIPTION	QTY	DIMENSIONS/NOTES
		DWG. 59470500 SHT 2		
10	59451450	Cover, Boom	1	
11	59462796	Screw, Lock	4	3/8 - 16 x 0.750
30	95201547	Fitting, Grease	8	
69	95364964	Union	2	
71	59452268	Tube Assembly	1	
72	59452250	Tube Assembly	1	
73	59455105	Clamp	6	
74	59451310	Plate	3	
75	95931408	Washer, Lock	3	5/16
76	59918573	Lock Nut	3	5/16 - 18
<b>140</b>	<b>59450577</b>	<b>Cylinder, Boom</b>	<b>2</b>	<b>See Breakdown-I.25</b>
141	59455568	Rod End	2	
142	59450486	Bushing	4	
143	59451385	Pin Wldt	4	
145	59456293	Screw	8	
147	50268242	Bearing	2	
148	59454884	Pin	2	
149	59454876	Thrust Washer	6	
150	59450536	Thrust Washer	5	
151	59451336	Plate Keeper	2	
153	95919817	H.H.C.S.	8	5/8 - 11 x 1.750
154	95931242	Washer, Lock	8	5/8
155	59465294	Ring Seal	2	
156	95919627	H.H.C.S.	2	1/2 - 13 x 2.750
157	59327866	Hex Nut	4	1/2 - 13
158	95931226	Lock Washer	8	1/2
<b>159</b>	<b>59450049</b>	<b>Cylinder, Compensating</b>	<b>2</b>	<b>See Breakdown-I.26</b>
160	59455030	Pin	4	
161	59450528	Bushing	4	
162	95335311	Fitting, Grease	4	
163	59455154	Anchor	4	
164	95919551	H.H.C.S.	4	1/2 - 13 x 1.250
165	59455022	Rod End	2	
166	95919601	H.H.C.S.	2	1/2 - 13 x 2.250
167	59452888	Spacer	2	
168	59491480	Ear Repair Kit	A/R	

BOOM AND CARRIAGE ASSEMBLY (SHEET 4 OF 5)



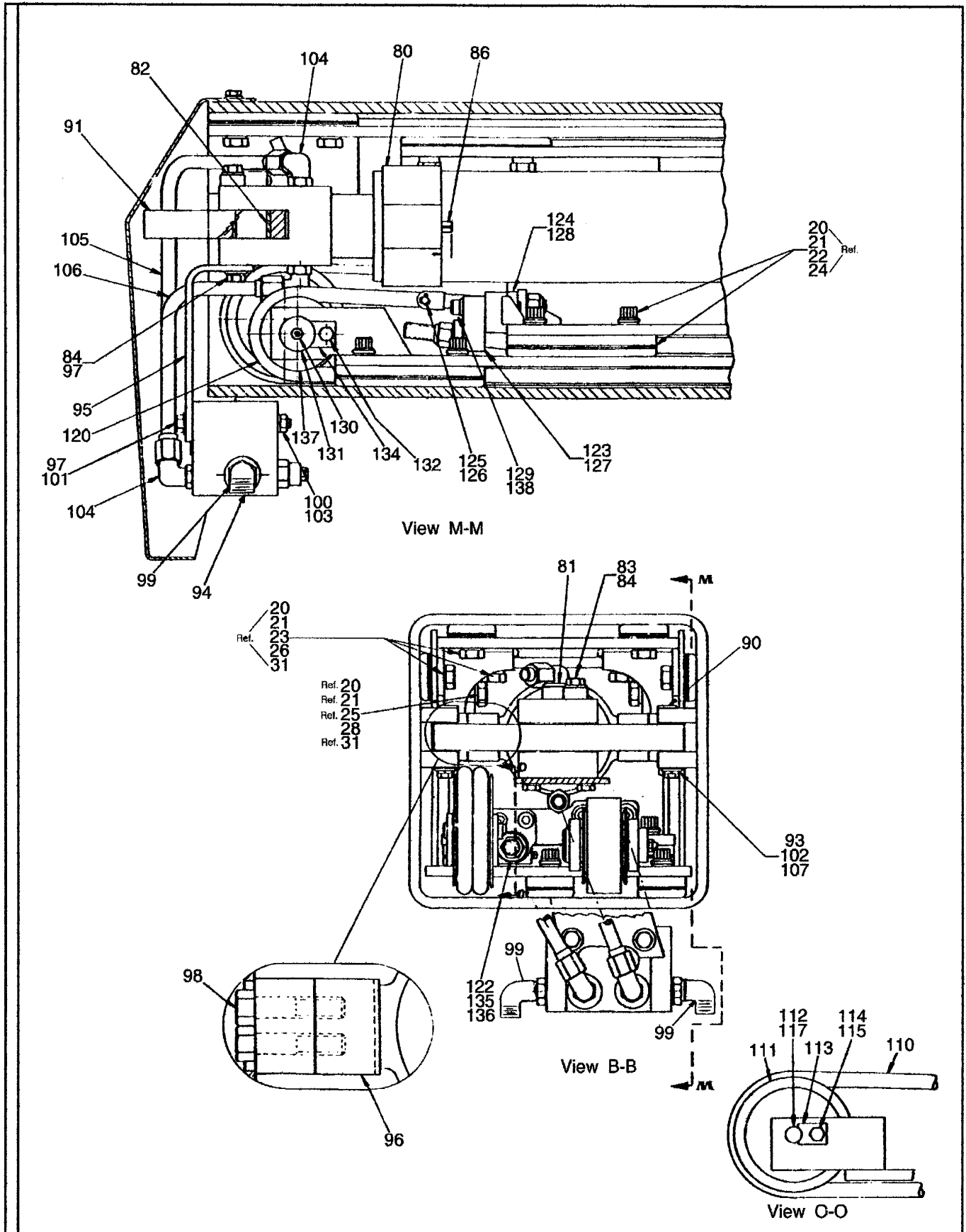
VR-90B

G.1.10

**BOOM AND CARRIAGE ASSEMBLY (SHEET 4 OF 5)**

<b>ITEM</b>	<b>COMM. NO.</b>	<b>DESCRIPTION</b>	<b>QTY</b>	<b>DIMENSIONS/NOTES</b>
		<small>DWG. 59470500 SHEET 3</small>		
20	59451468	Wear Shoe	22	
21	59454413	Shim	40	1/16
22	59454421	Shim	6	1/2
23	59454827	Collar, Compression	28	0.920 lg.
24	59454835	Collar, Compression	12	1.170 lg.
26	95920906	H.H.C.S.	28	5/8 - 18 x 1.250
31	59454439	Shim	10	1/32
40	59451427	Roller	2	
41	59455584	Bushing	4	
42	59451633	Spacer	2	
43	95201547	Grease Fitting	5	
44	59456293	Flange Screw	4	
46	95922803	Washer	1	1 3/8
47	59451435	Pin, Locking	2	
77	95922274	Washer	1	5/8
78	95931242	Washer, Lock	1	5/8
79	95207593	Snap Ring	2	
87	59451666	Support, Roller	1	
88	59455923	Roller	2	
89	59462887	Washer	8	
92	95920906	H.H.C.S.	1	5/8 - 18 x 1.250
116	95278966	Adapter	2	
118	95364964	Union	2	
119	95302121	Elbow	2	
121	59450551	Leaf Chain	2	
122	59450460	Chain Anchor	6	
125	59455733	Pin Chain	6	
126	95924007	Cotter Pin	6	3/32 x 1.0
131	59455980	Pin	3	
132	59456293	Screw	3	
134	59451344	Keeper	3	
135	59456178	Nut, Self Aligning	6	
136	59462895	Base Ring	6	
137	59451351	Sheave Assembly	2	
-	59454819	-Sheave Chain	3	
-	59461962	-Ring, Snap	6	
-	59454603	-Washer, Lock	3	

BOOM AND CARRIAGE ASSEMBLY (SHEET 5 OF 5)





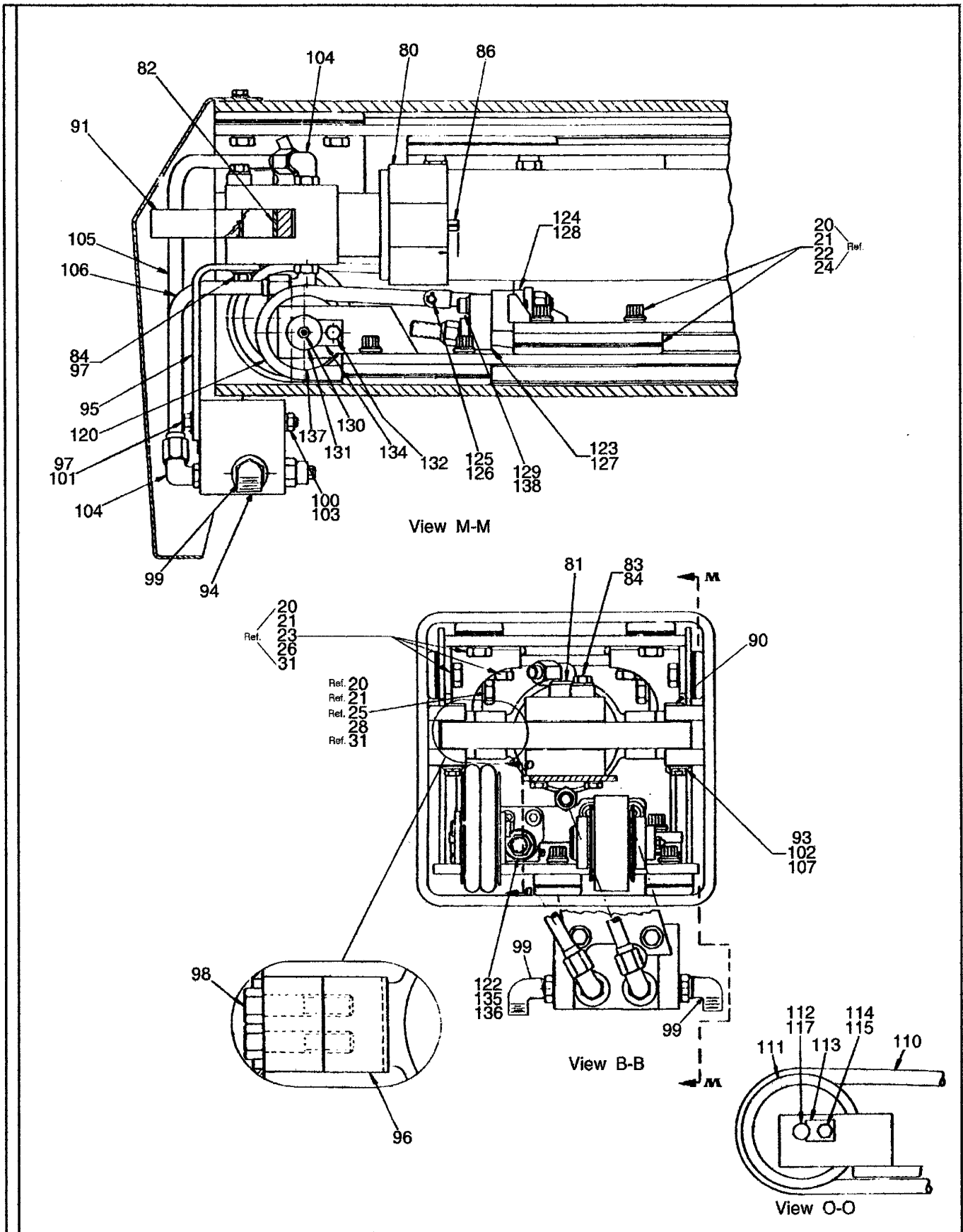
BOOM AND CARRIAGE ASSEMBLY (SHEET 5 OF 5 )

ITEM	COMM. NO.	DESCRIPTION	QTY	DIMENSIONS/NOTES
		DWG. 59470500 SHT 3		
28	95920922	H.H.C.S.	4	5/8 - 18 x 1.750
<b>80</b>	<b>59450056</b>	<b>Crowd Cylinder</b>	<b>1</b>	<b>See Breakdown-I,28</b>
81	59454801	Pin	1	
82	59455204	Bushing	1	
83	59455402	Anchor	1	
84	59463745	Flange Screw	3	
86	95246088	Pin, Roll	2	1/2 x 1 1/2
90	59451641	Block	2	
91	59451484	Plate, Cylinder	1	
93	95919197	H.H.C.S.	2	3/8 - 16 x 0.750
94	59455907	Motor Control Valve	1	
-	59480202	-Cartridge	1	
-	59480210	-Seal Kit	1	
95	59494336	Plate, Valve Mounting	1	
96	59451443	Block	2	
97	95922399	Washer, Flat	4	1/2
98	95919593	H.H.C.S.	6	1/2 - 13 x 2.0
99	95376141	Adapter	2	
100	59327858	Hex Nut	2	7/16 - 14
101	95919502	H.H.C.S.	2	7/16 - 14 x 5.0
102	95922233	Washer Flat	2	3/8
103	95931457	Washer, Lock	2	7/16
104	95303343	Adapter	4	
105	59096685	Tube Assembly (Effective with S/N 150307)	1	
-	59493148	Tube Assembly (Prior to S/N 150307)	1	
106	59493155	Tube Assembly	1	
107	95931432	Washer, Lock	2	3/8
110	59491233	Twin Hose	1	
111	59461988	Sheave Assembly	1	
-	59462069	-Sheave Hose	1	
-	95912671	-Bushing	1	
112	59456376	Pin	1	
113	59451393	Keeper	1	
114	95919171	H.H.C.S.	1	3/8 - 16 x 0.50
115	95931432	Lockwasher	1	3/8
116	95278966	Adapter	2	
117	59457580	Washer, Thrust	2	
120	59450544	Leaf Chain	1	
121	59450551	Leaf Chain	2	

VR-90B

G.1.13

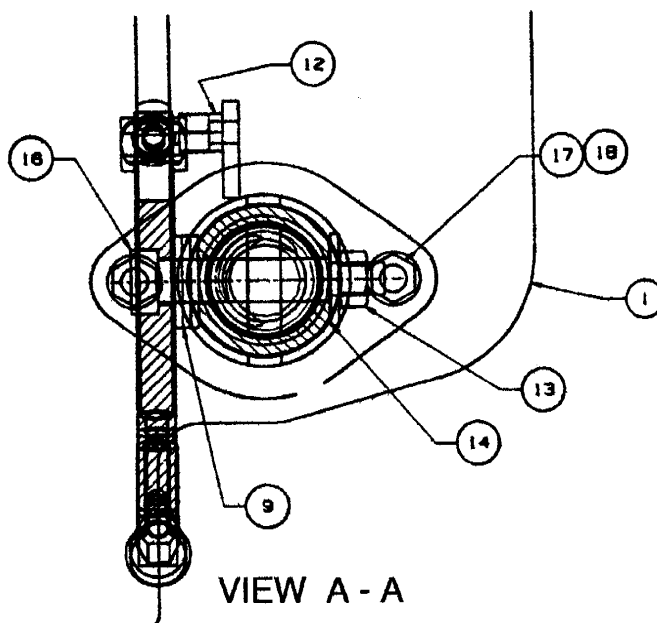
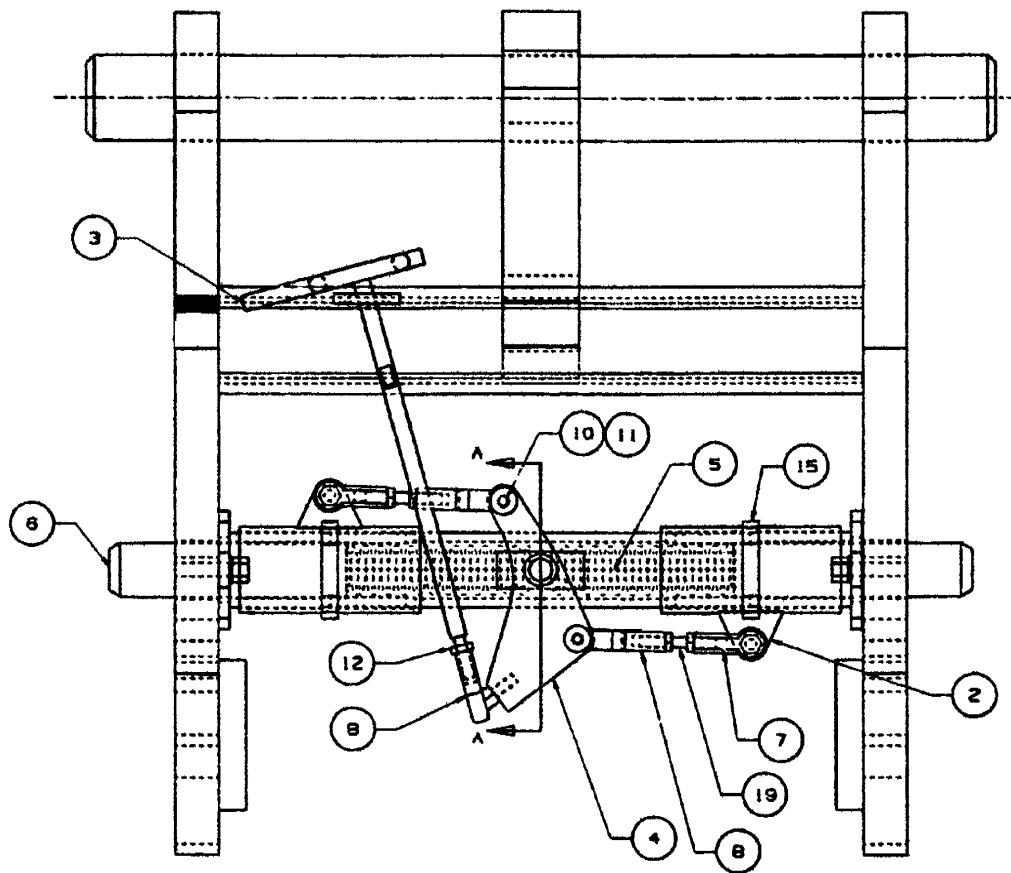
BOOM AND CARRIAGE ASSEMBLY (SHEET 5 OF 5) (Continued)



BOOM AND CARRIAGE ASSEMBLY (SHEET 5 OF 5 ) (Continued)

ITEM	COMM. NO.	DESCRIPTION	QTY	DIMENSIONS/NOTES
		DWG. 59470500 SBT 3		
122	59450460	Chain Anchor	6	
123	59451492	Plate Chain	1	
124	59451609	Plate	1	
125	59455733	Pin Chain	6	
126	95924007	Cotter Pin	6	3/32 x 1.0
127	59451617	Plate, Chain Anchor	1	
128	59453191	Plate	1	
129	95055067	H.H.C.S.	4	1/2 - 13 x 2.75
131	59455980	Pin	3	
132	59456293	Screw	3	
133	95931432	Washer, Lock	3	3/8
134	59451344	Keeper	3	
135	59456178	Nut, Self Aligning	6	
136	59462895	Base Ring	6	
137	59451351	Sheave Assembly	1	
-	59454819	-Sheave Chain	3	
-	59461962	-Ring, Snap	6	
-	59454603	-Washer, Lock	3	
138	95931226	Washer, Lock	4	1/2

# QUICK ATTACH APRON



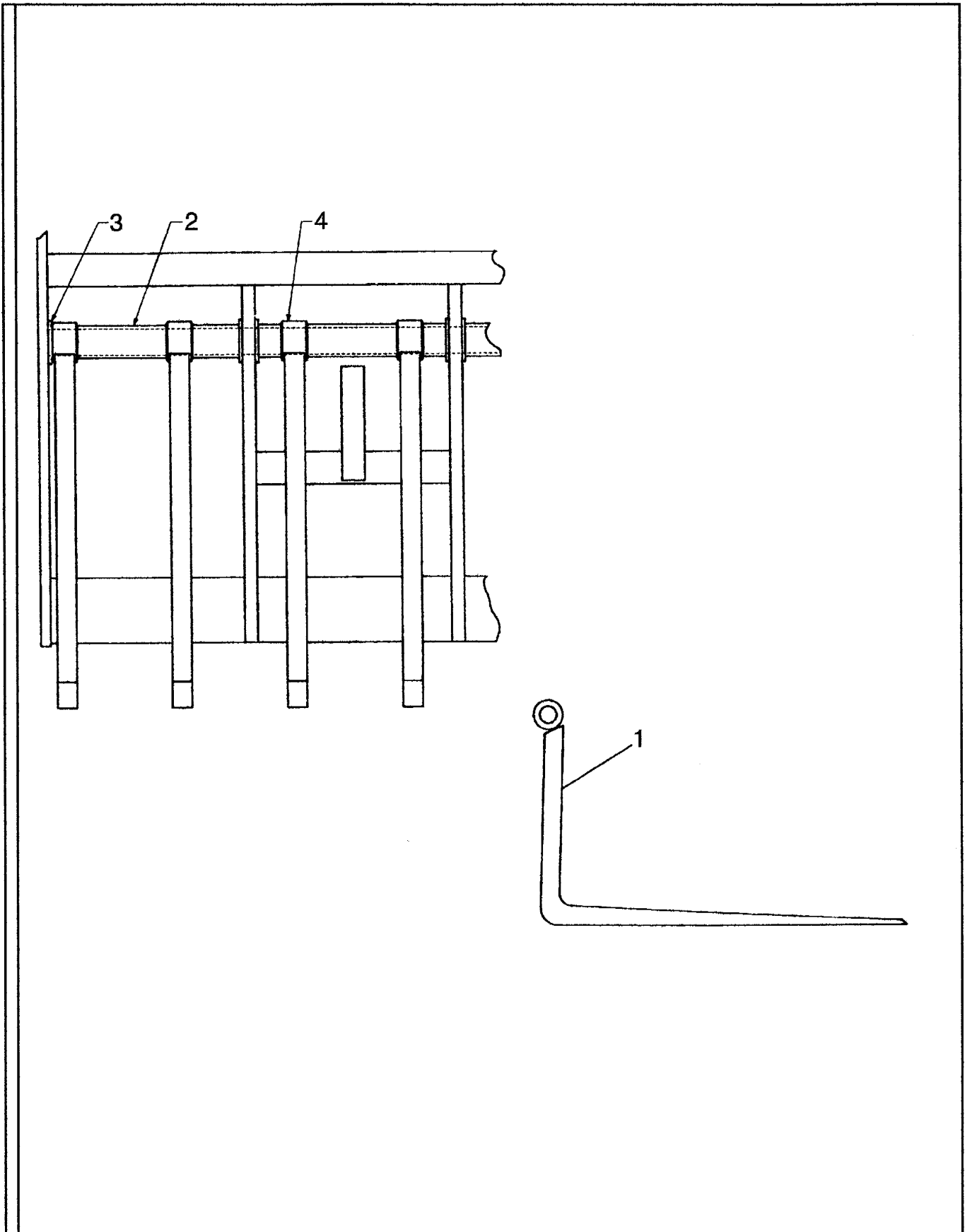
QUICK ATTACH APRON

ITEM	COMM. NO.	DESCRIPTION	QTY	DIMENSIONS/NOTES
		BOM 58847302		
1	59096701	Apron (Effective with S/N 150307)		
-	58850488	Apron (Prior to S/N 150307)	1	
2	58847005	Tube Assembly	1	
3	58846981	Handle	1	
4	58842261	Bell Crank	1	
5	58817610	Spring	2	
6	58846924	Pin	2	
7	59929059	Clevis	2	
8	59463786	Balljoint	3	
9	59539569	Washer, Hard	3	
10	95924049	Cotter Pin	2	
11	59726034	Clevis Pin	2	
12	95923058	Nut, Jam	5	
13	95923322	Locknut	3	
14	95922373	Washer, Flat	1	
15	95919296	Capscrew	2	
16	95234845	Bolt	1	
17	95931416	Washer, Lock	4	
18	95920443	Capscrew	4	
19	95923488	Stud	2	

VR-90B

G.2.3

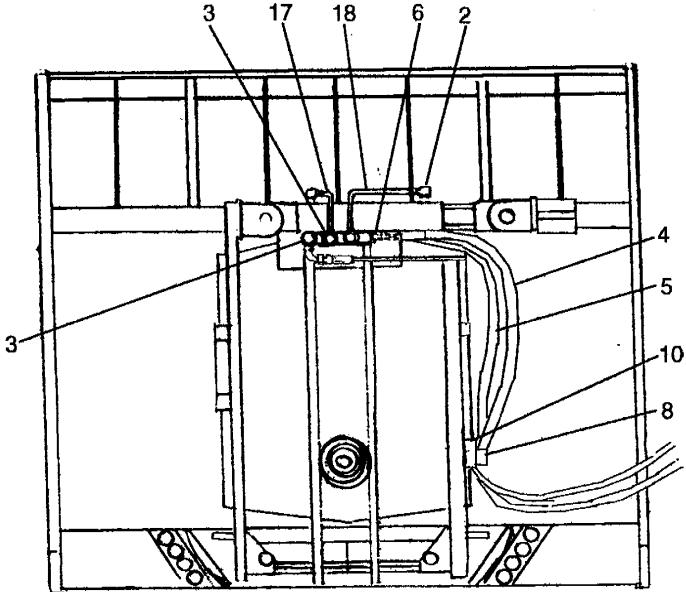
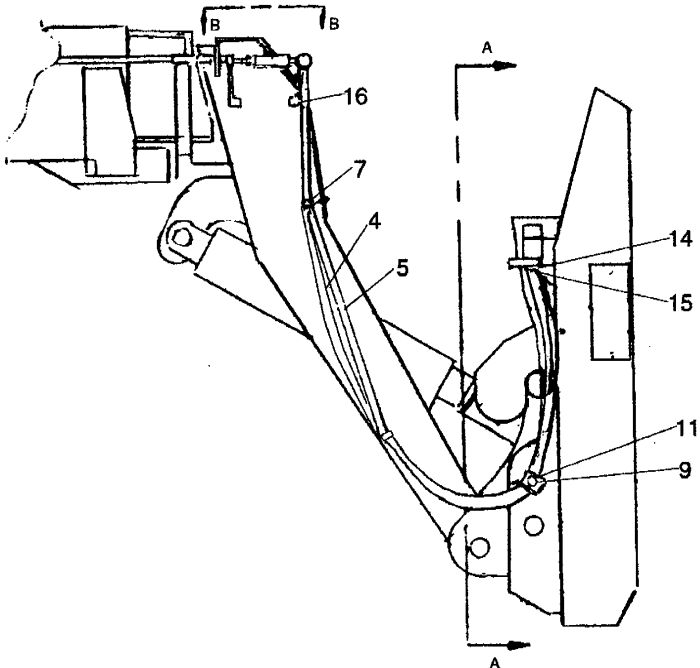
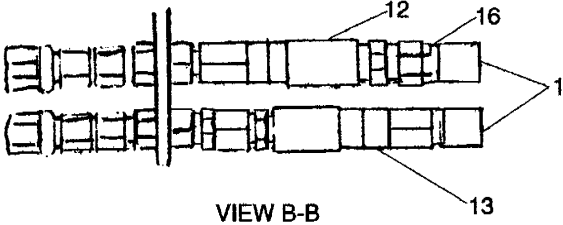
# FORKS



## FORKS

ITEM	COMM. NO.	DESCRIPTION	QTY	DIMENSIONS/NOTES
		<small>BOM 58857376</small>		
1	59450189	Fork, Pin-type	2	2 x 5 x 48
-	59463406	Fork, Pin-type	2	2 x 5 x 60
-	58793340	Fork, Pin-type	2	2 x 7 x 48
-	58793399	Fork, Pin-type	2	2 x 7 x 60
-	59491910	Fork, Pin-type	2	2 x 4 x 48
-	58977166	Fork, Pin-type	2	2 x 6 x 48
-	58977174	Fork, Pin-type	2	2 x 6 x 60
		<p><i>NOTE: The below listed parts are for block-type forks. Quantities shown are for 48" block-type carriages only. 60" block-type carriages use 3 each of item #2.</i></p>		
2	59493304	Spacer	2	
3	59491936	Washer	6	
4	59461152	Fork, Block-type	6	

CARRIAGE ROTATION PLUMBING

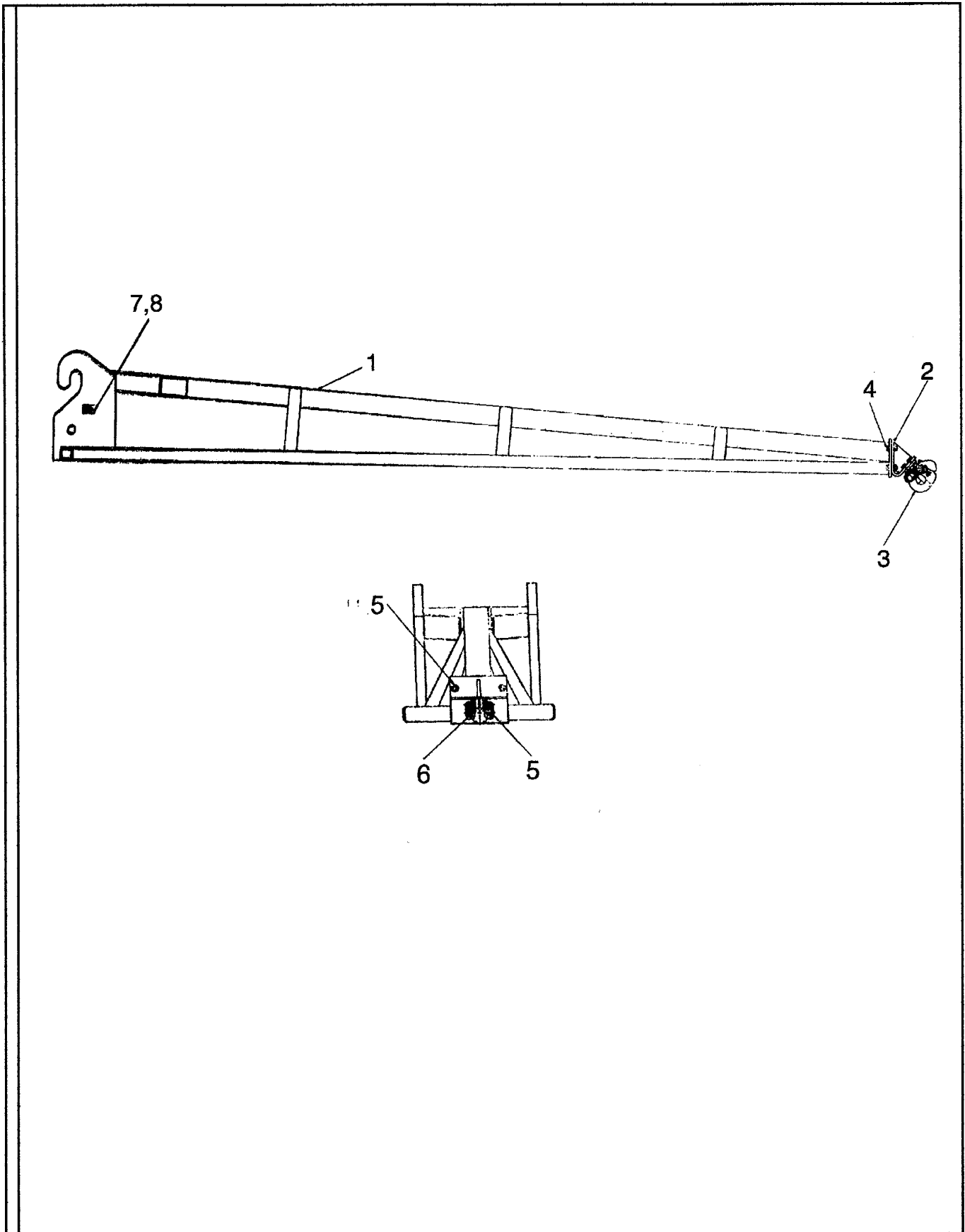




**CARRIAGE ROTATION PLUMBING**

<b>ITEM</b>	<b>COMM. NO.</b>	<b>DESCRIPTION</b>	<b>QTY</b>	<b>DIMENSIONS/NOTES</b>
		<small>BOM 5882796</small>		
1	95335980	Adapter	2	
2	95341665	Adapter	3	
3	95365094	Adapter	3	
4	58882804	Hose Assembly	1	
5	58882754	Hose Assembly	1	
6	95371258	Adapter	1	9/16 ORS - 7/16 JIC
7	95373973	Wire Tie	3	
8	59583468	Insert Clamp	2	
9	95920377	H.H.C.S.	1	1/4 - 20 x 1.0
10	13024765	Plate	1	
11	13024757	Cover	1	
12	59954818	Half Couplng	1	
13	59954826	Half Couplng	1	
14	58857095	Counterbalance Valve	1	
15	95920658	H.H.C.S.	2	1/4 - 20 x 1.50
16	59954834	Dust Cover	2	
17	58882770	Tube Assembly	1	
18	58882788	Tube Assembly	1	

# 15' TRUSS BOOM



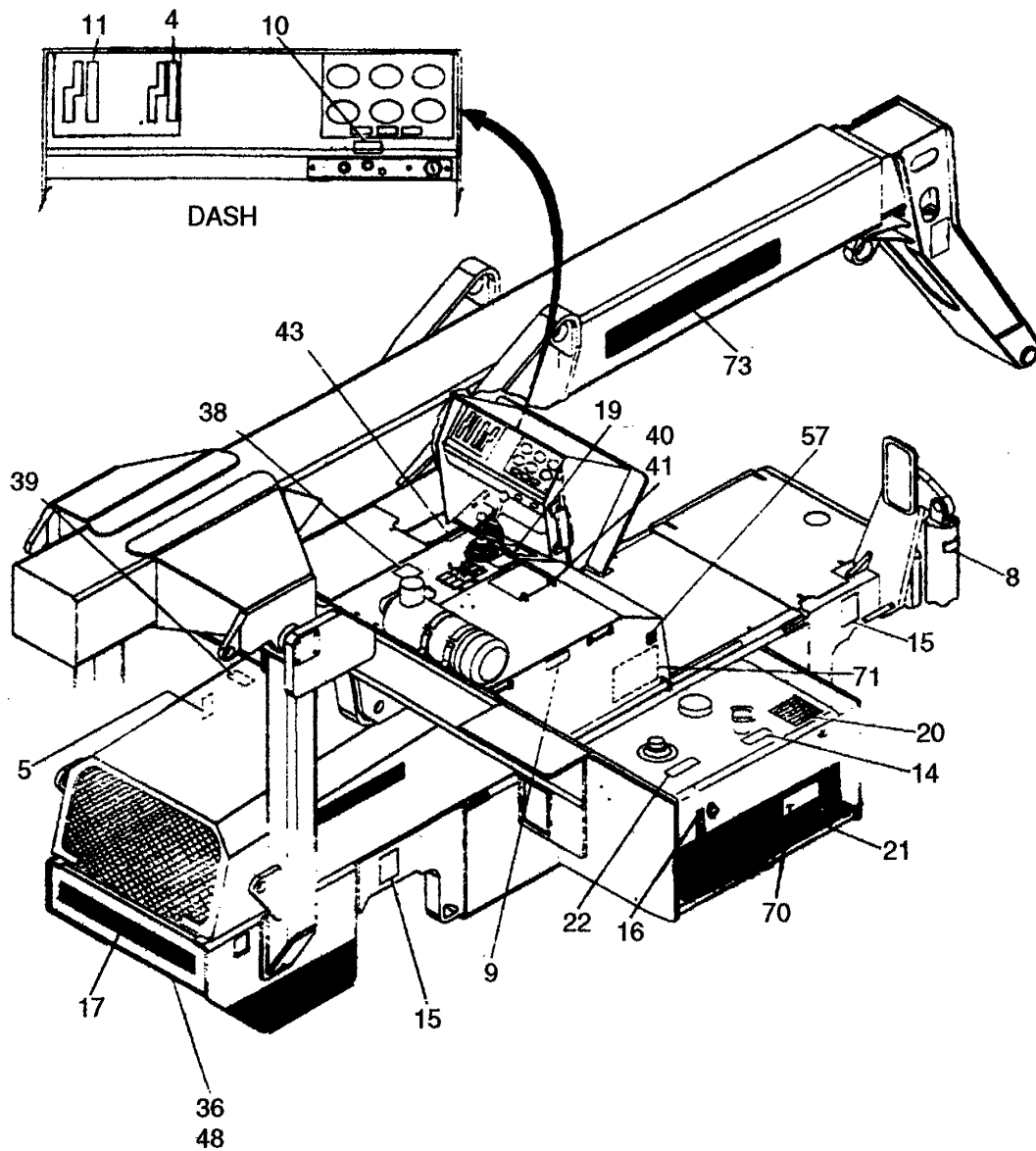
VR-90B

G.5.2

15' TRUSS BOOM

ITEM	COMM. NO.	DESCRIPTION	QTY	DIMENSIONS/NOTES
		<small>BOM 59001305</small>		
1	59000943	15' Truss Boom	1	
2	59001230	Pintle	1	
3	59001263	Pintle Hitch	1	
4	95919593	H.H.C.S.	8	1/2 - 13 x 2.0
5	59537266	Flat Washer, Hardened	16	.515 x 1.12 x .194
6	59327866	Hex Nut	8	1/2 - 13
7	58841214	Decal: Nameplate	1	
8	95921599	Screw, Round Head Self-tapping	2	#4 x 0.250

DECALS AND PAINT (EFFECTIVE WITH S/N 140073)



VR-90B

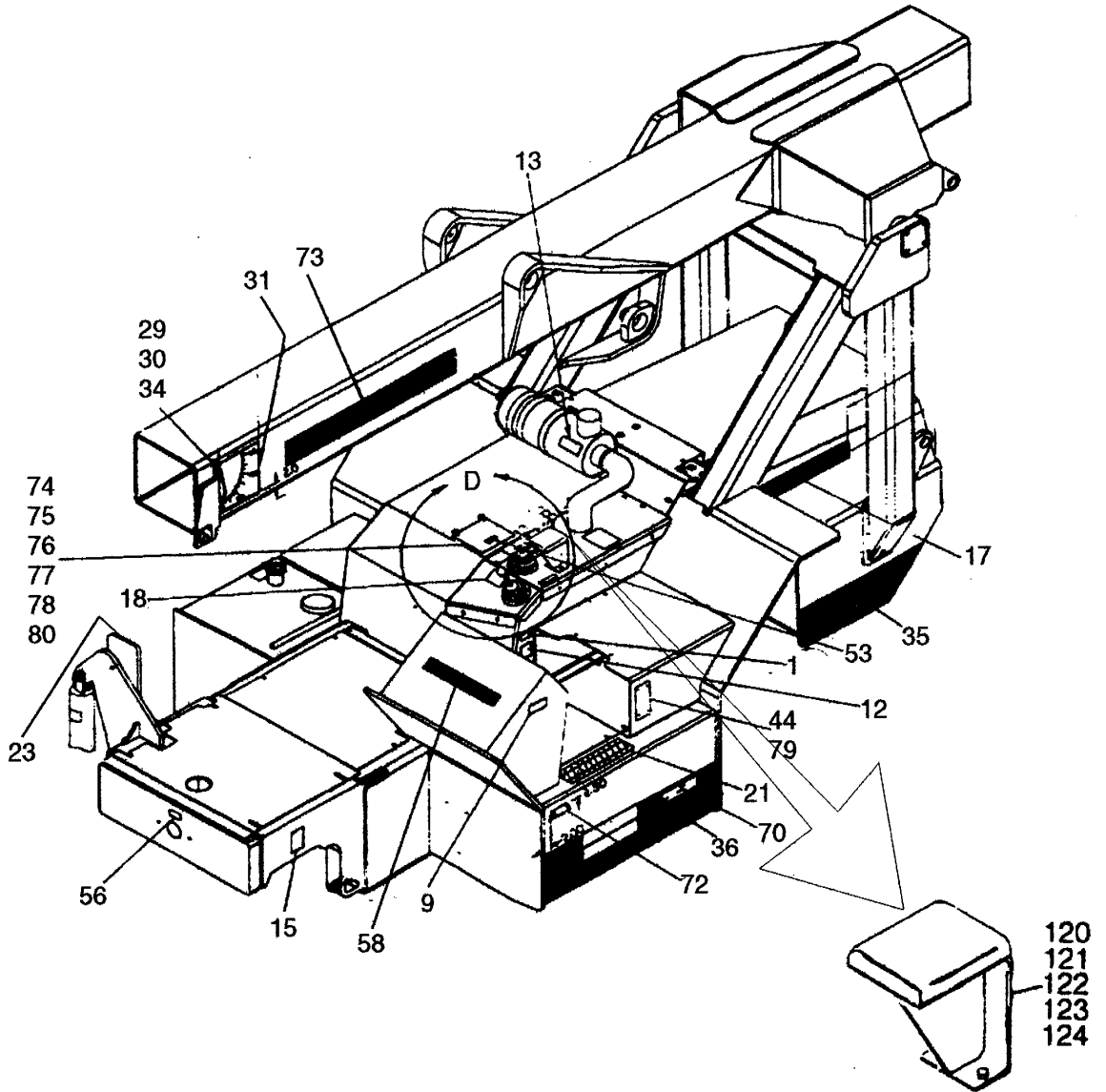
DECALS AND PAINT (EFFECTIVE WITH S/N 140073)

ITEM	COMM. NO.	DESCRIPTION	QTY	DIMENSIONS/NOTES
		BOM59083063		
1	59048934	Decal: OSHA	1	
4	59454728	Decal: Xmsn Shift	1	
5	58999103	Decal: Rotating	2	
8	59455097	Decal: Frame Tipping	1	
9	59048959	Decal: No Riders	2	
10	58850348	Decal: Speed Selector	1	Steering Selector
11	59454710	Decal: Forward & Reverse	1	
14	59731257	Decal: Fuel	1	
15	58965526	Decal: Crush Warning	4	
16	59795161	Decal: Fuel Level	1	
17	59050864	Decal: Signature	3	
19	58852096	Decal: Hyd Controls	1	
20	59468389	Safety Tread	1	
21	59468397	Safety Tread	4	
22	59615872	Decal: Hydraulic Oil	1	
36	59083089	Decal Stripe	1	13.5"
38	58965559	Decal: Electrical Hazard	1	
39	59020040	Decal: Pressure Hazard Warning	1	
40	58850975	U-Bolt	2	
41	59941682	Nut, Lock	4	1/4-20
43	59454769	Decal: Frame Level	1	
48	95920609	H.H.C.S.	1	1/4-20 x 1.25
57	59048967	Decal: Operation Warning	2	
70	59086579	Decal: VR-90B	2	
71	58850629	Decal: Servicing	1	
73	59050856	Decal: Signature	2	

VR-90B

H.1.3

DECALS AND PAINT (EFFECTIVE WITH S/N 140073)



VR-90B

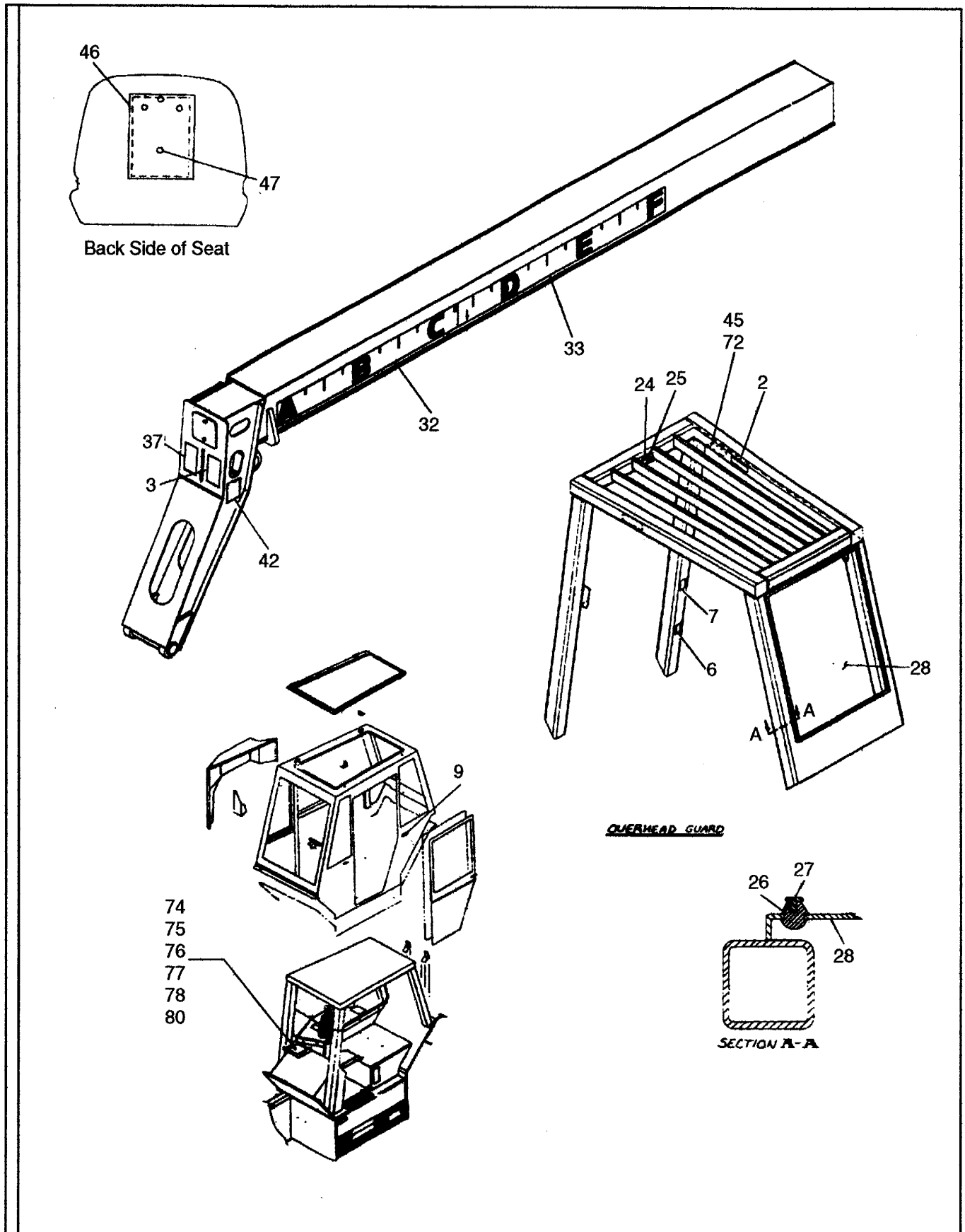
DECALS AND PAINT (EFFECTIVE WITH S/N 140073)

ITEM	COMM. NO.	DESCRIPTION	QTY	DIMENSIONS/NOTES
1	59048934	Decal: OSHA	1	
9	59048959	Decal: No Riders	2	
12	59048967	Decal: Operation Warning	1	
13	59048926	Decal: Unmetered Ether	1	
15	58965526	Decal: Crush Warning	4	
17	59050864	Decal: Signature	3	
18	58882630	Decal: Fork Controls	1	
21	59468397	Safety Tread	4	
23	59450734	Mirror	1	
29	58817990	Bearing	1	
30	58812173	Pointer	1	
31	58827155	Decal: Angle	1	
34	95365425	Screw	1	
35	59083071	Stripe 10.5"	1	
-	59051375	Bulk Stripe	12	
36	59083089	Decal Stripe 13.5"	1	
44	59579078	Pop Rivet	4	
53	58961624	Decal: Open Cover Plate	1	
56	59605915	Decal: Grease	1	
58	59050880	Decal: Signature	1	
70	59086579	Decal: VR-90B	2	
73	59050856	Decal: Signature	2	
74	58841248	Decal: Load Chart	1	
75	58963638	Decal: Load Chart	1	
76	58850280	Decal: Load Chart	1	
77	58850801	Decal: Loadchart	1	
78	58882929	Decal: Load Chart	1	
79	59117184	Nameplate Serial No. (Effective with S/N 149987)	1	
-	58827965	Nameplate Serial No. (Prior to S/N 149987)	1	
80	58882937	Decal: Load Chart	1	
120	59429464	Arm Rest	1	
121	59976548	Pad Control	1	
122	59998146	Screw, Lock	4	1/4-20 X.50
123	59965962	Screw, Lock	2	1/4-20 X.75
124	95923199	Nut, Lock	2	1/4-20

VR-90B

H.1.5

DECALS AND PAINT (EFFECTIVE WITH S/N 140073)

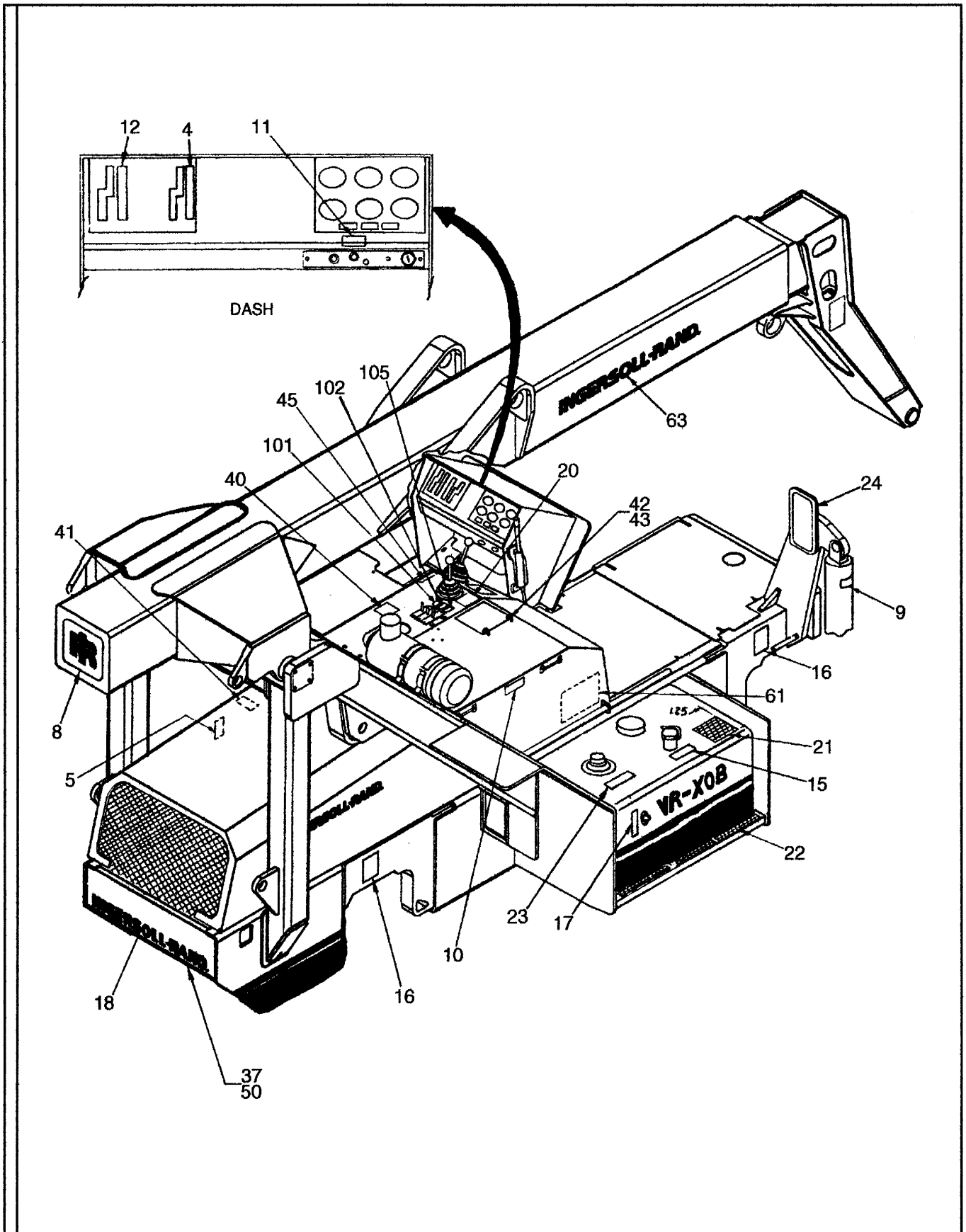




DECALS AND PAINT (EFFECTIVE WITH S/N 140073)

ITEM	COMM. NO.	DESCRIPTION	QTY	DIMENSIONS/NOTES
2	59012773	Decal: Rollover	2	
3	58965583	Decal: Falling Object	1	
6	59454744	Decal: Park Brk Off	1	
7	59680421	Decal: Brake On	1	
9	59048959	Decal: No Riders	2	
24	59462846	Level Guage	1	
25	59456210	Screw, Button Head	1	#10-32 X.625
26	59465278	Seal, Rear Glass	1	
27	59469270	Lock, Seal	7	
28	59456426	Glass Rear	1	
32	58812116	Decal: Boom Length	1	
33	58812108	Decal: Boom Length	1	
37	58965617	Decal: Falling Off	1	
42	58851551	Decal: Carriage Shift	2	
45	95921599	Screw	4	#4 X.250 Lg Rnd Hd
46	59491332	Info Case	1	
-	59496182	Manual Case	1	
-	58782392	Decal: Operators Manual	1	
47	59491357	Alum Rivet	4	
72	59472357	Decal: Guard Ser No	1	
74	58841248	Decal: Load Chart	1	
75	58963638	Decal: Load Chart	1	
76	58850280	Decal: Load Chart	1	
77	58850801	Decal: Load Chart	1	
78	58882929	Decal: Load Chart	1	
80	58882937	Decal: Load Chart	1	
**	59947507	Beige Paint	a/r	1 Gal
**	12977021	Black Paint, Semi-gloss	a/r	1 Gal
**	59506501	Black Paint, Abrasive	a/r	1 Gal
**	35304286	Beige Paint	a/r	Spray Can
**	58917550	Black Paint, Semi-gloss	a/r	Spray Can

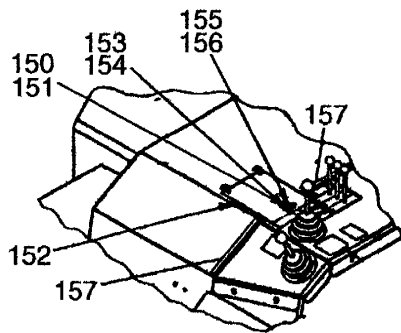
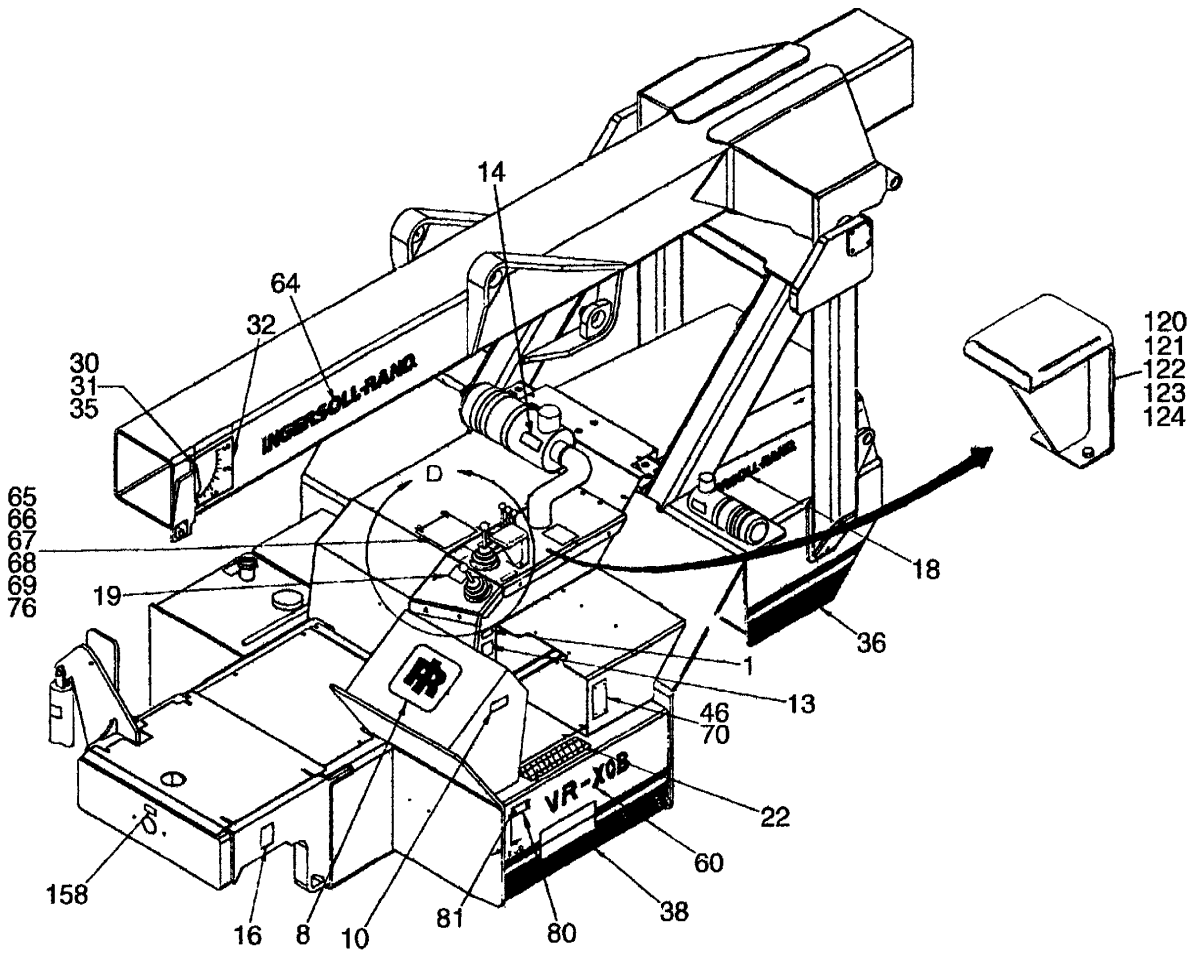
DECALS AND PAINT (PRIOR TO S/N 140073)



DECALS AND PAINT (PRIOR TO S/N 140073)

ITEM	COMM. NO.	DESCRIPTION	QTY	DIMENSIONS/NOTES
		BOM 5882317*		
4	59454728	Decal: Transmission Shift	1	
5	59491464	Decal: Danger - Rotating Fan and Belts	2	
8	58878976	Decal: I-R Corporate Monogram	2	
9	59455097	Decal: Warning F/L Disconnect	1	
10	59306340	Decal: Notice - No Riders	2	
11	58850348	Decal: Steering Selector	1	
12	59454710	Decal: Forward and Reverse	1	
15	59731257	Decal: Diesel Fuel	1	
16	59344192	Decal: Danger - Crush Area	4	
17	59795161	Decal: Fuel Level	1	
18	59878728	Decal: Ingersoll-Rand Logo	3	
20	58852096	Decal: Tilt Controls	1	
21	59468389	Safety Tread	1	
22	59468397	Safety Tread	4	
23	59615872	Decal: Warning - Fluid Under Pressure	1	
24	59450734	Mirror	1	
37	59409045	Stripe	1	
-	58782327	-Bulk Stripe	3	
40	59472365	Decal: Danger - Voltage Lines	1	
41	59326728	Decal: Caution - Hot and Pressurized	1	
42	58850975	U-Bolt	2	
43	59941682	Lock Nut	4	1/4 - 20
45	59454769	Decal: Warning - Frame Leveling Controls	1	
50	58899014	Bulk Stripe	2	
61	58850629	Decal: Lubechart	1	
63	59892109	Decal: Ingersoll-Rand Logo	1	
101	59457523	Decal: RH	1	
102	59457531	Decal: LH	1	
105	59456574	Decal: Hydraulic	1	
1	59455147	Decal: Nameplate	1	

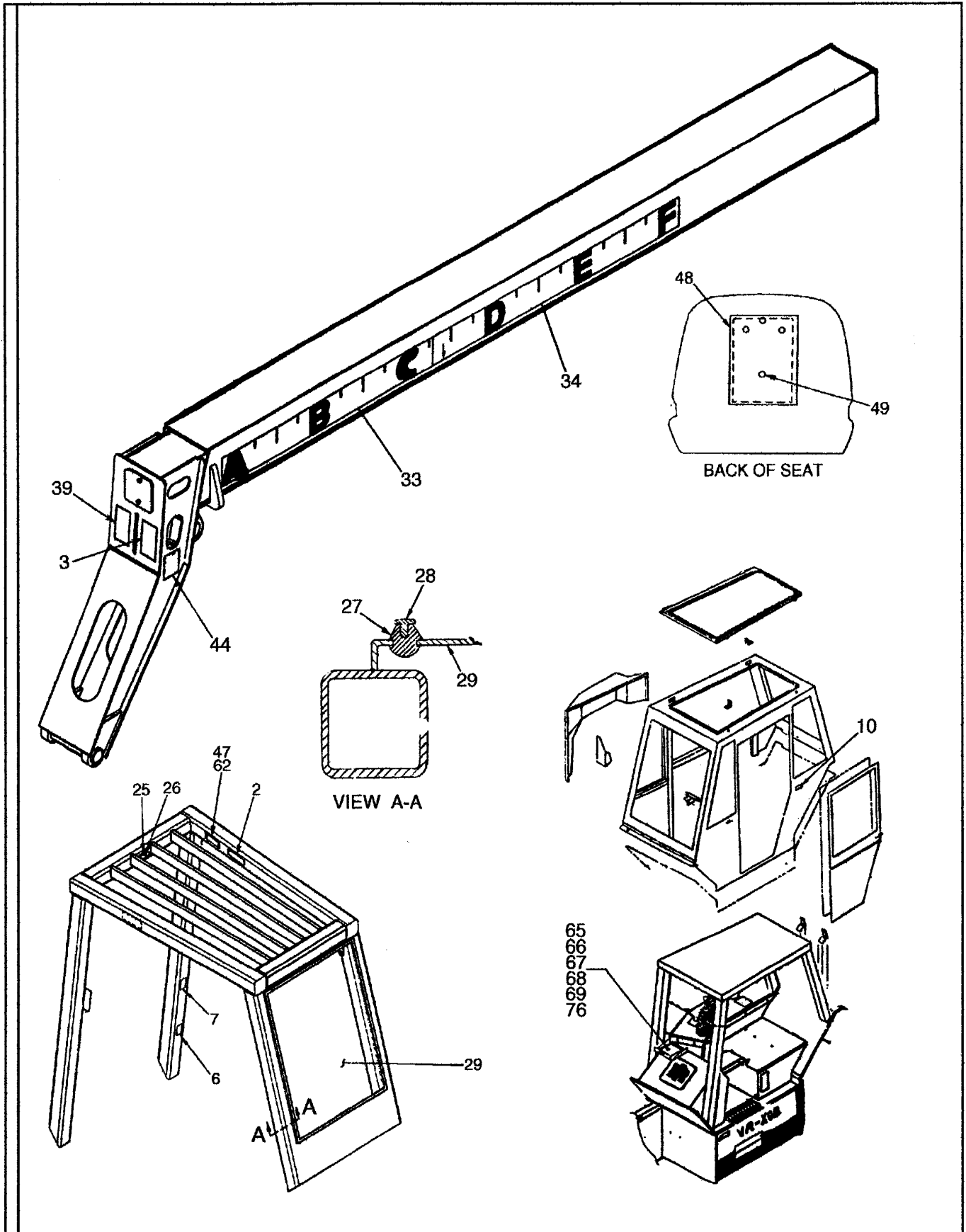
DECALS AND PAINT (PRIOR TO S/N 140073)



DECALS AND PAINT (PRIOR TO S/N 140073)

ITEM	COMM. NO.	DESCRIPTION	QTY	DIMENSIONS/NOTES
8	58878976	Decal: I-R Corporate Monogram	2	
10	59306340	Decal: Notice - No Riders	2	
13	58778796	Decal: Warning - Misoperation	1	
14	59455238	Decal: Warning - Starting Aid	1	
16	59344192	Decal: Danger - Crush Area	4	
18	59878728	Decal: Ingersoll-Rand Logo	3	
19	58882630	Decal: Fork Controls	1	
22	59468397	Safety Tread	4	
30	58817990	Bearing	1	
31	58812173	Pointer	1	
32	58827155	Decal: Angle	1	
35	95365425	Shoulder Screw	1	1/2 x 0.750
36	59409037	Stripe	2	
38	59409052	Stripe	2	
-	58782327	-Bulk Stripe	A/R	
46	59579078	Pop Rivet	4	
60	58811761	Decal: VR-90B	2	
64	59878710	Decal: Ingersoll-Rand Logo	1	
65	58841248	Decal: Load Chart	1	
66	58963638	Decal: Capacity Chart	1	
67	58850280	Decal: Load Chart	1	
68	58850801	Decal: Load Chart	1	
69	58882929	Decal: Load	1	
70	N.S.S.	Nameplate	1	
76	58882937	Decal: Load	1	
80	N.S.S.	Serial Number Plate	1	
81	N.S.S.	Screw	4	#4 x 0.250
120	59429464	Arm Rest	1	
121	59976548	Pad, Control	1	
122	59998146	Bolt, Lock	4	
123	59965962	Bolt, Lock	2	
124	95923199	Nut, Lock	2	
150	95920609	H.H.C.S.	1	1/4 - 20 x 1.250
151	95922936	Nut, Hex Jam	1	1/4 - 20
152	58961608	Cover	1	
153	95922183	Flat Washer	1	1/4
154	95924247	Wing Nut	1	1/4 - 20
155	58961624	Decal: Notice	1	
156	59634550	Bulk Rubber U-channel	2	
157	59000562	Tape	2	
-	59000638	-Bulk Tape	1	
158	59605915	Decal: Grease	1	
2	59455865	Decal: Danger - Rollover	2	

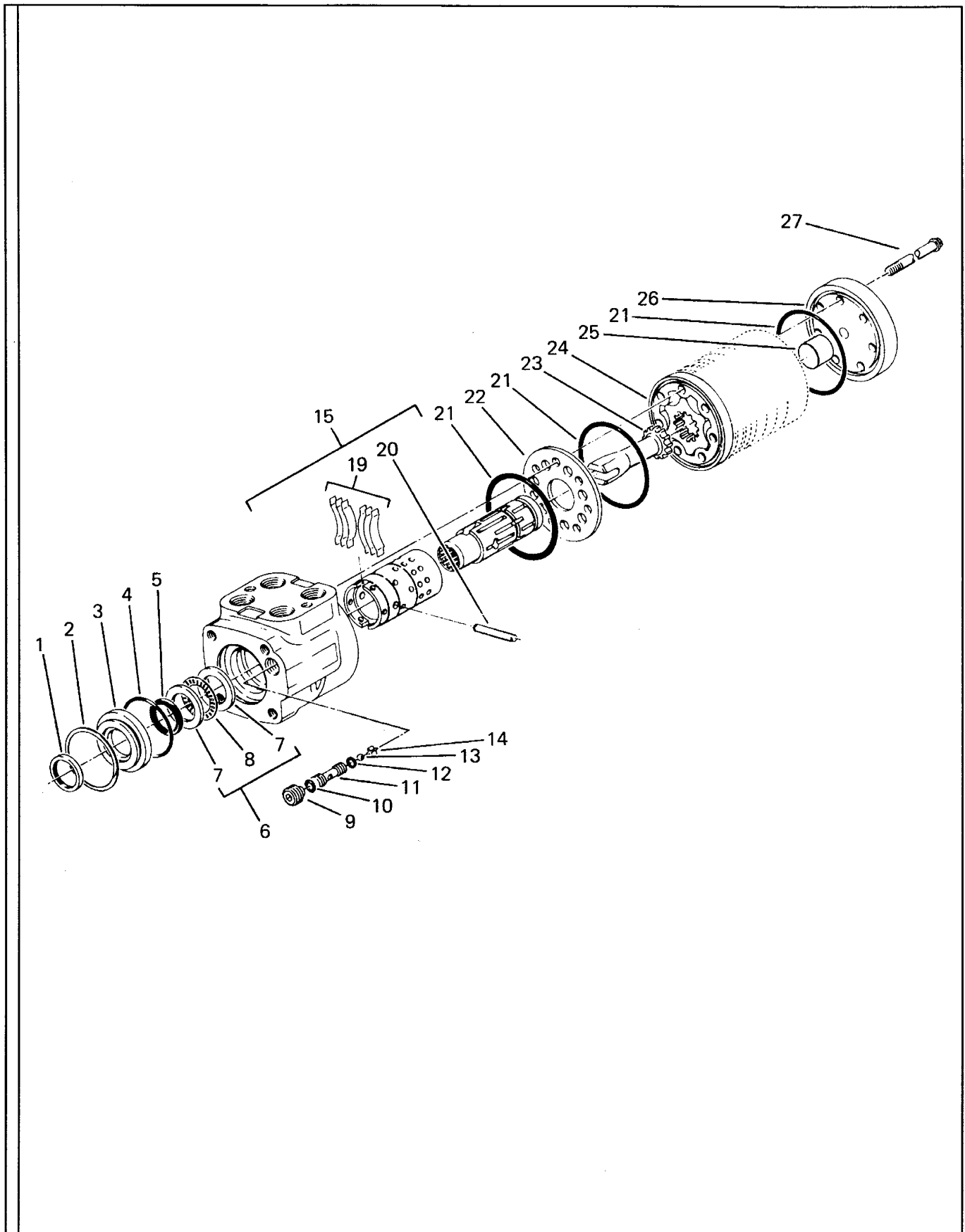
DECALS AND PAINT (PRIOR TO S/N 140073)



DECALS AND PAINT (PRIOR TO S/N 140073)

ITEM	COMM. NO.	DESCRIPTION	QTY	DIMENSIONS/NOTES
3	59969980	Decal: Do Not Stand Under Forks	1	
6	59454744	Decal: Parking Brake	1	
7	59680421	Decal: Brake On	1	
10	59306340	Decal: Notice - No Riders	2	
25	59455642	Level Gauge	1	
26	59456210	Button Head Socket Capscrew	1	#10 - 32 x 0.625
27	59465278	Rear Window Seal	1	
28	59469270	Lock Seal Bulk	7	
29	59456426	Glass Rear	1	
33	58812116	Decal: Boom Length (Front)	1	
34	58812108	Decal: Boom Length (Rear)	1	
39	59969972	Decal: Warning - Do Not Stand On Forks	1	
44	58851551	Decal: Warning - Carriage Shifting	2	
47	95921599	Screw	4	#4 x 0.250
48	59491332	Information Case	1	
-	59496182	-Manual Case	1	
-	58782392	-Decal: Operator's Manual	1	
49	59491357	Aluminum Rivet	4	
62	59472357	Decal: Test	1	
65	58841248	Decal: Load Chart	1	
66	58963638	Decal: Capacity Chart	1	
67	58850280	Decal: Load Chart	1	
68	58850801	Decal: Load Chart	1	
69	58882929	Decal: Load	1	
76	58882937	Decal: Load	1	
**	59947507	Beige Paint	a/r	1 Gal
**	12977021	Black Paint, Semi-gloss	a/r	1 Gal
**	59506501	Black Paint, Abrasive	a/r	1 Gal
**	35304286	Beige Paint	a/r	Spray Can
**	58917550	Black Paint, Semi-gloss	a/r	Spray Can

# HAND PUMP AND STEERING COLUMN (59455535) - INTERNAL BREAKDOWN

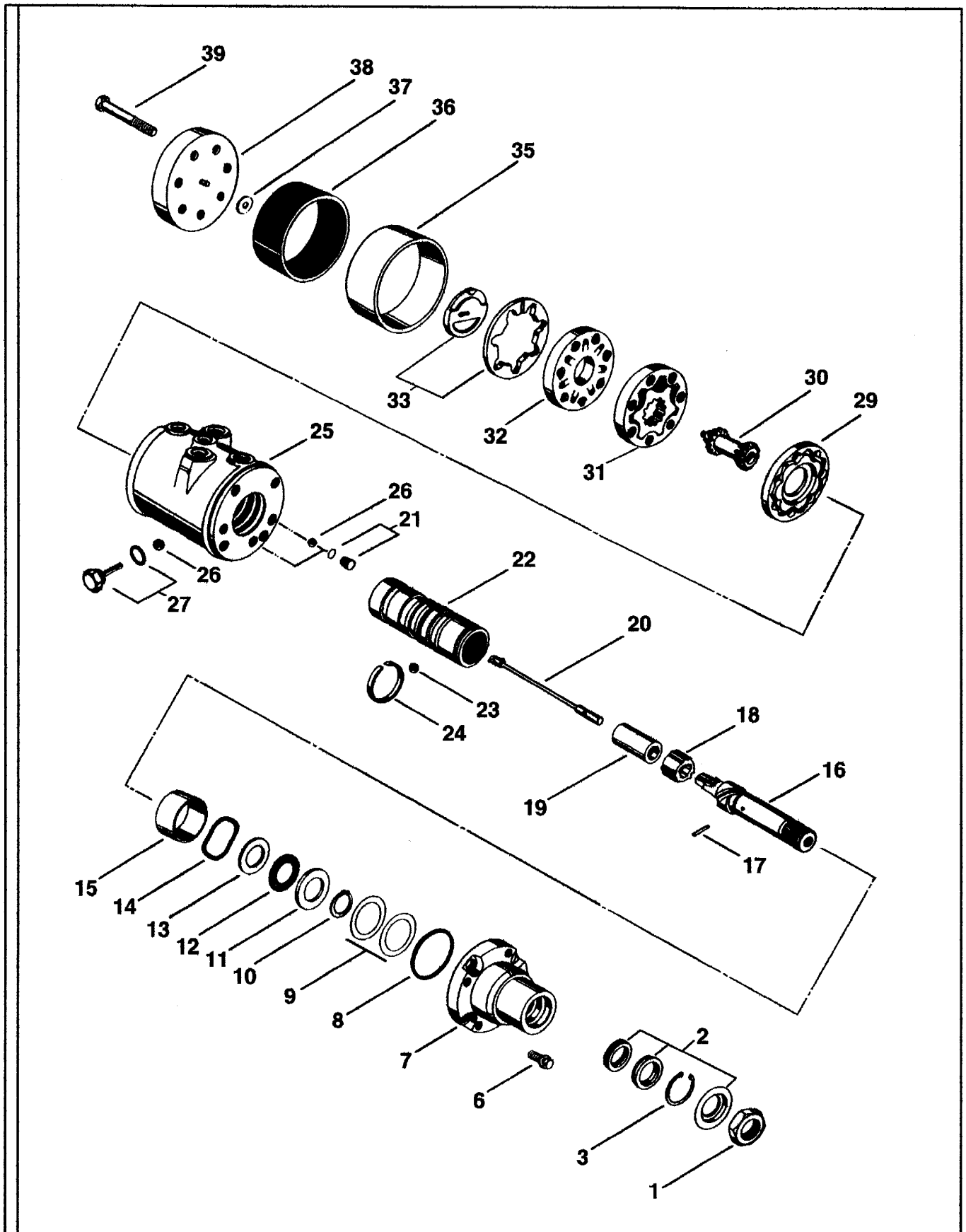




HAND PUMP AND STEERING COLUMN (59455535) - INTERNAL BREAKDOWN

ITEM	COMM. NO.	DESCRIPTION	QTY	DIMENSIONS/NOTES
		BOM 59455535		
1	N.S.S.	-Seal (1.0 ID)	1	Included in Seal Kit
2	59596544	-Ring, Retaining	1	
3	59596551	-Bushing, Seal Gland	1	
4	N.S.S.	-Seal (1.875 ID)	1	Included in Seal Kit
5	N.S.S.	-Seal, Quad Ring (1.063 ID)	1	Included in Seal Kit
6	59596577	-Needle Bearing Kit (Contains items 7 and 8)	1	
7	N.S.S.	-Race, Bearing	2	
8	N.S.S.	-Bearing, Needle Thrust	1	
9	59596585	-Screw, Set	1	
10	N.S.S.	-Seal (.375 ID)	1	Included in Seal Kit
11	59596593	-Seat, Check Ball	1	
12	N.S.S.	-Seal (.312 ID)	1	Included in Seal Kit
13	59596601	-Ball, Check	1	
14	59596619	-Retainer, Check Ball	1	
15	50916857	-Control Parts Assembly (Contains items 1 thru 20)	1	
19	59393389	-Centering Spring Kit (6 Springs)	1	
20	50806496	-Pin, Centering	1	
21	N.S.S.	-Seal	3	Included in Seal Kit
22	59596635	-Plate, Spacer	1	
23	50280403	-Drive	1	
24	59480608	-Gerotor	1	
25	59518670	-Spacer	1	
26	59596668	-Cap, End	1	
27	59480616	-Screw, Cap	7	
**	59596569	-Seal Kit (Comprised of items 1,4,5,10,12 and 21)	1	

# HAND PUMP AND STEERING COLUMN (59001354) - INTERNAL BREAKDOWN

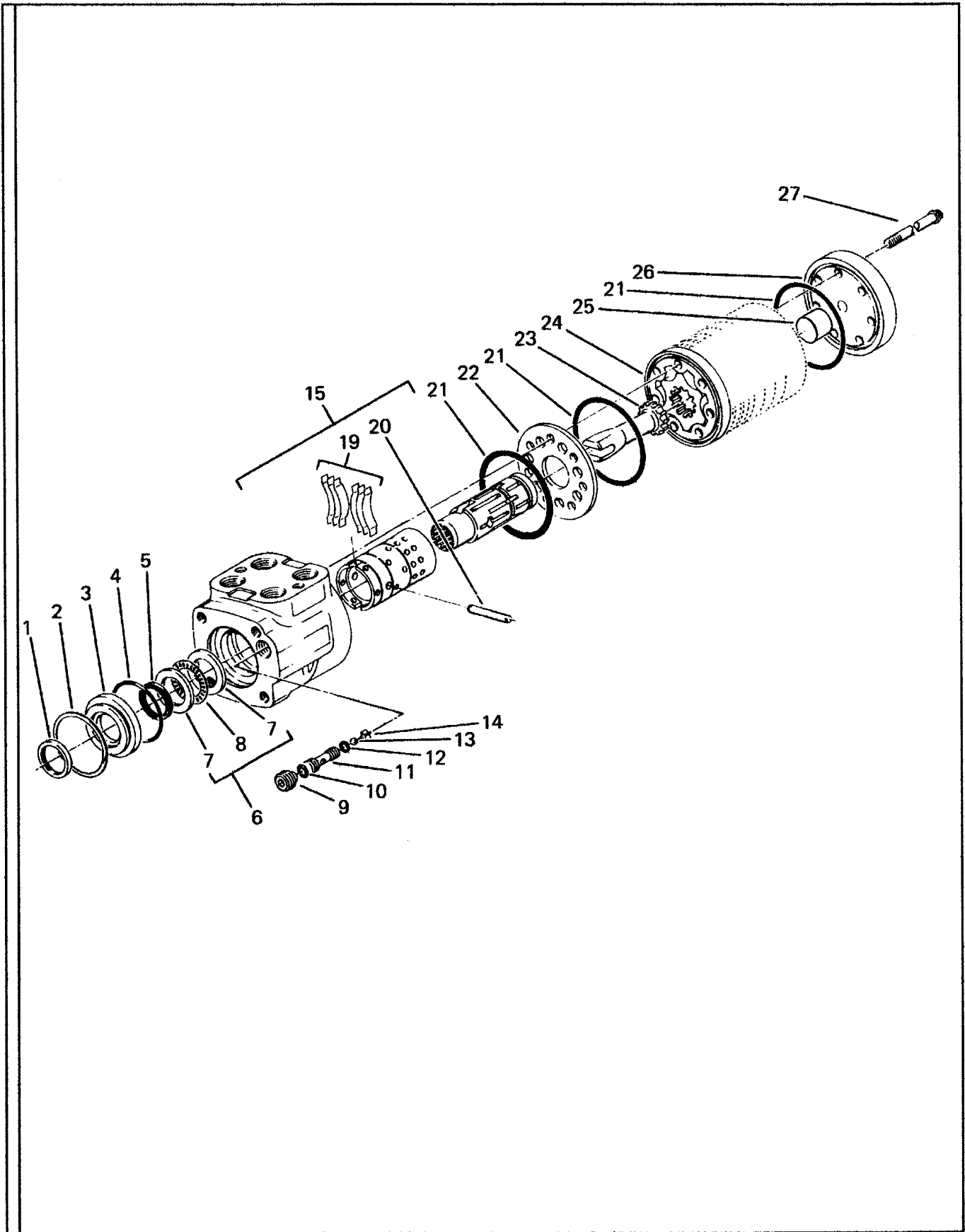


VR-90B

HAND PUMP AND STEERING COLUMN (59001354) - INTERNAL BREAKDOWN

ITEM	COMM. NO.	DESCRIPTION	QTY	DIMENSIONS/NOTES
		BOM 59455873		
1	59752394	Wheel Nut	1	
2	59752634	Seal Kit	1	
3	59725267	Snap Ring	1	
6	59050583	Screw	4	
7	59050591	Upper Cover	1	
8	59049023	Seal	1	
9	59049031	Shim Kit	1	
10	59752451	Snap Ring	1	
11	59752501	Thrust Washer	1	
12	59725135	Thrust Bearing	1	
13	59725143	Thrust Washer	1	
14	59752519	Spring Washer	1	
15	59752543	Spacer Washer	1	
16	59752386	Wheel Mount Shaft	1	
17	59752444	Needle Roller	1	
18	59752428	Drive Ring	1	
19	59051425	Spacer	1	
20	59051417	Torsion Bar	1	
21	59049049	Plug & O-Ring	1	
22	N.S.S.	Spool	1	
23	59752527	Ball	1	15/16
24	59752535	Spring Kit	1	
25	N.S.S.	Housing	1	
26	59752352	Ball	1	1/4
27	58951047	Plug Assembly	1	
29	59752568	Spacer	1	
30	58966615	Drive Link	1	
31	59049064	Rotor Set	1	
32	59752584	Manifold	1	
33	59752592	Commutator Assembly	1	
35	59049072	Retainer, Seal	1	
36	59049080	Seal	1	
37	59752345	Washer	1	
38	59049056	End Washer	1	
39	59049098	Bolt - Coarse Thread	7	
-	59051409	Bolt - Fine Thread	7	

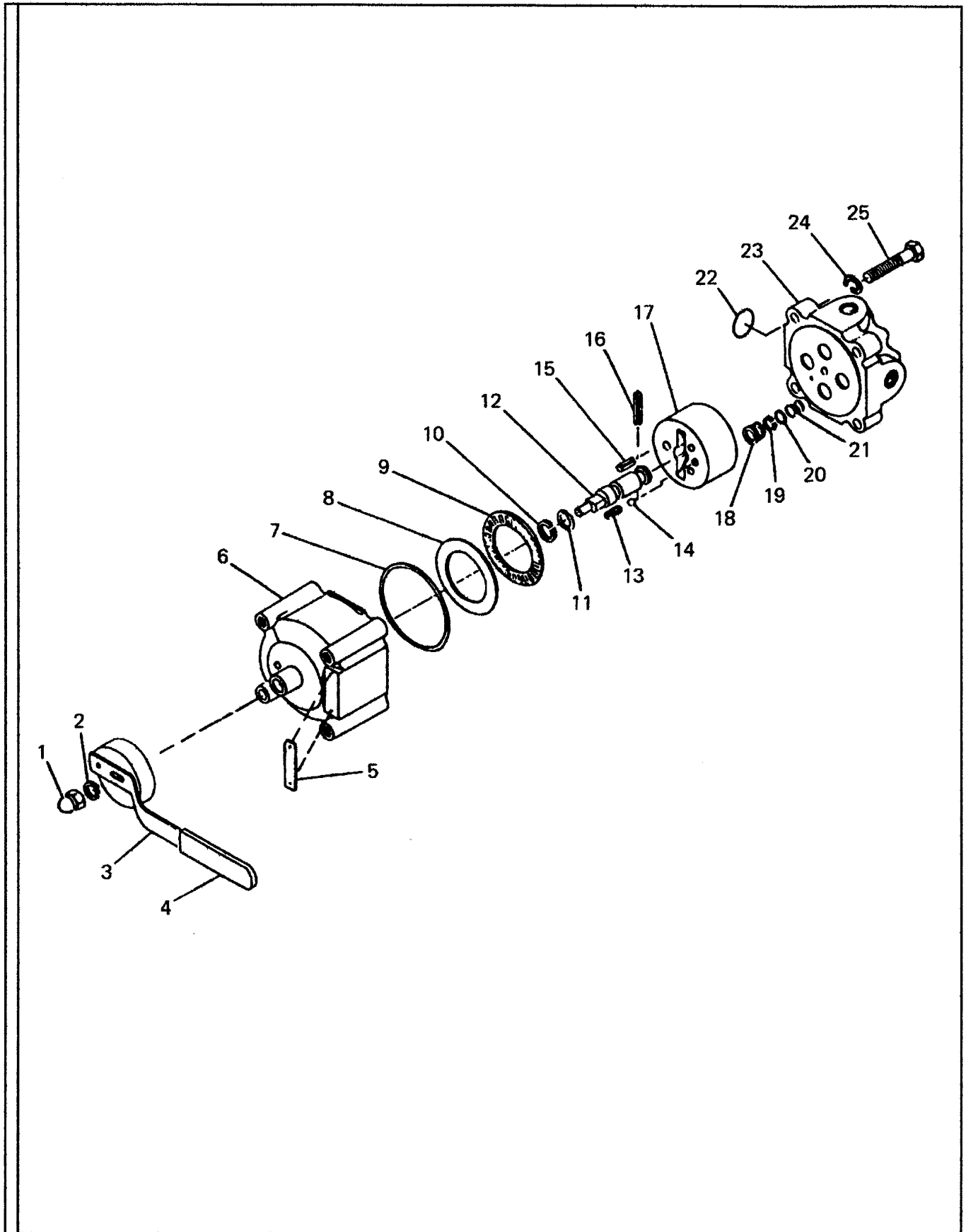
# HAND PUMP AND STEERING COLUMN (59455535) - INTERNAL BREAKDOWN



**HAND PUMP AND STEERING COLUMN (59455535) - INTERNAL BREAKDOWN**

<b>ITEM</b>	<b>COMM. NO.</b>	<b>DESCRIPTION</b>	<b>QTY</b>	<b>DIMENSIONS/NOTES</b>
		<small>BOM 59001354</small>		
1	N.S.S.	-Seal (1.0 ID)	1	Included in Seal Kit
2	59596544	-Ring, Retaining	1	
3	59596551	-Bushing, Seal Gland	1	
4	N.S.S.	-Seal (1.875 ID)	1	Included in Seal Kit
5	N.S.S.	-Seal, Quad Ring (1.063 ID)	1	Included in Seal Kit
6	59596577	-Needle Bearing Kit (Contains items 7 and 8)	1	
7	N.S.S.	-Race, Bearing	2	
8	N.S.S.	-Bearing, Needle Thrust	1	
9	59596585	-Screw, Set	1	
10	N.S.S.	-Seal (.375 ID)	1	Included in Seal Kit
11	59596593	-Seat, Check Ball	1	
12	N.S.S.	-Seal (.312 ID)	1	Included in Seal Kit
13	59596601	-Ball, Check	1	
14	59596619	-Retainer, Check Ball	1	
15	50916857	-Control Parts Assembly (Contains items 19 and 20)	1	
19	59393389	-Centering Spring Kit (6 Springs)	1	
20	50806496	-Pin, Centering	1	
21	N.S.S.	-Seal	3	Included in Seal Kit
22	59596635	-Plate, Spacer	1	
23	50280403	-Drive	1	
24	59480608	-Gerotor	1	
25	59518670	-Spacer	1	
26	59596668	-Cap, End	1	
27	59480616	-Screw, Cap	7	
-	59596569	-Seal Kit (Comprised of items 1,4,5,10,12 and 21)	1	

# STEERING SELECTOR VALVE (59455725) - INTERNAL BREAKDOWN

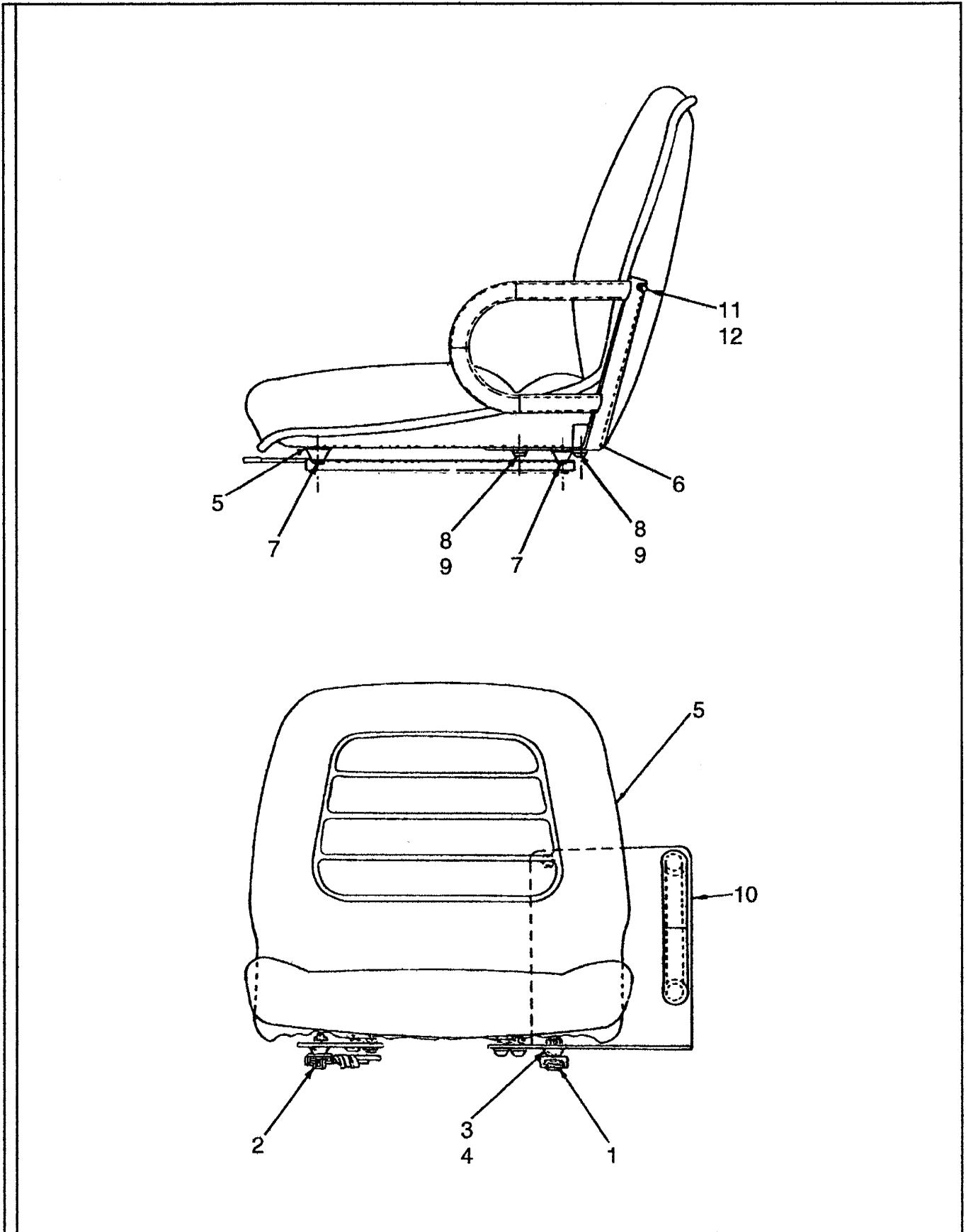


VR-90B

**STEERING SELECTOR VALVE (59455725) - INTERNAL BREAKDOWN**

<b>ITEM</b>	<b>COMM. NO.</b>	<b>DESCRIPTION</b>	<b>QTY</b>	<b>DIMENSIONS/NOTES</b>
		<small>BOM 59455725</small>		
1	59348268	Acorn Nut	1	
2	59348276	Lock Washer	1	
3	59348284	Handle Assembly	1	
4	59480343	Handle Grip	1	
5	N.S.S.	Name Plate	1	
6	59480350	Housing	1	
7	N.S.S.	Housing O-Ring	1	Included in Seal Kit
8	59480376	Thrust Washer	1	
9	59480384	Thrust Bearing	1	
10	N.S.S.	Shaft Backup Ring	1	Included in Seal Kit
11	N.S.S.	Shaft O-Ring	1	Included in Seal Kit
12	58875170	Shaft	1	
13	59480426	Detent Spring	1	
14	59480434	Detent Ball	1	
15	59348367	Stop Roll Pin	1	
16	59348375	Drive Roll Pin	1	
17	59480442	Standard 6-Hole Rotor	1	
18	59480459	Oil Std.Seal	3	
19	N.S.S.	Seal Backup Ring	3	Included in Seal Kit
20	N.S.S.	Seal O-Ring	3	Included in Seal Kit
21	59480483	Seal Spring	3	
22	59348417	Warning Decal	1	
23	58875188	Vertical Body (SAE)	1	
24	59480509	Lock Washer	4	
25	59480517	Cap Screw	4	
-	58875162	Seal Kit (Includes items 7, 10, 11, 19, and 20)	1	

SEAT ASSEMBLY-EFFECTIVE WITH S/N: 5249 PLUS 5232 and 5233



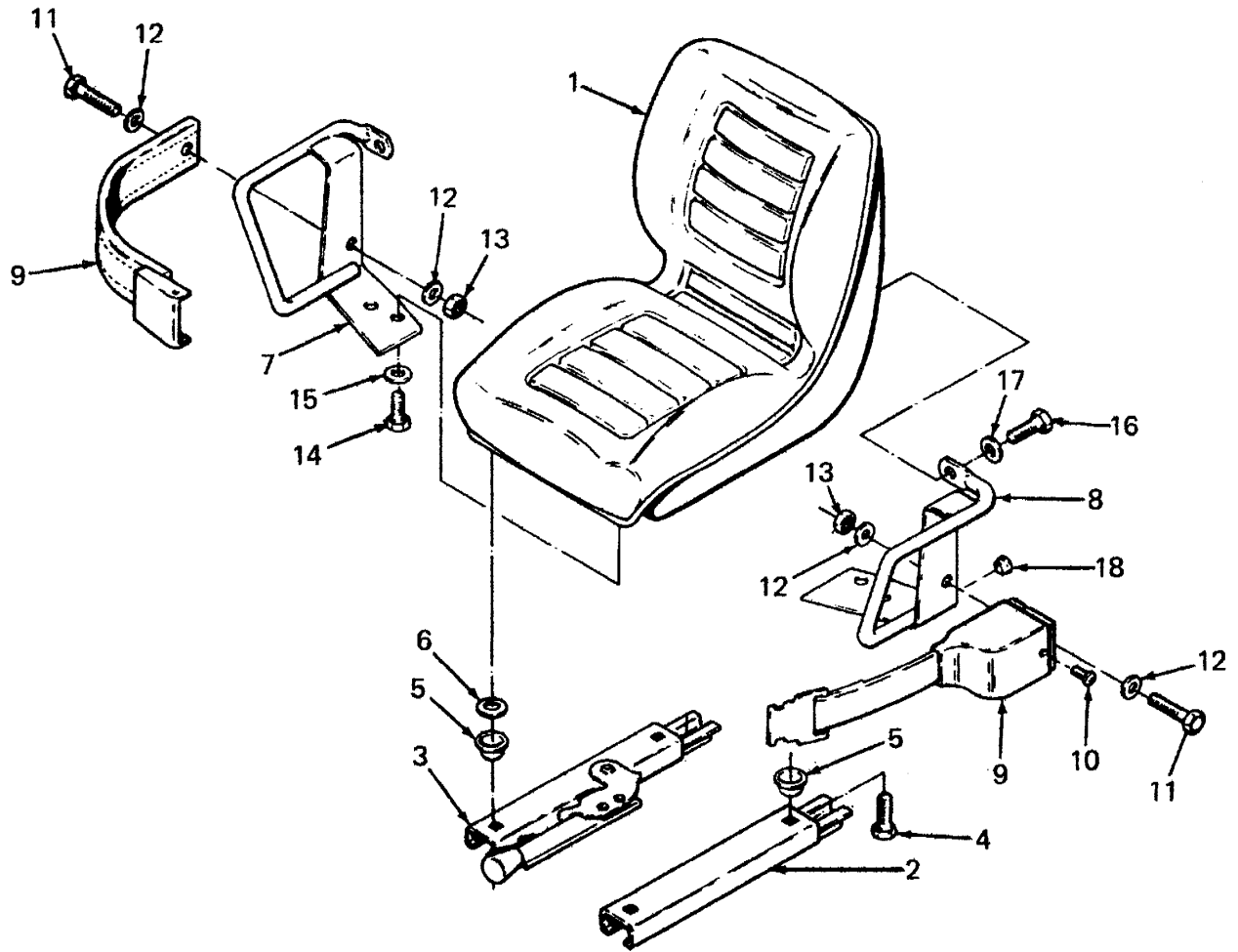
VR-90B



SEAT ASSEMBLY-EFFECTIVE WITH S/N: 5249 PLUS 5232 and 5233

ITEM	COMM. NO.	DESCRIPTION	QTY	DIMENSIONS/NOTES
		BOM 58850587		
1	59455006	Seat Rail	1	
2	59455196	Seat Rail	1	
3	59463414	Washer	2	
4	59463422	Spacer	4	
5	59491571	Seat	1	
6	59887000	Dome Plug	2	
7	95912606	H.S.H.C.S.	4	5/16 - 18 x 1.25
8	95912614	B.H.C.S.	4	5/16 - 8 x 0.625
9	95922365	Washer, Flat	4	5/16 Dia.
10	59090142	Arm Rest (Effective with S/N 174136)	1	
-	58852773	Arm Rest (Prior to S/N 174136)	1	
11	59465260	H.S.B.H.C.S.	2	5/16 - 18 x 0.625
12	59465252	Washer, Special	2	

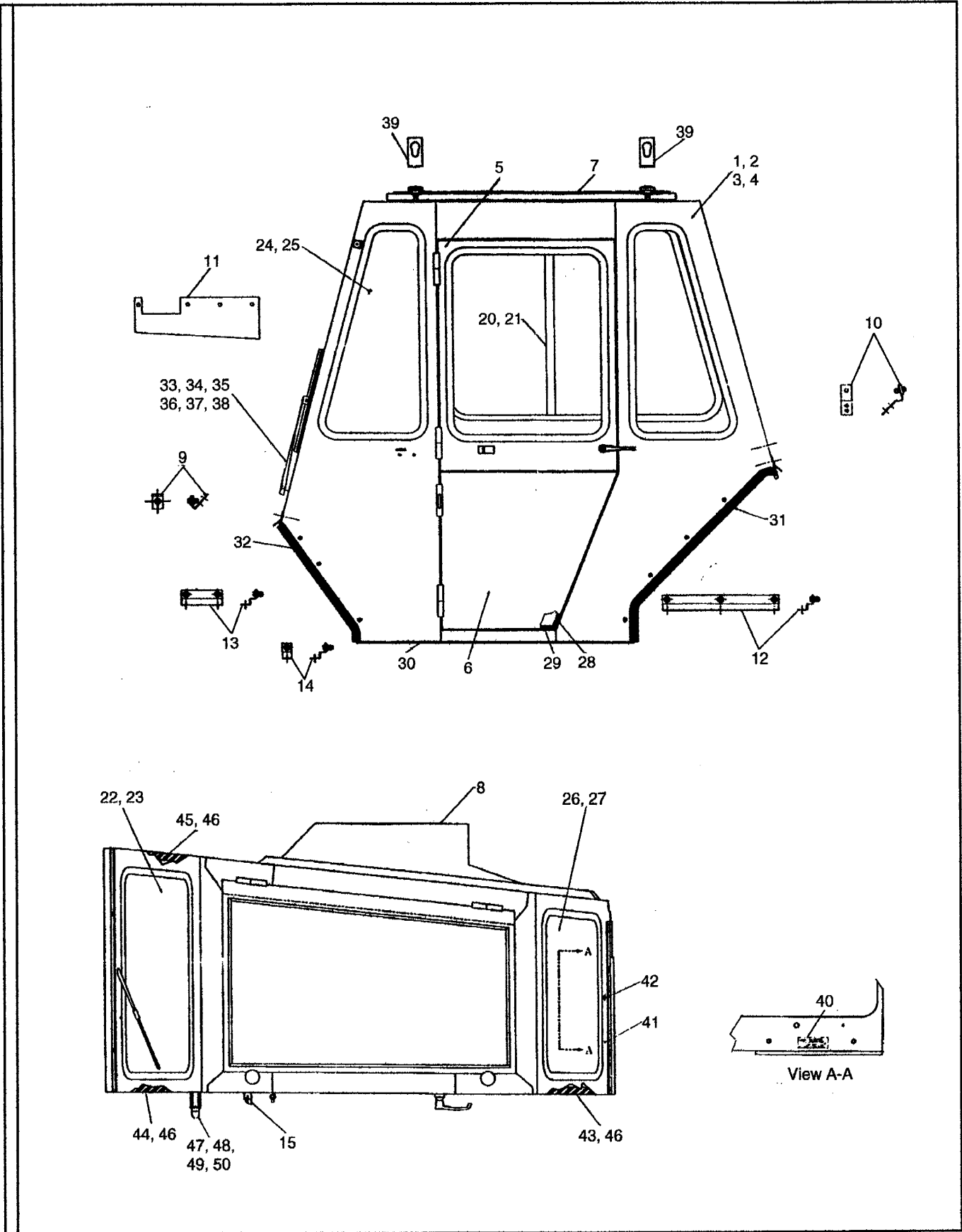
SEAT ASSEMBLY - INTERNAL BREAKDOWN  
(PRIOR TO S/N 5249 EXCEPT 5232 AND 5233)



**SEAT ASSEMBLY - INTERNAL BREAKDOWN  
(PRIOR TO S/N 5249 EXCEPT 5232 AND 5233)**

ITEM	COMM. NO.	DESCRIPTION	QTY	DIMENSIONS/NOTES
		BOM 59455873		
1	59491571	Seat	1	
2	59455006	Seat Rail (R.H.)	1	
3	59455196	Seat Rail (L.H.)	1	
4	95912606	H.S.B.H.S.	4	5/16 - 18 x 1.25
5	59463422	Spacer	4	
6	59463414	Washer, Flat	2	
7	59455824	Hip Restraint (R.H.)	1	
8	59455832	Hip Restraint (L.H.)	1	
9	59455840	Seat Belt	1	
10	59465237	Screw	1	
11	59465245	H.H.C.S.	2	1/2 - 13 x 1.25
12	59471151	Washer	4	
13	95285243	Lock Nut	2	1/2 - 13
14	95912614	B.H.C.S.	4	5/16 - 18 x 0.625
15	95922365	Washer, Flat	4	5/16 Dia.
16	59465260	H.S.B.H.S.	2	5/16 - 18 x 0.625
17	59465252	Washer	2	
18	59887000	Dome Plug	2	

CAB ASSEMBLY (58883232) - INTERNAL BREAKDOWN

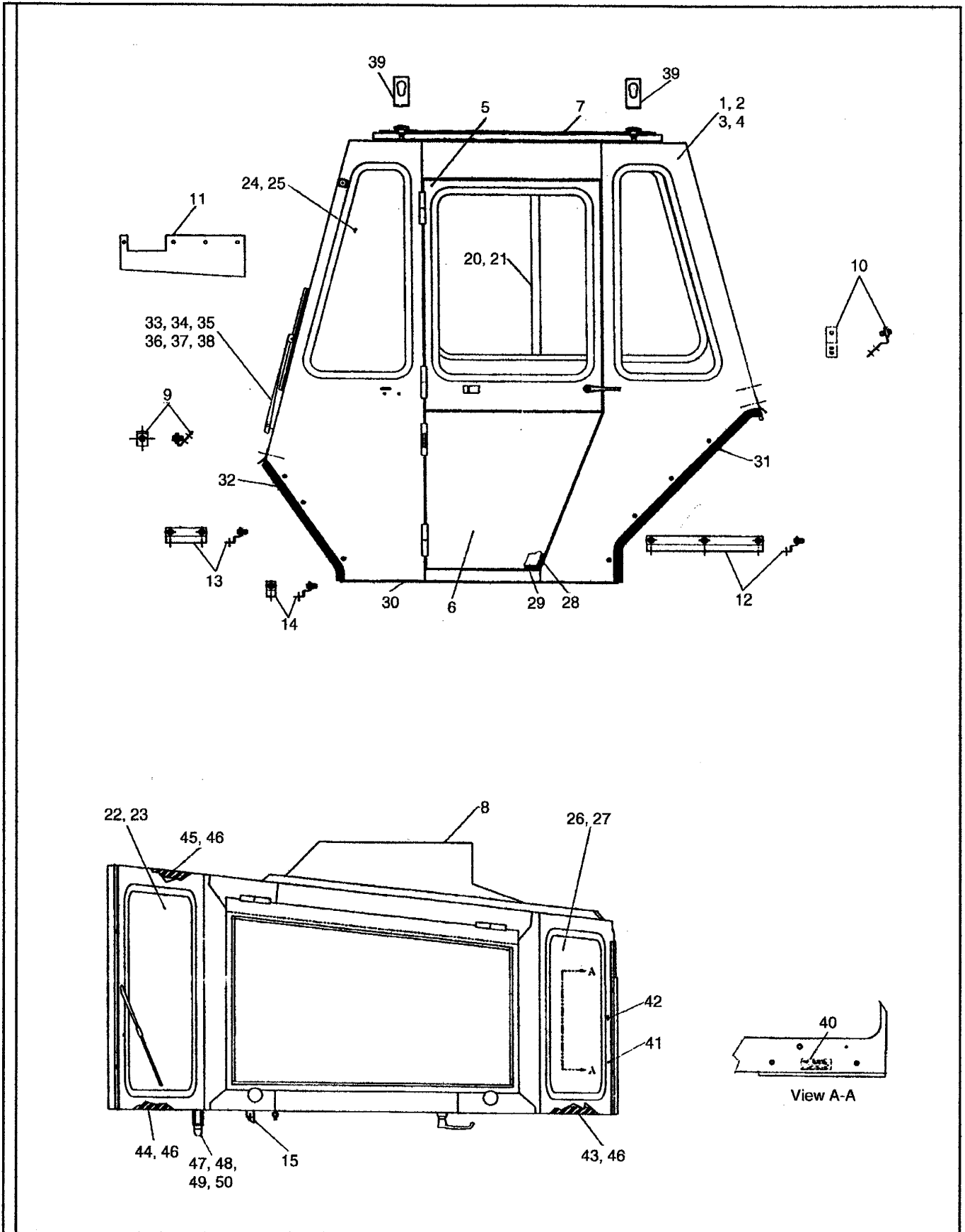


VR-90B

CAB ASSEMBLY (58883232) - INTERNAL BREAKDOWN

ITEM	COMM NO.	DESCRIPTION	QTY	DIMENSION/NOTES
		BOM 58883232		
1	59051771	Cab	1	
5	59051797	Upper Door	1	
6	59051904	Lower Door	1	
7	58914805	Skylight	1	
8	59051912	Control Cover	1	
9	59052472	Front Mount	2	
10	59051920	Rear Mount	2	
11	59051938	RH Mount	1	
12	59051946	LH Mount	2	3 Hole
13	59051953	LH Mount	1	2 Hole
14	59051961	LH Mount	1	1 Hole
15	59051979	Door Holdback	1	
20	59051987	Sliding Window	1	
21	59051995	Window Gasket	1	127"
22	59052001	Front Glass	1	
23	59052019	Window Gasket	1	134"
24	59052027	Side Glass	3	
25	59052035	Window Gasket	3	84"
26	59052043	Rear Glass	1	
27	59052050	Window Gasket	1	107"
28	59052068	Door Seal	1	161"
29	59052076	Door Seal	1	17"
30	59052084	Cab Seal	1	40"
31	59052092	Cab Seal	1	80"
32	59052100	Cab Seal	1	90"
33	58889239	Wiper Motor	1	
34	59052118	Wiper Blade	1	18"
35	59052126	Wiper Arm	1	16"
36	59052373	Screw	1	#10-32 x 1
37	58969130	Flat Washer	1	#10
38	59052381	Nylon Lock Nut	1	#10-32
39	59052159	Roof Hook	2	
40	59052167	Serial Plate	1	
41	59052175	Nylon Hole Plug	1	3/16"
42	59052183	Nylon Hole Plug	1	5/8"
43	59052191	LH Rear Insulation	1	29 13/32 x 31 1/32 1/2"
44	59052209	LH Front Insulation	1	15 3/8 x 31 1/32 1/2"
45	59052217	RH Front Insulation	1	23 25/64 x 30 3/16 1"

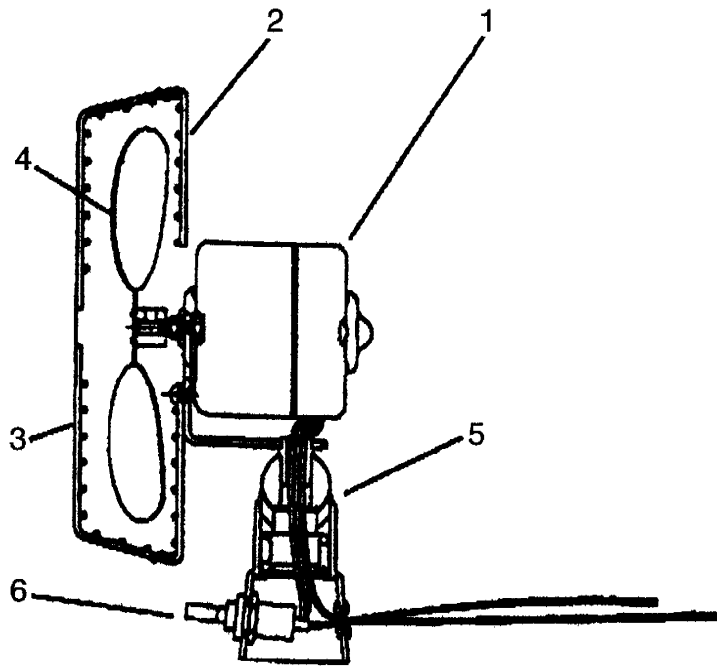
CAB ASSEMBLY (58883232) - INTERNAL BREAKDOWN



CAB ASSEMBLY (58883232) - INTERNAL BREAKDOWN

ITEM	COMM NO.	DESCRIPTION	QTY	DIMENSION/NOTES
47	59052233	Rubber Door Bumper	1	
48	59052241	Recessed Bumper	1	
49	59052258	Hex Nut	1	#10-32
50	59052266	Screw	1	#10-32 x 1 1/4

# DEFROSTER FAN (59474106) - INTERNAL BREAKDOWN

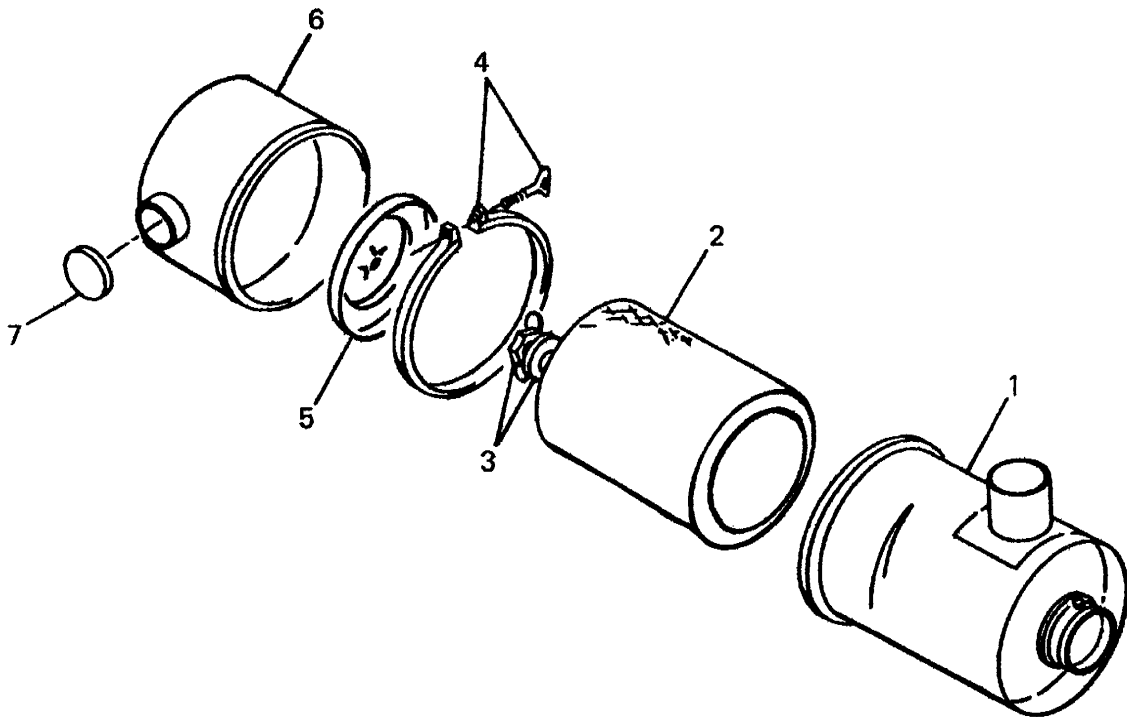




DEFROSTER FAN (59474106) - INTERNAL BREAKDOWN

ITEM	COMM. NO.	DESCRIPTION	QTY	DIMENSIONS/NOTES
		<small>BOM 59474106</small>		
1	58875097	Motor	1	12 Volt
2	58875105	Rear Grill Guard Assembly	1	
3	58875113	Front Grill Guard Assembly	1	
4	58875121	Fan Blade Assembly	1	
5	58875139	Base Assembly	1	
6	58875147	Switch Assembly	1	
7	58875154	Thumb Screw (Not Shown)	1	

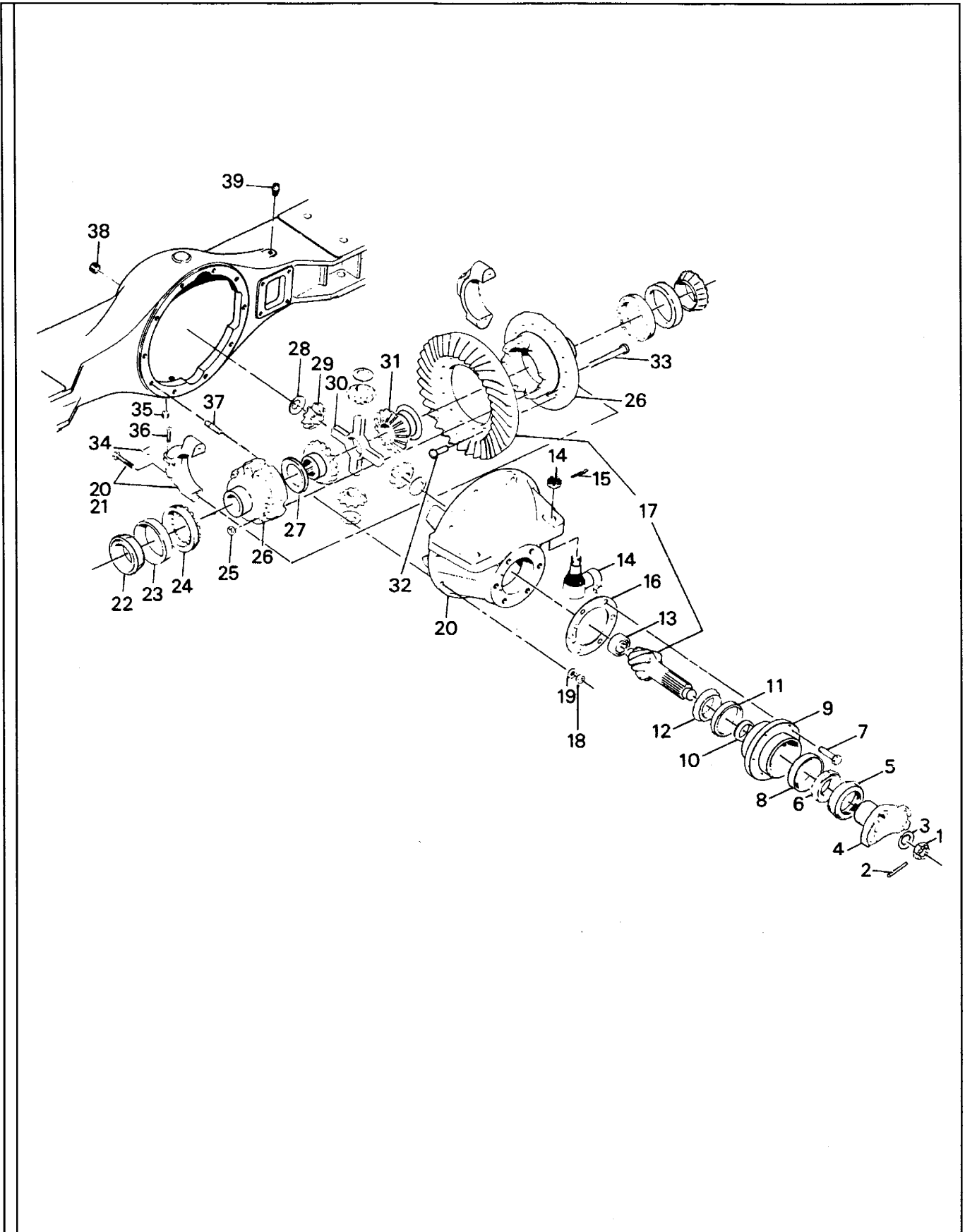
AIR CLEANER (59450270) - INTERNAL BREAKDOWN



**AIR CLEANER (59450270) - INTERNAL BREAKDOWN**

<b>ITEM</b>	<b>COMM. NO.</b>	<b>DESCRIPTION</b>	<b>QTY</b>	<b>DIMENSIONS/NOTES</b>
		<small>BOM 59450270</small>		
1	N.S.S.	Body Assembly	1	
2	35318252	Element	1	
3	50938935	Nut	1	
4	50938943	Clamp	1	
5	50938950	Baffle	1	
6	50938968	Cup	1	
7	50938976	Cap	1	

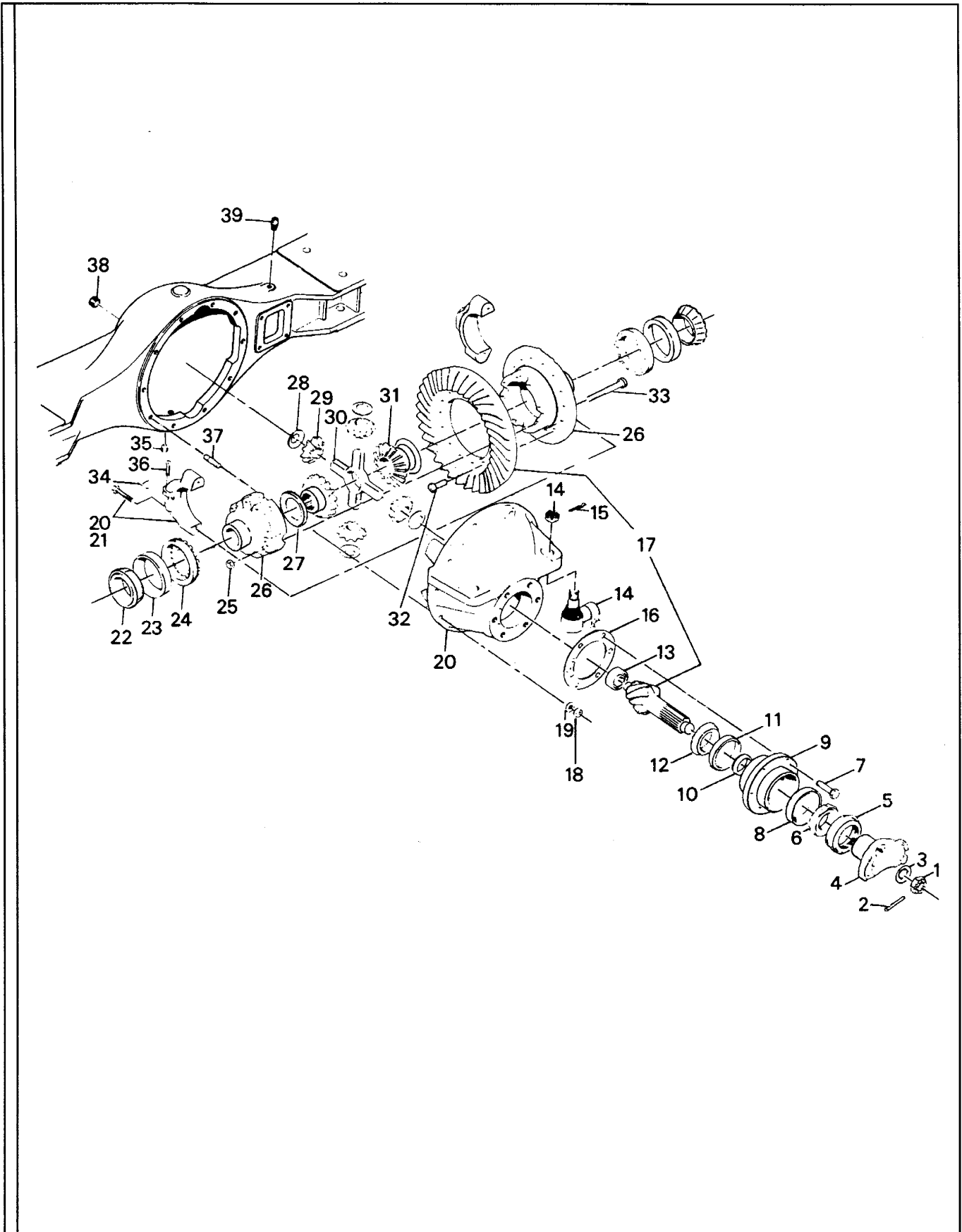
AXLE ASSEMBLY (59110387) - INTERNAL BREAKDOWN - SHEET 1 OF 4



AXLE ASSEMBLY (59110387) - INTERNAL BREAKDOWN - SHEET 1 OF 4

ITEM	COMM. NO.	DESCRIPTION	QTY	DIMENSIONS/NOTES
		BOM 59450502		
-	58785866	Carrier Assembly	1	
1	58800608	Pinion Nut	1	
2	59483511	Cotter Pin	1	
3	59349928	Flat Washer	1	
4	59488858	End Yoke	1	
5	59349936	Oil Seal	1	
6	59349944	Bearing Cone (Pinion Outer)	1	
7	59349951	Hex Bolt	6	
8	58800624	Bearing Cup (Pinion Outer)	1	
9	58785874	Bearing Retainer Cap	1	
10	—————	Pinion Bearing Spacer	1	
—	59349977	-.5135 Thk.	1	
—	58801416	-.5165 Thk.	1	
—	58801424	-.5195 Thk.	1	
—	58801432	-.5225 Thk.	1	
—	58801440	-.5245 Thk.	1	
—	58801457	-.5255 Thk.	1	
—	58801465	-.5265 Thk.	1	
—	58801473	-.5275 Thk.	1	
—	58801481	-.5285 Thk.	1	
—	58801499	-.5295 Thk.	1	
—	58801507	-.5305 Thk.	1	
—	58801515	-.5315 Thk.	1	
—	58801523	-.5325 Thk.	1	
—	58801531	-.5335 Thk.	1	
—	58801549	-.5345 Thk.	1	
—	58801556	-.5355 Thk.	1	
—	58801564	-.5375 Thk.	1	
—	58801572	-.5395 Thk.	1	
—	58801580	-.5405 Thk.	1	
—	58801598	-.5435 Thk.	1	
—	58801606	-.5485 Thk.	1	
11	58800624	Bearing Cup (Pinion Inner)	1	
12	59349944	Bearing Cone (Pinion Inner)	1	
13	58800640	Bearing Assembly (Straight Roller)	1	
14	59489930	Steering Cylinder Socket Assembly		
15	59483511	Cotter Pin (One Per Socket Assembly)	2	

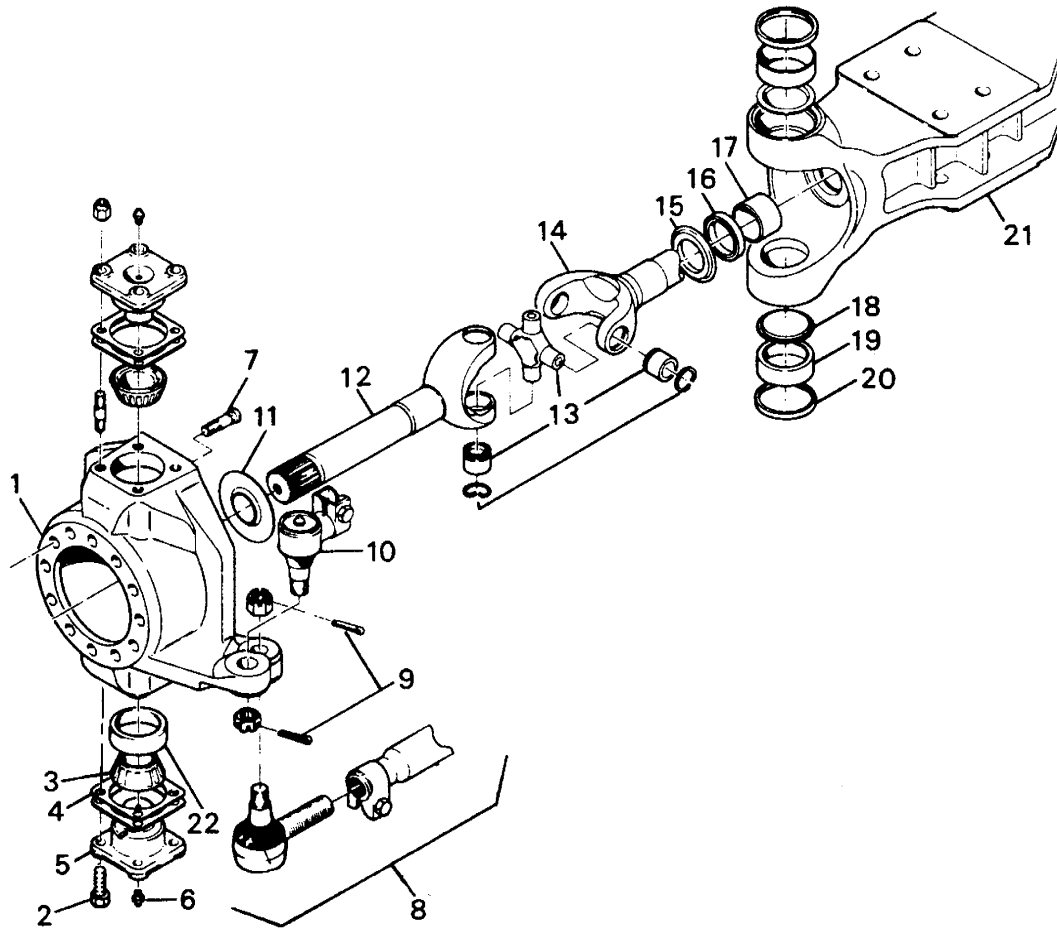
AXLE ASSEMBLY (59110387) - INTERNAL BREAKDOWN - SHEET 1 OF 4



AXLE ASSEMBLY (59110387) - INTERNAL BREAKDOWN - SHEET 1 OF 4

ITEM	COMM. NO.	DESCRIPTION	QTY	DIMENSIONS/NOTES
		BOM 59450502		
16	—————	Shim (Pinion Bearing Retainer Position)		
-	58766023	-Shim (.10)	A/R	
-	58800665	-Shim (.030)	A/R	
-	58800673	-Shim (.005)	A/R	
17	58801309	Ring Gear and Pinion Assembly	1	
18	58785841	Lock Nut (Steering Axle Only)	10	
19	59564153	Flat Washer	10	
20	58785882	Carrier Sub-Assembly and Cap (Steering Axle Only)	1	
22	58800616	Adjusting Ring (Differential)	2	
23	58800624	Bearing Cup (Differential)	2	
24	58800582	Bearing Cone (Differential)	2	
26	58800509	Differential Case Assembly Kit	1	
27	58800533	Thrust Washer (Differential Gear)	2	
28	58800541	Thrust Washer (Differential Pinion)	4	
29	58800566	Differential Pinion	4	
30	58800525	Differential Shaft	1	
31	58800574	Differential Gear	2	
32	58800632	Solid Rivet	14	
33	58800517	Hex Bolt	8	
34	59488841	Bearing Adjuster Ring Lock	2	
35	59526426	Pipe Recessed Drive Plug (Magnetic Drain)	1	
36	58800657	Cotter Pin	2	
37	—————	Stud (Steering Axle Only)		
—	58801614	-2.00" O.A.L.	6	
—	58801622	-.38" O.A.L.	2	
—	58801630	-.81" O.A.L.	2	
38	59564021	Pipe Recessed Drive Plug	1	
39	59525568	Vent	1	

AXLE ASSEMBLY (59110387) - INTERNAL BREAKDOWN - SHEET 2 OF 4

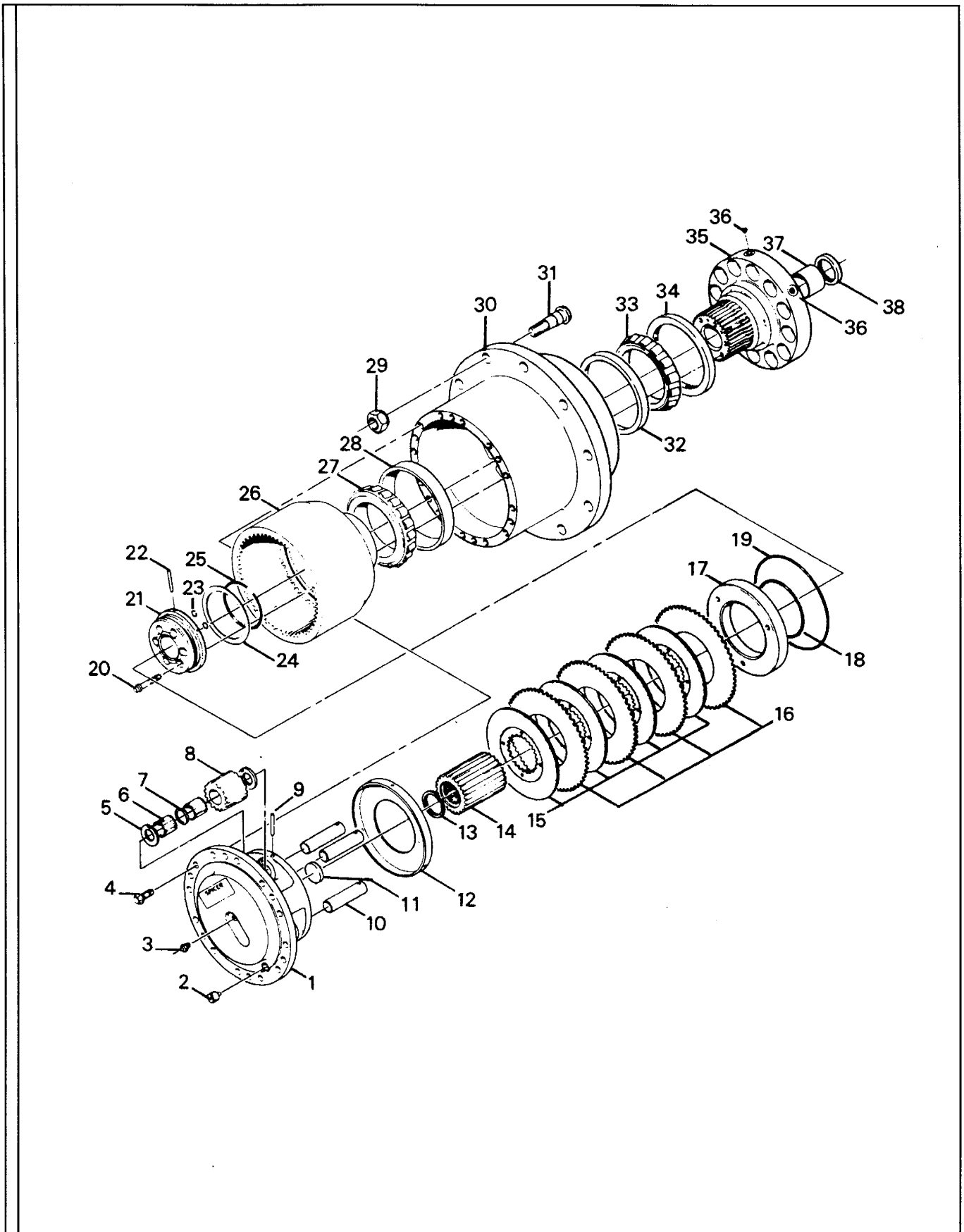




AXLE ASSEMBLY (59110387) - INTERNAL BREAKDOWN - SHEET 2 OF 4

ITEM	COMM. NO.	DESCRIPTION	QTY	DIMENSIONS/NOTES
		BOM 59450502		
-	_____	Outer End	1	
1	59486852	Steering Knuckle (L.F./R.R.)	1	
-	59486845	Steering Knuckle (R.F./L.R.)	1	
2	58785833	-H.H.C.S. (.50)	8	
3	59483446	-Cone Bearing (King Pin Cap)	2	
4	59483412	-Shim (.005)(King Pin Cap)	A/R	
-	59490888	-Shim (.010)(King Pin Cap)	A/R	
5	59483453	-King Pin Cap	2	
6	58785858	-Grease Fitting	2	
7	58800707	-Stud (Spindle Mounting with Disc Brake)	12	
8	58800749	-Tie Rod	1	
9	59483511	Cotter Pin (One Per Socket Assembly)	6	
10	58774241	Steering Cylinder Socket Assembly	1	
-	58774225	-Socket (L.F./R.R.)	1	16" Fine Thread
-	58774233	-Socket (R.F./L.R.)	1	12" Coarse Thread
11	58784570	-Deflector	1	
12	58784588	-Spindle Yoke Outer Shaft	1	
13	58784539	-U-Joint Cross Assembly	1	
14	58800699	-Inner Yoke Shaft (R.H.)	1	
15	58784562	-Deflector	1	
16	58767997	-Seal Oil	1	
17	59496927	Bushing	1	
18	59476002	Grease Retainer	2	
19	59483438	Cup Bearing	2	
20	59496935	King Pin Seal	2	
21	58800681	Steering Axle Housing	1	

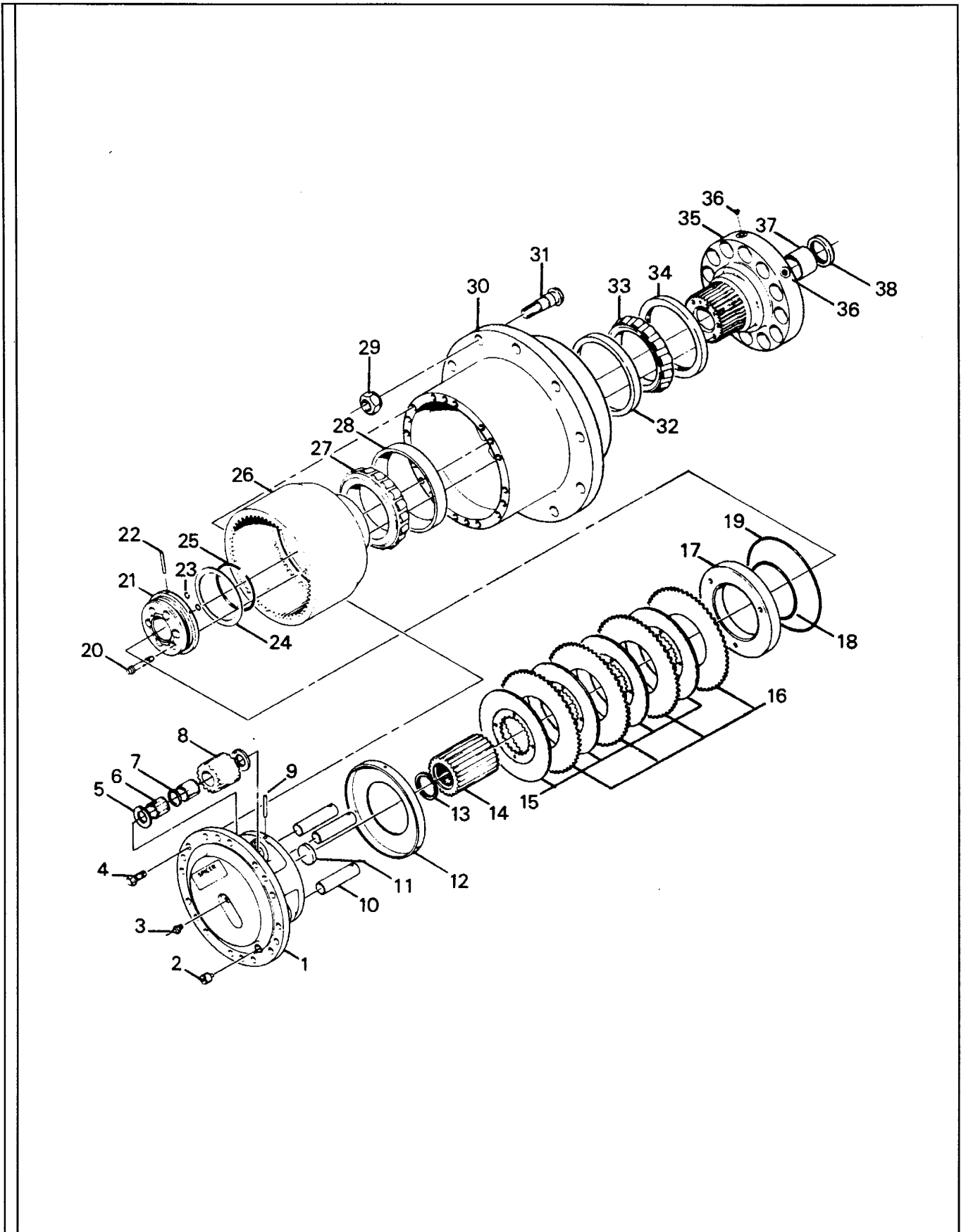
AXLE ASSEMBLY (59110387) - INTERNAL BREAKDOWN - SHEET 3 OF 4



AXLE ASSEMBLY (59110387) - INTERNAL BREAKDOWN - SHEET 3 OF 4

ITEM	COMM. NO.	DESCRIPTION	QTY	DIMENSIONS/NOTES
		BOM 59450502		
-	59123778	Wheel End	1	
-	58974890	Planetary Gear Assembly	1	Includes Items 1 - 12
1	59487983	Drive Planetary Flange	1	Included in Gear Assy.
2	59526426	Pipe Recessed Drive Plug (Magnetic)	1	Included in Gear Assy.
3	59498188	Vent	1	Included in Gear Assy.
4	59490334	Hex Self-Locking Screw	18	Included in Gear Assy.
5	59526079	Keyed Washer	6	Included in Gear Assy.
6	59619502	Needle Roller Bearing	150	Included in Gear Assy.
7	59526087	Planet Gear Washer	3	Included in Gear Assy.
8	59488866	Spur Planet Gear	3	Included in Gear Assy.
9	59490714	Roll Pin	3	Included in Gear Assy.
10	59498212	Planet Gear Shaft	3	Included in Gear Assy.
11	59564229	Drive Flange Washer	1	Included in Gear Assy.
12	59487991	Plate-Lining Stop	1	Included in Gear Assy.
13	58800772	Snap Ring (Steering Axle)	1	
14	59487553	Spur Gear (Steering Axle)	1	
15	59123752	Friction Disc Assembly	4	
16	58773763	Plate-Lining Stop	4	
17	59490722	Piston	1	
18	59488106	O-Ring	1	
19	59486936	O-Ring	1	
20	59488890	Cap Screw (12 Pt.)	6	
21	59123760	Bearing Adjusting Ring Retainer	1	
22	59497024	Brake Tubing	1	
23	59438937	O-Ring	2	
24	59490565	Adjusting Shim (.010)	A/R	
—	59490599	Adjusting Shim (.011)	A/R	
—	59490607	Adjusting Shim (.012)	A/R	
—	59490615	Adjusting Shim (.013)	A/R	
—	59490623	Adjusting Shim (.014)	A/R	
—	59490516	Adjusting Shim (.015)	A/R	
—	59490573	Adjusting Shim (.020)	A/R	
—	59490581	Adjusting Shim (.030)	A/R	
25	59488098	O-Ring	1	
26	59487561	Planetary Gear	1	
27	58800780	Cone Bearing (Outer)	1	
28	59490839	Cup Bearing (Outer)	1	
29	58800764	Wheel Mounting Nut	10	

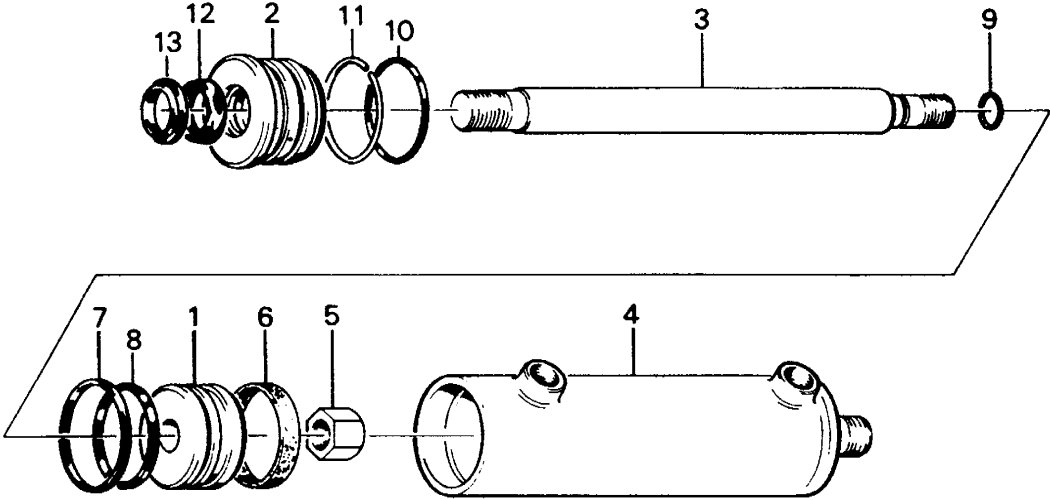
AXLE ASSEMBLY (59110387) - INTERNAL BREAKDOWN - SHEET 3 OF 4



AXLE ASSEMBLY (59110387) - INTERNAL BREAKDOWN - SHEET 3./,m l,mklk OF 4

ITEM	COMM. NO.	DESCRIPTION	QTY	DIMENSIONS/NOTES
		BOM 59450502		
30	58800822	Planetary Hub	1	
31	58800814	Wheel Mounting Bolt	10	
32	59487975	Cup Bearing (Inner)	1	
33	59486878	Cone Bearing (Inner)	1	
34	59438945	Oil Seal	1	
35	59123745	Wheel Spindle (Steering Axle)	1	
36	59488882	Insert Seat	2	
37	59564120	Spindle Bushing (Steering Axle)	1	
38	59490896	Oil Seal (Steering Axle)	1	
39	59487942	Bleeder (Not Shown)	1	
40	59487959	Fitting, Brake Line Hose (Not Shown)	12	
		Note: Items 39 and 40 are installed in Item 35.		

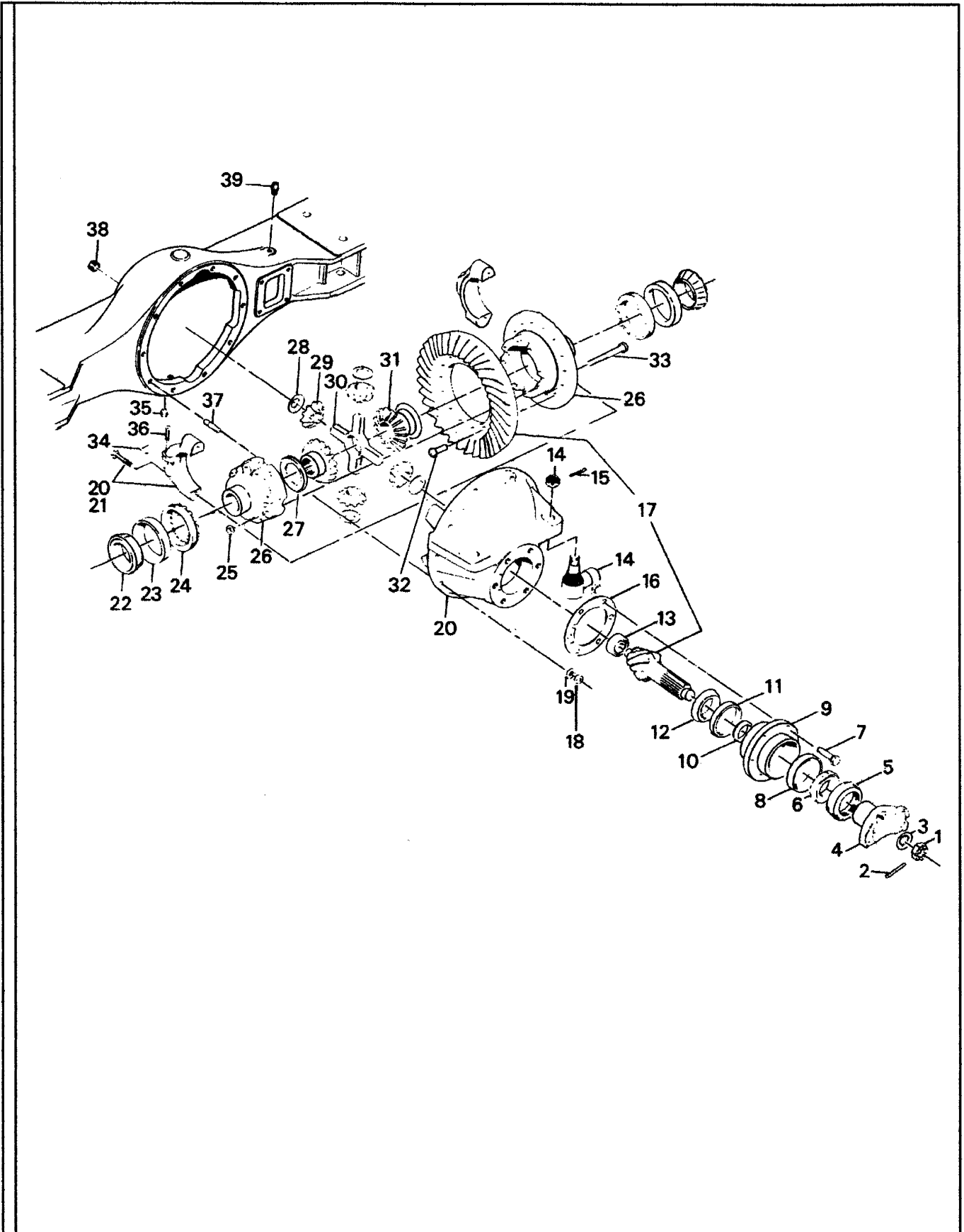
AXLE ASSEMBLY (59110387) - INTERNAL BREAKDOWN - SHEET 4 OF 4



AXLE ASSEMBLY (59110387) - INTERNAL BREAKDOWN - SHEET 4 OF 4

ITEM	COMM. NO.	DESCRIPTION	QTY	DIMENSIONS/NOTES
		BOM 59450502		
-	59123786	Steering Cylinder	1	
-	59123794	-Seal Kit (Includes items 1 thru 8)	1	
1	N.S.S.	-Wear Strip	1	
2	N.S.S.	-Seal,Slipper	1	
3	N.S.S.	-O-Ring	1	
4	N.S.S.	-Static Rod Seal	1	
5	N.S.S.	-Static Gland Seal	1	
6	N.S.S.	-Lock Wire	1	
7	N.S.S.	-Rod Seal U-Cup	1	
8	N.S.S.	-Rod Wiper	1	
9	N.S.S.	Piston	1	
10	N.S.S.	Gland	1	
11	N.S.S.	Rod	1	
12	N.S.S.	Barrel Assembly	1	
13	N.S.S.	Lock Nut	1	

AXLE ASSEMBLY (59450502) - INTERNAL BREAKDOWN - SHEET 1 OF 4

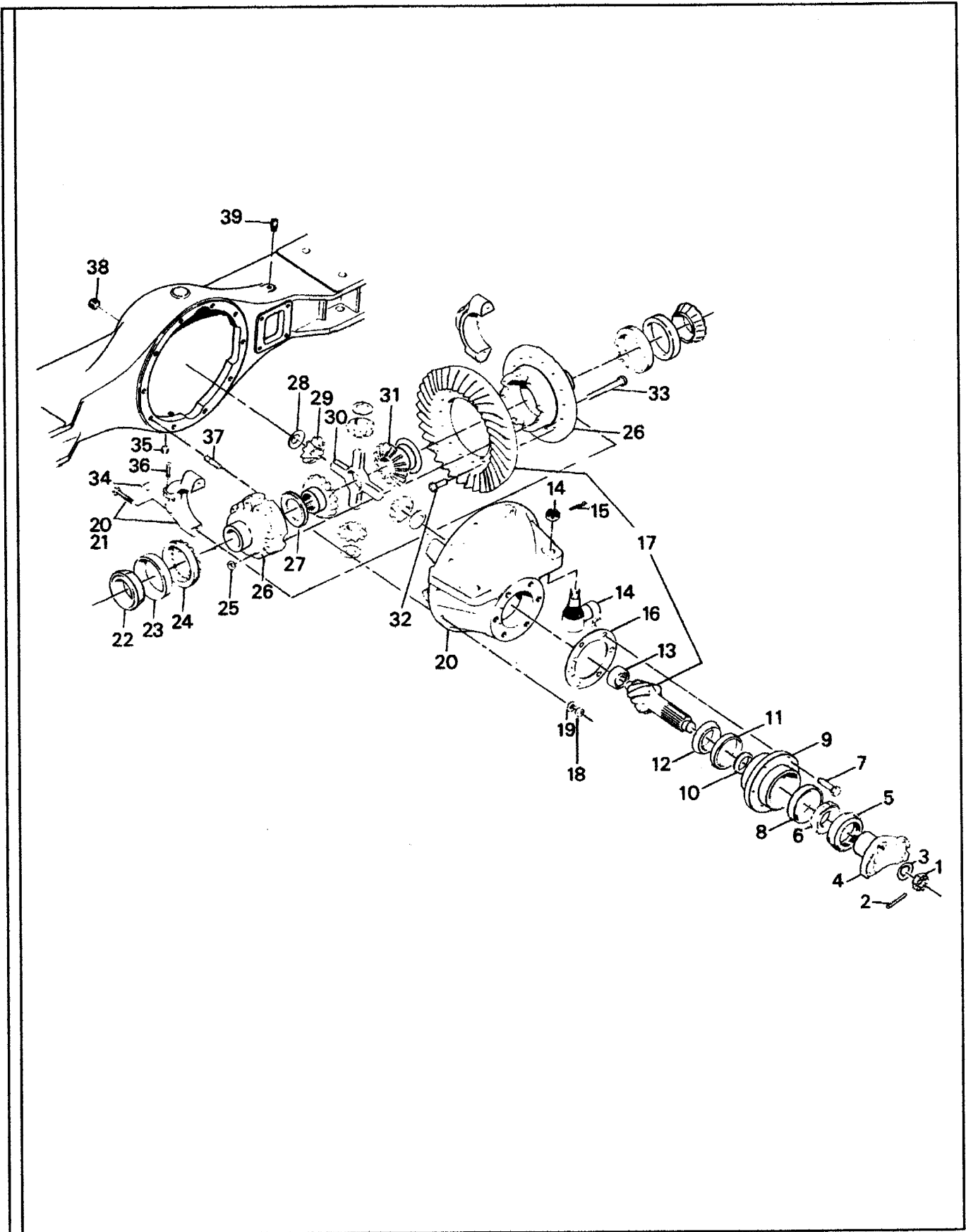




AXLE ASSEMBLY (59450502) - INTERNAL BREAKDOWN - SHEET 1 OF 4

ITEM	COMM. NO.	DESCRIPTION	QTY	DIMENSIONS/NOTES
		BOM 59450502		
-	58785866	Carrier Assembly	1	
1	58800608	Pinion Nut	1	
2	59483511	Cotter Pin	1	
3	59349928	Flat Washer	1	
4	59488858	End Yoke	1	
5	59349936	Oil Seal	1	
6	59349944	Bearing Cone (Pinion Outer)	1	
7	59349951	Hex Bolt	6	
8	58800624	Bearing Cup (Pinion Outer)	1	
9	58785874	Bearing Retainer Cap	1	
10	_____	Pinion Bearing Spacer	1	
—	59349977	-.5135 Thk.	1	
—	58801416	-.5165 Thk.	1	
—	58801424	-.5195 Thk.	1	
—	58801432	-.5225 Thk.	1	
—	58801440	-.5245 Thk.	1	
—	58801457	-.5255 Thk.	1	
—	58801465	-.5265 Thk.	1	
—	58801473	-.5275 Thk.	1	
—	58801481	-.5285 Thk.	1	
—	58801499	-.5295 Thk.	1	
—	58801507	-.5305 Thk.	1	
—	58801515	-.5315 Thk.	1	
—	58801523	-.5325 Thk.	1	
—	58801531	-.5335 Thk.	1	
—	58801549	-.5345 Thk.	1	
—	58801556	-.5355 Thk.	1	
—	58801564	-.5375 Thk.	1	
—	58801572	-.5395 Thk.	1	
—	58801580	-.5405 Thk.	1	
—	58801598	-.5435 Thk.	1	
—	58801606	-.5485 Thk.	1	
11	58800624	Bearing Cup (Pinion Inner)	1	
12	59349944	Bearing Cone (Pinion Inner)	1	
13	58800640	Bearing Assembly (Straight Roller)	1	
14	59489930	Steering Cylinder Socket Assembly		
15	59483511	Cotter Pin (One Per Socket Assembly)	2	

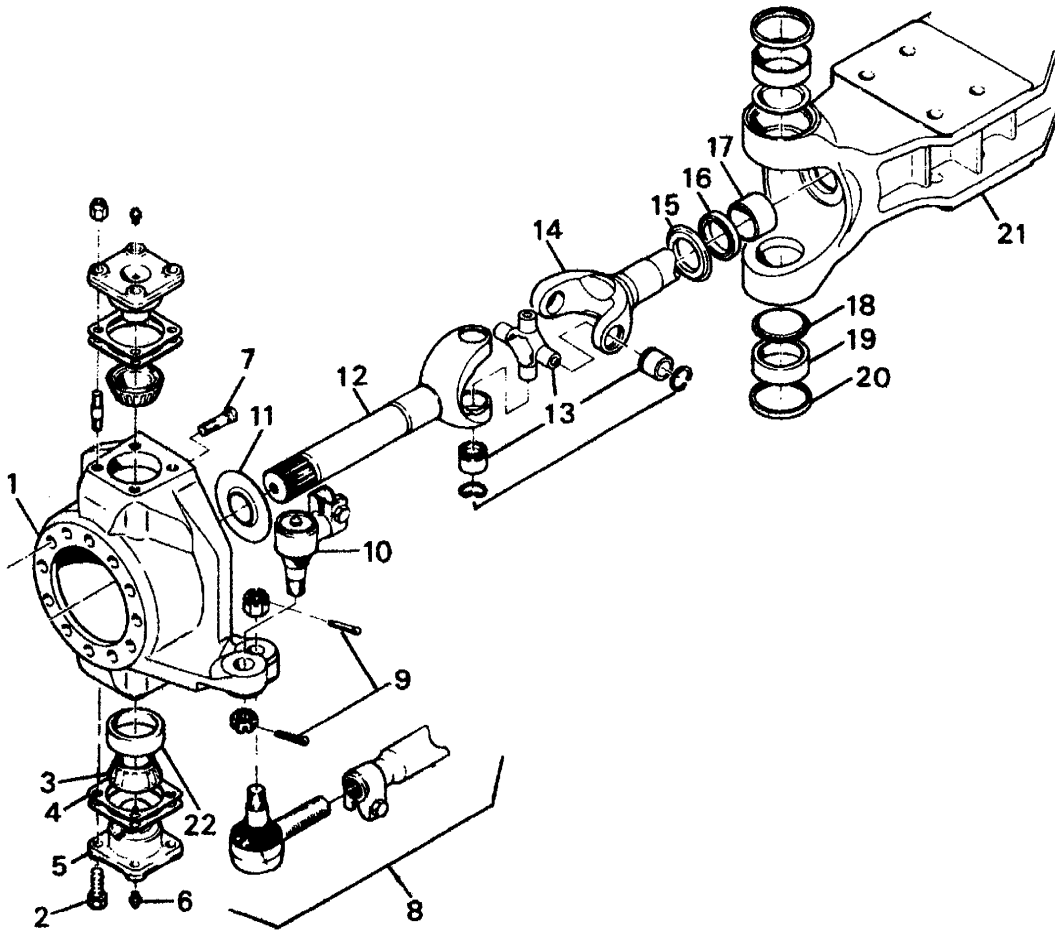
AXLE ASSEMBLY (59450502) - INTERNAL BREAKDOWN - SHEET 1 OF 4



AXLE ASSEMBLY (59450502) - INTERNAL BREAKDOWN - SHEET 1 OF 4

ITEM	COMM. NO.	DESCRIPTION	QTY	DIMENSIONS/NOTES
		BOM 59450502		
16	_____	Shim (Pinion Bearing Retainer Position)		
-	58766023	-Shim (.10)	A/R	
-	58800665	-Shim (.030)	A/R	
-	58800673	-Shim (.005)	A/R	
17	58801309	Ring Gear and Pinion Assembly	1	
18	58785841	Lock Nut (Steering Axle Only)	10	
19	59564153	Flat Washer	10	
20	58785882	Carrier Sub-Assembly and Cap (Steering Axle Only)	1	
22	58800616	Adjusting Ring (Differential)	2	
23	58800624	Bearing Cup (Differential)	2	
24	58800582	Bearing Cone (Differential)	2	
26	58800509	Differential Case Assembly Kit	1	
27	58800533	Thrust Washer (Differential Gear)	2	
28	58800541	Thrust Washer (Differential Pinion)	4	
29	58800566	Differential Pinion	4	
30	58800525	Differential Shaft	1	
31	58800574	Differential Gear	2	
32	58800632	Solid Rivet	14	
33	58800517	Hex Bolt	8	
34	59488841	Bearing Adjuster Ring Lock	2	
35	59526426	Pipe Recessed Drive Plug (Magnetic Drain)	1	
36	58800657	Cotter Pin	2	
37	_____	Stud (Steering Axle Only)		
—	58801614	-2.00" O.A.L.	6	
—	58801622	-.38" O.A.L.	2	
—	58801630	-.81" O.A.L.	2	
38	59564021	Pipe Recessed Drive Plug	1	
39	59525568	Vent	1	

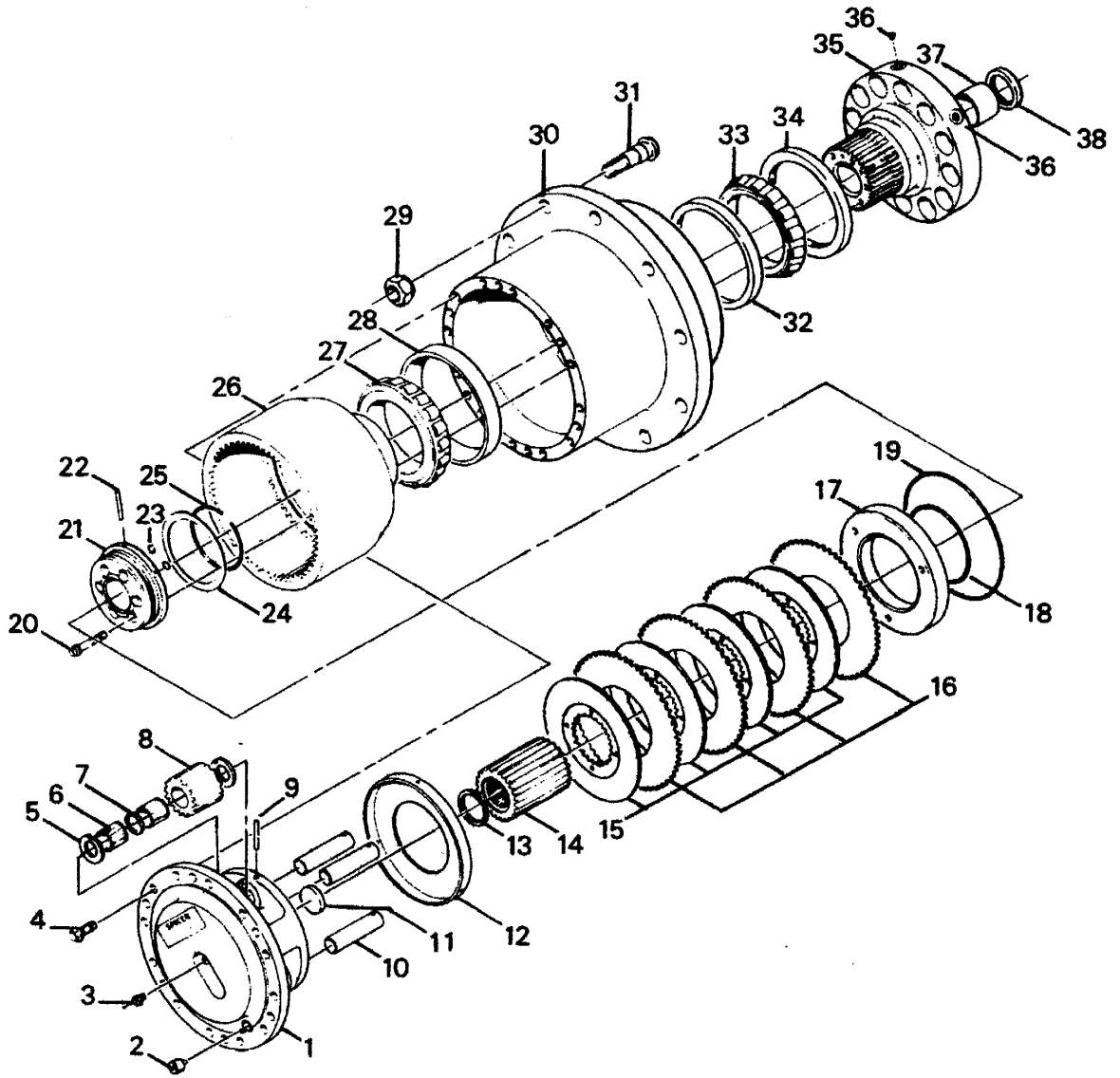
AXLE ASSEMBLY (59450502) - INTERNAL BREAKDOWN - SHEET 2 OF 4



AXLE ASSEMBLY (59450502) - INTERNAL BREAKDOWN - SHEET 2 OF 4

ITEM	COMM. NO.	DESCRIPTION	QTY	DIMENSIONS/NOTES
		BOM 59450502		
-		Outer End	1	
1	59486852	Steering Knuckle (L.F./R.R.)	1	
-	59486845	Steering Knuckle (R.F./L.R.)	1	
2	58785833	-H.H.C.S. (.50)	8	
3	59483446	-Cone Bearing (King Pin Cap)	2	
4	59483412	-Shim (.005)(King Pin Cap)	A/R	
-	59490888	-Shim (.010)(King Pin Cap)	A/R	
5	59483453	-King Pin Cap	2	
6	58785858	-Grease Fitting	2	
7	58800707	-Stud (Spindle Mounting with Disc Brake)	12	
8	58800749	-Tie Rod	1	
-	58774225	-Socket (L.F./R.R.)	1	16" Fine Thread
-	58774233	-Socket (R.F./L.R.)	1	12" Coarse Thread
9	59483511	Cotter Pin (One Per Socket Assembly)	6	
10	58774241	Steering Cylinder Socket Assembly	1	
11	58784570	-Deflector	1	
12	58784588	-Spindle Yoke Outer Shaft	1	
13	58784539	-U-Joint Cross Assembly	1	
14	58800699	-Inner Yoke Shaft (R.H.)	1	
15	58784562	-Deflector	1	
16	58767997	-Seal Oil	1	
17	59496927	Bushing	1	
18	59476002	Grease Retainer	2	
19	59483438	Cup Bearing	2	
20	59496935	King Pin Seal	2	
21	58800681	Steering Axle Housing	1	

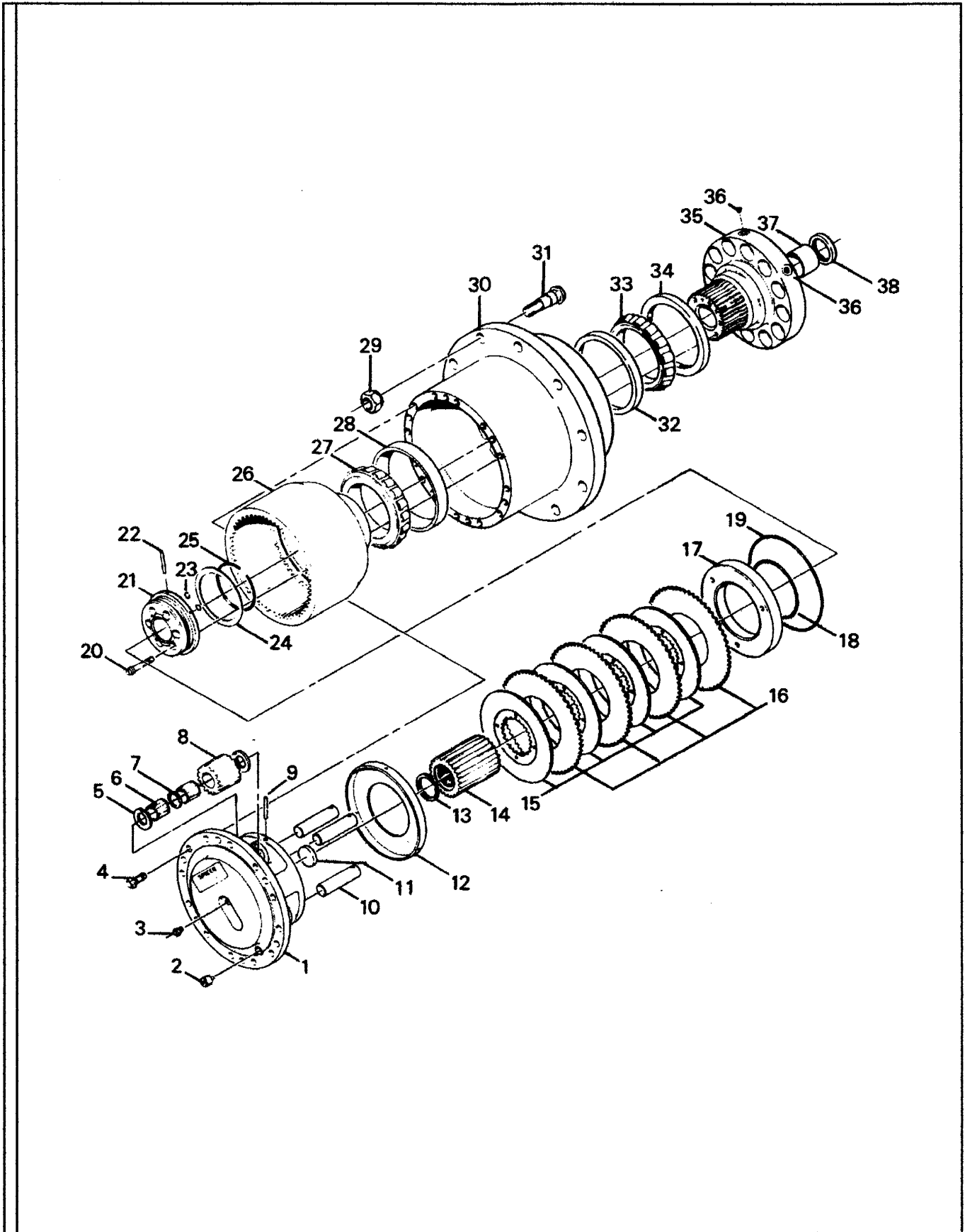
AXLE ASSEMBLY (59450502) - INTERNAL BREAKDOWN - SHEET 3 OF 4



AXLE ASSEMBLY (59450502) - INTERNAL BREAKDOWN - SHEET 3 OF 4

ITEM	COMM. NO.	DESCRIPTION	QTY	DIMENSIONS/NOTES
		BOM 59450502		
-	59022038	Wheel End	1	
-	58974890	Planetary Gear Assembly	1	Includes Items 1 - 12
1	59487983	Drive Planetary Flange	1	Included in Gear Assy.
2	59526426	Pipe Recessed Drive Plug (Magnetic)	1	Included in Gear Assy.
3	59498188	Vent	1	Included in Gear Assy.
4	59490334	Hex Self-Locking Screw	18	Included in Gear Assy.
5	59526079	Keyed Washer	6	Included in Gear Assy.
6	59619502	Needle Roller Bearing	150	Included in Gear Assy.
7	59526087	Planet Gear Washer	3	Included in Gear Assy.
8	59488866	Spur Planet Gear	3	Included in Gear Assy.
9	59490714	Roll Pin	3	Included in Gear Assy.
10	59498212	Planet Gear Shaft	3	Included in Gear Assy.
11	59564229	Drive Flange Washer	1	Included in Gear Assy.
12	59487991	Plate-Lining Stop	1	Included in Gear Assy.
13	58800772	Snap Ring (Steering Axle)	1	
14	59487553	Spur Gear (Steering Axle)	1	
15	59438952	Friction Disc Assembly	4	
16	58773763	Plate-Lining Stop	4	
17	59490722	Piston	1	
18	59488106	O-Ring	1	
19	59486936	O-Ring	1	
20	59488890	Cap Screw (12 Pt.)	6	
21	58800806	Bearing Adjusting Ring Retainer	1	
22	59497024	Brake Tubing	1	
23	59438937	O-Ring	2	
24	59490565	Adjusting Shim (.010)	A/R	
—	59490599	Adjusting Shim (.011)	A/R	
—	59490607	Adjusting Shim (.012)	A/R	
—	59490615	Adjusting Shim (.013)	A/R	
—	59490623	Adjusting Shim (.014)	A/R	
—	59490516	Adjusting Shim (.015)	A/R	
—	59490573	Adjusting Shim (.020)	A/R	
—	59490581	Adjusting Shim (.030)	A/R	
25	59488098	O-Ring	1	
26	59487561	Planetary Gear	1	
27	58800780	Cone Bearing (Outer)	1	
28	59490839	Cup Bearing (Outer)	1	
29	58800764	Wheel Mounting Nut	10	

AXLE ASSEMBLY (59450502) - INTERNAL BREAKDOWN - SHEET 3 OF 4

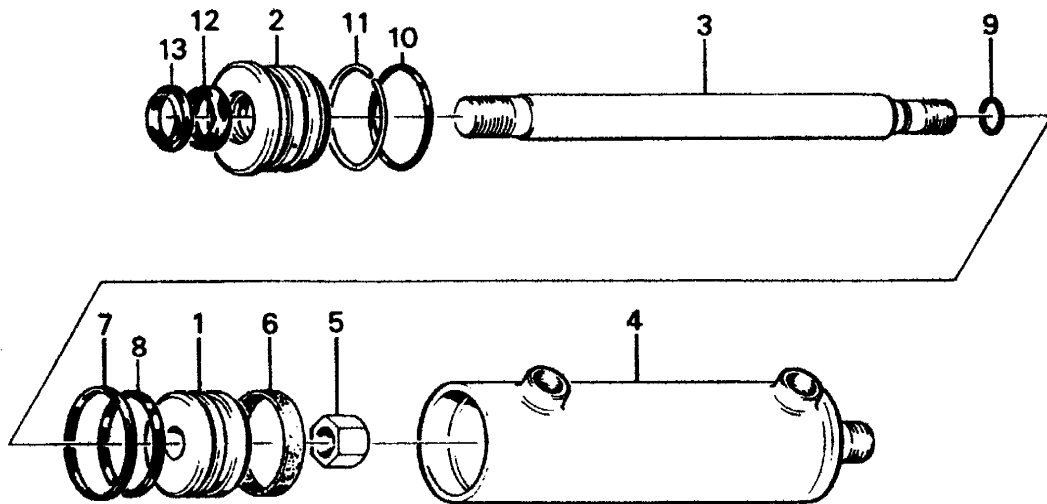




AXLE ASSEMBLY (59450502) - INTERNAL BREAKDOWN - SHEET 3 OF 4

ITEM	COMM. NO.	DESCRIPTION	QTY	DIMENSIONS/NOTES
		BOM 59450502		
30	58800822	Planetary Hub	1	
31	58800814	Wheel Mounting Bolt	10	
32	59487975	Cup Bearing (Inner)	1	
33	59486878	Cone Bearing (Inner)	1	
34	59438945	Oil Seal	1	
35	58800855	Wheel Spindle (Steering Axle)	1	
36	59488882	Insert Seat	2	
37	59564120	Spindle Bushing (Steering Axle)	1	
38	59490896	Oil Seal (Steering Axle)	1	
39	59487942	Bleeder (Not Shown)	1	
40	59487959	Fitting, Brake Line Hose (Not Shown)	12	
		Note: Items 39 and 40 are installed in Item 35.		

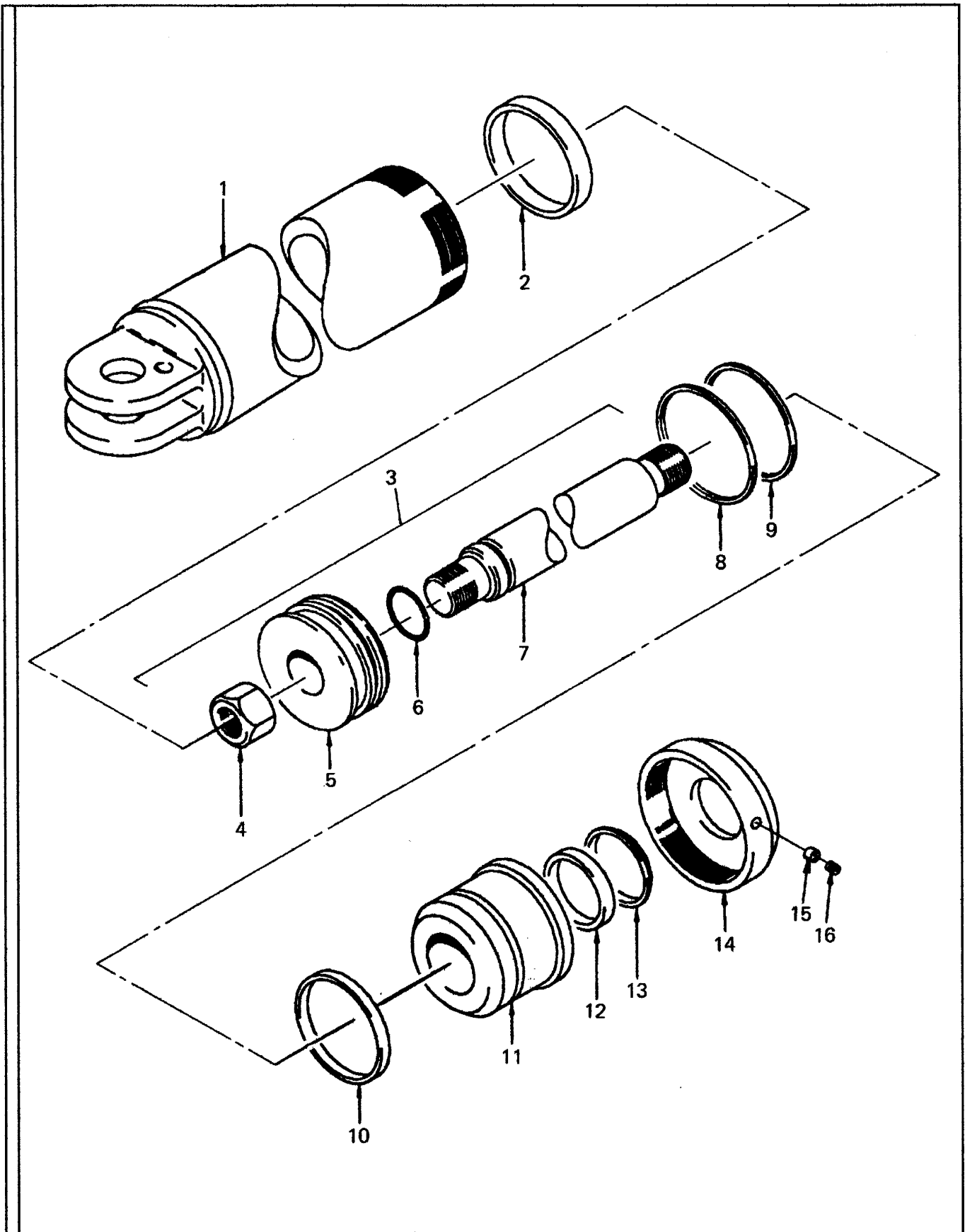
AXLE ASSEMBLY (59450502) - INTERNAL BREAKDOWN - SHEET 4 OF 4



AXLE ASSEMBLY (59450502) - INTERNAL BREAKDOWN - SHEET 4 OF 4

ITEM	COMM. NO.	DESCRIPTION	QTY	DIMENSIONS/NOTES
		BOM 59450502		
-	58792136	Steering Cylinder	1	
-	59484246	-Seal Kit (Includes items 1 thru 8)	1	
1	N.S.S.	-Wear Strip	1	
2	N.S.S.	-Seal,Slipper	1	
3	N.S.S.	-O-Ring	1	
4	N.S.S.	-Static Rod Seal	1	
5	N.S.S.	-Static Gland Seal	1	
6	N.S.S.	-Lock Wire	1	
7	N.S.S.	-Rod Seal U-Cup	1	
8	N.S.S.	-Rod Wiper	1	
9	N.S.S.	Piston	1	
10	N.S.S.	Gland	1	
11	N.S.S.	Rod	1	
12	N.S.S.	Barrel Assembly	1	
13	N.S.S.	Lock Nut	1	

AXLE CYLINDER (59450122) - INTERNAL BREAKDOWN



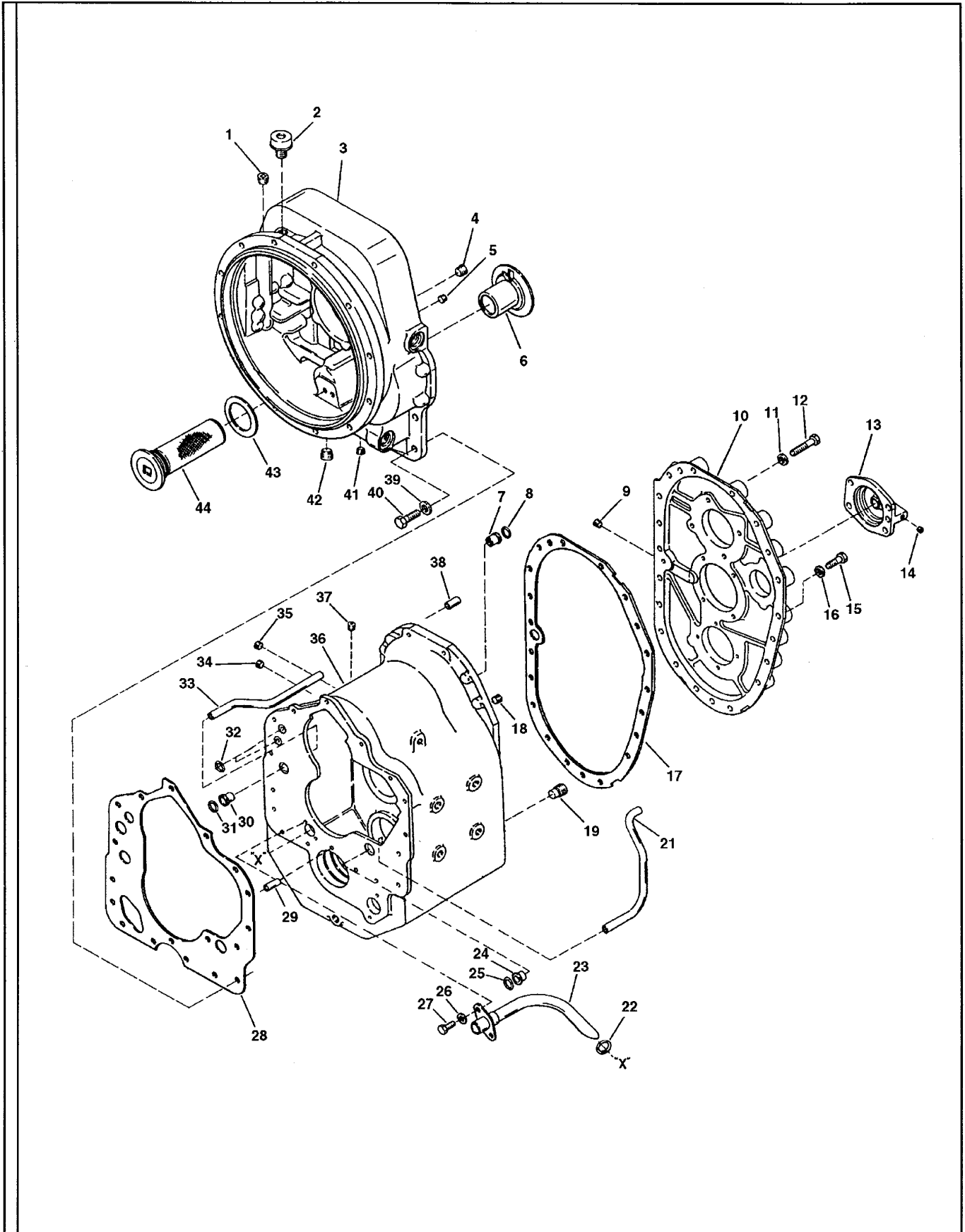
VR-90B

**AXLE CYLINDER (59450122) - INTERNAL BREAKDOWN**

<b>ITEM</b>	<b>COMM. NO.</b>	<b>DESCRIPTION</b>	<b>QTY</b>	<b>DIMENSIONS/NOTES</b>
		<small>BOM 59450122</small>		
1	N.S.S.	Barrel	1	
2	N.S.S.	Wear Ring	1	Included with Item A
3	58753971	Rod Assembly (Includes items 11 thru 14)	1	
4	59476432	Nut	1	
5	59446344	Piston	1	
6	58753989	O-Ring (Included with item 2)	1	
7	58753997	Rod	1	
8	N.S.S.	Piston Seal	1	Included with Item A
9	N.S.S.	O-Ring	1	Included with Item A
10	N.S.S.	Gland Static Seal	1	Included with Item A
11	59476572	Gland	1	Included with Item 3
12	N.S.S.	Rod Seal	1	Included w/ Items 3 & A
13	N.S.S.	Rod Wiper	1	Included w/ Items 3 & A
14	59476580	Collar	1	Included with Item 3
15	59477026	Nylon Insert	1	
16	59477018	Set Screw	1	
A	59439141	Seal Kit (Includes items 2, 8, 9, 10, 12, and 13)	1	

TRANSMISSION - (59111872) - INTERNAL BREAKDOWN

Page 1 of 8

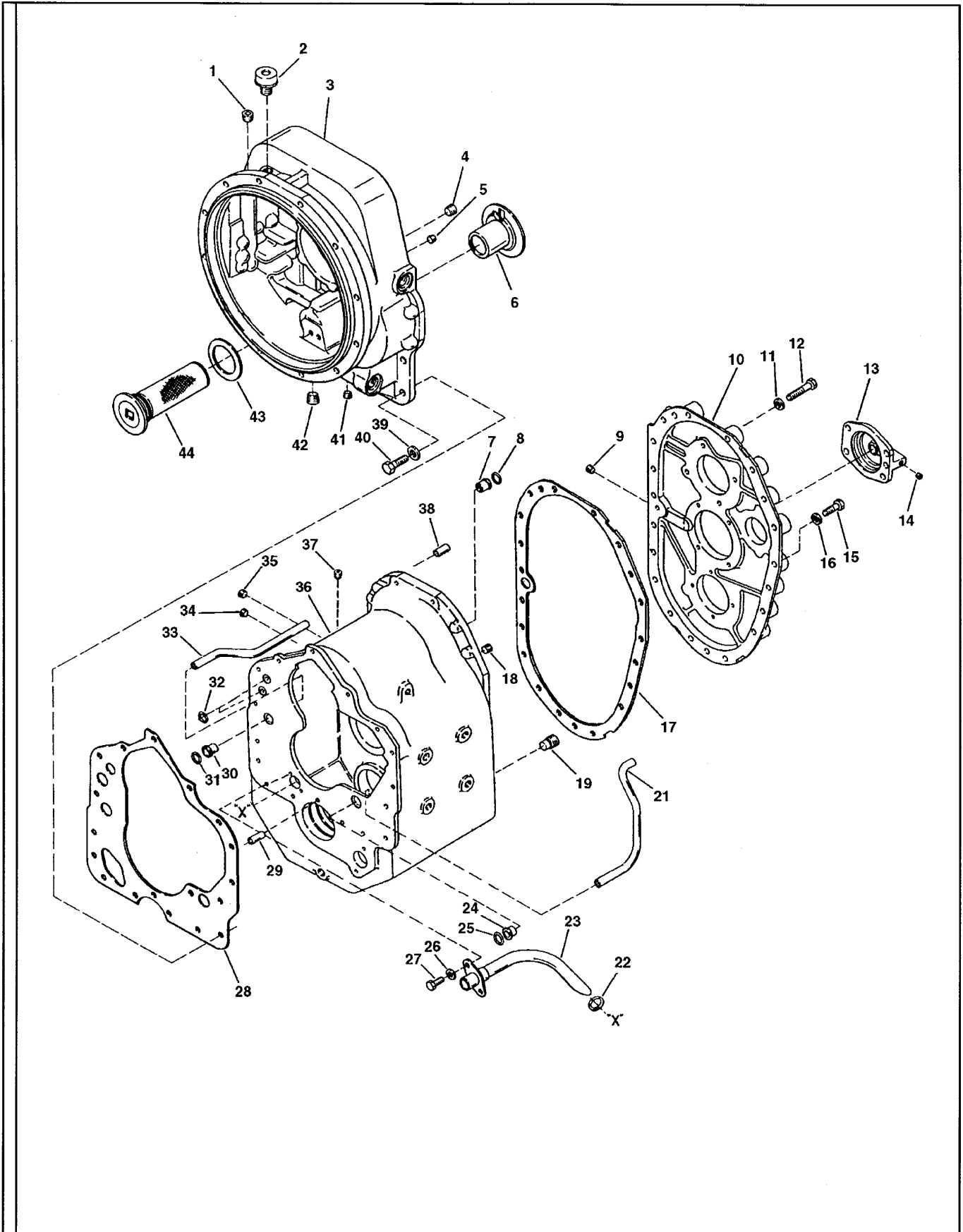


TRANSMISSION - (59111872) - INTERNAL BREAKDOWN

Page 1 of 8

ITEM	COMM. NO.	DESCRIPTION	QTY	DIMENSIONS/NOTES
		BOM 59111872		
-	-	Converter Housing, Transmission Case, and Rear Cover Group		
1	51009108	Pipe Plug	1	
2	51009116	Air Breather	1	
3	59481275	Converter Housing	1	
4	59481309	Pipe Plug	1	
5	51009132	Pipe Plug	1	
6	50959949	Converter Housing Sleeve	1	
7	50755024	Tube Sleeve	1	
8	50847425	Pressure Tube O-Ring	1	
9	51009132	Cover Pipe Plug	1	
10	59481317	Rear Cover and Plug Assembly (Includes Item 9)	1	
11	58885989	Rear Cover to Case Screw Lockwasher	10	
12	58885997	Rear Cover to Case Screw	10	
13	59481325	Low Shaft Rear Bearing Cap Assembly (Includes Item 14)	1	
14	59481333	Plug	1	
15	58885997	Rear Cover to Case Screw	10	
16	58885989	Rear Cover to Case Screw Lockwasher	10	
17	59481341	Rear Cover to Case Gasket	1	
18	50754753	Pipe Plug	1	
19	59121152	Magnetic Drain Plug	2	
21	59481358	Clutch Lube Tube	1	
22	51009165	Suction Line O-Ring	1	
23	59481366	Suction Tube Assembly	1	
24	51009181	Tube Sleeve	1	
25	50847425	Pressure Tube O-Ring	1	
26	50756337	Retainer Screw Lockwasher	2	
27	50753920	Suction Line Retainer Screw	2	
28	59481374	Converter Housing to Transmission Case Gasket	1	
29	50754878	Dowel	1	
30	50755024	Tube Sleeve	1	
31	50847425	Pressure Tube O-Ring	1	
32	59481382	Clutch Pressure O-Ring	2	
33	50959964	Low Speed Clutch Pressure Tube	1	
34	50754753	Pipe Plug	1	
35	51009157	Pipe Plug	1	

TRANSMISSION - (59111872) - INTERNAL BREAKDOWN  
Page 1 of 8 - continued



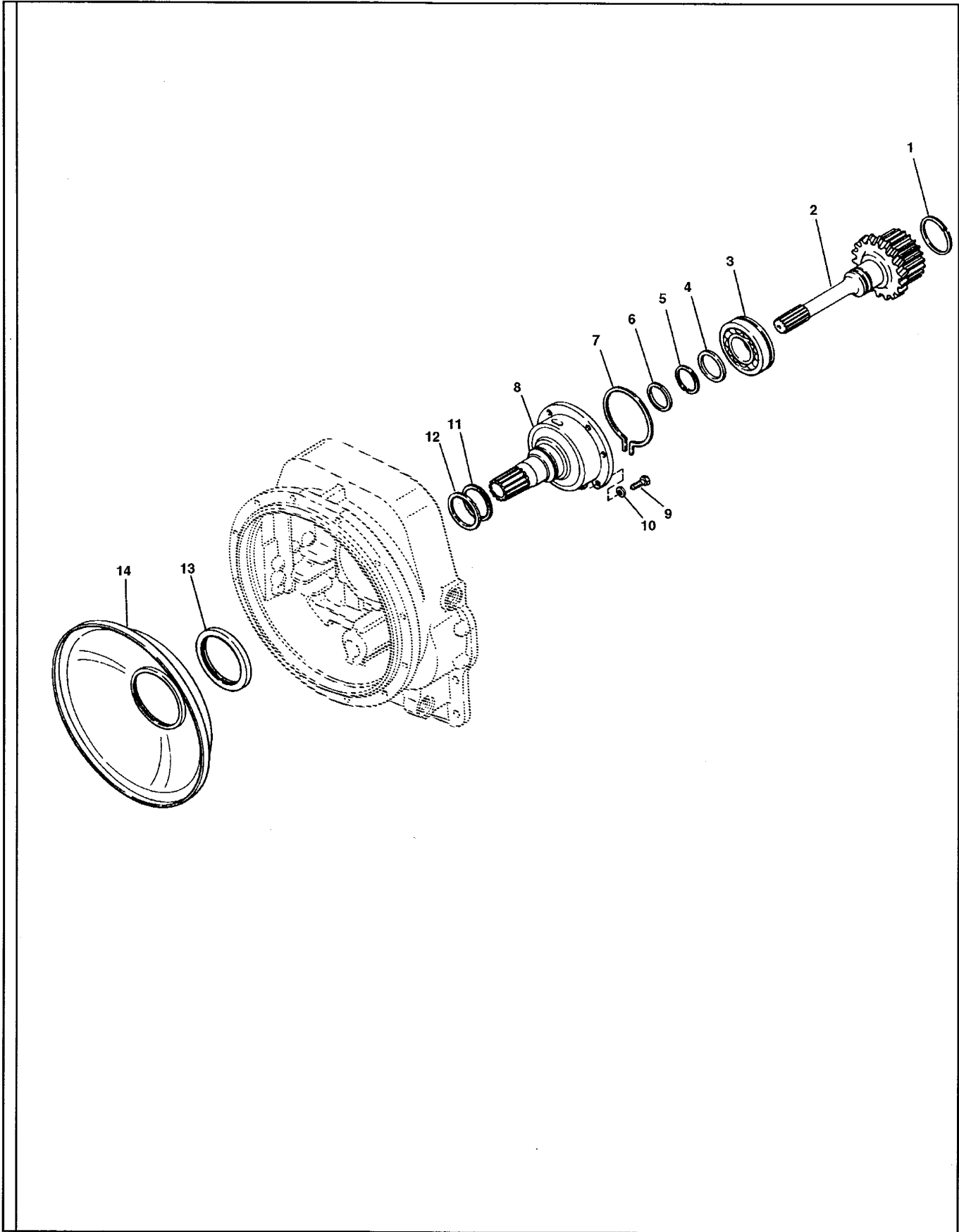


## TRANSMISSION - (59111872) - INTERNAL BREAKDOWN

Page 1 of 8 - continued

ITEM	COMM. NO.	DESCRIPTION	QTY	DIMENSIONS/NOTES
36	59481390	Transmission Case Assembly (Includes Items 7,21,22,23,24,26,27,30,33)	1	
37	50801257	Dipstick Hole Plug	1	
38	50754878	Case to Cover Dowel Pin	2	
39	58885989	Housing to Case Screw Lockwasher	16	
40	59121160	Housing to Case Screw	16	
41	51009132	Pipe Plug	1	
42	59481309	Pipe Plug	1	
43	50848373	Screen Assembly Gasket	1	
44	50756055	Screen Assembly	1	

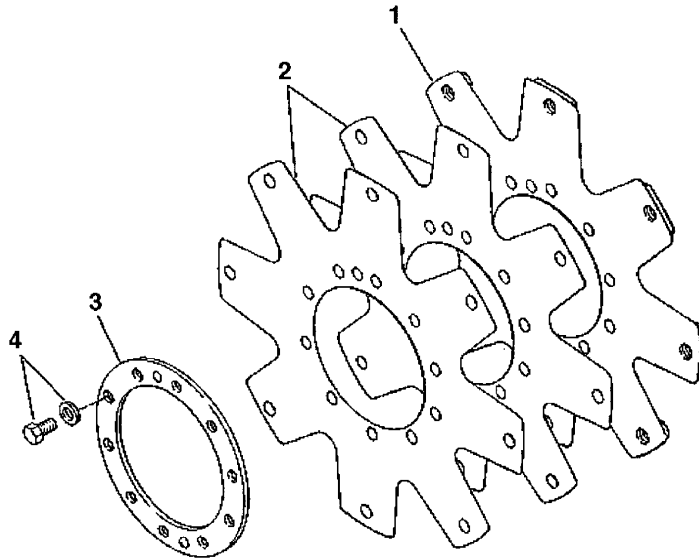
TRANSMISSION - (59111872) - INTERNAL BREAKDOWN



TRANSMISSION - (59111872) - INTERNAL BREAKDOWN

Page 2 of 8

ITEM	COMM. NO.	DESCRIPTION	QTY	DIMENSIONS/NOTES
-	-	Turbine Shaft Stator Suport, and Oil Baffle Group		
1	59481218	Retaining Ring - (Included in Item 2)	1	
2	59481416	Turbine Shaft and Retaining Ring Assembly	1	
3	51008969	Turbine Shaft Bearing	1	
4	50958388	Bearing Locating Washer	1	
5	50959519	Bearing Retaining Ring	1	
6	50959527	Piston Ring	1	
7	50958362	Bearing Snap Ring	1	
8	58886011	Stator Support	1	
9	59481440	Stator Support Screw	6	
10	50756345	Stator Support Screw Lockwasher	6	
11	50959568	Piston Ring Expander Spring	1	
12	50959550	Piston Ring	1	
13	50959592	Oil Seal	1	
14	50959600	Oil Baffle Assembly	1	

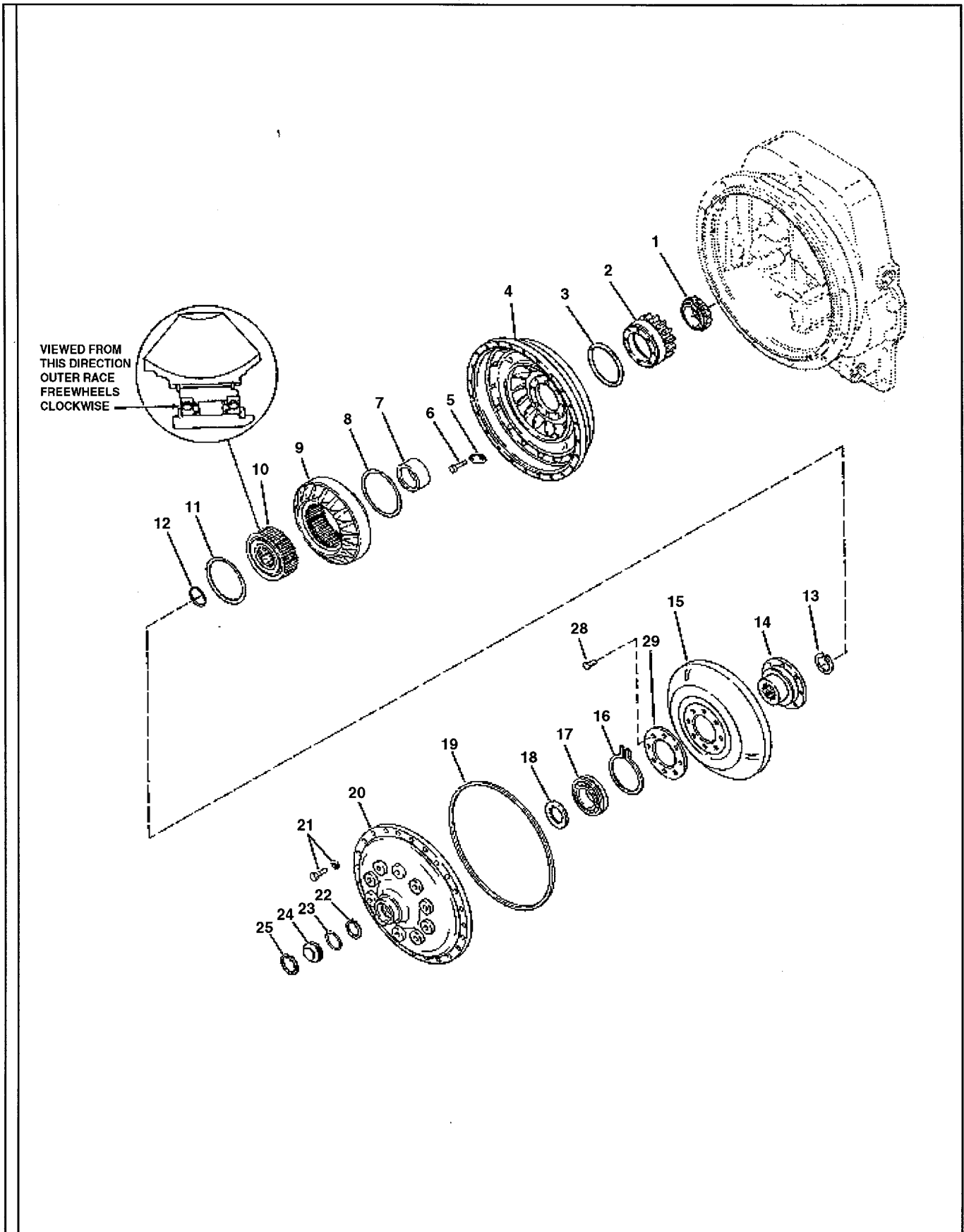


## TRANSMISSION - (59111872) - INTERNAL BREAKDOWN

Page 3 of 8

ITEM	COMM.NO.	DESCRIPTION	QTY	DIMENSIONS/NOTES
-	-	Drive Plate Group		
1	59481457	Driveplate Assembly Kit (Includes Items 2,3,and 4)	1	
2	N.S.S.	Driveplate	1	
3	58886029	Driveplate Backing Ring	1	
4	58886284	Driveplate Mounting Screw	10	
-	58886292	-Driveplate Mounting Screw Lockwasher	10	

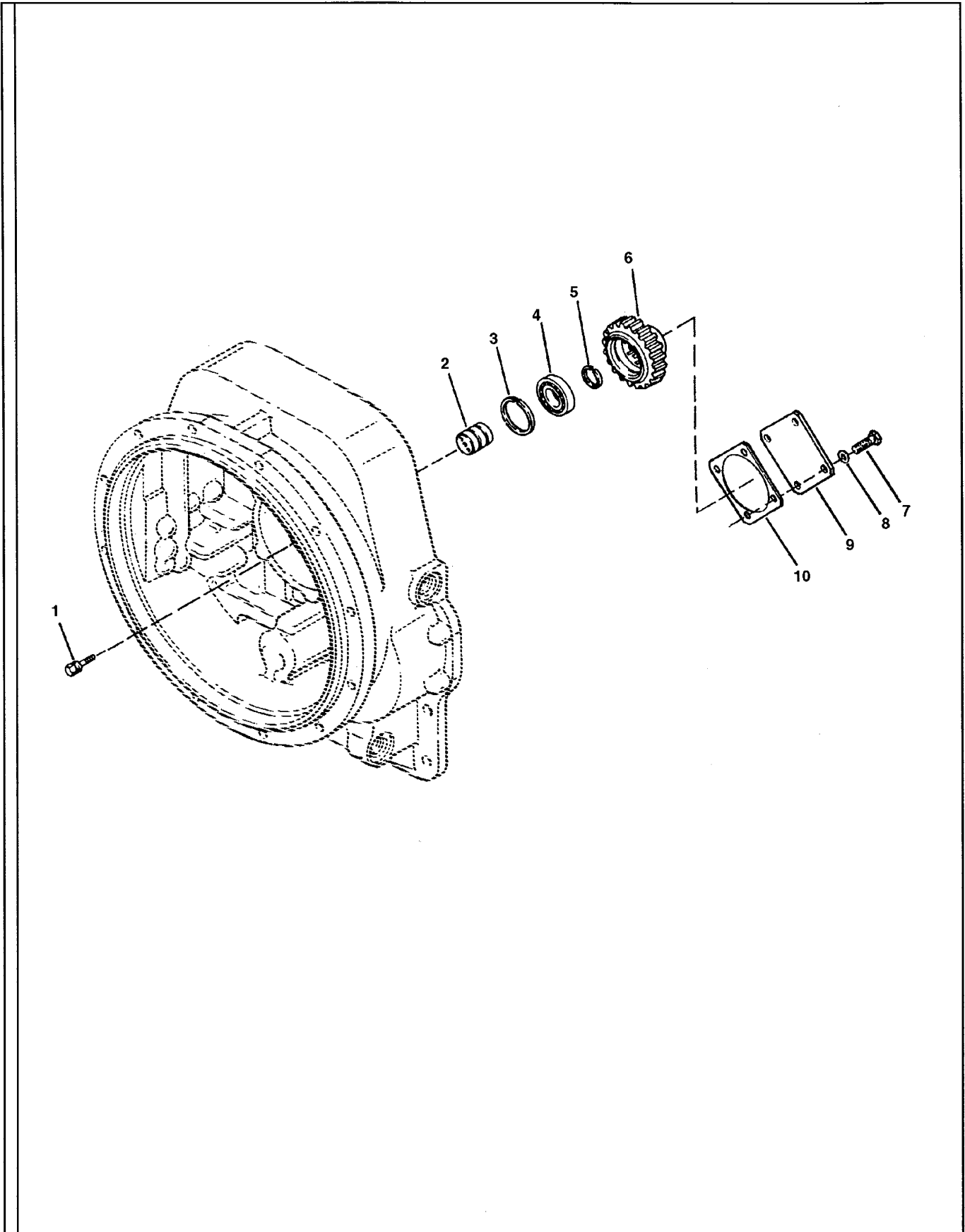
TRANSMISSION - (59111872) - INTERNAL BREAKDOWN



## TRANSMISSION - (59111872) - INTERNAL BREAKDOWN

Page 4 of 8

ITEM	COMM. NO.	DESCRIPTION	QTY	DIMENSIONS/NOTES
-	-	Torque Converter Assembly		
1	50959675	Impeller Hub Gear Bearing	1	
2	50959683	Impeller Hub Gear	1	
3	50959691	Impeller Hub O-Ring	1	
4	59050450	Impeller	1	
5	50959717	Impeller to Hub Screw Lock Tab	4	
6	59481580	Impeller to Hub Screw	8	
7	59481465	Reaction Member Spacer	1	
8	59481473	Freewheel Outer Race Snap Ring	1	
9	59481481	Reaction Member	1	
10	59481523	Freewheel Assembly	1	
11	59481473	Freewheel Outer Race Snap Ring	1	
12	58886037	Inner Race Retaining Ring	1	
13	58886045	Turbine Retaining Ring	1	
14	59481549	Turbine Hub		
15	59481556	Turbine		
16	50959774	Turbine Hub Bearing Locating Ring	1	
17	50959782	Turbine Hub Bearing	1	
18	50959790	Bearing Retaining Washer	1	
19	50847490	Impeller to Cover O-Ring	1	
20	59481564	Impeller Cover (Includes Item 25)	1	
21	59481440	Impeller to Cover Screw	24	
-	50756345	-Impeller to Cover Screw Lockwasher	24	
22	N.S.S.	Turbine Retaining Ring	1	
23	59121178	Impeller Cover Bore Plug O-Ring	1	
24	50959824	Bore Plug	1	
25	58886052	Bore Plug Retaining Ring	1	
28	N.S.S.	Turbine to Hub Screw	12	
29	N.S.S.	Turbine to Hub Screw Ring	1	





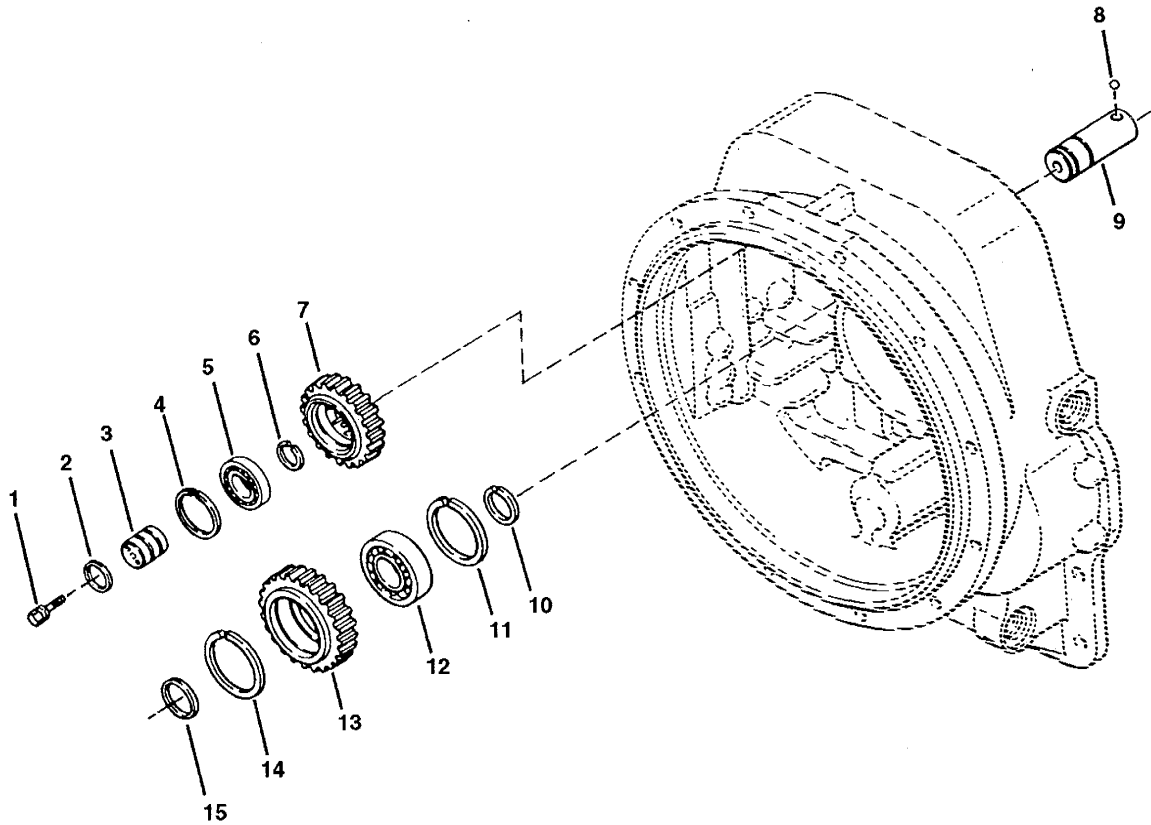
## TRANSMISSION - (59111872) - INTERNAL BREAKDOWN

Page 5 of 8

ITEM	COMM. NO.	DESCRIPTION	QTY	DIMENSIONS/NOTES
		Auxilliary Pump Drive Parts Group		
1	N.S.S.	Bearing Support Screw	2	
-	N.S.S.	-Bearing Suport Screw Lockwasher	2	
2	50958263	Auxiliary Pump Drive Bearing Support	1	
3	50958305	Bearing Retaining Ring	1	
4	50958321	Pump Drive Gear Bearing	1	
5	50958255	Bearing Locating Ring	1	
6	50959873	Auxiliary Pump Drive Gear	1	
7	N.S.S.	Pump Mtg. Cover Capscrew	2	
8	N.S.S.	Pump Mtg. Cover Capscrew Lockwasher	2	
9	N.S.S.	Pump Mtg. Cover	1	
10	N.S.S.	Pump Mft. Cover Gasket	1	

TRANSMISSION - (59111872) - INTERNAL BREAKDOWN

Page 6 of 8



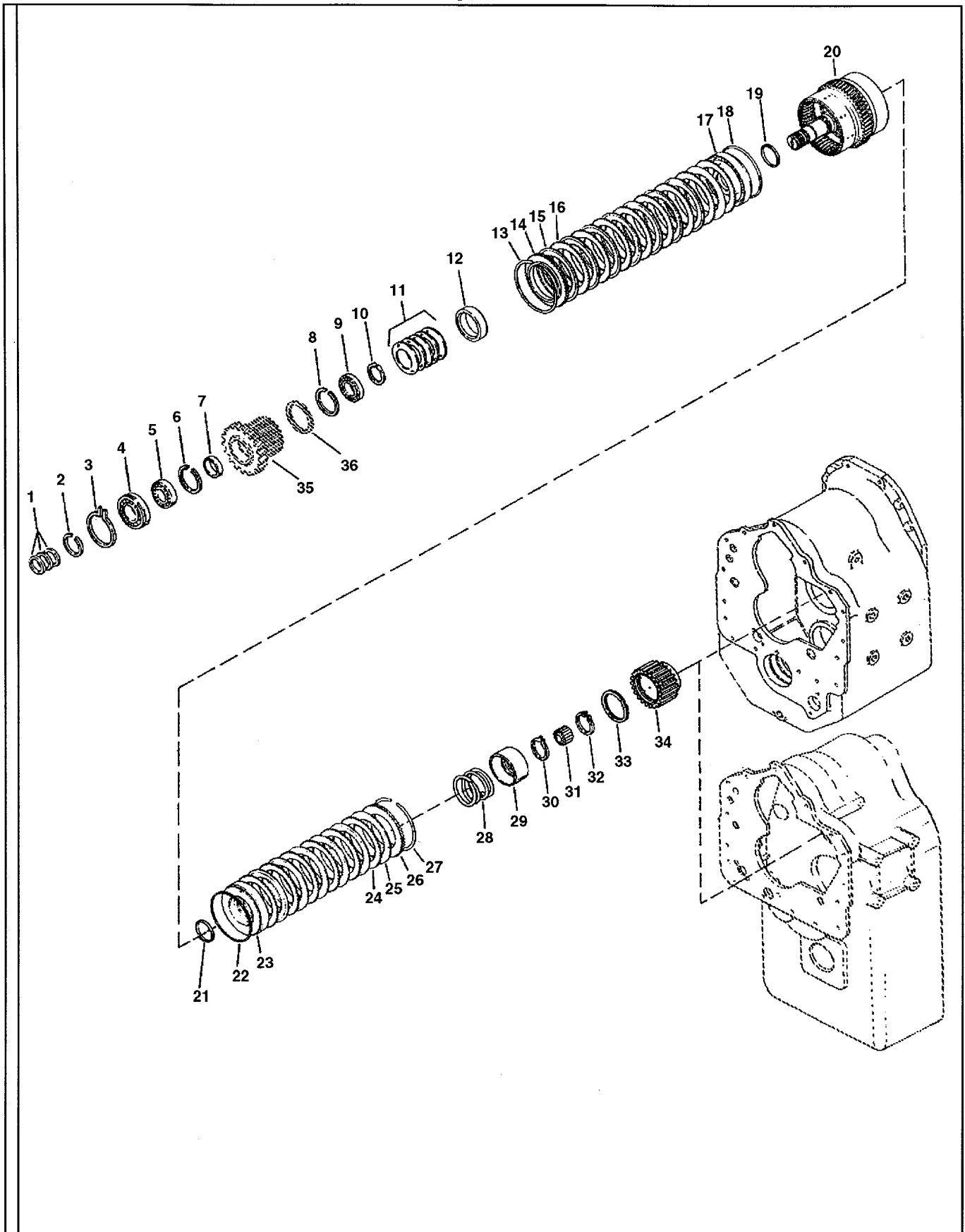
## TRANSMISSION - (59111872) - INTERNAL BREAKDOWN

Page 6 of 8

ITEM	COMM. NO.	DESCRIPTION	QTY	DIMENSIONS/NOTES
		Charging Pump Drive Group		
1	N.S.S.	Bearing Support Screw	2	
-	N.S.S.	-Bearing Support Screw Lockwasher	2	
2	50958255	Bearing Locating Ring	1	
3	50958263	Pump Drive Bearing Support	1	
4	50958271	Bearing Retaining Ring	1	
5	50958289	Pump Drive Gear Bearing	1	
6	50958255	Bearing Locating Ring	1	
7	50958297	Pump Drive Gear	1	
8	N.S.S.	Stub Shaft Lock Ball	1	
9	50958339	Idler Gear Stub Shaft	1	
10	N.S.S.	Bearing Locating Ring	1	
11	50958305	Bearing Retaining Ring	1	
12	50958321	Idler Stub Shaft Bearing	1	
13	50958313	Pump Drive Idler Gear	1	
14	N.S.S.	Idler Gear Bearing Retaining Ring	1	
15	N.S.S.	Idler Gear Bearing Locating Ring	1	

TRANSMISSION - (59111872) - INTERNAL BREAKDOWN

Page 7 of 8

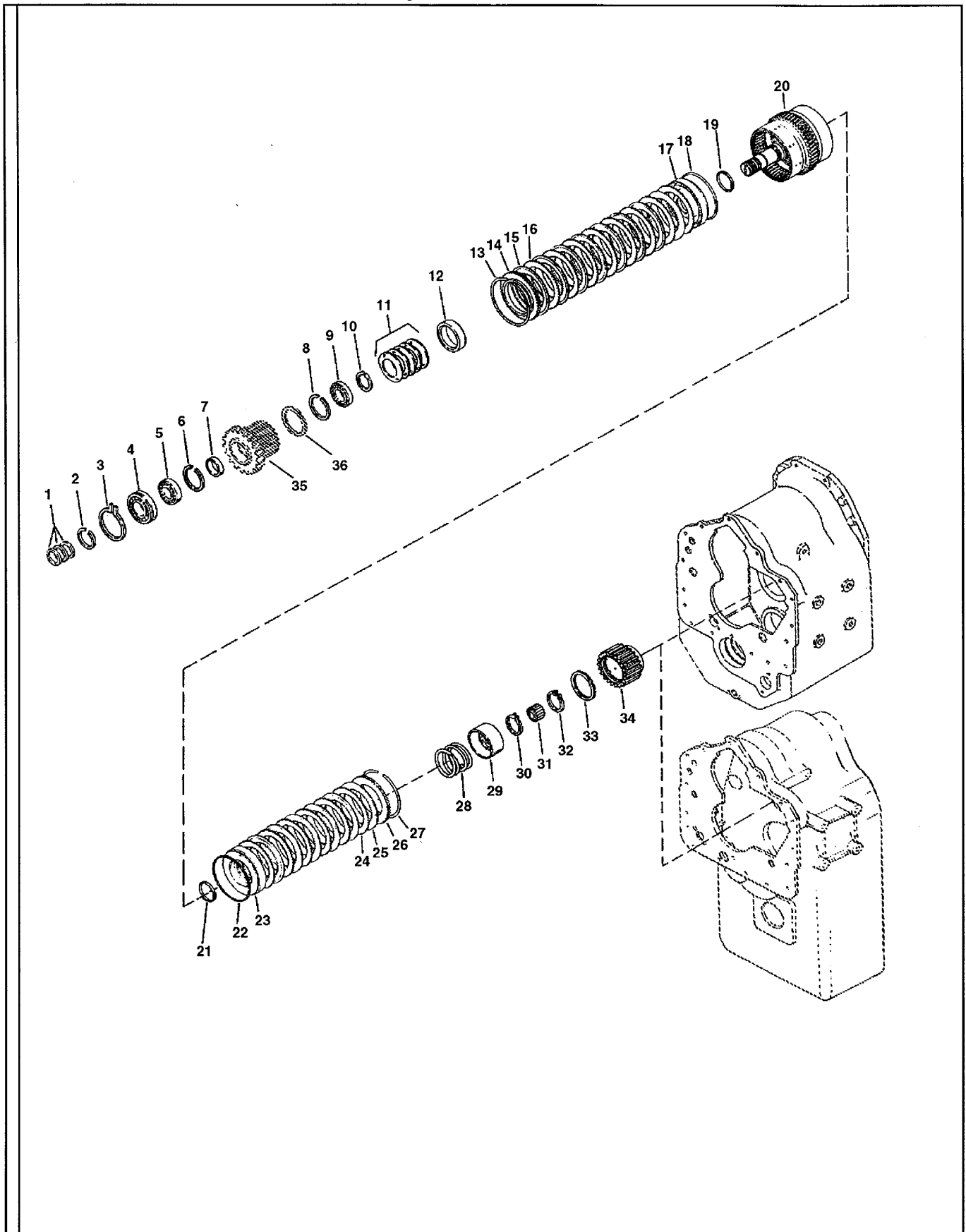


## TRANSMISSION - (59111872) - INTERNAL BREAKDOWN

Page 7 of 8

ITEM	COMM.NO.	DESCRIPTION	QTY	DIMENSIONS/NOTES
		Reverse and 2nd Shaft Group		
1	59050294	Reverse and 2nd Shaft Piston Ring	3	
-	N.S.S.	Piston Ring Expander Spring	3	
2	58886086	Front Bearing Retaining Ring	1	
3	50755446	Front Bearing Snap Ring	1	
4	50755065	Reverse and 2nd Shaft Front Bearing	1	
5	50848431	Clutch Driven Gear Bearing	1	
6	50960186	Bearing Retaining Ring	1	
7	50960194	Clutch Driven Gear Bearing Spacer	1	
8	N.S.S.	Bearing Retaining Ring	1	
9	N.S.S.	Clutch Driven Gear Bearing	1	
10	50960210	Spring Retainer Snap Ring	1	
11	N.S.S.	Piston Return Belleville Springs Assembly	1	
12	50960236	Piston Return Spring Spacer	1	
13	N.S.S.	Backing Plate Snap Ring	1	
14	N.S.S.	Clutch Disc Backing Plate	1	
15	N.S.S.	Clutch Inner Disc	8	
16	N.S.S.	Clutch Outer Disc	8	
17	N.S.S.	Clutch Piston	1	
18	N.S.S.	Outer Clutch Piston Seal	1	
19	N.S.S.	Inner Clutch Piston Seal	1	
20	59481622	Reverse and 2nd Shaft, Drum and Plug Assembly	1	
21	N.S.S.	Inner Clutch Piston Seal	1	
22	N.S.S.	Outer Clutch Piston Seal	1	
23	N.S.S.	Clutch Piston	1	
24	N.S.S.	Clutch Outer Disc	6	
25	N.S.S.	Clutch Inner Disc	6	
26	N.S.S.	Clutch Disc Backing Plate	1	
27	N.S.S.	Backing Plate Snap Ring	1	
28	N.S.S.	Piston Return Spring	1	
29	N.S.S.	Spring Retainer	1	
30	N.S.S.	Spring Retainer Snap Ring	1	
31	50960269	Reverse and 2nd Shaft Rear Bearing	1	
32	50960277	2nd Clutch Disc Hub Snap Ring	1	
33	N.S.S.	Retaining Ring	1	
34	59481648	2nd Clutch Disc Hub and Retaining Ring Assembly (Includes Item 33)	1	

TRANSMISSION - (59111872) - INTERNAL BREAKDOWN  
Page 7 of 8 - continued



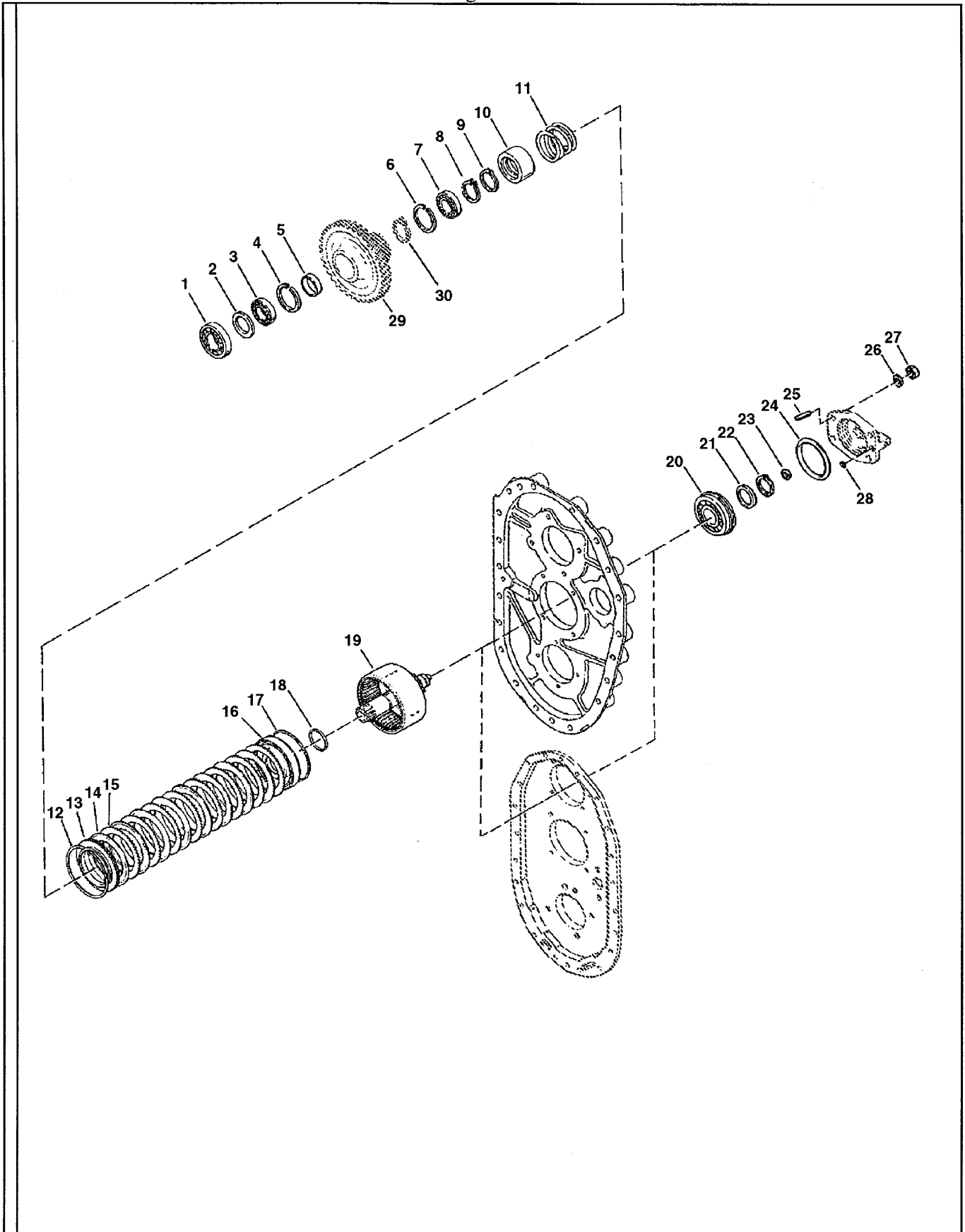
TRANSMISSION - (59111872) - INTERNAL BREAKDOWN

Page 7 of 8 - continued

ITEM	COMM. NO.	DESCRIPTION	QTY	DIMENSIONS/NOTES
-	59121186	Reverse Clutch Gear and Retaining Ring Assembly (Includes Item 36)	1	
-	59481226	Retaining Ring	1	

TRANSMISSION - (59111872) - INTERNAL BREAKDOWN

Page 8 of 8



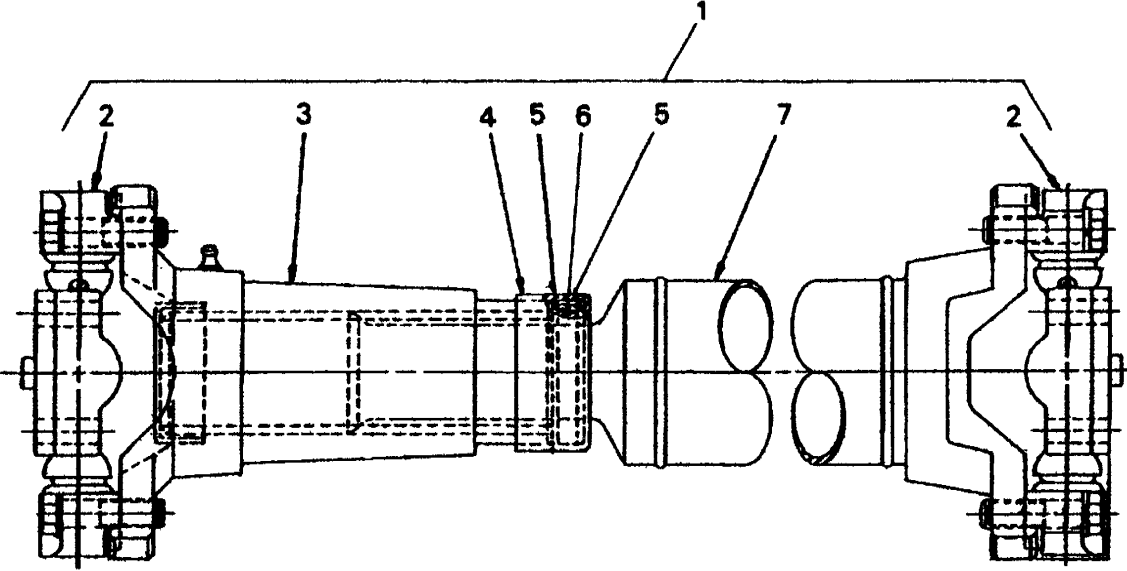


## TRANSMISSION - (59111872) - INTERNAL BREAKDOWN

Page 8 of 8

ITEM	COMM. NO.	DESCRIPTION	QTY	DIMENSIONS/NOTES
		Low Speed Shaft Group		
1	50960335	Low Speed Clutch Shaft Front Bearing	1	
2	50960343	Front Bearing Spacer	1	
3	50755420	Low Speed Gear Bearing	1	
4	50755107	Low Speed Gear Bearing Locating Ring	1	
5	50960350	Low Speed Gear Spacer	1	
6	N.S.S.	Low Speed Gear Bearing Locating Ring	1	
7	N.S.S.	Low Speed Gear Bearing	1	
8	N.S.S.	Low Speed Gear Bearing Retaining Ring	1	
9	N.S.S.	Spring Retainer Snap Ring	1	
10	N.S.S.	Spring Retainer	1	
11	N.S.S.	Piston Return Spring	1	
12	50960665	Backing Plate Snap Ring	1	
13	50960673	Clutch Disc Backing Plate	1	
14	50960681	Clutch Inner Disc	8	
15	50960699	Clutch Outer Disc	8	
16	50960707	Clutch Piston	1	
17	50960715	Outer Clutch Piston Ring	1	
18	50960723	Inner Clutch Piston Seal	1	
19	50960731	Low Clutch Shaft Drum and Bleed Valve Assembly	1	
20	51008928	Low Speed Shaft Rear Bearing	1	
21	N.S.S.	Rear Bearing Support Washer	1	
22	N.S.S.	Rear Bearing Retaining Ring	1	
23	50960517	Low Shaft Piston Ring	1	
24	59481408	Rear Bearing Cap O-Ring	1	
25	N.S.S.	Bearing Cap Stud	4	
26	N.S.S.	Bearing Cap Stud Lockwasher	4	
27	N.S.S.	Bearing Cap Stud Nut	4	
28	59481432	Bearing Cap O-Ring	1	
-	59481226	Low Shaft Gear, Hub and Retaining Ring Assembly	1	
-	59481218	Retaining Ring	1	

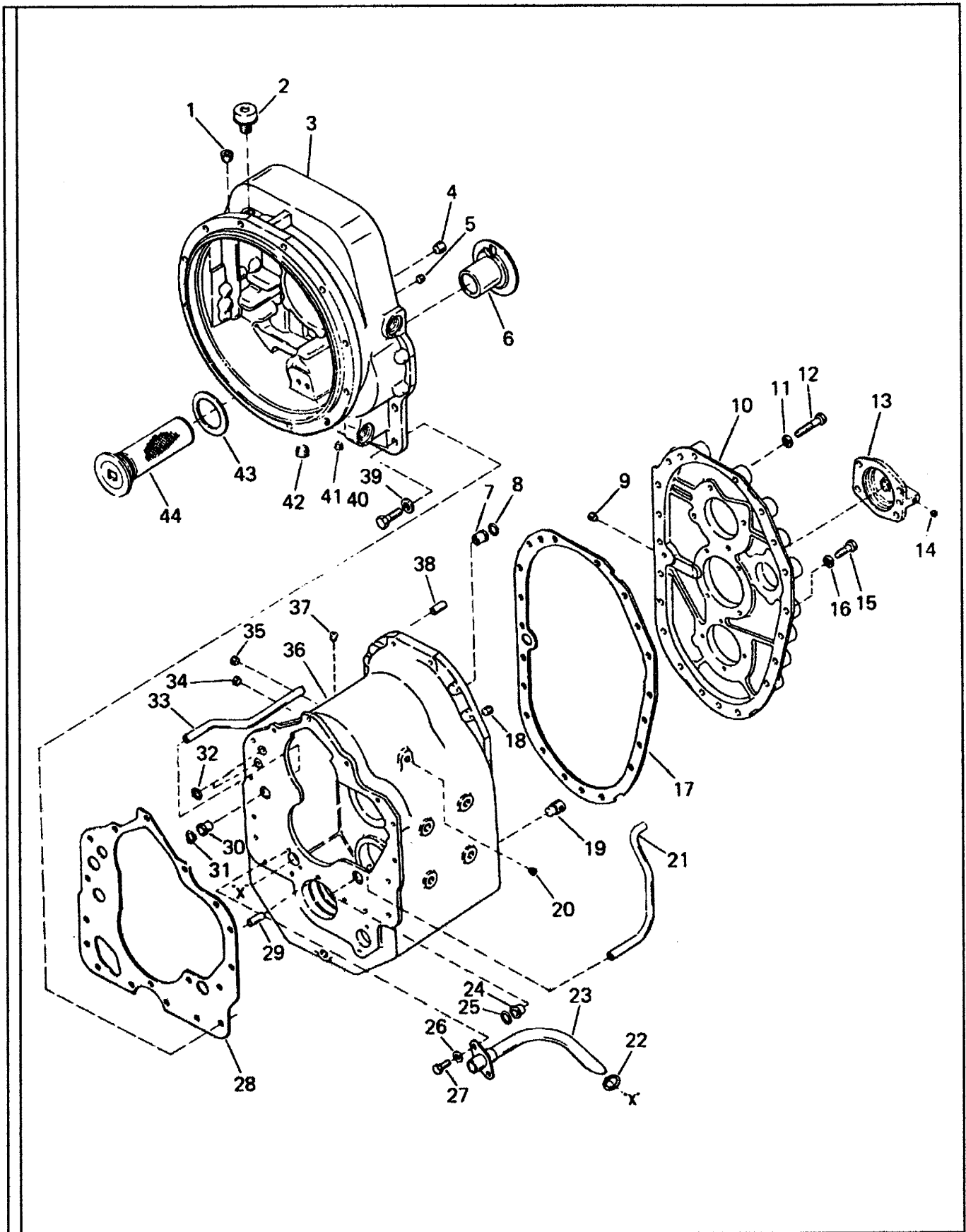
UNIVERSAL SHAFT ASSEMBLY (59450361) - INTERNAL BREAKDOWN



**UNIVERSAL SHAFT ASSEMBLY (59450361) - INTERNAL BREAKDOWN**

ITEM	COMM. NO.	DESCRIPTION	QTY	DIMENSIONS/NOTES
		<small>BOM 59450361</small>		
1	59450361	Universal Shaft Assembly	1	Includes Items 2 thru 7
2	59446153	- Cross and Bearing Assembly	2	
3	59446161	- Slip Yoke	1	
4	59446179	- Dust Cap	1	
5	59446187	- Steel Washer	2	
6	59446195	- Felt Washer	1	
7	59446377	- Tubing Assembly	1	

TRANSMISSION (59494039) - INTERNAL BREAKDOWN SHEET 1 OF 18



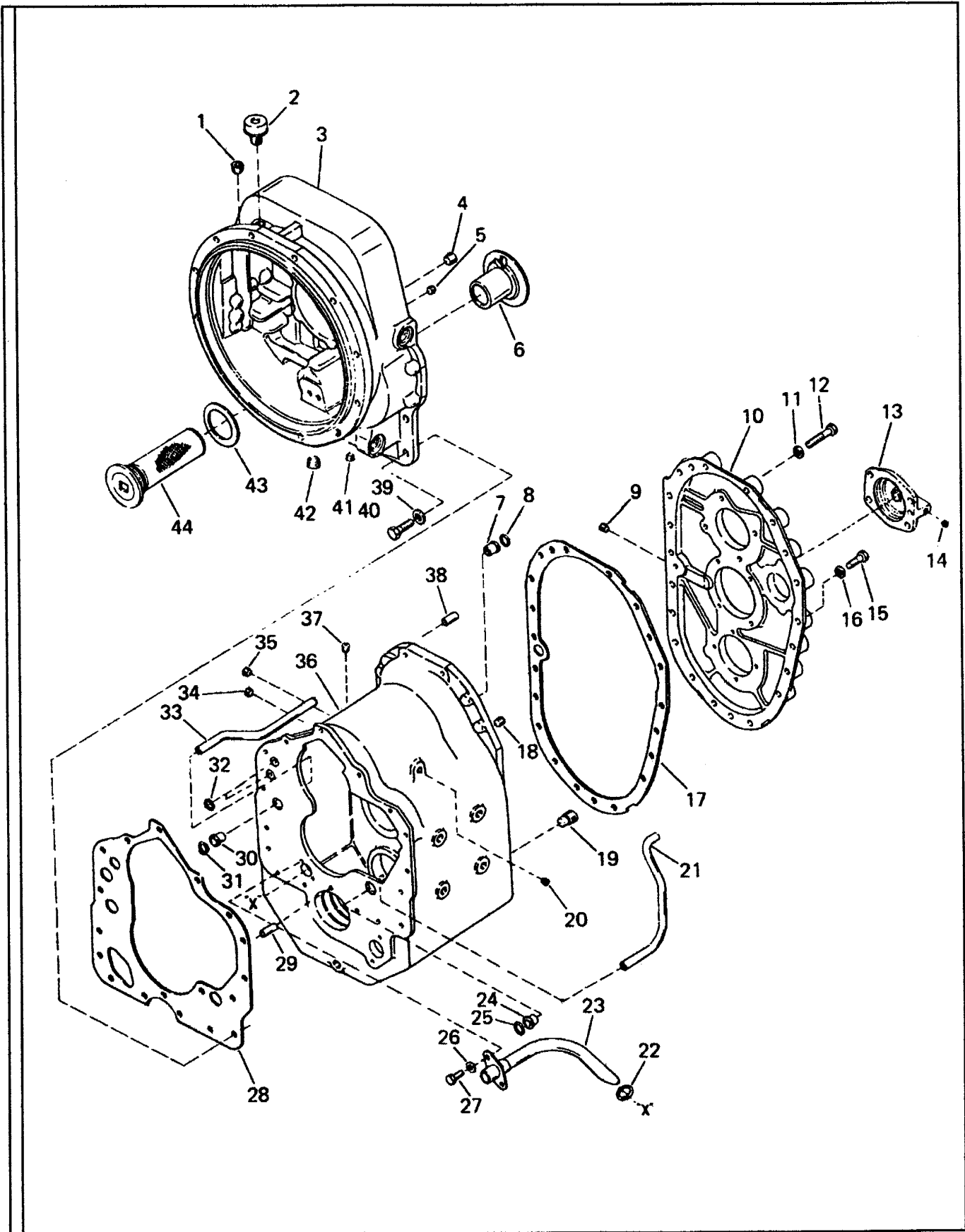
VR-90B

I.15.2

TRANSMISSION (59494039) - INTERNAL BREAKDOWN SHEET 1 OF 18

ITEM	COMM. NO.	DESCRIPTION	QTY	DIMENSIONS/NOTES
		<small>BOM 59494039-SHT. 1</small>		
-		Converter Housing, Transmission Case, and Rear Cover Group	1	
1	51009108	Pipe Plug	1	
2	51009116	Air Breather	1	
3	59481275	Converter Housing	1	
4	59481309	Pipe Plug	1	
5	51009132	Pipe Plug	1	
6	50959949	Converter Housing Sleeve	1	
7	50755024	Tube Sleeve	1	
8	50847425	Pressure Tube O-Ring	1	
9	51009132	Cover Pipe Plug	1	
10	59481317	Rear Cover and Plug Assembly	1	(Includes item 9)
11	58885989	Rear Cover to Case Screw Lock Washer	10	
12	58885997	Rear Cover to Case Screw	10	
13	59481325	Low Shaft Rear Bearing Cap Assembly	1	(Includes item 14)
14	59481333	Plug	1	(Includes item 13)
15	50753987	Rear Cover to Case Screw	10	
16	58885989	Rear Cover to Case Screw Lock Washer	10	
17	59481341	Rear Cover to Case Gasket	1	
18	58886003	Pipe Plug	1	
19	50754977	Magnetic Drain Plug	2	
21	59481358	Clutch Lube Tube	1	
22	51009165	Suction Line O-Ring	1	
23	59481366	Suction Tube Assembly	1	
24	51009181	Tube Sleeve	1	
25	50847425	Pressure Tube O-Ring	1	
26	50756337	Retainer Screw Lock Washer	2	
27	50753920	Suction Line Retainer Screw	2	
28	59481374	Converter Housing to Trans. Case Gasket	1	
29	50754878	Dowel Pin	1	
30	50755024	Tube Sleeve	1	
31	50847425	Pressure Tube O-Ring	1	
32	59481382	Clutch Pressure O-Ring	2	
33	50959964	Low Speed Clutch Pressure Tube	1	
34	58886003	Pipe Plug	1	
35	51009157	Pipe Plug	1	
36	59481390	Trans. Case Assembly	1	(Includes 7, 21, 22, 23, 24, 26, 27, 30, and 33)

TRANSMISSION (59494039) - INTERNAL BREAKDOWN SHEET 1 OF 18

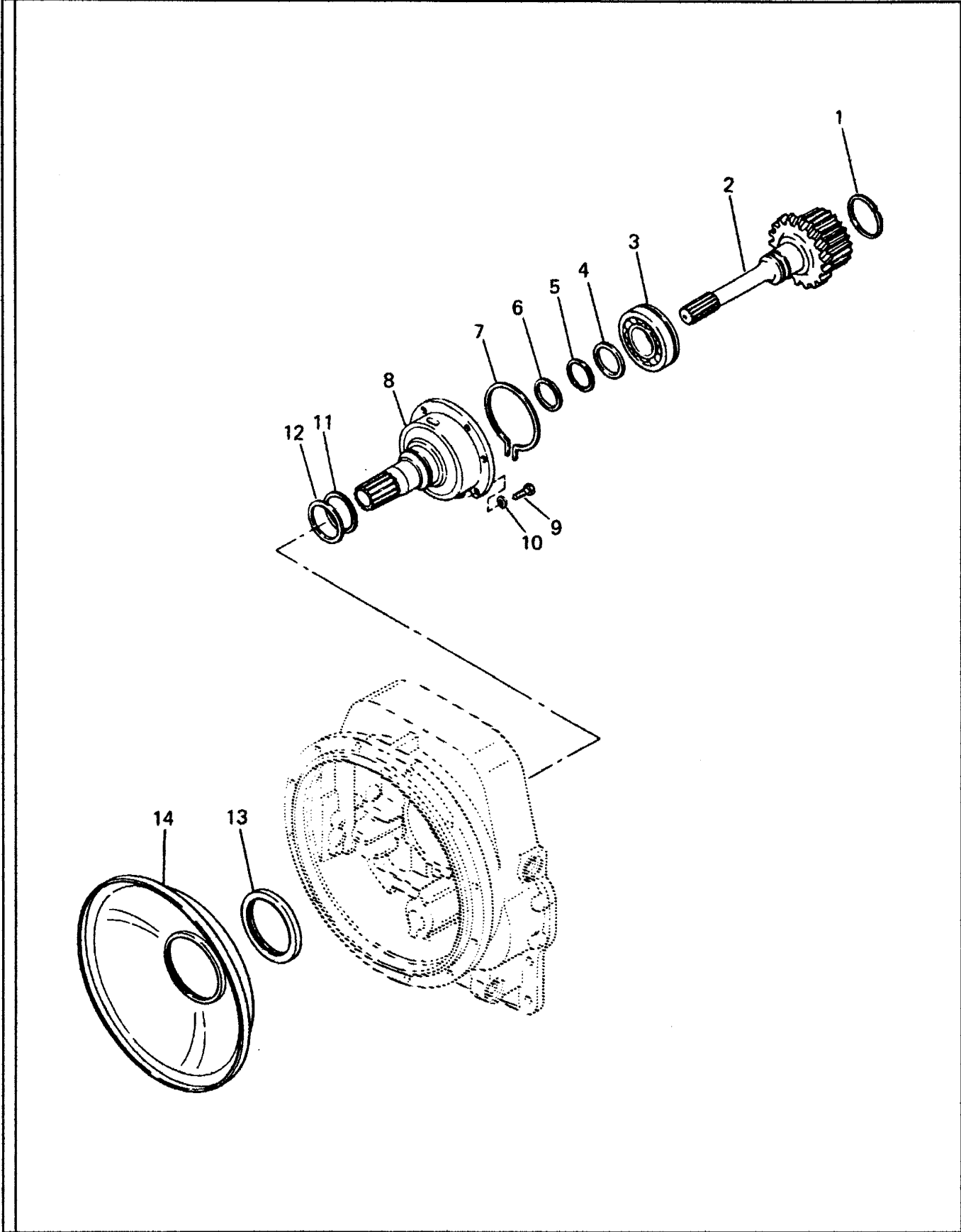


VR-90B

I.15.4

TRANSMISSION (59494039) - INTERNAL BREAKDOWN SHEET 1 OF 18

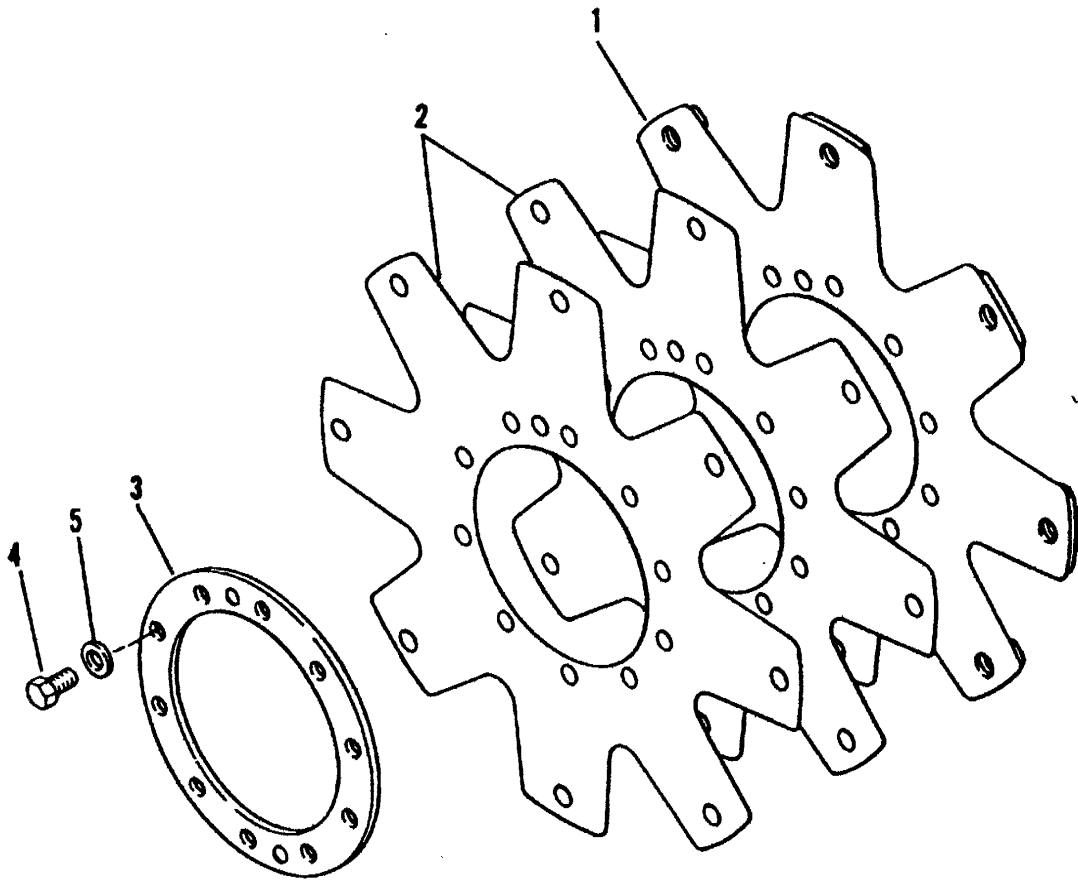
ITEM	COMM. NO.	DESCRIPTION	QTY	DIMENSIONS/NOTES
		BOM 59494039-SHT. 1		
37	50801257	Dipstick Hole Plug	1	
38	50754878	Case to Cover Dowel Pin	2	
39	58885989	Housing to Case Screw Lock Washer	16	
40	50753961	Housing to Case Screw	16	
41	51009132	Pipe Plug	1	
42	50959931	Pipe Plug	1	
43	50848373	Screen Assembly Gasket	1	
44	50756055	Screen Assembly	1	





TRANSMISSION (59494039) - INTERNAL BREAKDOWN SHEET 2 OF 18

ITEM	COMM. NO.	DESCRIPTION	QTY	DIMENSIONS/NOTES
		<small>BOM 59494039-SHT. 2</small>		
-		Turbine Shaft, Stator Support, and Oil Baffle Group	1	
1	59481218	Retaining Ring	1	
2	59481416	Turbine Shaft and Return Ring Assembly	1	(Includes item 1)
3	51008969	Turbine Shaft Bearing	1	
4	50958388	Bearing Locating Washer	1	
5	50959519	Bearing Retaining Ring	1	
6	50959527	Piston Ring	1	
7	50958362	Bearing Snap Ring	1	
8	58886011	Stator Support	1	
9	59481440	Stator Support Screw	6	
10	50756345	Stator Support Screw Lock Washer	6	
11	50959568	Piston Ring Expander Spring	1	
12	50959550	Piston Ring	1	
13	50959592	Oil Seal	1	
14	50959600	Oil Baffle Assembly	1	

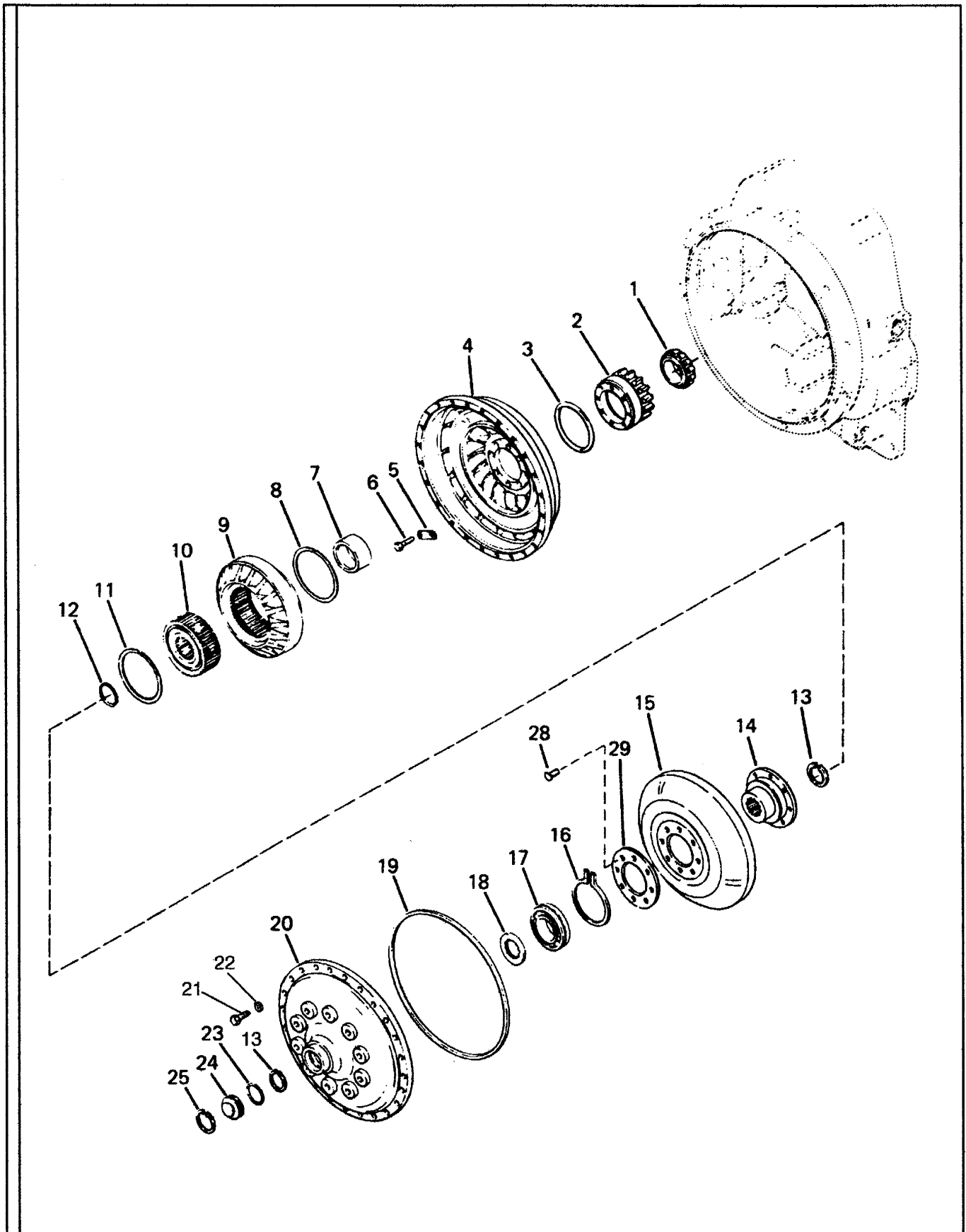


VR-90B

I.15.8

TRANSMISSION (59494039) - INTERNAL BREAKDOWN SHEET 3 OF 18

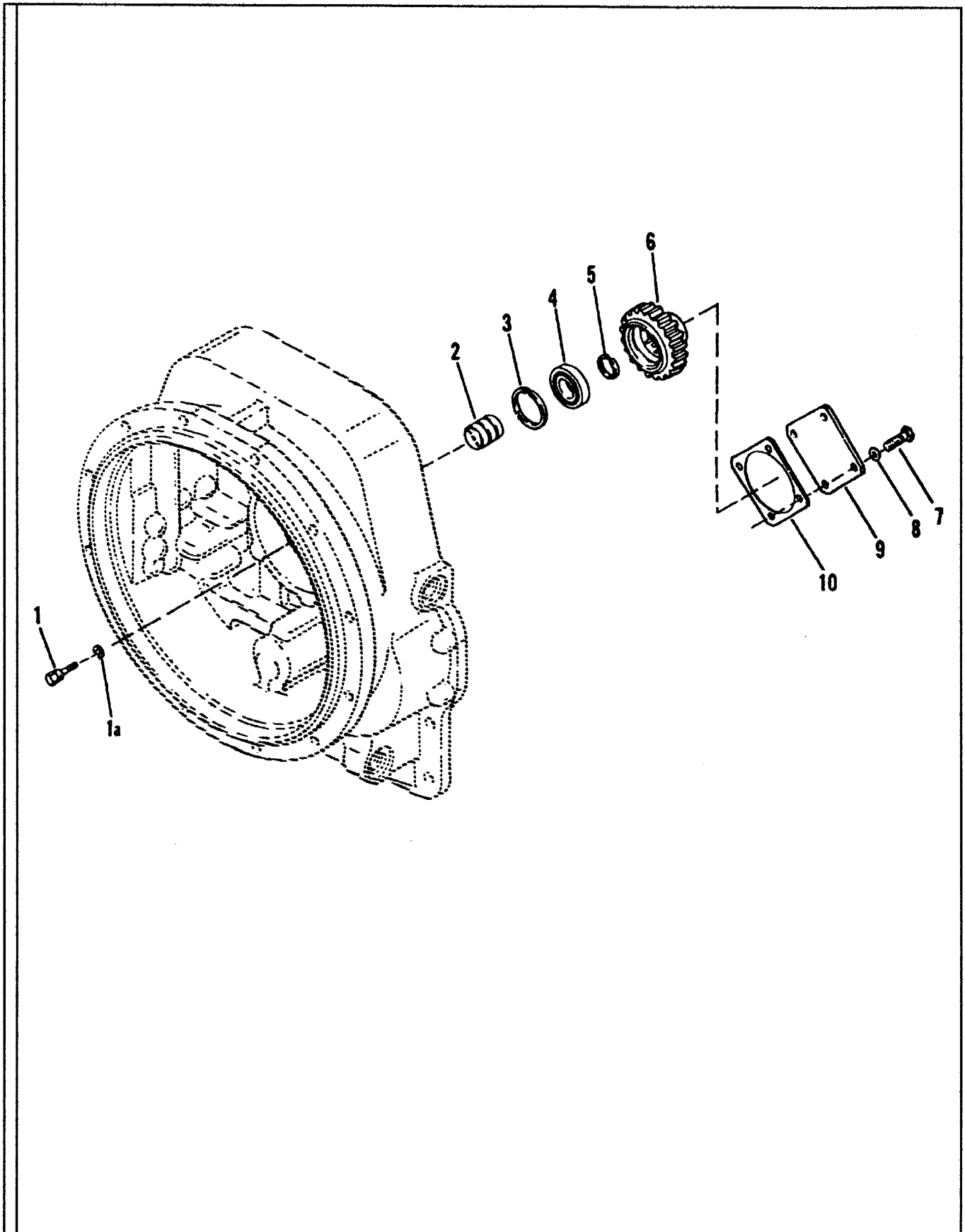
ITEM	COMM. NO.	DESCRIPTION	QTY	DIMENSIONS/NOTES
		<small>BOM 59494039-SHT. 3</small>		
-	_____	Drive Plate Group	1	
1	59481457	Drive Plate Assembly Kit (includes items 2 thru 5)	1	
2	N.S.S.	-Drive Plate	1	
3	58886029	-Drive Plate Backing Ring	1	
4	58886284	-Drive Plate Mounting Screw	10	
5	58886292	-Lock Washer	10	



VR-90B

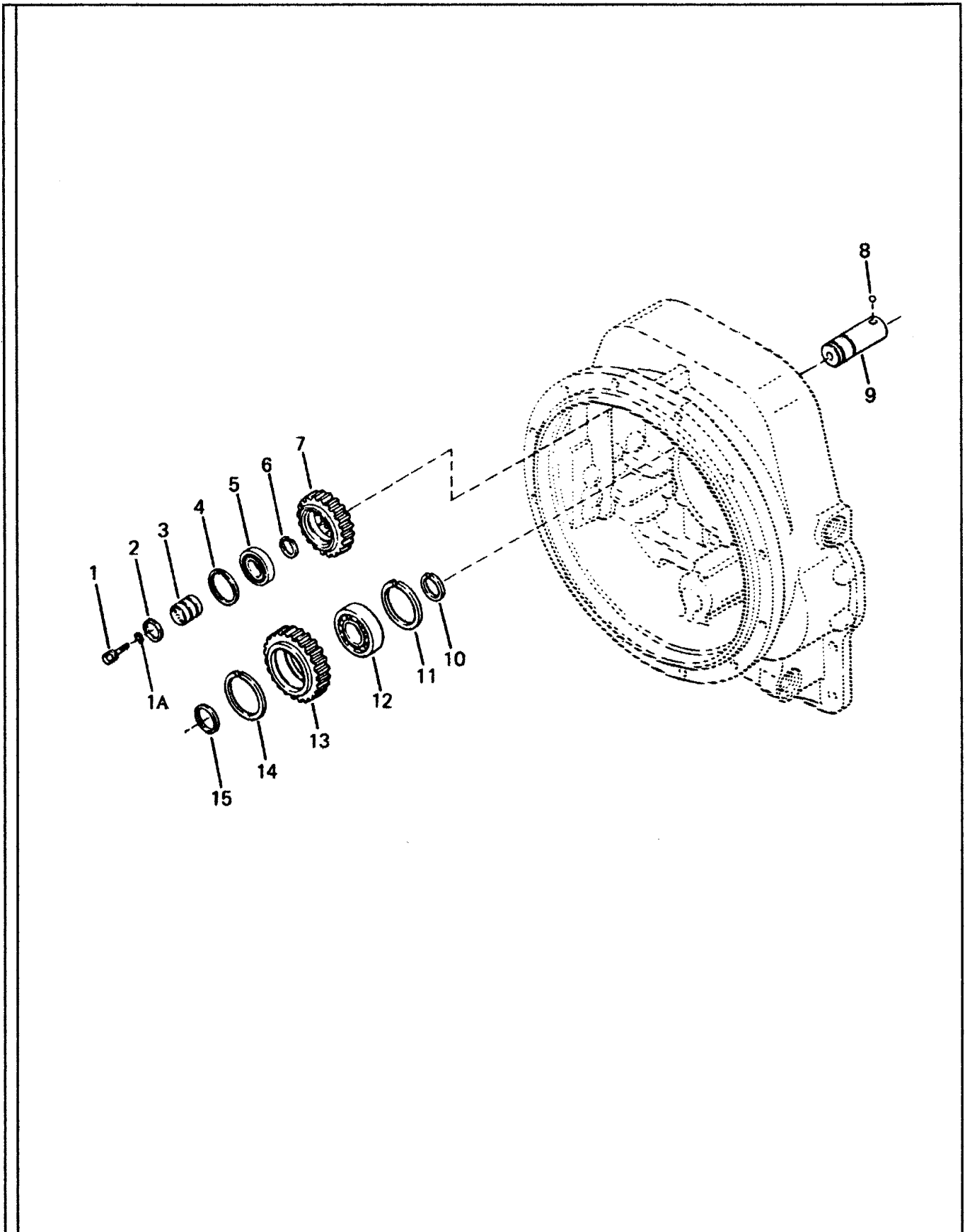
TRANSMISSION (59494039) - INTERNAL BREAKDOWN SHEET 4 OF 18

ITEM	COMM. NO.	DESCRIPTION	QTY	DIMENSIONS/NOTES
		BOM 59494039-SHT. 4		
-		Torque Converter Assembly with Freewheel and Steel Turbine Hub	1	
1	50959675	Impeller Hub Gear Bearing	1	
2	50959683	Impeller Hub Gear	1	
3	50959691	Impeller Hub O-Ring	1	
4	59050450	Impeller	1	
5	50959717	Impeller to Hub Screw Lock Tab	4	
6	59481580	Impeller to Hub Screw	8	
7	59481465	Reaction Member Spacer	1	
8	59481473	Freewheel Outer Race Snap Ring	1	
9	59481481	Reaction Member	1	
10	59481523	Freewheel Assembly	1	
11	59481473	Freewheel Outer Race Snap Ring	1	
12	58886037	Inner Race Retaining Ring	1	
13	58886045	Turbine Retaining Ring	2	
14	59481549	Turbine Hub	1	
15	59481556	Turbine	1	
16	50959774	Turbine Hub Bearing Locating Ring	1	
17	50959782	Turbine Hub Bearing	1	
18	50959790	Bearing Retaining Washer	1	
19	50847490	Impeller to Cover O-Ring	1	
20	59481564	Impeller Cover	1	(Includes item 25)
21	59481440	Impeller to Cover Screw	24	
22	50756345	Lockwasher, Impeller to Cover	24	
23	59481572	Impeller Cover Bore Plug O-Ring	1	
24	50959824	Bore Plug	1	
25	58886052	Bore Plug Retaining Ring	1	
28	59481580	Turbine To Hub Screw	12	
29	59481598	Turbine To Hub Screw Ring	1	



TRANSMISSION (59494039) - INTERNAL BREAKDOWN SHEET 5 OF 18

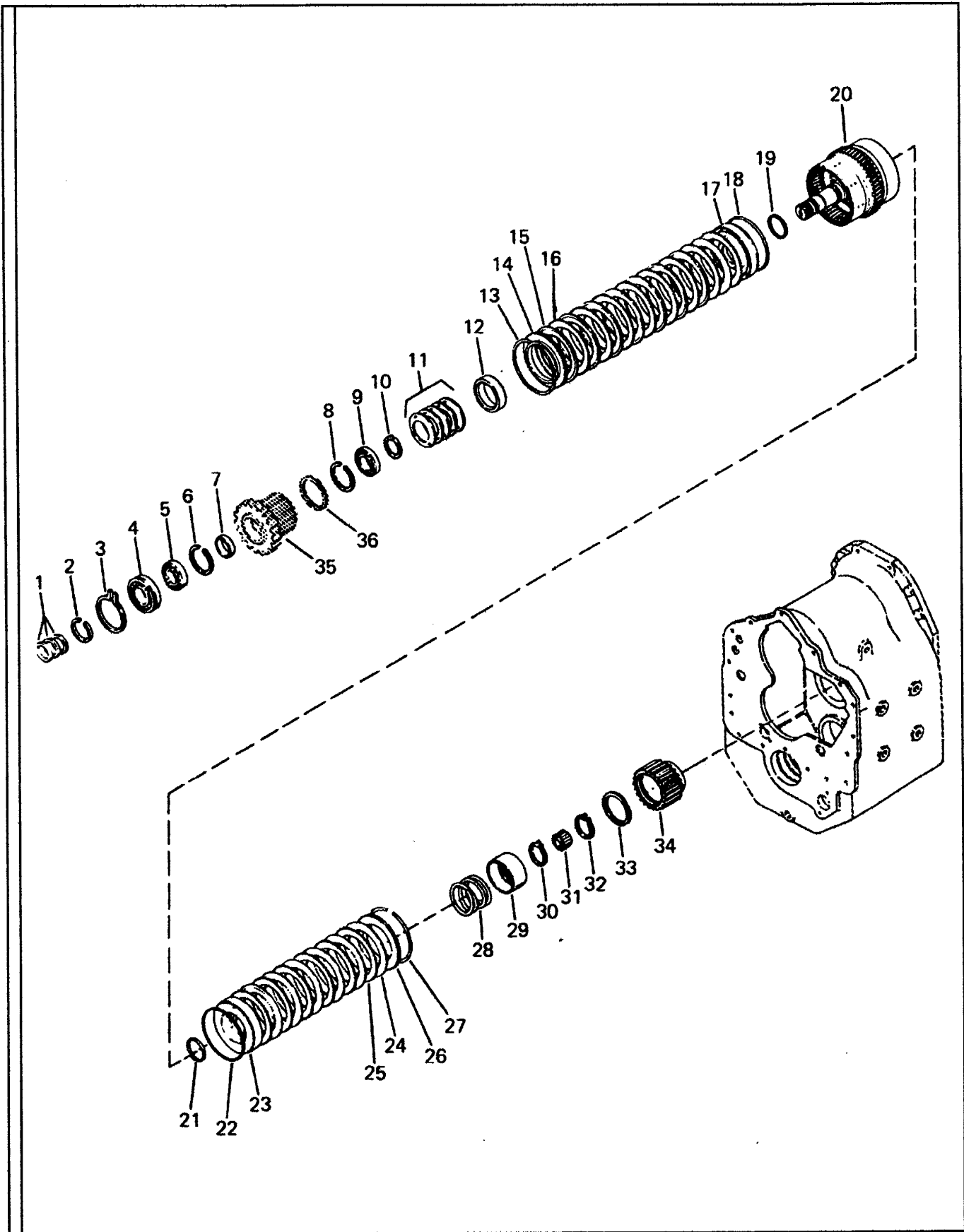
ITEM	COMM. NO.	DESCRIPTION	QTY	DIMENSIONS/NOTES
		<small>BOM 59494039-SHT. 5</small>		
-	-----	Auxiliary Pump Drive Group	1	
1	58886318	Bearing Support Screw	2	
1A	58886300	Bearing Support Screw Lock Washer	2	
2	50958263	Auxiliary Pump Drive Bearing Support	1	
3	50958305	Bearing Retaining Ring	1	
4	50958321	Pump Drive Gear Bearing	1	
5	50958255	Bearing Locating Ring	1	
6	50959873	Auxiliary Pump Drive Gear	1	
7	58886060	Cap Screw	2	
8	50756360	Lock Washer	2	
9	58886078	Pump Mounting Cover	1	
10	58886326	Pump Mounting Cover Gasket	1	





TRANSMISSION (59494039) - INTERNAL BREAKDOWN SHEET 6 OF 18

ITEM	COMM. NO.	DESCRIPTION	QTY	DIMENSIONS/NOTES
		<small>BOM 59494039-SHT. 6</small>		
-	-----	Charging Pump Drive Group	1	
1	58886318	Bearing Support Screw	2	
1A	58886300	Bearing Support Screw Lock Washer	2	
2	50958255	Bearing Locating Ring	1	
3	50958263	Pump Drive Bearing Support	1	
4	50958271	Bearing Retaining Ring	1	
5	50958289	Pump Drive Gear Bearing	1	
6	50958255	Bearing Locating Ring	1	
7	50958297	Pump Drive Gear	1	
8	59481614	Stub Shaft Lock Ball	1	
9	50958339	Idler Gear Stub Shaft	1	
10	50958255	Bearing Locating Ring	1	
11	50958305	Bearing Retaining Ring	1	
12	50958321	Idler Stub Shaft Bearing	1	
13	50958313	Pump Drive Idler Gear	1	
14	50958305	Idler Gear Bearing Retaining Ring	1	
15	50958255	Idler Gear Bearing Locating Ring	1	



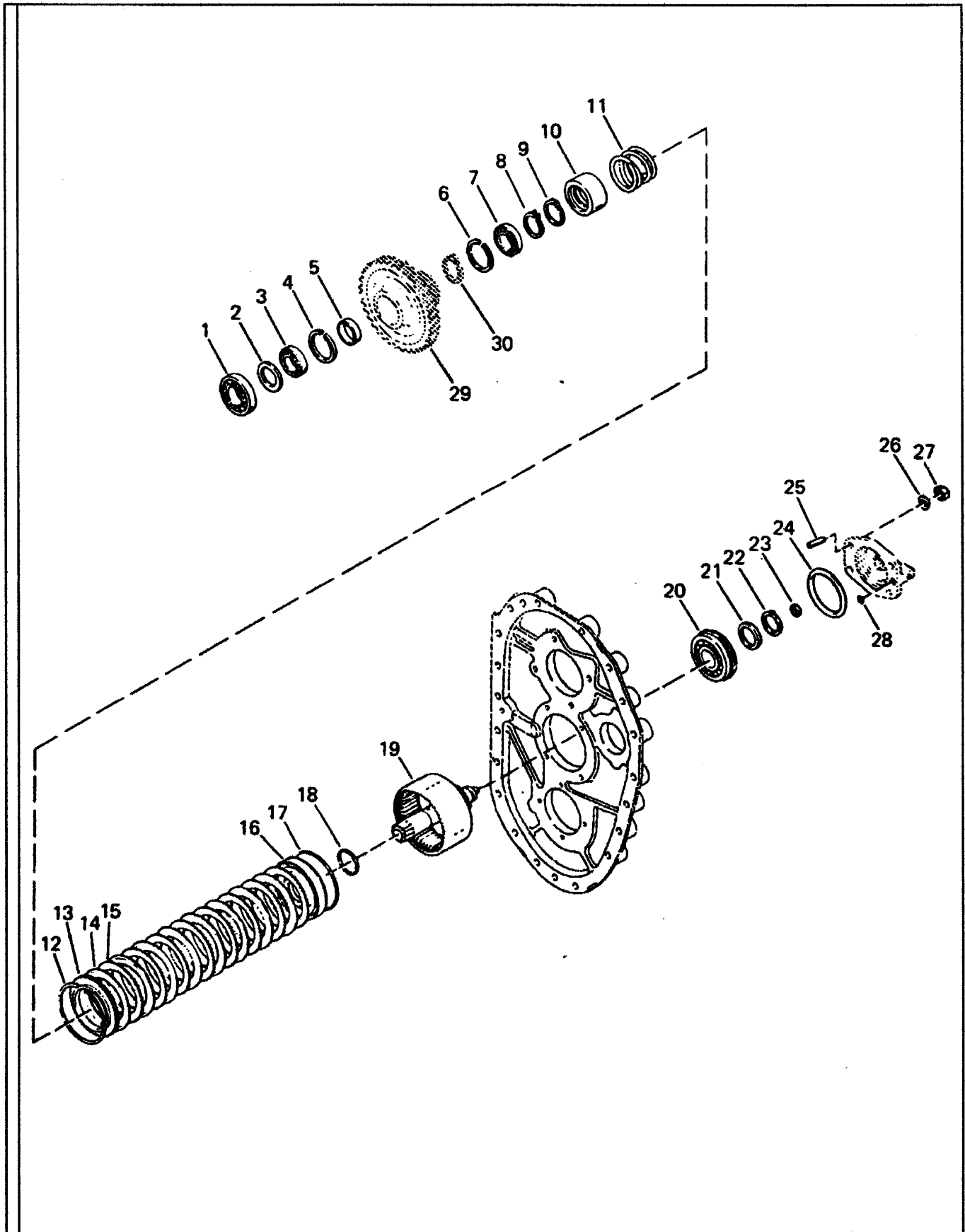
VR-90B

TRANSMISSION (59494039) - INTERNAL BREAKDOWN SHEET 7 OF 18

ITEM	COMM. NO.	DESCRIPTION	QTY	DIMENSIONS/NOTES
		<small>BOM 59494039-SHT. 7</small>		
-	-----	Reverse and 2nd Shaft Group	1	
1	59050294	Reverse & 2nd Shaft Piston Ring	3	
1A	59050302	Spring, PistonRing Expander (Not Shown)	3	
2	58886086	Front Bearing Retaining Ring	1	
3	50755446	Front Bearing Snap Ring	1	
4	50755065	Reverse & 2nd Shaft Front Bearing	1	
5	50848431	Clutch Driven Gear Bearing	1	
6	50960186	Bearing Retaining Ring	1	
7	50960194	Clutch Driven Gear Bearing Spacer	1	
8	50960186	Bearing Retaining Ring	1	
9	50755354	Clutch Driven Gear Bearing	1	
10	50960210	Spring Retainer Snap Ring	1	
11	58886094	Piston Return Belleville Springs	5	
12	50960236	Piston Return Spring Spacer	1	
13	50960665	Backing Plate Snap Ring	1	
14	50960673	Clutch Disc Backing Plate	1	
15	50960749	Clutch Inner Disc	8	
16	50960699	Clutch Outer Disc	8	
17	50960756	Clutch Piston	1	
18	50960715	Outer Clutch Piston Seal	1	
19	50960723	Inner Clutch Piston Seal	1	
20	59481622	Reverse & 2nd Shaft, Drum & Plug Assembly	1	
21	50960723	Inner Clutch Piston Seal	1	
22	50960715	Outer Clutch Piston Seal	1	
23	50960772	Clutch Piston	1	
24	50960699	Clutch Outer Disc	6	
25	50960749	Clutch Inner Disc	6	
26	50960673	Clutch Disc Backing Plate	1	
27	50960665	Backing Plate Snap Ring	1	
28	50960244	Piston Return Spring	1	
29	50960251	Spring Retainer	1	
30	50960376	Spring Retainer Snap Ring	1	
31	50960269	Reverse & 2nd Shaft Rear Bearing	1	
32	50960277	2nd Clutch Disc Hub Snap Ring	1	
33	59481218	Retaining Ring	1	(Includes item 34)
34	59481648	2nd Clutch Disc Hub & Retaining Ring Assy	1	(Includes item 33)
35	59481200	Reverse Clutch Gear & Retaining Ring Assy	1	(Includes item 36)
36	59481218	Retaining Ring	1	

VR-90B

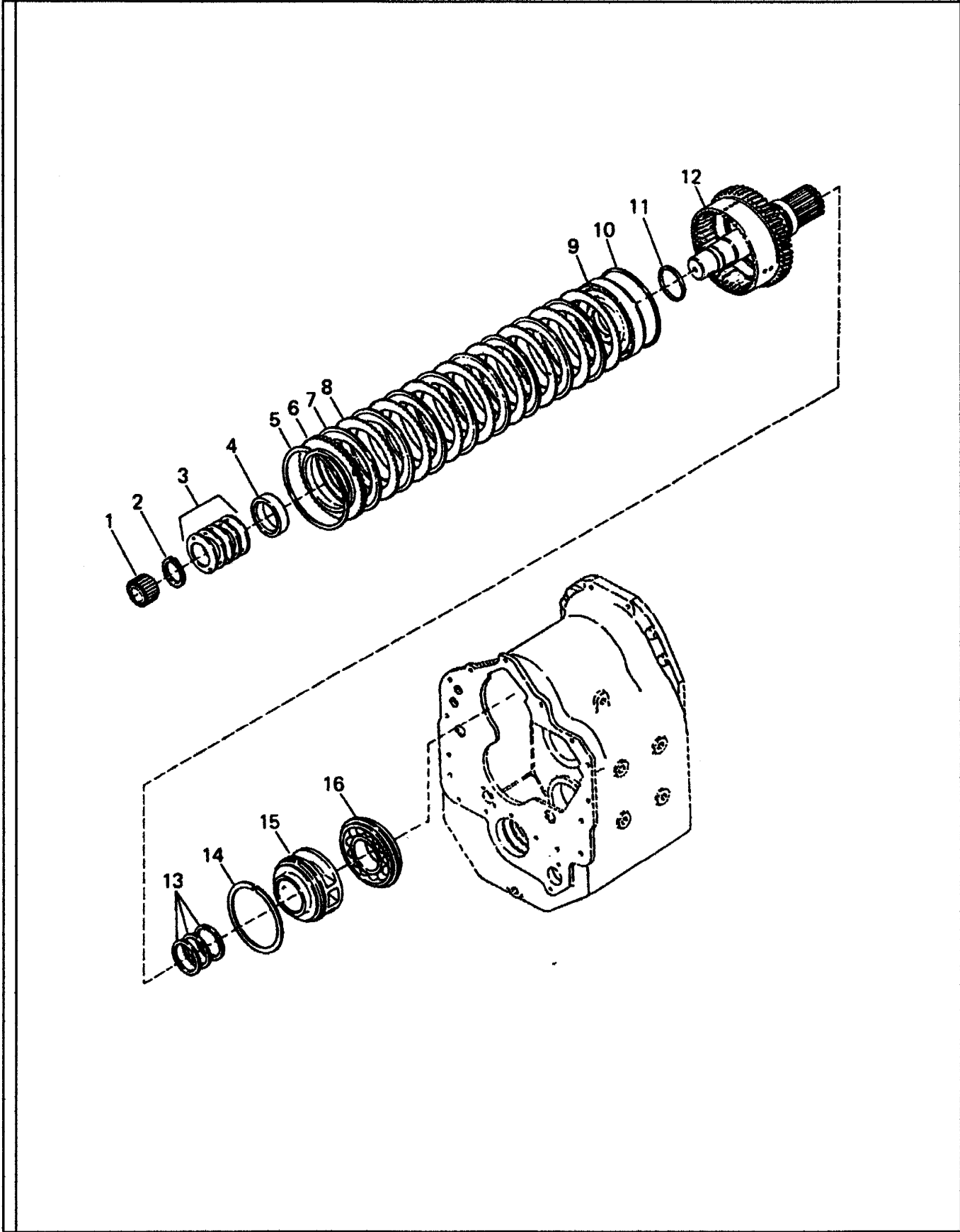
I.15.17



VR-90B

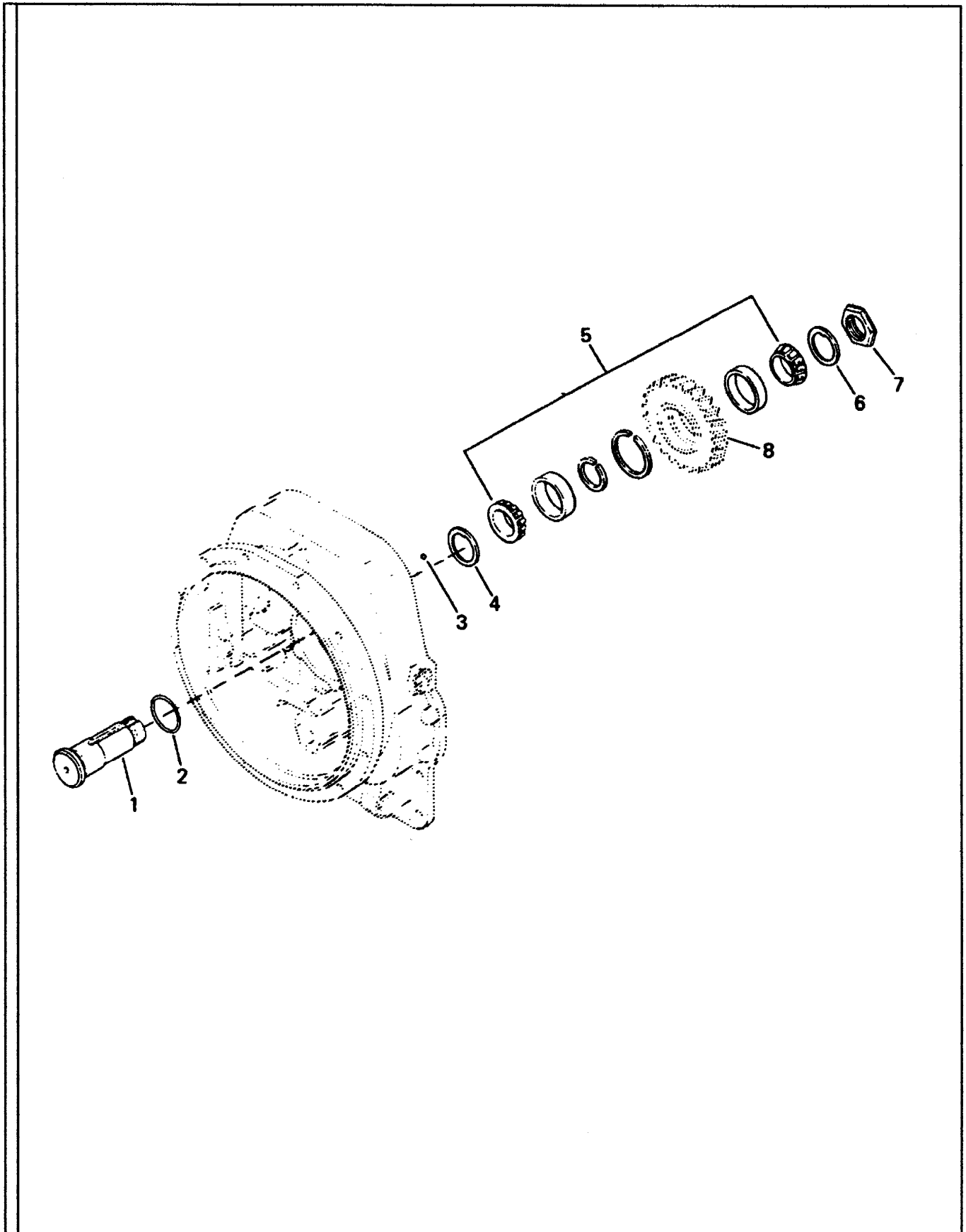
TRANSMISSION (59494039) - INTERNAL BREAKDOWN SHEET 8 OF 18

ITEM	COMM. NO.	DESCRIPTION	QTY	DIMENSIONS/NOTES
		<small>BOM 59494039-SHT. 8</small>		
-		Low Speed Shaft Group	1	
1	50960335	Low Speed Clutch Shaft Front Bearing	1	
2	50960343	Front Bearing Spacer	1	
3	50755420	Low Speed Gear Bearing	1	
4	50755107	Low Speed Gear Bearing Locating Ring	1	
5	50960350	Low Speed Gear Spacer	1	
6	50755107	Low Speed Gear Bearing Locating Ring	1	
7	50755420	Low Speed Gear Bearing	1	
8	50960277	Low Speed Gear Bearing Retaining Ring	1	
9	50960376	Spring Retainer Snap Ring	1	
10	50960251	Spring Retainer	1	
11	50960244	Piston Return Spring	1	
12	50960665	Backing Plate Snap Ring	1	
13	50960673	Clutch Disc Backing Plate	1	
14	50960681	Clutch Inner Disc	8	
15	50960699	Clutch Outer Disc	8	
16	50960707	Clutch Piston	1	
17	50960715	Outer Clutch Piston Ring	1	
18	50960723	Inner Clutch Piston Seal	1	
19	50960731	Low Clutch Shaft Drum & Bleed Valve Assy	1	
20	51008928	Low Speed Shaft Rear Bearing	1	
21	50958388	Rear Bearing Support Washer	1	
22	50960277	Rear Bearing Retaining Ring	1	
23	50960517	Low Shaft Piston Ring	1	
24	59481408	Rear Bearing Cap O-Ring	1	
25	58886102	Bearing Cap Stud	4	
26	50756352	Bearing Cap Stud Lock Washer	4	
27	50756451	Bearing Cap Stud Nut	4	
28	59481432	Bearing Cap O-Ring	1	
29	59481226	Low Shaft Gear, Hub & Retaining Ring Assy	1	(Includes item 30)
30	59481234	Retaining Ring	1	



TRANSMISSION (59494039) - INTERNAL BREAKDOWN SHEET 9 OF 18

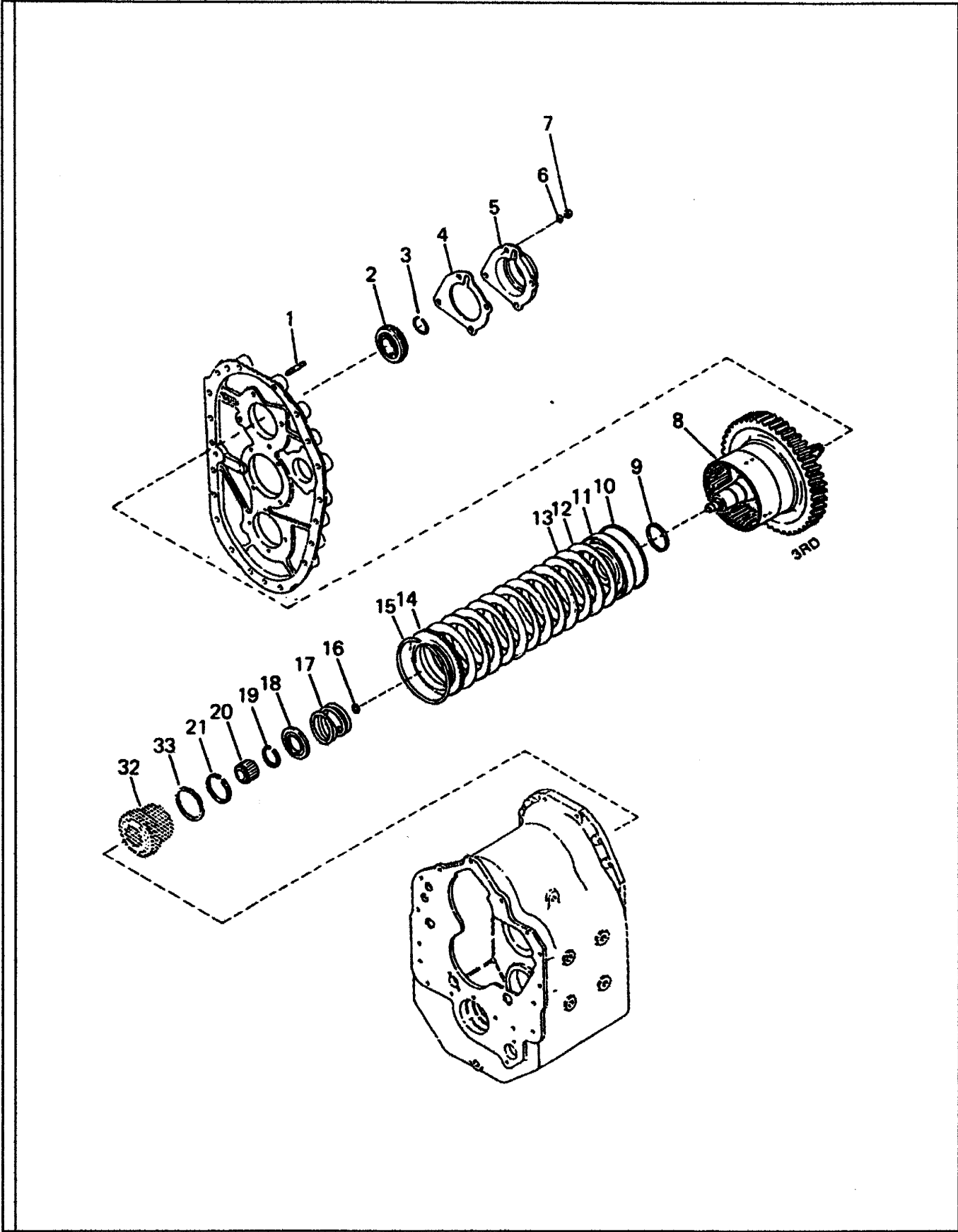
ITEM	COMM. NO.	DESCRIPTION	QTY	DIMENSIONS/NOTES
		<small>BOM 59494039-SHT. 9</small>		
-		Forward Shaft Group	1	
1	50960327	Forward Shaft Pilot Bearing	1	
2	50960210	Spring Retaining Snap Ring	1	
3	58886094	Piston Return Spring	1	
4	50960236	Piston Return Spring Spacer	1	
5	50960665	Backing Plate Snap Ring	1	
6	50960673	Clutch Disc Backing Plate	1	
7	50960749	Clutch Inner Disc	8	
8	50960699	Clutch Outer Disc	8	
9	50960756	Clutch Piston	1	
10	50960715	Clutch Piston Ring (Outer)	1	
11	50960723	Clutch Piston Seal (Inner)	1	
12	59481655	Forward Shaft, Drum & Plug Assembly	1	
13	58886334	Forward Shaft Piston Ring	4	
13A	58886342	Piston Ring Expander Spring (Not Shown)	4	
14	50960475	Piston Ring Sleeve Retaining Ring	1	
15	59481663	Piston Ring Sleeve	1	
16	59481671	Forward Shaft Rear Bearing	1	





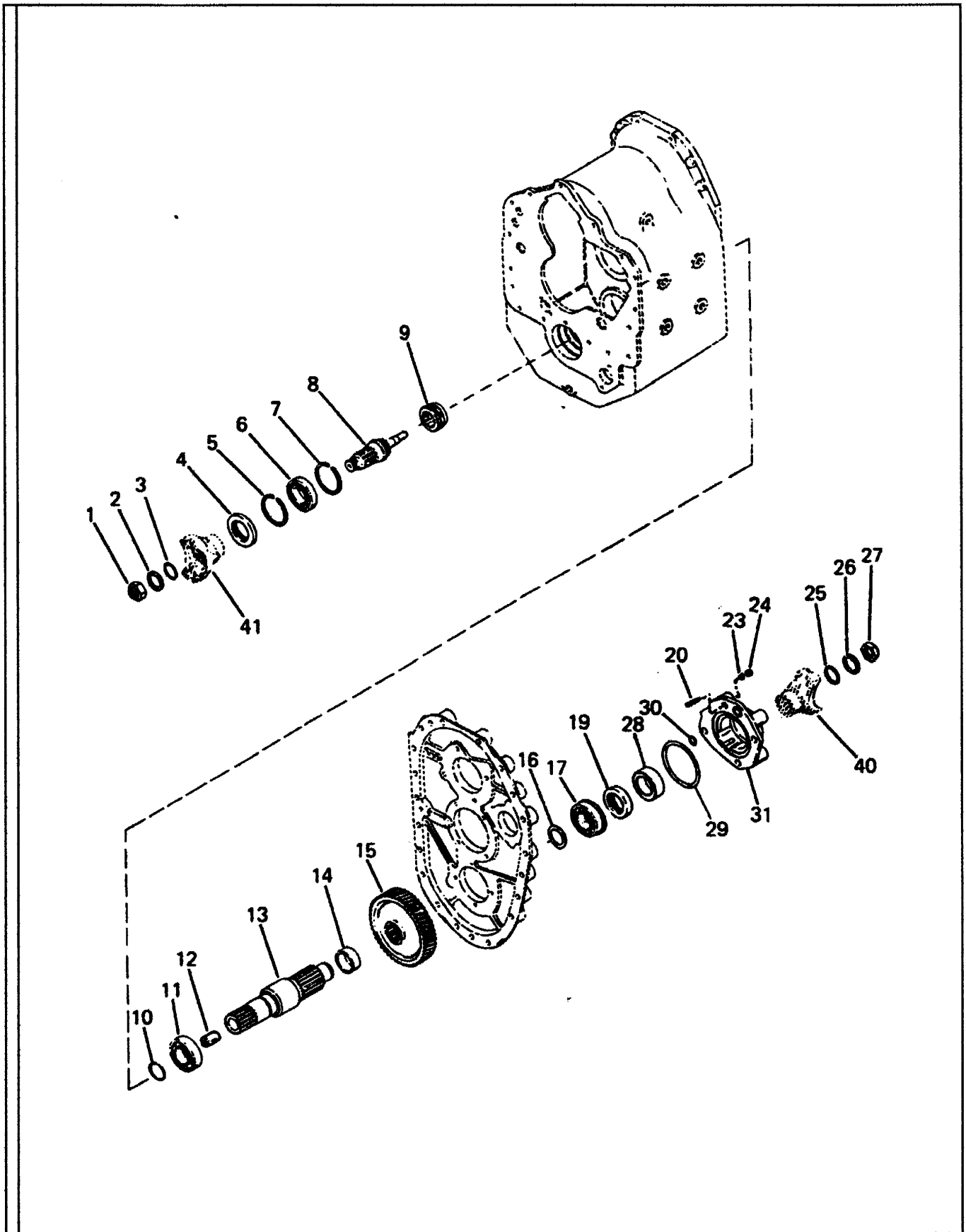
TRANSMISSION (59494039) - INTERNAL BREAKDOWN SHEET 10 OF 18

ITEM	COMM. NO.	DESCRIPTION	QTY	DIMENSIONS/NOTES
		<small>BOM 59494039-SHT. 10</small>		
-		Reverse Idler Group	1	
1	59481689	Reverse Idler Shaft	1	
2	59481697	Idler Shaft O-Ring	1	
3	59481630	Idler Shaft Lockball	1	
4	59481705	Reverse Idler Gear Bearing Thrust Plate	1	
5	58886110	Reverse Idler Gear Bearing Assembly	1	
6	59481705	Reverse Idler Gear Bearing Thrust Plate	1	
7	59481713	Bearing Retaining Plate Nut	1	
8	51009041	Reverse Idler Gear	1	



TRANSMISSION (59494039) - INTERNAL BREAKDOWN SHEET 11 OF 18

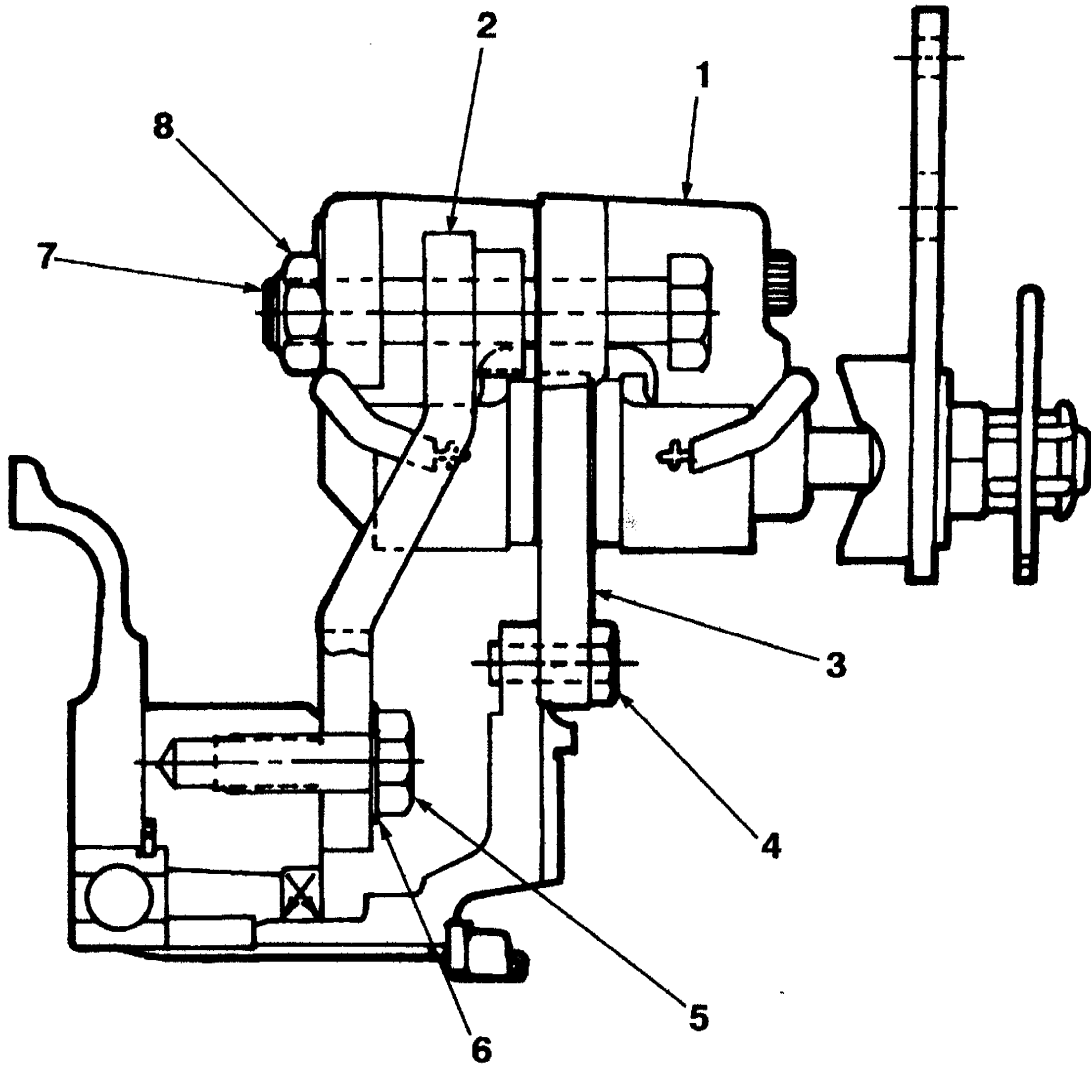
ITEM	COMM. NO.	DESCRIPTION	QTY	DIMENSIONS/NOTES
		BOM 59494039-SET. 11		
-	-----	3rd Shaft Clutch Group	1	
1	59481721	3rd Shaft Rear Bearing Cap Stud	4	
2	59481739	3rd Shaft Rear Bearing	1	
3	58886128	3rd Shaft Rear Bearing Retaining Ring	1	
4	59481515	3rd Shaft Rear Bearing Cap Gasket	1	
5	59481747	3rd Shaft Rear Bearing Cap (Closed End)	1	
6	50756345	Bearing Cap Stud Lock Washer	4	
7	59481754	Bearing Cap Stud Nut	4	
8	59481762	3rd Clutch Shaft, Drum & Hub Assembly	1	
9	50960723	Inner Clutch Piston Seal	1	
10	50960715	Outer Clutch Piston Seal	1	
11	50960772	Clutch Piston Assembly	1	
12	50960699	Clutch Outer Disc	6	
13	50960749	Clutch Inner Disc	6	
14	50960673	Clutch Disc Backing Plate	1	
15	50960665	Backing Plate Snap Ring	1	
16	50960517	3rd Shaft Piston Ring	1	
17	50960244	Piston Return Spring	1	
18	50960251	Spring Retainer	1	
19	50960376	Spring Retainer Snap Ring	1	
20	59481788	Pilot Bearing	1	
21	51009207	3rd Gear and Hub Retainer Ring	1	
32	59481242	3rd Gear & Hub Assembly	1	(Includes item 33)
33	59481218	Retaining Ring	1	



VR-90B

TRANSMISSION (59494039) - INTERNAL BREAKDOWN SHEET 12 OF 18

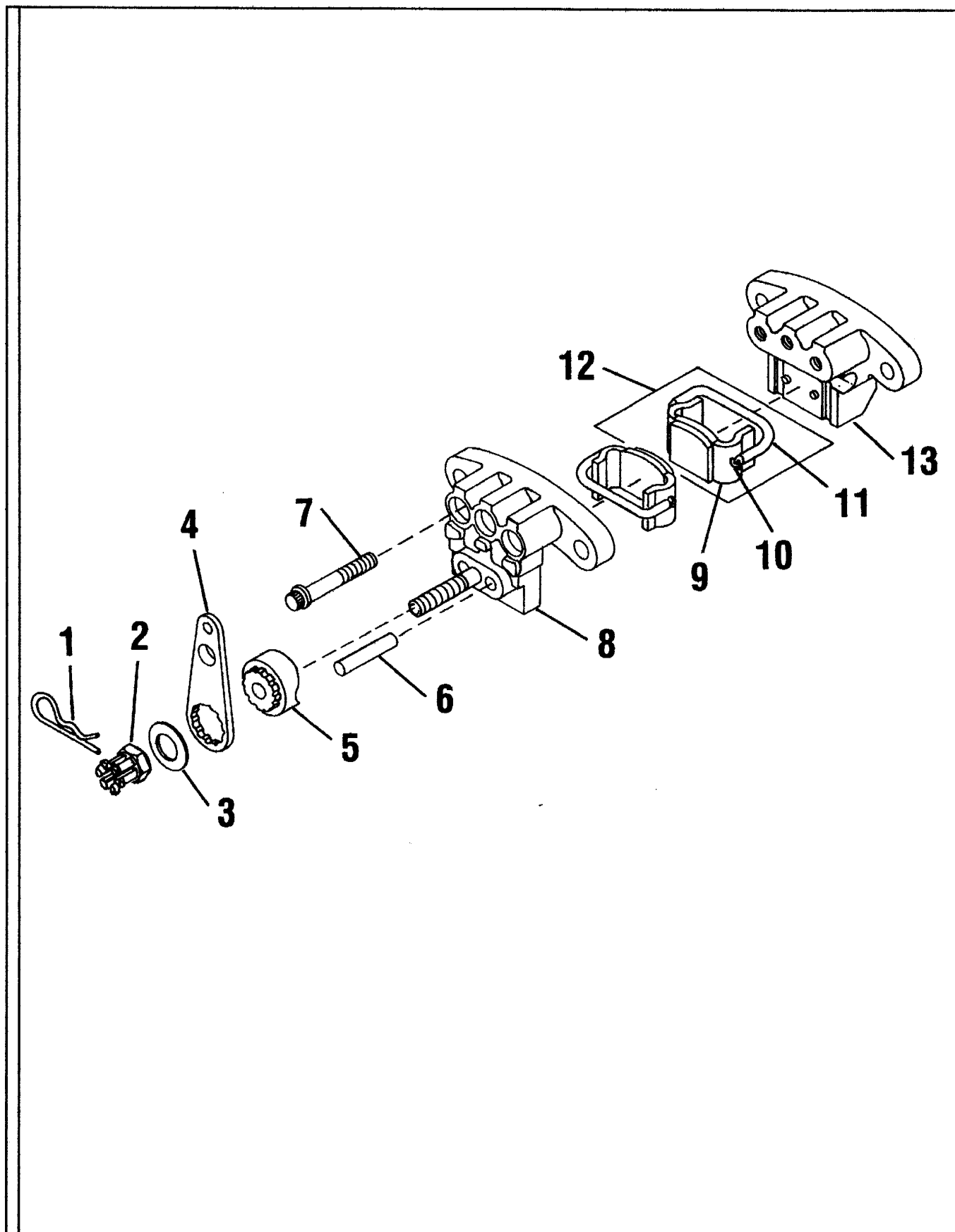
ITEM	COMM. NO.	DESCRIPTION	QTY	DIMENSIONS/NOTES
		BOM 59494039-SHT. 12		
-		Output Shaft Group	1	
1	50848407	Flange Nut	1	
2	50755032	Flange Washer	1	
3	59481796	Flange O-Ring	1	
4	50847599	Output Oil Seal	1	
5	59481770	Bearing Retainer Ring	1	
6	50755230	Bearing	1	
7	59481770	Bearing Retainer Ring	1	
8	59481804	Disconnect Shaft	1	
9	59481812	Drive Coupling	1	
10	50959519	Output Shaft Bearing Retainer Ring	1	
11	50960335	Output Shaft Front Bearing	1	
12	59481820	Output Shaft Bushing	1	
13	59481838	Output Shaft & Bushing Assy	1	(Includes item 12)
14	51009256	Output Gear Spacer	1	
15	59481846	Output Shaft Gear	1	
16	59481853	Gear Thrust Washer	1	
17	59481739	Output Shaft Rear Bearing	1	
19	59481879	Output Shaft Rear Bearing Cap Oil Seal	1	
20	51009231	Bearing Cup Stud	4	
23	50756378	Bearing Cap Stud Lock Washer	1	
24	59481887	Bearing Cap Stud Nut	4	
25	59481895	Flange O-Ring	1	
26	59481861	Flange Washer	1	
27	59481903	Flange Nut	1	
28	59481911	Bearing to Flange Spacer	1	
29	59481507	Output Bearing Cap O-Ring	1	
30	59481937	Output Bearing Cap O-Ring	1	
31	51037240	Output Shaft Rear Bearing Cap	1	
40	59482703	Brake Flange	1	
41	59482711	Output Flange	1	



VR-90B

TRANSMISSION (59494039) - INTERNAL BREAKDOWN SHEET 13 OF 18

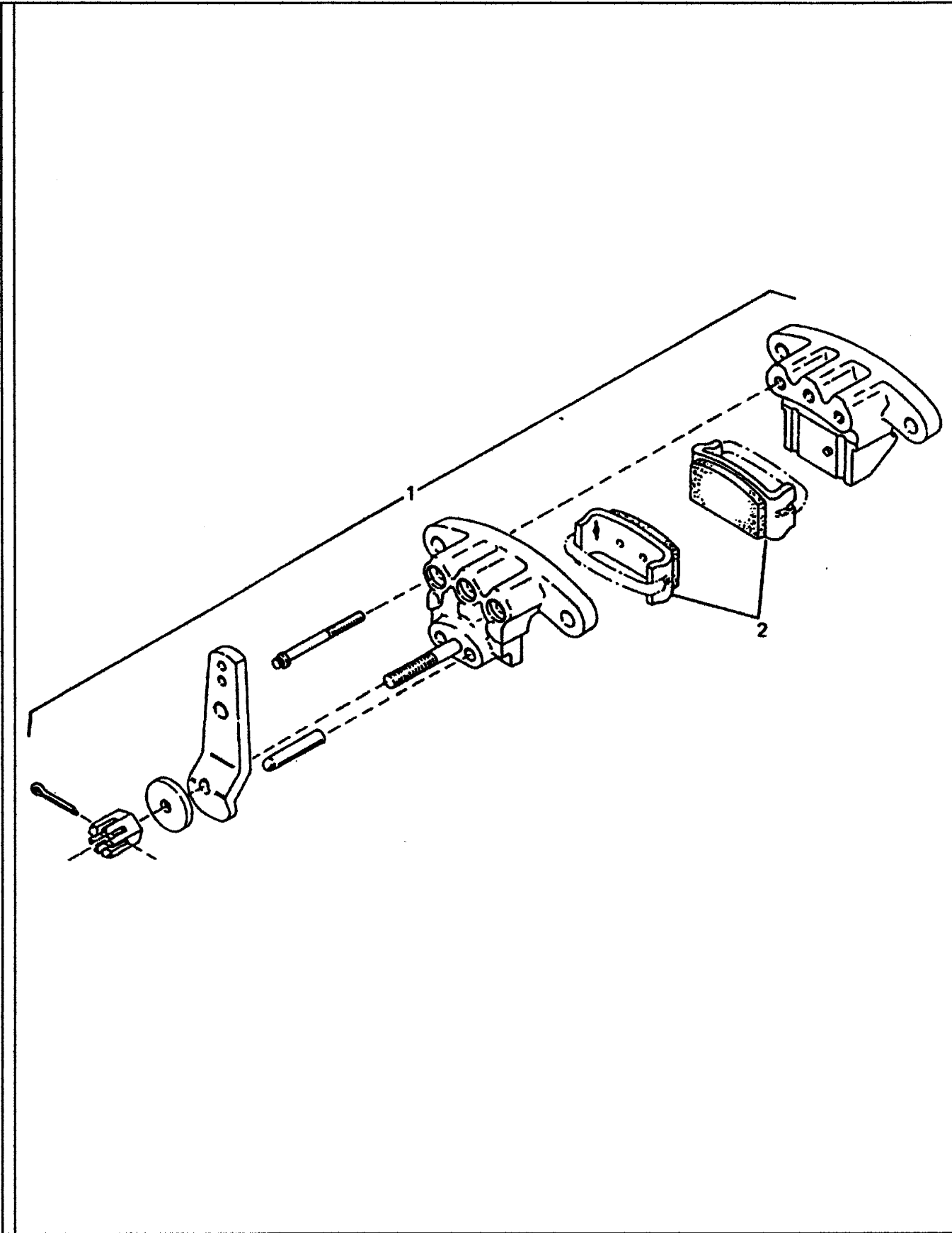
ITEM	COMM. NO.	DESCRIPTION	QTY	DIMENSIONS/NOTES
		<small>BOM 59494039-SHT. 13</small>		
-	-----	Caliper Disc Brake Assembly	1	
1	58866534	Caliper Parking Brake	1	See Page D.2.30
2	58923186	Mounting Bracket Assembly	1	
3	58944372	Brake Disc	1	.450" Min.
4	58961210	Screw, Disc to Flange	6	
5	95839379	Cap Screw, Bracket To Bearing	4	
6	59050310	Washer, Bracket To Bearing Cap Screw	4	
7	58966763	Screw, Caliper To Bracket	2	
8	58966771	Nut, Caliper To Bracket Screw	2	
-	58867128	Disc Brake Relining Kit	2	





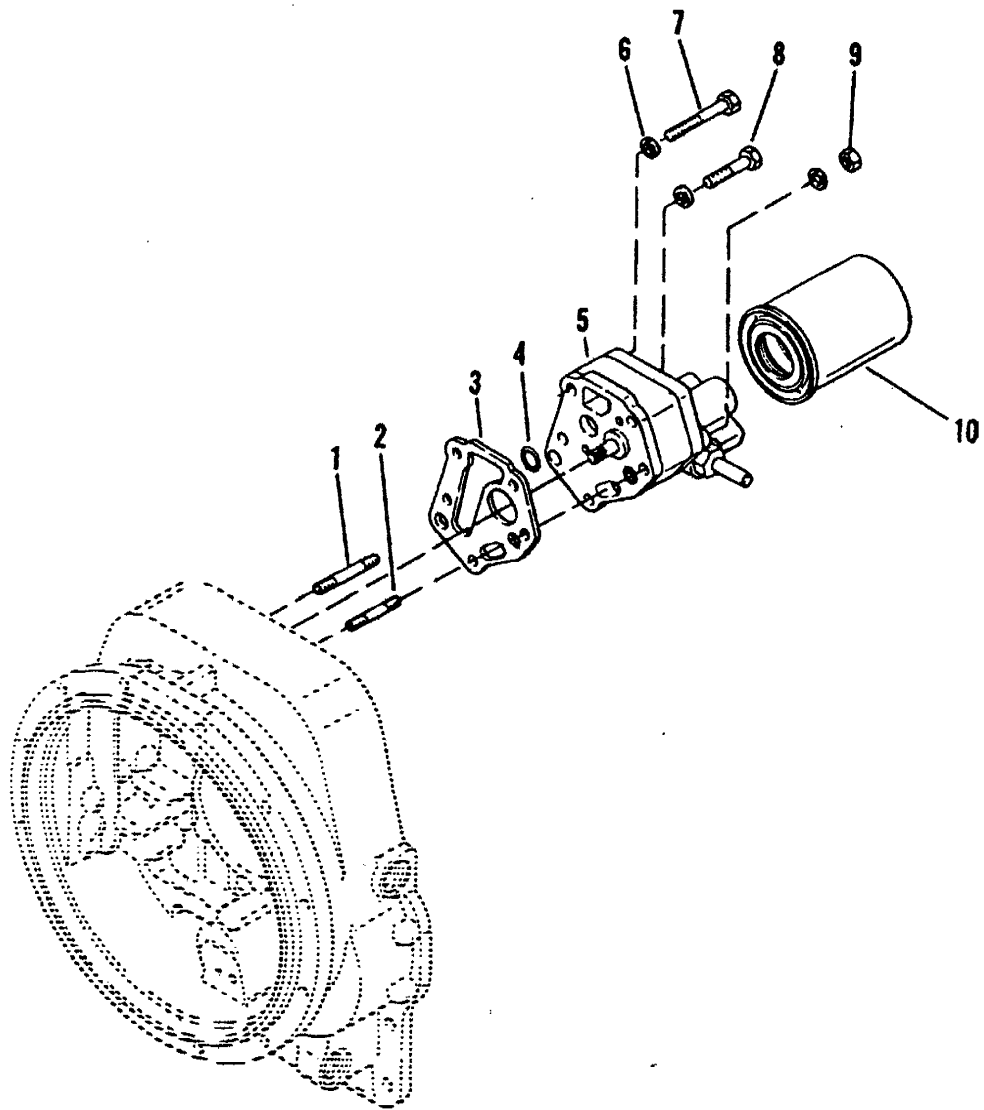
TRANSMISSION (59494039) - INTERNAL BREAKDOWN SHEET 14 OF 18

ITEM	COMM. NO.	DESCRIPTION	QTY	DIMENSIONS/NOTES
		BOM 59494039-SHT. 14		
-	-----	Caliper Parking Brake-New Style		
1	59050328	Pin, Hitch	1	
2	59050336	Nut, Castle	1	
3	59050344	Washer	1	
4	59050351	Lever	1	
5	59050369	Cam	1	
6	59050377	Pin, Push	1	
7	59050385	Bolt	3	
8	59050393	Casting, Cam Side	1	
9	59050419	Pad and Holder assembly	1	
10	59050401	Retainer, Spring	2	
11	59050427	Spring	2	
12	59050435	Pad, Holder, And Spring Assembly	2	
13	59050443	Carrier Side Sub Assembly	1	



TRANSMISSION (59494039) - INTERNAL BREAKDOWN SHEET 15 OF 18

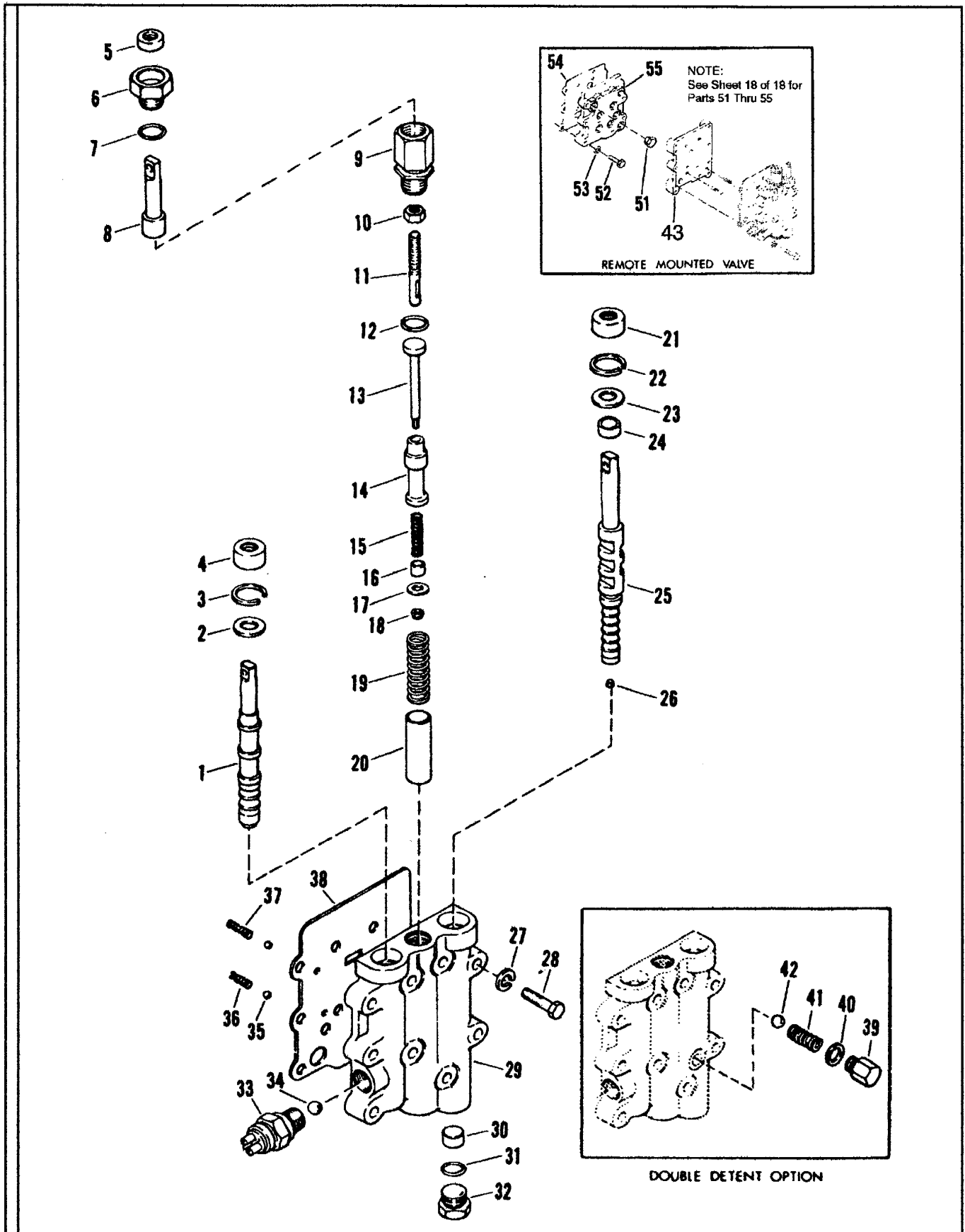
ITEM	COMM. NO.	DESCRIPTION	QTY	DIMENSIONS/NOTES
		<small>BOM 59494039-SHT. 15</small>		
-	_____	Caliper Parking Brake Assembly-Old Style	1	
1	58866534	Parking Brake Assembly (Includes item 2)	1	
2	58866526	-Disc Brake Relining Kit	1	



TRANSMISSION (59494039) - INTERNAL BREAKDOWN SHEET 16 OF 18

ITEM	COMM. NO.	DESCRIPTION	QTY	DIMENSIONS/NOTES
BOM 59494039-SET. 16				
-	-----	Charging Pump and Filter Assembly Group	1	
1	51009009	Pump Mounting Stud	1	
2	51009017	Pump Mounting Stud	1	
3	50958198	Pump Assembly to Conv. Housing Gasket	1	
4	59481382	O-Ring	1	
5	50958214	Charging Pump Assembly	1	
6	50756352	Pump Mounting Screw Lock Washer	5	
7	59482026	Pump Mounting Screw	1	
8	59482034	Pump Mounting Screw	2	
9	50756451	Pump Mounting Stud Nut	2	
10	58886136	Filter	1	

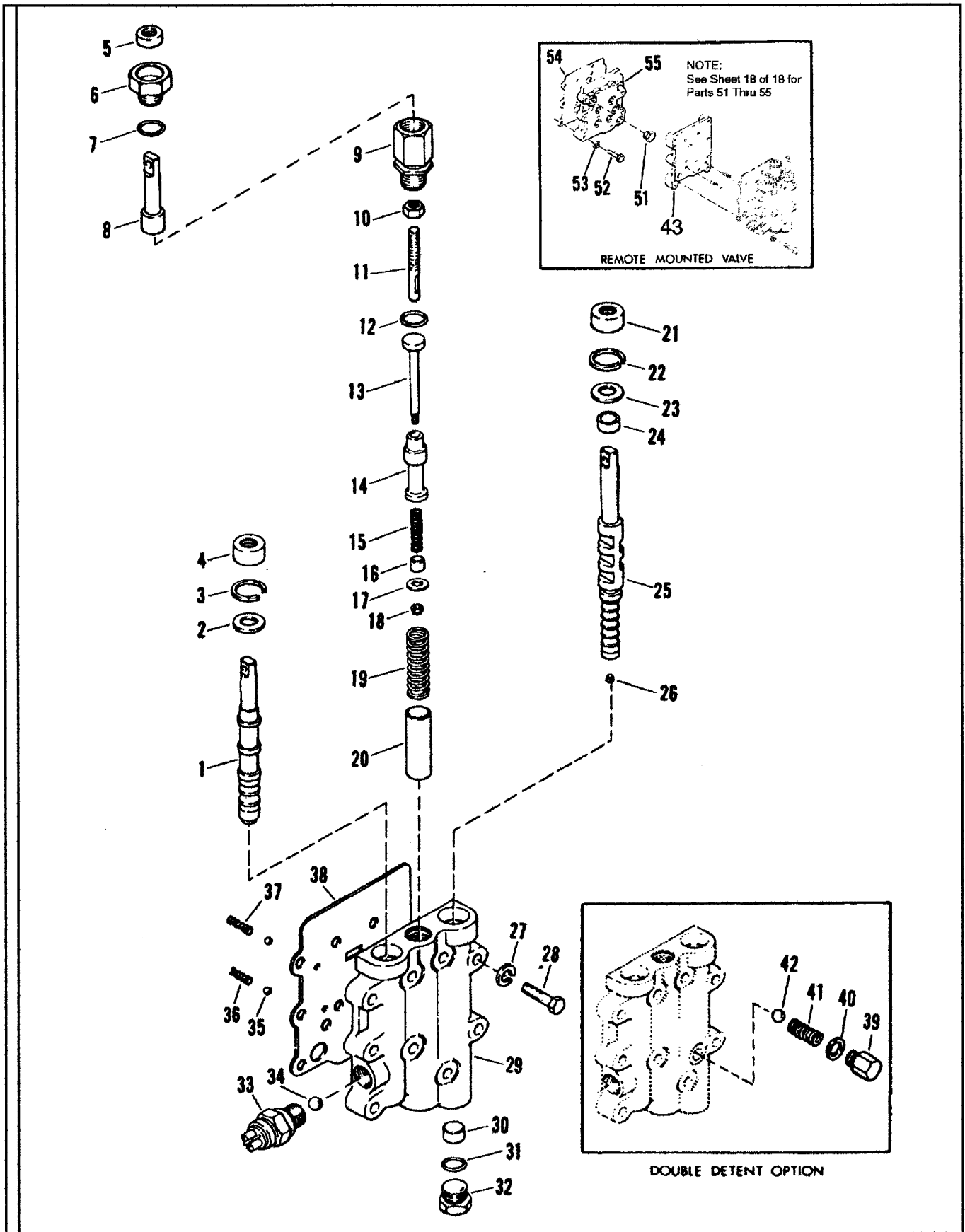
TRANSMISSION (59494039) - INTERNAL BREAKDOWN SHEET 17 OF 18



TRANSMISSION (59494039) - INTERNAL BREAKDOWN SHEET 17 OF 18

ITEM	COMM. NO.	DESCRIPTION	QTY	DIMENSIONS/NOTES
		BOM 59494039-SET. 17		
-		Control Valve with Mechanical Inching Double Detent - Remote Mounted	1	
1	50755974	Forward and Reverse Valve Spool	1	
2	50754993	Valve Spool Oil Seal Washer	1	
3	50756493	Valve Spool Oil Seal Retainer Ring	1	
4	50756998	Valve Spool Oil Seal	1	
5	59482059	Inching Valve Oil Seal	1	
6	59482067	Inching Valve Stop Plug	1	
7	59482075	Inching Valve O-Ring	1	
8	58886144	Inching Valve Spool	1	
9	58886151	Inching Valve Assembly	1	(Includes items 5 thru 12)
10	58886359	Nut	1	
11	58886367	Inching Valve Spool Rod	1	
12	50847631	Inching Valve O-Ring	1	
13	59482133	Inching Valve Piston	1	
14	59482141	Inching Regulator Spool	1	
15	58886169	Balance Spring	1	
16	59482166	Balance Spring Spacer	1	
17	59482174	Balance Spring Washer	1	
18	59482182	Stop Nut	1	
19	59482190	Return Spring	1	
20	59482208	Regulator Spool Spacer	1	
21	50756998	Valve Spool Oil Seal	1	
22	58886177	Valve Spool Oil Seal Retainer Ring	1	
23	50754993	Valve Spool Oil Seal Washer	1	
24	50756113	Overshift Spacer	1	
25	59482216	Speed Selector Spool	1	(Includes item 26)
26	51009405	Speed Selector Spool Pipe Plug	1	
27	50756345	Valve to Conv. Housing Screw Lock Washer	9	
28	50753953	Valve to Conv. Housing Screw	9	
29	58886185	Control Valve Housing Assembly	1	(Includes items 1 thru 26, 30 thru 34, and 39 thru 42)
30	50756105	Overshift Spacer	1	
31	50847706	Valve Housing Plug O-Ring	1	
32	50756253	Valve Housing Plug	1	
33	59445155	Neutral Switch	1	
34	50754696	Detent Ball	1	
35	50754696	Detent Ball	2	

TRANSMISSION (59494039) - INTERNAL BREAKDOWN SHEET 17 OF 18



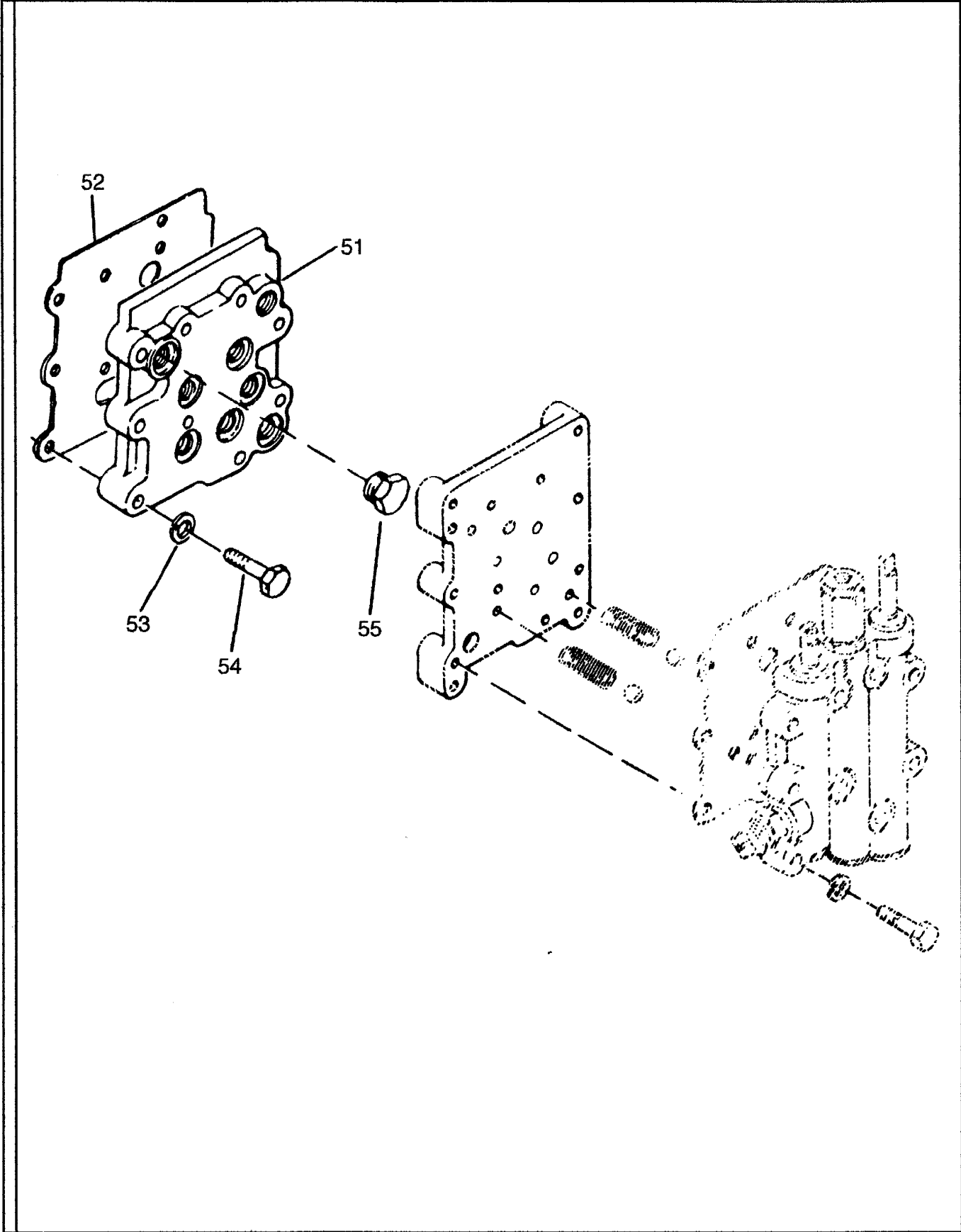
VR-90B

I.15.38



TRANSMISSION (59494039) - INTERNAL BREAKDOWN SHEET 17 OF 18

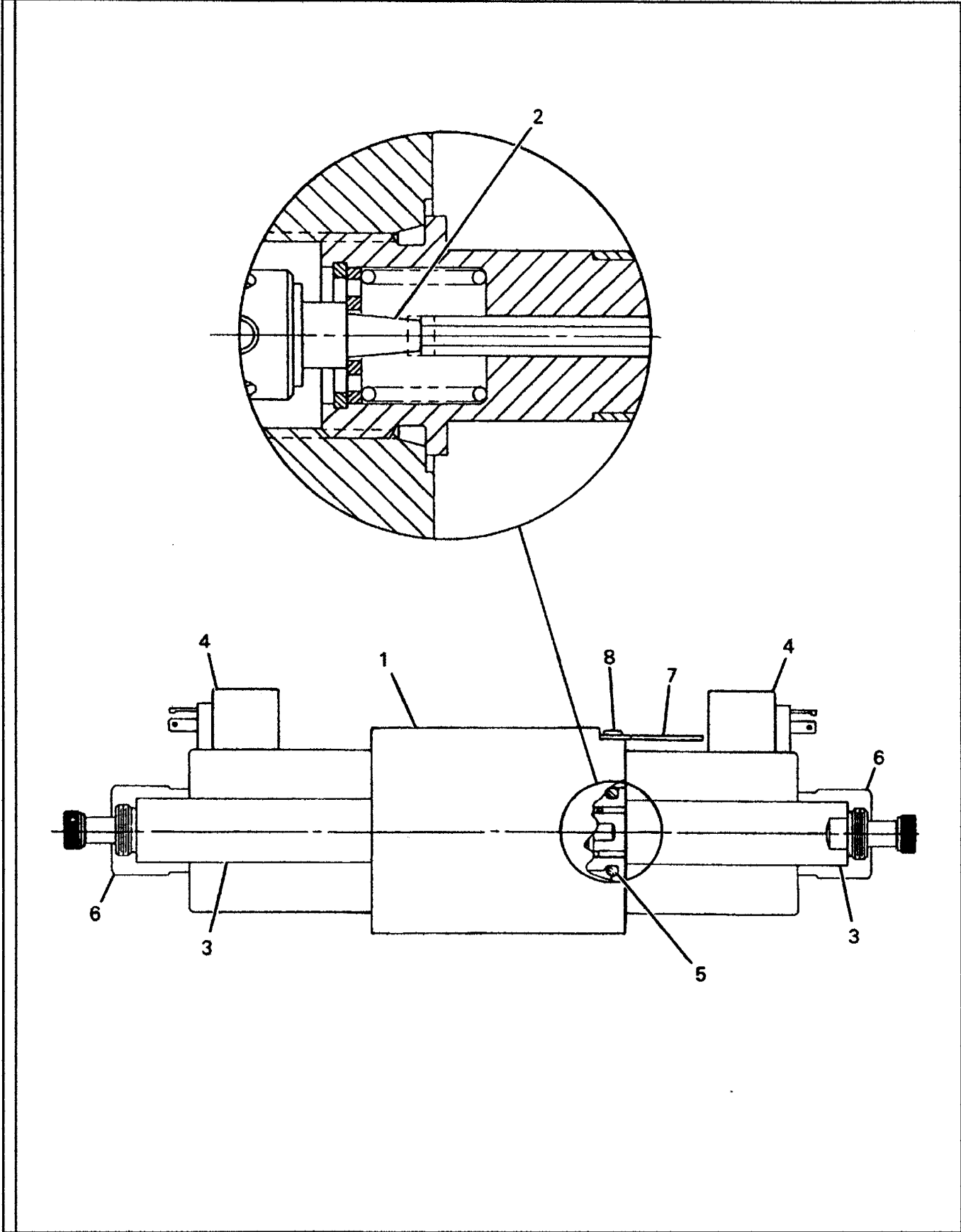
ITEM	COMM. NO.	DESCRIPTION	QTY	DIMENSIONS/NOTES
BOM 59494039-SHT. 17				
36	50754829	Detent Spring	1	
37	50754829	Detent Spring	1	
38	58886193	Control Valve to Plate Gasket	1	
39	50757079	Detent Spring Plug	1	
40	50757087	Detent Spring Plug Washer	1	
41	50754829	Detent Spring	1	
42	50754696	Detent Ball	1	
43	50755982	Control Valve Mounting Plate	1	



**TRANSMISSION (59494039) - INTERNAL BREAKDOWN SHEET 18 OF 18**

ITEM	COMM. NO.	DESCRIPTION	QTY	DIMENSIONS/NOTES
		BOM 59494039-SHT. 18		
-	-----	Remote Valve Adapter Plate Group	1	
51	58886201	Remote Control Valve Adapter Plate	1	
52	58886219	Adapter Plate Gasket	1	
53	58886227	Adapter Plate Mounting Screw Lock Washer	9	
54	58886235	Adapter Plate Mounting Screw	9	
55	58886243	Supply Plug	1	
56	58886250	Drain Plug (Not Shown)	1	

STEERING SELECTOR VALVE (58827544) - INTERNAL BREAKDOWN

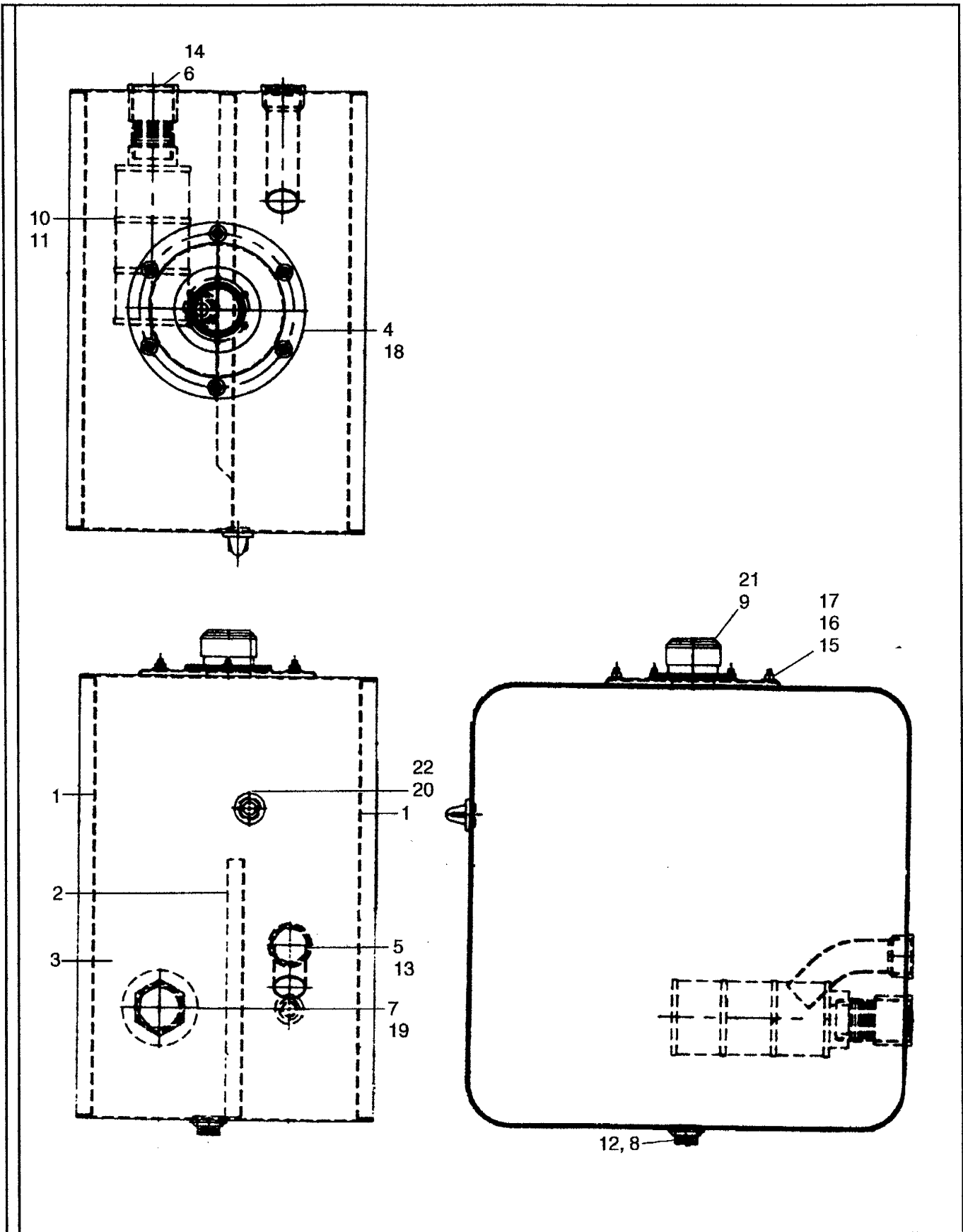


VR-90B

**STEERING SELECTOR VALVE (58827544) - INTERNAL BREAKDOWN**

ITEM	COMM. NO.	DESCRIPTION	QTY	DIMENSIONS/NOTES
		<small>BOM. 58827544</small>		
1	58912064	Block	1	
2	58912056	Spool	1	
3	58912155	Tube	2	
-	58912072	-Spring	1	
-	58912080	-Retainer	1	
-	58912098	-Retainer Ring	1	
4	58912049	Coil	2	
-	58814831	-Harness Connector	2	
5	58912148	O-Ring	2	
6	58912106	Nut	2	
7	N.S.S.	Nameplate	1	
8	58912122	Screw	1	Pan Head

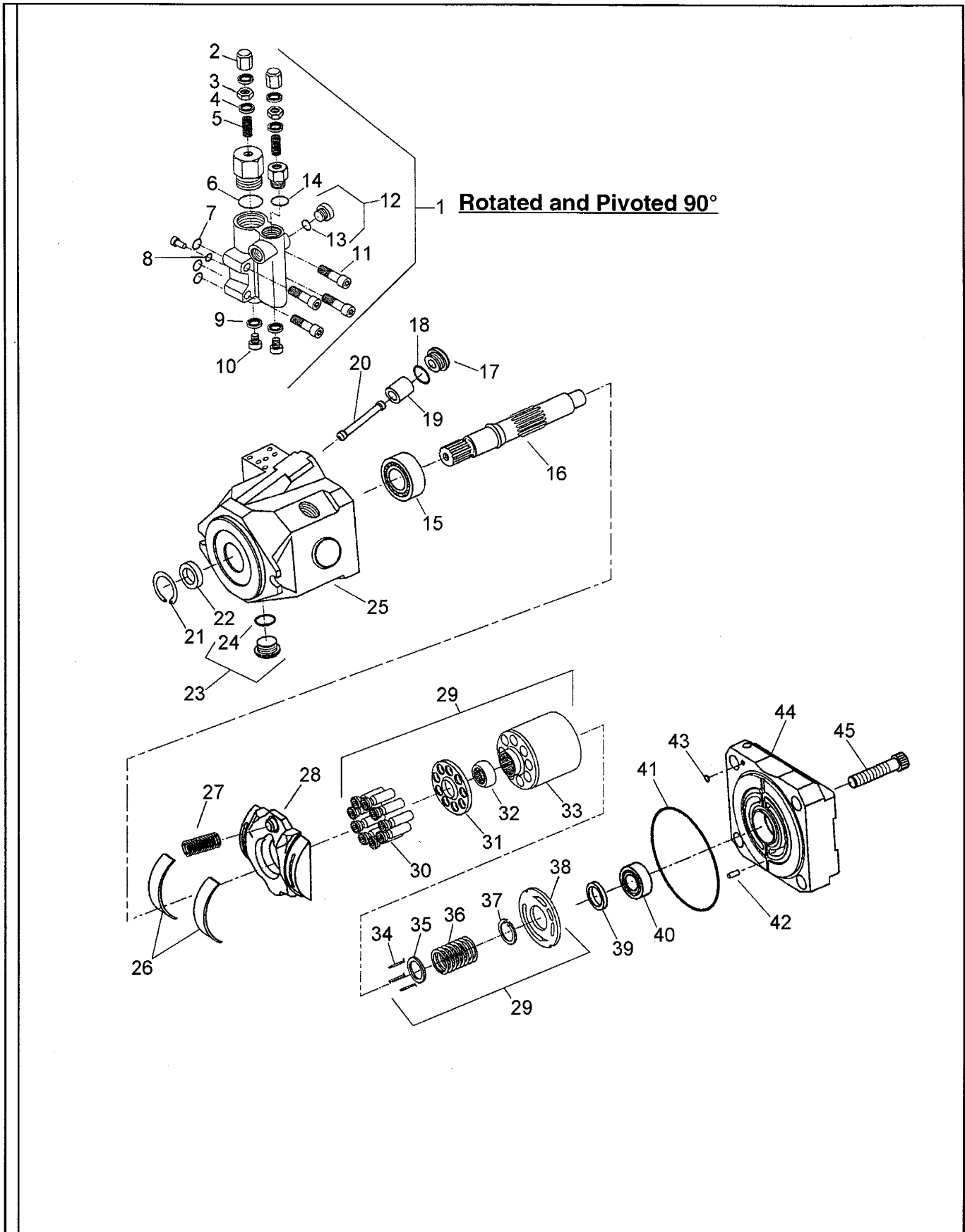
# HYDRAULIC TANK (59495069) - INTERNAL BREAKDOWN



HYDRAULIC TANK (59495069) - INTERNAL BREAKDOWN

ITEM	COMM. NO.	DESCRIPTION	QTY	DIMENSIONS/NOTES
		BOM 59052621		
1	N.S.S.	Head	2	
2	N.S.S.	Baffle	1	
3	N.S.S.	Shell	1	
4	59052639	Cover	1	
5	N.S.S.	Tube Assembly	1	
6	N.S.S.	Pipe Assembly	1	
7	N.S.S.	Forged Flange	1	3/8 NPTF
8	N.S.S.	Forged Flange	1	3/4 NPTF
9	59414243	Fill-Breather Assembly	1	3.0 Screen
10	59013417	Strainer	1	
11	59052647	Strainer Magnet	2	
12	N.S.S.	Plug	1	3/4 NPTF
13	N.S.S.	Plug	1	1 5/8 - 12
14	N.S.S.	Plug	1	1 7/8 - 12
15	N.S.S.	Weld Stud	1	1/4 - 20
16	59052654	Nut, Hex	6	1/4 - 20
17	59052662	Washer, Std. Flat	6	1 1/4
18	59416321	O'Ring	1	6.0 I.D. x 6.5 O.D.
19	N.S.S.	Plastic Closure	1	
20	59414201	Sight Bulb	1	
21	N.S.S.	Screw	6	10-32 x 0.50
22	N.S.S.	O'Ring		

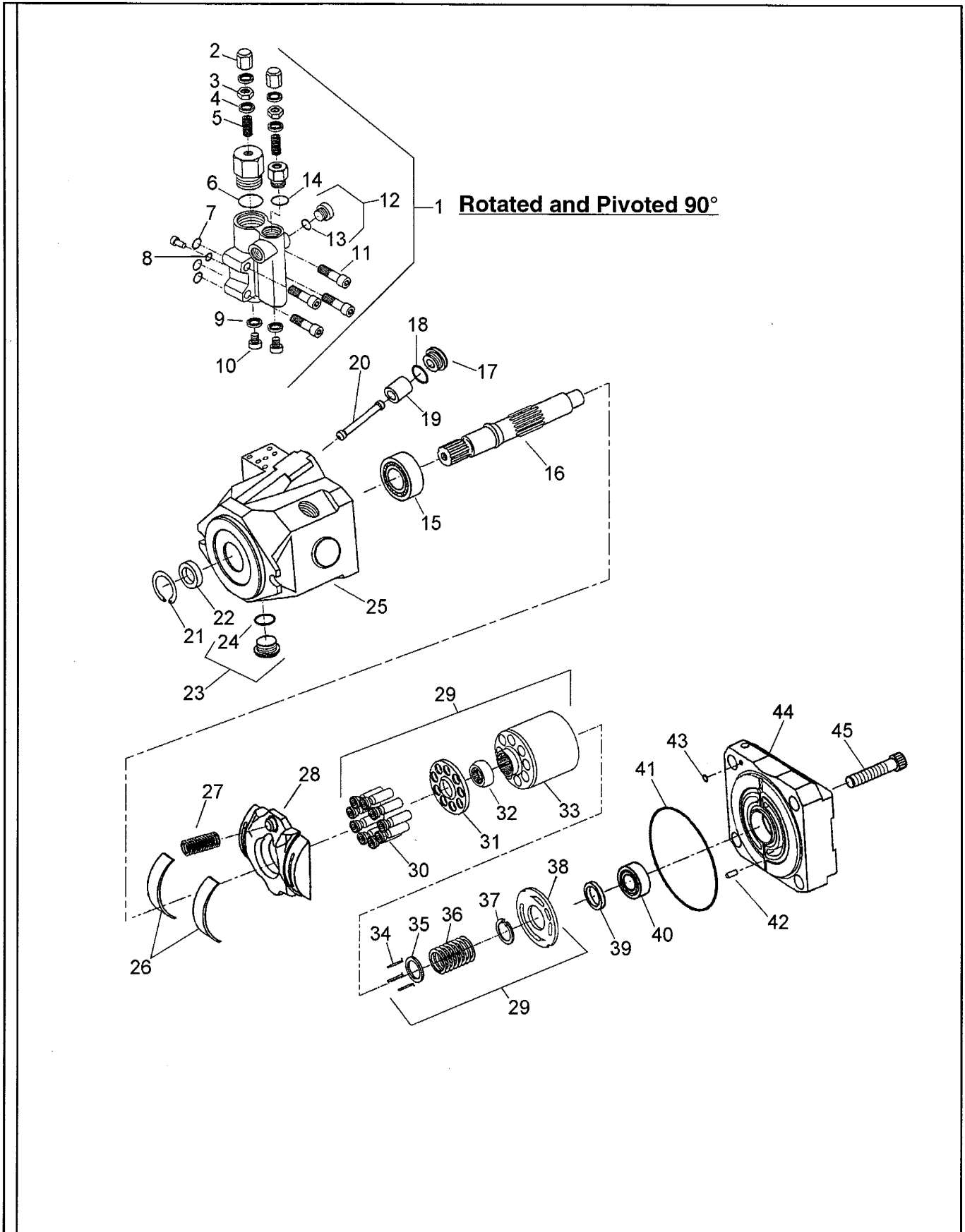
# MAIN HYDRAULIC & STEERING PUMP (59090027) - INTERNAL BREAKDOWN





MAIN HYDRAULIC & STEERING PUMP (59090027) - INTERNAL BREAKDOWN

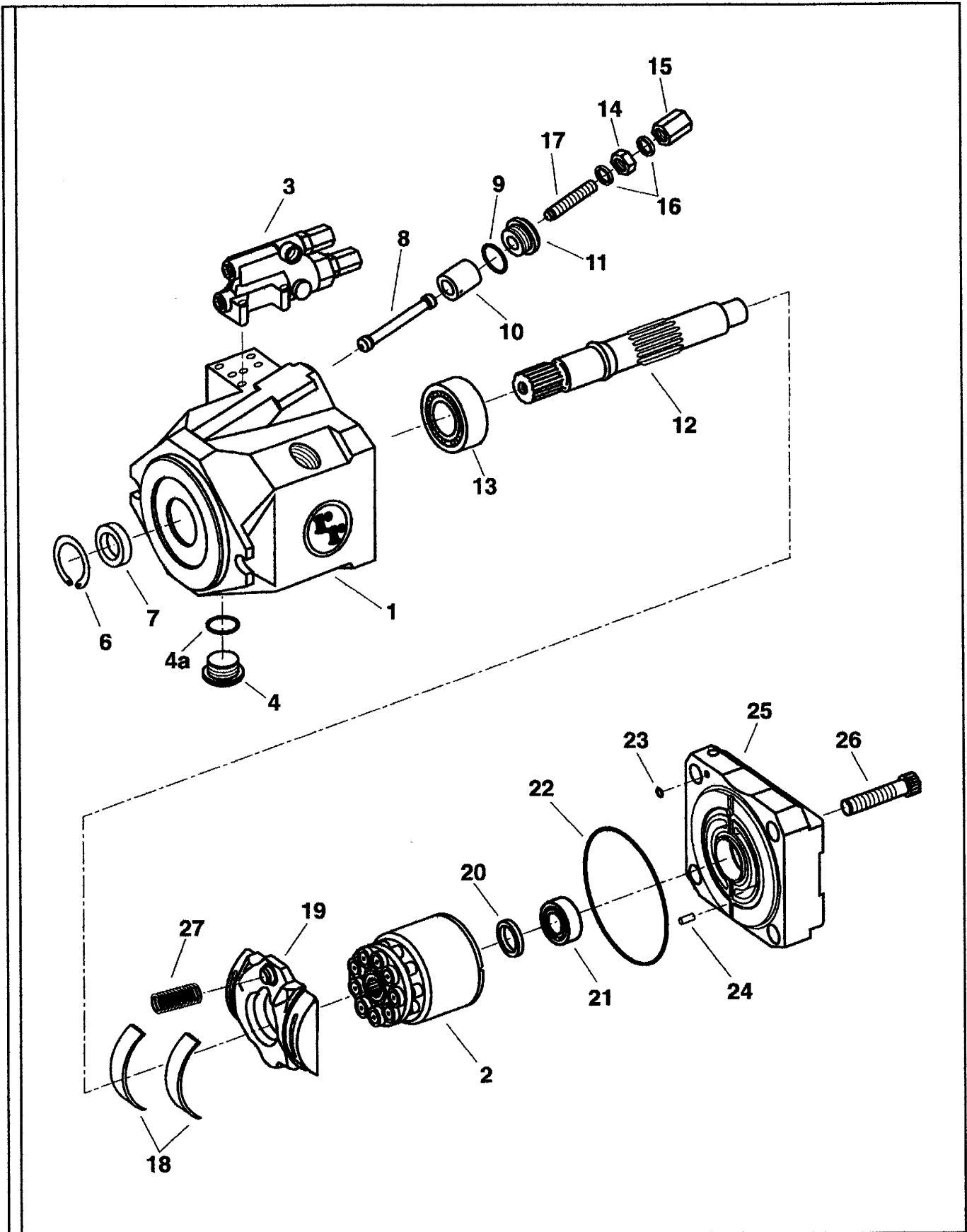
ITEM	COMM. NO.	DESCRIPTION	QTY	DIMENSIONS/NOTES
		BOM 59090027		
1	58876095	DFR1 Control (includes items 2 - 14)	1	
2	58876137	-Acorn Nut	2	M8
3	58818964	-Jam Nut	2	M8
4	N.S.S.	-Usit Ring	4	Included in Seal Kit
5	58818972	-Adjusting Screw	2	M8
6	N.S.S.	-O-ring	1	Included in Seal Kit
7	N.S.S.	-O-ring	3	Included in Seal Kit
8	N.S.S.	-O-ring	1	Included in Seal Kit
9	N.S.S.	-Usit Ring	2	Included in Seal Kit
10	58819574	-Plug	2	M8
11	59404202	-Cap Screw	4	M6 x 30
12	59404160	-Plug (includes item 13)	1	7/16 - 20
13	N.S.S.	-O-ring	1	Included in Seal Kit
14	N.S.S.	-O-ring	1	Included in Seal Kit
15	N.S.S.	Tapered Roller Bearing	1	Contained in Bearing Kit
16	58819335	Shaft	1	13T - "U"
17	59123687	Plug	1	
18	N.S.S.	O-ring	1	Included in Seal Kit
19	59123679	Piston	1	
20	58876087	Rod	1	
21	59348508	Seeger-V-Ring	1	J 40 x 1.75 V
22	N.S.S.	Shaft Seal (28 x 40 x 6/6.5-FPM)	1	Included in Seal Kit
23	51050532	Plug (includes item 24)	1	7/8 - 14
24	N.S.S.	-O-ring	1	Included in Seal Kit
25	N.S.S.	Housing	1	
26	N.S.S.	Swash Plate Bearing	2	Contained in Bearing Kit
27	58828815	Spring	1	
28	58828799	Swash Plate	1	
29	59404210	Rotary Group CW (includes items 30 - 38)	1	
30	59123695	-Piston	9	
31	59123703	-Retaining Plate	1	
32	59050567	-Retaining Ball	1	
33	58819384	-Barrel	1	
34	13090857	-Pressure Pin	3	
35	58818949	-Disc-Retaining Clip	1	M27.5 x 36.5
36	58819426	-Spring	1	
37	58818931	-Snap Ring	1	M38 x 1.5
38	59348557	-Lens Plate	1	



MAIN HYDRAULIC & STEERING PUMP (59090027) - INTERNAL BREAKDOWN - continued

ITEM	COMM. NO.	DESCRIPTION	QTY	DIMENSIONS/NOTES
39	58818782	Preload Shim	1	3.00mm
40	N.S.S.	Tapered Roller Bearing	1	Contained in Bearing Kit
41	N.S.S.	O-ring	1	Included in Seal Kit
42	N.S.S.	Dowell Pin	1	M6 x 18 DIN
43	N.S.S.	O-ring	1	Included in Seal Kit
44	N.S.S.	Block Port Assembly	1	
45	58818824	Cap Screw	4	M12 x 45
**	58828880	Seal Kit	A/R	
**	58828898	Bearing Kit	A/R	

MAIN HYDRAULIC AND STEERING PUMP (59001321) - INTERNAL BREAKDOWN  
SHEET 1 OF 3

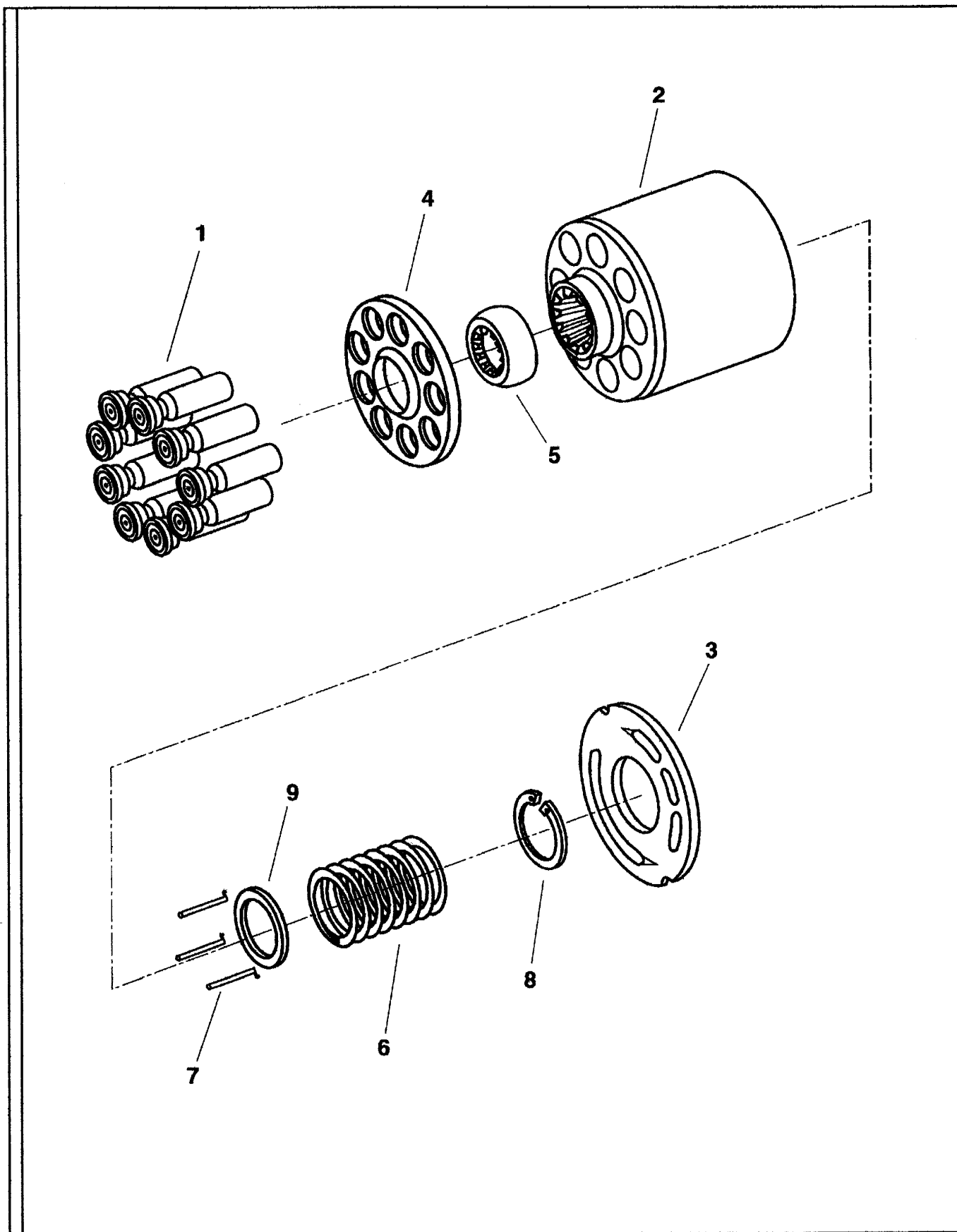


VR-90B

**MAIN HYDRAULIC AND STEERING PUMP (59001321) - INTERNAL BREAKDOWN  
SHEET 1 OF 3**

<b>ITEM</b>	<b>COMM. NO.</b>	<b>DESCRIPTION</b>	<b>QTY</b>	<b>DIMENSIONS/NOTES</b>
		<small>BOM</small>		
		NOTE: THIS PUMP IS USED ON MACHINES EFFECTIVE WITH S/N: 142719		
1	59050492	Housing	1	
2	59404210	Rotary Group CW	1	See Breakdown
3	58876095	Control DFR1	1	
4	51050532	Plug	1	7/8-14
4a	59050500	O-Ring	1	Contained in Seal Kit
6	59348508	Seeger-V-Ring	1	
7	59050518	Shaft Seal	1	Contained in Seal Kit
8	58876087	Rod	1	
9	58876111	O-Ring	1	Contained in Seal Kit
10	58876079	Piston	1	
11	58828807	Plug	1	
12	59050526	Shaft (15 Tooth)	1	
13	58818790	Tapered Roller Bearing	1	
14	58876129	Jam Nut	1	
15	58828856	Nut	1	
16	58815853	O-Ring	2	Contained in Seal Kit
17	58828849	Stroke Limit Screw	1	
18	59050534	Swash Plate Bearing	2	
19	58828799	Swash Plate CW	1	
20	58818782	Preload Shim	1	
21	59348581	Tapered Roller Bearing	1	
22	58876103	O-Ring	1	Contained in Seal Kit
23	13090816	O-Ring	1	Contained in Seal Kit
24	59404335	Dowell Pin	1	
25	59050542	Port Block	1	
26	58818824	Cap Screw	4	
27	58828815	Spring	1	
-	58828880	Seal Kit	1	

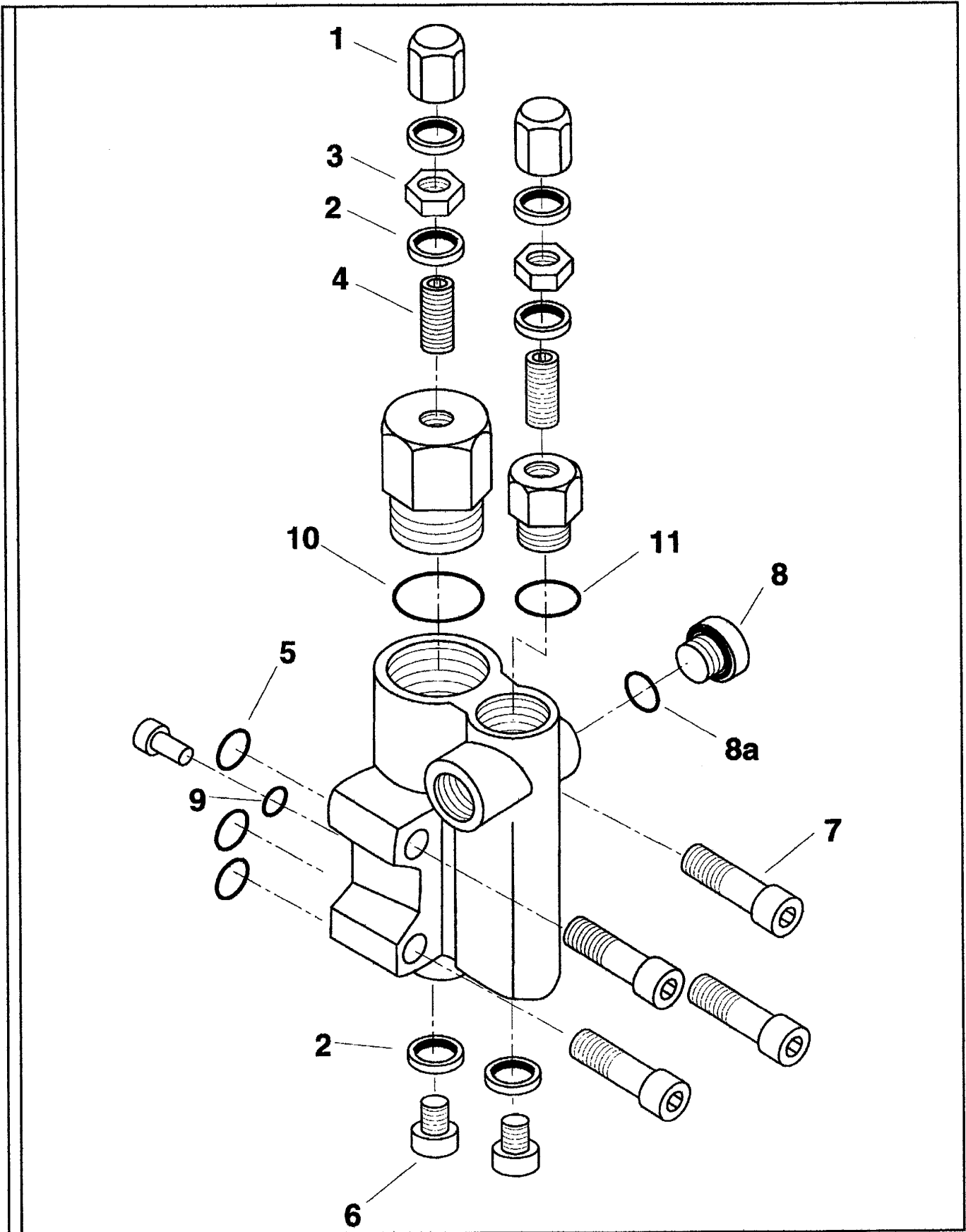
MAIN HYDRAULIC AND STEERING PUMP (59001321) - INTERNAL BREAKDOWN  
SHEET 2 OF 3



**MAIN HYDRAULIC AND STEERING PUMP (59001321) - INTERNAL BREAKDOWN  
SHEET 2 OF 3**

1	13090832	Piston	9	
2	58819384	Barrel	1	
3	59348557	Lens Plate	1	
4	59050559	Retaining Plate	1	
5	59050567	Retaining Ball	1	
6	58819426	Spring	1	
7	13090857	Pressure Pin	3	
8	58818931	Snap Ring	1	3/8 x 1.5
9	58818949	Disc Retaining Clip	1	27.50 x 36.50

MAIN HYDRAULIC AND STEERING PUMP (59001321) - INTERNAL BREAKDOWN  
SHEET 3 OF 3



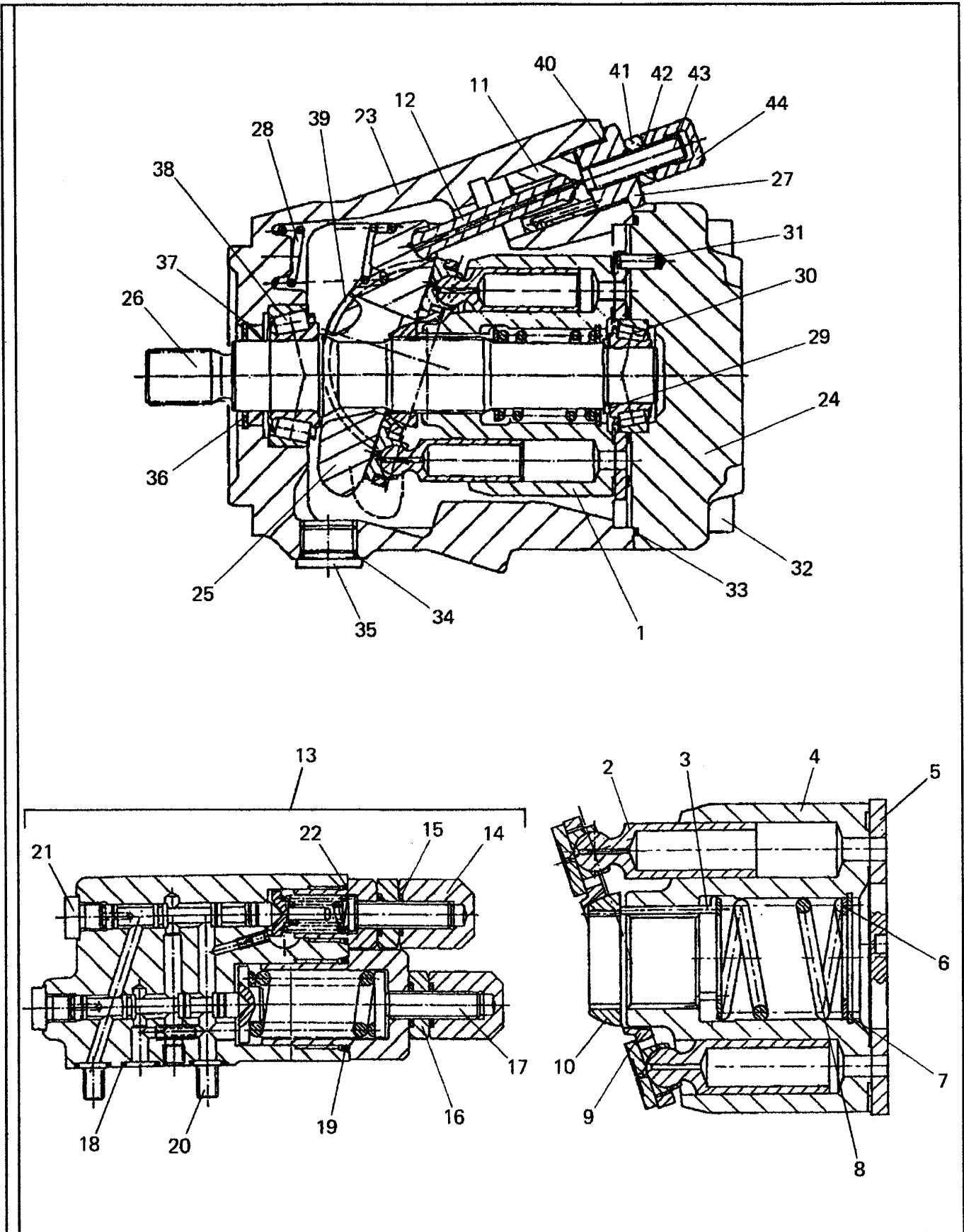
VR-90B



**MAIN HYDRAULIC AND STEERING PUMP (59001321) - INTERNAL BREAKDOWN  
SHEET 3 OF 3**

1	58876137	Acorn Nut	2	M8
2	59404178	Usit Ring	6	Contained in Seal Kit
3	58818964	Jam Nut	2	M8
4	58818972	Adjusting Screw	2	M8
5	59977306	O-Ring	3	Contained in Seal Kit
6	58819574	Plug	2	M8
7	59404202	Cap Screw	4	M6 x 30 mm
8	59404160	Plug	1	
8a	51055465	O-Ring	1	Contained in Seal Kit
9	13090865	O-Ring	1	Contained in Seal Kit
10	59305680	O-Ring	1	Contained in Seal Kit
11	59349423	O-Ring	1	Contained in Seal Kit
-	58828880	Seal Kit		

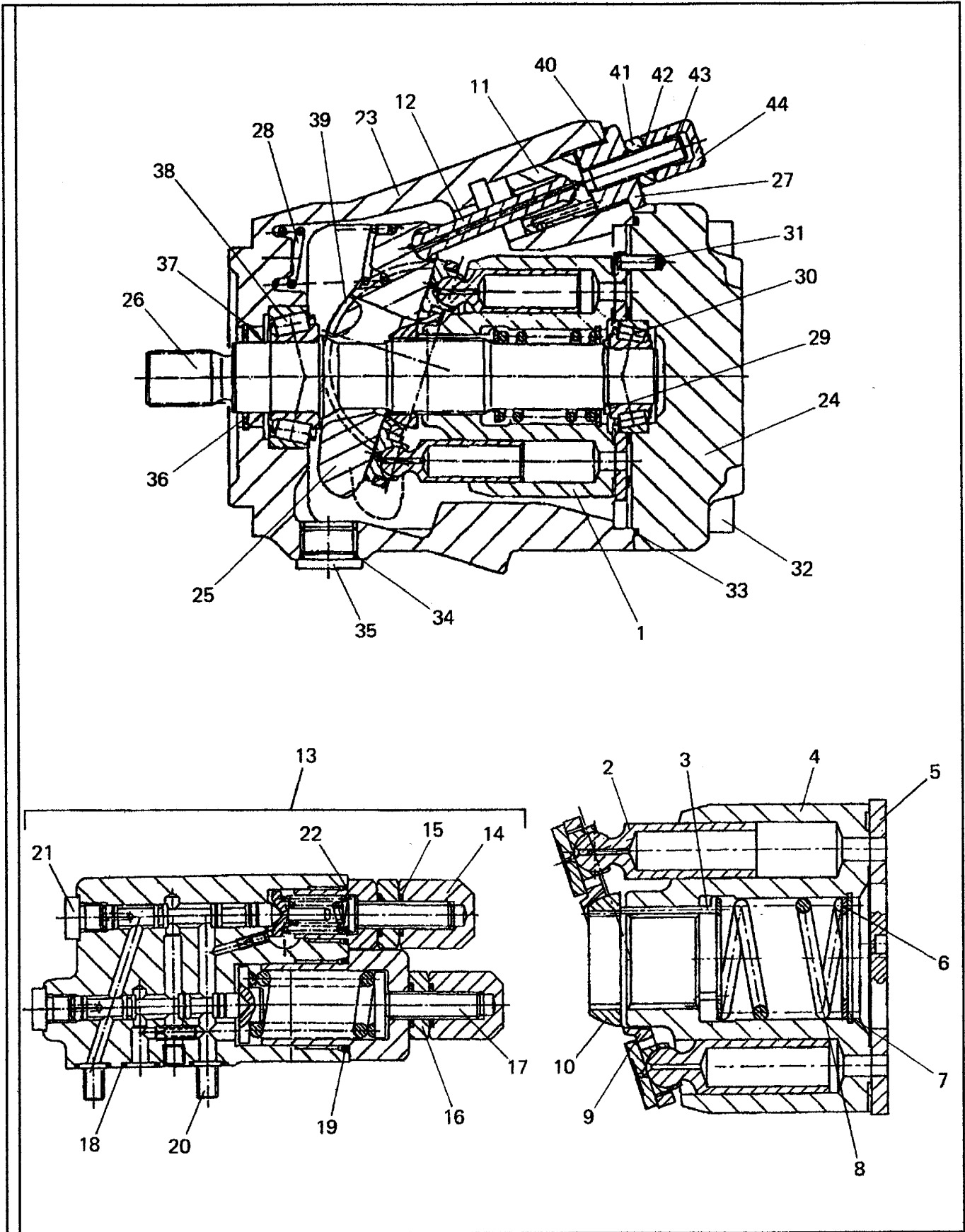
MAIN HYDRAULIC AND STEERING PUMP (59474783) - INTERNAL BREAKDOWN  
(Sheet 1 of 2)



**MAIN HYDRAULIC AND STEERING PUMP (59474783) - INTERNAL BREAKDOWN**  
(Sheet 1 of 2)

ITEM	COMM. NO.	DESCRIPTION	QTY	DIMENSIONS/NOTES
		<small>BOM 59474783</small>		
1	59404210	Rotary Group (Includes items 2 thru 10)	1	
2	58819376	-Piston	9	
3	58819434	-Pressure Pin	3	
4	58819384	-Barrel	1	
5	58819392	-Lens Plate	1	
6	58818949	-Retainer Clip Disc	1	
7	58818931	-Seeger V-Ring	1	
8	58819426	-Spring	1	
9	58819400	-Retaining Plate	1	
10	58819418	-Retaining Ball	1	
11	58876079	Piston	1	
12	58876087	Rod	1	
13	58876095	Control Valve (Includes items 14 thru 22)	1	
14	58876137	-Acorn Nut	2	
15	59404178	-Usit Ring	4	
16	58818964	-Jam Nut	2	
17	58818972	-Adjusting Screw	2	
18	59977306	-O-Ring	3	
19	59305680	-O-Ring	1	
20	58818980	-Cap Screw	4	
21	59404152	-Plug	2	
22	59349423	-O-Ring	1	
23	58828773	Housing	1	
24	58828781	Port Plate CW	1	
25	58828799	Swash Plate Assembly CW	1	
26	58819335	Shaft	1	
27	58828807	Adapter Nut	1	
28	58828815	Spring	1	
29	58818782	Preload Shim	1	
30	59348581	Rear Tapered Roller Bearing	1	
31	59404335	Dowel Pin	4	
32	58818824	Cap Screw	1	
33	58876103	O-Ring	1	
34	59350165	O-Ring	1	
35	51050532	Plug	1	
36	59346510	Shaft Seal	1	
37	58818816	Seeger V-Ring	1	
38	58818790	Front Tapered Roller Bearing	1	
39	58828823	Cradle Bearing	2	
40	58876111	O-Ring	1	

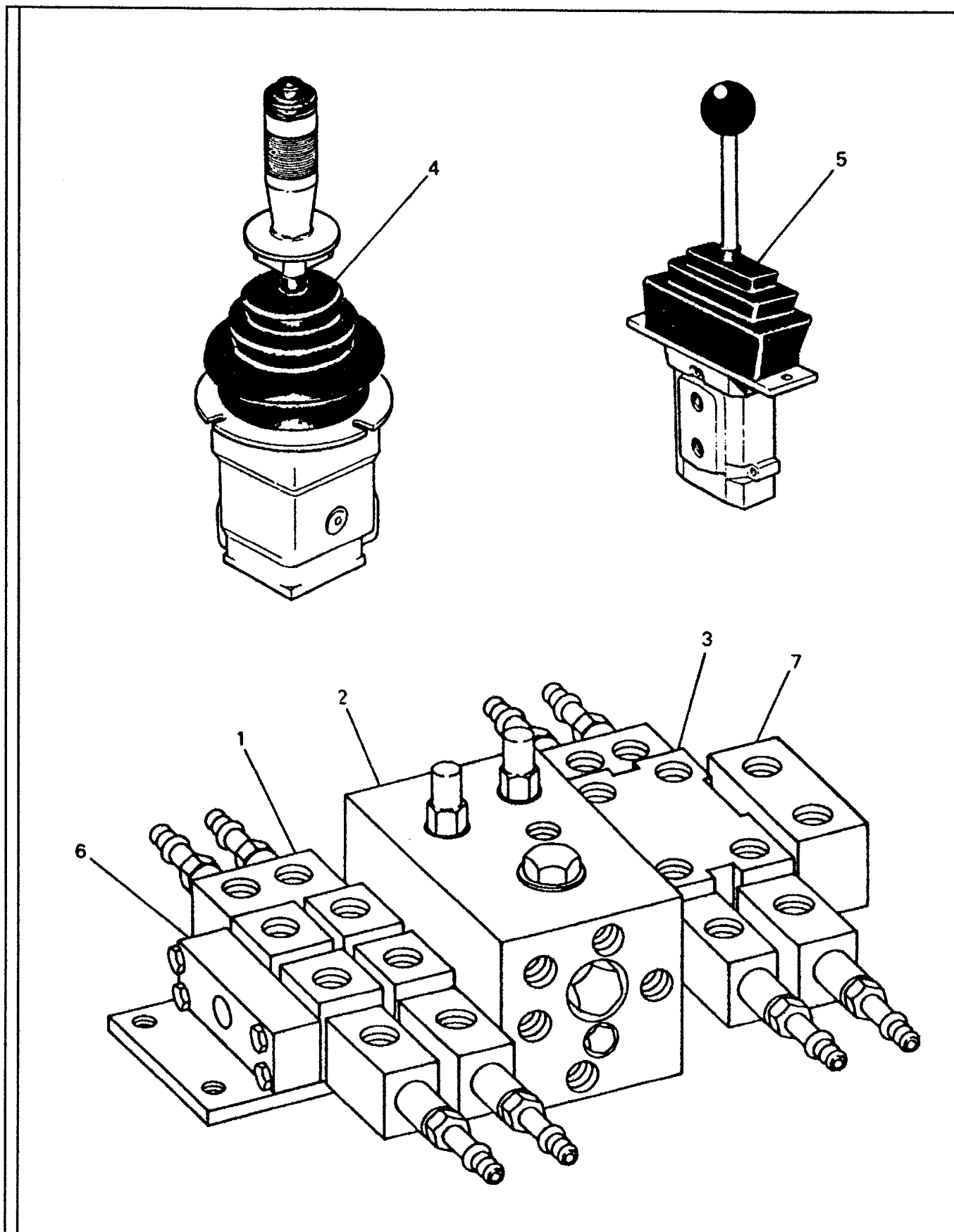
MAIN HYDRAULIC AND STEERING PUMP (59474783) - INTERNAL BREAKDOWN  
Sheet 2 of 2



MAIN HYDRAULIC AND STEERING PUMP (59474783) - INTERNAL BREAKDOWN

Sheet 2 of 2

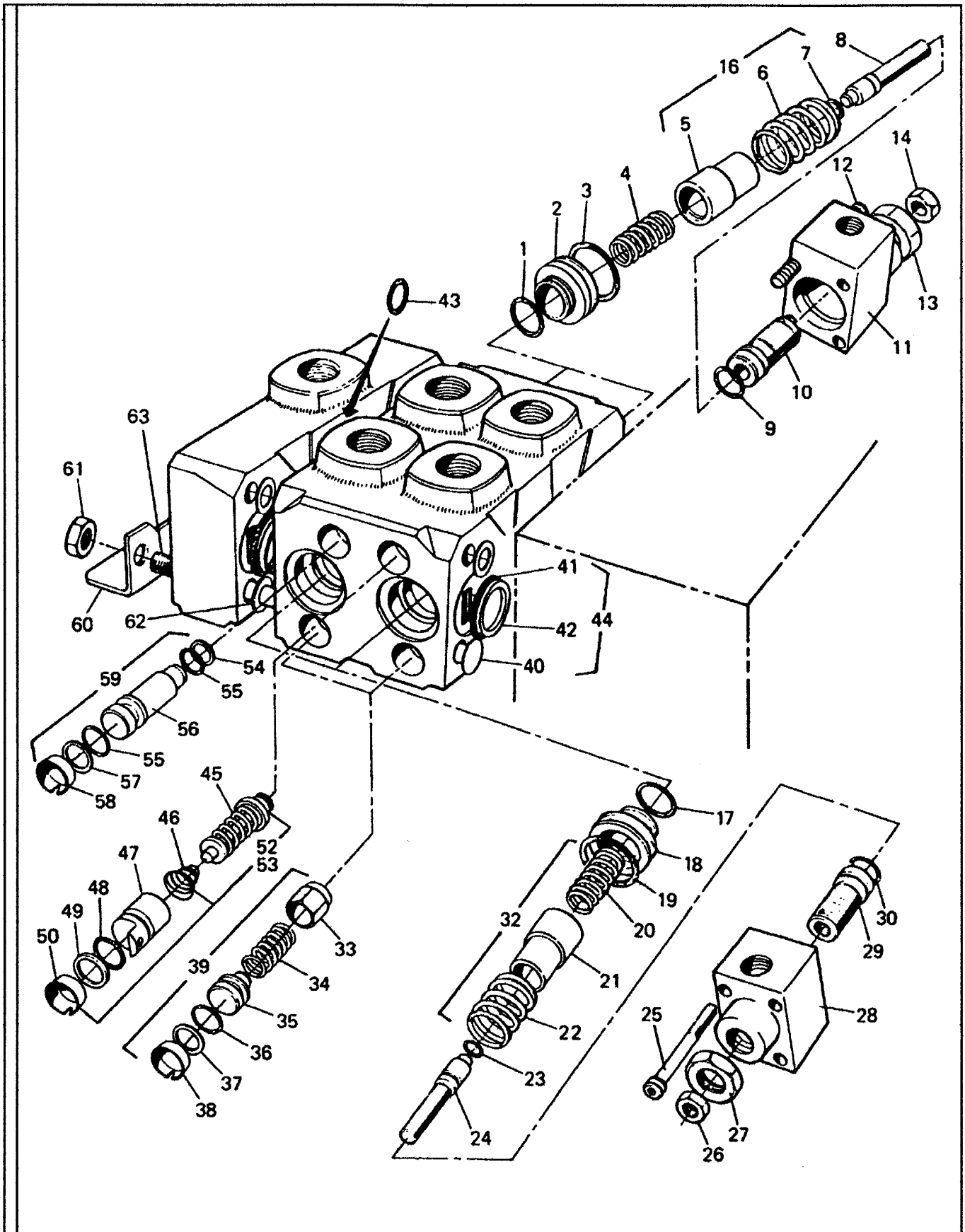
ITEM	COMM. NO.	DESCRIPTION	QTY	DIMENSIONS/NOTES
41	58876129	Lock Nut	1	
42	58815853	O-Ring	1	
43	58828849	Adjusting Screw	1	
44	58828856	Acorn Nut	1	
-	58828880	Seal Kit (Includes items 15,18,19,22,33,34,40, and 42)	1	
-	58828898	Bearing Kit (Includes items 30,38, and 39)	1	



VR-90B

HYDRAULIC KIT - NON-CBC (58973884) - INTERNAL BREAKDOWN - SHEET 1 OF 7

ITEM	COMM. NO.	DESCRIPTION	QTY	DIMENSIONS/NOTES
		58973884		
1	58905175	TILT AND LEVEL CONTROL VALVE	2	See Breakdown-F.7.4
2	59003939	MANIFOLD (Effective with S/N 5356)	1	See Breakdown-F.7.8
3	58905191	MANIFOLD (Prior to S/N 5340)	1	See Breakdown-F.7.10
3	58905167	CROWD AND BOOM CONTROL VALVE	2	See Breakdown-F.7.12
4	58887084	JOYSTICK TYPE CONTROLLER	1	See Breakdown-F.7.16
5	58887092	LINEAR TYPE CONTROLLER	2	See Breakdown-F.7.18
6	58905324	Outlet Section	1	
7	58905159	Inlet Section	1	

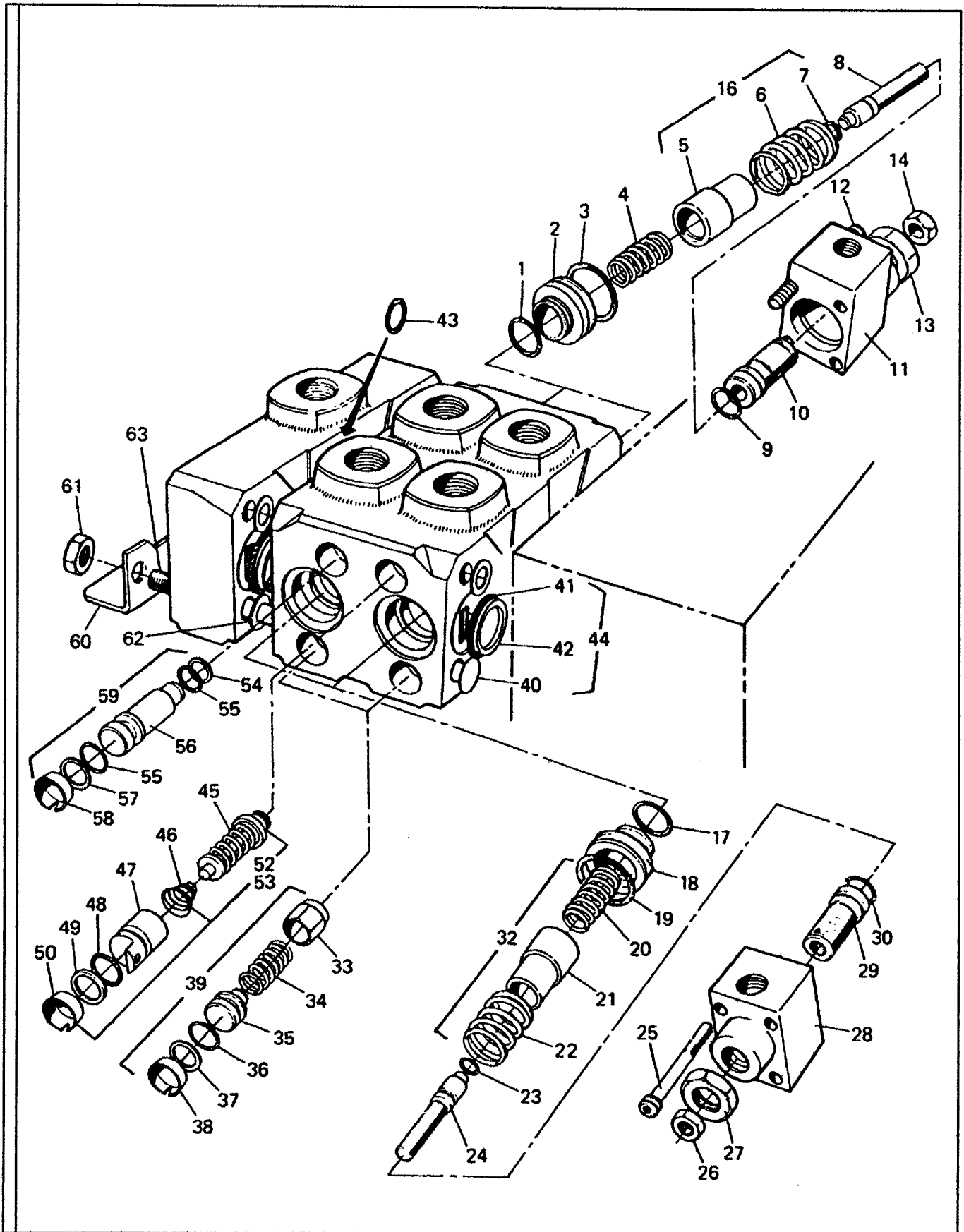


VR-90B



HYDRAULIC KIT - NON-CBC (58973884) - INTERNAL BREAKDOWN - SHEET 2 OF 7

ITEM	COMM. NO.	DESCRIPTION	QTY	DIMENSIONS/NOTES
		58973884		
-	58905175	TILT AND LEVEL CONTROL VALVE (Includes items 1 thru 64)	2	
1	58912411	O-Ring	2	
2	N.S.S.	Support Ring	2	
3	58912429	O-Ring	2	
4	58912395	Spring	2	
5	N.S.S.	Casing	2	
6	58912403	Spring	2	
7	58912437	O-Ring	2	
8	N.S.S.	Adjusting Screw	2	
9	58912478	O-Ring	2	
10	N.S.S.	Stroke Limitation Screw	2	
11	N.S.S.	Cap	2	
12	58912445	Screw	2	
13	58912452	Nut	2	
14	58912460	Nut	2	
15	58886474	Cap Kit (Includes items 1 thru 3 and 7 thru 14)	2	
16	58886458	Spring Kit (Includes items 4 thru 6)	2	
17	58912411	O-Ring	2	
18	N.S.S.	Support Ring	2	
19	58912429	O-Ring	2	
20	58912395	Spring	2	
21	N.S.S.	Casing	2	
22	58912403	Spring	2	
23	58912437	O-Ring	2	
24	N.S.S.	Adjusting Screw	2	
25	58912445	Screw	2	
26	58912452	Nut	2	
27	58912460	Nut	2	
28	N.S.S.	Cap	2	
29	N.S.S.	Stroke Limitation Screw	2	
30	58912478	O-Ring	2	
31	58886482	Cap Kit (Includes items 17 thru 19 & 23 thru 30)	2	
32	58886466	Spring Kit (Includes items 20 thru 22)	2	
33	N.S.S.	Poppet	4	
34	58912239	Spring	4	
35	N.S.S.	Spring Guide	4	
36	58912221	O-Ring	4	



VR-90B

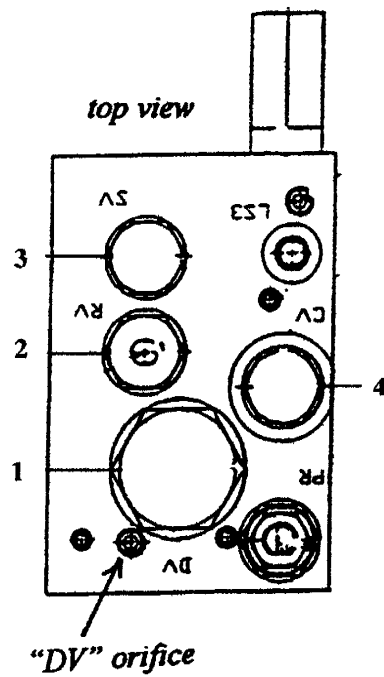
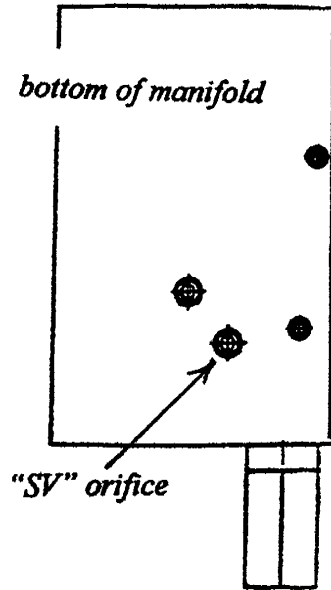
HYDRAULIC KIT - NON-CBC (58973884) - INTERNAL BREAKDOWN - SHEET 2 OF 7

ITEM	COMM. NO.	DESCRIPTION	QTY	DIMENSIONS/NOTES
		58973884		
37	58912189	Back up Ring	4	
38	58912213	Protective Cap	4	
39	58886532	Check Valve Assembly (Includes items 33 thru 38)	4	
40	58912353	Spacer Ring	8	
41	58912379	O-Ring	4	
42	58912387	Backup Ring	4	
43	58912361	O-Ring	2	
44	58886573	Intersection Seal Kit (Includes items 40 thru 43)	2	
45	N.S.S.	Cartridge	2	
46	58912262	Spring for Anticavitation	2	
47	N.S.S.	Plug	2	
48	58912197	O-Ring	2	
49	58912189	Backup Ring	2	
50	58912171	Protective Cap	2	
52	58912254	Relief Valve - Side A (Includes items 45, 46, and 50)	1	
53	58912247	Relief Valve - Side B (Includes items 45, 46, and 50)	1	
54	58912189	Backup Ring	2	
55	58912205	O-Ring	4	
56	N.S.S.	Y-Plug	2	
57	58912189	Backup Ring	2	
58	58912171	Protective Cap	2	
59	58912163	Y-Plug Assembly	2	
60	58912270	Mounting Plate	1	
61	58886557	Nut	2	
62	58912346	Washer	4	
63	58905357	Tie Rod	4	

VR-90B

I.21.7

HYDRAULIC KIT - NON-CBC (58973884) - INTERNAL BREAKDOWN - SHEET 3 OF 7  
Effective with S/N 5356



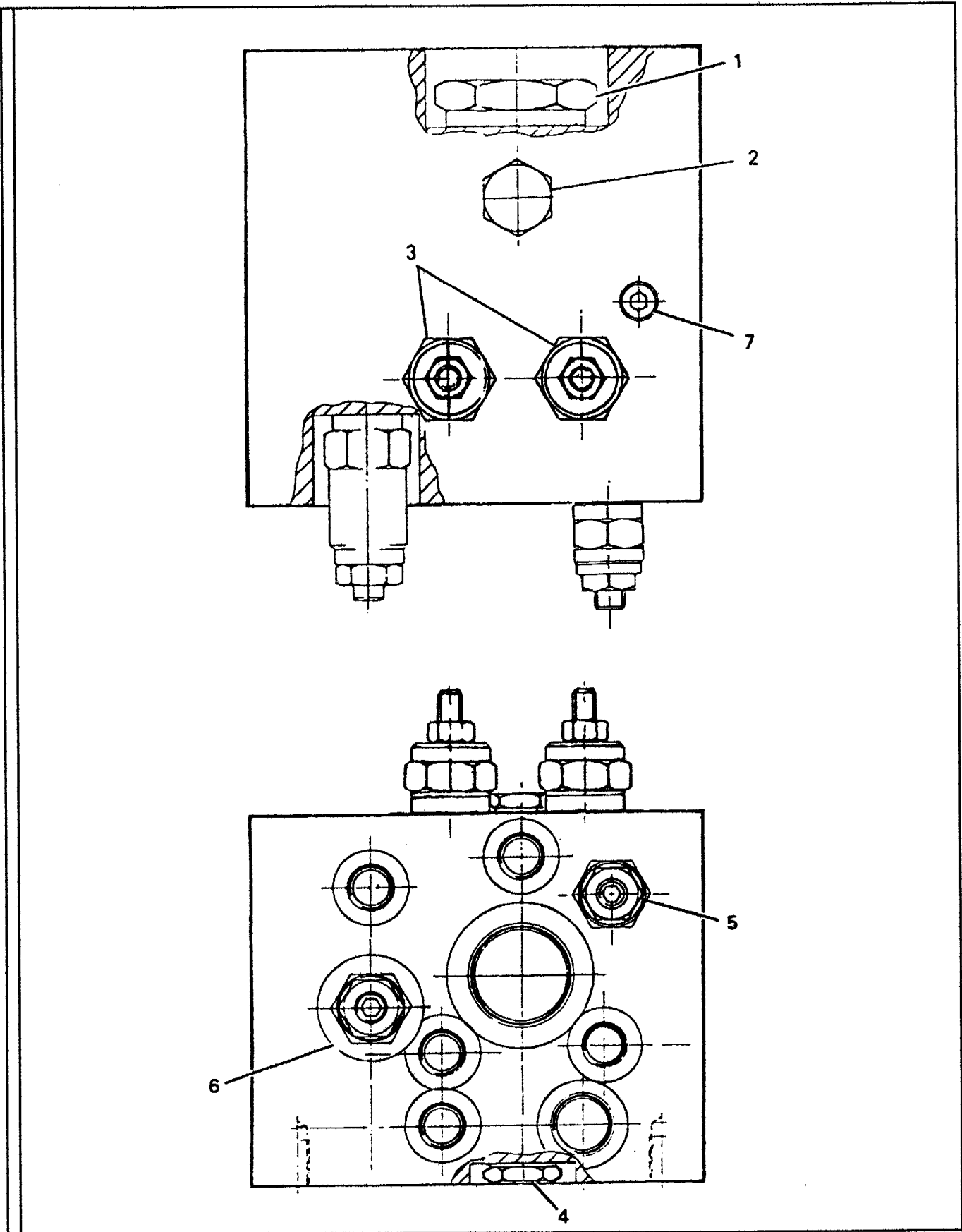
**HYDRAULIC KIT - NON-CBC (58973884) - INTERNAL BREAKDOWN - SHEET 3 OF 7**  
 Effective with S/N 5356

ITEM	COMM. NO.	DESCRIPTION	QTY	DIMENSIONS/NOTES
		58973884		
-	59003939	Manifold	1	
1	58996075	-Pilot operated three-way valve	1	
2	59004291	-Steering Relief Valve	1	
3	58996091	-Shuttle Valve	2	
4	58996109	-Check Valve	1	
-	58996117	-Pressure Reducing Valve	1	
-	58996125	-Four-Way Sequence Valve	1	
-	59052613	-Orifice	1	

VR-90B

I.21.9

HYDRAULIC KIT - NON-CBC (58973884) - INTERNAL BREAKDOWN - SHEET 4 OF 7  
Prior to S/N 5340

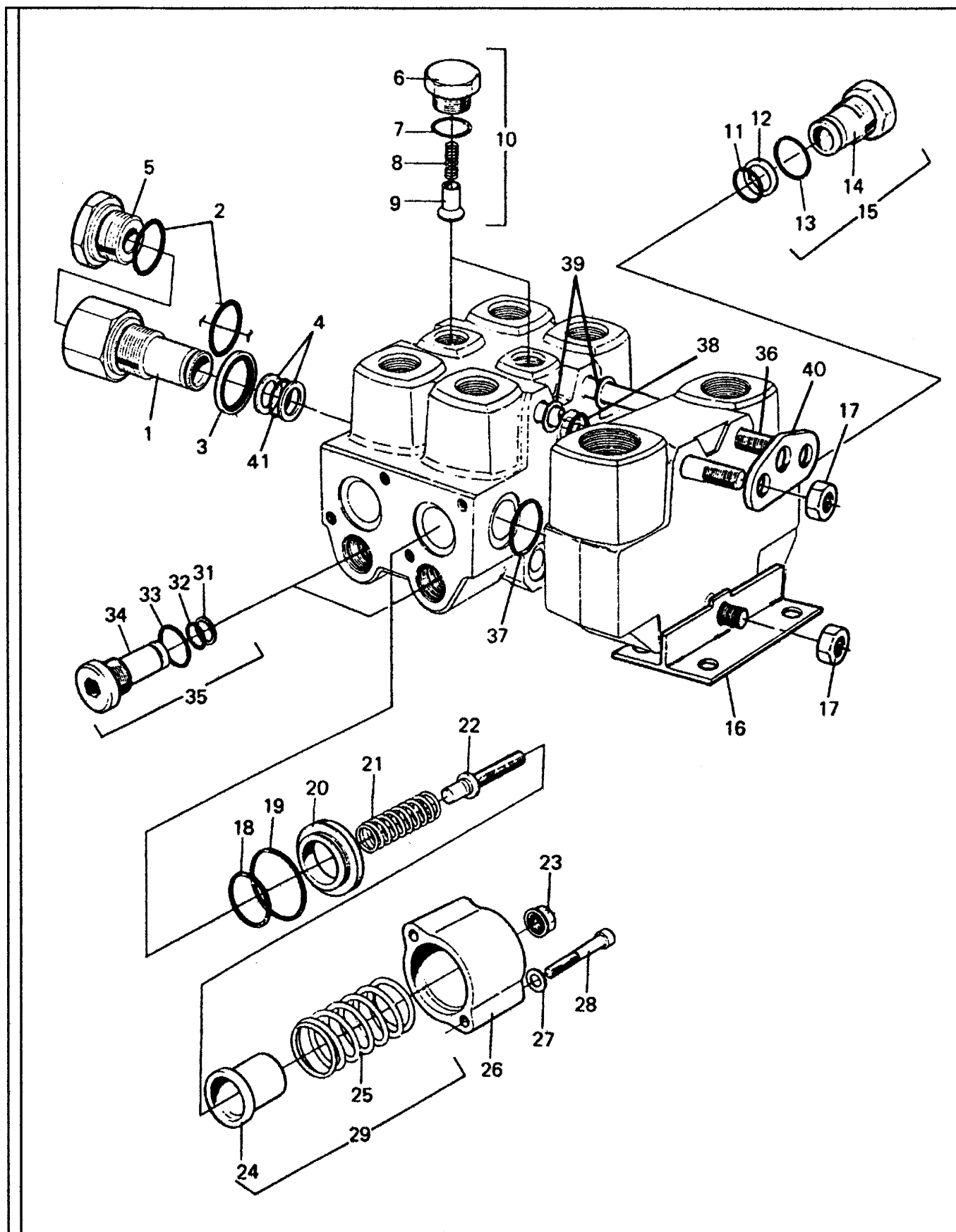


VR-90B

I.21.10

**HYDRAULIC KIT - NON-CBC (58973884) - INTERNAL BREAKDOWN - SHEET 4 OF 7**  
**Prior to S/N 5340**

**	58905191	Manifold	-	
1	59379917	-N.C. Diverter Valve	1	100 NM
2	58912288	-Check Valve	1	50 NM
3	58912296	-Reducing Valve	2	60 NM
4	58912304	-Check Valve (Poppet)	1	50 NM
5	58912312	-Relief Valve	1	50 NM
6	58912320	-Load Sensing Valve	1	50 NM
7	N.S.S.	-Shuttle	1	
**	58912338	Seal Kit	1	



VR-90B

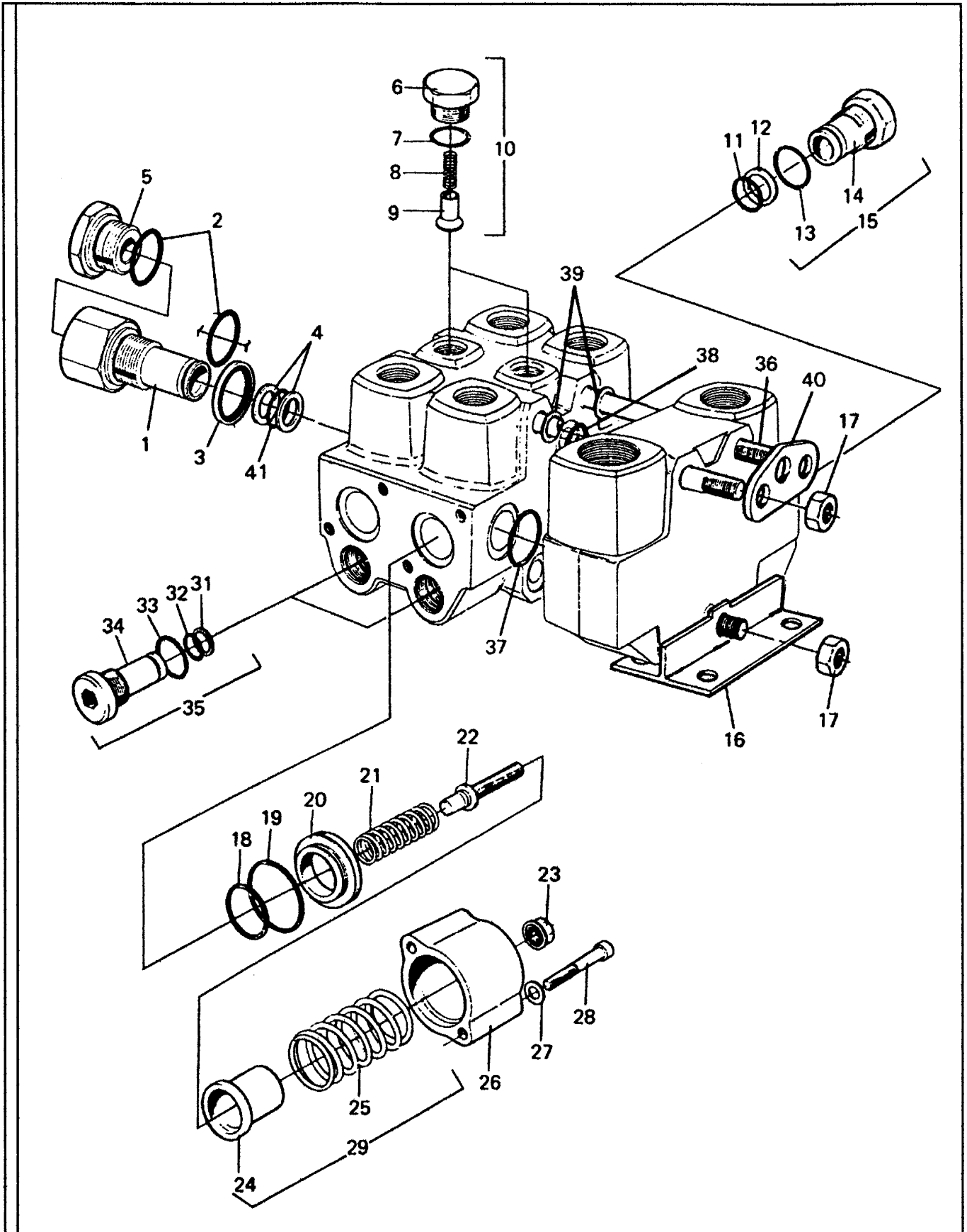


HYDRAULIC KIT - NON-CBC (58973884) - INTERNAL BREAKDOWN - SHEET 5 OF 7

ITEM	COMM. NO.	DESCRIPTION	QTY	DIMENSIONS/NOTES
		58973884		
-	58905167	CROWD AND BOOM CONTROL VALVE (Includes items 1 thru 35)	2	
1	58912486	Inlet Plug	1	
2	58912494	O-Ring	1	
3	58912536	Backup Ring	1	
4	58912502	O-Ring	2	
5	58912528	Reducing Plug	1	
6	58912700	Plug	2	
7	58912692	O-Ring	2	
8	58912718	Spring	2	
9	58912726	Poppet	2	
10	58886599	Check Valve (Includes items 6 thru 9)	2	
11	58912544	O-Ring	1	
12	58912551	O-Ring	1	
13	58912569	O-Ring	1	
14	58912557	Plug	1	
15	58886615	Y-Plug (Includes items 11 thru 14)	1	
16	58905290	Mounting Plate	1	
17	58912783	Nut	2	
18	58912585	O-Ring	4	
19	58912593	O-Ring	4	
20	58912601	Support Ring	4	
21	58912668	Spring	4	
22	58912619	Adjusting Screw	4	
23	58912635	Nut	4	
24	58912676	Casing	4	
25	58912684	Spring	4	
26	58912627	Cap	4	
27	58912643	Washer	4	
28	58912650	Screw	4	
29	58886649	Spring Kit (Includes items 21, 24, and 25)	4	
30	58886656	Cap Kit (Includes items 18 thru 20, 22, 23, and 26 thru 28)	4	
31	58912759	Backup Ring	4	
32	58912767	O-Ring	4	
33	58912775	O-Ring	4	
34	58912742	Plug	4	
35	58912734	Plug Assembly (Includes items 31 thru 34)	4	

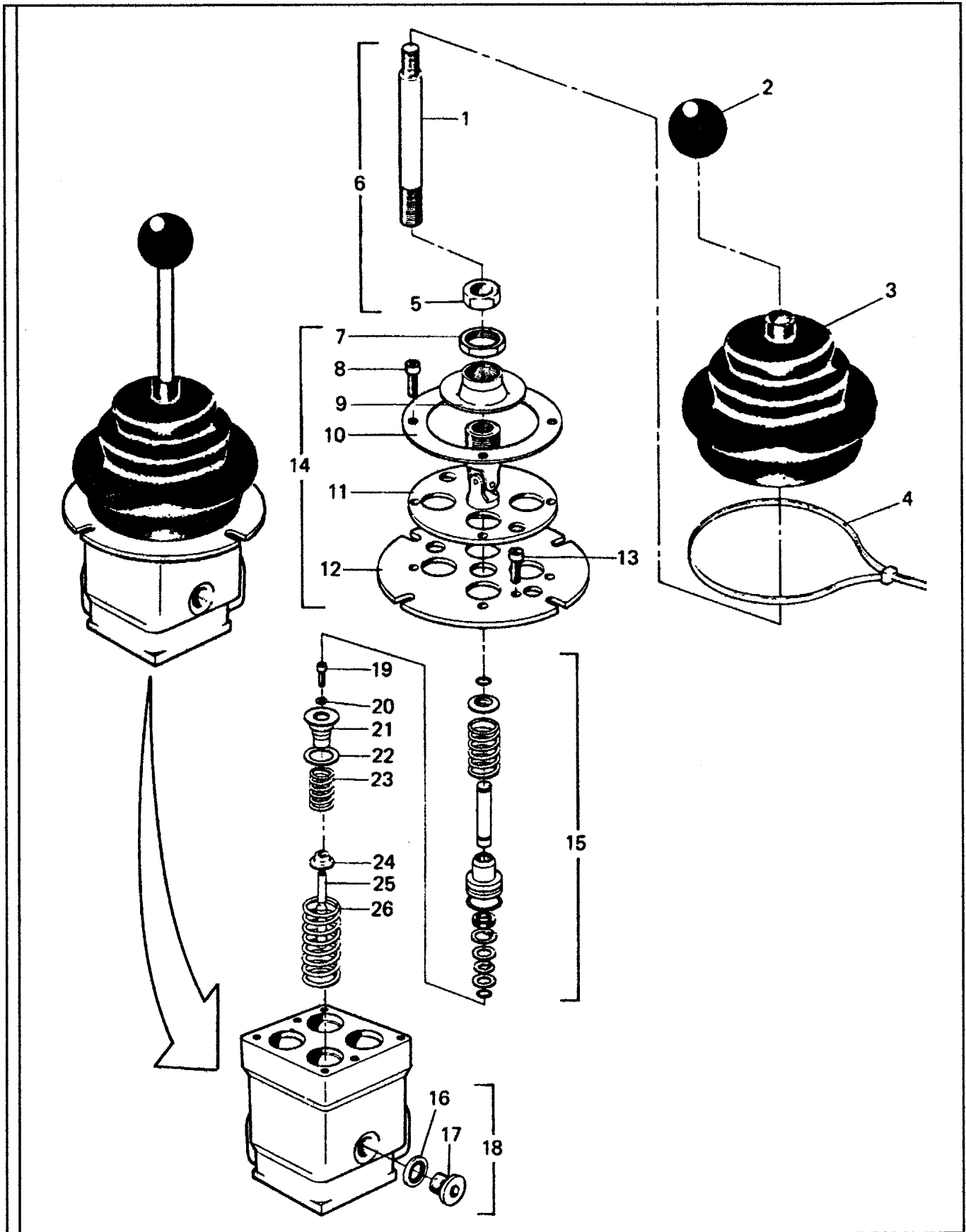
VR-90B

I.21.13



HYDRAULIC KIT - NON-CBC (58973884) - INTERNAL BREAKDOWN - SHEET5 OF 7

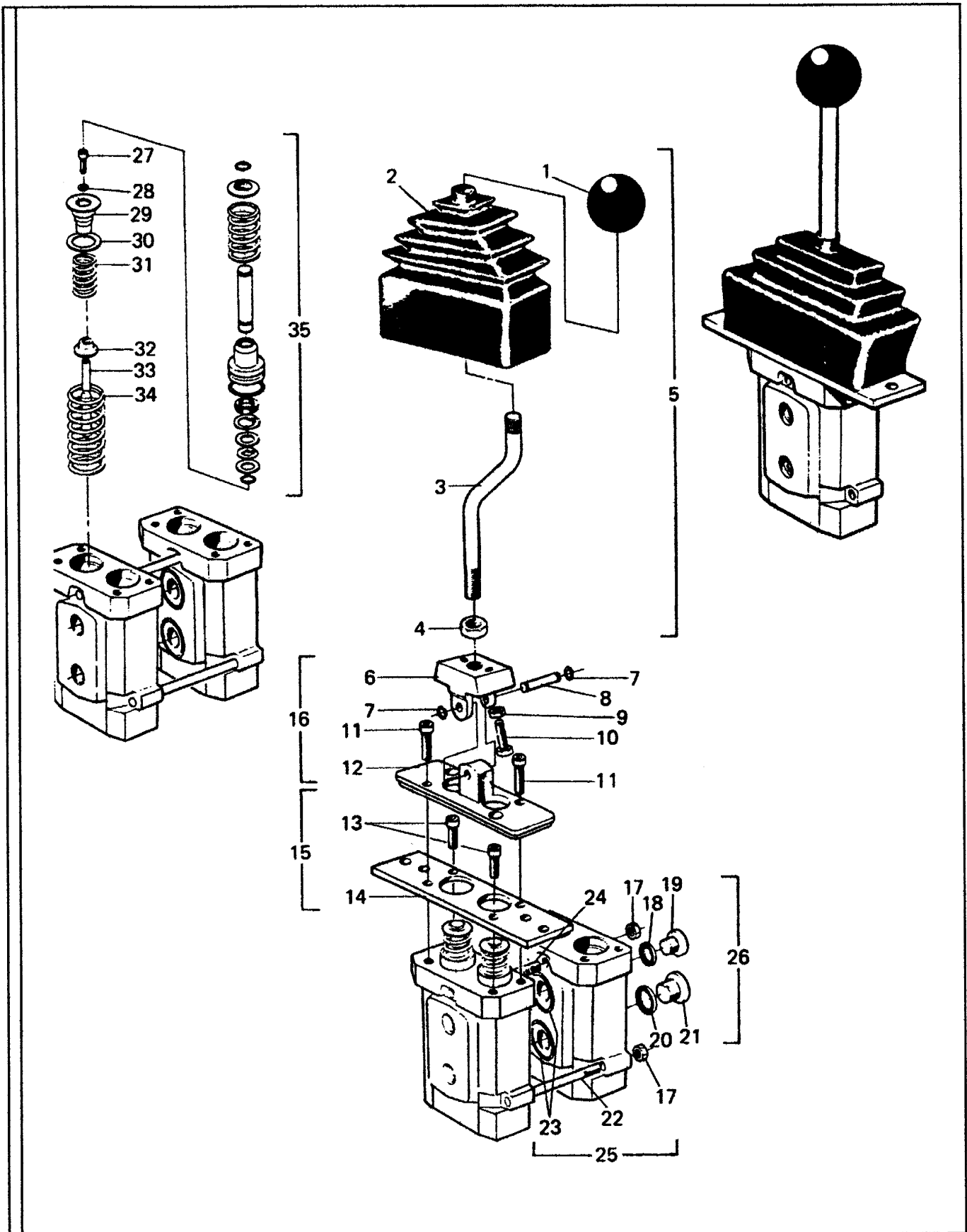
ITEM	COMM. NO.	DESCRIPTION	QTY	DIMENSIONS/NOTES
		58973884		
36	58905241	Tie Rod	3	
37	58912817	O-Ring	2	
38	58912809	O-Ring	1	
39	58912791	Spacer Ring	2	
40	58905308	Lifting Lug	1	
41	58912510	O-Ring	1	
-	58912825	Seal Kit (Includes Items 37,38 and 39)	1	



VR-90B

HYDRAULIC KIT - NON-CBC (58973884) - INTERNAL BREAKDOWN - SHEET 6 OF 7

ITEM	COMM. NO.	DESCRIPTION	QTY	DIMENSIONS/NOTES
		58973884		
-	58887084	JOYSTICK TYPE CONTROLLER (Includes items 1 thru 26)	1	
1	N.S.S.	Control Rod	1	
2	N.S.S.	Ball	1	
3	N.S.S.	Bellows	1	
4	N.S.S.	Clamping Ring	1	
5	N.S.S.	Nut	1	
6	58886664	Hand Lever w/Threaded Ball (Includes items 1 thru 5)	1	
7	N.S.S.	Nut	1	
8	N.S.S.	Screw	4	
9	N.S.S.	Pressure Plate	1	
10	N.S.S.	Plate	1	
11	N.S.S.	Plate	1	
12	58887084	Plate	1	
13	N.S.S.	Screw	2	
14	58886672	Mounting Plate Assembly (Includes items 7 thru 13)	1	
15	58886839	Pressure Pin Set	4	
16	N.S.S.	O-Ring	2	
17	N.S.S.	Plug	2	
18	58886680	Plug Kit (Includes items 16 and 17)	1	
19	58886730	Screw	1	
20	58886722	Washer	1	
21	N.S.S.	Guide	1	
22	58886714	Spacer Ring	1	
23	58886706	Spring	1	
24	N.S.S.	Guide	1	
25	N.S.S.	Pin	1	
26	58886698	Return Spring	1	

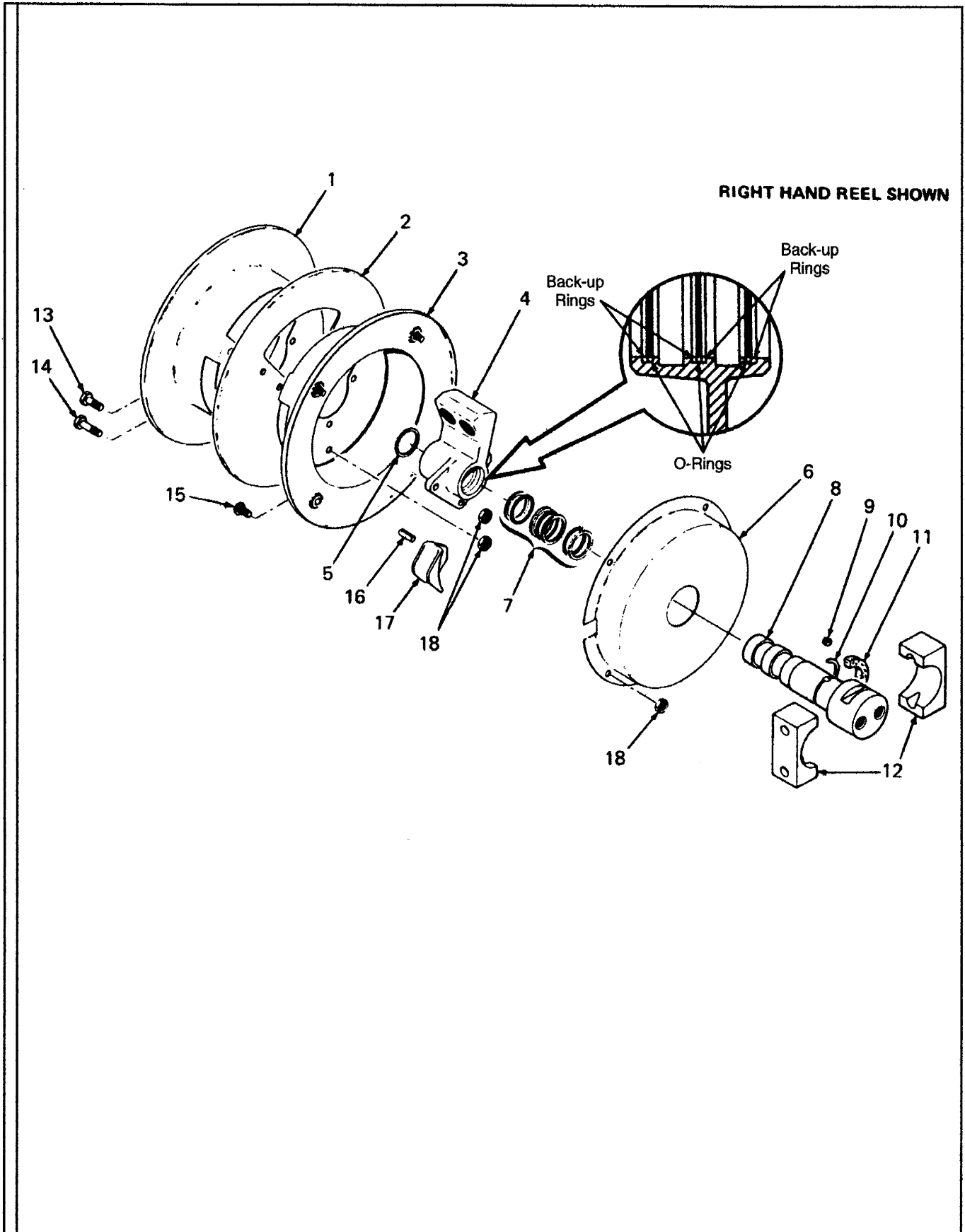


VR-90B

HYDRAULIC KIT - NON-CBC (58973884) - INTERNAL BREAKDOWN - SHEET 7 OF 7

ITEM	COMM. NO.	DESCRIPTION	QTY	DIMENSIONS/NOTES
		58973884		
-	58887092	LINEAR TYPE CONTROLLER (Includes items 1 thru 35)	2	
1	58886870	Ball	1	
2	58886862	Bellows	1	
3	N.S.S.	Control Rod	1	
4	58886854	Nut	1	
5	58886888	Hand Lever Assembly (Includes items 1 thru 4)	1	
6	N.S.S.	Cap	1	
7	N.S.S.	Lock Ring	2	
8	N.S.S.	Shaft	1	
9	N.S.S.	Nut	2	
10	N.S.S.	Adjusting Screw	2	
11	N.S.S.	Screw	2	
12	N.S.S.	Pressure Plate	1	
13	N.S.S.	Screw	2	
14	N.S.S.	Mounting Plate	1	
15	58886904	Mounting Plate Assembly (Includes items 13 and 14)	1	
16	58886896	Pressure Plate Assembly (Includes items 6 thru 12)	1	
17	58886912	Nut	6	
18	58886938	O-Ring	1	
19	58886946	Plug	1	
20	58886953	O-Ring	1	
21	58886961	Plug	1	
22	N.S.S.	Tie Rod	2	
23	58886920	O-Ring	2	
24	N.S.S.	Tie Rod	1	
25	58886979	Tie Rod Kit (Includes items 17 and 22 thru 24)	1	
26	58886987	Plug Kit (Includes items 18 thru 21)	1	
27	58887035	Screw	1	
28	58887027	Washer	1	
29	N.S.S.	Guide	1	
30	58887019	Spacer Ring	1	
31	58887001	Spring	1	
32	N.S.S.	Guide	1	
33	N.S.S.	Pin	1	
34	58886995	Return Spring	1	
35	58887043	Pressure Pin Set	1	

# HOSE REEL (59456616) - INTERNAL BREAKDOWN

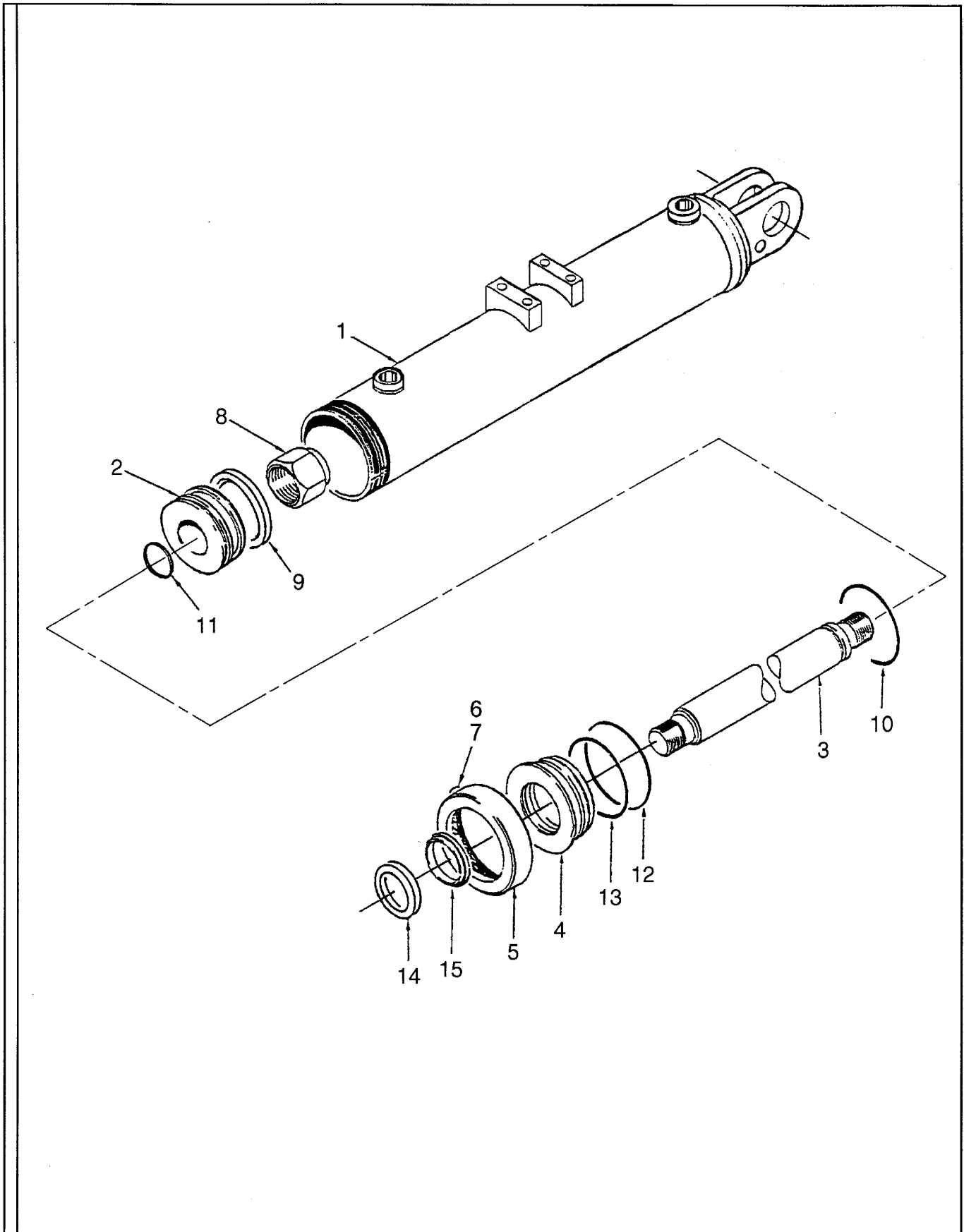




HOSE REEL (59456616) - INTERNAL BREAKDOWN

ITEM	COMM. NO.	DESCRIPTION	QTY	DIMENSIONS/NOTES
		BOM 59460261		
1	58875758	Outboard Flange	1	
2	58875766	Divider	1	
3	58875774	Inboard Flange	1	
4	58875782	Hub	1	
5	58875790	Snap Ring	1	
6	58875808	Spring Assembly	1	
7	58881871	Shaft Seal Kit	1	
8	58875816	Shaft	1	
9	58875824	Spring Retained	1	
10	58875832	Snap Ring	1	
11	58875840	Felt Seal	1	
12	58875857	Mounting Block	2	
13	58875865	H.H.C.S.	3	1/4 - 20 x 0.625
14	58875873	H.H.C.S.	3	1/4 - 20 x 1.0
15	58875881	H.H.C.S.	4	
16	58875899	Roll Pin	1	
17	58875907	Hose Guide	2	
18	58875915	Nut	10	1/4 - 20

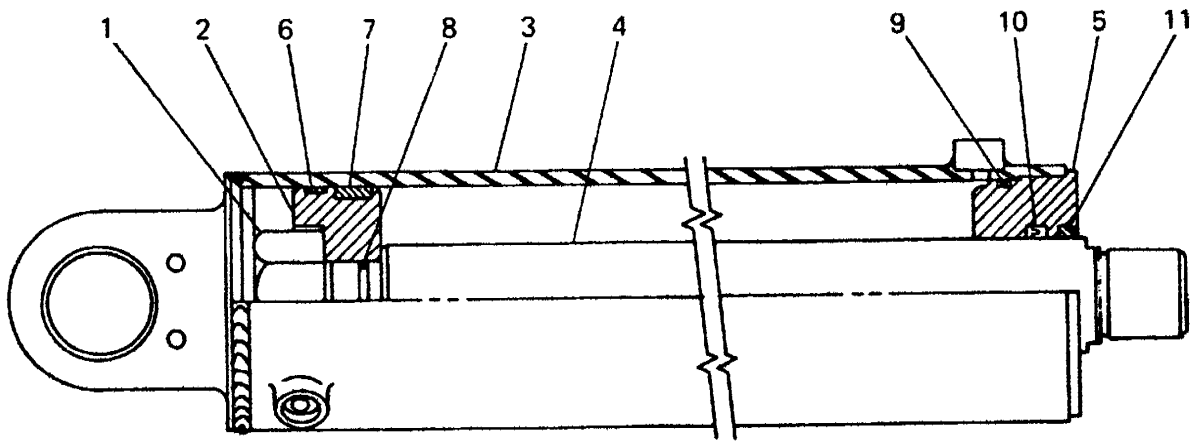
# OUTRIGGER CYLINDER (59450114) - INTERNAL BREAKDOWN



OUTRIGGER CYLINDER (59450114) - INTERNAL BREAKDOWN

ITEM	COMM. NO.	DESCRIPTION	QTY	DIMENSIONS/NOTES
		BOM 59450114		
1	N.S.S.	Barrel	1	
2	59477042	Piston	1	
3	59477059	Rod	1	
4	59477067	Gland	1	
5	59477075	Collar	1	
6	59477018	Set Screw	1	
7	59477026	Nylon Insert	1	
8	N.S.S.	Lock Nut	1	
9	N.S.S.	Wear Ring	1	
10	N.S.S.	Piston Seal	1	
11	N.S.S.	O-ring	1	
12	N.S.S.	O-ring	1	
13	N.S.S.	Backup	1	
14	N.S.S.	Rod Seal	1	
15	N.S.S.	Rod Wiper	1	
**	59477034	Seal Kit (Includes items 8 thru 15)	1	

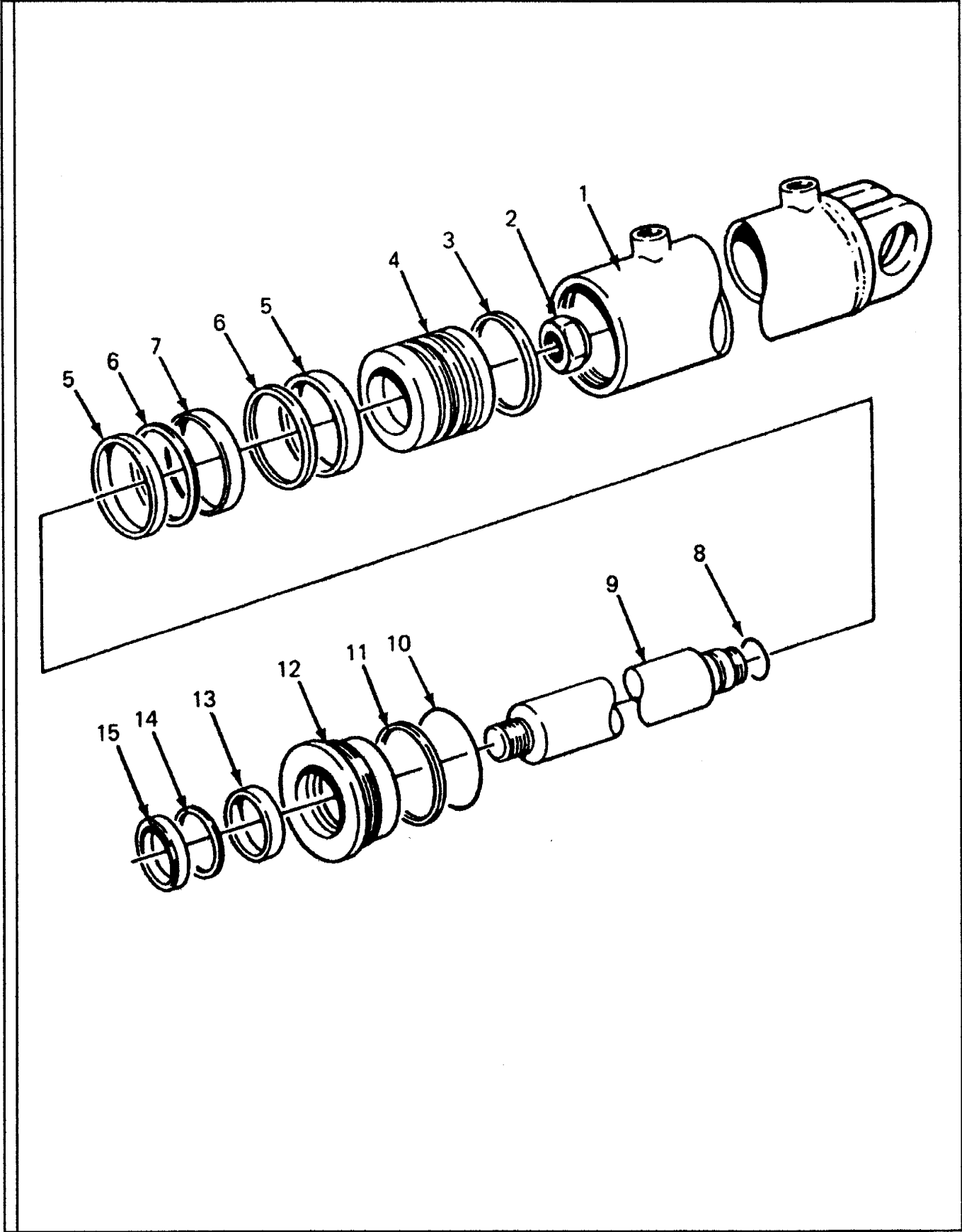
TILT CYLINDER (59474601) - INTERNAL BREAKDOWN



TILT CYLINDER (59474601) - INTERNAL BREAKDOWN

ITEM	COMM. NO.	DESCRIPTION	QTY	DIMENSIONS/NOTES
		BOM 59474601		
1	58766007	Lock Nut	1	
2	58765991	Piston	1	
3	58889049	Barrel Assembly	1	
4	59487710	Rod	1	
5	59498196	Gland	1	
6	58875444	Wear Ring	1	
7	58875451	Piston Seal Assembly	1	
8	58875469	O-Ring	1	
9	58875477	O-Ring	1	
10	58875485	Rod Seal	1	
11	58875493	Wiper	1	
-	58754029	Seal Kit (Includes items 6-11)	1	

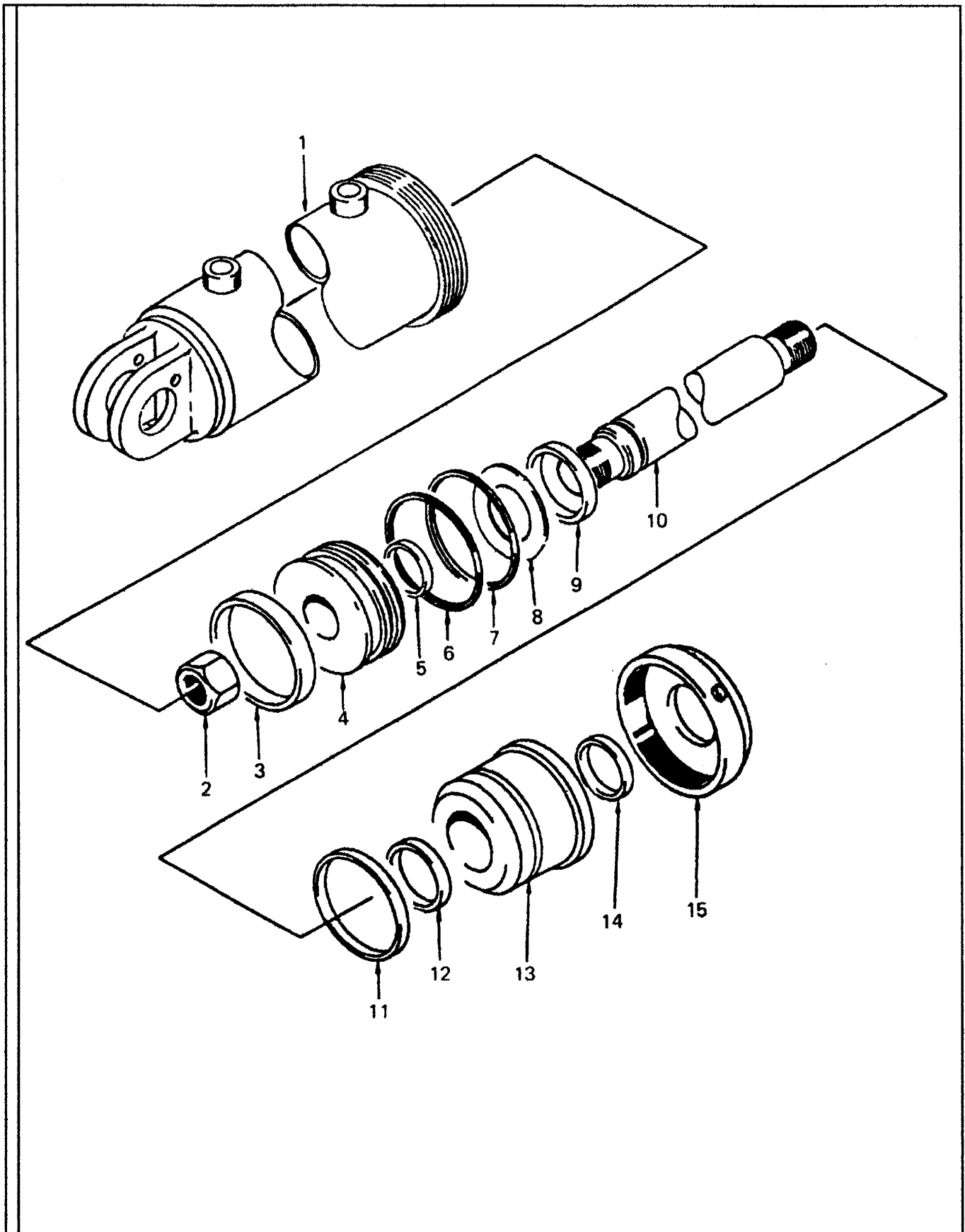
BOOM CYLINDER (59450577) - INTERNAL BREAKDOWN



**BOOM CYLINDER (59450577) - INTERNAL BREAKDOWN**

<b>ITEM</b>	<b>COMM. NO.</b>	<b>DESCRIPTION</b>	<b>QTY</b>	<b>DIMENSIONS/NOTES</b>
		<small>BOM 59450577</small>		
1	N.S.S.	Barrel Assembly	1	
2	59480566	Nut	1	
3	59480558	Piston Ring	2	
4	59480541	Piston	1	
5	N.S.S.	Seal Kit	2	
6	N.S.S.	Nylon Ring	2	
7	N.S.S.	Bearing	1	
8	N.S.S.	O-Ring	1	
9	59480533	Rod	1	
10	N.S.S.	Ring	1	
11	N.S.S.	Backup Ring	1	
12	59480574	Retainer	1	
13	N.S.S.	Seal	1	
14	N.S.S.	Nylon Ring	1	
15	N.S.S.	Wiper Ring	1	
-	59480582	Seal Kit (Includes items 5-8, 10-11, and 13-15)	1	

# COMPENSATING CYLINDER (59450049) - INTERNAL BREAKDOWN

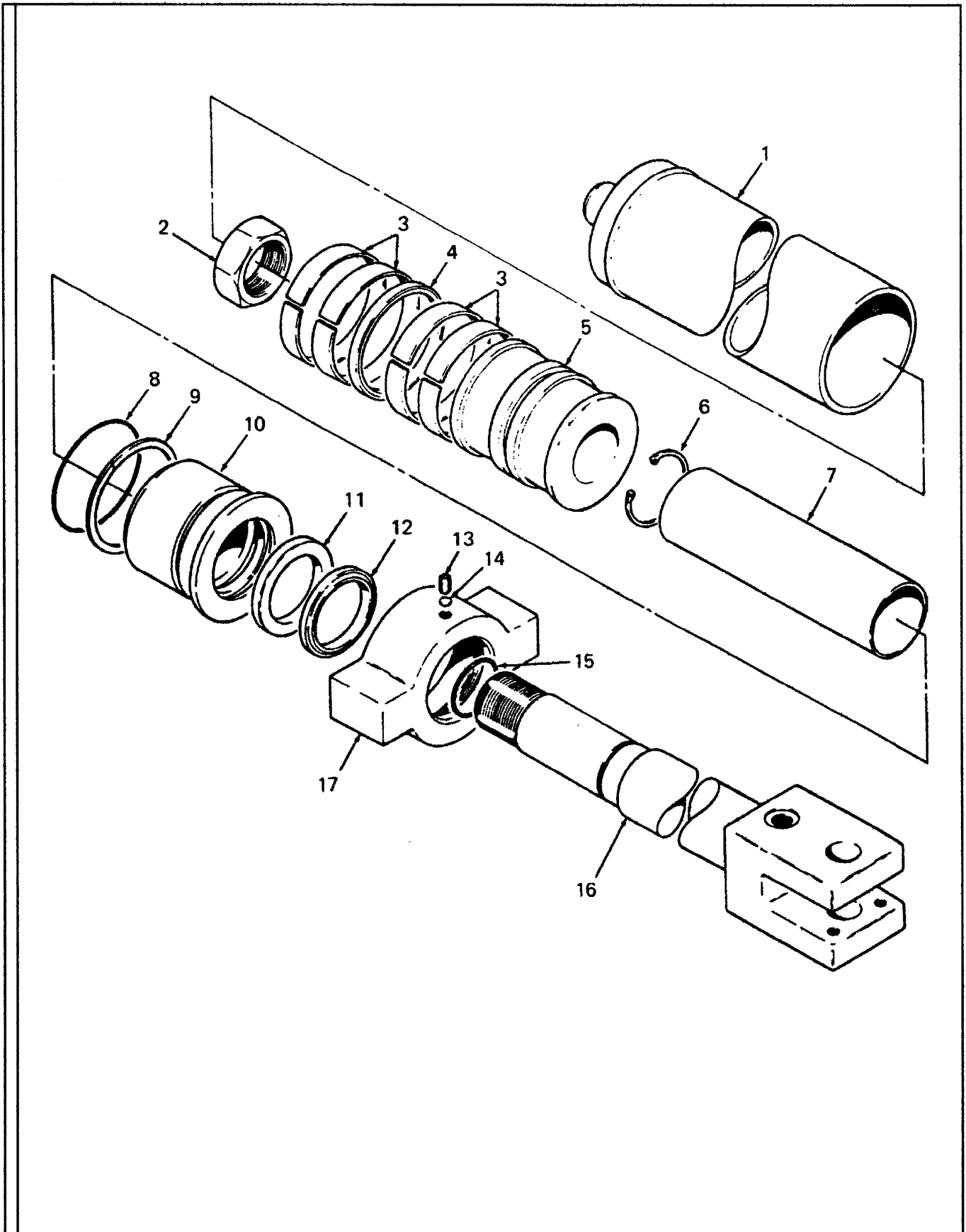




**COMPENSATING CYLINDER (59450049) - INTERNAL BREAKDOWN**

<b>ITEM</b>	<b>COMM. NO.</b>	<b>DESCRIPTION</b>	<b>QTY</b>	<b>DIMENSIONS/NOTES</b>
		<small>BOM 59450049</small>		
1	N.S.S.	Barrel Assembly	1	
2	59476952	Self-Locking Lock Nut	1	
3	N.S.S.	Wear Ring	1	
4	58754003	Piston	1	
5	N.S.S.	Rod Static Seal	1	
6	N.S.S.	Piston Seal	1	
7	N.S.S.	O-Ring	1	
8	58754011	Washer	1	
9	59496216	Piston Seal	1	
10	59490904	Rod	1	
11	N.S.S.	Gland Static Seal	1	
12	N.S.S.	Rod Seal	1	
13	59496695	Gland	1	
14	N.S.S.	Rod Wiper	1	
15	59477000	Collar	1	
-	59439158	Seal Kit (Includes items 3, 5-7, 11-12, and 14)	1	

CROWD CYLINDER (59450056) - INTERNAL BREAKDOWN



VR-90B

**CROWD CYLINDER (59450056) - INTERNAL BREAKDOWN**

<b>ITEM</b>	<b>COMM. NO.</b>	<b>DESCRIPTION</b>	<b>QTY</b>	<b>DIMENSIONS/NOTES</b>
		<small>BOM 59450056</small>		
1	N.S.S.	Barrel Assembly	1	
2	58754060	Jam Nut	1	
3	N.S.S.	Wear Ring	4	
4	N.S.S.	Seal Assembly	1	
5	58754078	Piston	1	
6	58754086	Snap Ring	1	
7	58754094	Spacer	1	
8	N.S.S.	O-Ring	1	
9	N.S.S.	Backup Ring	1	
10	58753229	Gland	1	
11	N.S.S.	Rod Seal	1	
12	N.S.S.	Wiper	1	
13	59477018	Set Screw	1	
14	59477026	Nylon Insert	1	
15	N.S.S.	O-Ring	1	
16	58753211	Rod Assembly	1	
17	58753237	Trunnion	1	
-	58753278	Seal Kit (Includes items 3-4, 8-9, 11-12, and 15)	1	

# MANUALS

*\*\*Always use Ingersoll-Rand Replacement parts!\*\**

## MANUALS

ITEM	COMM. NO.	DESCRIPTION	QTY	DIMENSIONS/NOTES
		<small>BOM 58904509</small>		
1	59067801	Operator's/Maintainence Manual	1	
2	59131508	Parts Manual	1	
3	59985069	Field Saftey Manual	1	
4	59483024	Perkins T4.40 Engine Operation Manual	1	
5	59131516	Parts Microfiche	1	



**NUMERICAL INDEX**

COMM. NO.	PAGE NO.	COMM. NO.	PAGE NO.	COMM. NO.	PAGE NO.	COMM. NO.	PAGE NO.
		50754993	I.15.37	50757087	I.15.39	50958271	I.13.15
00196162	B.1.3	50755024	I.13.3	50801257	I.13.5		I.15.15
	B.2.3		I.15.3		I.15.5	50958289	I.13.15
00267468	E.3.3	50755032	I.15.27	50806496	I.1.3		I.15.15
12977021	H.1.7	50755065	I.13.17		I.3.3	50958297	I.13.15
	H.2.7		I.15.17	50847425	I.13.3		I.15.15
13024757	G.4.3	50755107	I.15.19		I.15.3	50958305	I.13.13
13024765	G.4.3	50755230	I.15.27	50847490	I.13.11		I.13.15
13090816	I.19.3	50755354	I.15.17		I.15.11		I.15.13
13090832	I.19.5	50755420	I.15.19	50847599	I.15.27		I.15.15
13090857	I.19.5	50755446	I.13.17	50847631	I.15.37	50958313	I.13.15
13090865	I.19.7		I.15.17	50847706	I.15.37		I.15.15
35304286	H.1.7	50755974	I.15.37	50848373	I.13.5	50958321	I.13.13
	H.2.7	50755982	I.15.39		I.15.5		I.13.15
35318252	I.9.3	50756055	I.13.5	50848407	I.15.27		I.15.13
50266287	A.7.3		I.15.5	50848431	I.13.17		I.15.15
50268242	G.1.9	50756105	I.15.37		I.15.17	50958339	I.13.15
50274299	B.4.3	50756113	I.15.37	50916857	I.1.3		I.15.15
	B.10.3	50756253	I.15.37		I.3.3	50958362	I.13.7
	B.11.3	50756337	I.13.3	50931971	B.5.3		I.15.7
50280403	I.1.3		I.15.3		B.6.3	50958388	I.13.7
	I.3.3	50756345	I.13.7	50938935	I.9.3		I.15.7
50753920	I.13.3		I.13.11	50938943	I.9.3		I.15.19
	I.15.3		I.15.7	50938950	I.9.3	50959519	I.13.7
50753953	I.15.37		I.15.11	50938968	I.9.3		I.15.7
50753961	I.15.5		I.15.25	50938976	I.9.3		I.15.27
50753987	I.15.3		I.15.37	50958198	I.15.35	50959527	I.13.7
50754696	I.15.37	50756352	I.15.19	50958214	I.15.35		I.15.7
	I.15.39		I.15.35	50958255	I.13.13	50959550	I.13.7
50754753	I.13.3	50756360	I.15.13		I.13.15		I.15.7
50754829	I.15.39	50756378	I.15.27		I.15.13	50959568	I.13.7
50754878	I.13.3	50756451	I.15.19		I.15.15		I.15.7
	I.13.5		I.15.35	50958263	I.13.13	50959592	I.13.7
	I.15.3	50756493	I.15.37		I.13.15		I.15.7
	I.15.5	50756998	I.15.37		I.15.13	50959600	I.13.7
50754977	I.15.3	50757079	I.15.39		I.15.15		I.15.7

**NUMERICAL INDEX**

COMM. NO.	PAGE NO.	COMM. NO.	PAGE NO.	COMM. NO.	PAGE NO.	COMM. NO.	PAGE NO.
50959675	I.13.11	50960251	I.15.17		I.15.25	51009405	I.15.37
	I.15.11		I.15.19	50960723	I.15.17	51037240	I.15.27
50959683	I.13.11		I.15.25		I.15.19	51050532	I.19.3
	I.15.11	50960269	I.13.17		I.15.21		I.20.3
50959691	I.13.11		I.15.17		I.15.25	51052389	E.3.3
	I.15.11	50960277	I.13.17	50960731	I.15.19	51055465	I.19.7
50959717	I.13.11		I.15.17	50960749	I.15.17	56919004	F.3.5
	I.15.11		I.15.19		I.15.21	57282063	E.3.3
50959774	I.13.11	50960327	I.15.21		I.15.25	58753211	I.27.3
	I.15.11	50960335	I.15.19	50960756	I.15.17	58753229	I.27.3
50959782	I.13.11		I.15.27		I.15.21	58753237	I.27.3
	I.15.11	50960343	I.15.19	50960772	I.15.17	58753245	G.1.3
50959790	I.13.11	50960350	I.15.19		I.15.25	58753252	G.1.3
	I.15.11	50960376	I.15.17	51008928	I.15.19	58753260	G.1.3
50959824	I.13.11		I.15.19	51008969	I.13.7	58753278	I.27.3
	I.15.11		I.15.25		I.15.7	58753294	B.1.3
50959873	I.13.13	50960475	I.15.21	51009009	I.15.35		B.2.3
	I.15.13	50960517	I.15.19	51009017	I.15.35	58753757	B.5.3
50959931	I.15.5		I.15.25	51009041	I.15.23		B.6.3
50959949	I.13.3	50960665	I.15.17	51009108	I.13.3	58753831	B.1.3
	I.15.3		I.15.19		I.15.3		B.2.3
50959964	I.13.3		I.15.21	51009116	I.13.3	58753849	F.1.11
	I.15.3		I.15.25		I.15.3	58753898	B.1.3
50960186	I.13.17	50960673	I.15.17	51009132	I.13.3		B.2.3
	I.15.17		I.15.19		I.13.5	58753971	I.12.3
50960194	I.13.17		I.15.21		I.15.3	58753989	I.12.3
	I.15.17		I.15.25		I.15.5	58753997	I.12.3
50960210	I.13.17	50960681	I.15.19	51009157	I.13.3	58754003	I.26.3
	I.15.17	50960699	I.15.17		I.15.3	58754011	I.26.3
	I.15.21		I.15.19	51009165	I.13.3	58754078	I.27.3
50960236	I.13.17		I.15.21		I.15.3	58754086	I.27.3
	I.15.17		I.15.25	51009181	I.13.3	58754094	I.27.3
	I.15.21	50960707	I.15.19		I.15.3	58762600	B.1.3
50960244	I.15.17	50960715	I.15.17	51009207	I.15.25		B.2.3
	I.15.19		I.15.19	51009231	I.15.27		E.1.7
	I.15.25		I.15.21	51009256	I.15.27	58762618	B.1.3



## NUMERICAL INDEX

COMM. NO.	PAGE NO.	COMM. NO.	PAGE NO.	COMM. NO.	PAGE NO.	COMM. NO.	PAGE NO.
	B.2.3		I.11.5	58800608	C.2.3		I.11.11
	E.1.7	58785858	C.2.7		I.11.3	58800855	I.11.11
58762626	B.1.3		I.11.7	58800616	C.2.5	58801309	C.2.5
	B.2.3	58785866	C.2.3		I.11.5		I.11.5
	E.1.7		I.11.3	58800624	C.2.3	58801416	C.2.3
58766023	C.2.5	58785874	C.2.3		C.2.5		I.11.3
	I.11.5		I.11.3		I.11.3	58801424	C.2.3
58767997	C.2.7	58785882	C.2.5		I.11.5		I.11.3
	I.11.7		I.11.5	58800632	C.2.5	58801432	C.2.3
58770165	F.1.3	58787078	F.2.5		I.11.5		I.11.3
	F.2.5	58788894	E.2.3	58800640	C.2.3	58801440	C.2.3
58773763	C.2.9	58791476	B.1.3		I.11.3		I.11.3
	I.11.9		B.2.3	58800657	C.2.5	58801457	C.2.3
58774225	C.2.7	58792136	I.11.13		I.11.5		I.11.3
	I.11.7	58793183	G.1.7	58800665	C.2.5	58801465	C.2.3
58774233	C.2.7	58793191	G.1.5		I.11.5		I.11.3
	I.11.7	58793209	G.1.5	58800673	C.2.5	58801473	C.2.3
58774241	C.2.7	58793316	B.2.3		I.11.5		I.11.3
	I.11.7	58793340	G.3.3	58800681	C.2.7	58801481	C.2.3
58778796	H.2.5	58793399	G.3.3		I.11.7		I.11.3
58782327	H.2.3	58800509	C.2.5	58800699	C.2.7	58801499	C.2.3
	H.2.5		I.11.5		I.11.7		I.11.3
58782392	H.1.7	58800517	C.2.5	58800707	C.2.7	58801507	C.2.3
	H.2.7		I.11.5		I.11.7		I.11.3
58783294	E.1.7	58800525	C.2.5	58800749	C.2.7	58801515	C.2.3
58784539	C.2.7		I.11.5		I.11.7		I.11.3
	I.11.7	58800533	C.2.5	58800764	C.2.9	58801523	C.2.3
58784562	C.2.7		I.11.5		I.11.9		I.11.3
	I.11.7	58800541	C.2.5	58800772	C.2.9	58801531	C.2.3
58784570	C.2.7		I.11.5		I.11.9		I.11.3
	I.11.7	58800566	C.2.5	58800780	C.2.9	58801549	C.2.3
58784588	C.2.7		I.11.5		I.11.9		I.11.3
	I.11.7	58800574	C.2.5	58800806	I.11.9	58801556	C.2.3
58785833	C.2.7		I.11.5	58800814	C.2.11		I.11.3
	I.11.7	58800582	C.2.5		I.11.11	58801564	C.2.3
58785841	C.2.5		I.11.5	58800822	C.2.11		I.11.3

## NUMERICAL INDEX

COMM. NO.	PAGE NO.	COMM. NO.	PAGE NO.	COMM. NO.	PAGE NO.	COMM. NO.	PAGE NO.
58801572	C.2.3	58817990	H.1.5	58827346	A.1.3	58828898	I.20.5
	I.11.3		H.2.5	58827361	A.1.3	58841214	G.5.3
58801580	C.2.3	58818782	I.19.3	58827379	A.1.3	58841248	H.1.5
	I.11.3		I.20.3	58827387	A.1.3		H.1.7
58801598	C.2.3	58818790	I.19.3	58827478	A.3.3		H.2.5
	I.11.3		I.20.3	58827544	F.1.5		H.2.7
58801606	C.2.3	58818816	I.20.3	58827551	F.1.5	58841545	G.1.3
	I.11.3	58818824	I.19.3	58827569	E.1.3	58841586	F.1.11
58801614	C.2.5		I.20.3		E.1.5	58842261	G.2.3
	I.11.5	58818931	I.19.5	58827577	E.1.3	58846890	E.1.5
58801622	C.2.5		I.20.3	58827593	A.1.3		E.1.7
	I.11.5	58818949	I.19.5	58827692	F.1.5	58846924	G.2.3
58801630	C.2.5		I.20.3		F.1.9	58846981	G.2.3
	I.11.5	58818964	I.19.7	58827783	A.1.3	58847005	G.2.3
58802885	F.2.13		I.20.3	58827817	F.1.3	58850280	H.1.5
58808221	A.8.3	58818972	I.19.7	58827965	H.1.5		H.1.7
	A.12.3		I.20.3	58827973	A.1.3		H.2.5
	E.5.3	58818980	I.20.3		A.2.3		H.2.7
58808239	A.8.3	58819335	I.20.3		D.3.3	58850298	G.1.5
	A.12.3	58819376	I.20.3		D.4.3	58850348	H.1.3
	E.5.3	58819384	I.19.5	58828773	I.20.3		H.2.3
58808254	E.5.3		I.20.3	58828781	I.20.3	58850488	G.2.3
58811332	A.7.5	58819392	I.20.3	58828799	I.19.3	58850496	G.1.7
58811761	H.2.5	58819400	I.20.3		I.20.3	58850629	H.1.3
58811969	A.7.3	58819418	I.20.3	58828807	I.19.3		H.2.3
58811977	A.7.3	58819426	I.19.5		I.20.3	58850637	A.5.3
58811985	A.7.3		I.20.3	58828815	I.19.3	58850801	H.1.5
58812108	H.1.7	58819434	I.20.3		I.20.3		H.1.7
	H.2.7	58819574	I.19.7	58828823	I.20.3		H.2.5
58812116	H.1.7	58825464	D.7.3	58828849	I.19.3		H.2.7
	H.2.7	58826769	G.1.3		I.20.5	58850918	F.1.7
58812173	H.1.5	58827155	H.1.5	58828856	I.19.3	58850975	H.1.3
	H.2.5		H.2.5		I.20.5		H.2.3
58815853	I.19.3	58827304	A.1.3	58828880	I.19.3	58850991	E.1.9
	I.20.5	58827312	A.1.3		I.19.7	58851320	D.3.3
58817610	G.2.3	58827338	A.5.3		I.20.5		D.4.3

## NUMERICAL INDEX

COMM. NO.	PAGE NO.	COMM. NO.	PAGE NO.	COMM. NO.	PAGE NO.	COMM. NO.	PAGE NO.
58851411	F.1.5	58875170	I.4.3	58875832	I.22.3	58882739	G.1.5
	F.2.9	58875188	I.4.3	58875840	I.22.3	58882754	G.4.3
58851437	F.2.7	58875196	B.1.3	58875857	I.22.3	58882770	G.4.3
	F.2.13		B.2.3	58875865	I.22.3	58882788	G.4.3
58851452	F.1.5		E.1.7	58875873	I.22.3	58882804	G.4.3
58851486	F.4.7	58875204	A.7.3	58875881	I.22.3	58882903	F.3.3
58851528	F.2.9	58875212	D.3.3	58875899	I.22.3	58882929	H.1.5
58851544	F.4.7		D.4.3	58875915	I.22.3		H.1.7
58851551	H.1.7		D.5.3	58875923	A.12.3		H.2.5
	H.2.7	58875220	D.3.3		E.5.3		H.2.7
58852096	H.1.3		D.4.3	58875931	A.12.3	58882937	H.1.5
	H.2.3		D.5.3		E.5.3		H.1.7
58852724	D.4.3	58875238	D.5.3	58875949	A.12.3		H.2.5
58852773	I.5.3	58875246	D.5.3		E.5.3		H.2.7
58857095	G.4.3	58875253	D.5.3	58876079	I.19.3	58883232	A.8.3
58866526	I.15.33	58875261	D.3.3		I.20.3	58883612	A.1.3
58866534	I.15.29		D.4.3	58876087	I.19.3	58883703	E.3.3
	I.15.33		D.5.3		I.20.3	58883729	F.5.3
58868878	D.5.3	58875352	B.1.3	58876095	I.19.3	58883745	F.5.3
58874637	D.3.3		B.2.3		I.20.3	58883752	F.3.3
	D.4.3	58875360	B.1.3	58876103	I.19.3	58883778	F.3.3
58874645	D.3.3		B.2.3		I.20.3	58883794	F.3.3
	D.4.3	58875402	E.7.3	58876111	I.19.3	58883802	F.3.3
58874652	D.3.3	58875410	E.7.3		I.20.3	58883935	G.1.7
	D.4.3	58875428	E.7.3	58876129	I.19.3	58884438	E.5.3
58874801	F.1.11	58875436	E.7.3		I.20.5	58884446	A.12.3
58874819	F.1.11	58875501	E.6.3	58876137	I.19.7		E.5.3
58874827	F.1.11	58875519	B.1.3		I.20.3	58884453	B.10.3
58875097	I.8.3		B.2.3	58878976	H.2.3		B.11.3
58875105	I.8.3	58875766	I.22.3		H.2.5	58884610	G.1.5
58875113	I.8.3	58875774	I.22.3	58881871	I.22.3	58884636	G.1.5
58875121	I.8.3	58875782	I.22.3	58882028	G.1.7	58884644	G.1.7
58875139	I.8.3	58875790	I.22.3	58882622	F.2.13	58884651	G.1.5
58875147	I.8.3	58875808	I.22.3	58882630	H.1.5	58885989	I.13.3
58875154	I.8.3	58875816	I.22.3		H.2.5		I.13.5
58875162	I.4.3	58875824	I.22.3	58882648	D.4.3		I.15.3

**NUMERICAL INDEX**

COMM. NO.	PAGE NO.	COMM. NO.	PAGE NO.	COMM. NO.	PAGE NO.	COMM. NO.	PAGE NO.
	I.15.5	58886243	I.15.41	58886706	I.21.17	58899014	H.2.3
58885997	I.13.3	58886250	I.15.41	58886714	I.21.17	58905159	I.21.3
	I.15.3	58886284	I.13.9	58886722	I.21.17	58905175	I.21.3
58886003	I.15.3		I.15.9	58886730	I.21.17	58905191	I.21.3
58886011	I.13.7	58886292	I.13.9	58886839	I.21.17		I.21.11
	I.15.7		I.15.9	58886854	I.21.19	58905241	I.21.15
58886029	I.13.9	58886300	I.15.13	58886862	I.21.19	58905308	I.21.15
	I.15.9		I.15.15	58886870	I.21.19	58905324	I.21.3
58886037	I.13.11	58886318	I.15.13	58886888	I.21.19	58905357	I.21.7
	I.15.11		I.15.15	58886896	I.21.19	58912049	I.16.3
58886045	I.13.11	58886334	I.15.13	58886904	I.21.19	58912056	I.16.3
	I.15.11		I.15.21	58886912	I.21.19	58912064	I.16.3
58886052	I.13.11	58886342	I.15.21	58886920	I.21.19	58912072	I.16.3
	I.15.11	58886359	I.15.37	58886938	I.21.19	58912080	I.16.3
58886060	I.15.13	58886367	I.15.37	58886946	I.21.19	58912098	I.16.3
58886078	I.15.13	58886458	I.21.5	58886953	I.21.19	58912106	I.16.3
58886086	I.13.17	58886466	I.21.5	58886961	I.21.19	58912122	I.16.3
	I.15.17	58886482	I.21.5	58886979	I.21.19	58912148	I.16.3
58886094	I.15.17	58886490	I.21.7	58886987	I.21.19	58912155	I.16.3
	I.15.21	58886508	I.21.7	58886995	I.21.19	58912171	I.21.7
58886102	I.15.19	58886516	I.21.7	58887001	I.21.19	58912189	I.21.7
58886110	I.15.23	58886524	I.21.7	58887019	I.21.19	58912197	I.21.7
58886128	I.15.25	58886540	I.21.7	58887027	I.21.19	58912205	I.21.7
58886136	B.1.3	58886557	I.21.7	58887035	I.21.19	58912213	I.21.7
	B.2.3	58886573	I.21.7	58887043	I.21.19	58912221	I.21.5
	I.15.35	58886581	I.21.13	58887050	I.21.5	58912239	I.21.5
58886144	I.15.37	58886599	I.21.13	58887076	I.21.3	58912262	I.21.7
58886151	I.15.37	58886615	I.21.13		I.21.13	58912288	I.21.9
58886169	I.15.37	58886623	I.21.13	58887084	I.21.3		I.21.11
58886177	I.15.37	58886631	I.21.13		I.21.17	58912296	I.21.9
58886185	I.15.37	58886649	I.21.13	58887092	I.21.3		I.21.11
58886193	I.15.39	58886656	I.21.13		I.21.19	58912304	I.21.9
58886201	I.15.41	58886664	I.21.17	58889007	E.3.3		I.21.11
58886219	I.15.41	58886672	I.21.17	58889015	E.3.3	58912312	I.21.9
58886227	I.15.41	58886680	I.21.17	58889239	E.7.3		I.21.11
58886235	I.15.41	58886698	I.21.17		I.7.3	58912320	I.21.9

## NUMERICAL INDEX

COMM. NO.	PAGE NO.	COMM. NO.	PAGE NO.	COMM. NO.	PAGE NO.	COMM. NO.	PAGE NO.
	I.21.11	58912692	I.21.13	58964487	G.1.3	59013417	I.17.3
58912338	I.21.11	58912700	I.21.13	58964578	G.1.3	59020040	H.1.3
58912346	I.21.7	58912718	I.21.13	58965492	B.1.3	59022038	I.11.9
58912353	I.21.7	58912726	I.21.13		B.2.3	59041806	E.1.5
58912361	I.21.7	58912734	I.21.13		E.1.5	59041921	M.1.3
58912379	I.21.7	58912742	I.21.13	58965526	H.1.3	59044990	D.4.3
58912387	I.21.7	58912759	I.21.13		H.1.5		D.5.3
58912395	I.21.5	58912767	I.21.13	58965559	H.1.3	59045005	D.4.3
58912403	I.21.5	58912775	I.21.13	58965583	H.1.7		D.5.3
58912411	I.21.5	58912791	I.21.15	58965617	H.1.7	59048926	H.1.5
58912429	I.21.5	58912809	I.21.15	58966615	I.2.3	59048934	H.1.3
58912437	I.21.5	58912817	I.21.15	58966763	I.15.29		H.1.5
58912445	I.21.5	58912825	I.21.15	58966771	I.15.29	59048959	H.1.3
58912452	I.21.5	58914805	I.7.3	58969130	I.7.3		H.1.5
58912460	I.21.5	58917550	H.1.7	58972928	E.1.3		H.1.7
58912478	I.21.5		H.2.7		E.1.5	59048967	H.1.3
58912486	I.21.13	58919580	B.1.3		E.1.9		H.1.5
58912494	I.21.13		B.2.3	58974346	F.1.15	59049023	I.2.3
58912502	I.21.13	58922543	F.4.7	58974890	C.2.9	59049031	I.2.3
58912510	I.21.15	58923186	I.15.29		I.11.9	59049049	I.2.3
58912536	I.21.13	58930512	F.2.7	58977166	G.3.3	59049056	I.2.3
58912544	I.21.13		F.2.13	58977174	G.3.3	59049064	I.2.3
58912551	I.21.13	58939968	G.1.5	58996075	I.21.9	59049072	I.2.3
58912557	I.21.13	58944372	I.15.29	58999103	H.1.3	59049080	I.2.3
58912569	I.21.13	58951047	I.2.3	59000562	H.2.5	59049098	I.2.3
58912585	I.21.13	58961210	I.15.29	59000638	H.2.5	59050294	I.13.17
58912593	I.21.13	58961582	E.3.3	59000943	G.5.3		I.15.17
58912601	I.21.13	58961608	H.2.5	59001230	G.5.3	59050302	I.15.17
58912619	I.21.13	58961624	H.1.5	59001263	G.5.3	59050310	I.15.29
58912627	I.21.13		H.2.5	59001321	F.2.5	59050328	I.15.31
58912635	I.21.13	58961707	D.3.3	59001354	A.4.3	59050336	I.15.31
58912643	I.21.13		D.4.3	59001362	A.4.3	59050344	I.15.31
58912650	I.21.13	58963638	H.1.5	59001388	F.1.5	59050351	I.15.31
58912668	I.21.13		H.1.7	59003939	I.21.9	59050369	I.15.31
58912676	I.21.13		H.2.5	59005595	F.3.5	59050377	I.15.31
58912684	I.21.13		H.2.7	59012773	H.1.7	59050385	I.15.31

## NUMERICAL INDEX

COMM. NO.	PAGE NO.	COMM. NO.	PAGE NO.	COMM. NO.	PAGE NO.	COMM. NO.	PAGE NO.
59050393	I.15.31	59051979	I.7.3	59052654	I.17.3	59096495	B.5.3
59050401	I.15.31	59051987	I.7.3	59052662	I.17.3	59096503	A.12.3
59050419	I.15.31	59051995	I.7.3	59068114	E.1.9		E.5.3
59050427	I.15.31	59052001	I.7.3	59076042	A.7.5	59096511	A.12.3
59050435	I.15.31	59052019	I.7.3	59080911	F.3.3	59096529	E.1.3
59050443	I.15.31	59052027	I.7.3	59080929	F.3.3		E.1.5
59050450	I.13.11	59052035	I.7.3	59083071	H.1.5	59096537	E.1.3
	I.15.11	59052043	I.7.3	59083089	H.1.3	59096545	A.12.3
59050492	I.19.3	59052050	I.7.3		H.1.5	59096552	A.12.3
59050500	I.19.3	59052068	I.7.3	59086579	H.1.3	59096669	A.1.3
59050518	I.19.3	59052076	I.7.3		H.1.5	59096677	B.10.3
59050526	I.19.3	59052084	I.7.3	59087205	E.1.3	59096685	G.1.13
59050534	I.19.3	59052092	I.7.3		E.1.7	59096701	G.2.3
59050542	I.19.3	59052100	I.7.3	59087213	E.1.3	59105809	A.4.3
59050559	I.19.5	59052118	I.7.3		E.1.7	59108308	A.12.3
59050567	I.19.5	59052126	I.7.3	59090027	F.2.5	59108522	B.1.3
59050583	I.2.3	59052134	I.7.3	59090035	F.1.3	59109579	B.4.5
59050591	I.2.3	59052142	I.7.3	59090043	F.1.3	59109587	B.4.3
59050856	H.1.3	59052159	I.7.3	59090068	F.1.15	59109603	A.12.3
	H.1.5	59052167	I.7.3	59090076	F.1.15	59110387	C.1.3
59050864	H.1.3	59052175	I.7.3	59090092	F.1.11	59111872	D.1.3
	H.1.5	59052183	I.7.3	59090118	F.1.3	59112003	E.1.9
59050880	H.1.5	59052191	I.7.3	59090142	I.5.3	59113159	B.7.3
59051375	H.1.5	59052209	I.7.3	59090274	D.7.3	59114207	B.9.3
59051409	I.2.3	59052217	I.7.3	59090886	E.1.9	59114215	B.7.3
59051417	I.2.3	59052233	I.7.5	59092239	F.1.3	59117184	H.1.5
59051425	I.2.3	59052241	I.7.5	59093765	D.3.3	59121152	I.13.3
59051771	I.7.3	59052258	I.7.5	59093815	E.1.3	59121160	I.13.5
59051797	I.7.3	59052266	I.7.5		E.1.5	59121178	I.13.11
59051904	I.7.3	59052472	I.7.3		E.1.9	59121186	I.13.19
59051912	I.7.3	59052480	A.4.3	59093898	D.7.3	59123745	C.2.11
59051920	I.7.3	59052498	A.4.3	59093906	D.3.3	59123752	C.2.9
59051938	I.7.3	59052506	A.4.3	59093914	D.3.3	59123760	C.2.9
59051946	I.7.3	59052613	I.21.9	59094110	F.1.3	59123778	C.2.9
59051953	I.7.3	59052639	I.17.3	59096479	E.1.9	59123786	C.2.13
59051961	I.7.3	59052647	I.17.3	59096487	B.5.3	59123794	C.2.13

## NUMERICAL INDEX

COMM. NO.	PAGE NO.	COMM. NO.	PAGE NO.	COMM. NO.	PAGE NO.	COMM. NO.	PAGE NO.
5920526	F.5.3	59348581	I.19.3		I.20.3	59438937	C.2.9
59303800	E.3.3		I.20.3	59408567	F.1.15		I.11.9
59305680	I.19.7	59349423	I.19.7		F.2.3	59438945	C.2.11
	I.20.3		I.20.3	59409037	H.2.5		I.11.11
59306340	H.2.3	59349928	C.2.3	59409045	H.2.3	59438952	I.11.9
	H.2.5		I.11.3	59409052	H.2.5	59439141	I.12.3
	H.2.7	59349936	C.2.3	59414201	I.17.3	59439158	I.26.3
59306522	D.7.3		I.11.3	59414243	I.17.3	59445155	I.15.37
59320960	B.1.3	59349944	C.2.3	59415869	B.10.3	59446153	I.14.3
	B.2.3		I.11.3		B.11.3	59446161	I.14.3
59325712	A.12.3	59349951	C.2.3	59416321	I.17.3	59446179	I.14.3
	E.1.5		I.11.3	59417493	E.2.3	59446187	I.14.3
	E.5.3	59349977	C.2.3	59417766	A.3.3	59446195	I.14.3
59326728	H.2.3		I.11.3	59417782	F.1.5	59446344	I.12.3
59327833	E.1.7	59350165	I.20.3		F.1.9	59446377	I.14.3
	F.1.9	59366971	E.1.9	59417790	F.1.5	59450049	G.1.9
	F.3.3		E.3.3		F.1.9	59450056	G.1.13
59327858	G.1.13	59374165	B.7.3	59417915	F.1.13	59450114	F.4.5
59327866	F.3.3	59379917	I.21.11	59417923	F.2.13	59450122	C.1.3
	G.1.3	59392795	A.12.3	59417931	F.1.11	59450189	G.3.3
	G.1.9		E.5.3	59429035	B.5.3	59450213	B.5.3
	G.5.3	59393389	I.1.3		B.6.3		B.6.3
59331744	E.1.7		I.3.3	59429464	H.1.5	59450262	B.3.3
59338517	E.1.9	59396317	E.1.7		H.2.5	59450270	B.5.3
	E.3.3	59396366	A.4.3	59434761	F.1.3		B.6.3
59344192	H.2.3	59397042	A.12.3	59434969	F.4.7	59450320	B.11.3
	H.2.5		E.5.3	59434977	F.2.7	59450353	B.8.3
59346510	I.20.3	59398016	E.1.5	59434993	F.2.7	59450361	D.1.3
59348268	I.4.3	59404152	I.20.3	59435990	E.1.5		D.2.3
59348276	I.4.3	59404160	I.19.7		E.1.7		I.14.3
59348284	I.4.3	59404178	I.19.7	59436931	E.1.7	59450403	D.5.3
59348367	I.4.3		I.20.3	59438812	B.1.3	59450411	C.1.3
59348375	I.4.3	59404202	I.19.7		B.2.3		F.4.3
59348417	I.4.3	59404210	I.19.3	59438820	B.1.3	59450437	A.7.3
59348508	I.19.3		I.20.3		B.2.3	59450460	G.1.11
59348557	I.19.5	59404335	I.19.3	59438838	F.2.5		G.1.15

## NUMERICAL INDEX

COMM. NO.	PAGE NO.	COMM. NO.	PAGE NO.	COMM. NO.	PAGE NO.	COMM. NO.	PAGE NO.
59450486	G.1.3	59451385	G.1.3	59452714	A.1.3	59454108	D.6.3
	G.1.9		G.1.9		A.2.3	59454215	G.1.3
59450502	C.1.3	59451393	F.3.3	59452722	A.1.3	59454249	F.4.5
59450528	G.1.9		G.1.13		A.2.3	59454256	F.4.5
59450536	G.1.9	59451427	G.1.11	59452797	C.1.3	59454264	F.4.5
59450544	G.1.13	59451435	G.1.11	59452805	C.1.3	59454272	F.4.5
59450551	G.1.11	59451443	G.1.13	59452813	B.11.3	59454363	A.7.3
	G.1.13	59451450	G.1.9	59452821	B.3.3	59454389	B.10.3
59450569	B.4.3	59451468	G.1.11	59452839	B.3.3		B.11.3
59450577	G.1.9	59451484	G.1.13	59452847	B.1.3	59454413	G.1.11
59450668	A.7.5	59451492	G.1.15		B.2.3	59454421	G.1.11
59450734	H.1.5	59451609	G.1.15	59452870	B.10.3	59454439	G.1.11
	H.2.3	59451617	G.1.15		B.11.3	59454447	C.1.3
59450742	B.4.3	59451625	G.1.3	59452888	G.1.9		F.4.3
59450759	B.4.3	59451633	G.1.11	59452896	B.10.3	59454454	C.1.3
59450775	E.1.5	59451641	G.1.13		B.11.3		F.4.3
59450783	A.1.3	59451666	G.1.11	59452904	E.1.7	59454470	F.4.3
	A.2.3	59451815	G.1.5	59452912	E.1.7	59454488	F.4.3
59450791	E.1.5		G.1.7	59452938	E.1.5	59454496	F.4.3
	E.1.7	59451831	D.6.3		E.1.7	59454587	B.11.3
59451047	F.4.9	59451955	A.3.3	59452961	B.6.3	59454603	G.1.11
59451062	F.4.9	59451963	A.3.3	59452979	A.1.3		G.1.15
59451153	B.4.3	59451971	A.2.3		A.2.3	59454652	E.1.5
59451161	B.4.3	59451989	A.3.3	59452987	B.4.3	59454710	H.1.3
59451260	F.3.3	59451997	A.1.3	59453035	D.5.3		H.2.3
59451278	B.4.3		A.3.3	59453068	A.1.3	59454728	H.1.3
59451286	B.10.3	59452219	F.4.5		A.3.3		H.2.3
	B.11.3	59452227	F.4.5	59453118	B.8.3	59454744	H.1.7
59451302	F.3.3	59452243	F.3.3	59453126	D.6.3		H.2.7
59451310	F.3.3	59452250	G.1.9	59453159	B.4.3	59454769	H.1.3
	G.1.9	59452268	G.1.9	59453167	B.4.3		H.2.3
59451336	G.1.9	59452284	F.1.11	59453175	C.1.3	59454819	G.1.11
59451344	G.1.11	59452292	F.1.11	59453191	G.1.15		G.1.15
	G.1.15	59452698	B.4.3	59453506	B.6.3	59454827	G.1.11
59451351	G.1.11	59452706	A.1.3	59453597	B.10.3	59454835	G.1.11
	G.1.15		A.2.3		B.11.3	59454876	G.1.9



**NUMERICAL INDEX**

COMM. NO.	PAGE NO.	COMM. NO.	PAGE NO.	COMM. NO.	PAGE NO.	COMM. NO.	PAGE NO.
59454884	G.1.9	59455469	E.2.3	59456012	B.10.3		E.1.5
59454926	A.1.3	59455493	E.2.3		B.11.3		E.1.9
	A.2.3	59455519	C.1.3	59456095	D.5.3	59456731	E.1.7
59454983	D.3.3	59455527	B.4.3	59456111	B.3.3	59456749	C.1.3
	D.4.3	59455535	A.4.3	59456178	G.1.11		F.4.5
	D.5.3	59455568	G.1.9		G.1.15	59456798	E.1.5
59455006	I.5.3	59455584	G.1.11	59456202	E.5.3	59456848	A.7.3
	I.6.3	59455600	A.7.5	59456210	H.1.7	59456855	B.4.3
59455022	G.1.9	59455626	A.7.3		H.2.7	59456889	B.5.3
59455030	G.1.9	59455634	B.4.3	59456244	A.3.3		B.6.3
59455055	C.2.3	59455642	H.2.7	59456277	A.3.3	59456921	F.2.5
59455063	C.2.3	59455659	B.4.3		B.6.3	59456939	E.2.3
59455071	F.1.15	59455667	B.4.3		G.1.3	59457010	A.1.3
59455097	H.1.3	59455683	E.1.9	59456293	F.2.5		A.2.3
	H.2.3	59455691	A.4.3		G.1.3	59457192	B.7.3
59455105	F.3.3	59455709	A.4.3		G.1.9		B.8.3
	G.1.9	59455717	A.7.3		G.1.11	59457218	D.6.3
59455113	B.1.3	59455725	A.4.3		G.1.15	59457267	B.1.3
	B.2.3	59455733	G.1.11	59456343	D.3.3		B.2.3
59455147	H.2.3		G.1.15		D.4.3		E.1.7
59455154	C.1.3	59455766	G.1.3		D.5.3	59457382	B.7.3
	F.4.5	59455824	I.6.3	59456376	F.3.3		B.8.3
	G.1.3	59455832	I.6.3		G.1.13	59457523	H.2.3
	G.1.9	59455840	I.6.3	59456418	D.6.3	59457531	H.2.3
59455162	C.1.3	59455865	H.2.5	59456426	H.1.7	59457580	G.1.13
59455196	I.5.3	59455899	B.10.3		H.2.7	59461152	G.3.3
	I.6.3		B.11.3	59456509	B.1.3	59461335	A.4.3
59455204	G.1.13	59455907	G.1.13		B.2.3	59461343	A.4.3
59455238	H.2.5	59455923	G.1.11	59456517	B.1.3	59461350	A.4.3
59455261	G.1.3	59455931	A.7.3		B.2.3	59461368	A.4.3
59455303	E.2.3	59455949	E.1.5	59456558	A.1.3	59461376	A.4.3
59455329	B.4.3		E.1.7		A.2.3	59461962	G.1.11
59455402	G.1.13	59455956	E.1.7	59456574	H.2.3		G.1.15
59455410	B.8.3	59455964	B.3.3	59456616	F.3.3	59461988	F.3.3
59455436	B.7.3	59455980	G.1.11	59456640	B.3.3		G.1.13
	B.8.3		G.1.15	59456699	E.1.3	59462069	F.3.3

**NUMERICAL INDEX**

COMM. NO.	PAGE NO.	COMM. NO.	PAGE NO.	COMM. NO.	PAGE NO.	COMM. NO.	PAGE NO.
	G.1.13	59465153	B.4.3	59465823	F.3.3	59471292	F.4.3
59462796	G.1.9	59465187	B.1.3	59465856	E.1.5	59471755	B.4.5
59462846	H.1.7		B.2.3	59465864	E.1.5	59471789	B.9.3
59462887	G.1.11	59465195	B.10.3	59467001	A.3.3	59471797	B.9.3
59462895	G.1.11		B.11.3	59467142	F.4.5	59471805	B.9.3
	G.1.15	59465237	I.6.3	59467175	F.4.3	59471813	B.9.3
59463240	F.3.3	59465245	I.6.3	59467209	F.4.3	59471821	B.9.3
59463273	F.3.3	59465252	I.5.3	59467225	F.4.3	59471839	B.9.3
59463406	G.3.3		I.6.3	59467308	F.4.5	59471847	B.9.3
59463414	I.5.3	59465260	I.5.3	59467316	F.4.5	59471854	B.9.3
	I.6.3		I.6.3	59468389	H.1.3	59471870	B.9.3
59463422	I.5.3	59465278	H.1.7		H.2.3	59471888	B.9.3
	I.6.3		H.2.7	59468397	H.1.3	59471904	B.9.3
59463703	A.1.3	59465286	E.1.5		H.1.5	59471938	B.9.3
	A.7.3	59465294	G.1.9		H.2.3	59472191	E.1.5
	D.7.3	59465377	A.4.3		H.2.5	59472209	B.10.3
	D.8.3	59465401	F.1.15	59468413	D.6.3		B.11.3
59463711	A.1.3	59465427	B.10.3	59468629	F.4.3	59472357	H.1.7
	B.6.3		B.11.3	59468769	F.4.5		H.2.7
	E.1.7	59465518	A.12.3	59468835	F.4.7	59472365	H.2.3
59463729	A.4.3		E.5.3		F.4.9	59473553	A.8.3
	A.7.3	59465591	A.9.3	59469064	F.4.5	59473595	A.12.3
59463745	F.4.5		E.1.5	59469072	F.4.3		E.5.3
	G.1.3		E.6.3		I.22.3	59473637	A.12.3
	G.1.13	59465609	E.2.3	59469270	H.1.7		E.5.3
59463752	C.1.3	59465617	E.1.9		H.2.7	59473652	A.12.3
59463778	C.1.3	59465641	B.10.3	59469288	A.1.3		E.5.3
59463786	D.6.3		B.11.3		A.2.3	59473660	A.9.3
	G.2.3	59465658	D.3.3	59469296	B.11.3		A.11.3
59463810	F.4.5		D.4.3	59469429	B.10.3		E.4.3
59463877	B.4.5	59465666	B.4.3		B.11.3		E.6.3
59463885	B.4.3	59465674	B.4.3	59469460	B.4.3	59473678	A.9.3
59464586	F.3.3	59465682	F.4.7	59469486	A.7.5		E.6.3
59464610	A.5.3		F.4.9	59469593	C.1.3	59473710	A.12.3
	A.6.3	59465690	F.5.3	59470989	G.1.3		E.5.3
59464628	F.5.3	59465807	F.3.3	59471151	I.6.3	59473728	A.12.3

## NUMERICAL INDEX

COMM. NO.	PAGE NO.	COMM. NO.	PAGE NO.	COMM. NO.	PAGE NO.	COMM. NO.	PAGE NO.
	E.5.3	59477026	I.12.3	59481069	B.4.5	59481408	I.15.19
59474031	E.5.3		I.23.3	59481200	I.15.17	59481416	I.13.7
59474049	A.9.3		I.27.3	59481218	I.13.7		I.15.7
	A.11.3	59477034	I.23.3		I.15.7	59481432	I.15.19
	E.3.3	59477042	I.23.3		I.15.17	59481440	I.13.7
	E.4.3	59477059	I.23.3	59481226	I.13.19		I.13.11
	E.6.3	59477067	I.23.3		I.15.19		I.15.7
59474056	A.10.3	59477075	I.23.3	59481234	D.1.3		I.15.11
	E.7.3	59480202	G.1.13		I.15.19	59481457	I.13.9
59474064	A.10.3	59480210	G.1.13	59481242	I.15.25		I.15.9
	E.7.3	59480285	C.1.3	59481259	D.2.3	59481465	I.13.11
59474080	A.8.3	59480293	C.1.3		I.15.25		I.15.11
59474106	A.12.3	59480343	I.4.3	59481275	I.13.3	59481473	I.13.11
	E.5.3	59480350	I.4.3		I.15.3		I.15.11
59474130	E.5.3	59480376	I.4.3	59481309	I.13.3	59481481	I.13.11
59474254	G.1.3	59480384	I.4.3		I.13.5		I.15.11
59474445	E.3.3	59480392	I.4.3		I.15.3	59481507	I.15.27
59474460	E.3.3	59480426	I.4.3	59481317	I.13.3	59481515	I.15.25
59474478	E.3.3	59480434	I.4.3		I.15.3	59481523	I.13.11
59474601	G.1.3	59480442	I.4.3	59481325	I.13.3		I.15.11
59474619	G.1.3	59480459	I.4.3		I.15.3	59481549	I.13.11
59474627	G.1.3	59480467	I.4.3	59481333	I.13.3		I.15.11
59474742	G.1.3	59480475	I.4.3		I.15.3	59481556	I.13.11
59474783	F.2.5	59480483	I.4.3	59481341	I.13.3		I.15.11
59476002	C.2.7	59480509	I.4.3		I.15.3	59481564	I.13.11
	I.11.7	59480517	I.4.3	59481358	I.13.3		I.15.11
59476432	I.12.3	59480533	I.25.3		I.15.3	59481572	I.15.11
59476572	I.12.3	59480541	I.25.3	59481366	I.13.3	59481580	I.13.11
59476580	I.12.3	59480558	I.25.3		I.15.3		I.15.11
59476713	F.1.11	59480566	I.25.3	59481374	I.13.3	59481598	I.15.11
59476952	I.26.3	59480574	I.25.3		I.15.3	59481614	I.15.15
	I.27.3	59480582	I.25.3	59481382	I.13.3	59481622	I.13.17
59477000	I.26.3	59480608	I.1.3		I.15.3		I.15.17
59477018	I.12.3		I.3.3		I.15.35	59481630	I.15.23
	I.23.3	59480616	I.1.3	59481390	I.13.5	59481648	I.13.17
	I.27.3		I.3.3		I.15.3		I.15.17

## NUMERICAL INDEX

COMM. NO.	PAGE NO.	COMM. NO.	PAGE NO.	COMM. NO.	PAGE NO.	COMM. NO.	PAGE NO.
59481655	I.15.21	59482166	I.15.37	59487553	C.2.9	59490573	C.2.9
59481663	I.15.21	59482174	I.15.37		I.11.9		I.11.9
59481671	I.15.21	59482182	I.15.37	59487561	C.2.9	59490581	C.2.9
59481689	I.15.23	59482190	I.15.37		I.11.9		I.11.9
59481697	I.15.23	59482208	I.15.37	59487942	C.2.11	59490599	C.2.9
59481705	I.15.23	59482216	I.15.37		I.11.11		I.11.9
59481713	I.15.23	59482653	B.1.3	59487959	C.2.11	59490607	C.2.9
59481721	I.15.25		B.2.3		I.11.11		I.11.9
59481739	I.15.25	59482703	I.15.27	59487975	C.2.11	59490615	C.2.9
	I.15.27	59482711	I.15.27		I.11.11		I.11.9
59481747	I.15.25	59483024	M.1.3	59487983	C.2.9	59490623	C.2.9
59481754	I.15.25	59483412	C.2.7		I.11.9		I.11.9
59481762	I.15.25		I.11.7	59487991	C.2.9	59490714	C.2.9
59481770	I.15.27	59483438	C.2.7		I.11.9		I.11.9
59481788	I.15.25		I.11.7	59488098	C.2.9	59490722	C.2.9
59481796	I.15.27	59483446	C.2.7		I.11.9		I.11.9
59481804	I.15.27		I.11.7	59488106	C.2.9	59490839	C.2.9
59481812	I.15.27	59483453	C.2.7		I.11.9		I.11.9
59481820	I.15.27		I.11.7	59488841	C.2.5	59490888	C.2.7
59481838	I.15.27	59483511	C.2.3		I.11.5		I.11.7
59481846	I.15.27		C.2.7	59488858	C.2.3	59490896	C.2.11
59481853	I.15.27		I.11.3		I.11.3		I.11.11
59481861	I.15.27		I.11.7	59488866	C.2.9	59490904	I.26.3
59481879	I.15.27	59484246	I.11.13		I.11.9	59491175	F.2.5
59481887	I.15.27	59486829	B.1.3	59488882	C.2.11	59491233	G.1.13
59481895	I.15.27		B.2.3		I.11.11	59491332	H.1.7
59481903	I.15.27		B.10.3	59488890	C.2.9		H.2.7
59481911	I.15.27		B.11.3		I.11.9	59491357	H.1.7
59481937	I.15.27	59486845	C.2.7	59489930	C.2.3		H.2.7
59482026	I.15.35		I.11.7		I.11.3	59491464	H.2.3
59482034	I.15.35	59486852	C.2.7	59490334	C.2.9	59491480	G.1.9
59482059	I.15.37		I.11.7		I.11.9	59491571	I.5.3
59482067	I.15.37	59486878	C.2.11	59490516	C.2.9		I.6.3
59482075	I.15.37		I.11.11		I.11.9	59491696	B.1.3
59482133	I.15.37	59486936	C.2.9	59490565	C.2.9		B.2.3
59482141	I.15.37		I.11.9		I.11.9	59491878	C.1.3

## NUMERICAL INDEX

COMM. NO.	PAGE NO.	COMM. NO.	PAGE NO.	COMM. NO.	PAGE NO.	COMM. NO.	PAGE NO.
	F.4.3	59494245	F.2.9	59495069	F.2.5	59496125	D.7.3
59491894	C.1.3		F.2.11	59495168	A.7.3		D.8.3
	F.4.3	59494278	A.6.3	59495226	B.10.3	59496182	H.1.7
59491910	G.3.3	59494336	G.1.13		B.11.3		H.2.7
59491936	G.3.3	59494344	E.2.3	59495234	F.2.3	59496216	I.26.3
59492058	C.2.3	59494377	E.1.3	59495440	F.2.15	59496695	I.26.3
59492413	B.4.3	59494385	E.1.3	59495457	F.2.15	59496927	C.2.7
59492512	E.2.3		E.1.5	59495465	F.2.11		I.11.7
59492538	E.2.3	59494435	E.3.3	59495481	F.2.11	59496935	C.2.7
59492546	B.6.3	59494450	E.3.3	59495507	F.1.9		I.11.7
59492553	D.5.3	59494617	E.3.3		F.2.11	59496943	F.2.5
59492595	F.1.3	59494641	A.12.3	59495515	F.1.5	59497024	C.2.9
59492702	G.1.7		E.5.3		F.1.9		I.11.9
59492728	G.1.5	59494666	A.9.3	59495523	F.1.9	59497842	D.4.3
59492835	G.1.5		E.6.3	59495564	F.1.5		D.5.3
59492900	G.1.7	59494674	A.10.3		F.1.9	59498188	C.2.9
59493007	F.1.13		E.7.3	59495572	F.1.5		I.11.9
59493015	F.1.13	59494690	A.11.3		F.1.9	59498212	C.2.9
59493023	F.1.13		E.4.3	59495580	F.1.9		I.11.9
59493031	F.1.13	59494716	A.8.3	59495705	F.2.5	59506501	H.1.7
59493049	F.1.13	59494724	A.11.3	59495713	F.2.5		H.2.7
59493056	F.1.11		E.4.3	59495721	F.2.5	59510065	B.9.3
59493064	F.1.11	59494732	A.11.3	59495739	F.2.5		D.1.3
59493072	F.1.15		E.4.3	59495762	F.2.5		D.2.3
59493098	F.1.15	59494740	A.11.3	59495770	F.2.11	59510073	B.7.3
59493114	F.1.9		E.4.3	59495796	F.1.13		B.8.3
59493122	F.1.3	59494765	A.9.3	59495804	F.4.7		B.10.3
59493148	G.1.13		E.6.3	59495937	F.2.15		B.11.3
59493155	G.1.13	59494773	A.9.3	59496083	D.7.3	59518670	I.1.3
59493304	G.3.3		E.6.3		D.8.3		I.3.3
59493866	A.7.3	59494781	A.9.3	59496091	D.7.3	59524447	C.2.3
59493890	F.1.11	59494815	A.8.3		D.8.3	59525568	C.2.5
59493924	F.1.5	59494922	A.9.3	59496109	D.7.3		I.11.5
59494039	D.2.3		E.6.3		D.8.3	59526079	C.2.9
59494062	A.1.3	59495010	B.3.3	59496117	D.7.3		I.11.9
59494146	F.2.9	59495028	B.3.3		D.8.3	59526087	C.2.9

**NUMERICAL INDEX**

COMM. NO.	PAGE NO.	COMM. NO.	PAGE NO.	COMM. NO.	PAGE NO.	COMM. NO.	PAGE NO.
	I.11.9	59596544	I.1.3		F.1.15	59752428	I.2.3
59526426	C.2.5		I.3.3	59663641	F.1.15	59752444	I.2.3
	C.2.9	59596551	I.1.3	59670554	A.11.3	59752451	I.2.3
	I.11.5		I.3.3		E.3.3	59752501	I.2.3
	I.11.9	59596569	I.1.3		E.4.3	59752519	I.2.3
59537266	G.5.3		I.3.3	59672709	B.4.5	59752527	I.2.3
59539569	G.2.3	59596577	I.1.3	59680132	E.1.5	59752535	I.2.3
59564021	C.2.5		I.3.3		E.1.7	59752543	I.2.3
	I.11.5	59596585	I.1.3	59680413	F.1.5	59752568	I.2.3
59564120	C.2.11		I.3.3		F.1.9	59752584	I.2.3
	I.11.11	59596593	I.1.3	59680421	H.1.7	59752592	I.2.3
59564153	C.2.5		I.3.3		H.2.7	59752634	I.2.3
	I.11.5	59596601	I.1.3	59680983	A.3.3	59759712	E.3.3
59564229	C.2.9		I.3.3		A.4.3	59759720	E.3.3
	I.11.9	59596619	I.1.3		A.12.3	59766501	F.4.5
59565036	F.2.3		I.3.3		E.5.3	59787465	A.1.3
59565705	D.3.3	59596635	I.1.3		F.2.3		A.2.3
	D.4.3		I.3.3	59717702	B.5.3	59795161	H.1.3
	D.5.3	59596668	I.1.3	59725135	I.2.3		H.2.3
59579078	H.1.5		I.3.3	59725143	I.2.3	59807941	A.1.3
	H.2.5	59602987	E.1.3	59725267	I.2.3		A.3.3
59583450	F.1.13	59604835	D.3.3	59726034	A.7.3		A.5.3
	F.2.15		D.4.3		G.2.3		A.6.3
59583468	G.4.3		D.5.3	59726075	A.7.5		A.7.3
59583476	F.5.3	59605915	H.1.5		E.1.3		A.12.3
59583484	F.1.5		H.2.5		E.1.7		B.6.3
	F.1.9	59615872	H.1.3	59726414	C.1.3		D.6.3
59583492	F.1.5		H.2.3		F.4.3		E.1.7
	F.1.9	59619502	C.2.9	59731257	H.1.3		E.5.3
59583500	F.1.5		I.11.9		H.2.3		F.2.3
	F.1.9	59634550	H.2.5	59731281	E.2.3		F.4.9
	F.3.3	59638478	E.1.7	59746248	F.3.3	59813279	E.1.9
59587014	F.1.5	59655962	A.3.3	59752345	I.2.3	59816322	E.1.3
	F.1.9	59656322	F.1.11	59752352	I.2.3	59816736	E.2.3
59587816	F.1.5		F.1.15	59752386	I.2.3	59848424	F.2.3
	F.1.9	59656330	F.1.11	59752394	I.2.3	59869917	B.4.3

## NUMERICAL INDEX

COMM. NO.	PAGE NO.	COMM. NO.	PAGE NO.	COMM. NO.	PAGE NO.	COMM. NO.	PAGE NO.
	E.1.9		E.1.5	59922203	F.2.5	59922872	F.2.3
59876201	E.1.5		E.1.9	59922245	F.1.5		F.2.9
	E.1.7		E.5.3	59922260	D.7.3		F.2.11
59878710	F.3.5		F.1.5		D.8.3	59922880	D.7.3
	H.2.5		F.1.11	59922294	F.1.11	59922898	F.1.3
59878728	H.2.3		F.1.13	59922419	F.2.3		F.2.15
	H.2.5		F.1.15		F.2.7	59922906	F.2.5
59879791	E.1.5		F.2.15		F.2.9	59922971	F.1.15
59887000	I.5.3		F.3.3		F.2.11		F.2.3
	I.6.3		F.4.9		F.2.13	59923011	F.2.5
59892109	H.2.3		G.1.9		F.4.7	59923052	F.2.5
59903138	D.7.3	59918581	F.1.5	59922484	D.7.3	59923185	F.2.5
	D.8.3		F.1.9		F.2.15	59923318	F.1.9
59903153	F.4.7		F.2.11	59922492	D.7.3		F.2.11
59918441	D.7.3	59918615	F.1.7		D.8.3	59923599	D.7.3
	D.8.3		F.2.7		F.4.7		D.8.3
59918532	F.1.5		F.2.13		F.5.3	59923797	D.7.3
	F.2.9	59918649	F.1.3	59922534	F.1.11		F.1.3
59918540	F.1.3		F.1.5	59922617	F.2.3		F.2.5
	F.1.9		F.1.9		F.2.5	59924043	F.1.7
	F.2.3		F.1.13	59922641	F.2.3		F.2.7
	F.2.13		F.2.3		F.2.5	59924050	F.1.7
59918557	F.1.13		F.2.15	59922658	F.2.5		F.1.9
	F.4.7	59919654	F.4.7	59922690	F.2.5		F.2.3
59918573	A.1.3	59919670	D.7.3	59922807	F.1.5		F.2.9
	A.2.3		D.8.3		F.1.9	59924241	A.12.3
	A.3.3		F.1.9	59922823	F.2.13		E.5.3
	A.12.3		F.2.3	59922849	F.2.13	59928606	D.3.3
	B.3.3		F.2.7	59922864	F.1.5		D.4.3
	B.4.3		F.2.13		F.1.7	59929026	F.1.13
	B.10.3		F.4.7		F.1.9		F.2.15
	B.11.3	59921031	F.1.5		F.1.13	59929059	A.7.3
	C.1.3		F.1.9		F.2.3		G.2.3
	D.3.3	59921056	F.1.7		F.2.9	59929182	F.1.9
	D.4.3		F.1.9		F.2.11		F.2.3
	D.5.3		F.2.7		F.2.15		F.2.5

**NUMERICAL INDEX**

COMM. NO.	PAGE NO.	COMM. NO.	PAGE NO.	COMM. NO.	PAGE NO.	COMM. NO.	PAGE NO.
	F.2.7	59965962	A.1.3	G.1.5			G.1.13
	F.2.9		A.12.3	72 " Quick Attach Side	95279386		B.4.3
	F.2.11		B.4.5	Tilt	95279915	G.1.7	E.1.7
59941682	A.1.3		E.1.5	72" Load Arm	95285243	G.1.7	I.6.3
	A.2.3		E.5.3	72" Quick Attach Car-	95286266	G.1.7	B.4.3
	A.3.3		F.2.7	riage			B.5.3
	A.9.3		F.2.9	72" Standard Carriage			B.6.3
	A.12.3		F.2.11	G.1.7	95287629		D.1.3
	B.4.5		F.2.13	95055067	G.1.15		D.2.3
	D.3.3		H.1.5	95074175	A.11.3		D.7.3
	D.4.3		H.2.5		E.4.3		D.8.3
	D.5.3	59969972	H.2.7	95081857	F.1.11		F.2.3
	E.1.5	59969980	H.2.7	95090106	A.12.3	95302113	F.2.9
	E.1.7	59973511	B.10.3		E.5.3		F.4.5
	E.1.9		B.11.3	95157400	G.1.3	95302121	G.1.11
	E.5.3		E.1.3	95201547	F.4.3		B.4.3
	E.6.3	59974915	A.9.3		G.1.3	95302667	B.4.3
	F.2.7	59976548	H.1.5		G.1.9	95302683	B.4.3
	F.2.9		H.2.5		G.1.11	95303335	B.1.3
	F.2.11	59977306	I.19.7	95207593	G.1.11		B.2.3
	H.1.3		I.20.3	95219747	B.4.3		F.1.11
	H.2.3	59985069	M.1.3	95230009	B.11.3		F.4.5
59942797	F.3.3	59989558	E.2.3	95234845	G.2.3		G.1.3
59947507	H.1.7	59990069	F.1.5	95246088	G.1.13	95303343	G.1.13
	H.2.7	59998070	B.10.3	95248084	E.1.7	95303368	F.3.3
59954818	F.3.3		B.11.3	95250692	B.4.3	95310231	E.1.5
	G.4.3	59998096	A.1.3	95257325	B.1.3	95325916	B.5.3
59954826	F.3.3		A.3.3		B.2.3		B.6.3
	G.4.3		A.6.3	95257333	D.1.3	95335311	G.1.9
59954834	F.3.5	59998146	A.2.3		D.2.3	95335980	G.4.3
	G.4.3		H.1.5		D.7.3	95341665	G.4.3
59957134	D.4.3		H.2.5		D.8.3	95349064	F.4.3
	D.5.3	60" Load Arm	G.1.5	95263380	D.2.3	95359410	D.1.3
59962332	F.1.15	60" Quick Attach	G.1.5	95278966	F.4.7	95364030	A.7.3
59962621	F.1.13	Carriage	G.1.5		F.5.3	95364964	F.3.3
		60" Standard Carriage			G.1.11		G.1.9
							G.1.11



**NUMERICAL INDEX**

COMM. NO.	PAGE NO.	COMM. NO.	PAGE NO.	COMM. NO.	PAGE NO.	COMM. NO.	PAGE NO.
95365078	F.3.5	95487959	F.1.3	95919296	G.2.3	95920542	C.1.3
95365094	F.2.3	95498994	D.3.3	95919346	G.1.3		F.1.5
	G.4.3	95666996	D.7.3	95919361	F.1.11		F.1.13
95365425	H.1.5		D.8.3	95919411	D.6.3		F.2.15
	H.2.5	95713798	A.10.3	95919437	D.7.3	95920567	D.5.3
95365599	B.10.3		B.10.3	95919478	F.1.5		F.1.15
	B.11.3		B.11.3	95919502	G.1.13	95920591	F.1.11
	C.1.3		E.1.3	95919551	G.1.9		F.1.15
95371092	D.5.3		E.7.3	95919593	G.1.13	95920609	H.1.3
95371258	D.1.3	95739306	B.4.5		G.5.3		H.2.5
	F.2.3	95839379	I.15.29	95919601	F.4.3	95920641	F.1.5
	F.2.9	95846051	B.4.3		G.1.9		F.1.9
	G.4.3		D.8.3	95919627	G.1.3	95920658	G.4.3
95372173	F.3.3		F.4.9		G.1.9	95920765	D.4.3
	F.4.5		F.5.3	95919650	F.3.3		D.5.3
95373841	E.1.9	95888988	D.5.3	95919676	F.4.3	95920815	D.1.3
95373882	E.3.3	95888996	D.3.3	95919742	D.4.3		D.2.3
95373973	A.11.3		D.4.3		D.5.3	95920864	A.7.3
	B.4.3		E.1.5	95919767	E.1.9	95920906	G.1.11
	B.7.3		E.1.7	95919817	G.1.9	95920922	G.1.13
	B.8.3	95889036	B.7.3	95919908	B.1.3	95921599	G.1.5
	E.4.3		B.8.3		B.2.3		G.1.7
	G.4.3	95912606	I.5.3	95919924	B.1.3		G.5.3
95376141	G.1.13		I.6.3		B.2.3		H.1.7
95379392	B.7.3	95912614	I.5.3	95920021	B.1.3		H.2.7
	B.8.3		I.6.3		B.2.3	95922183	A.7.3
95418976	A.7.5	95912648	C.1.3	95920161	C.1.3		H.2.5
95424586	B.10.3	95912671	F.3.3	95920377	G.4.3	95922225	C.1.3
	B.11.3		G.1.13	95920401	A.4.3	95922233	A.1.3
	E.1.3	95919171	F.3.3	95920427	A.5.3		B.4.5
	E.3.3		G.1.13		A.6.3		B.10.3
95426359	A.7.5	95919197	G.1.13	95920443	G.2.3		B.11.3
	B.5.3	95919239	B.4.3	95920500	B.10.3		G.1.13
	B.6.3		G.1.5		B.11.3	95922274	B.1.3
	F.1.3		G.1.7	95920526	F.4.5		B.2.3
95480109	F.4.5	95919254	A.4.3	95920534	F.1.9		G.1.11

## NUMERICAL INDEX

COMM. NO.	PAGE NO.	COMM. NO.	PAGE NO.	COMM. NO.	PAGE NO.	COMM. NO.	PAGE NO.
95922308	A.1.3		B.8.3		G.1.9		
	A.2.3		E.1.7	95931416	G.2.3		
95922324	A.5.3	95923199	D.7.3	95931432	F.3.3		
	A.7.3		H.1.5		G.1.3		
	B.4.3		H.2.5		G.1.5		
	D.7.3	95923298	F.1.5		G.1.7		
	E.1.9	95923322	A.1.3		G.1.13		
	F.1.5		B.4.3		G.1.15		
95922365	A.4.3		G.2.3	95931457	G.1.13		
	E.1.7	95923439	B.1.3	95931507	D.5.3		
	F.4.5		B.2.3	95932141	A.12.3		
	I.5.3	95923447	C.1.3	95932737	A.7.3		
	I.6.3	95923488	G.2.3	96702279	B.10.3		
95922373	A.4.3	95923918	A.1.3	96702287	B.9.3		
	D.3.3		A.2.3	96702311	B.7.3		
	D.4.3		A.7.3		B.11.3		
	D.5.3		D.3.3	96702535	E.1.3		
	G.2.3		D.4.3	96702824	E.1.5		
95922399	A.6.3	95923926	A.1.3	96703541	B.9.3		
	G.1.13		A.2.3	96704234	E.1.5		
95922423	A.1.3	95924007	G.1.11	96704358	D.1.3		
	A.2.3		G.1.15	96704655	B.9.3		
95922753	E.1.5	95924023	B.7.3		B.10.3		
95922803	G.1.11		B.8.3	96704713	B.9.3		
95922829	B.5.3	95924049	A.7.3	96704812	B.9.3		
	B.6.3		B.9.3		E.1.7		
95922837	E.1.7		G.2.3	96705132	E.1.7		
95922936	H.2.5	95924247	H.2.5	96719802	B.8.3		
95922977	B.10.3	95931226	F.3.3	96719893	B.1.3		
	B.11.3		G.1.9		B.2.3		
95923058	A.7.3		G.1.15				
	B.7.3	95931242	G.1.9				
	B.8.3		G.1.11				
	G.2.3	95931408	E.1.5				
95923090	A.7.3		E.1.7				
95923124	B.7.3		F.4.5				

## WORD INDEX

1.3 Cubic Yard Quick Attach Bucket _____	G.1.7	Cap _____	B.4.3,B.10.3,B.11.3
15' Truss Boom _____	G.5.3	Cap, Radiator _____	B.4.3
48" Load Arm _____	G.1.5	Carriage, 48" Quick Attach _____	G.1.5
48" Load Pin _____	G.1.5	Carriage, 48" Quick Attach Side Tilt _____	G.1.5
48" Quick Attach Carriage _____	G.1.5	Carriage, 48" Standard _____	G.1.5
48" Quick Attach Side Tilt Carriage _____	G.1.5	Carrier _____	C.2.3,I.11.3
48" Standard Carriage _____	G.1.5	Center Floor Plate _____	A.1.3
Accelerator Pedal _____	B.9.3	Chain Anchor _____	G.1.11,G.1.15
Accumulated Pressure Light _____	E.2.3	Chain, Leaf _____	G.1.11,G.1.13
Accumulator _____	A.7.5	Chain, Pin _____	G.1.11,G.1.15
Air Breather _____	I.15.3	Chain, Plate _____	G.1.15
Air Cleaner _____	B.5.3,B.6.3	Charging Pump Drive _____	I.15.15
Air Cleaner Element _____	I.9.3	Check Valve _____	F.1.5
Air Valve _____	C.2.3	Column, Steering _____	A.4.3
Alarm, Backup _____	E.1.9	Compensating Cylinder _____	G.1.9
Alternator _____	B.1.3,B.2.3,E.1.5	Control Cover Plate _____	
Alternator Fan _____	E.1.5	Control Valve Housing Assembly _____	I.15.37
Anchor Chain _____	G.1.11,G.1.15	Control Valve with Mechanical Inching _____	I.15.37
Arm Rest _____	H.1.5,I.5.3	Controller, Joystick Type _____	I.21.3,I.21.17
Arm, 48" Load _____	G.1.5	Controller, Linear Type _____	I.21.3,I.21.19
Auxiliary Pump Drive _____	I.15.13	Cooler, Oil _____	B.4.3
Axle _____	C.1.3	Cooling Reservoir _____	B.4.3
Axle Cylinder _____	C.1.3	Counterbalance Valve _____	G.4.3
Axle Pivot Pin _____	C.1.3	Crowd And Boom Control Valve _____	I.21.3,I.21.13
Backup Alarm _____	E.1.9	Crowd Cylinder _____	G.1.13
Battery _____	E.1.7	Cylinder, Axle _____	C.1.3
Battery Box _____	E.1.7	Cylinder, Boom _____	G.1.9
Battery Cable _____	E.1.3,E.1.7	Cylinder, Compensating _____	G.1.9
Blade, Fan _____	B.1.3,B.2.3	Cylinder, Crowd _____	G.1.13
Blade, Wiper _____	I.7.3	Cylinder, Frame Level Hydraulic _____	F.2.15
Block Fork _____	G.3.3	Cylinder, Outrigger _____	F.4.5
Block Heater Kit _____	B.1.3,B.2.3	Cylinder, Steering _____	C.2.13,I.11.13
Bolt, Wheel Mounting _____	C.2.11,I.11.11	Cylinder, Tilt _____	G.1.3
Boom Control Valve Kit _____	F.2.7,F.2.9,F.2.11,F.2.13	Decal Installation _____	H.1.3,H.2.3
Boom Cylinder _____	G.1.9	Decal Installation _____	H.1.3,H.2.3
Boom Cylinder Hoses _____	F.1.11	Defroster _____	A.8.3,A.12.3,E.5.3
Boom Extension Cylinder Hoses _____	F.1.15	Dipstick _____	D.2.3
Boom, 15' Truss _____	G.5.3	Disc Brake Caliper _____	I.15.29
Boom, Intermediate _____	G.1.3	Dome Light _____	A.8.3,A.11.3,E.4.3
Boom, Outer _____	G.1.3	Drive Axle _____	C.1.3
Box, Battery _____	E.1.7	Drive Plate _____	I.15.9
Brake Hoses And Adapters _____	F.1.3	Drive, Charging Pump _____	I.15.15
Brake Lever _____	D.3.3,D.4.3	Dual Counterbalance Valve _____	F.1.11
Brake Pedal _____	A.7.3	Element _____	I.9.3
Brake Valve _____	A.7.3	Element, Air Cleaner _____	I.9.3
Breather, Air _____	I.15.3	Engine _____	B.1.3,B.2.3
Breather, Fill _____	I.17.3	Engine Cover Plate _____	A.1.3
Bucket, 1.3 Cubic Yard, Quick Attach _____	G.1.7	Engine Filter Kit _____	B.1.3,B.2.3
Cab _____	A.8.3,I.7.3	Engine Manual - T4.40 Engine Operation _____	M.1.3
Cable Battery _____	E.1.3,E.1.7	Engine Mounting Bracket _____	B.1.3,B.2.3
Cable, Throttle _____	B.7.3,B.8.3	Engine Oil Filter _____	B.1.3
Caliper, Disc Brake _____	I.15.29	Engine Oil Filter _____	B.1.3,B.2.3
Caliper, Parking Brake _____	I.15.29,I.15.31	Exhaust Pipe _____	B.3.3

## WORD INDEX

Fan _____	A.12.3	Housing Assembly, Control Valve _____	I.15.37
Fan Belt _____	B.1.3,B.2.3	Hub, Planetary _____	C.2.11,I.11.11
Fan Blade _____	B.1.3,B.2.3	Hydraulic Pump _____	A.4.3
Fan, Alternator _____	E.1.5	Hydraulic Restrict Light _____	E.2.3
Fan, Defroster _____	E.5.3	Hydraulic Tank _____	F.2.5
Fill Breather _____	I.17.3	Hydraulic Tank Filter _____	F.2.5
Filter _____	F.2.5	Ignition Key _____	E.1.5,E.1.7
Filter Kit _____	B.1.3,B.2.3	Ignition Switch _____	E.1.5,E.1.7
Filter Kit, Engine _____	B.1.3,B.2.3	Intermediate Boom _____	G.1.3
Filter, Engine Oil _____	B.1.3	Joystick Type Controller _____	I.21.3,I.21.17
Filter, Engine Oil _____	B.1.3,B.2.3	Key, Ignition _____	E.1.5,E.1.7
Filter, Fuel _____	B.1.3,B.2.3	Kit, Block Heater _____	B.1.3,B.2.3
Filter, Hydraulic Tank _____	F.2.5	Kit, Boom Control Valve _____	F.2.7,F.2.9,F.2.11,F.2.13
Filter, Water Separator _____	B.1.3,B.2.3	Knuckle, Steering _____	C.2.7,I.11.7
Filter, Water Separator _____	B.10.3,B.11.3	Latch, Hood _____	A.1.3
Floor Mat _____	A.8.3	Leaf Chain _____	G.1.11,G.1.13
Floor Plate _____	A.3.3	Level Valve _____	C.1.3
Floor Plate - Back _____	A.1.3	Lever, Brake _____	D.3.3,D.4.3
Floor Plate - Center _____	A.1.3	Lever, Park Brake _____	D.5.3
Fork, Block-type _____	G.3.3	Lever, Transmission Control _____	D.3.3,D.4.3
Fork, Pin-type _____	G.3.3	Light, Accumulated Pressure _____	E.2.3
Frame Level Hydraulic Cylinder _____	F.2.15	Light, Dome _____	A.8.3,A.11.3,E.4.3
Front Floor Plate _____	A.1.3A.3.3	Light, Hydraulic Restrict _____	E.2.3
Front Hood _____	A.1.3,A.2.3	Light, Park Brake _____	E.2.3
Fuel Filter _____	B.1.3,B.2.3	Linear Type Controller _____	I.21.3,I.21.19
Fuel Gauge _____	E.2.3	Lower Radiator Hose _____	B.4.3
Fuel Level Sender _____	B.10.3,B.11.3	Lubechart _____	H.2.3
Fuel Tank _____	B.11.3	Magnet, Strainer _____	I.17.3
Fuse _____	A.9.3,E.6.3	Magnetic Drain Plug _____	I.15.3
Fuse Holder _____	A.9.3,A.11.3	Main Hydraulic And Steering Pump _____	F.2.5
Gauge, Fuel _____	E.2.3	Manual, Operator's/Maintainence _____	M.1.3
Gauge, Hourmeter _____	E.2.3	Manual, Parts _____	M.1.3
Gauge, Oil Pressure _____	E.2.3	Manual, Perkins T4.40 Engine Operation _____	M.1.3
Gauge, Transmission Temperature _____	E.2.3	Manual, Saftey _____	M.1.3
Gauge, Voltmeter _____	E.2.3	Mat, Floor Mat _____	A.8.3
Gauge, Water Temperature _____	E.2.3	Mirror _____	H.2.3
Gear, Planetary _____	C.2.9,I.11.9	Motion Control Valve _____	G.1.3
Hand Pump & Steering Column _____	A.4.3	Motor Control Valve _____	G.1.13
Heater _____	A.8.3,A.12.3	Motor, Starter _____	B.1.3,B.2.3,E.1.7
Heater/Glow Plug _____	B.1.3,B.2.3	Motor, Wiper _____	I.7.3
Holder, Fuse _____	A.9.3,A.11.3	Muffler _____	B.3.3
Hood _____	A.2.3	Nut, Wheel Mounting _____	C.2.9,I.11.9
Hood Latch _____	A.1.3	Oil Cooler _____	B.4.3
Hood Rod _____	A.1.3,A.2.3	Oil Filter, Engine _____	B.1.3,B.2.3
Hood, Front _____	A.1.3,A.2.3	Oil Pressure Gauge _____	E.2.3
Hood, Rear _____	A.1.3,A.2.3	One-piece Rim _____	C.2.3
Horn _____	E.1.7	Operator's/Maintainence Manual _____	M.1.3
Hose Reel _____	F.3.3	Outer Boom _____	G.1.3
Hose, Lower Radiator _____	B.4.3	Outrigger Cylinder _____	F.4.5
Hose, Upper Radiator _____	B.4.3	Park Brake Lever _____	D.5.3
Hoses, Boom Cylinder _____	F.1.11	Park Brake Light _____	E.2.3
Hoses, Boom Extension Cylinder _____	F.1.15	Parking Brake Caliper _____	I.15.29,I.15.31
Hoses, Steering, Brake And Boom _____	F.2.3	Parts Manual _____	M.1.3
Hoses, Tilt Boom System _____	F.1.13	Pedal, Accelerator _____	B.9.3
Hourmeter Gauge _____	E.2.3	Pedal, Brake _____	A.7.3

## WORD INDEX

Pin Chain _____	G.1.11,G.1.15	Steering Wheel _____	A.4.3
Pin Fork _____	G.3.3	Steering, Brake And Boom Hoses _____	F.2.3
Pin, 48" Load _____	G.1.5	Strainer Magnet _____	I.17.3
Pin, Axle Pivot _____	C.1.3	Switch, Ignition _____	E.1.5,E.1.7
Pinion and Ring Gear _____	C.2.5,I.11.5	Tail Pipe _____	B.3.3
Pipe, Exhaust _____	B.3.3	Tank, Fuel _____	B.11.3
Pipe, Tail _____	B.3.3	Tank, Hydraulic _____	F.2.5
Planetary Gear _____	C.2.9,I.11.9	Temperature Sender _____	E.1.3
Planetary Hub _____	C.2.11,I.11.11	Thermostat _____	B.1.3
Plate Chain _____	G.1.15	Throttle Bracket _____	B.9.3
Plate, Center Floor _____	A.1.3	Throttle Cable _____	B.7.3,B.8.3
Plate, Control Cover _____		Tilt And Level Control Valve _____	I.21.3,I.21.5
Plate, Engine Cover Plate _____	A.1.3	Tilt Boom System Hoses _____	F.1.13
Plate, Floor _____	A.3.3	Tilt Cylinder _____	G.1.3
Plate, Floor - Back _____	A.1.3	Tire _____	C.2.3
Plate, Floor - Center _____	A.1.3	Top Console Plate _____	A.1.3
Plate, Front Floor _____	A.1.3A.3.3	Torque Converter with Freewheel _____	I.15.11
Plate, Rear Floor _____	A.3.3	Transmission _____	D.1.3,D.2.3
Plate, Side Console _____	A.1.3	Transmission Control Lever _____	D.3.3,D.4.3
Plate, Top Console _____	A.1.3	Transmission Temperature Gauge _____	E.2.3
Plug, Magnetic Drain _____	I.15.3	Tread, Safety _____	H.2.3
Pre-Cleaner _____	B.5.3	Universal Shaft _____	I.14.3
Pump, Hydraulic _____	A.4.3	Upper Radiator Hose _____	B.4.3
Pump, Main Hydraulic And Steering _____	F.2.5	Valve, Air _____	C.2.3
Radiator _____	B.4.3	Valve, Brake _____	A.7.3
Radiator Cap _____	B.4.3	Valve, Check _____	F.1.5
Radiator Hose, Lower _____	B.4.3	Valve, Counterbalance _____	G.4.3
Radiator Hose, Upper _____	B.4.3	Valve, Crowd And Boom Control _____	I.21.3,I.21.13
Rail, Seat _____	I.5.3	Valve, Dual Counterbalance _____	F.1.11
Rear Floor Plate _____	A.3.3	Valve, Level _____	C.1.3
Rear Hood _____	A.1.3,A.2.3	Valve, Motion Control _____	G.1.3
Rear Wiper _____	A.8.3	Valve, Selector _____	F.1.5
Reel, Hose _____	F.3.3	Valve, Steering Selector _____	A.4.3
Reservoir, Cooling _____	B.4.3	Valve, Tilt And Level Control _____	I.21.3,I.21.5
Rim, One-piece _____	C.2.3	Voltmeter Gauge _____	E.2.3
Ring Gear and Pinion _____	C.2.5,I.11.5	Water Separator Filter _____	B.1.3,B.2.3, B.10.3,B.11.3
Rod, Hood _____	A.1.3,A.2.3	Water Temperature Gauge _____	E.2.3
Safety Tread _____	H.2.3	Wheel End _____	C.2.9,I.11.9
Safety Manual _____	M.1.3	Wheel Mounting Bolt _____	C.2.11,I.11.11
Seal Kit _____	See Component	Wheel Mounting Nut _____	C.2.9,I.11.9
Seat _____	A.5.3,A.6.3	Wheel, Steering _____	A.4.3
Seat Rail _____	I.5.3	Wiper _____	E.7.3
Selector Valve _____	F.1.5	Wiper Blade _____	I.7.3
Sender, Fuel Level _____	B.10.3,B.11.3	Wiper Motor _____	I.7.3
Sender, Temperature _____	E.1.3	Wiper, Rear _____	A.8.3
Shaft, Universal _____	I.14.3		
Side Console Plate _____	A.1.3		
Split-rim _____	C.2.3		
Starter Motor _____	B.1.3,B.2.3,E.1.7		
Steering Axle Housing _____	C.2.7,I.11.7		
Steering Column _____	A.4.3		
Steering Cylinder _____	C.2.13,I.11.13		
Steering Knuckle _____	C.2.7,I.11.7		
Steering Selector Valve _____	A.4.3		
Steering System _____	F.1.5		



## PARTS WARRANTY

Ingersoll-Rand Company ("Company") through its distributor warrants that parts manufactured by it will be as specified and will be free from defects in material and workmanship. The Company's liability under this warranty shall be limited to the repair or replacement of any part which was defective at the time of shipment provided Purchaser notifies the Company of any such defect promptly upon discovery, but in no event later than three (3) months from the date of shipment of such part by the Company.

Repairs and replacements shall be made by the Company F.O.B. point of shipment. The Company shall not be responsible for costs of transportation, removal, or installation.

Warranties applicable to material and equipment supplied by the Company but wholly manufactured by others, shall be limited to the warranties extended to the Company by the manufacturer which are able to be conveyed to the Purchaser.

This warranty does not apply to failures occurring as a result of abuse, misuse, negligent repairs, corrosion, erosion, and normal wear and tear, alterations, or modifications made to the part without express written consent of Ingersoll-Rand.

THIS WARRANTY IS IN LIEU OF ALL OTHER WARRANTIES (EXCEPT OF TITLE), EXPRESSED OR IMPLIED, AND THERE ARE NO WARRANTIES OF MERCHANTABILITY OR OF FITNESS FOR A PARTICULAR PURPOSE.

## LIMITATION OF LIABILITY

The remedies of the user set forth under the provisions of warranty outlined above are exclusive and the total liability of Ingersoll-Rand; or its distributor with respect to this sale; or the equipment and service furnished hereunder, in connection with the performance or breach thereof, or from the sale, delivery, installation, repair or technical direction covered by or furnished under this sale, whether based on contract warranty, negligence, indemnity, strict liability or otherwise shall not exceed the purchase price of the unit of equipment upon which such liability is based.

Ingersoll-Rand and its distributor shall in no event be liable to the user, any successors in interest, or any beneficiary of assignee relating to this sale for any consequential, incidental, indirect, special, or punitive damages arising out of this sale; or any breach upon lost goodwill, lost profits or revenue, interest, work stoppage, impairment of other goods, loss by reason of shutdown or non-operation, increased expenses of operation of the equipment, loss of use of power system, cost of purchase of replacement power; or claims of user or customer of the user for service interruption whether or not such loss or damage is based on contract, warranty, negligence, indemnity, strict liability or otherwise.

INGERSOLL-RAND COMPANY - - - - 4/81



**Road Development**

Ingersoll-Rand Company  
312 Ingersoll Drive  
Shippensburg, PA 17257

©2000 Ingersoll-Rand Company  
Printed in U.S.A.