

# INTERSTATE



## 40DLA

**THE  
DEFINITION  
OF VALUE**

**CONTINUOUS PIERCED  
MAIN BEAM WITH  
INTERLOCKING  
CROSSMEMBERS  
SYSTEM**

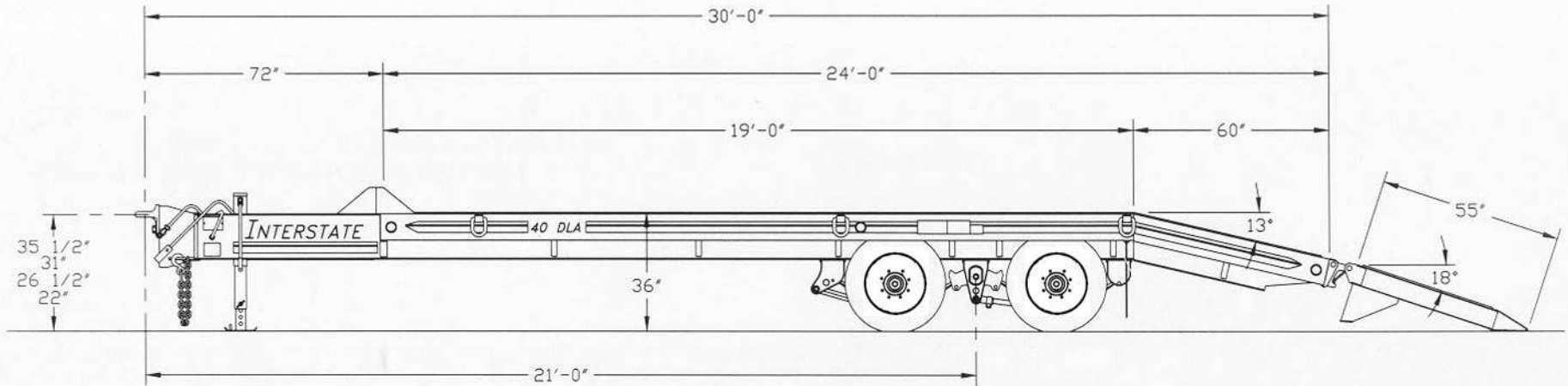
**SEALED BEAM  
ELECTRICAL SYSTEM**

**HEAVY DUTY AIR  
BRAKES**

**HEAVY DUTY SPRING  
SUSPENSION**

**FRONT HEAD  
BOARD STOP**

**UNDERCOATED**



## MODEL 40DLA

CAPACITY:	40,000# @ 55 MPH	Main Rails:	W14" x 22# A572 Gr. 50 High Tensile
Trailer Weight:	7,600#	Crossmembers:	6" Jr. I-Beam A572 Gr. 50 High Tensile
Overall Length:	30' 0"	Heavy Duty Axles:	(2) 22,500#
Overall Width:	96"/102"	Heavy Duty Brakes:	12 1/4" x 7 1/2" Air - ABS
Platform Length:	24' 0"	Heavy Duty Suspension:	H9700
Platform Height:	36"	Tires:	(8) 215/75R x 17.5 - 16 Ply Radial
Dovetail Length:	60"	Heavy Duty Wheels:	8 Hole, Hub Piloted
Ramp Length:	55"	Lights & Electric:	Sealed Beam System/ICC & DOT Approved
Ramp Width:	22 1/2"	Hitch:	Adjustable Pintle Eye
Decking:	2" Nominal Hardwood	Heavy Duty Jack:	12,000# Drop Leg

Your **INTERSTATE** Dealer Is