

IMHC 1360

OUTREACH (RADIUS): 10 - 40 m
MAX CAPACITY: 63 t



IMHC 1360

A fast and flexible crane for all sorts of cargoes including containers, bulk and general cargo.

The crane is built in two variants:
 1. Single winch with 2 ropes
 2. Double winch with 4 ropes (4-ropes grab crane)

GENERAL DIMENSIONS AND WEIGHTS

| | | |
|---|---------------------------------------|--------|
| A | Minimum outreach/Radius | 10 m |
| B | Maximum outreach/Radius | 40 m |
| C | Overall height tower | 25 m |
| D | Tower cab height (operator eye level) | 18 m |
| E | Height of boom fulcrum | 13,2 m |
| | Total Weight (approx.) | 240 t |

HOISTING HEIGHTS

| | | |
|---|------------------------------------|----------------|
| F | Above quay level until | 34 m: h = 34 m |
| G | Above quay level at maximum radius | 26 m |
| H | Under quay level | 15 m |

CHASSIS AND PROPPING SYSTEM

| | | |
|---|---|--------------|
| I | Overall width of undercarriage | 4,5 m |
| L | Minimum overall width outriggers | 9,2 m |
| M | Maximum Propping base | 10,5 x 11 m |
| | Chassis dimensions in travel mode (approx.) | 13,5 x 9,2 m |

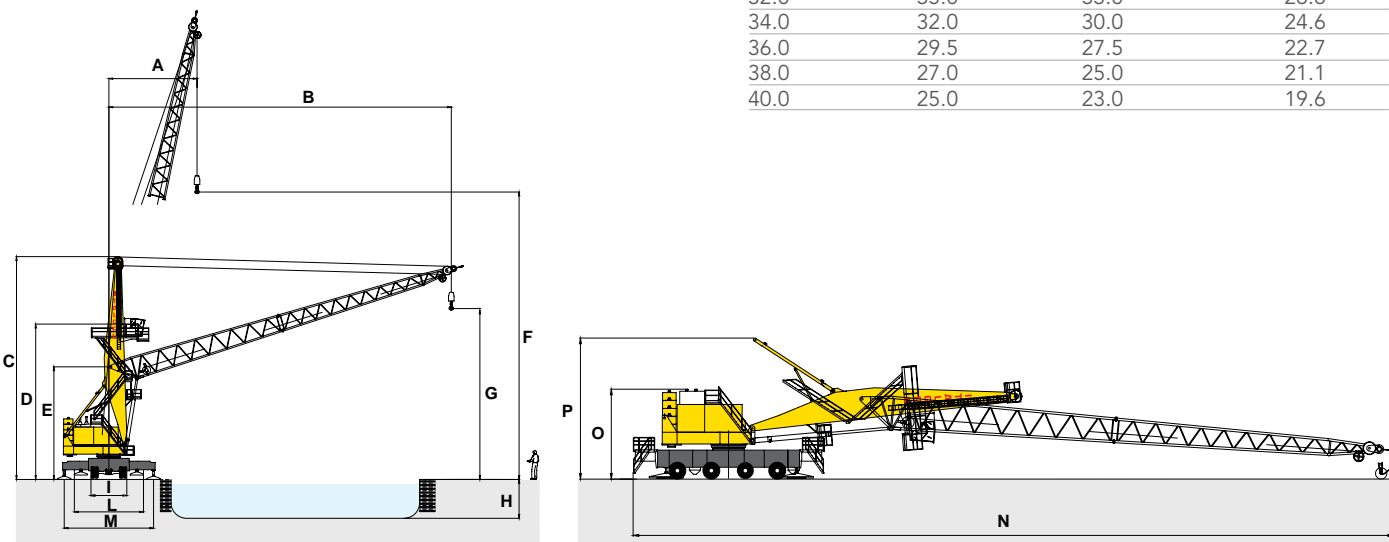
DIMENSIONS WITH TOWER AND BOOM LOWERED

| | | |
|---|------------------------|--------|
| N | Overall length | 60 m |
| O | Machinery house height | 7,8 m |
| P | Overall height | 12,4 m |

TRAVEL GEAR

| | |
|----------------|---|
| Axles | 4 |
| Steering axles | 4 |
| Driven axles | 2 |

| OUTREACH/ RADIUS | HEAVY USE | GENERAL CARGO CONTAINERS | GRAB USE |
|---------------------|--------------|-----------------------------|---------------|
| m | t Under hook | t Under hook | t Under ropes |
| 10.0 | 63.0 | 50.0 | 42.0 |
| 12.0 | 63.0 | 50.0 | 42.0 |
| 14.0 | 63.0 | 50.0 | 42.0 |
| 16.0 | 63.0 | 50.0 | 42.0 |
| 18.0 | 63.0 | 50.0 | 42.0 |
| 20.0 | 63.0 | 50.0 | 42.0 |
| 22.0 | 58.6 | 50.0 | 42.0 |
| 24.0 | 51.4 | 45.3 | 39.9 |
| 26.0 | 45.7 | 40.2 | 35.7 |
| 28.0 | 42.0 | 40.0 | 32.2 |
| 30.0 | 38.5 | 36.5 | 29.3 |
| 32.0 | 35.0 | 33.0 | 26.8 |
| 34.0 | 32.0 | 30.0 | 24.6 |
| 36.0 | 29.5 | 27.5 | 22.7 |
| 38.0 | 27.0 | 25.0 | 21.1 |
| 40.0 | 25.0 | 23.0 | 19.6 |



Other dimensions, lifting capacities, working speeds and equipments are available on request.



CONTACT

Tel. +39 - (0) 35.49.32.411
 Fax +39 - (0) 35.49.32.409
 info@italgru.com / www.italgru.com