

# IMHC 3160

OUTREACH (RADIUS): 11 - 54 m  
MAX CAPACITY: 160 t



**IMHC 3160**

The IMHC 1360 has been designed to efficiently load and unload vessels up to the size of post-panamax carriers. The crane allows to handle all types of cargo including heavy lifts up to 160 tons.

The crane is built in two variants:

1. Single winch with 2 ropes
2. Double winch with 4 ropes (4-ropes grab crane)

**GENERAL DIMENSIONS AND WEIGHTS**

A	Minimum outreach/Radius	11 m
B	Maximum outreach/Radius	54 m
C	Overall height tower	34,5 m
D	Tower cab height (operator eye level)	22 m
E	Height of boom fulcrum	17,5 m
	Total Weight (approx.)	440 t

**HOISTING HEIGHTS**

F	Above quay level until 46 m radius	40 m
G	Above quay level at maximum radius	21 m
H	Under quay level	15 m

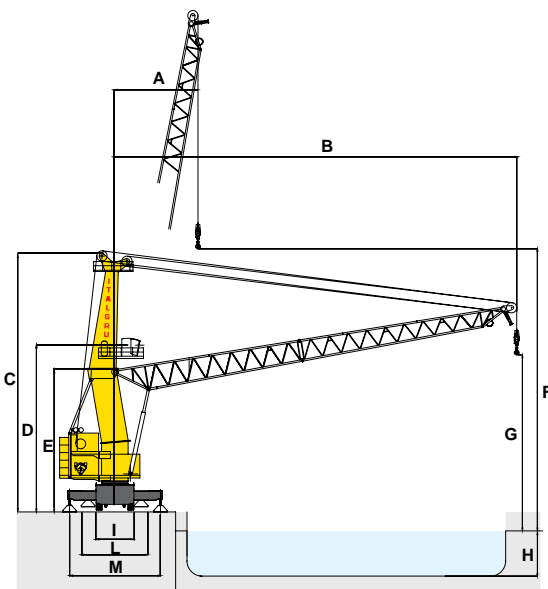
**CHASSIS AND PROPPING SYSTEM**

I	Overall width of undercarriage	5 m
L	Minimum overall width outriggers	9,2 m
M	Maximum Propping base	12 x 16 m
	Chassis dimensions in travel mode (approx.)	19 x 9,2 m

**TRAVEL GEAR**

Axles	7
Steering axles	7
Driven axles	2

OUTREACH/ RADIUS	HEAVY USE	TWIN LIFT	SINGLE LIFT	GRAB USE
m	t Under hook	t Under hook	t Under hook	t Under ropes
11.0	160.0	65.0	50.0	60.0
12.0	160.0	65.0	50.0	60.0
14.0	160.0	65.0	50.0	60.0
16.0	160.0	65.0	50.0	60.0
18.0	160.0	65.0	50.0	60.0
20.0	146.0	65.0	50.0	60.0
22.0	132.0	65.0	50.0	60.0
24.0	119.0	65.0	50.0	60.0
26.0	107.5	65.0	50.0	60.0
28.0	98.5	65.0	50.0	60.0
30.0	90.5	65.0	50.0	60.0
32.0	83.5	65.0	50.0	60.0
34.0	77.5	65.0	50.0	56.0
36.0	72.0	65.0	50.0	52.5
38.0	67.5	63.0	50.0	49.0
40.0	63.0	60.0	50.0	46.0
42.0	59.0	57.0	50.0	43.5
44.0	55.0	54.0	50.0	41.0
46.0	51.5	51.0	50.0	39.0
48.0	48.0	48.0	48.0	37.0
50.0	45.0	45.0	45.0	35.0
52.0	42.5	42.5	42.5	33.0
53.0	41.0	41.0	41.0	32.0
54.0	40.0	38.0	38.0	30.0



Other dimensions, lifting capacities, working speeds and equipments are available on request.



**CONTACT**

Tel. +39 - (0) 35.49.32.411  
 Fax +39 - (0) 35.49.32.409  
 info@italgru.com / www.italgru.com