

JCB LOADALLS | 506C, 506C HL, 508C SPEC



**LIFT AND PLACE
TELESCOPIC
HANDLERS**



**Construction
Equipment**





JCB TELESCOPIC HANDLER | 506C

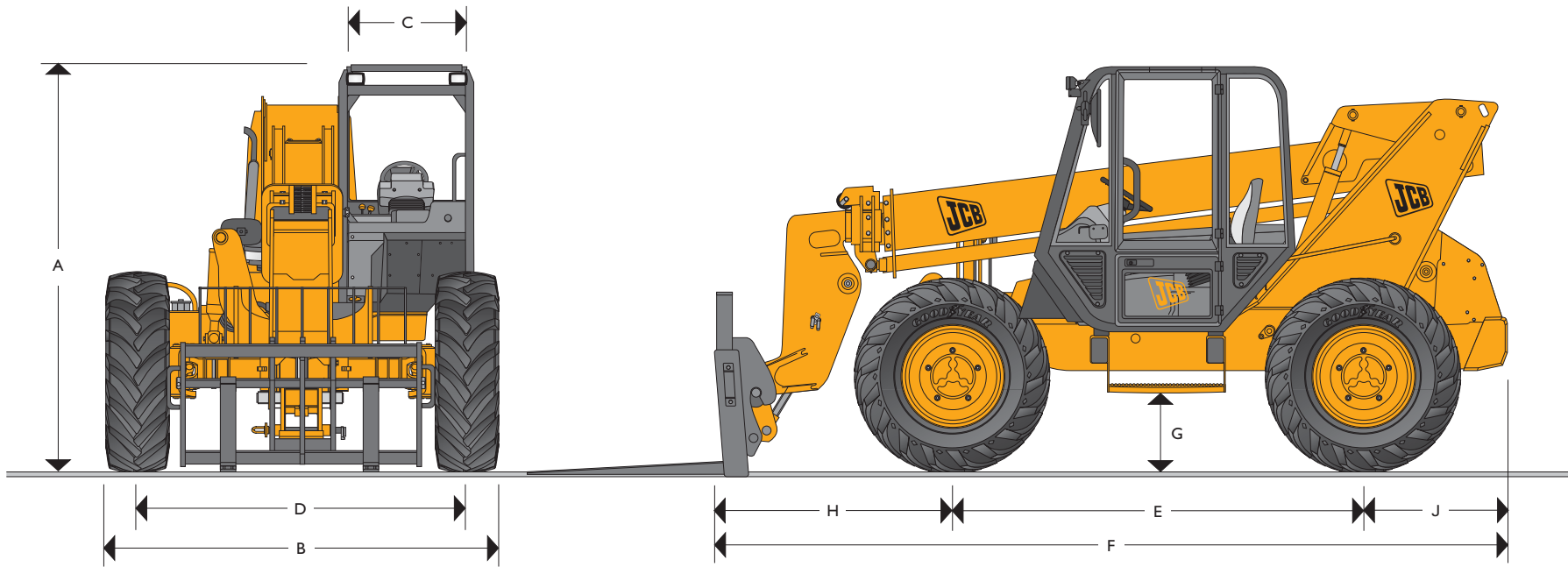


MAX. PAYLOAD:

6000lbs (2722kg)

MAX. LIFT HEIGHT:

36ft 0in (11.0 meters)



JCB TELESCOPIC HANDLER | 506C

STATIC DIMENSIONS

Machine model	506C
	ft-in (m)
A Overall height	8-8 (2.67)
B Overall width (over tires)*	7-8 (2.34)
C Inside width of cab	3-0 (0.93)
D Front track	6-3 (1.92)
E Wheelbase	9-2 (2.78)
F Overall length to front carriage	17-6 (5.34)

Machine model	506C
	ft-in (m)
G Ground clearance	1-4 (0.41)
H Front wheel center to carriage	4-4 (1.34)
J Rear wheel center to rear face	4-0 (1.22)
Outside turn radius (over tires)	13-6 (4.12)
Weight	21040 (9543)
Tires	13.00x24

*Dependant upon tire specified.

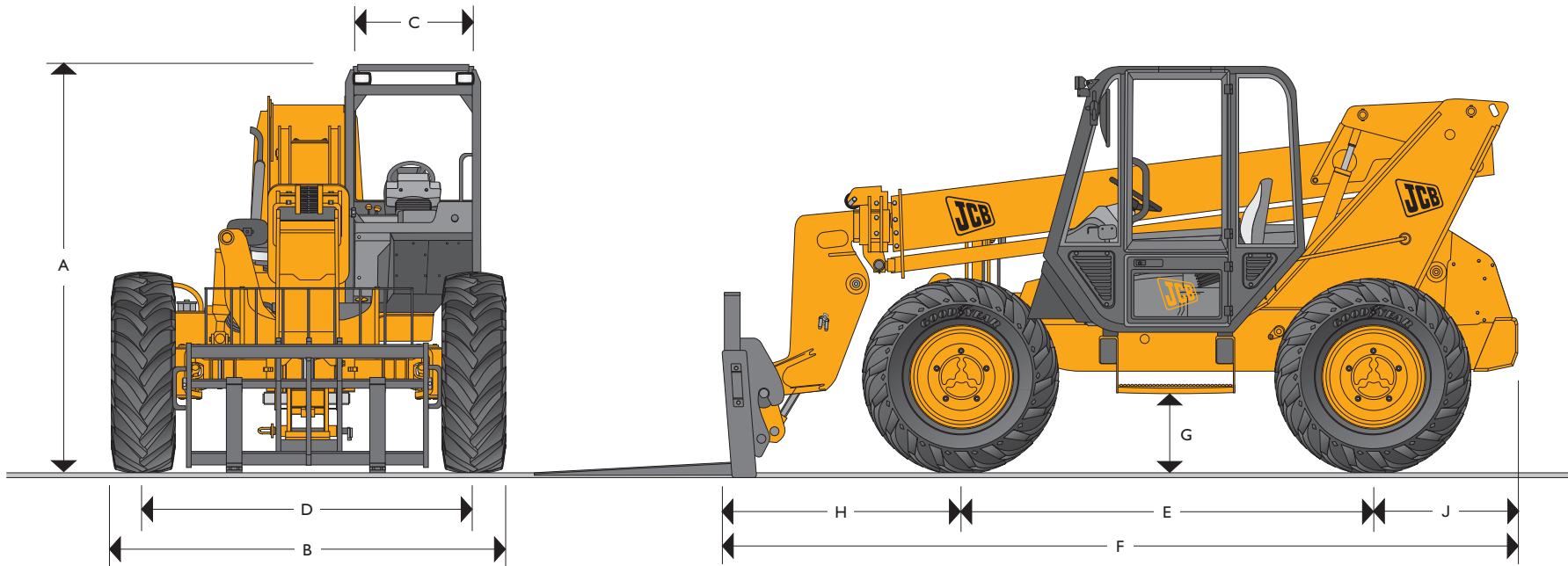
Helping You Get the Job Done!



JCB TELESCOPIC HANDLER | 506C HL



MAX. PAYLOAD: 6000lbs (2722kg)
 MAX. LIFT HEIGHT: 42ft 0in (12.8 meters)



STATIC DIMENSIONS

Machine model	506C HL
	ft-in (m)
A Overall height	8-8 (2.67)
B Overall width (over tires)*	8-1 (2.46)
C Inside width of cab	3-0 (0.93)
D Front track	6-7 (2.00)
E Wheelbase	9-10 (2.99)
F Overall length to front carriage	20-1 (6.12)

Machine model	506C HL
	ft-in (m)
G Ground clearance	1-4 (0.41)
H Front wheel center to carriage	5-6 (1.72)
J Rear wheel center to rear face	4-6 (1.40)
Outside turn radius (over tires)	14-8 (4.47)
Weight	lb (kg) 22020 (10009)
Tires	13.00x24

*Dependant upon tire specified.

JCB TELESCOPIC HANDLER | 506C HL



JCB TELESCOPIC HANDLER | 508C

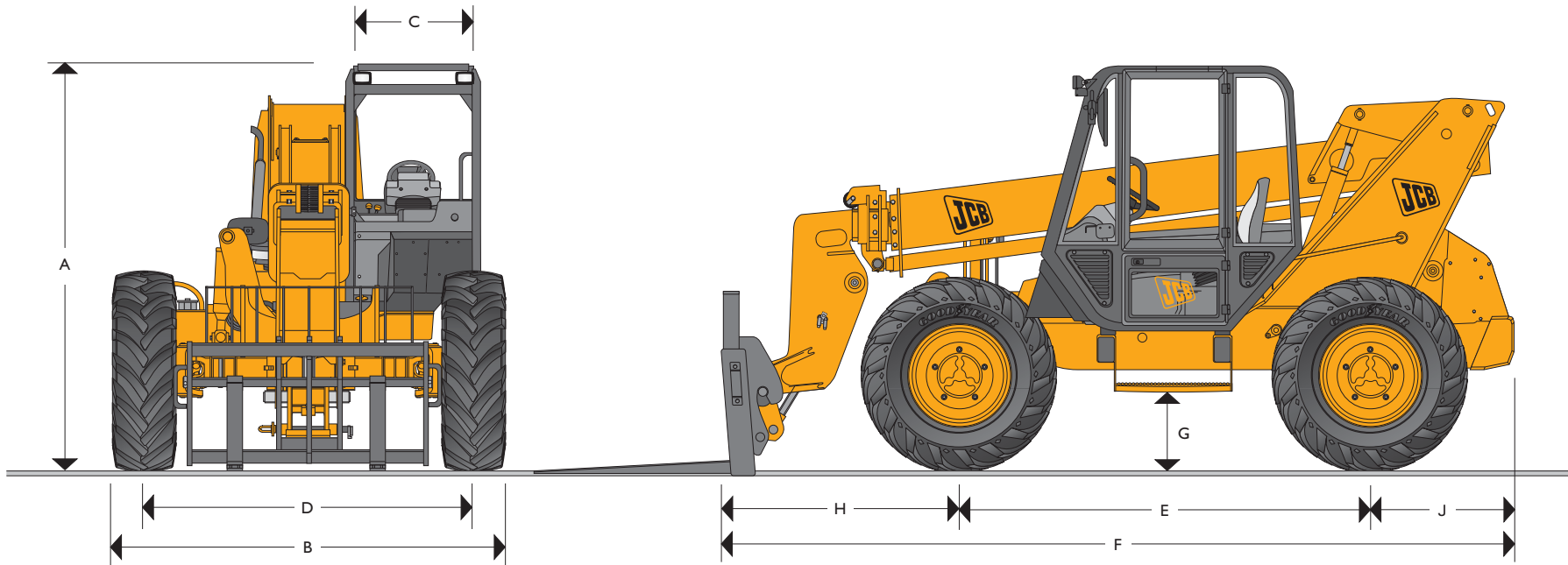


MAX. PAYLOAD:

8000lbs (3628kg)

MAX. LIFT HEIGHT:

41 ft 6in (12.6 meters)



JCB TELESCOPIC HANDLER | 508C

STATIC DIMENSIONS

Machine model	508C
	ft-in (m)
A Overall height	8-8 (2.67)
B Overall width (over tires)*	8-1 (2.46)
C Inside width of cab	3-0 (0.93)
D Front track	6-7 (2.00)
E Wheelbase	9-10 (2.99)
F Overall length to front carriage	20-1 (6.10)

Machine model	508C
	ft-in (m)
G Ground clearance	1-4 (0.41)
H Front wheel center to carriage	5-5 (1.68)
J Rear wheel center to rear face	4-7 (1.43)
Outside turn radius (over tires)	14-8 (4.50)
Weight	25225 (11466)
Tires	13.00x24

*Dependant upon tire specified.

Helping You Get the Job Done!



JCB TELESCOPIC HANDLER | 506C / 506C HL / 508C



JCB TELESCOPIC HANDLER | 506C / 506C HL / 508C

JCB DIESELMAX ENGINE

Latest technology and advanced design provides low fuel consumption, reduced noise, high torque and power output, total reliability and minimal maintenance.

Two-stage, dry type air filter with primary and safety elements.

Machine Model		506C / 506C HL (Std.)	506C HL (Opt.) / 508C
Displacement	in ³ (ltr)	269 (4.4)	269 (4.4)
No. of cylinders		4	4
Bore size	in (mm)	4.05 (103)	4.05 (103)
Stroke	in (mm)	5.0 (132)	5.0 (132)
Aspiration		Naturally aspirated	Turbo
Power rating			
Power @ 2200rpm	Gross HP (kW)	84.5 (63.0)	100 (74.2)
Torque rating			
Torque @ 1200rpm	lbf ft (Nm)	236 (320)	
Torque @ 1300rpm	lbf ft (Nm)		313 (425)

TRANSMISSION

JCB transmission incorporating torque converter, 4 speed synchroshuttle gearbox in one resiliently mounted unit. JCB powershift transmission optional. Travel speed 15.5mph (25kph).

Front and rear drive axles: JCB epicyclic hub reduction drive/steer axles with Max-Trac torque proportioning differentials. Permanent 4 wheel drive.

BRAKES

Service brakes: Servo-assisted-hydraulically activated, self-adjusting, oil-immersed multi-disc type on front and rear axle.

Parking brake: Hand operated disc brake on output of gearbox.

BOOM AND CARRIAGE

Boom is manufactured from high tensile steel.

Low maintenance, hard wearing pads.

JCB Toolcarrier for quick attachment changes.

One boom end auxiliary hydraulic service fitted as standard.

SAFETY CHECK VALVES

Fitted to carriage tilt, telescopic and boom lift rams.

SERVICE CAPACITIES

Fuel tank	US gal (ltrs)	35 (132)
Hydraulic tank	US gal (ltrs)	32 (121)
Coolant	US gal (ltrs)	6.2 (23.5)

HYDRAULICS

		506C	506CHL	508C
Two stage gear pump with suction strainer and filter.				
Operating system pressure	psi (bar)	3500 (241)	3500 (241)	3500 (241)
Pump flow	US gal/min (ltrs/min)	29.11 (110)	29.11 (110)	29.11 (110)
Hydraulic Cycle Times				
Boom raise	Seconds	13.6	12.8	12.8
Boom lower	Seconds	9.1	7.6	8.3
Extend	Seconds	10.4	10.9	10.2
Retract	Seconds	12.2	10.9	9.8
Bucket dump	Seconds	4.2	3.6	4.2
Bucket crowd	Seconds	3.8	3.1	3.1

ELECTRICS

12 v negative ground. 940 CCA battery. 95 amp alternator. Reverse alarm.

CAB

Quiet, safe and comfortable cab conforms to ROPS ISO 3471 and FOPS ISO 3449. Tinted glass all round with laminated roof glass. Roof bars, front, rear and roof glass with wash/wipe and heater/defroster. Opening rear window. Audio-visual warning system for coolant temperature, engine oil pressure, air cleaner, battery charge, transmission oil temperature and pressure. Hourmeter and road speed indicator. Engine temperature and fuel gauge. Joystick control lever. Adjustable steering column incorporates forward/reverse shuttle lever. Throttle and brake pedal. Adjustable suspension seat with adjacent mechanically actuated park brake. Includes leveling inclinometer. Safety canopy as above but with side glass and roof glass only (wiper and heater/defroster not applicable).

STEERING

Hydrostatic power steering.

Three steer mode options: front wheel steer; all wheel steer; crab steer: operated from in the cab by a selection lever.

OPTIONS AND ACCESSORIES

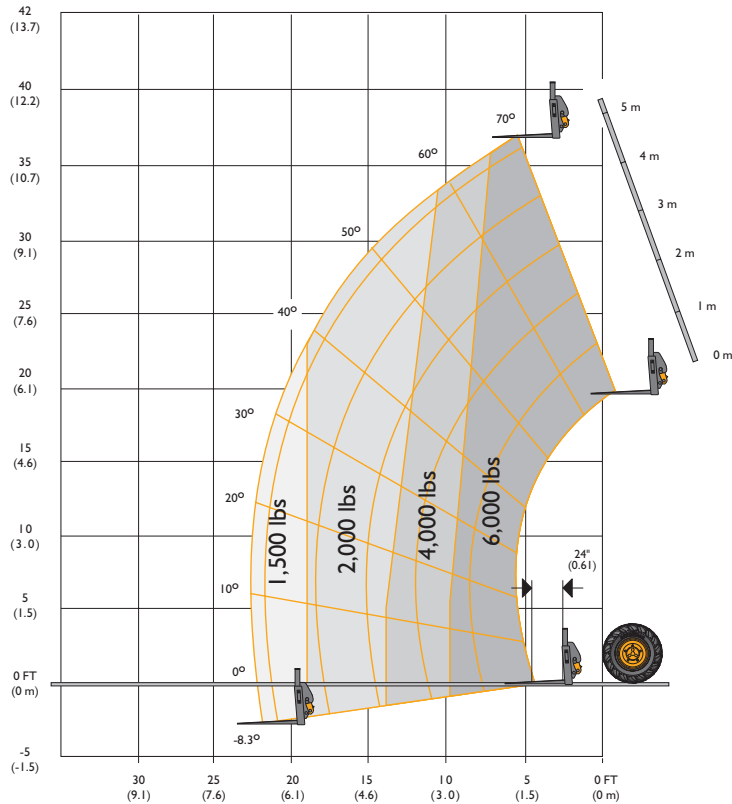
Options: Front and rear work lights, industrial tires, windshield and roof guard, radio kit, block heater.

Attachments: Contact your local dealer for details of the comprehensive range.

Helping You Get the Job Done!



LIFT PERFORMANCE 506C



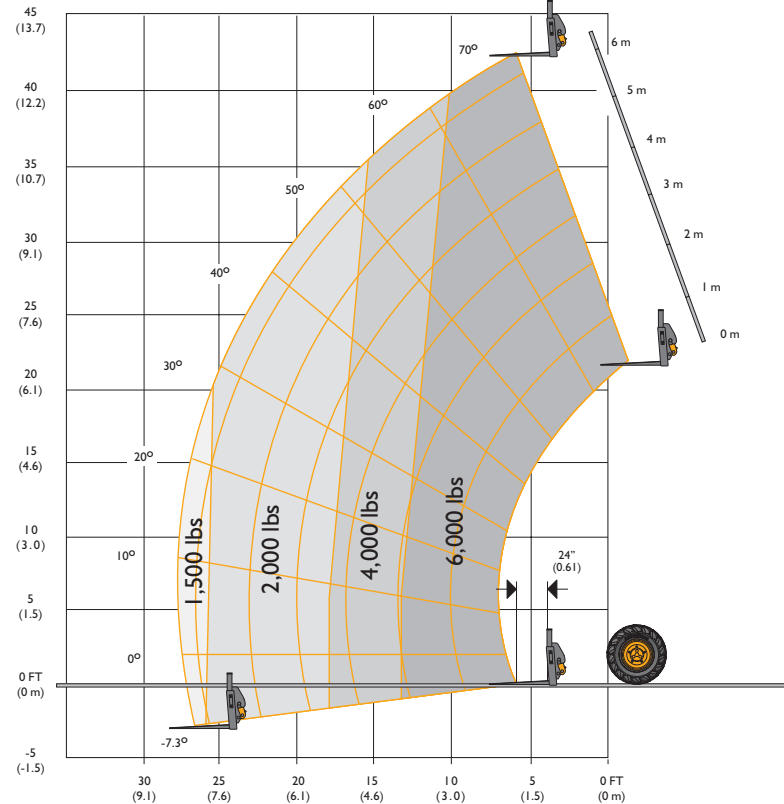
Chassis Levelling (Sway)

Maximum lift capacity	lb (kg)	6000 (2722)
Lift capacity to full height	lb (kg)	6000 (2722)
Lift capacity at full reach	lb (kg)	1500 (680)
Lift height	ft-in (m)	36-0 (11.0)
Reach at maximum lift height	ft-in (m)	5-5 (1.65)
Maximum forward reach	ft-in (m)	22-9 (7.0)

Complies with stability test ASME B56.6 1992.

Performance shown with forks. Contact dealer for performance with other attachments.

LIFT PERFORMANCE 506C HL



Chassis Levelling (Sway)

Maximum lift capacity	lb (kg)	6000 (2722)
Lift capacity to full height	lb (kg)	6000 (2722)
Lift capacity at full reach	lb (kg)	1500 (680)
Lift height	ft-in (m)	42-0 (12.80)
Reach at maximum lift height	ft-in (m)	5-11 (1.80)
Maximum forward reach	ft-in (m)	27-5 (6.93)

Complies with stability test ASME B56.6 1992.

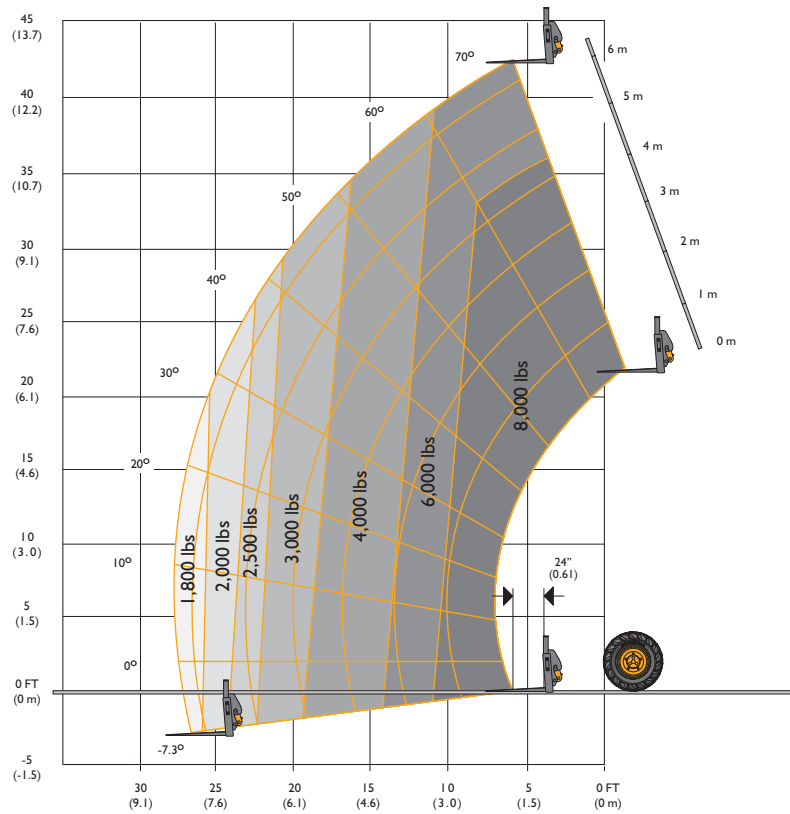
Performance shown with forks. Contact dealer for performance with other attachments.



JCB TELESCOPIC HANDLER | 508C



LIFT PERFORMANCE



Chassis Levelling (Sway)

LIFT PERFORMANCE

Maximum lift capacity	lb (kg)	8000 (3636)
Lift capacity to full height	lb (kg)	6000 (2722)
Lift capacity at full reach	lb (kg)	1800 (816)
Lift height	ft-in (m)	41-6 (12.6)
Reach at maximum lift height	ft-in (m)	5-11 (1.80)
Maximum forward reach	ft-in (m)	27-4 (8.30)

Complies with stability test ASME B56.6 1992.

Performance shown with forks. Contact dealer for performance with other attachments.

JCB TELESCOPIC HANDLER | 508C

Helping You Get the Job Done!



JCB TELESCOPIC HANDLER | 506C / 506C HL / 508C



JCB TELESCOPIC HANDLER | 506C / 506C HL / 508C

A GLOBAL COMMITMENT TO QUALITY

JCB's total commitment to its products and customers has helped it grow from a one-man business into the World's 5th largest manufacturer of backhoe loaders, crawler excavators, wheeled excavators, telescopic handlers, wheel loaders, dump trucks, rough terrain fork lifts, industrial fork lifts, mini/midi excavators, skid steer loaders and tractors.

By making constant and massive investments in the latest production technology, the JCB factories have become some of the most advanced in the World.

By leading the field in innovative research and design, extensive testing and stringent quality control, JCB machines have become renowned all over the world for performance, value and reliability.

And with a global sales and service network of over 400 distributors and agents, the company exports over 70% of its production to all five continents.

Through setting the standards by which others are judged, JCB has become one of Britain's most impressive success stories.



1474

JCB Headquarters Savannah, 2000 Bamford Blvd., Pooler, GA 31322. Tel: 912.447.2000. Fax: 912.447.2299. www.jcb.com

JCB reserves the right to change design, materials and/or specifications without notice. Specifications are applicable to units sold in the United States and Canada. The JCB logo is a registered trademark of J C Bamford Excavators Ltd.

USA ????????

Helping You Get
the Job Done!