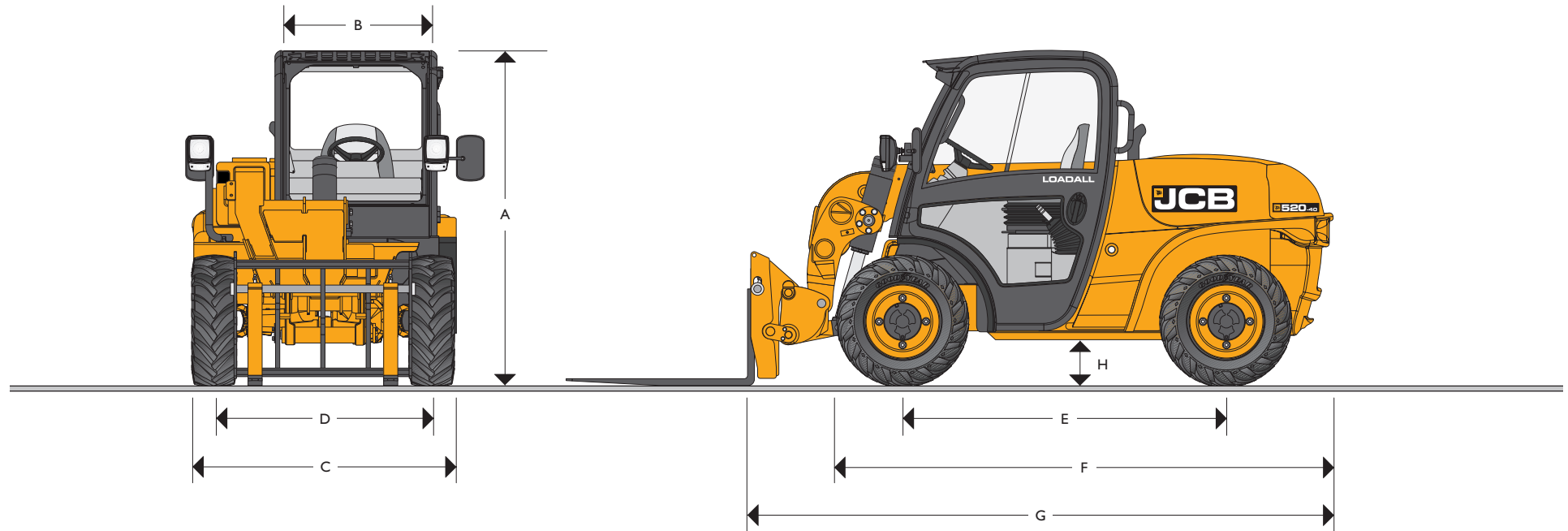


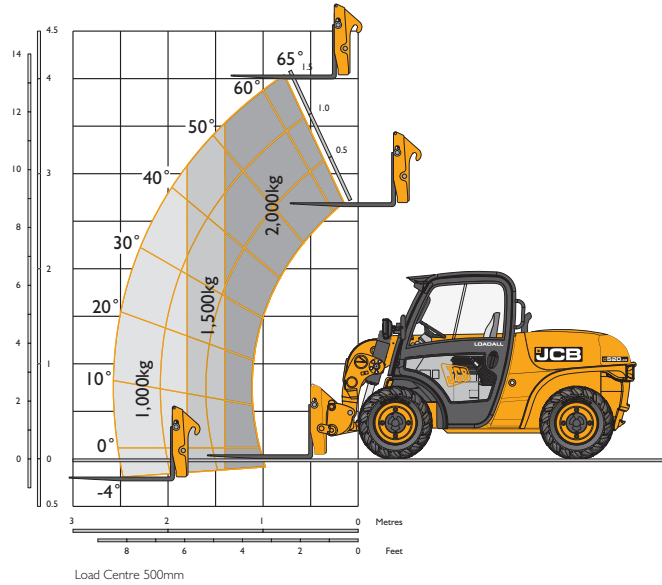
MAX. PAYLOAD: 2.0 tonnes (4409lb) MAX. LIFT HEIGHT: 4 metres (13ft 1in) MAX. HORSEPOWER: 37.5 kW (50hp)



### STATIC DIMENSIONS

| Machine model                         | 520-40      | Machine model                | 520-40             |
|---------------------------------------|-------------|------------------------------|--------------------|
|                                       | m (ft-in)   |                              | m (ft-in)          |
| A Overall height                      | 1.97 (6-6)  | H Ground clearance           | 0.27 (0-11)        |
| B Inside width of cab                 | 0.92 (3-0)  | Outer turn radius over tyres | 3.05 (10-0)        |
| C Width over tyres (min)              | 1.56 (5-1)  | Weight                       | 4400 (9700)        |
| D Front track                         | 1.29 (4-3)  | Tyres                        | 10x16.5 12 ply     |
| E Wheel base                          | 1.90 (6-3)  |                              | 12x16.5 10 ply     |
| F Overall length to front of tyres    | 2.92 (9-6)  |                              | 11.5/80x15.3 8 ply |
| G Overall length to front of carriage | 3.38 (11-1) |                              |                    |

LIFT PERFORMANCE



LIFT PERFORMANCE

| Machine Model                | Compact Tool Carrier   | Skid Steer Tool Carrier |
|------------------------------|------------------------|-------------------------|
|                              | 520-40                 | 520-40                  |
| Lift capacity at full height | kg (lb) 2000 (4408)    | 2000 (4408)             |
| Lift capacity at full reach  | kg (lb) 1000 (2204)    | 1000 (2204)             |
| Max. lift height             | mm (ft-in) 4035 (13-3) | 4025 (13-2)             |
| Reach at max. lift height    | mm (ft-in) 890 (2-11)  | 815 (2-8)               |
| Maximum reach forward        | mm (ft-in) 2590 (8-6)  | 2515 (8-4)              |

LOADER PERFORMANCE

| Machine Model                   | Compact Tool Carrier   | Skid Steer Tool Carrier |
|---------------------------------|------------------------|-------------------------|
|                                 | 520-40                 | 520-40                  |
| Shovel rated capacity           | m <sup>3</sup> 0.7     | 0.5                     |
| Breakout force                  | kN (kg) 36 (3700)      | 33 (3390)               |
|                                 | kg (lb) 3700 (8157)    | 3400 (7495)             |
| Dump height (max)               | mm (ft-in) 3555 (11-8) | 3500 (11-7)             |
| Dump angle at max height        | degrees 33             | 40                      |
| Loadover height (max)           | mm (ft-in) 4015 (13-1) | 4015 (13-1)             |
| Rollback angle at ground        | degrees 38             | 31                      |
| Carriage rotation angle (total) | degrees 140            | 140                     |
| Bucket width                    | mm (ft-in) 1750 (5-8)  | 1730 (5-7)              |

## ENGINE

|                                |            | 520-40                       |
|--------------------------------|------------|------------------------------|
| Model                          |            | Perkins Diesel 404D-22       |
| Displacement                   | litres     | 2.2                          |
| Fuel                           |            | Diesel                       |
| Cooling                        |            | Liquid                       |
| Bore                           | mm         | 84                           |
| Stroke                         | mm         | 100                          |
| <b>Gross power @ 2800 rpm</b>  |            |                              |
| ISO 14396                      | kW (hp)    | 37.5 (50)                    |
| <b>Gross torque @ 1300 rpm</b> |            |                              |
| ISO 14396                      | Nm (lb/ft) | 143 (105.47)                 |
| Emission certification         |            | EC Stage IIIA/USA EPA Tier 3 |
| Engine oil service intervals   |            | 500 hours                    |

## TRANSMISSION

Hydrostatic transmission.

Closed loop variable displacement piston pump and 2 speed bent axis motor.

Transmission inching facility on operation of a combined inching and braking pedal.

**Front and rear drive axles:** Epicyclic hub reduction type with mid mounted drop box. Permanent 4WS and 4WD.

- Rear axle oscillation.
- Optional front and rear limited slip diff axles.
- Travel speed 20kph

## BRAKES

**Service brake:** Hydraulically activated, disc brake on the transmission output shaft.

**Parking brake:** Manually operated disc brake on the transmission output shaft.

## BOOM AND CARRIAGE

Boom is manufactured from high tensile steel.

Low maintenance, hard wearing pads.

JCB tool carrier parallel lift carriage with manual or hydraulic pin locking, accepts forkframe with integral pallet forks and a wide range of attachments.

**Compact Tool Carrier:** Compact Loadall compatibility.

**Skid Steer Tool Carrier:** Skid steer universal compatibility hitch.

## SERVICE CAPACITIES

|                | litres (UK gal) |
|----------------|-----------------|
| Fuel tank      | 61 (13.4)       |
| Hydraulic tank | 33 (7.3)        |
| Coolant        | 8 (1.8)         |

## ELECTRICS

12 V negative earth, 75 AH heavy duty battery, 65 amp alternator. Full road lighting, directive indicators, hazard warning.

## HYDRAULICS

| Machine model                       |           | 520-40     |
|-------------------------------------|-----------|------------|
| Operating system pressure           | bar (psi) | 250 (3626) |
| Flow at system pressure (@ 2800rpm) | ltr/min   | 60         |
| Cycle times                         |           | seconds    |
| Boom raise                          |           | 5.8        |
| Boom lower                          |           | 4          |
| Extend                              |           | 5.7        |
| Retract                             |           | 4          |
| Bucket dump                         |           | 3.7        |
| Bucket crowd                        |           | 3.2        |

## SAFETY CHECK VALVES

Fitted to crowd, extension and lift rams.

## CAB

Quiet, safe and comfortable cab conforms to ROPS ISO3471 and FOPS ISO 3449. Tinted glass all round with laminated front and roof screen. Front, rear screen wash/wipe and heater/screen demister. Opening door window. Visual warning system for coolant temperature, engine oil pressure, air cleaner, battery charge, transmission oil pressure, engine temperature, fuel gauge and hourmeter.

Boom control lever incorporating forward/reverse switch. Throttle and brake pedals floor mounted. Adjustable deluxe suspension seat with side mounted park brake lever. Automatic eye level audio-visual load moment indicator warning system receiving a signal from a load sensor on the rear axle.

This system continuously monitors the machine's forward stability and leaves the operator in control at all times.

## STEERING

Full power hydrostatic steering. Permanent 4WS with 32° lock front and rear axles provides exceptional manoeuvrability.

## OPTIONS AND ACCESSORIES

**Options:** Work lights, rotating flashing beacon, fire extinguisher, limited slip diff front and rear axles, screen guard, sun blind, mechanical or hydraulic Compact tool carrier and Skid Steer tool carrier, battery isolator.

**Attachments:** Contact your local dealer for details of the comprehensive range.

## A GLOBAL COMMITMENT TO QUALITY

JCB's total commitment to its products and customers has helped it grow from a one-man business into Britain's largest privately owned manufacturer of backhoe loaders, crawler excavators, wheeled excavators, telescopic handlers, wheeled loaders, dump trucks, rough terrain fork lifts, industrial fork lifts, mini/midi excavators, skid steer loaders, tractors and compaction equipment.

By making constant and massive investments in the latest production technology, the JCB factories have become some of the most advanced in the world.

By leading the field in innovative research and design, extensive testing and stringent quality control, JCB machines have become renowned all over the world for performance, value and reliability.

And with a global sales and service network of more than 650 dealers and agents, we aim to deliver the best customer support in the industry.

Through setting the standards by which others are judged, JCB has become one of the world's most impressive success stories.

