

MC45S

ELECTRIC BATTERY OPERATED RADIO CONTROLLED CRANE
MAX CAPACITY 9,900 lbs



Pick&Carry Cranes

Edition 01/2016
© 2016 JMG Cranes srl. All rights reserved



JMG Cranes s.r.l. a socio unico

“Società sottoposta ad attività di direzione e coordinamento di Compart Italia srl”

Sede Legale: Via Dante, 15 - 26100 CREMONA | Uffici e stabilimento: Via Sito Nuovo, 14 - 29010 Sarnato - PC - Italy
C.F. e p.iva 05896090965 | Capitale Sociale Euro 84.000,00 i.v.
T +39 0523 8486 | F. +39 0523 848000 | E. info@jmgcranes.com | www.jmgcranes.com



MC45S 9,900 lbs

DRIVING:	Front by nr. 2 electric motors 3,5kW 48V AC, insulation class H
BATTERY:	48V 560Ah. LED battery meter indicator and electrolyte level indicator on dashboard Autonomy: 8 working hours
BRAKES:	Automatic braking system on all wheels
HYDRAULIC SYSTEM:	Powered by a silenced gear pump (9kW). Actuators controlled by an electro distributor operated by radio control, filter and safety valve. 22 MPa working pressure
RADIO REMOTE CONTROL:	On all: crane, boom and accessories (when present) movements
FRAME:	Fabricated from preformed and welded quality steel plate
WHEELS:	Front nr. 2 superelastic 23x10-12" Rear nr. 2 superelastic 18x7-8"
BOOM:	4 elements boom, fully hydraulically telescoping, fabricated by preformed and welded quality steel plate. Boom angle +60°/-15°
REMOVABLE COUNTERWEIGHT:	Designed for a fast assembly and disassembly and to optimise the load on axles and the ground pressure
STEERING:	90° + 90° rear steering by electric motor. Counter rotation system on front wheels
MOTOR PUMP:	Electric pump 9kW 48V AC, insulation class H
L.M.I.:	Electronic load moment indicator system complying to CE safety standards, complete with display showing: load lifted, maximum admitted load, tilting percentage, operating radius, angle, outreach and complete with warning lights of the operating status
WEIGHT:	lbs 10,560 including lbs 2,970 lbs of removable counterweight.
OPTIONS ON REQUEST:	Hydraulic winch, manually or hydraulically bending jibs, men basket, chain hoist, fork attachment, on board battery charger, watering system for battery, ATEX conversions, customer color, non-marking tires
CRANE CLASSIFICATION ACCORDING TO UNI ISO 4301-1:	A3
EU STANDARDS CE:	2006/42 CE MD - 2004/108 CE EMC - 2006/95 CE LVD - 2000/14 CE and subsequent modifications
REFERENCE STANDARDS:	EN 13000: 2010 UNI ISO 4301-2:2011 and subsequent modifications



COMPONENTS ACCESSIBILITY



RADIO REMOTE CONTROL

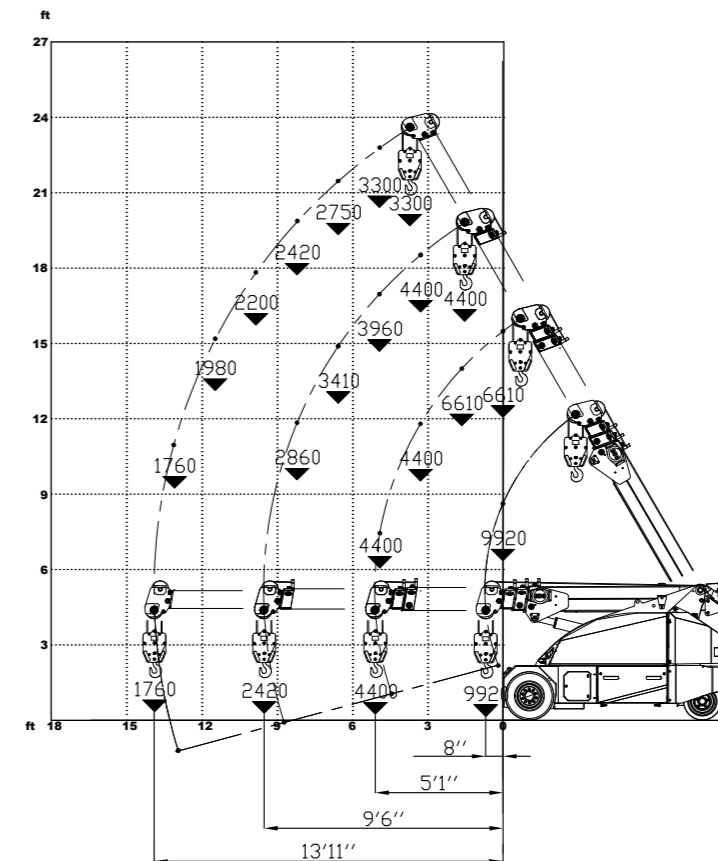


DOUBLE ROTATING STEERING WHEEL



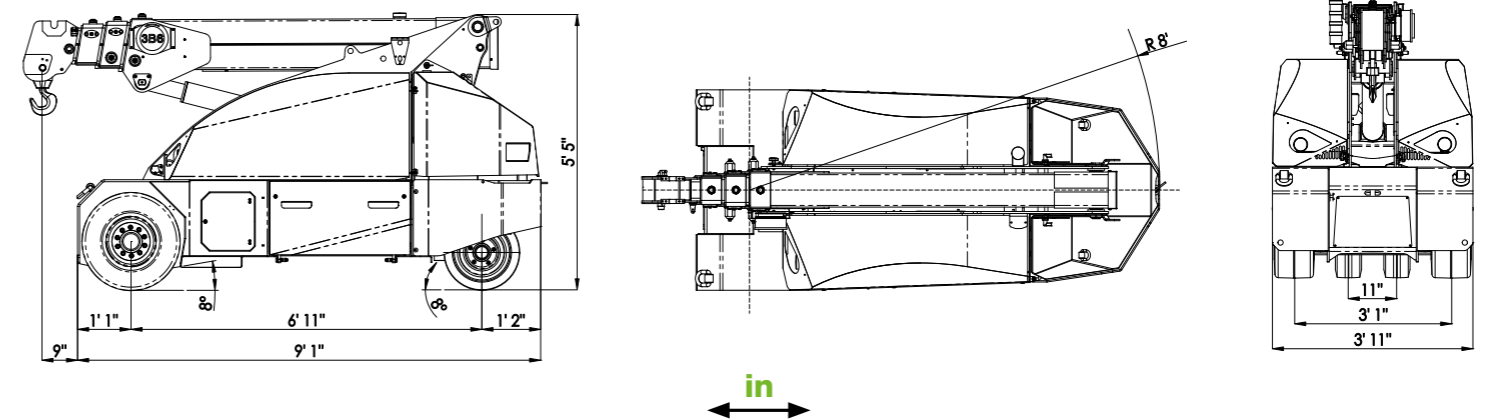
DASHBOARD

LOAD CHART HYDRAULIC WINCH



in-lbs

DIMENSIONS



in