

550K/650K CRAWLER DOZERS

69–78 kW (92–104 hp)



JOHN DEERE





All our K-Series Dozers benefit from John Deere WorkSight™. This comprehensive suite of technology increases uptime and productivity while lowering operating costs. JDLink™ Ultimate machine monitoring provides real-time machine-utilization and -health data, plus location information. Machine-health prognostics proactively suggest maintenance to correct problems before they create costly downtime. And remote diagnostics and programming enable your dealer to read and reset diagnostic codes, record performance data, and even update software without a trip to the job-site. You can also easily add your preferred grade-control system with optional Integrated Grade Control (IGC), or opt for a Topcon 3D-MC² system installed at the factory.

We hear you loud and clear.

When customers sound off, we listen. So when our Customer Advocate Group (CAG) participants asked us to turn down the noise and turn up productivity on our 550K and 650K Crawlers, we responded with a spacious, redesigned cab that's noticeably quieter. And a more powerful IT4/Stage IIIB diesel. There's more to like in the K-Series — such as a hydraulic-driven fan that provides efficient cooling, reduces noise, and conserves precious fuel. And a convenient sealed-switch module for fingertip control of numerous one-of-a-kind features. We also include Ultimate Uptime featuring John Deere WorkSight™ in base. You get pre-delivery and follow-up inspections, plus three years of JDLink™ Ultimate telematics, machine-health prognostics, and remote diagnostics and programming. You can work with your John Deere dealer to add other uptime services that meet the needs of your operation, too.

Our EPA Interim Tier 4 (IT4)/EU Stage IIIB technology is simple, fuel efficient, fully integrated, and fully supported. It employs field-proven cooled exhaust gas recirculation (EGR) for reducing NO_x, and a diesel particulate filter (DPF) and diesel oxidation catalyst (DOC) to reduce particulate matter.

At just 75 dBA, the redesigned cab is noticeably quiet. Spacious and comfortable, too.

Variable-speed on-demand fan automatically speeds up or slows down, operating only as needed to keep things cool.

Total Machine Control (TMC) enables an operator to easily customize operating characteristics and machine response — for familiar operation and predictable control.

Specifications	550K XLT/LGP		650K XLT/LGP	
Rated Power	69 kW (92 hp)		78 kW (104 hp)	
Base Weight	550K XLT	550K LGP	650K XLT	650K LGP
	8750 kg (19,290 lb.)	9195 kg (20,272 lb.)	8890 kg (19,599 lb.)	9355 kg (20,624 lb.)



Pushes envelopes, too.

Power turns. Counterrotating tracks. Power management. Infinitely variable travel speeds. We introduced these productivity-boosting advantages more than 35 years ago. And the K-Series is loaded with even more performance enhancements. Like Total Machine Control (TMC). Standard on all of our K-Series Crawlers, this performance-enhancing feature provides customized decelerator mode and response, forward/reverse ground-speed ranges, steering modulation, and more. It enables your operators to do their best, by being themselves.



These crawlers steer the same and maintain their preset speed whether working on level ground or a 2-to-1 slope. So there's never a need to cross-steer or ride a brake.

Infinitely variable range to 8 km/h (5 mph) allows total flexibility to match ground speed to the load. Travel can also be varied to fit specific applications, terrain conditions, or operating preferences — and even limited to maximize undercarriage life.

With optional Integrated Grade Control (IGC), wiring harnesses, sensor mounts, control valves, and monitor bracket are factory installed. So adding your preferred grade-control system is easy. Simply plug in the components, calibrate, and go to work.

1. Blade ratio and center of gravity are optimized, providing the balance needed for superior grade work. More track on the ground and an additional bottom roller give the 550K and 650K even better balance and grading ability than their predecessors.
2. Simply set maximum desired ground speed and the power-management system automatically maintains peak engine rpm and power efficiency without stalling or shifting.
3. Counterrotation boosts productivity by enabling an operator to overcome heavy corner loads and quickly reposition the blade on the go. Provides space-saving spot turns, too.



Your silent partners.

K-Series Dozers quietly go about the business of making your operators more comfortably productive. Inside their spacious, well-appointed cabs, you can almost hear fatigue drop. With plenty of tinted glass, all-around visibility is best in class. Ergonomically designed FNR joystick, steering pedals, and decelerator are fully customizable through the monitor. And the sealed-switch module allows convenient fingertip operation of keyless start and numerous other functions. You'll discover everything your operators need to get more done in a 550K or 650K Dozer.

Standard high-back air-suspension seat and optional deluxe heated and leather-bolstered lower cushion adjust multiple ways for daylong comfort and support. Arm- and footrests also adjust.

Cab-forward design provides a commanding view behind, below, and beyond the blade. Side and rear visibility is also unobstructed.

Generous hydraulic flow and precise metering ensure powerful and quick blade response, while providing the natural "feel" that makes the most of an operator's grading ability.

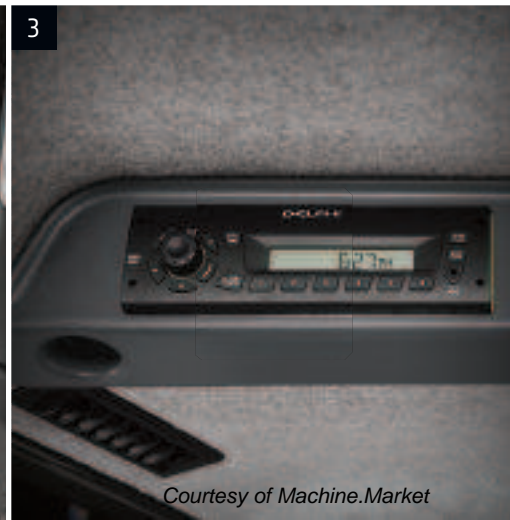
Retractable seat belt, slip-resistant floor mat, convenient grab bars, neutral-start lever, and dual park-lock levers help keep the operator out of harm's way.

Single lever provides low-effort control of steering, forward/reverse travel, and ground speed. It's also detented so it doesn't require an operator's constant touch or attention, and employs a thumb-actuated travel-speed switch.

Highly efficient HVAC system and numerous directional vents keep the view clear and the cab comfortable.

High-intensity halogen driving lights are standard. Or opt for the 360-deg. light package to extend your workday beyond daylight.

Isolation cab mounts and extensive insulation effectively separate operators from vibration and noise.






1. Sealed-switch module allows low-effort control of keyless start, and enables exclusive features such as turbocharger cool-down and auto shutdown. Touchpad security system requires a numeric pass code (when enabled) to help prevent unauthorized machine operation.
2. Operators will find plenty of space to stow beverages, a cooler, and other carry-ons. The lockable in-dash compartment is ideal for storing — or permanent placement — of a grade-control monitor.
3. Overhead radio and storage console includes a 12-volt electrical outlet for powering a cell phone or an iPod®.

1. Available Maximum Life Undercarriage delivers up to twice the bushing life, for extra durability in extremely abrasive conditions. If you want to further reduce maintenance and operating costs, contact your John Deere dealer about our undercarriage wear-assurance programs.
2. Closed-cell blade design and robot-welded, fabricated, box-section C-frame is strong and durable. Heavy-duty ball-and-socket joint resists material buildup for long-term grading precision.
3. Available reversing hydraulic-powered fan automatically back-blows the cooler cores at preset intervals. When conditions demand more frequent cleaning, simply press a button to actuate the reversing cycle.



550K and 650K Dozers feature Ultimate Uptime featuring John Deere WorkSight™ in base. Ultimate Uptime's standard features include the exclusive capabilities of John Deere WorkSight that tell you and your dealer what your machine needs to provide more uptime. But it doesn't end there. After listening to thoroughly understand your needs, your dealer will suggest additional services and create a customized solution that optimizes your uptime based on the needs of your business.



Transmission temperature is constantly monitored to protect the hydrostatic system. If temps get too hot or too cold, a warning light illuminates, and the transmission and engine speed are automatically derated to prevent damage.

Exclusive turbo cool-down increases durability by allowing the engine to idle momentarily prior to shutting down.

Heavy-duty high-pressure hoses connect the pumps and motors that form the drivetrain. O-ring face-seal couplings virtually eliminate leaks.

Engine, hydrostatic pumps, and hydraulic pump are bolted to a sub-frame, forming an easy-to-remove powertrain package. It's attached to the mainframe on rubber mounts to isolate vibration and reduce noise.

Individually replaceable wet-sleeve engine-cylinder liners provide uniform engine cooling and long-term durability.

One-piece welded mainframe resists torsional stress, absorbs shock loads, and delivers maximum strength while allowing easy service access to major components.

Triple-reduction planetary final drives are mounted independent of the track frames, where they're effectively protected from shock loads.

Nothing runs like a Deere, because nothing is built like it.

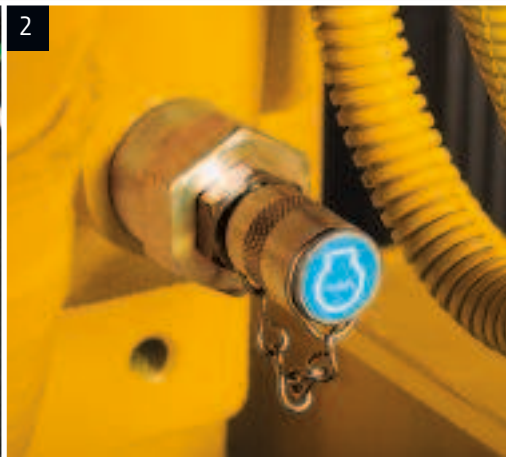
Designed and built with state-of-the-art tools and techniques by a quality-conscious workforce at our world-class facility in Dubuque, Iowa, the 550K and 650K are loaded with uptime-boosting features. Enhancements include a variable-speed hydraulic-driven cooling-system fan, turbo cool-down, automatic transmission protection, and available severe-duty fuel filter. These, plus traditional John Deere features such as one-piece unitized mainframes, Dura-Trax™ undercarriages, wet-sleeve engine liners, O-ring face-seal hose couplers, and isolated planetary final drives deliver the durability you demand. When you know how they're built, you'll run a Deere.

Declare open season on operating costs.

We're pretty open-minded when it comes to keeping uptime up and daily operating costs down. Hinged side shields reveal convenient same-side daily service points, and the front grille tilts forward, simplifying cooler-core cleanout. Other periodic tasks such as fluid and filter changes are quick and convenient, and service intervals have been extended so you can work longer between changes. With our K-Series Dozers, you'll spend less effort and expense getting ready for work — and more time getting work done.



1. Exhaust filter operation and status are indicated with icons and on-screen displays. The diagnostic monitor also provides easy-to-understand messages that help speed troubleshooting.
2. Fluid-sample ports simplify preventative maintenance. Engine, hydraulics, and transmission utilize a common oil, further simplifying service.
3. Vertical filters allow quick, no-spill changes. Available severe-duty fuel filter provides an extra degree of filtration. Includes a heated water separator for cold-weather service.



Courtesy of MachineMarket



Hinged side shields swing open wide for convenient access to dipsticks, fill tubes, batteries, master electrical shutoff, and engine, transmission, and hydraulic filters.

Front grille tilts forward, simplifying cooler-core cleanout. Engine side shields also swing open to provide back-side cooler access.

Large fuel tanks and 500-hour engine-oil, oil-filter, and fuel-filter service intervals let you run longer between fill-ups and maintenance.

Sealed hydraulic and hydrostatic reservoirs are separate, eliminating any possibility of cross-contamination.

Periodic active and passive regeneration automatically oxidizes soot in the diesel particulate filter (DPF) without impacting machine productivity. Ash service intervals for the DPF are condition based, meaning the machine will notify the operator before service is required. Machine application, regular maintenance practices, and type of lubricating oil impact ash service intervals.

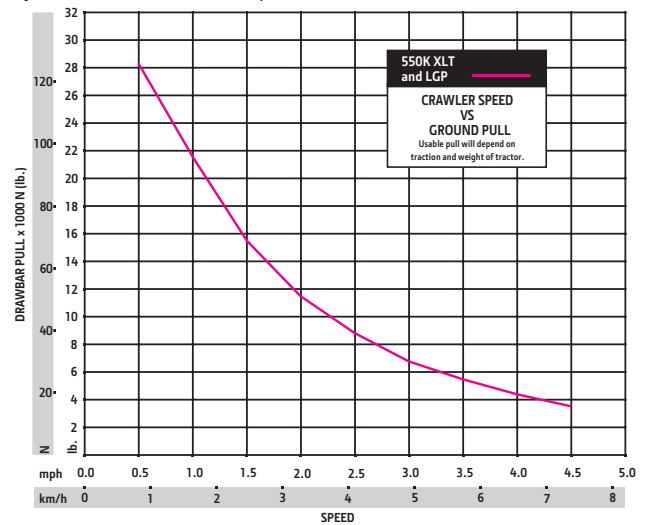
After an operator-determined period of inactivity, auto-shutdown turns off the engine, preserving precious fuel and warranty hours.

Convenient color-coded lube chart ensures that nothing gets overlooked. Remote lube banks provide easy access to C-frame pivots.

Available quick fluid-evacuation system helps speed servicing. 500-hour engine oil and 2,000-hour transmission and hydraulic fluid intervals decrease downtime and expense.

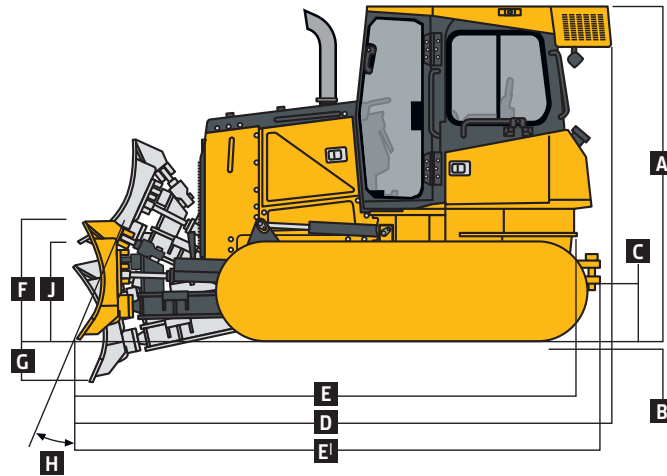
550K

Engine	550K XLT / 550K LGP
Blade Type	Power Angle Tilt (PAT)
Manufacturer and Model	John Deere PowerTech™ PWX 4045
Non-Road Emissions Standard	EPA Interim Tier 4/EU Stage IIIB
Displacement	4.5 L (276 cu. in.)
SAE Net Rated Power	69 kW (92 hp) at 2,200 rpm
Net Peak Torque	375 Nm (276 lb.-ft.) at 1,200 rpm
Aspiration	Turbocharged with charge air cooler
Air Cleaner	Vacuum-aspirated dual-element dry canister
Cooling	
Type	Variable-speed suction fan with optional reversing feature
Engine Coolant Rating	-37 deg. C (-34 deg. F)
Engine Radiator	10 fins per in.
Powertrain	
Transmission	Automatic, dual-path, hydrostatic drive; load-sensing feature automatically adjusts speed and power to match changing load conditions; each individually controlled track is powered by a variable-displacement piston pump and 2-speed motor combination; ground-speed-selection buttons on single-lever steering and direction control; independently selectable reverse-speed ratios of 100%, 115%, or 130% of forward ground speed; decelerator pedal controls ground speed to stop
System Relief Pressure	42 816 kPa (6,210 psi)
Travel Speeds	
Forward and Reverse	8.0 km/h (5.0 mph)
Maximum (optional)	9.7 km/h (6.0 mph)
Steering	Single-lever steering, speed, direction control, and counterrotation; full power turns and infinitely variable track speeds provide unlimited maneuverability and optimum control; hydrostatic steering eliminates steering clutches and brakes
Final Drives	Triple-reduction final drives mounted independently of track frames and dozer push frames for isolation from shock loads
Total Ratio	48.4 to 1
Drawbar Pull	
Maximum	134 kN (30,000 lb.)
At 1.9 km/h (1.2 mph)	80 kN (18,000 lb.)
At 3.2 km/h (2.0 mph)	49 kN (11,000 lb.)
Brakes	
Service	Hydrostatic (dynamic) braking stops the machine whenever direction-control lever is moved to neutral or the decelerator is depressed to the detent
Parking	Exclusive spring-applied, hydraulically released park brake feature engages wet, multiple-disc brakes automatically whenever the engine stops, the operator depresses the decelerator pedal to the brake position, the unit is in neutral for 3 seconds (with detected motion), or the park-lock lever is in the park position; machine cannot be driven with brake applied, minimizing wearout or need for adjustment
Hydraulics	
Type	Open-center hydraulic system with fixed-displacement gear pump
Pump Displacement	26 cc
System Relief Pressure	20 684 kPa (3,000 psi)
Maximum Flow at Unloaded High Idle	57 L/m (15 gpm)
Control	3-function direct-acting T-bar joystick

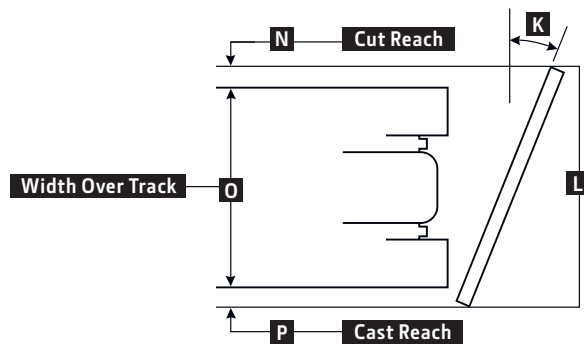
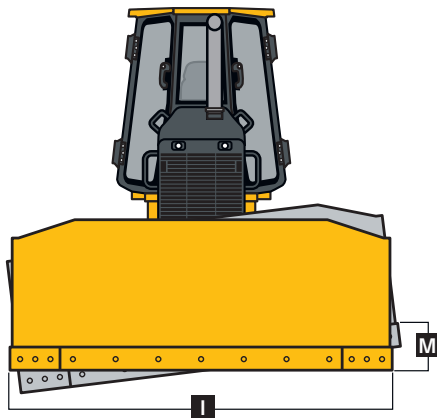




Electrical		550K XLT / 550K LGP	
Voltage	24 volts		
Battery Capacity	950 CCA		
Reserve Capacity	190 min.		
Alternator Rating			
Cab	100 amp		
Canopy	100 amp		
Lights	Grille mounted (2), rear mounted (2), and rear reflectors (2)		
Undercarriage		550K XLT	550K LGP
Blade Type	PAT		PAT
Tracks	John Deere Dura Trax™ features large deep-heat-treated, sealed, and lubricated track links and through-hardened, sealed, and lubricated rollers for maximum wear resistance		
Track Gauge	1549 mm (61 in.)		1753 mm (69 in.)
Grouser Width	457 mm (18 in.)		610 mm (24 in.)
Chain	Sealed and lubricated		Sealed and lubricated
Shoes, Each Side	42 standard; 39 Maximum Life		42 standard; 39 Maximum Life
Track Rollers, Each Side	7		7
Track Length on Ground	2337 mm (92 in.)		2337 mm (92 in.)
Ground Contact Area	21 479 cm ² (3,329 sq. in.)		28 639 cm ² (4,439 sq. in.)
Ground Pressure	39.9 kPa (5.79 psi) standard / 41.2 kPa (5.97 psi) Maximum Life		31.5 kPa (4.57 psi) standard / 32.3 kPa (4.69 psi) Maximum Life
Track Pitch	160 mm (6.3 in.) standard / 171 mm (6.7 in.) Maximum Life		160 mm (6.3 in.) standard / 171 mm (6.7 in.) Maximum Life
Operator Station		550K XLT / 550K LGP	
ROPS (ISO 3471 – 2008) and FOPS (ISO 3449 – 2005)			
Serviceability			
Refill Capacities			
Fuel Tank with Lockable Cap	237 L (62.5 gal.)		
Cooling System with Recovery Tank	22.6 L (6.0 gal.)		
Engine Oil with Filter	19 L (20 qt.)		
Transmission Reservoir with Filter	55.6 L (14.7 gal.)		
Hydraulic Reservoir and Filter	34 L (9.0 gal.)		
Operating Weights		550K XLT	550K LGP
Blade Type	PAT		PAT
<i>Base Weight (with standard equipment, rollover protective structure [ROPS], full fuel tank, and 79-kg [175 lb.] operator)</i>	8750 kg (19,290 lb.)		9195 kg (20,272 lb.)
Optional Components			
Cab with Pressurizer and Heater/Air Conditioner	306 kg (675 lb.)		306 kg (675 lb.)
Heater (ROPS canopy)	39 kg (85 lb.)		39 kg (85 lb.)
Screens			
Front and Door	81 kg (179 lb.)		81 kg (179 lb.)
Rear	34 kg (76 lb.)		34 kg (76 lb.)
Side	43 kg (94 lb.)		43 kg (94 lb.)
Limb Risers (ROPS canopy and cab)	104 kg (229 lb.)		104 kg (229 lb.)
Counterweight			
Front	109 kg (240 lb.)		109 kg (240 lb.)
Rear	150 kg (330 lb.)		150 kg (330 lb.)
Retrieval Hitch	23 kg (50 lb.)		23 kg (50 lb.)
Drawbar, Extended Rigid	33 kg (72 lb.)		33 kg (72 lb.)
Winch	652 kg (1,437 lb.)		652 kg (1,437 lb.)
Fairlead, 4 Roller	85 kg (187 lb.)		85 kg (187 lb.)
Center Chain Guides	40 kg (88 lb.)		40 kg (88 lb.)
Full-Length Rock Guards	128 kg (282 lb.)		128 kg (282 lb.)
Maximum Life Undercarriage	258 kg (569 lb.)		258 kg (569 lb.)
Track Shoes			
457 mm (18 in.)	In base		—
610 mm (24 in.)	—		In base

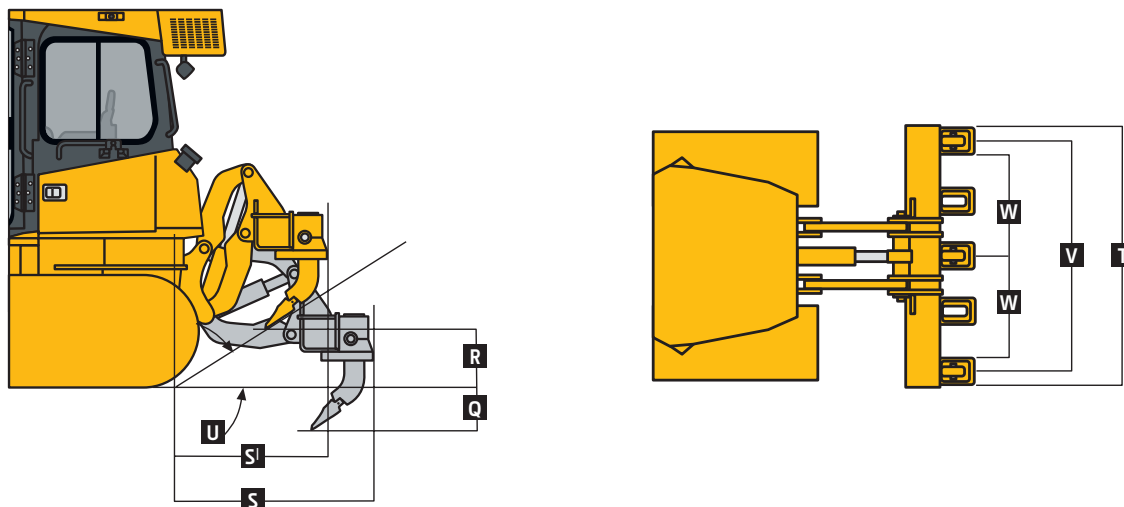
**Blade Type****PAT****PAT**

A Overall Height to Roof	2747 mm (9 ft. 0 in.)	2747 mm (9 ft. 0 in.)
B Tread Depth with Single-Bar Grouser	49 mm (1.9 in.)	49 mm (1.9 in.)
C Ground Clearance in Dirt	389 mm (15.3 in.)	389 mm (15.3 in.)
D Overall Length	4393 mm (14 ft. 4 in.)	4393 mm (14 ft. 4 in.)
E Length with Drawbar, Standard	4128 mm (13 ft. 7 in.)	4128 mm (13 ft. 7 in.)
E ^l Length with Drawbar, Extended	4221 mm (13 ft. 10 in.)	4221 mm (13 ft. 10 in.)
F Blade Lift Height	772 mm (30.4 in.)	772 mm (30.4 in.)
G Blade Digging Depth	523 mm (20.6 in.)	523 mm (20.6 in.)
H Blade Cutting-Edge Angle, Adjustable	52 to 60 deg.	52 to 60 deg.

**Straight**

I Blade Width	2667 mm (105 in.)	2921 mm (115 in.)
J Blade Height	955 mm (3 ft. 2 in.)	955 mm (3 ft. 2 in.)
SAE Capacity	1.8 m ³ (2.4 cu. yd.)	2.0 m ³ (2.6 cu. yd.)
Weight	603 kg (1,330 lb.)	628 kg (1,385 lb.)
C-Frame Assembly Weight (without blade)	399 kg (879 lb.)	399 kg (879 lb.)
K Blade Angle	22.2 deg.	22.2 deg.
L Overall Width with Blade Angled	2469 mm (8 ft. 1 in.)	2705 mm (8 ft. 11 in.)
M Blade Tilt (uses tilt jack)	363 mm (14.3 in.)	399 mm (15.7 in.)
N Cut Reach	117 mm (4.6 in.)	56 mm (2.2 in.)
O Width Over Track	2007 mm (6 ft. 7 in.)	2362 mm (7 ft. 9 in.)
P Cast Reach	345 mm (18.3 in.)	287 mm (11 in.)

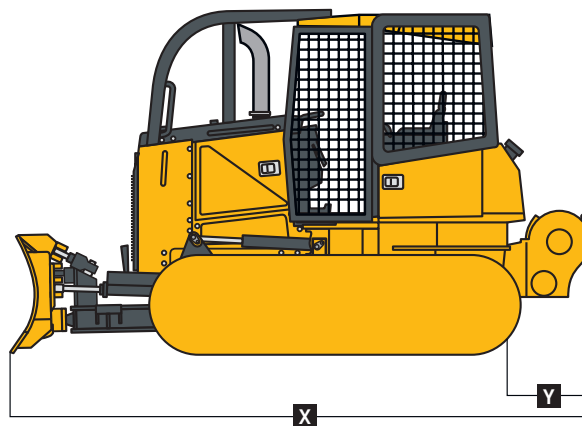
Machine Dimensions (continued)	550K XLT	550K LGP
Blade Type	PAT	PAT
Straight (option)		
I Blade Width	2921 mm (115 in.)	3150 mm (124 in.)
J Blade Height	955 mm (3 ft. 2 in.)	894 mm (35 in.)
SAE Capacity	2.0 m ³ (2.6 cu. yd.)	1.9 m ³ (2.5 cu. yd.)
Weight	628 kg (1,385 lb.)	631 kg (1,391 lb.)
C-Frame Assembly Weight (without blade)	399 kg (879 lb.)	399 kg (879 lb.)
K Blade Angle	22.2 deg.	22.2 deg.
L Overall Width with Blade Angled	2705 mm (8 ft. 11 in.)	2916 mm (9 ft. 7 in.)
M Blade Tilt (uses tilt jack)	399 mm (15.7 in.)	429 mm (16.9 in.)
N Cut Reach	234 mm (9.2 in.)	163 mm (6.4 in.)
O Width Over Track	2007 mm (6 ft. 7 in.)	2464 mm (8 ft. 1 in.)
P Cast Reach	465 mm (18.3 in.)	391 mm (15.4 in.)
Rear Ripper		
	550K XLT / 550K LGP	



Heavy-duty parallelogram ripper, 5 shank pockets with 3 teeth

Weight	981 kg (2,163 lb.)
Q Maximum Penetration	508 mm (20 in.)
R Maximum Clearance Under Tip	508 mm (20 in.)
S Overall Length, Lowered Position	1450 mm (57 in.)
SI Overall Length, Raised Position	1015 mm (40 in.)
T Overall Beam Width	1830 mm (6 ft. 0 in.)
U Slope Angle (full raise)	40 deg.
V Ripping Width	1670 mm (5 ft. 6 in.)
W Distance Between Shanks	806 mm (32 in.)

4000S Winch

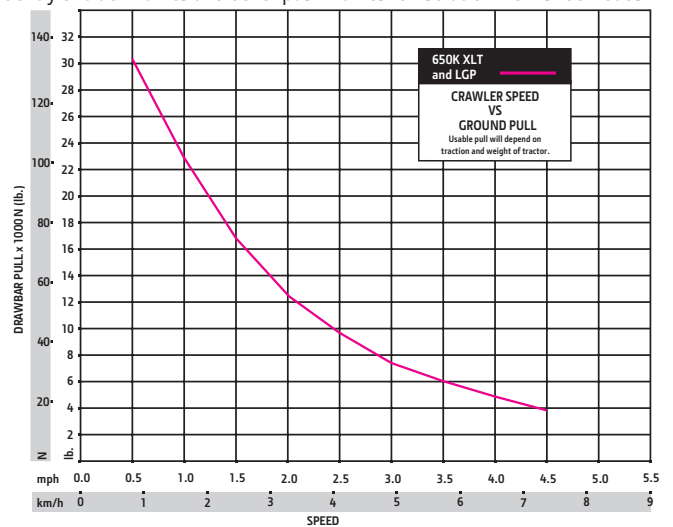


X Overall Length with Winch	4807 mm (15 ft. 9 in.)
Y Winch Length	660 mm (26 in.)

650K

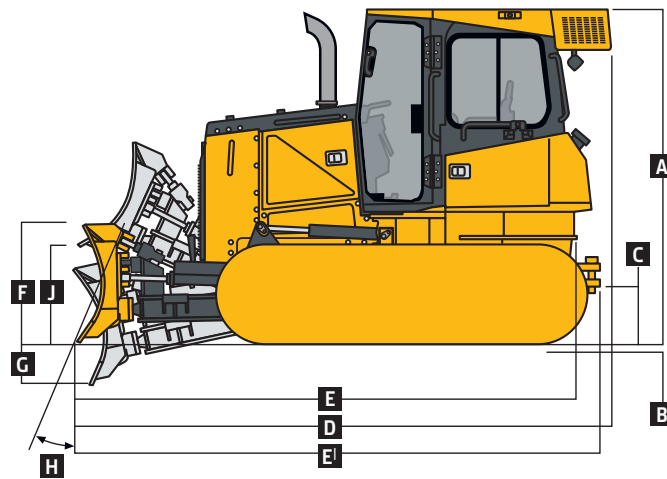


Engine	650K XLT / 650K LGP
Blade Type	Power Angle Tilt (PAT)
Manufacturer and Model	John Deere PowerTech™ PWX 4045
Non-Road Emissions Standard	EPA Interim Tier 4/EU Stage IIIB
Displacement	4.5 L (276 cu. in.)
SAE Net Rated Power	78 kW (104 hp) at 2,200 rpm
Net Peak Torque	448 Nm (330 lb.-ft.) at 1,200 rpm
Aspiration	Turbocharged with charge air cooler
Air Cleaner	Vacuum-aspirated dual-element dry canister
Cooling	
Type	Variable-speed suction fan with optional reversing feature
Engine Coolant Rating	-37 deg. C (-34 deg. F)
Engine Radiator	10 fins per in.
Powertrain	
Transmission	Automatic, dual-path, hydrostatic drive; load-sensing feature automatically adjusts speed and power to match changing load conditions; each individually controlled track is powered by a variable-displacement piston pump and 2-speed motor combination; ground-speed-selection buttons on single-lever steering and direction control; independently selectable reverse-speed ratios of 100%, 115%, or 130% of forward ground speed; decelerator pedal controls ground speed to stop
System Relief Pressure	44 470 kPa (6,450 psi)
Travel Speeds	
Forward and Reverse	8.0 km/h (5.0 mph)
Maximum (optional)	9.7 km/h (6.0 mph)
Steering	Single-lever steering, speed, direction control, and counterrotation; full power turns and infinitely variable track speeds provide unlimited maneuverability and optimum control; hydrostatic steering eliminates steering clutches and brakes
Final Drives	Triple-reduction final drives mounted independently of track frames and dozer push frames for isolation from shock loads
Total Ratio	52.13 to 1
Drawbar Pull	
Maximum	148 kN (33,600 lb.)
At 1.9 km/h (1.2 mph)	98 kN (22,000 lb.)
At 3.2 km/h (2.0 mph)	62 kN (14,000 lb.)
Brakes	
Service	Hydrostatic (dynamic) braking stops the machine whenever direction-control lever is moved to neutral or the decelerator is depressed to the detent
Parking	Exclusive spring-applied, hydraulically released park brake feature engages wet, multiple-disc brakes automatically whenever the engine stops, the operator depresses the decelerator pedal to the brake position, the unit is in neutral for 3 seconds (with detected motion), or the park-lock lever is in the park position; machine cannot be driven with brake applied, minimizing wearout or need for adjustment
Hydraulics	
Type	Open-center hydraulic system with fixed-displacement gear pump
Pump Displacement	26 cc
System Relief Pressure	20 684 kPa (3,000 psi)
Maximum Flow at Unloaded High Idle	57 L/m (15 gpm)
Control	3-function direct-acting T-bar joystick

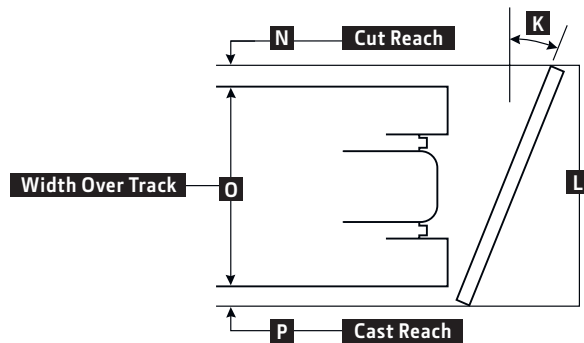
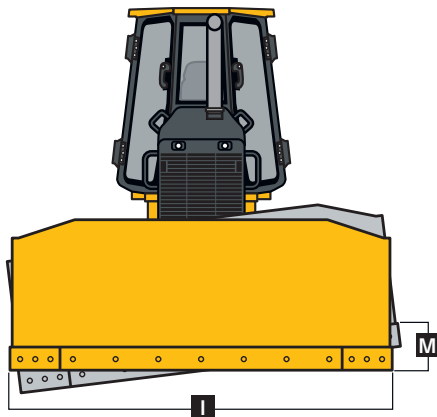




Electrical		650K XLT / 650K LGP	
Voltage	24 volts		
Battery Capacity	950 CCA		
Reserve Capacity	190 min.		
Alternator Rating			
Cab	100 amp		
Canopy	100 amp		
Lights	Grille mounted (2), rear mounted (2), and rear reflectors (2)		
Undercarriage		650K XLT	650K LGP
Blade Type	PAT		PAT
Tracks	John Deere Dura Trax™ features large deep-heat-treated, sealed, and lubricated track links and through-hardened, sealed, and lubricated rollers for maximum wear resistance		
Track Gauge	1550 mm (61 in.)		1750 mm (69 in.)
Grouser Width	457 mm (18 in.)		711 mm (28 in.)
Chain	Sealed and lubricated		Sealed and lubricated
Shoes, Each Side	40 standard; 40 Maximum Life		40 standard; 40 Maximum Life
Track Rollers, Each Side	7		7
Track Length on Ground	2337 mm (92 in.)		2337 mm (92 in.)
Ground Contact Area	21 479 cm ² (3,329 sq. in.)		33 412 cm ² (5,179 sq. in.)
Ground Pressure	40.6 kPa (5.89 psi) standard / 41.4 kPa (6.00 psi) Maximum Life		27.5 kPa (3.98 psi) standard / 28.0 kPa (4.06 psi) Maximum Life
Track Pitch	171 mm (6.7 in.)		171 mm (6.7 in.)
Operator Station		650K XLT / 650K LGP	
ROPS (ISO 3471 – 2008) and FOPS (ISO 3449 – 2005)			
Serviceability			
Refill Capacities			
Fuel Tank with Lockable Cap	237 L (62.5 gal.)		
Cooling System with Recovery Tank	22.6 L (6.0 gal.)		
Engine Oil with Filter	19 L (20 qt.)		
Transmission Reservoir with Filter	55.6 L (14.7 gal.)		
Hydraulic Reservoir and Filter	34 L (9.0 gal.)		
Operating Weights		650K XLT	650K LGP
Blade Type	PAT		PAT
<i>Base Weight (with standard equipment, rollover protective structure [ROPS], full fuel tank, and 79-kg [175 lb.] operator)</i>	8890 kg (19,599 lb.)		9355 kg (20,624 lb.)
Optional Components			
Cab with Pressurizer and Heater/Air Conditioner	306 kg (675 lb.)		306 kg (675 lb.)
Heater (ROPS canopy)	39 kg (85 lb.)		39 kg (85 lb.)
Screens			
Front and Door	81 kg (179 lb.)		81 kg (179 lb.)
Rear	34 kg (76 lb.)		34 kg (76 lb.)
Side	43 kg (94 lb.)		43 kg (94 lb.)
Limb Risers (ROPS canopy and cab)	104 kg (229 lb.)		104 kg (229 lb.)
Counterweight			
Front	109 kg (240 lb.)		109 kg (240 lb.)
Rear	150 kg (330 lb.)		150 kg (330 lb.)
Retrieval Hitch	23 kg (50 lb.)		23 kg (50 lb.)
Drawbar, Extended Rigid	33 kg (72 lb.)		33 kg (72 lb.)
Winch	652 kg (1,437 lb.)		652 kg (1,437 lb.)
Fairlead, 4 Roller	85 kg (187 lb.)		85 kg (187 lb.)
Center Chain Guides	41 kg (90 lb.)		41 kg (90 lb.)
Full-Length Rock Guards	98 kg (216 lb.)		98 kg (216 lb.)
Maximum Life Undercarriage	182 kg (400 lb.)		182 kg (400 lb.)
Track Shoes			
457 mm (18 in.)	In base		—
510 mm (20 in.)	83 kg (183 lb.)		–344 kg (–760 lb.)
610 mm (24 in.)	—		–172 kg (–380 lb.)
710 mm (28 in.)	—		In base

**Blade Type****PAT****PAT**

A Overall Height to Roof	2758 mm (9 ft. 1 in.)	2758 mm (9 ft. 1 in.)
B Tread Depth with Single-Bar Grouser	49 mm (1.9 in.)	49 mm (1.9 in.)
C Ground Clearance in Dirt	391 mm (15.4 in.)	391 mm (15.4 in.)
D Overall Length	4393 mm (14 ft. 4 in.)	4393 mm (14 ft. 4 in.)
E Length with Drawbar, Standard	4179 mm (13 ft. 9 in.)	4179 mm (13 ft. 9 in.)
E' Length with Drawbar, Extended	4235 mm (13 ft. 11 in.)	4235 mm (13 ft. 11 in.)
F Blade Lift Height	818 mm (32.2 in.)	818 mm (32.2 in.)
G Blade Digging Depth	500 mm (19.7 in.)	500 mm (19.7 in.)
H Blade Cutting-Edge Angle, Adjustable	52 to 60 deg.	52 to 60 deg.

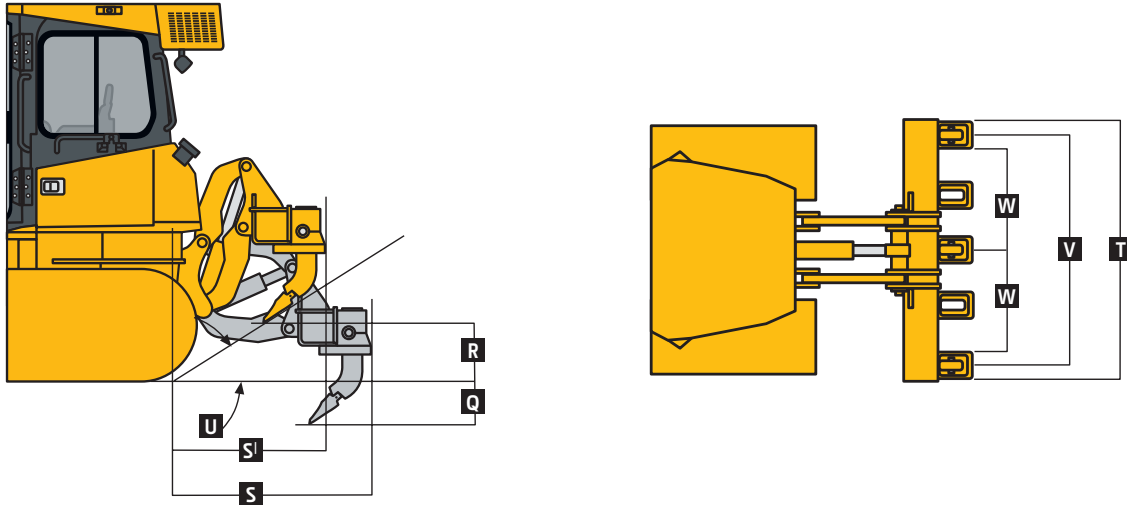
**Straight**

I Blade Width	2667 mm (105 in.)	2921 mm (115 in.)
J Blade Height	1067 mm (3 ft. 6 in.)	955 mm (3 ft. 2 in.)
SAE Capacity	2.2 m ³ (2.9 cu. yd.)	2.0 m ³ (2.6 cu. yd.)
Weight	603 kg (1,330 lb.)	628 kg (1,385 lb.)
C-Frame Assembly Weight (without blade)	399 kg (879 lb.)	399 kg (879 lb.)
K Blade Angle	22.2 deg.	22.2 deg.
L Overall Width with Blade Angled	2469 mm (8 ft. 1 in.)	2705 mm (8 ft. 11 in.)
M Blade Tilt (uses tilt jack)	363 mm (14.3 in.)	399 mm (15.7 in.)
N Cut Reach	117 mm (4.6 in.)	5 mm (0.2 in.)
O Width Over Track	2007 mm (6 ft. 7 in.)	2464 mm (8 ft. 1 in.)
P Cast Reach	345 mm (13.6 in.)	236 mm (9.3 in.)

Straight (option)

I Blade Width	2921 mm (115 in.)	3150 mm (124 in.)
J Blade Height	955 mm (3 ft. 2 in.)	894 mm (35 in.)
SAE Capacity	2.0 m ³ (2.6 cu. yd.)	1.9 m ³ (2.5 cu. yd.)
Weight	628 kg (1,385 lb.)	631 kg (1,391 lb.)
C-Frame Assembly Weight (without blade)	399 kg (879 lb.)	399 kg (879 lb.)
K Blade Angle	22.2 deg.	22.2 deg.
L Overall Width with Blade Angled	2705 mm (8 ft. 11 in.)	2916 mm (9 ft. 7 in.)
M Blade Tilt (uses tilt jack)	399 mm (15.7 in.)	429 mm (16.9 in.)
N Cut Reach	234 mm (9.2 in.)	112 mm (4.4 in.)
O Width Over Track	2007 mm (6 ft. 7 in.)	2464 mm (8 ft. 1 in.)
P Cast Reach	465 mm (18.3 in.)	340 mm (13.4 in.)

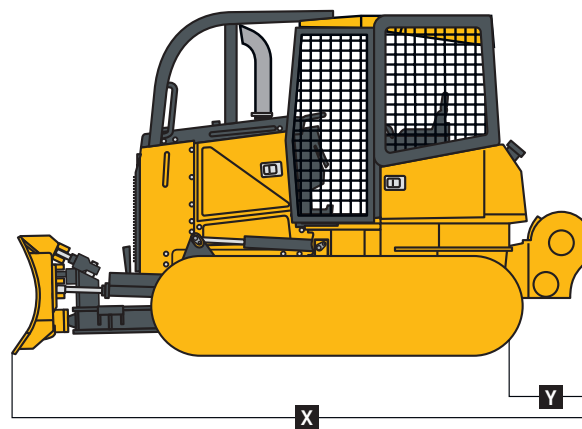
Machine Dimensions (continued)	650K XLT	650K LGP
Blade Type	PAT	PAT
Straight (option)		
I Blade Width	3150 mm (124 in.)	3251 mm (128 in.)
J Blade Height	894 mm (35 in.)	955 mm (3 ft. 2 in.)
SAE Capacity	1.9 m ³ (2.5 cu. yd.)	2.2 m ³ (2.9 cu. yd.)
Weight	631 kg (1,391 lb.)	694 kg (1,530 lb.)
C-Frame Assembly Weight (without blade)	399 kg (879 lb.)	399 kg (879 lb.)
K Blade Angle	22.2 deg.	22.2 deg.
L Overall Width with Blade Angled	2916 mm (9 ft. 7 in.)	3010 mm (9 ft. 11 in.)
M Blade Tilt (uses tilt jack)	429 mm (16.9 in.)	445 mm (17.5 in.)
N Cut Reach	340 mm (13.4 in.)	157 mm (6.2 in.)
O Width Over Track	2007 mm (6 ft. 7 in.)	2464 mm (8 ft. 1 in.)
P Cast Reach	569 mm (22.4 in.)	569 mm (22.4 in.)
Rear Ripper		
	650K XLT / 650K LGP	



Heavy-duty parallelogram ripper, 5 shank pockets with 3 teeth

Weight	981 kg (2,163 lb.)
Q Maximum Penetration	508 mm (20 in.)
R Maximum Clearance Under Tip	508 mm (20 in.)
S Overall Length, Lowered Position	1450 mm (57 in.)
S' Overall Length, Raised Position	1015 mm (40 in.)
T Overall Beam Width	1830 mm (6 ft. 0 in.)
U Slope Angle (full raise)	40 deg.
V Ripping Width	1670 mm (5 ft. 6 in.)
W Distance Between Shanks	806 mm (32 in.)

4000S Winch



X Overall Length with Winch	4807 mm (15 ft. 9 in.)
Y Winch Length	660 mm (26 in.)

Additional equipment

Key: ● Standard ▲ Optional or special

*See your John Deere dealer for further information.

550K XLT	550K LGP	650K XLT	650K LGP	Engine
●	●	●	●	Meets EPA Interim Tier 4/EU Stage IIIB emissions
●	●	●	●	Electronic control with automatic engine protection
●	●	●	●	Dual safety element dry-type air cleaner, evacuator valve
●	●	●	●	Exhaust filter, under hood, with vertical stack
●	●	●	●	Engine glow-plug starting system
●	●	●	●	Programmable auto engine shutdown
●	●	●	●	Automatic turbo cool-down timer
●	●	●	●	Environmental service drains
●	●	●	●	Wet-sleeve cylinder liners
●	●	●	●	Remote-mounted fuel filters with automatic electronic priming
▲	▲	▲	▲	Engine coolant heater, 110 volts
▲	▲	▲	▲	Engine coolant heater, fuel fired
▲	▲	▲	▲	Chrome exhaust
▲	▲	▲	▲	Fluid-sample valves
▲	▲	▲	▲	Quick-service ports
▲	▲	▲	▲	Severe-duty 400-mL (13.5 oz.) fuel filter and water separator with heating element
Cooling				
●	●	●	●	Tilt-out cooling fan, hydraulically driven, variable-speed suction type
▲	▲	▲	▲	Automatic, programmable reversing-fan-drive fan
●	●	●	●	Enclosed safety fan guard (conforms to SAE J1308 and ISO3457)
●	●	●	●	Perforated engine side shields
●	●	●	●	Heavy-duty tilt-out bar-type grille
●	●	●	●	Heavy-duty, trash-resistant radiator and high-ambient cooling package
▲	▲	▲	▲	Extreme-duty tilt-out grille
Transmission				
●	●	●	●	Remote diagnostic test ports
●	●	●	●	Automatic cold-weather transmission warmup system
●	●	●	●	Automatic transmission derating for exceeded system temperatures
●	●	●	●	Environmental service drains
●	●	●	●	Sealed dedicated transmission reservoir and filtration system separate from hydraulic system

550K XLT	550K LGP	650K XLT	650K LGP	Transmission (continued)
●	●	●	●	2,000-hour vertical spin-on transmission filter
Hydraulic System				
●	●	●	●	3-function hydraulics
●	●	●	●	Sealed dedicated hydraulic reservoir and filtration system separate from transmission system
●	●	●	●	2,000-hour vertical spin-on hydraulic filter
▲	▲	▲	▲	4-function hydraulics with rear plumbing
▲	▲	▲	▲	Drive-through hydraulic pump for use with winch
▲	▲	▲	▲	Integrated Grade Control (IGC)
Mainframe, Access Panels				
●	●	●	●	Front tow loop
●	●	●	●	Reinforced engine and mid-frame bottom guards
●	●	●	●	Integral transmission guard
●	●	●	●	Vandal protection: Engine access door / Side tank access doors / Fuel tank / Instrument panel / Transmission reservoir / Hydraulic reservoir
Attachments				
▲	▲	▲	▲	Counterweight, front, 109 kg (240 lb.)
▲	▲	▲	▲	Counterweight, rear, 150 kg (330 lb.)
▲	▲	▲	▲	Retrieval hitch with pin
▲	▲	▲	▲	Extended rigid drawbar with pin for pull-type implements
▲	▲	▲	▲	Drawbar, extended for winch (with or without fairlead)
▲	▲	▲	▲	Ripper, parallelogram with 5 shank pockets and 3 teeth
▲	▲	▲	▲	Winch, John Deere 4000S, power in/free spool out OR power out
▲	▲	▲	▲	4-roller fairlead for winch
▲	▲	▲	▲	Root-rake blade attachment
▲	▲	▲	▲	Rear-mounted toolbox
▲	▲	▲	▲	Trimble®-ready interface package
▲	▲	▲	▲	Topcon-ready interface package
▲	▲	▲	▲	Leica-ready interface package
Undercarriage				
●	●	●	●	Full-length, smooth-surface track frame covers
●	●	●	●	Chain guides, front and rear
▲	▲	▲	▲	Center track chain guide
●	●	●	●	Double-flange rollers
●	▲	●	▲	457-mm (18 in.) moderate-service shoes

550K XLT	550K LGP	650K XLT	650K LGP	Undercarriage (continued)
		▲	▲	510-mm (20 in.) moderate-service shoes with clipped corners
	●		▲	610-mm (24 in.) moderate-service shoes
			●	710-mm (28 in.) moderate-service shoes with clipped corners
●	●	●	●	Maximum Life Undercarriage System
▲	▲	▲	▲	Heavy-duty sealed and lubricated undercarriage
▲	▲	▲	▲	Full-length rock guards
Canopy Cab Operator's Station / Electrical				
●	●			Retractable seat belts, 76 mm (3 in.) (conform to SAE J386)
●	●			Convex interior rearview mirror, 102-mm (4 in.) tall, 203-mm (8 in.) wide (conforms to SAE J985)
●	●			Power port, 12 volts, 10 amps
●	●			Lockable dash-mounted storage compartment
●	●			Cup holders (2)
	●			Air conditioner, 24,000 Btu
	●			Tinted glass
	●			Dome light
	●			Heater (roof mount)
	●			Wipers (intermittent plus 2 speeds) and washers – front window, left and right doors
	▲			Rear wiper and washer
●				Air-ride vinyl seat
	●			Air-ride fabric seat
	▲			Deluxe heated and leather-bolstered air-ride seat
▲	●			Under-seat heater
	●			AM/FM, weather-band radio, clock, and MP3 player front plug-in
	●			Radio-area storage slot with power port
●	●			Sealed alternator, 100 amps
●	●			Lockable master electrical disconnect switch
●	●			Multi-function/multi-language LCD monitor: Analog display (fuel level, coolant temperature, and engine oil pressure) / Digital display (engine rpm, charge pressure, hours, DPF soot level, and transmission direction/speed range)
●	●			Built-in diagnostics: Diagnostic-code details / Sensor values / Calibrations / Individual circuit tester
●	●			Keyless start with multiple security modes
●	●			Battery, dual, 24 volts
●	●			Lights, grille mounted (2), rear mounted (2)
▲	▲			Work lights, roof mounted (2)
▲	▲			Engine compartment light
●	●			JDLink™ Ultimate wireless communication system (available in specific countries; see your dealer for details)



Net engine power is with standard equipment including air cleaner, exhaust system, alternator, and cooling fan at test conditions specified per ISO9249. Specifications and design subject to change without notice. Wherever applicable, specifications are in accordance with SAE standards. Except where otherwise noted, these specifications are based on a unit with standard equipment, rollover protective structure (ROPS), full fuel tank, and 79-kg (175 lb.) operator.

JohnDeere.com