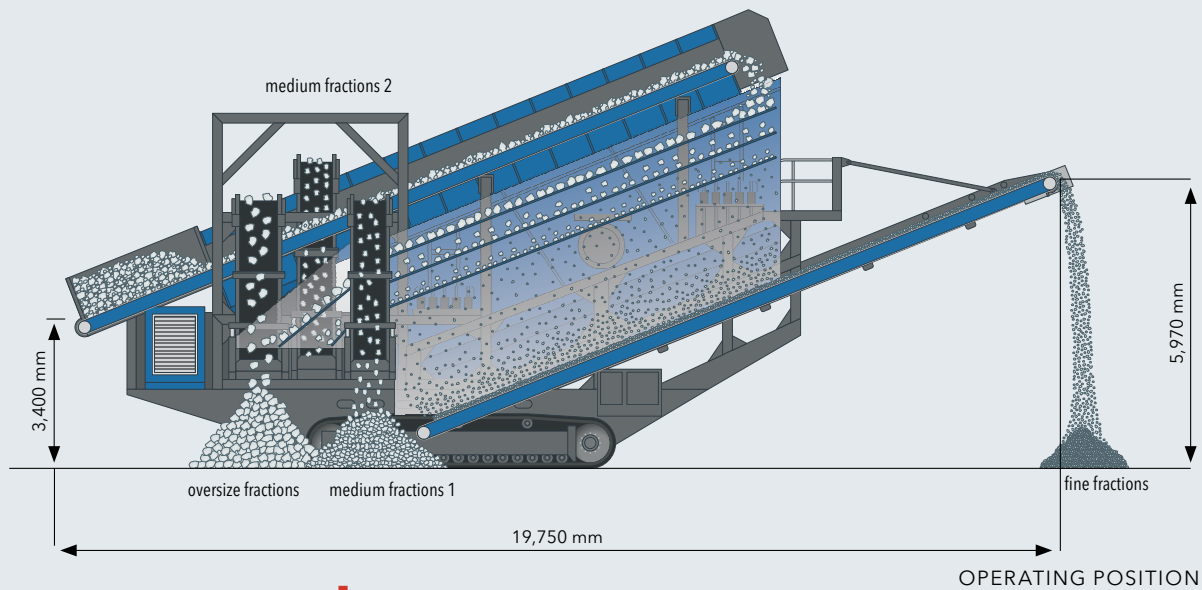


TECHNICAL SPECIFICATIONS | TRACK-MOUNTED SCREENING PLANT

MOBISCREEN MS 23 D





TECHNICAL HIGHLIGHTS

- ▣ Triple-deck screening unit
- ▣ Diesel-electric drive
- ▣ Classifying screen for four final products
- ▣ Max. feed size: 200 mm

TECHNICAL SPECIFICATIONS MS 23 D

Feeding unit

Feed capacity up to approx. (t/h)	800
Feed size max. (mm)	200
Feed height (mm)	3,400

Belt conveyor feeder

Width x length (mm)	1,800 x 14,000
---------------------	----------------

Screening unit

Type	triple-deck vibration screen
Width x length (mm)	2,300 x 8,000

Bottom deck underflow discharge conveyor (fine fractions)

Width x length (mm)	1,800 x 14,000
Discharge height approx. (mm)	5,970

Belt conveyor screen overflow (bottom deck)

Width x length (mm)	800 x 3,800
---------------------	-------------

Bottom deck overflow discharge conveyor (medium fractions 1)

Width x length (mm)	800 x 10,000
Discharge height approx. (mm)	4,390

Belt conveyor screen overflow (middle deck)

Width x length (mm)	800 x 3,800
---------------------	-------------

Middle deck overflow discharge conveyor (medium fractions 2)

Width x length (mm)	800 x 10,000
Discharge height approx. (mm)	4,390

Belt conveyor oversize grain

Width x length (mm)	1,000 x 3,800
---------------------	---------------

Top deck overflow discharge conveyor (oversize fractions)

Width x length (mm)	1,000 x 10,000
Discharge height approx. (mm)	4,390

Drive

Drive concept	diesel-electric
Powerpack Scania (Tier 3 / Stage IIIA) (kW)	226
Generator (kVA)	250

Weight

Operating weight approx. (kg)	85,000
Machine dismantled for transport	