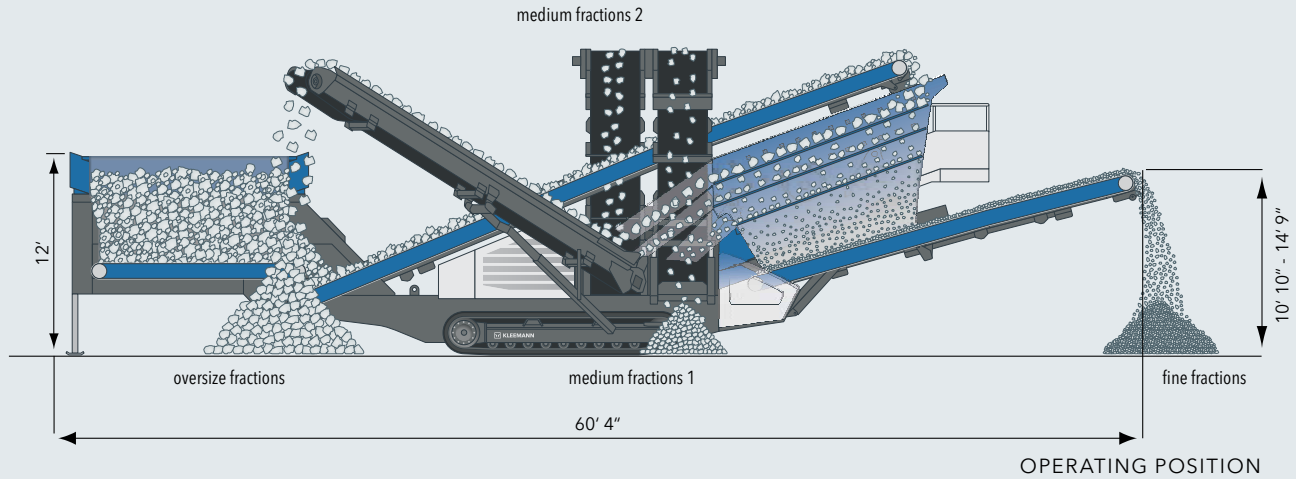




TECHNICAL SPECIFICATIONS | TRACK-MOUNTED SCREENING PLANT

MOBISCREEN MS 703 EVO





TECHNICAL HIGHLIGHTS

- Triple-deck screening unit
- Diesel-hydraulic drive
- Classifying screen
- Max. feed size: 6"

TECHNICAL SPECIFICATIONS MS 703 EVO - US SPEC

Feeding unit

Feed capacity up to approx. (US t/h)	386
Feed size max. (inch)	6" x 6"
Feed height - foldable slotted grate (inch)	12'
Hopper capacity (yd ³)	10.5

Hopper discharge conveyor

Width x length (inch)	4' x 11' 6"
-----------------------	-------------

Feeding conveyor

Width x length (inch)	4' x 34' 1"
-----------------------	-------------

Screening unit

Type	triple-deck vibration screen
Width x length (inch)	5' 1" x 14' 9"

Main discharge conveyor

Width x length (inch)	4' x 21' 8"
Discharge height approx. (inch)	10' 10" - 14' 9"

Side conveyor right hand side

Width x length (inch)	2' 2" x 33' 6"
Discharge height approx. (inch)	16' 5"

Side conveyor left hand side

Width x length (inch)	2' 2" x 33' 6"
Discharge height approx. (inch)	16' 5"

Transfer conveyor

Width x length (inch)	2' 2" x 5' 11"
-----------------------	----------------

Oversize conveyor

Width x length (inch)	1' 8" x 29' 2"
Discharge height approx. (inch)	16' 1"

Drive

Drive concept	diesel-hydraulic
MS 703: Deutz (Tier 3/Stage IIIA) (hp)	100
MS 703i: Deutz (Tier 4f/Stage IV) (hp)	100

Transport

Transport height approx. (inch)	11' 2"
Transport length approx. (inch)	55'
Transport width approx. (inch)	10' 6"
Transport weight approx. (lbs)	72,750