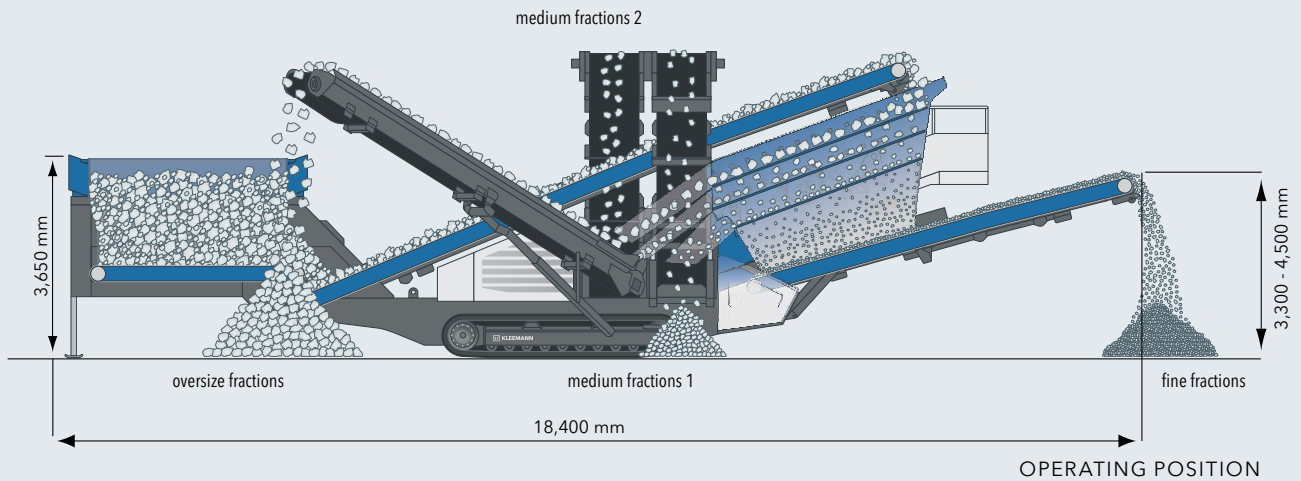


TECHNICAL SPECIFICATIONS | TRACK-MOUNTED SCREENING PLANT

MOBISCREEN MS 703 EVO





TECHNICAL HIGHLIGHTS

- Triple-deck screening unit
- Diesel-hydraulic drive
- Classifying screen
- Max. feed size: 150 mm

TECHNICAL SPECIFICATIONS MS 703 EVO

Feeding unit

Feed capacity up to approx. (t/h)	350
Feed size max. (mm)	150 x 150
Feed height - foldable slotted grate (mm)	3,650
Hopper capacity (m³)	8

Hopper discharge conveyor

Width x length (mm)	1,200 x 3,500
---------------------	---------------

Feeding conveyor

Width x length (mm)	1,200 x 10,400
---------------------	----------------

Screening unit

Type	triple-deck vibration screen
Width x length (mm)	1,550 x 4,500

Main discharge conveyor

Width x length (mm)	1,200 x 6,600
Discharge height approx. (mm)	3,300 - 4,500

Side conveyor right hand side

Width x length (mm)	650 x 10,200
Discharge height approx. (mm)	5,000

Side conveyor left hand side

Width x length (mm)	650 x 10,200
Discharge height approx. (mm)	5,000

Transfer conveyor

Width x length (mm)	650 x 1,800
---------------------	-------------

Oversize conveyor

Width x length (mm)	500 x 8,900
Discharge height approx. (mm)	4,900

Drive

Drive concept	diesel-hydraulic
MS 703: Deutz (Tier 3/Stage IIIA) (kW)	75
MS 703i: Deutz (Tier 4f/Stage IV) (kW)	75

Transport

Transport height approx. (mm)	3,400
Transport length approx. (mm)	16,750
Transport width approx. (mm)	3,200
Transport weight approx. (kg)	33,000